



EON PLUS 20''

Fuel Effect Options:

Coal Effect

Pebble Effect

Beachcomber Effect

Shoreline Effect

All available on NG & LPG

Control Options:

Upgradeable Manual Control

Remote Control (Response-S)

Optimum Control

Trim Switch Control

Total Control

For use on Natural Gas (G20) at a supply pressure of 20mbar
or Propane (G31) at a supply pressure of 37mbar in GB and IE
(Dependent upon model)

**Users,
Installation & Servicing
Instructions**

MUST BE LEFT WITH THE USER

Manufacturer Contact Details:

Burley Appliances Ltd
Lands End Way
Oakham, Rutland, LE15 6RB

Tel: +44 (0)1572 725570
Fax: +44 (0)1572 724390

General E-Mail: info@magiglo.co.uk
Web Site: www.magiglo.co.uk
Technical Support: Direct Dial on **(01572) 725570** or email: **technical@magiglo.co.uk**

Magiglo Document Number:

MF455.2 cas

Revision Date:

3rd April 2010

Copyright:

This documentation is copyrighted by Magiglo Ltd. ©2010

No part of this document may be copied, photocopied or reproduced in any form or by any means without permission in writing from Burley Magiglo Ltd.

Magiglo is a registered trademark of Burley Appliances Ltd

Service Warranty:

In the unlikely event of a defect in materials or workmanship occurring within one year of purchase, Magiglo will arrange to repair or replace the item free of charge.

Any claims under this warranty must be made through the retailer from whom the product was purchased.

As the purchaser's contract of sale is with the retailer, Magiglo are unable to enter into discussions with the purchaser until the retailer has inspected any claim and deemed it to be valid.

Magiglo reserve the right to refuse service or make a charge for any service call, when a defect is due to installation error or misuse.

Extended warranty (if purchased) commences after the first year; please see separate registration for further information.

Appliance Details:

For future reference, please complete the following information at the time of installation.

Model and **Serial Number** details may be found on the data plate as shown.

Serial Number	
Model	
Installation Date	
Installed By	

Model

Serial
Number

Contents

1. GENERAL INFORMATION	1
1.1. Important Note About ODS Pilot	2
2. USER INSTRUCTIONS	3
2.1. Lighting Procedure	3
2.1.1. Opening and Closing the Quartz Fascia	4
2.1.2. Lighting Procedure (Upgradeable Manual Control)	5
2.1.3. Lighting Procedure (Remote Control)	6
2.1.4. Lighting Procedure (Optimum Control and Trim Switch Control).....	7
2.1.5. Lighting Procedure (Total Control).....	8
2.1.6. Manual Operation (Total Control)	9
2.2. Battery Replacement (Remote Control & Total Control)	10
2.2.1. Handset.....	10
2.2.2. Receiver Unit	10
2.3. Battery Replacement (Optimum Control)	11
2.4. Battery Replacement (Trim Switch Control).....	11
2.5. Fuel Effect Layout	12
2.5.1. Coal Effect Layout.....	13
2.5.2. Pebble Effect Layout.....	14
2.5.3. Beachcomber Effect & Shoreline Effect Layout	16
2.6. Home Improvements	18
2.7. Cleaning and Care Instructions	19
2.7.1. Cleaning the Fire-Bed with Imitation Fuel Effect.....	19
2.7.2. Cleaning the Pilot.....	20
2.7.3. Cleaning the Fire Back.....	20
2.7.4. Painted Metal Surfaces.....	20
2.7.5. Care of Ceramic Backs	20
3. INSTALLATION INSTRUCTIONS	21
3.1. General Safety Requirements	21
3.2. Flue Requirements	21
3.2.1. Masonry Flue	21
3.3. General Dimensions.....	22
3.4. Technical Data	22
3.5. Burner Tray Layouts.....	23
3.6. Appliance Location	24
3.6.1. Fireplace Openings.....	25
3.6.2. Physical Barrier.....	26
3.7. Ventilation.....	28
3.8. Contents Checklist	28
3.9. Installation Procedure.....	29
3.9.1. Preparing the Firebox	29
3.9.2. Preparing the Fireplace Opening (all models)	30
3.9.3. Installing the Firebox (all models)	31
3.9.4. Connecting the Gas Supply	32
3.9.5. Installation of Quartz Fascia Pack (Eon Plus).....	33
3.9.6. Continuation of Installation - Remote Control Model	34
3.9.7. Continuation of Installation - Optimum Control Model	35
3.9.8. Continuation of Installation - Trim Switch Control Model	36
3.9.9. Continuation of Installation – Total Control.....	36
3.9.10. Commissioning	37
3.9.11. Checking for Spillage.....	38
3.9.12. Instructing the User.....	38

4. SERVICING INSTRUCTIONS	39
4.1. General Requirements	39
4.2. Servicing Instructions	39
4.3. Replacing Parts	40
4.3.1. Pilot Assembly Replacement	40
4.3.2. Injector Replacement	40
4.3.3. Control Valve Replacement (Mertik GV34).....	41
4.3.4. Motor Replacement (Remote/Optimum/Trim Switch Control).....	42
4.3.5. Replacing Mertik GV60 Valve (Total Control).....	43
4.3.6. Replacing the Receiver (Total Control Model).....	43
4.3.7. Programming Handset to Receiver (Total Control).....	43
4.3.8. Replacing the Ceramic Back and Sides	44
4.4. Installation and Operational Troubleshooting.....	45

1. GENERAL INFORMATION

Introduction

1. This appliance is suitable for installation in GB and IE and should be installed in accordance with the rules in force.

In GB, the installation must be carried out by a Gas Safe Registered Installer registered for working on this type of appliance. It must be carried out in accordance with the relevant requirements of the:

- Gas Safety (Installation and Use) Regulations.
- The appropriate Building Regulations either The Building Regulations, The Building Regulations (Scotland), Building Regulations (Northern Ireland).
- The Current I.E.E. Wiring Regulations.

Where no specific instructions are given, reference should be made to the relevant British Standard Code of Practice (see item 2).

In IE, the installation must be carried out by a Competent Person and installed in accordance with the current edition of I.S.813 "Domestic Gas Installations", the current Building Regulations and reference should be made to the current ETCI rules for electrical installation.

On completion of an installation in IE, it is necessary to complete a "Declaration of Conformity" to indicate compliance to I.S.813.

2. It is important for correct combustion of this fire that the imitation fuel is placed in accordance with the instructions given in this booklet. Only approved imitation fuel, available from Magiglo Ltd., should be used with this appliance.
3. It is recommended that a fire guard complying with BS 8423 be fitted for the protection of young children, the elderly or infirm.
4. The user is warned not to throw any rubbish onto the fire or to disturb the fuel bed.
5. The user is advised that the ceramics used within this appliance require extra care whilst cleaning. Please refer to the Cleaning Instructions.
6. It is important for this fire to be serviced regularly. An annual service is recommended.

Efficiency Declaration

The efficiency of this appliance has been measured as specified in BS 7977: Part 1 and a value of up to 50.6%* was achieved. The gross calorific value of the fuel has been used for this efficiency calculation. The test data from which it has been calculated has been certified by Advantica Ltd. The efficiency value may be used in the UK Government's Standard Assessment Procedure (SAP) for energy rating of dwellings (* 56.2% net efficiency).

Ventilation Requirements

1. This appliance requires a minimum ventilation of 15cm² for LPG models and 20cm² for NG models in the room it is fitted in. In GB reference should be made to BS 5871 Part 2, and in IE reference should be made to the current edition of I.S.813 which makes clear the conditions that must be met to demonstrate that sufficient ventilation is available.
2. Any purpose provided ventilation must be checked periodically to ensure it is free from obstructions.

3. When fitting the fire in Northern Ireland (NI), purpose provided ventilation must be provided in accordance with the rules in force.
4. In other EC countries equivalent rules in force must be used.

Flue Requirements

Class 1 Masonry Flue - A flue having no cross sectional dimension less than 175mm (7") e.g. 225mm (9") by 225mm (9") Masonry chimney or 175mm (7") diameter clay liner.

Class 1 Masonry Flue with liner – A masonry flue having a flexible metal flue liner with a cross sectional dimension no less than 175mm.

Please refer to the full Flue and Chimney Requirements within the Installation Instruction section. The chimney must be checked regularly to ensure that all the products of combustion are entering the flue and there is no excessive build up of soot.

Gas Supply

1. This gas fire is suitable for use with either Natural Gas (G20) at 20mbar supply pressure or with Propane (G31) at 37mbar supply pressure.
2. Connection to the gas supply must be made using rigid or semi-rigid tubing.
3. A separate means of isolating the gas supply should be provided near to the appliance to facilitate servicing. An isolating valve has been supplied for this purpose.

Electrical Supply

Not applicable to this range of appliances.

1.1. **Important Note About ODS Pilot**

This fire is fitted with an ODS pilot which causes the appliance to shut down in the event of a reduction of oxygen (e.g. caused by poor ventilation) in the room. Should this happen, follow the lighting instructions to re-light the fire. In the event that the fire should shut down again, do NOT attempt to re-light it but contact your gas installer for remedial action to be taken.












Under no circumstances should it be adjusted or put out of action by the installer or the user. In case the pilot needs replacing, only the approved part (available from your supplier or Magiglo Ltd.) should be fitted. Note: if any part of the pilot assembly becomes faulty the complete assembly will need replacing.

2. USER INSTRUCTIONS

2.1. Lighting Procedure

Your fire will be fitted with one of the five different types of gas control. Identify the control system on your fire as shown and follow the appropriate operating instructions in the appropriate section.

Control Valve		Operation		Control Type
	+	Manual	=	Upgradeable Manual Control See Section 2.1.2 on Page 5
	+		=	Remote Control See Section 2.1.3 on Page 6
	+		=	Optimum Control See Section 2.1.4 on Page 7
	+		=	Trim Switch Control See Section 2.1.4 on Page 7
	+		=	Total Control See Sections 2.1.5 & 2.1.6 on Pages 8 & 9

2.1.1. Opening and Closing the Quartz Fascia

1. To gain access to the controls pull at the bottom left hand or right hand corner of the glass fascia (see **Figure 1**). The bottom of the fascia will swing out and stay open. The controls should be accessed from under the glass fascia.
2. To close, push at the bottom middle of the fascia (see **Figure 2**).

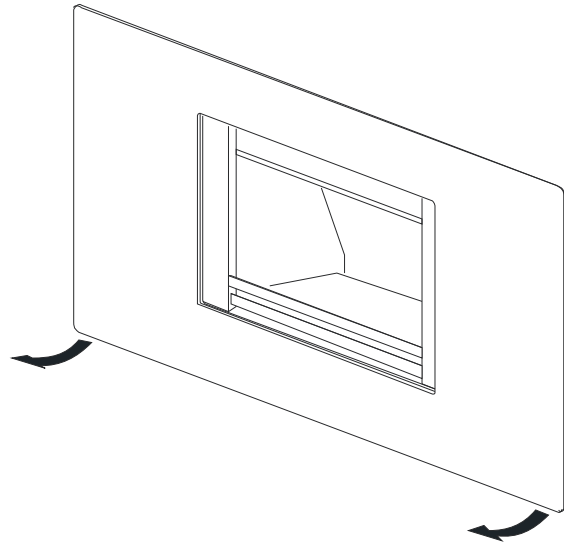


Figure 1

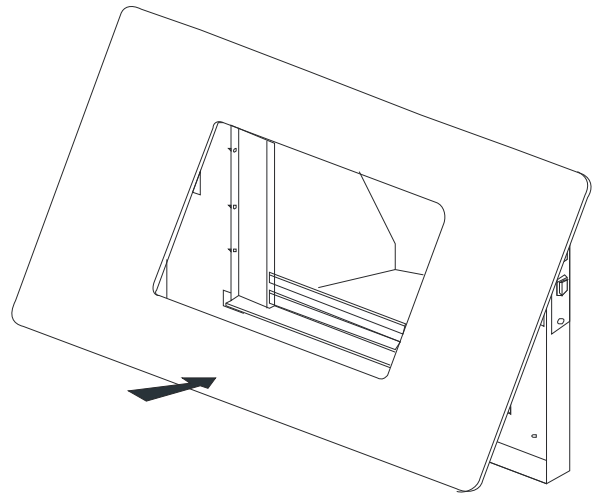


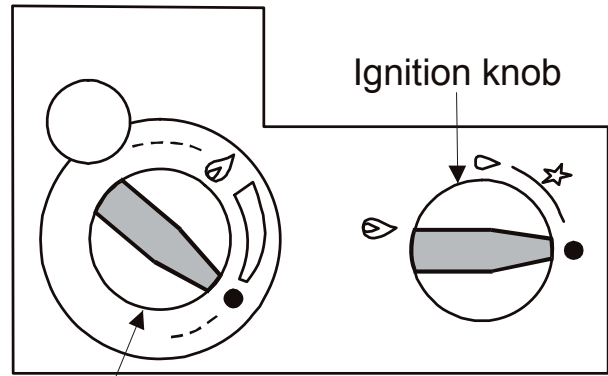
Figure 2

2.1.2. Lighting Procedure (Upgradeable Manual Control)

1. Whilst pushing the IGNITION KNOB in (see **Figure 3**), turn it anticlockwise to the pilot flame position as shown in **Figure 4**. During this process, the spark ignition will have operated and lit the pilot flame. On lighting the pilot flame continue to depress the ignition knob for a further 10 - 12 seconds then slowly release. The pilot flame should stay alight. If the flame goes out repeat the procedure above to establish the pilot.
2. If the spark unit fails to light the pilot, the appliance may be lit manually by applying a lighted match or taper to the pilot jet and following the above procedure.
3. Turn the IGNITION KNOB anticlockwise to the main flame position as shown in **Figure 5**.
4. Turn the GAS RATE ADJUSTING KNOB fully anticlockwise (until you reach the stop position) i.e. the maximum gas rate. See **Figure 6**.
5. The main burner will have cross-lit from the pilot.
6. Now the gas rate can be adjusted to the desired setting by turning the GAS RATE ADJUSTING KNOB to any position between the pre-set high and low.
7. To switch off the main burner turn the IGNITION KNOB to the 'Pilot burner only Position' as shown in **Figure 4**. The appliance may be left in this standby mode if desired.
8. To turn the pilot off turn the Ignition Knob on the control valve fully clockwise to '●' position.



NOTE: No attempt should be made to relight the fire for at least 3 minutes after the pilot flame has been extinguished either intentionally or unintentionally.



Gas rate adjusting knob
Figure 3 - Off Position

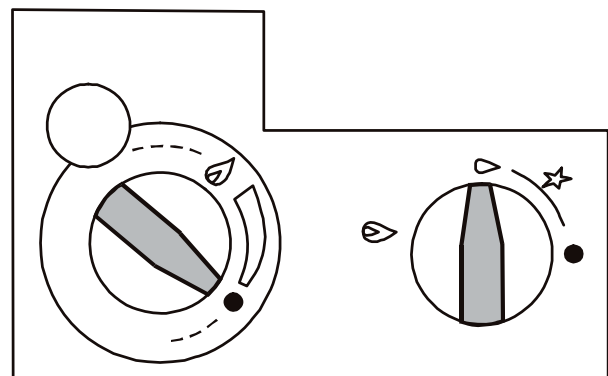


Figure 4 - Pilot burner only

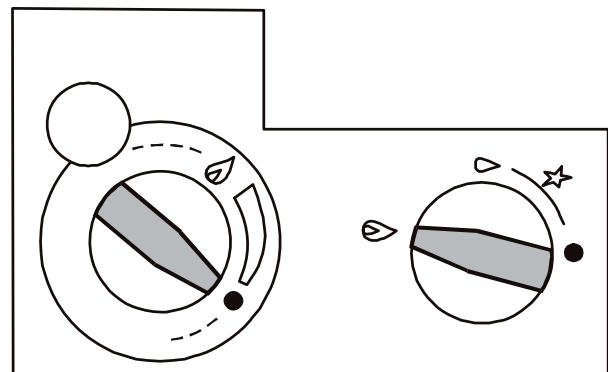


Figure 5 - Main burner operational, but gas flow off

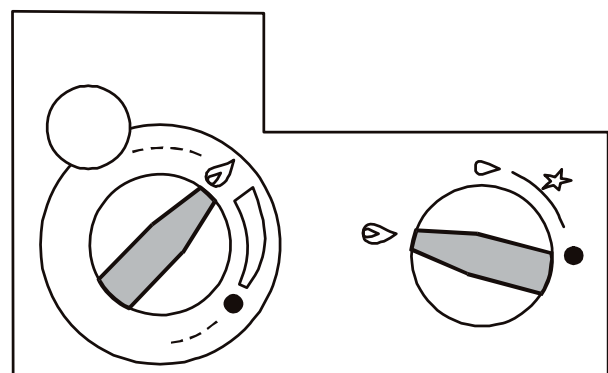


Figure 6 - Main Burner operational & Maximum Gas Rate

2.1.3. Lighting Procedure (Remote Control)

1. Press the bottom button on the remote handset until clicking is heard on the valve, and the gas rate adjustment knob is at the off position.
2. With gas available at the valve press the IGNITION KNOB (see **Figure 7**) in and turn it anticlockwise to the pilot flame position. A click of the piezo igniter will be heard and a spark will appear at the electrode. At the same time the gas will flow to the pilot burner and should be ignited by the spark. Repeat the procedure until the pilot flame is established.
3. Keep the knob pressed in for a further 10 - 12 seconds and slowly release it. The pilot flame should stay alight. If the flame goes out repeat the procedure above to establish the pilot.
4. If the spark unit fails to light the pilot, the appliance may be lit manually by applying a lighted match or taper to the pilot jet and following the above procedure.
5. Turn the IGNITION KNOB anticlockwise to the Main Burner Operation position as shown in **Figure 7**.
6. Using the HANDSET (as shown in **Figure 8**) press and hold both the top and the small button together until the main burner goes to full rate and clicking can be heard from the valve. During this process the main burner will ignite from the pilot.
7. By pressing the two buttons together (to increase the gas rate) and the lower button only (to decrease the gas rate) the valve can be manipulated to select the desired gas rate between maximum and minimum. By pressing the buttons in short bursts you will be able to adjust the gas rate in small steps.
8. To turn the fire off, continuously press the lower button until the flame dies down and clicks can be heard from the valve. Release the button as soon as the clicks are heard.
9. The fire can safely be left in this position at all times, however to prevent unauthorised or accidental use (say by children) it is recommended to turn the IGNITION KNOB to the pilot flame position by turning it 90 degrees clockwise. To turn the pilot off, turn the IGNITION KNOB fully clockwise.



NOTE: The clicking sound made by the valve is the operation of the valve clutch, and indicates either maximum or off position.

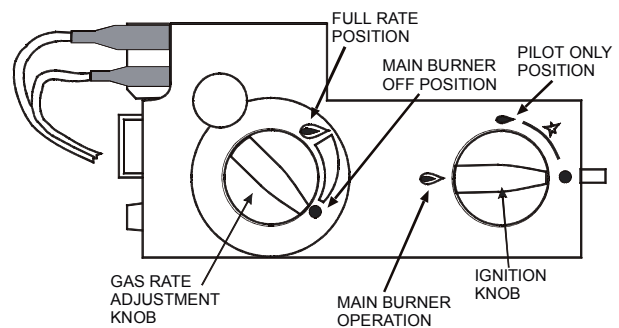


Figure 7 – Gas Valve

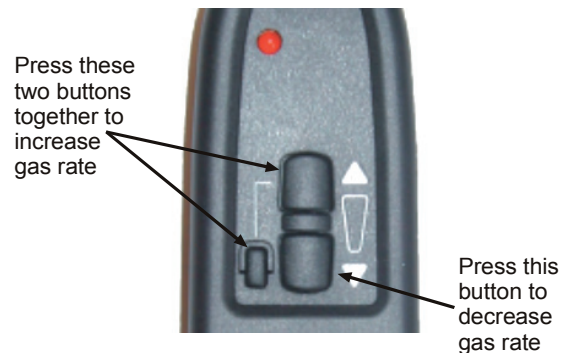






Figure 8 - Handset Operation



NOTE: No attempt should be made to relight the fire for at least 3 minutes after the pilot flame has been extinguished either intentionally or unintentionally.

2.1.4. Lighting Procedure (Optimum Control and Trim Switch Control)

1. Ensure the main burner is off by pressing the button on the trim marked  ('small flame/dot') until clicking is heard on the valve (see **Figure 9/****Figure 10**).
2. With the gas available at the valve press in the IGNITION KNOB and turn it anticlockwise to the pilot flame position (see **Figure 11**). A click of the piezo igniter will be heard and a spark will appear at the electrode. At the same time the gas will flow to the pilot burner and will be ignited by the spark. Repeat the procedure until the pilot flame is established.
3. Keep the knob pressed in for a further 10 - 12 seconds and slowly release. The pilot flame should stay alight. If the flame goes out repeat procedure above to establish the pilot.
4. If the spark unit fails to light the pilot, the appliance may be lit manually by applying a lighted match or taper to the pilot jet and following the above procedure.
5. Turn the IGNITION KNOB anticlockwise to the main flame position.
6. Press and hold the  ('large flame') button (in **Figure 9/****Figure 10**) until clicking is heard (fully open).
7. The main burner will have cross-lit from the pilot.
10. Now the gas rate can be adjusted to the desired setting by pressing the  ('small flame/dot') button. Any rate between the pre-set high and low can be obtained using the two buttons.
11. To switch off the main burner press and hold the  ('small flame/dot') button until clicking is heard from the valve (OFF position).
12. The fire can safely be left in this position at all times, however to prevent unauthorised or accidental use (say by children) it is recommended to turn the IGNITION KNOB to the pilot flame

position by turning it 90 degrees clockwise. To turn the pilot off, turn the IGNITION KNOB fully clockwise.



NOTE: The clicking sound made by the valve is the operation of the valve clutch, and indicates either maximum or off position.



Figure 9 – Trim Switch

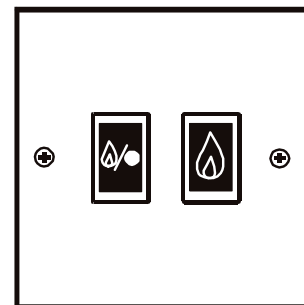


Figure 10 - Wall Switch

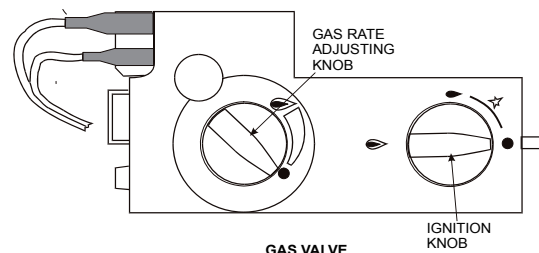


Figure 11



NOTE: No attempt should be made to relight the fire for at least 3 minutes after the pilot flame has been extinguished either intentionally or unintentionally.

2.1.5. Lighting Procedure (Total Control)

1. Ensure that gas is available at the valve and the ON/OFF switch in the ON position (→).
2. Simultaneously press and hold the ● (red circle) and 🔥 (large flame) buttons until a short acoustic signal confirms the start sequence has begun, then release the buttons (see **Figure 12**).
3. Continuing signals confirm the ignition is in process. **Once the pilot is lit the gas rate adjusting knob automatically turns to high gas rate.** The main burner cross-lights from the pilot.
4. To adjust the gas rate to desired setting press the 🔥 (large flame) to increase the flame height or 🔥 (small flame) to decrease the flame height on the handset (see **Figure 13**).
5. For fine adjustment tap the 🔥 or 🔥 buttons.
6. To leave the burner in the **standby mode** press the 🔥 (small flame) until the main burner goes out. In the standby mode the pilot stays alight.
7. To **turn off** the main burner and the pilot press the 'OFF' button on the hand set.

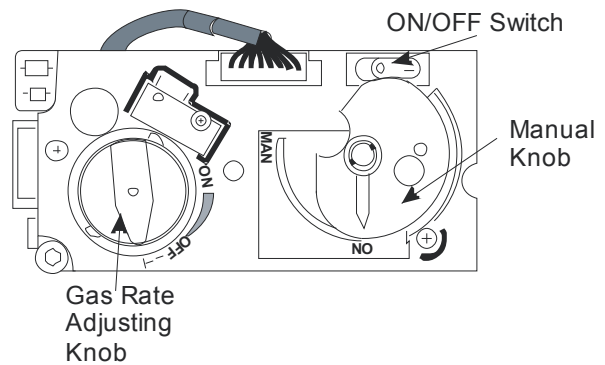


Figure 12 – Total Control Gas Valve

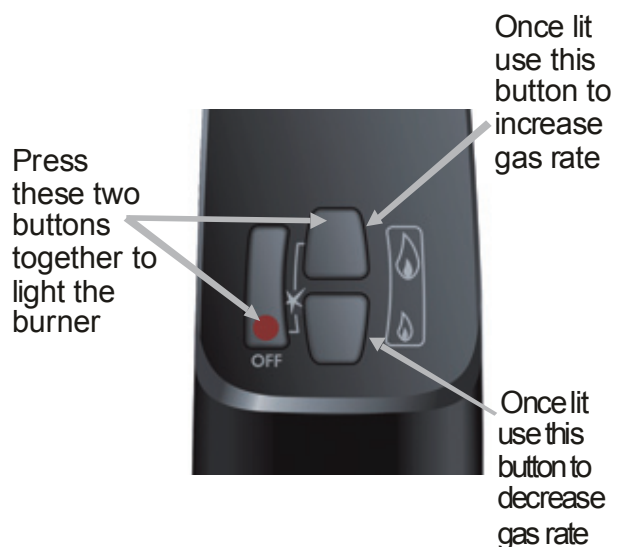


Figure 13 – Total Control Handset



WARNING: Ensure that the fire is operated only whilst present in the room where it is fitted.

2.1.6. Manual Operation (Total Control)

In emergency the appliance can be operated manually as follows:-

1. Turn the Gas Rate Adjusting knob fully clockwise to the **OFF** position. A clicking sound will be audible, but this is perfectly alright.
2. Turn the Manual knob clockwise to **MAN** position (see **Figure 14**).
3. Ensure that the **ON/OFF** switch is in the **ON (-)** position.
4. Using a rigid slender object (like a screwdriver) depress the pilot valve operator through the large hole in the knob (see **Figure 15**) and light the pilot using a match or lighted taper.
5. Keep the valve operator depressed for a further 10 seconds and slowly release. The pilot should stay alight. Repeat step 4 if necessary.
6. Turn Manual knob anticlockwise to **ON** position.
7. Turn the Gas Rate adjusting knob anticlockwise to **ON** position to turn the main burner on. Adjust this knob to get the desired gas rate between maximum and minimum.
8. To turn the main burner off but, leaving the pilot on, turn the Gas Rate adjusting knob fully clockwise past the **OFF** position.
9. To turn the pilot off place the **ON/OFF** switch to **OFF (O)** position.

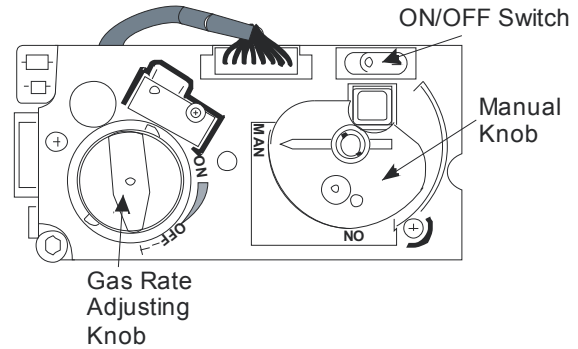


Figure 14

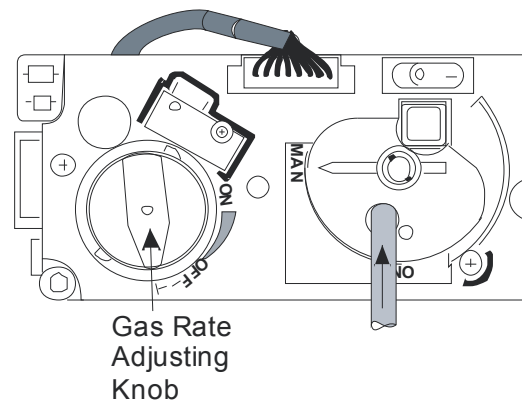


Figure 15



NOTE: No attempt should be made to relight the fire for at least 3 minutes after the pilot flame has been extinguished either intentionally or unintentionally.

2.2. Battery Replacement (Remote Control & Total Control)

2.2.1. Handset

1. On the reverse of the handset remove the battery cover by pressing down at the top of the cover and sliding down.
2. Remove and unclip the old battery and replace with a new PP3 9V battery.
3. Replace the cover.



Figure 16

2.2.2. Receiver Unit

1. Remove the receiver unit from within the heat shield under the fire burner and remove the battery compartment cover (see **Figure 17**).
2. Replace the old batteries with new ones, ensuring they are inserted in the correct polarity.
3. Replace the cover on the receiver unit, ensuring that it is securely closed.
4. Return the receiver unit to its original mounting position under the heat shield.



Figure 17



CAUTION: With the exception of battery replacement, the receiver must be located within the heat shield **at all times**.

2.3. Battery Replacement (Optimum Control)

1. The battery pack is mounted inside the wall-mounting box behind the wall switch plate.
2. To change the batteries remove the two small screws securing the wall plate using a small screwdriver.
3. Remove the battery pack from the wall box and replace the spent batteries with new ones (4 off 1.5V AA batteries) ensuring correct polarity.
4. Insert the battery pack back into the wall box and refit the wall plate ensuring that it is the right way up.
5. Secure with screws.

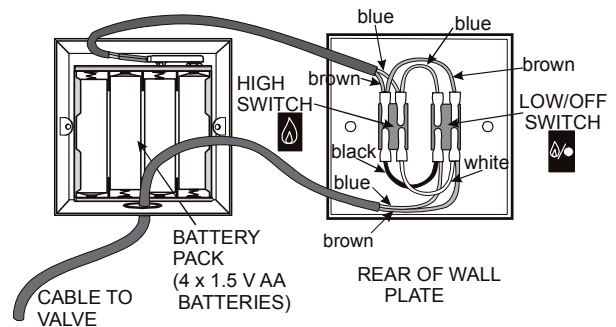


Figure 18

2.4. Battery Replacement (Trim Switch Control)

1. Open the fascia.
2. Slide out the battery holder from under the fire.
3. Replace **all** batteries with new ones (4 x AA batteries required). **Ensure that the batteries are inserted with correct polarity in the holder.**
4. Replace the battery holder into the compartment under the heat shield.
5. Close the fascia.

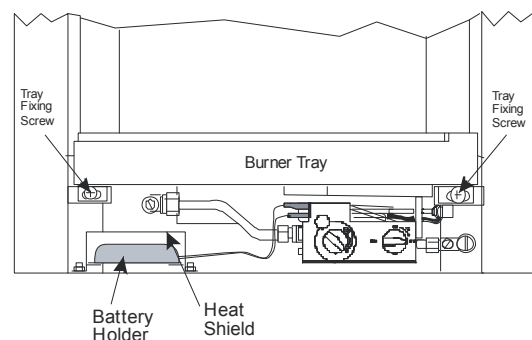


Figure 19



CAUTION: With the exception of battery replacement, the battery holder must be located within the heat shield **at all times**.

2.5. Fuel Effect Layout

You fire has been supplied with either Coal, Pebble, Beachcomber or Shoreline effect fuel bed. Please refer to the relevant section for instructions on how to arrange the imitation fuels.

It is recommended that the imitation fuel be left alone once the desired flame pattern has been achieved. **Constant moving of the imitation fuel will cause the fuel to disintegrate and/or cause discolouration.**

RCF Advice:

This product may use Components (Coals, Pebbles, Driftwood & Ceramic backs) containing Refractory Ceramic Fibres (RCF), which are man-made vitreous silicate fibres. Excessive exposure to this material may cause irritation to eyes, skin and respiratory tract.



Therefore during installation and servicing we recommend that you use a HEPA filtered vacuum to remove any dust and soot accumulated in and around the fire before and after working on the fire, to ensure that the release of fibres from these RCF articles is kept to a minimum.

We recommend that you should follow the normal hygiene rules of not smoking, eating or drinking in the work area.

When replacing Components containing Refractory Ceramic Fibres (RCF), we recommend that the replaced items are not broken up, but are sealed within heavy duty polythene bags, and clearly labelled as RCF waste. RCF waste may be disposed of in suitably licensed landfill sites.



WARNING: Do not touch the fire when it is alight. The fire will remain very hot for a while after extinguishing.



Some sooting on the fuel effect may be observed. This is perfectly normal. Periodically operating the fire at various rates will burn this soot away. If excessive sooting is observed, this is an indication that the fuel bed is laid incorrectly – please refer to instructions.

2.5.1. Coal Effect Layout

This fire is supplied with different sizes of ceramic coal:

	Qty
Small Square Coals	8
Random Coals	25
Small random coals	7
Matrices	4

Proceed with the coal layout as follows: -

1. Having unpacked all the fuel-bed components proceed with placing the **rear matrix** pieces centrally and to the rear of the burner tray ensuring that it touches the ceramic fire-back.
2. Place the **middle matrix** pieces onto the burner board so that they key into the triangular depression on the board (see **Figure 20**).
3. Insert the front fuel spike between the board and the front of the metal tray (see **Figure 20**).
4. Unpack the square coals and insert them centrally into the spikes as shown in **Figure 21**. Then place Large Random coals on the middle matrix such that they are bridging across to the rear matrix.
5. Continue laying the coals as shown in **Figure 22** to **Figure 25** ensuring that the coals are placed 'loosely'. Packing the coals too tightly together will result in a poor flame picture. The best results come from a 'loose' fuel build.
6. After the appliance has been allowed to warm up, small adjustments (using a small pair of tongs) may be made to the top layer to achieve the desired flame picture.
7. It is recommended that the coals be left alone once the desired flame picture has been achieved. **Constant moving of the coals causes the coals to disintegrate and/or cause discolouration.**

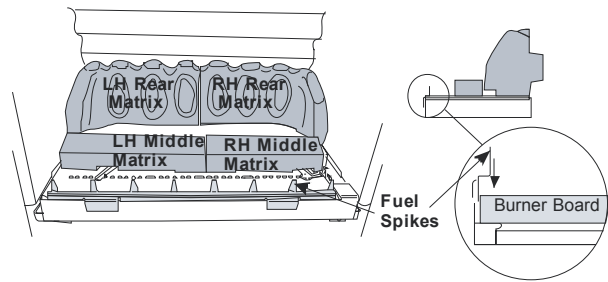


Figure 20

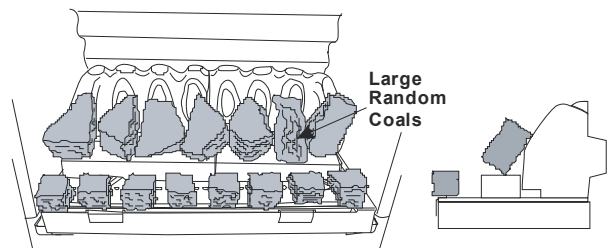


Figure 21

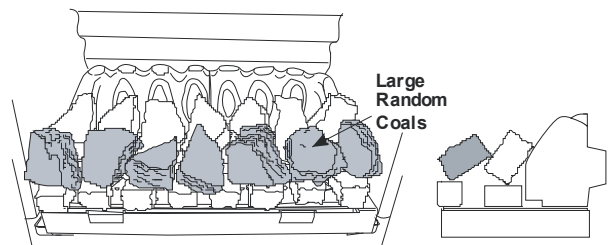


Figure 22

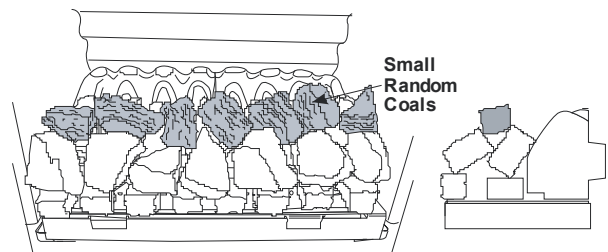


Figure 23

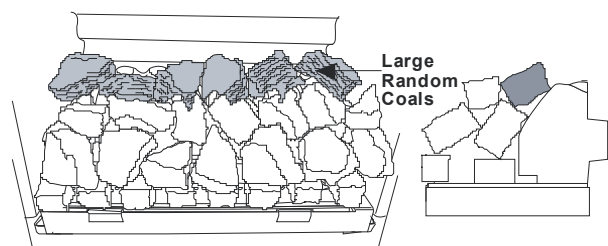


Figure 24

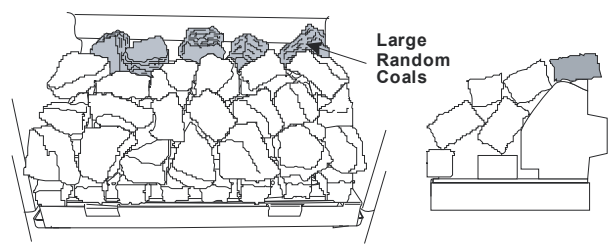


Figure 25



WARNING: Do not touch the fire when it is alight. The fire will remain very hot for a while after extinguishing.

2.5.2. Pebble Effect Layout

The fire is supplied with ceramic pebble sets as follows:-

	Qty
Large Pebbles (A, B & K)	19
Medium Pebbles (C & D)	11
Medium Pebbles (F)	2
Front Pebbles (E/J)	8
Matrices	4

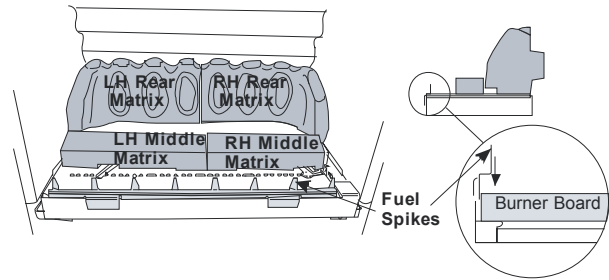


Figure 26

NOTE: When placing pebbles on the burner tray, ensure the lettering on them is facing down and towards the fire. After every step of pebble laying, ensure that they are stable.

1. Having unpacked all the fuel-bed components proceed with placing the **rear matrix** centrally and to the rear of the burner tray ensuring that it touches the ceramic fire-back.
2. Place the **middle matrix** onto the burner board so that it keys into the triangular depression on the board (see **Figure 26**).
3. Insert the front fuel spike between the board and the front of the metal tray (see **Figure 26**).
4. Insert the J & E pebbles centrally onto the spikes and place the A & B pebbles on the middle matrix ensuring the same orientation as shown in **Figure 27**.
5. Proceed with laying the rest of the pebbles in accordance with **Figure 28** to **Figure 31**.
6. After the appliance has been allowed to warm up, small adjustments (using a small pair of tongs) may be made to the top layer to achieve the desired flame picture.
7. It is recommended that the pebbles be left alone once the desired flame pattern has been achieved. **Constant moving of the pebbles causes the pebbles to disintegrate and/or cause discolouration.**

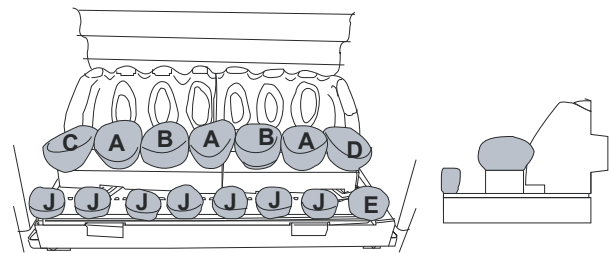


Figure 27

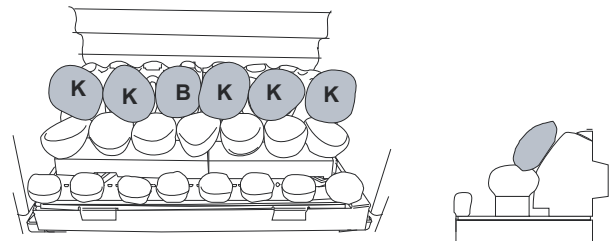


Figure 28

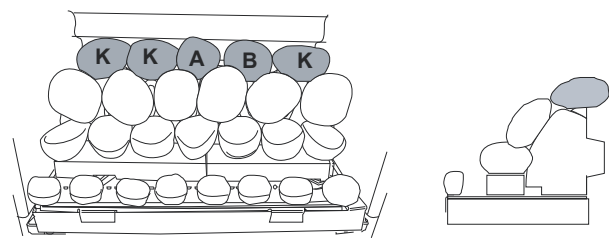


Figure 29

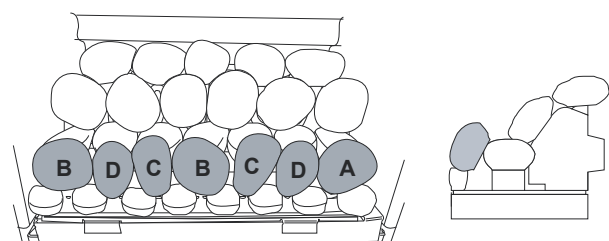


Figure 30

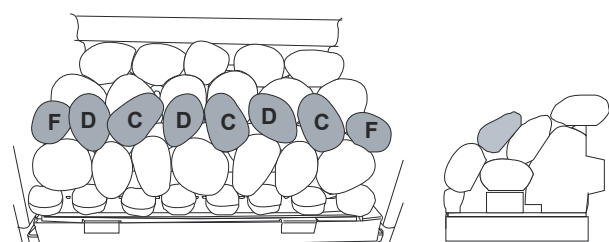


Figure 31



WARNING: Do not touch the fire when it is alight. The fire will remain very hot for a while after extinguishing.



Some sooting on the pebbles may be observed. This is perfectly normal. Periodically operating the Fire at various rates will burn this soot away. If excessive sooting is observed, this is an indication that the pebbles are laid incorrectly – please refer to instructions.

2.5.3. Beachcomber Effect & Shoreline Effect Layout

The fire is supplied with ceramic pebble and driftwood set as follows:

Pebbles

	<u>Qty</u>
Large Pebbles (A, B & K)	10
Medium Pebbles (C & D)	8
Small Pebbles (E/J)	12
Matrices	4

Driftwood

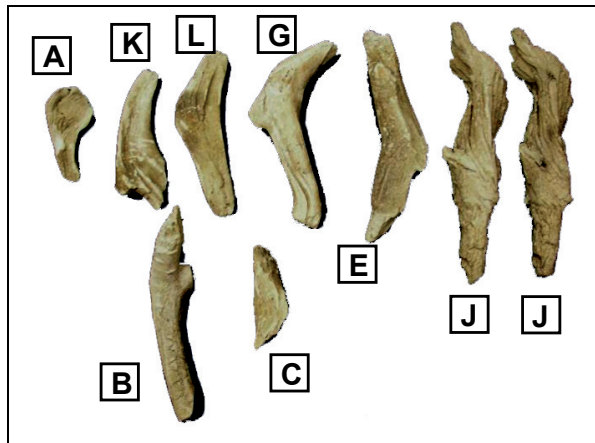


Figure 32

NOTE: When placing pebbles and driftwood on the burner tray, ensure that the lettering on them is facing down and towards the fire. After every step of pebble and driftwood laying, ensure that they are stable.

1. Having unpacked all the fuel-bed components proceed with placing the **rear matrix** pieces centrally and to the rear of the burner tray ensuring that it touches the ceramic fire-back (see **Figure 33**).
2. Place the **middle matrix** pieces onto the burner board so that they key into the triangular depression on the board (see **Figure 33**).
3. Insert the front fuel spike between the board and the front of the metal tray (see **Figure 33**).
4. Insert the **J & E** pebbles centrally onto the spikes and place the **B** pebbles on the middle matrix ensuring the same orientation as shown in **Figure 34**.
5. Place the **G** and **E** driftwood pieces as shown in **Figure 35** then place the **B** and **A** pebbles (**G** driftwood is not marked).

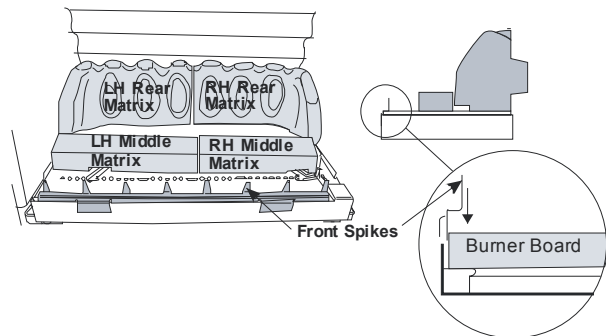


Figure 33

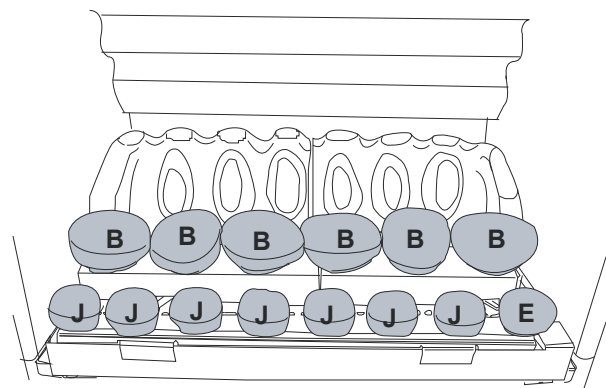


Figure 34

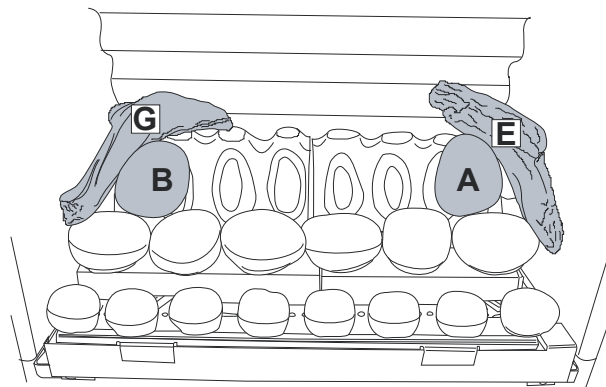


Figure 35

6. Next place the two **J** driftwood pieces and the **K**, **D** and **C** pebbles as in **Figure 36**.
7. Continue laying the driftwood pieces and the pebbles as shown in **Figure 37** to **Figure 39**.
8. After the appliance has been allowed to warm up, small adjustments (using a small pair of tongs) may be made to the top layer to achieve the desired flame picture.
9. It is recommended that the pebbles and driftwood be left alone once the desired flame pattern has been achieved. **Constant moving of the pebbles and driftwood causes them to disintegrate and/or cause discolouration.**



WARNING: Do not touch the fire when it is alight. The fire will remain very hot for a while after extinguishing.

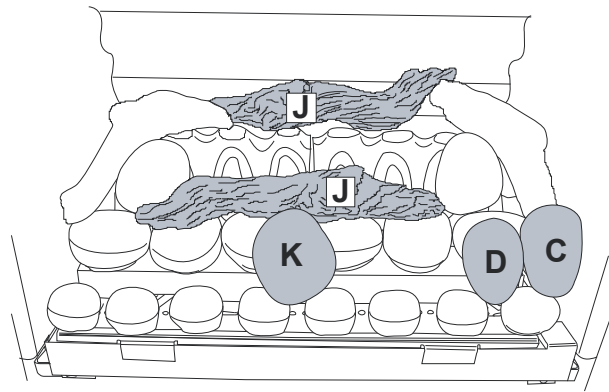


Figure 36

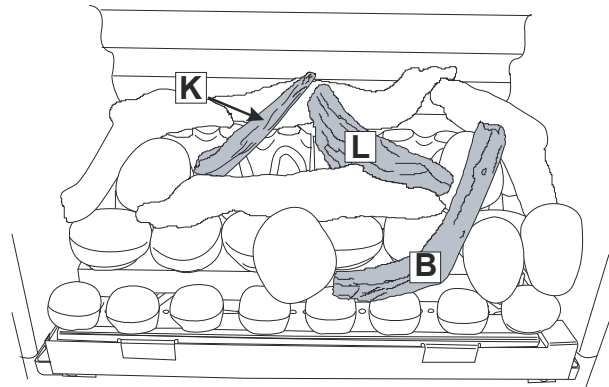


Figure 37

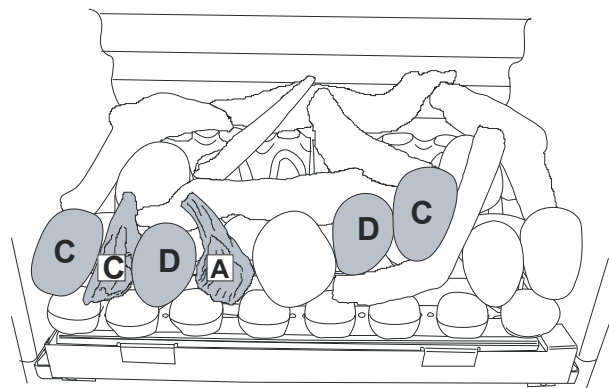


Figure 38

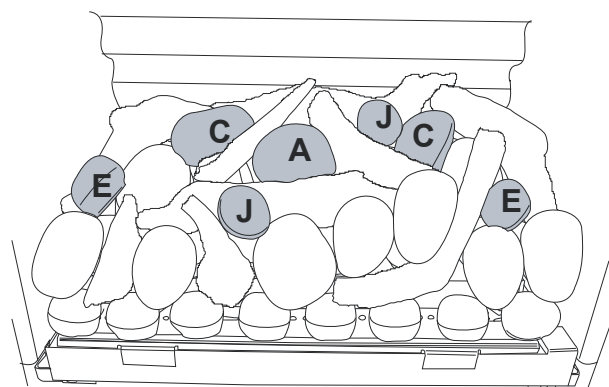


Figure 39



Some sooting on the fuel effect may be observed. This is perfectly normal. Periodically operating the fire at various rates will burn this soot away. If excessive sooting is observed, this is an indication that the fuel bed is laid incorrectly – please refer to instructions.

2.6. Home Improvements



WARNING: If after installation of this fire any home improvements (e.g. double glazing, secondary double glazing, draught proofing, fitting extractor fans, etc.) are carried out to the property it is essential to carry out a spillage test on the fire to ensure that the flue is still operating satisfactorily.



NOTICE: Discolouration of wall surfaces

Generally, heating appliances will create warm air convection currents that will transfer heat to any wall surface against which they are located.

Some soft furnishings (including blown vinyl wallpapers) may not be suitable for use where they are likely to encounter temperatures above the normal room level. For this reason, the manufacturer's advice should be sought before using this type of wall covering adjacent to any heating appliance.

The likelihood of wall staining caused from convected air currents will be increased in areas where high levels of tobacco smoke or other contaminants exist.

2.7. Cleaning and Care Instructions



CAUTION: Ensure that the appliance is off (including the pilot light) and has completely cooled (off for at least 2 hours) before carrying out any cleaning or maintenance.

RCF Advice:

This product may use Components (Coals, Pebbles, Driftwood & Ceramic backs) containing Refractory Ceramic Fibres (RCF), which are man-made vitreous silicate fibres. Excessive exposure to this material may cause irritation to eyes, skin and respiratory tract.



Therefore during installation and servicing we recommend that you use a HEPA filtered vacuum to remove any dust and soot accumulated in and around the fire before and after working on the fire, to ensure that the release of fibres from these RCF articles is kept to a minimum.

We recommend that you should follow the normal hygiene rules of not smoking, eating or drinking in the work area.

When replacing Components containing Refractory Ceramic Fibres (RCF), we recommend that the replaced items are not broken up, but are sealed within heavy duty polythene bags, and clearly labelled as RCF waste. RCF waste may be disposed of in suitably licensed landfill sites.

2.7.1. Cleaning the Fire-Bed with Imitation Fuel Effect

1. If excessive debris is observed on the imitation fuels or fire-bed, this must be removed before further using the fire.
2. Carefully remove all the imitation fuel from the fire-bed. Any soot or debris on the fuel can be gently brushed away with a soft brush - DO NOT use a vacuum cleaner.
3. Use a low powered HEPA filtered vacuum cleaner with a small nozzle to clean the burner board by gently sweeping the nozzle above the surface of the board. Clean the ports (small holes on the board) in a similar fashion.
4. Relay the imitation fuel after cleaning in accordance with the layout instructions in this booklet.
5. When satisfactory flame appearance has been achieved after positioning the coals/pebbles/driftwood, they should not be moved unnecessarily. **Constant moving of the imitation fuels will damage and/or cause discolouration.**

2.7.2. *Cleaning the Pilot*

The oxygen depletion sensing pilot fitted to your Magiglo fire is a highly reliable safety device which causes the fire to shut down in the unlikely event of a reduction of oxygen in the room where the fire is fitted.

After a period of time, it is possible for lint (carpet fluff, pet hair, dust, etc.) to build up on the lint guard assembly (see diagram) causing some of the following symptoms:

1. The pilot does not light readily.
2. Yellow flame on pilot burner.
3. Fire shuts down unexpectedly.
4. The pilot does not stay alight after releasing the control lever.

If any of the above symptoms show, follow the instructions below for removing the offending blockage:

1. Using a pair of tweezers (if available) or a piece of fine soft wire, pick out the lint from the lint guard.

2. With the aid of a small nozzle attachment on your vacuum cleaner, apply suction at the lint guard on the pilot. Very carefully, do the same on the pilot head.

If, after carrying out the above procedure, there is no improvement to the performance of the fire, seek expert help.

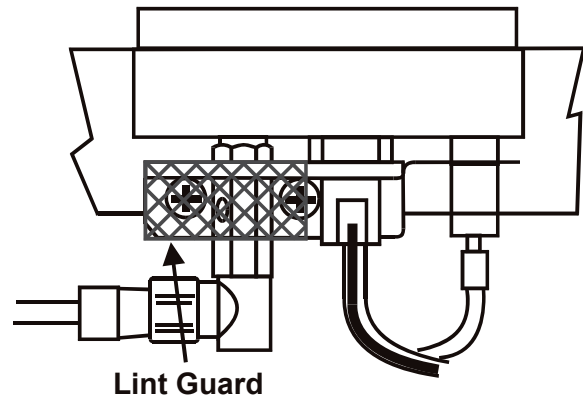


Figure 40

2.7.3. *Cleaning the Fire Back*

No cleaning should be necessary, however, if it should be required, a light dusting with a **very soft** brush will remove any soot or dust marks.

Excessive cleaning will remove the dyes and binders used during production, and will lead to a replacement back being required.

2.7.4. *Painted Metal Surfaces*

These surfaces should be dusted regularly and any marks removed with a soft damp cloth.

2.7.5. *Care of Ceramic Backs*

The ceramic fireback on this appliance must NOT be sprayed with any type of solvent-based high temperature paint.

The very high temperatures produced within the appliance will cause the paint to bubble and/or burn off rendering the fireback looking unsightly.

Minor surface scuffs may be treated using a water based touch up stain available at Magiglo fire retailers.



Extreme care should be taken when handling and installing products containing ceramic interiors, so as not to cause damage.

3. INSTALLATION INSTRUCTIONS

Before installation, ensure that the local distribution conditions (identification of the type of gas and pressure and the adjustment of the appliance are compatible)

3.1. General Safety Requirements

The installation of the fire in GB should follow the recommendations of the following current British Standards:

BS 5871: Pt 2	Installation of Inset live fuel effect gas fires.
BS 6891	Pipe work Installation
BS 5440: Pts 1 & 2	Flues and Ventilation
BS EN 1856	Chimneys - Requirements for metal chimneys - System chimney products
BS EN 1858	Chimney – Components – Concrete flue blocks

In IE equivalent rules in force must be used.

3.2. Flue Requirements

3.2.1. Masonry Flue

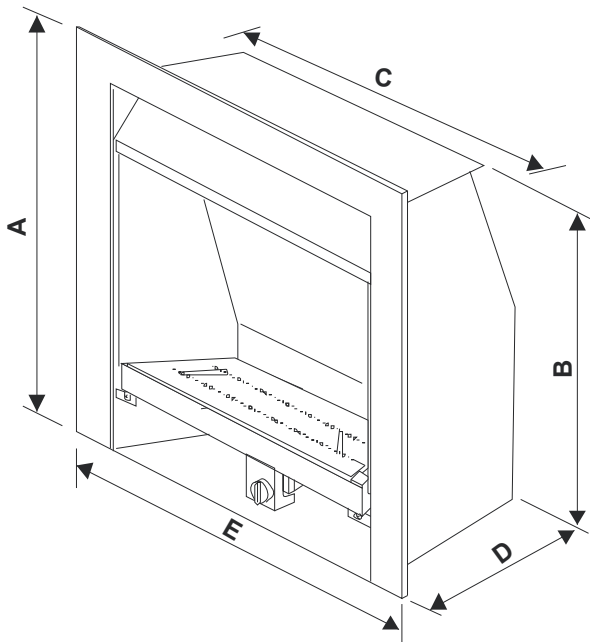
1. The flue serving this appliance shall have no cross sectional dimension less than 175mm (7") e.g. 225mm (9") by 225mm (9") Masonry chimney or 175mm (7") diameter clay liner and a minimum equivalent height of 3 metres (10ft). For installation in GB, please refer to BS 5871 Part 2 for further information. For installation in IE, refer to the current edition of I.S.813 "Domestic Gas Installations".
2. A faulty flue or chimney may result in smoke and fumes entering the room.
3. The flue should be sound, free from obstructions and, if it has previously been used with a solid fuel or oil fired appliance, it should be swept before installing this gas fire. The flue must be inspected annually to ensure continued clearance of combustion products.
4. Any flue damper plates or obstructions etc. must be removed and no restrictor plates shall be fitted. Where removal is not practical, the damper plate/restrictor must be fixed permanently in the fully open position.



Note: To comply with the expression "permanently fixed in the open position", a mechanical fixing that prevents user intervention should be used e.g. requires the use of tools for removal.

5. It is recommended that a smoke test be carried out before installation to ensure that there is no spillage of fumes into the room. If spillage occurs this problem must be rectified before commencing installation.
6. The flue must serve only one appliance.

3.3. General Dimensions



Dimensions	
A	580mm
B	553mm
C (Front)	497mm
C (Rear)	412mm
D	253mm
E	585mm

Table 1

Figure 41 - Standard Box Dimension
(refer to Table 1)

3.4. Technical Data

	Natural Gas	Propane (LPG)
Nominal maximum heat input	11.0 kW (gross)	10.0 kW (gross)
Setting pressure (Cold)	14.0 mbar \pm 1.0 mbar	35.0 mbar \pm 1.0mbar
Minimum heat Input	5.0 kW (gross)	5.0 kW (gross)
Minimum setting pressure	3.3 mbar \pm 0.3 mbar	9.0 mbar \pm 0.5 mbar
Gas	G20 (Natural Gas)	G31 (Propane)
Injector Type	No. 105	No. 60
Gas inlet connection	8mm	8mm
Control valve	BM 733 or Mertik GV Series	BM 733 or Mertik GV Series
Pilot	SIT OxyPilot	SIT OxyPilot
Weight (Fire only)	21.2 kg	
Efficiency Class	Class II	

3.5. Burner Tray Layouts

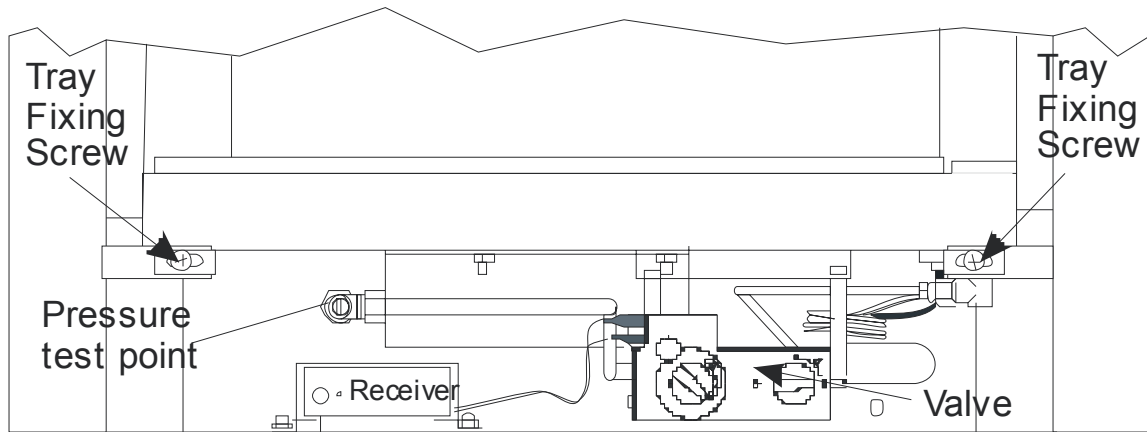


Figure 42 - Model with Mertik GV34 Valve
(Upgradable Manual, Remote Control, Optimum Control, Trim Switch Control)

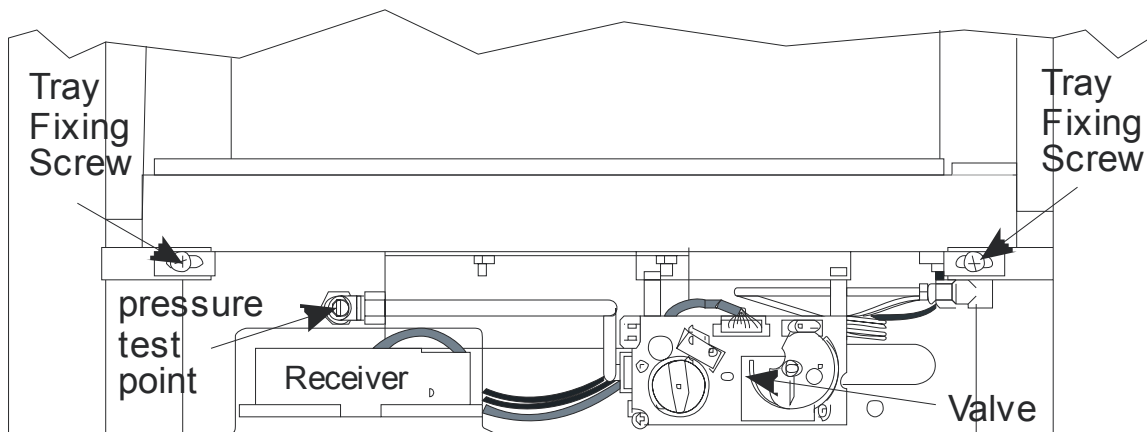


Figure 43 – Model with Mertik GV60 Valve (Total Control)

3.6. Appliance Location

The fire must be fitted on a flat non-combustible base. In addition a non-combustible hearth or physical barrier with minimum dimensions shown in figures below should be provided in front of the fireplace opening where relevant.

However, with hole in the wall fire installations, where it may be desirable not to include a hearth with the appliance installation, Building Regulation Approved Document J paragraph 3.40 currently states:-

Appliance should be placed on hearths unless:

- a) they are installed so that every part of any flame or incandescent material will be at least 225mm above the floor; or
- b) the manufacturer's instructions state that a hearth is not required.

Magiglo would recommend that a hearth or physical barrier be installed with this appliance. However, should you decide not to follow our recommendation and do not fit a hearth or subsequently decide to remove the hearth / physical barrier, then consideration as to the safety of the occupants of the room should be given.

3.6.1. Fireplace Openings

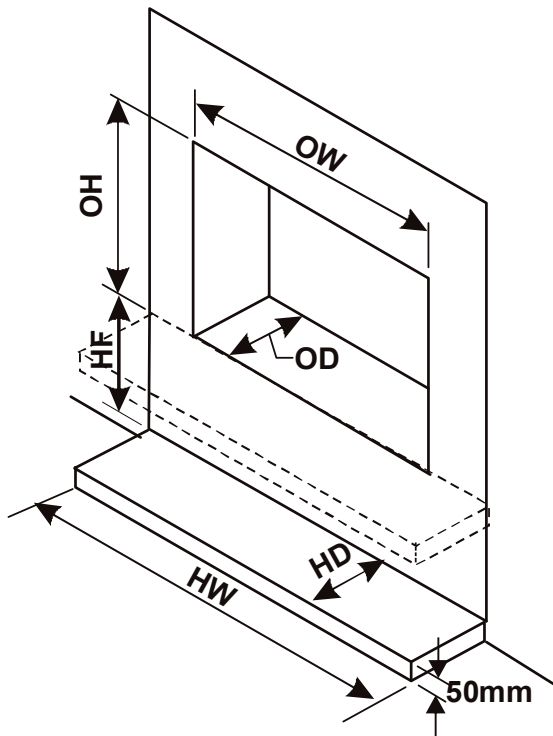


Figure 44

Fireplace Openings	
OH	565mm
OW	510 - 570mm
OD	280mm (min)
HW	Must project a minimum of 150mm either side of any naked flame or incandescent material
HD	Must project a minimum of 300mm in front of any naked flame or incandescent material
HF	Minimum of 75mm above hearth level.

Table 2

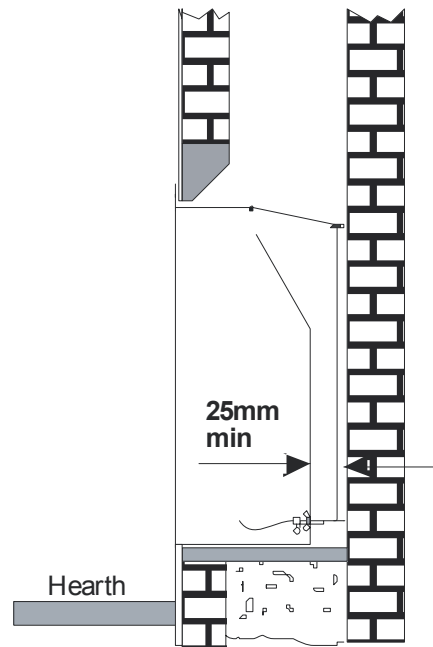


Figure 45 - Catchment Space



Hearth Construction: The hearth material must be non-combustible and a minimum of 12mm thick, when laid on the floor. Either a 50mm upstand above the finished floor level must be created or a fixed fender must be used.

3.6.2. Physical Barrier

Any physical barrier should meet the following requirements:

1. Provide at least the equivalent level of warning to the approach of an open fire, to that of a hearth.
2. Define a clear zone where occupants must exercise additional caution.
3. Should be constructed of non-combustible material, of robust design and fixed in such a way so as to provide a secure boundary and be mechanically fixed to prevent accidental and/or unintentional removal.

Such a device could take the form of a fender, a shelf, a wall mounted decorative bar, etc.

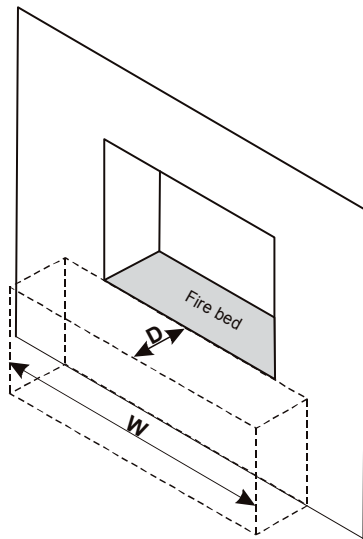


Figure 46

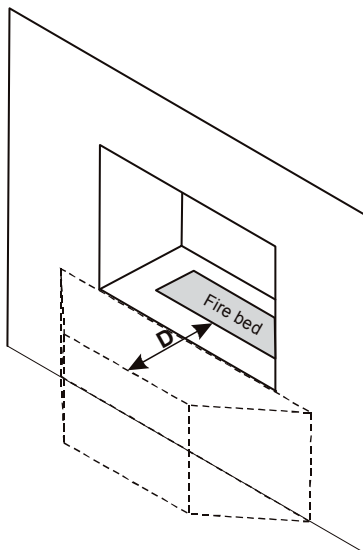


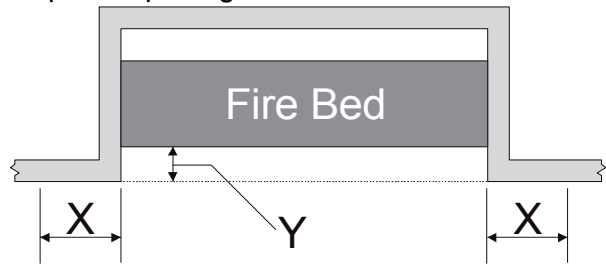
Figure 47

All models	
W	Must project a minimum of 150mm either side of any naked flame or incandescent material
D	Must project a minimum of 300mm in front of any naked flame or incandescent material
The height of any physical barrier must be a minimum of 50mm above the finished floor level.	

Table 3 – Protected Area

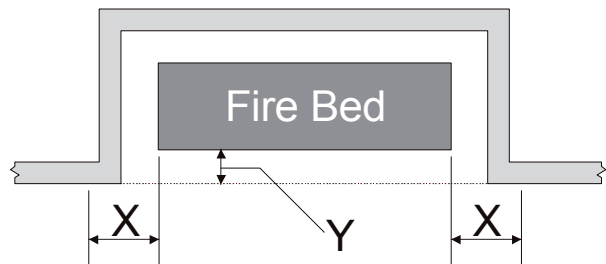
Figure 46 and Figure 47 show examples of area to be protected by the physical barrier.

Figure 48, Figure 49 and Figure 50 show methods for calculating the barrier width, but must remain at least the width of the fireplace opening.



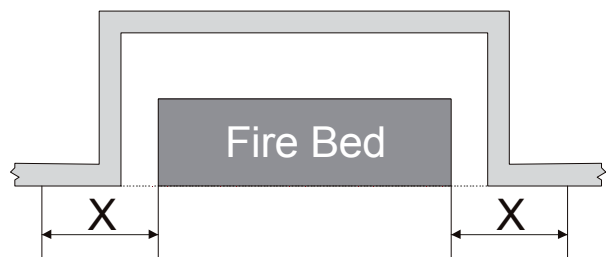
$$X=150\text{mm, less dimension Y}$$

Figure 48



$$X=150\text{mm, less dimension Y}$$

Figure 49



$$X=150\text{mm}$$

Figure 50

Figure 51, Figure 52, Figure 53 and Figure 54 show examples of how the requirements for the physical barrier may be met.

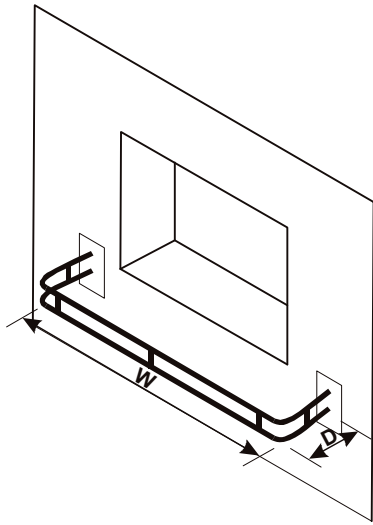


Figure 51 – Example of physical barrier
(dimensions as stated in Table 3 – Protected Area)

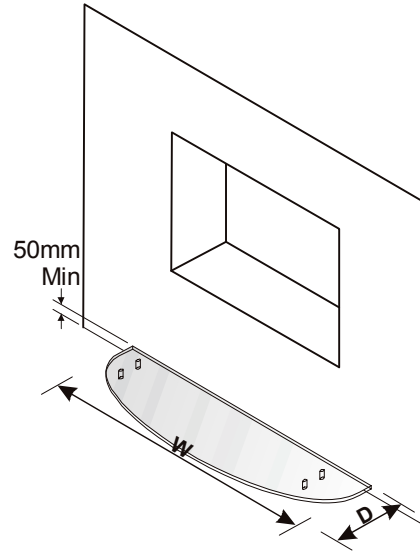


Figure 53 – Example of physical barrier
(dimensions as stated in Table 3 – Protected Area)

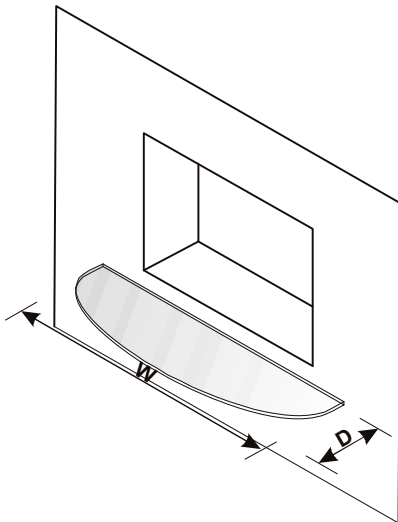


Figure 52 – Example of physical barrier
(dimensions as stated in Table 3 – Protected Area)

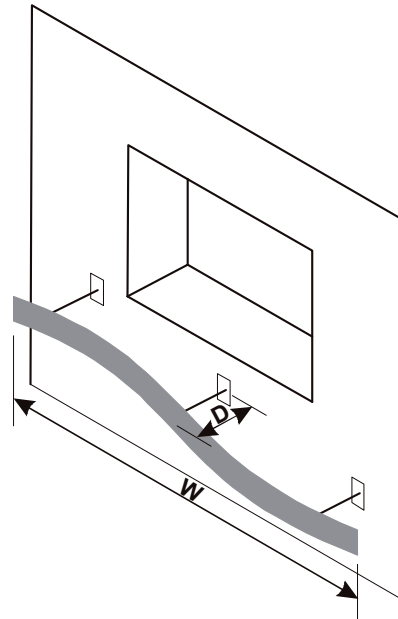


Figure 54– Example of physical barrier
(dimensions as stated in Table 3 – Protected Area)

3.7. Ventilation

This appliance requires a minimum ventilation of 15cm² for LPG models and 20cm² for NG models in the room it is fitted in. In GB reference should be made to BS 5871 Part 2, and in IE reference should be made to the current edition of I.S.813 which makes clear the conditions that must be met to demonstrate that sufficient ventilation is available.

A purpose provided ventilation must be checked periodically to ensure it is free from obstructions.

When fitting the fire in Northern Ireland (NI), purpose provided ventilation must be provided in accordance with the rules in force.

3.8. Contents Checklist

Before proceeding with installation of the fire check the contents as follows:

Carton 1

Basic Kit (Applicable to all control options)

Quantity	Item
1	Eon Plus 20 Gas Fire
1	Imitation fuel set (Coal, Pebble, Beachcomber or Shoreline)
1	Isolating Valve and Easi-fit pipe
1	Cable Fixing Kit
1	Sealing Strip and Front fuel support spikes.

Additional Items for Remote Control Models

Quantity	Item
1	Remote Control Handset and Receiver
4	AA Batteries
1	PP3 (9V) Battery

Additional Items for Optimum Control Models

Quantity	Item
4	AA Batteries plus battery holder
1	5 Metre Cable with wall plate and switches

Additional Items for Trim Switch Control Models

Quantity	Item
4	AA Batteries plus battery holder
1	Wiring harness and switches

Carton 2

Quantity	Item
1	Fascia pack

3.9. Installation Procedure



Before commencing installation, ensure that the intended installation will comply with details in **General Information** on Pages 1 and 23.

Carefully unpack the contents of the carton and check them against the checklist given on the previous page.

Make sure that the fireplace opening is suitable for the installation of the fire and prepare the fireplace to suit the dimensional requirements given in **Section 3.6** (i.e. fitting the fire surround, the hearth (if required) etc.).

3.9.1. Preparing the Firebox

1. Remove the two burner fixing screws located under the front corners of the tray (see **Figure 42** and **Figure 43** on page 23).
2. Withdraw the burner from the firebox, taking care not to damage the ceramic back and side panels. Place the burner away for later use.
3. Apply the foam sealing strip all round the rear edge of the firebox flange by removing the protective backing paper. (See **Figure 55**).
4. Unpack the cable fixing kit and feed the cable ends through the top holes on the sides of the flue outlet (see **Figure 56**).

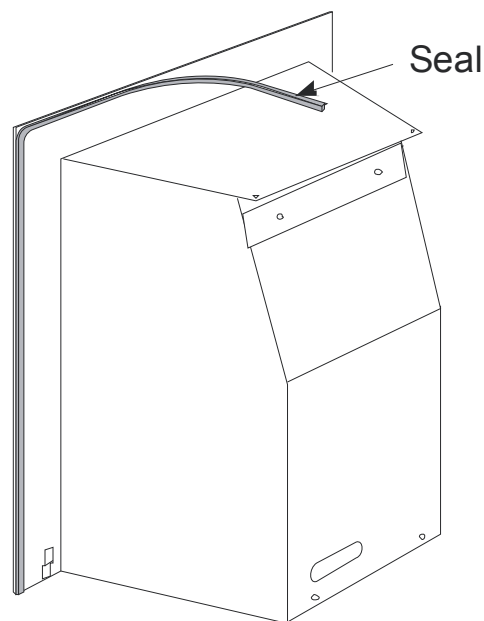


Figure 55

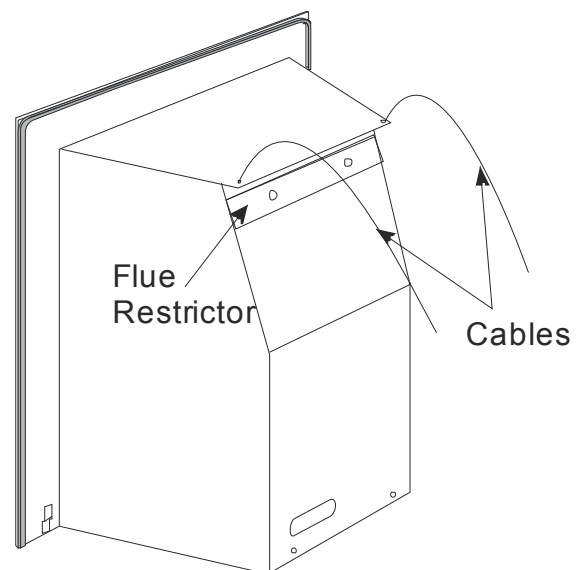


Figure 56

3.9.2. Preparing the Fireplace Opening (all models)

1. Prepare the fireplace opening in accordance with section 3.2 and 3.6 ensuring that the surface around the opening is flat and level in all directions.
2. Mark out, drill, plug and fit the four eye screws onto the rear wall of the fireplace opening as shown in **Figure 57**.
3. Install the gas supply within the opening using rigid or semi-rigid tubing allowing for rear entry into the fire box (See **Figure 57**).
4. If installing **Optimum Control Model** prepare a suitable route for the cable to the wall switch.

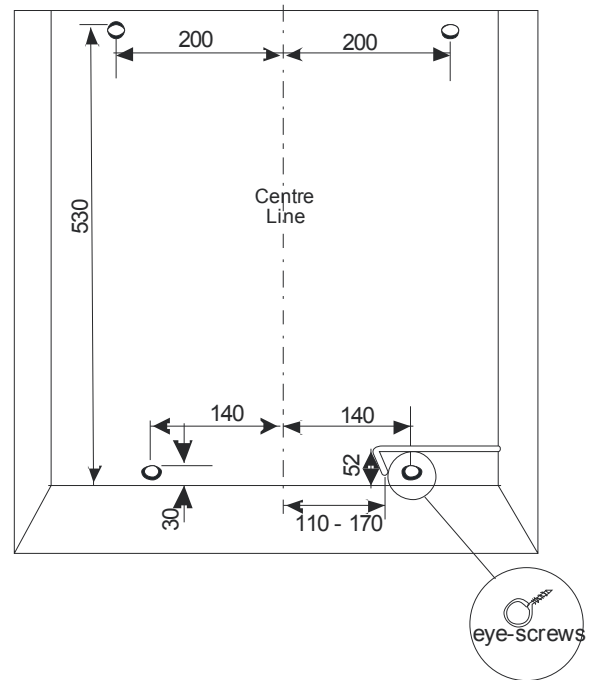


Figure 57

3.9.3. Installing the Firebox (all models)

1. With the firebox placed close to the fireplace opening feed the two cables through the matching eye screws (left cable through left hand set eyelets and the same for right hand cable) and then back into the holes at the bottom rear of the firebox (see **Figure 58**).
2. Remove the grommet from the gas inlet slot on the firebox to allow the gas pipe to come through. For **Optimum Control Models** feed the end of the cable to the valve into the hole on the side of the firebox.
3. Whilst pulling the cables, push the firebox gently into the builders opening (ensuring that the gas pipe emerges from the rear slot) until the flange of the firebox abuts the fire surround (or the wall).
4. Feed each bare cable end into the hole at the threaded end of the cable tensioning screw (see **Figure 59**).
5. Slide it all the way onto the cable and through the 8mm diameter hole in the firebox (If required, the cable tensioning screw can be shortened to suit).
6. Whilst holding the cable tensioning screw in the box pull the cable taught and, without releasing the tension, tighten the thumb screw firmly (see **Figure 59**). Repeat this procedure with the other cable.
7. To further tension the cable, turn the wing nut clockwise while gripping the tensioning screw.
8. Roll up the excess cable and tuck it away. Do **NOT CUT** the excess cable.

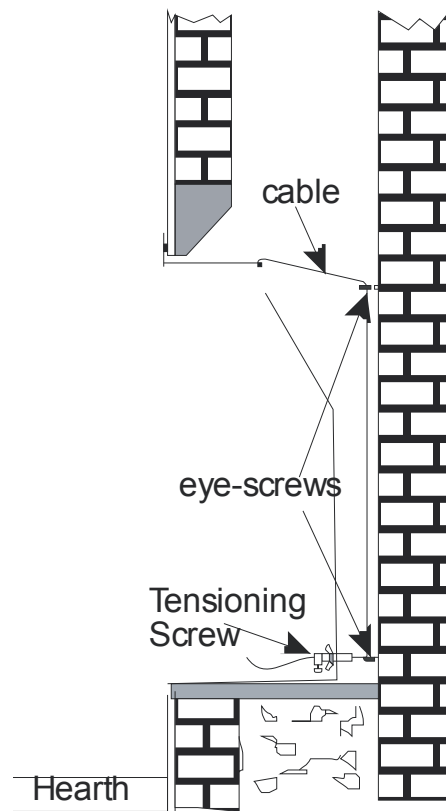


Figure 58

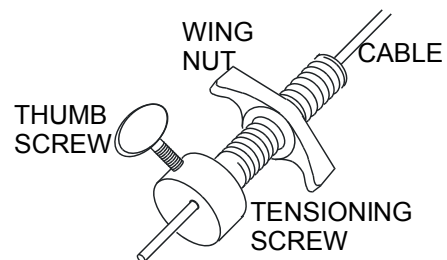


Figure 59

3.9.4. Connecting the Gas Supply

The gas supply to the fire must be carried out using rigid or semi-rigid metal tubing. A service cock must be incorporated near the appliance to facilitate isolation of the fire during servicing. An isolating valve (with a pressure test point) has been supplied with this fire.

Carry out the procedure below to prepare the gas supply to the isolating valve supplied:

1. Cut a cross-slot in the rubber grommet and push it onto the gas line to seal the gas inlet slot on the firebox.
2. Fit the easy-fit pipe to the inlet of the gas valve and fit the isolating valve loosely to it. This is used for marking purposes.
3. Re-place the burner into the firebox and mark the desired position of the gas inlet pipe.
4. Remove the burner, cut the gas inlet pipe as required and fit the isolation valve (ensure this is in the correct position, with the pressure test point facing forward).
5. Replace the burner tray ensuring that the rear of the burner tray assembly slots into the rear support (see **Figure 60**).
6. Connect the isolation valve on the gas inlet pipe to the easy-fit pipe on the valve.
7. Fix the tray in position using the previously removed screws.
8. Install the selected fascia as shown in the following sections.

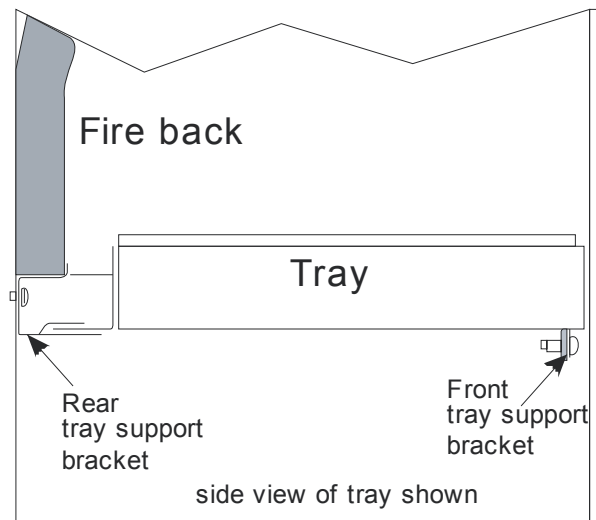


Figure 60

3.9.5. Installation of Quartz Fascia Pack (Eon Plus)

1. Unpack the contents of the Fascia Pack.
2. Remove the fascia retaining bracket by removing the fixing screw (see **Figure 61**).
3. Separate the fascia from the mounting frame by opening and sliding it off its hinges as shown in **Figure 62**. Place the glass fascia somewhere safe to prevent damage to it.
4. Remove all remaining packaging from the mounting frame.
5. Offer the mounting frame up to the appliance opening, taking note of the locating tab projecting to the rear of the mounting frame as shown in **Figure 63**.
6. Insert the locating tab (identified in the step above) into the top of the appliance opening. This facility has been designed to assist in setting the correct height and centralising the mounting frame.
7. Once the desired position is achieved (level in all planes) mark the four hole positions, set the frame aside, then drill and plug the previously marked holes.
8. Having ensured all connections have been completed, secure the mounting frame to the appliance.
9. Re-hang the fascia at the hinges and refit the fascia retaining bracket and secure it with the screw.
10. Brace the fascia open and connect the two gas springs into the appropriate brackets. Secure with washers and wing nuts (see **Figure 64**).
11. Check the operation of the fascia.
12. For Manual Control models, proceed to **Section 3.9.10** to commission the appliance.
13. For other control options, proceed to **Section 3.9.6 to 3.9.9** (Continuation of installation) as applicable.

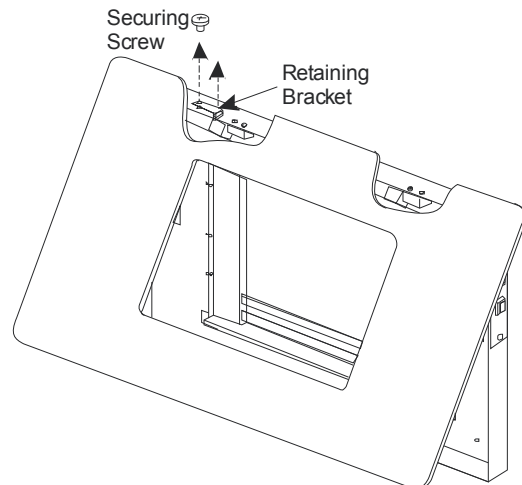


Figure 61

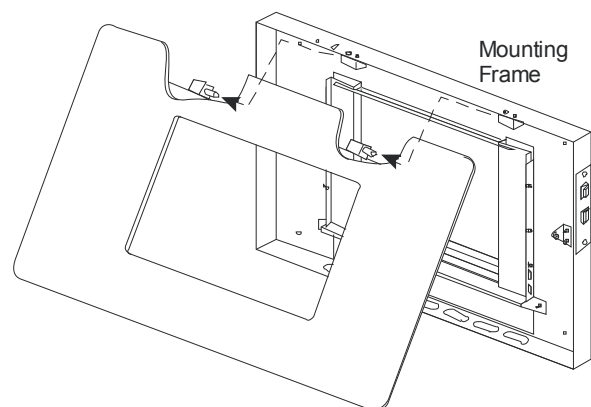


Figure 62

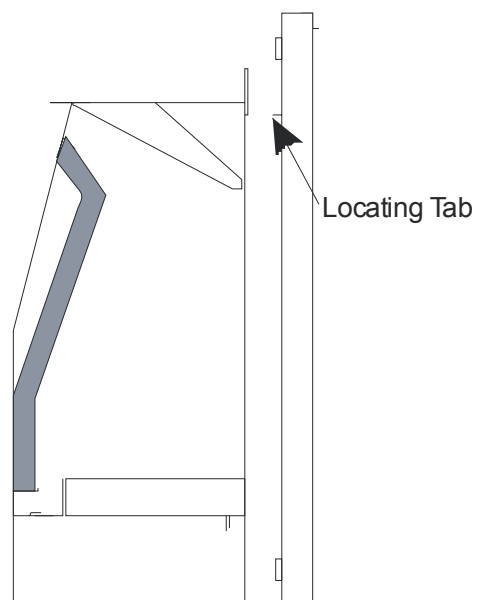


Figure 63



The fascia mounting frame must be flat and level in all directions when fitted. Failure to ensure this will result in poorly fitting fascia. Suitable material may be used behind the frame fixing points to level it.

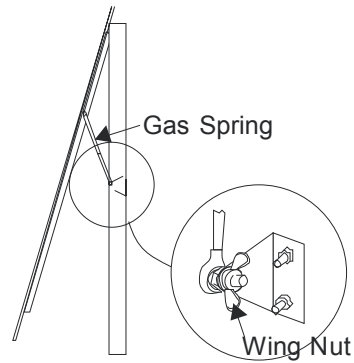


Figure 64

3.9.6. Continuation of Installation - Remote Control Model

1. Unpack the box containing the Receiver and the Hand Set.
2. Fit four AA (1.5V) batteries into the receiver unit and the PP3 (9V) battery into the transmitter (hand set).
3. Feed the cable from the receiver unit heat shield to the spade terminals on the control valve, keeping the cable clear of the underside of the tray. The cable connectors must be matched to the appropriately sized spade connector.
4. Position the receiver under the heat shield as shown in **Figure 65**.
5. Test the operation of the drive motor using the hand set as per Users Instructions (**Section 2.1.3 - Lighting Procedure (Remote Control)** on page 6).
6. Proceed to **Section 3.9.10** to commission the installation.

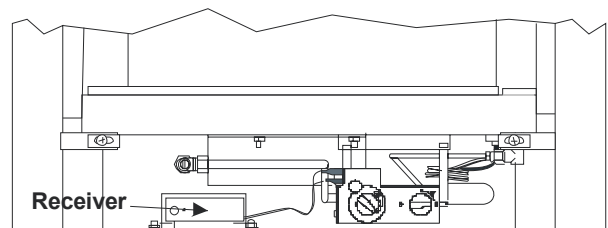


Figure 65

3.9.7. Continuation of Installation - Optimum Control Model

1. Find a suitable position for the wall switch, a maximum of **5 metres** of cable is supplied.
2. Fit the wall box into the wall. Cut cross-slots in the rubber grommet and feed the cable through it such that the end with four connectors is inside the box. Make good the surface around the wall box and cable runs.
3. Make the connections on the wall switches as shown in **Figure 66**.
4. Fit the connectors on the cable under the fire to the drive motor on the valve ensuring correct polarity. The cable connectors must be matched to the appropriately sized spade connector. Also ensure that the cable is neatly tucked away and not touching the underside of the tray.
5. Fit the batteries supplied into the battery pack and test the operation of the valve using the two switches (**Section 2.1.4 - Lighting Procedure (Optimum Control and Trim Switch Control)** on page 7).
6. Proceed to **Section 3.9.10** to commission the appliance.



Any plaster/cement used to secure the wall box must be completely cured (dry) before installing the batteries or fixing the switch plate.

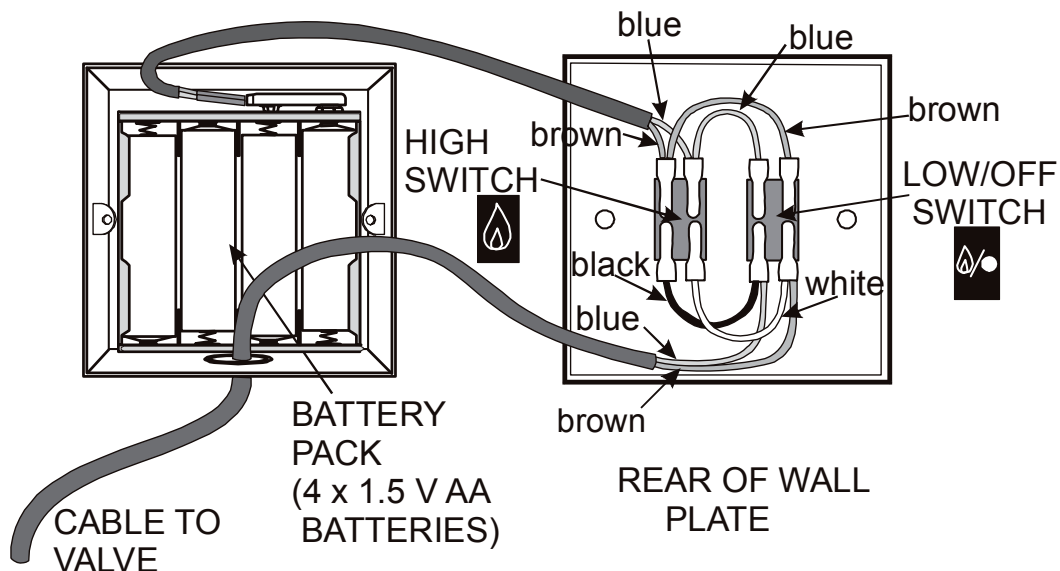


Figure 66

3.9.8. Continuation of Installation - Trim Switch Control Model

1. Unpack the battery pack and connect to the battery connection on the cable.
2. Fit the connectors on the cable to the drive motor ensuring correct polarity. The cable connectors must be matched to the appropriately sized spade connector. Position the battery pack inside the heat shield (see **Figure 65**).
3. Test the operation of the drive motor using the trim switches (**Section 2.1.4 - Lighting Procedure (Optimum Control and Trim Switch Control)** on page 7).
4. Proceed to **Section 3.9.10** to commission the appliance.

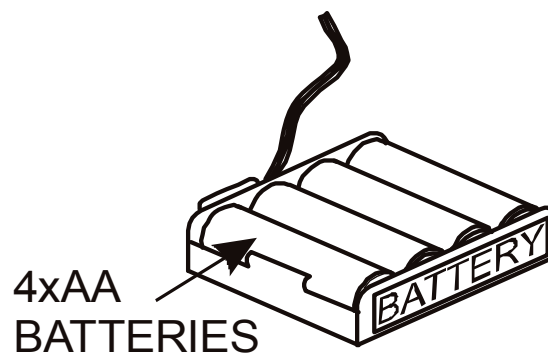


Figure 67

3.9.9. Continuation of Installation – Total Control

1. Unpack the box containing the Receiver and the Hand Set.
2. Fit four AA (1.5V) batteries into the receiver unit and the PP3 (9V) battery into the transmitter (hand set).
3. Feed the cables from the valve through the heat shield and connect to the receiver as shown in **Figure 68**, keeping the cables clear of the underside of the tray. Do not force the valve cable when inserting into the receiver – it only fits one way.
4. Position the receiver under the heat shield as shown in **Figure 65**.
5. Test the operation of the drive motor using the hand set as per Users Instructions (**Section 2.1.5 Lighting Procedure (Total Control)** on page 8).
6. Proceed to **Section 3.9.10** to commission the appliance

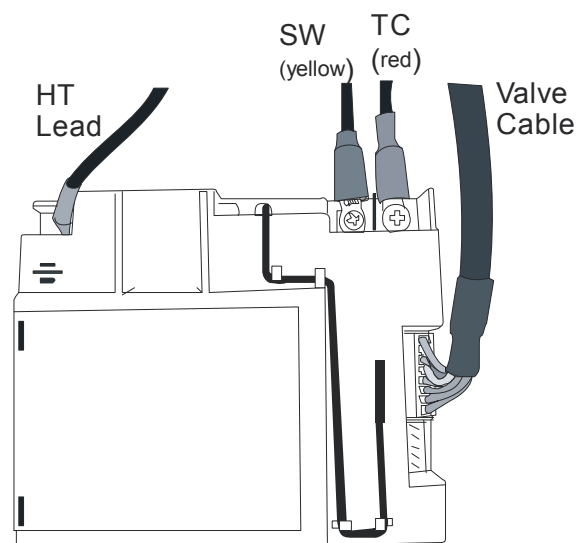


Figure 68

3.9.10. Commissioning

1. Turn on the gas supply to the fire and purge the gas line. Check all the gas joints for gas soundness.
2. Remove the pressure test point screw located as shown in **Figure 42** and **Figure 43** and connect a pressure gauge.
3. Ignite the pilot in accordance with the User Instructions.
4. Set the controls to give full gas rate at the main burner.
5. Ensure that the pressure at the pressure test point is as given in section **3.4. Technical Data** in this booklet. Alternatively the information is given on the data badge of the appliance.
6. If the correct pressure cannot be achieved, then some potential causes of low pressure are:
 - a) Supply pipes are not of large enough diameter.
 - b) The supply pipes are blocked or partially blocked.
 - c) Restriction at the appliance isolation valve.
7. Set the controls to the low rate position (small flame position) and check the low rate setting pressure.
8. Turn the fire off and replace the pressure test point screw.
9. Lay the coals/pebbles in accordance with the instructions in the appropriate section for the model.
10. Fit the appropriate fire-front (e.g. fascia).
11. Proceed to carry out a spillage test.

3.9.11. Checking for Spillage

1. Close all doors and windows.
2. Turn the fire on to its full rate and leave it burning for 5 minutes.
3. Test for spillage using a smoke match (in a 'Blume tube') at the top of the appliance, fireplace opening or under the canopy at the centre, with the smoke match being approximately 25mm under and 6 - 12mm inside the opening (see **Figure 69**).
4. If the test indicates spillage, repeat the test after a further 10 minutes
5. If the fire shows tendency to spill, this may indicate either an installation fault or a flue construction fault. **Disconnect the fire and seek expert advice.**

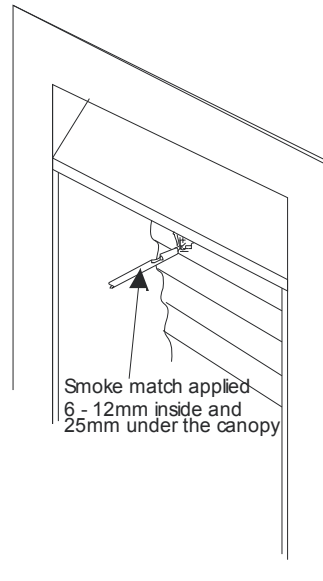





Figure 69

	The imitation fuels must be laid in accordance with the instructions prior to commencing the spillage test.
--	---

	If there are any extractor fans in the nearby rooms then repeat the smoke match test with all these fans operating and any interconnecting doors open between the fans and the fire.
--	--

3.9.12. Instructing the User

The installer must hand over these instructions to the user and explain how to operate this fire, stressing the importance of having the fire checked and serviced regularly. An annual service is recommended.

	It is mandatory as part of the gas installation that the installer instructs the user on the correct operation and care of their appliance.
---	---

4. SERVICING INSTRUCTIONS

4.1. *General Requirements*

All repairs and servicing must be carried out by a qualified registered gas installer (e.g. member of Gas Safe in GB) in accordance with the current Gas Safety (Installation and Use) Regulations and these instructions.

Before any servicing is carried out ensure that the gas and electrical supply (where applicable) have been isolated.

After any servicing or replacement of any parts, the appliance should be re-commissioned.

4.2. *Servicing Instructions*

As part of the appliance service, the flue and fireplace opening should be checked for soundness and any debris removed. For this the fascia and the firebox will need removal.

Refer to section **3.9.5** for removing the fascia.

Refer to the section:

2.7.1– Cleaning the Fire-bed on Page 19

and section:

2.7.2- Cleaning the Pilot on Page 20.

On completion of the servicing, a spillage test must be carried out.



WARNING: ODS Pilot Assembly

Under no circumstances should the pilot assembly be adjusted or put out of action by the installer. In case the pilot needs replacing, only the approved part (available from your supplier or Magiglo Ltd.) should be fitted. Note: if any part of the pilot assembly becomes faulty the complete assembly will need replacing.

4.3. Replacing Parts

For any spare parts that are required, please contact either your supplier or the manufacturer directly. You will either need the **serial number** or: a) model name; b) the gas type; c) the imitation fuel type; d) the type of control.

Only approved parts should be used.

4.3.1. Pilot Assembly Replacement



NOTE: If any part of the pilot assembly becomes faulty then the whole pilot assembly will need changing.

1. Remove the HT lead from the end of the electrode.
2. Cut the cable tie wrap.
3. Using M9 spanner undo the thermocouple connection from behind the control valve
4. Using M10 spanner undo the pilot feed pipe nut at the pilot assembly.
5. Remove the pilot lint guard and undo the pilot assembly securing screws and withdraw the pilot assembly.
6. Refit in reverse order ensuring that the lint guard is fitted.

4.3.2. Injector Replacement

1. Undo the compression nut on the gas feed pipe to the injector (see **Figure 70**).
2. Undo the valve securing screw/s and disengage the gas feed tube out of the injector.
3. Remove the four venturi housing securing nuts and lift off the housing.
4. Unscrew the injector securing nut from inside the venturi housing and remove the injector.
5. Replace in reverse order ensuring that the replacement jet size (marked on the jet) is as given on the data badge.

Ensure that a new fibre sealing gasket is fitted.

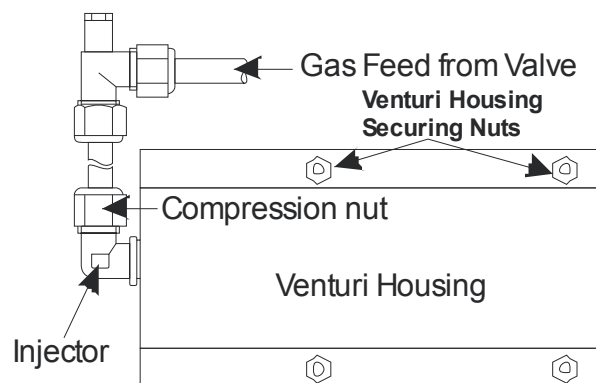


Figure 70

4.3.3. Control Valve Replacement (Mertik GV34)

1. Disconnect the pilot feed pipe, the main gas feed pipe and the thermocouple connection from the back of the valve.
2. Pull out the HT lead connection from under the electrode and cut the cable tie wrap.
3. Remove the valve securing screw/s and withdraw the valve.
4. Refit the new valve in reverse order ensuring that the valve spacers (on Mertik valve) are in place.
5. Roll up the excess length of HT lead and secure it to the rolled up thermocouple cable with a new tie wrap.

4.3.4. Motor Replacement (Remote/Optimum/Trim Switch Control)

The gas rate adjusting motor is replaceable in situ.

1. Remove the batteries from the receiver unit to prevent the risk of short circuit.
2. Remove the two motor connection tags from the valve.
3. Remove the valve cover securing screw (see **Figure 71**).
4. Pull out the HT lead from the side of the valve.
5. Unclip the valve cover from the valve on the right hand side by inserting a very small screwdriver in the slot on the right hand front of the cover and gently pull towards you to remove the cover.
6. Turn the gas rate adjusting knob fully anticlockwise and gently manipulate the motor free from the valve (see note, **Figure 72** and **Figure 73**)
7. Replace with new motor ensuring that the motor is hooked into the right hand lug.
8. Replace the cover and secure with the screw. Refit the HT lead.
9. Remake the motor connections ensuring that the large tag is fitted to the large spade (top connection) and vice versa.
10. Replace the batteries ensuring the correct polarity.
11. Operate the hand set to check the operation of the motor.

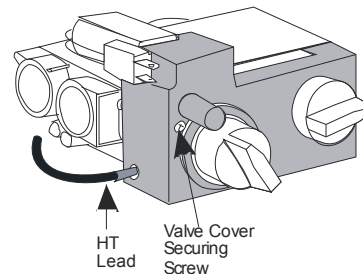


Figure 71

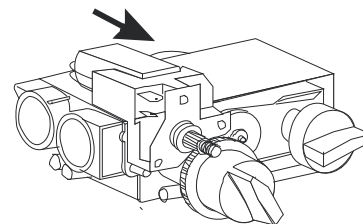


Figure 72

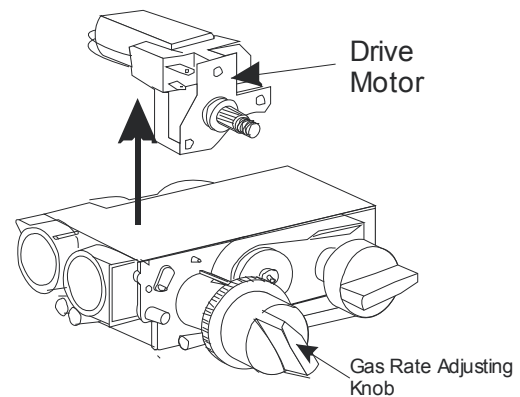


Figure 73

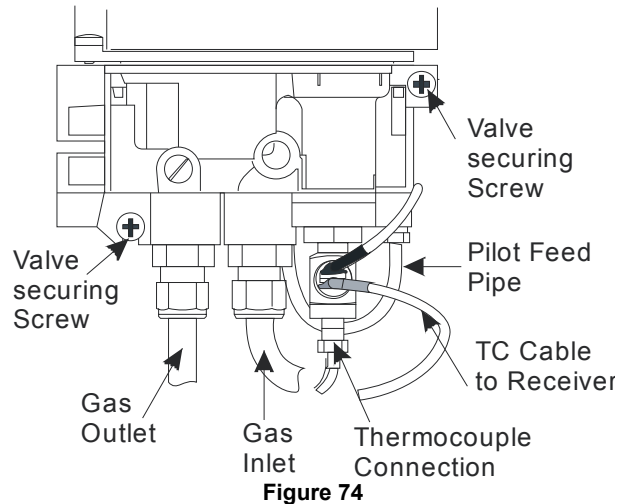


Note: Operating the gas rate adjusting knob manually will cause the motor clutch to operate. This is normal and will not affect the valves' operation.

4.3.5. Replacing Mertik GV60 Valve (Total Control)

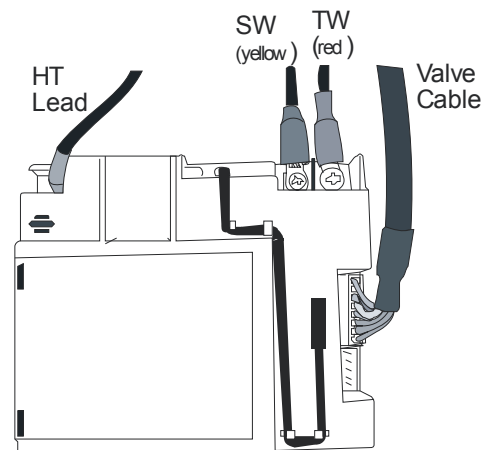
Referring to **Figure 74**:-

1. Remove all the gas connections on the valve including the pilot feed pipe.
2. Remove the thermocouple connection from the interrupter block at the rear of the valve.
3. Pull out the TC cable with the red tab from the interrupter block.
4. Unscrew the cable with yellow identifying insulation from the receiver.
5. Remove the two valve securing screws and withdraw the valve.
6. Refit the replacement valve in reverse order ensuring that the valve spacers are fitted.




4.3.6. Replacing the Receiver (Total Control Model)

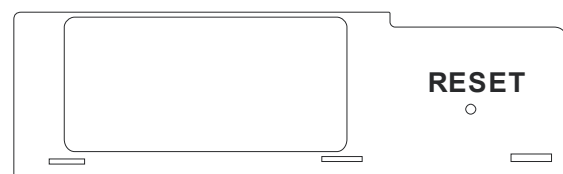
1. Pull out the receiver from under the heat shield and remove the batteries.
2. Gently pull out the HT lead and the valve cable from the receiver (see **Figure 75**).
3. Unscrew and remove the SW and TC connections.
4. Refit in reverse order (the valve cable plug fits into the receiver in one way only).
5. Replace the batteries and return the receiver under the heat shield.



4.3.7. Programming Handset to Receiver (Total Control)

If for some reason the remote handset requires re-programming to operate the receiver follow the procedure below:

1. Press and hold, using a pointed object, the receiver's reset button until you hear two acoustic signals (see **Figure 76**).
2. After the second longer acoustic signal, release the reset button and within the subsequent 20 seconds, press the  (small flame) on the remote handset until you hear an additional long acoustic signal confirming the new code is set.



4.3.8. Replacing the Ceramic Back and Sides

The ceramic back and sides are replaceable in situ.

1. Isolate and disconnect the gas supply from the burner tray.
2. Remove the burner tray fixing screws and withdraw the burner from the firebox.
3. Remove the rear ceramic retaining bracket and withdraw the rear ceramic.
4. Remove the side ceramic retaining brackets, slide down the ceramic panels and withdraw from firebox.
5. Refit in reverse order ensuring that the radiused front edges on the side panels are facing away from the flange of the firebox (see **Figure 77**). Also ensure that the top edge of the rear ceramic engages into the top retaining fold in the firebox.

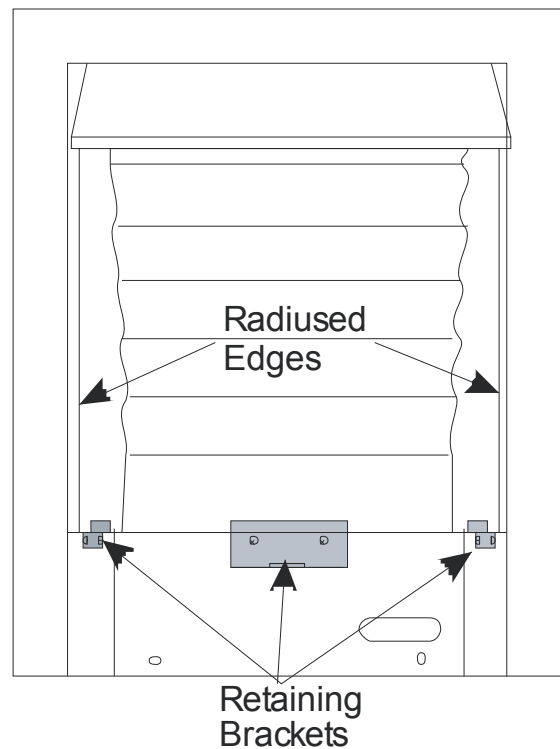


Figure 77

RCF Advice:

This product may use Components (Coals, Pebbles, Driftwood & Ceramic backs) containing Refractory Ceramic Fibres (RCF), which are man-made vitreous silicate fibres. Excessive exposure to this material may cause irritation to eyes, skin and respiratory tract.



Therefore during installation and servicing we recommend that you use a HEPA filtered vacuum to remove any dust and soot accumulated in and around the fire before and after working on the fire, to ensure that the release of fibres from these RCF articles is kept to a minimum.

We recommend that you should follow the normal hygiene rules of not smoking, eating or drinking in the work area.

When replacing Components containing Refractory Ceramic Fibres (RCF), we recommend that the replaced items are not broken up, but are sealed within heavy duty polythene bags, and clearly labelled as RCF waste. RCF waste may be disposed of in suitably licensed landfill sites.

4.4. Installation and Operational Troubleshooting

The table below is intended for problems related to the fire and its gas controls. It is a guide only and does not take into account every eventuality. Servicing must be carried out in accordance with the current Gas Safety (Installation and Use) Regulations, by a competent person.

It is recommended that the purchaser seek the advice of the original installer in case of encountering any problems.

Symptom	Cause	Remedy
No spark appears at the electrode	a) Electrode cracked or broken	Replace pilot assembly
	b) HT lead shorting out on burner body	Establish where spark is occurring and insulate or re-route lead accordingly.
	c) Faulty spark generator	Replace valve
Piezo operates normally but pilot will not light	a) No gas supply	Check isolation valve/supply
	b) Pilot jet blocked	Replace pilot assembly
Pilot lights, but goes out when control is released	a) Loose thermocouple connection at control valve end	Remake thermocouple ensuring the connection is firm
	b) Faulty Thermocouple	Replace complete pilot assembly
Pilot and main burner go out when control is set to high position	a) Gas supply partially blocked	Locate restrict and remove faulty section
	b) Too many bends on gas inlet pipe	Increase diameter and/or reduce the number of bends
	c) Pilot jet partially blocked	Replace complete pilot assembly
	d) Restriction at Isolation valve	Ensure valve is fully open and that internal diameter is sufficient and free from grease
Fire burns with flames only on one side	a) Imitation fuel layout incorrect	Re-lay imitation fuel in accordance with instructions
	b) Excessive draught	Establish cause and rectify
Fumes enter room when the fire is in operation	a) Blocked flue	Remove blockage in flue
	b) Insufficient replacement air	Check air vents are free of obstructions



Warning: If you are in any doubt about the clearance of fumes, you must stop using the appliance immediately and seek expert advice. Do not use appliance until the fault has been rectified.

Remote Control, Trim Switch, Optimum Control & Total Control Models

Symptom	Cause	Remedy
Main burner will not come on when required even though the drive motor is heard to be operating	Ignition knob incorrectly set	Set the ignition knob at the 9 o'clock position.
Motor not functioning when buttons are pressed	a) Flat hand set battery (Remote Control)	Replace battery (1 X PP3)
	b) Flat batteries in receiver unit (Remote Control)	Replace all 4 AA batteries
	c) Flat batteries in battery holder (Trim Switch and Optimum Control)	Replace all 4 AA batteries
Remote Control will turn fire off but will not turn on	Incorrect hand set operation	Ensure two buttons are pressed to turn on
A prolonged audible signal is heard when attempting to light the fire with the remote handset (Total Control Model only).	ON/OFF switch on control valve in OFF position.	Turn the switch to ON position



NOTE: If any part of the pilot assembly (i.e. thermocouple, electrode, jet or burner) becomes faulty the whole pilot assembly will need changing.



NOTE: For any spare parts that are required, please contact either your supplier or the manufacturer directly. You will either need the **serial number** or: a) model name i.e. Affinity Plus 20 or Allusion Plus 20; b) the gas type; c) the imitation fuel type; d) the type of control.

Only approved parts should be used.

This page is intentionally left blank



Burley Magiglo fires are protected by
UK patents 2193802, 2240620 and 2256920
Other Patents Pending

Magiglo is a registered trademark of Burley Appliances Ltd.



Burley Appliances Ltd, Lands End Way
Oakham, Rutland, LE15 6RB

Tel: 01572 725570 Fax: 01572 724390
www.magiglo.co.uk Email: info@magiglo.co.uk