



DUO

Fuel Effect Options:

Coal Effect

Pebble Effect

Both available on NG & LPG

Control Options:

Manual BM Control

Upgradeable Manual Control

Remote Control (Response-S)

Optimum Control

Trim Switch Control

Total Control

Installation Options:

Installation using Freedom Surround

For use on Natural Gas (G20) at a supply pressure of 20mbar
or Propane (G31) at a supply pressure of 37mbar in GB and IE
(Dependent upon model)

**Users,
Installation & Servicing
Instructions**

MUST BE LEFT WITH THE USER

Manufacturer Contact Details:

Burley Appliances Ltd
Lands End Way
Oakham, Rutland, LE15 6RB

Tel: +44 (0)1572 725570
Fax: +44 (0)1572 724390

General E-Mail: info@magiglo.co.uk
Web Site: www.magiglo.co.uk
Technical Support: Direct Dial on **(01572) 725570** or email: **technical@magiglo.co.uk**

Burley Magiglo Document Number:

MF272.61 CAS

Revision Date:

22 October 2009

Copyright:

This documentation is copyrighted by Burley Appliances Ltd. ©2009.

No part of this document may be copied, photocopied or reproduced in any form or by any means without permission in writing from Burley Magiglo.

Magiglo is a registered trademark of Burley Appliances Ltd.

Service Warranty:

In the unlikely event of a defect in materials or workmanship occurring within one year of purchase, Burley Magiglo will arrange to repair or replace the item free of charge.

Any claims under this warranty must be made through the retailer from whom the product was purchased.

As the purchaser's contract of sale is with the retailer, Burley Magiglo are unable to enter into discussions with the purchaser until the retailer has inspected any claim and deemed it to be valid.

Burley Magiglo reserve the right to refuse service or make a charge for any service call, when a defect is due to installation error or misuse.

Extended warranty (if purchased) commences after the first year; please see separate registration for further information.

Appliance Details:

For future reference, please complete the following information at the time of installation.

Model and **Serial Number** details may be found on the data plate as shown.

Serial Number	
Model	
Installation Date	
Installed By	

This appliance must be installed in accordance with the rules in force, and only used in a sufficiently ventilated space. Consult instructions before installation and use.

SPILLAGE TEST
Close all doors and windows. Light a candle (1") below and 6 to 12cm (4 to 5") inside the top panel. Turn on the fan at the centre point of the opening. If the test continues to indicate spillage, the fan must be disconnected until the fault has been corrected. If in doubt seek expert advice.

Duo
Remote Control

GAS FAMILY	G20 (NG)
SUPPLY PRESSURE	20mbar
DIRECT CONTROL	GB IE
APPLIANCE CATEGORY	3a
PROJECTOR TYPE	Not Applicable
RATED INPUT (GROSS)	6.9kW
SETTING PRESSURE (COLD)	6.0mbar @ 20mbar

SERIAL NUMBER: 0 100 012

MAGIGLO ROADSTAIRS, KENT CT10 2YJ

MAGIGLO CE 03 0120

Model

Serial Number

Contents

1. General Information	1
1.1. Important Note About ODS Pilot	2
1.2. Fire Fret Dimensions	3
2. User Instructions	5
2.1. Lighting Procedure	5
2.1.1. Lighting Procedure (Manual BM Control)	6
2.1.2. Lighting Procedure (Upgradeable Manual Control)	7
2.1.3. Lighting Procedure (Remote Control)	8
2.1.4. Lighting Procedure (Optimum Control and Trim Switch Control).....	9
2.1.5. Lighting Procedure (Total Control).....	10
2.1.6. Manual Operation (Total Control)	11
2.2. Battery Replacement (Remote Control & Total Control)	12
2.2.1. Handset.....	12
2.2.2. Receiver Unit	12
2.3. Battery Replacement (Optimum Control)	13
2.4. Battery Replacement (Trim Switch Control).....	13
2.5. Fuel Effect Layout	14
2.5.1. Coal Effect Layout.....	15
2.5.2. Pebble Effect Layout.....	16
2.6. Fitting a Standard Trim (If supplied).....	17
2.7. Fitting an ioss Fascia (if supplied).....	17
2.8. Home Improvements	18
2.9. Cleaning and Care Instructions	19
2.9.1. Cleaning the Fire-Bed and the Imitation Coals/Pebbles	19
2.9.2. Cleaning the Pilot.....	20
2.9.3. Cleaning the Fire Back.....	20
2.9.4. Black Painted Metal Surfaces.....	20
2.9.5. Brass or Chrome Surfaces.....	21
2.9.6. Stainless Steel	21
2.9.7. Care of Ceramic Backs	21
3. Installation Instructions	23
3.1. General Safety Requirements	23
3.2. Flue Requirements	23
3.3. General Dimensions.....	25
3.4. Appliance Location	26
3.4.1. Floor Level and Raised Fireplace Openings.....	27
3.4.2. Physical Barrier	28
3.5. Ventilation.....	30
3.6. Technical Data	30
3.7. Pressure Test Point Location	30
3.8. Contents Checklist	31
3.9. Installation Procedure.....	32
3.9.1. Installation using Freedom Surround	32
3.9.2. Freedom Surround Installation (if applicable)	33
3.9.3. Installation Using a Spacer Frame (if applicable)	34
3.9.4. Installing the Fire (without Freedom Surround).....	34
3.9.5. Installing the Fire (with Freedom Surround).....	35
3.9.6. Connecting the Gas Supply	36
3.9.7. Continuation of Installation - Remote Control Model	36
3.9.8. Continuation of Installation - Optimum Control Model	37
3.9.9. Continuation of Installation - Trim Switch Control Model	38

3.9.10. Continuation of Installation – Total Control	38
3.9.11. Commissioning	39
3.9.12. Checking for Spillage	40
3.9.13. Instructing the User.....	40
4. Servicing Instructions	41
4.1. General Requirements	41
4.2. Servicing Instructions	41
4.3. Replacing Parts	42
4.3.1. Pilot Assembly Replacement	42
4.3.2. Injector Replacement	42
4.3.3. Control Valve Replacement (BM and Mertik GV34)	42
4.3.4. Motor Replacement (Remote Control / Optimum Control / Trim Switch Control Models)	43
4.3.5. Control Valve Replacement (Total Control)	44
4.3.6. Replacing Receiver (Total Control).....	44
4.3.7. Programming Handset to Receiver.....	44
4.4. Installation and Operational Troubleshooting.....	45

1. GENERAL INFORMATION

Introduction

1. This appliance is suitable for installation in GB and IE and should be installed in accordance with the rules in force.

In GB, the installation must be carried out by a Gas Safe Registered Installer registered for working on this type of appliance. It must be carried out in accordance with the relevant requirements of the:

- Gas Safety (Installation and Use) Regulations.
- The appropriate Building Regulations either The Building Regulations, The Building Regulations (Scotland), Building Regulations (Northern Ireland).

Where no specific instructions are given, reference should be made to the relevant British Standard Code of Practice (see item 2).

In IE, the installation must be carried out by a Competent Person and installed in accordance with the current edition of I.S.813 "Domestic Gas Installations", the current Building Regulations and reference should be made to the current ETCI rules for electrical installation.

On completion of an installation in IE, it is necessary to complete a "Declaration of Conformity" to indicate compliance to I.S.813.

2. The installation of the fire in GB should follow the recommendations of the following current British Standards:

BS 5871: Pt 3	Installation of Decorative Fuel Effect Gas Fires
BS 6891	Pipe work Installation
BS 5440: Pts 1 & 2	Flues and Ventilation
BS EN 1856	Chimneys - Requirements for metal chimneys - System chimney products
BS 715	Metal flue boxes
BS EN 1858	Chimney – Components – Concrete flue blocks
IGE/UP/7	IGE document for gas installations in Timber Frame Buildings (Available from CORGI or Institute of Gas Engineers)

3. In other EC countries equivalent rules in force must be used.
4. It is important for correct combustion of this fire that the imitation fuel is placed in accordance with the instructions given in this and associated booklets. Only approved imitation fuel, available from Burley Magiglo., should be used with this appliance.
5. It is recommended that a fire guard complying with BS 8423 be fitted for the protection of young children, the elderly or infirm.
6. This fire is intended for decorative purposes only.
7. The user is warned not to throw any rubbish onto the fire or to disturb the fuel bed.
8. The user is advised that the ceramics used within this appliance require extra care whilst cleaning. Please refer to the Cleaning Instructions.
9. It is important for the fire to be serviced regularly. An annual service is recommended.

Ventilation Requirements

1. For models with heat inputs not exceeding 6.9kW, normal adventitious ventilation is usually sufficient to satisfy the ventilation requirements of these appliances. In GB reference should be made to BS 5871 Part 3, and in IE reference should be made to the current edition of I.S.813 which makes clear the conditions that must be met to demonstrate that sufficient ventilation is available.
2. If provided, any purpose provided ventilation must be checked periodically to ensure it is free from obstructions.
3. When fitting the fire in Northern Ireland (NI), purpose provided ventilation must be provided in accordance with the rules in force.
4. In other EC countries equivalent rules in force must be used.

Flue Requirements

Class 1 - A flue having no cross sectional dimension less than 175mm (7") e.g. 225mm (9") by 225mm (9") Masonry chimney or 175mm (7") diameter clay liner.

Class 2 - A flue having no cross sectional dimension less than 125mm (5").

Pre-cast - A flue constructed of pre-cast concrete/terracotta blocks conforming to BS EN 1858.

Please refer to the full Flue and Chimney Requirements within the Installation Instruction section.

Gas Supply

1. This range of decorative gas fires are suitable for use with either Natural Gas (G20) at 20mbar supply pressure, or LPG (G31) at 37mbar supply pressure (please check appliance data plate for compatibility).
2. A separate means of isolating the gas supply should be provided near to the appliance to facilitate servicing. For this an isolating valve has been supplied.

Electrical Supply

Not applicable to this range of appliances.

1.1. Important Note About ODS Pilot

This fire is fitted with an ODS pilot which causes the appliance to shut down in the event of a reduction of oxygen (e.g. caused by poor ventilation) in the room. Should this happen, follow the lighting instructions to re-light the fire. In the event that the fire should shut down again, do NOT attempt to re-light it but contact your gas installer for remedial action to be taken.



Under no circumstances should it be adjusted or put out of action by the installer or the user. In case the pilot needs replacing, only the approved part (available from your supplier or Burley Magiglo.) should be fitted. Note: if any part of the pilot assembly becomes faulty the complete assembly will need replacing.

1.2. Fire Fret Dimensions

All models can be used with the Burley Magiglo range of frets or any other fire fret that falls within the dimensions shown below



The fireplace opening must be suitable in size to accommodate the fire being installed. If the appliance is to be used with other fireplace components, the installation must allow a minimum of 5 square inches of free air space below the base of the fire.

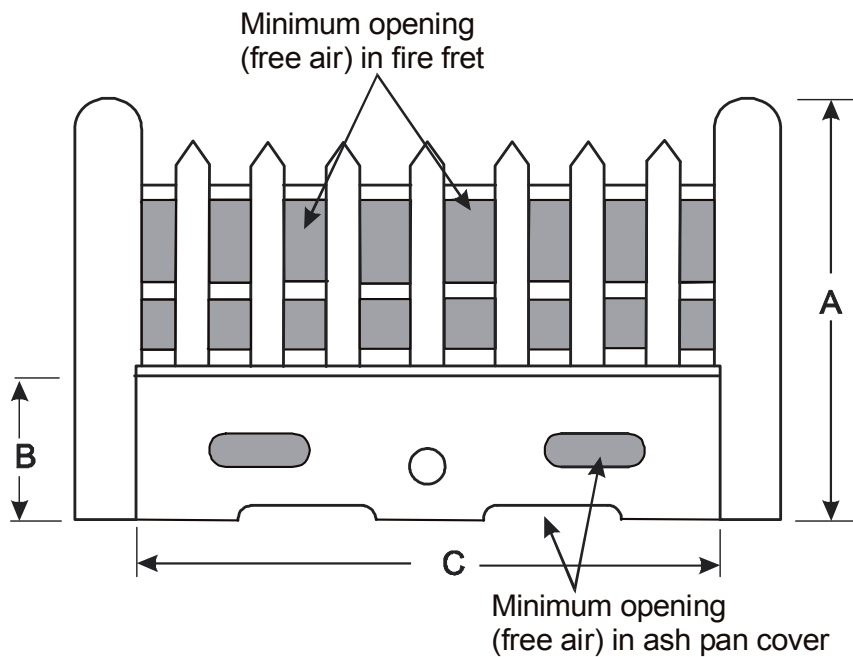


Figure 1

Fire Front Specification



Height to Centre (A)	Maximum	9 Inches (23cm)
	Minimum	7.5 Inches (19cm)
Ash Pan Cover Height (B)	Maximum	3.5 Inches (9cm)
	Minimum	2.5 Inches (6.4cm)
Ash Pan Cover Free Air Opening	Minimum	5 sq. Inches (32.3cm ²)
Fire Fret Free Air Opening	Minimum	15% of total fire front area above the base of the fire
Ash Pan Cover Length (C)	Maximum	13.5 Inches (34cm)
	Minimum	12.5 Inches (32cm)

This page is left intentionally blank

2. USER INSTRUCTIONS

2.1. Lighting Procedure

Your fire will be fitted with one of the following different types of gas control valves. Identify the control system on your fire as shown and follow the appropriate operating instructions in the appropriate section.

Control Valve		Operation		Control Type
	+	Manual	=	Manual BM Control See Section 2.1.1 on Page 6
	+	Manual	=	Upgradeable Manual Control See Section 2.1.2 on Page 7
	+		=	Remote Control See Section 2.1.3 on Page 8
	+		=	Optimum Control See Section 2.1.4 on Page 9
	+		=	Trim Switch Control See Section 2.1.4 on Page 9
	+		=	Total Control See Sections 2.1.5 & 2.1.6 on Pages 10 & 11

2.1.1. Lighting Procedure (Manual BM Control)

1. Ensure that the arrow on the control knob is pointing towards the OFF position as shown in **Figure 2**. Press in the knob and slowly turn anti-clockwise until a click is heard. The spark should now light the pilot. On first lighting, it may require several attempts to allow the pilot light to be purged of air.
2. The pilot can be viewed either at the front centre of the fire, or to the right hand side.
3. Once the pilot flame is established, hold the control knob in for approximately 10-20 seconds and release. The pilot should now remain alight. Repeat the procedure if necessary.
4. The arrow should now be pointing to the PILOT position as shown in **Figure 3**.
5. If the spark unit fails to light the pilot, the appliance may be lit manually by applying a lighted match or taper to the pilot jet and following the above procedure.



NOTE: No attempt should be made to relight the fire for at least 3 minutes after the pilot flame has been extinguished either intentionally or unintentionally.

7. Once the pilot is established, the main burner can be operated by turning the control knob anti-clockwise. The preset minimum is found with the arrow in the 9 o'clock position as shown in **Figure 4**.
8. The preset maximum (as shown in **Figure 5**) is found by turning the control knob fully anti-clockwise. The control is infinitely variable between the two preset limits.
9. To extinguish the main burner, push the control knob in and turn clockwise until the arrow is in the PILOT position, then release.
10. To extinguish the pilot, push the control knob in and turn it clockwise until the

arrow is in the OFF position, then release.



Figure 2 - Off Position

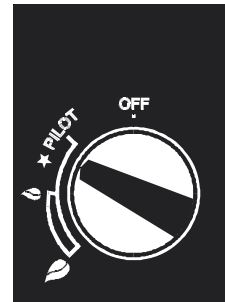


Figure 3 - Ignition Position

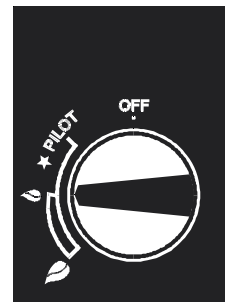


Figure 4 - Minimum Position

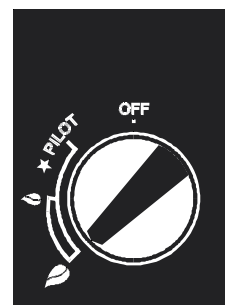
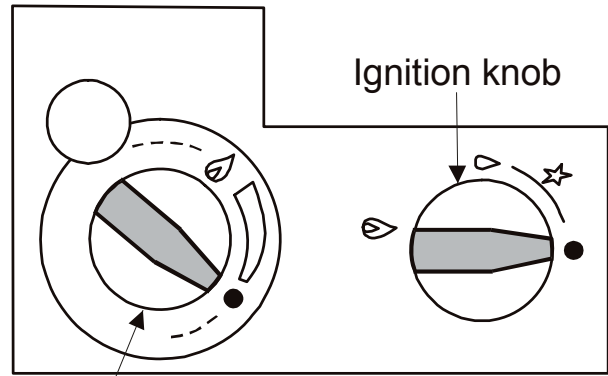


Figure 5 - Maximum Position

2.1.2. Lighting Procedure (Upgradeable Manual Control)

1. Whilst pushing the IGNITION KNOB in (see **Figure 6**), turn it anticlockwise to the pilot flame position as shown in **Figure 7**. During this process, the spark ignition will have operated and lit the pilot flame. On lighting the pilot flame continue to depress the ignition knob for a further 10 - 12 seconds then slowly release. The pilot flame should stay alight. If the flame goes out repeat the procedure above to establish the pilot.
2. If the spark unit fails to light the pilot, the appliance may be lit manually by applying a lighted match or taper to the pilot jet and following the above procedure.
3. Turn the IGNITION KNOB anticlockwise to the main flame position as shown in **Figure 8**.
4. Turn the GAS RATE ADJUSTING KNOB fully anticlockwise (until you reach the stop position) i.e. the maximum gas rate. See **Figure 9**.
5. The main burner will have cross-lit from the pilot.
6. Now the gas rate can be adjusted to the desired setting by turning the GAS RATE ADJUSTING KNOB to any position between the pre-set high and low.
7. To switch off the main burner turn the IGNITION KNOB to the 'Pilot burner only Position' as shown in **Figure 7**. The appliance may be left in this standby mode if desired.
8. To turn the pilot off turn the Ignition Knob on the control valve fully clockwise to '●' position.



Gas rate adjusting knob
Figure 6 - Off Position

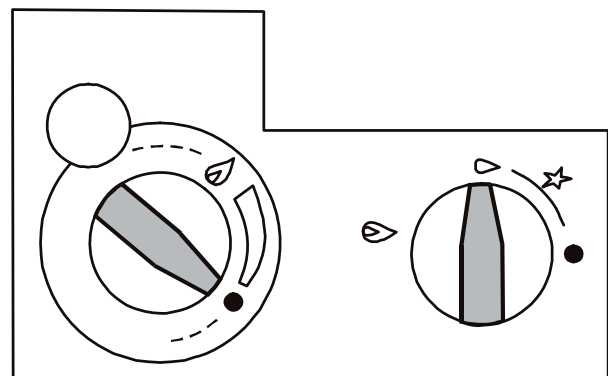


Figure 7 - Pilot burner only

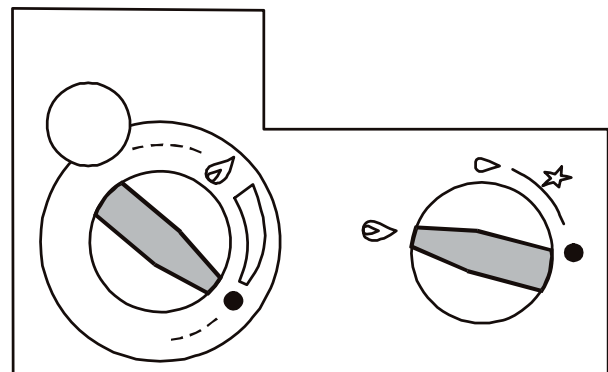


Figure 8 - Main burner operational, but gas flow off

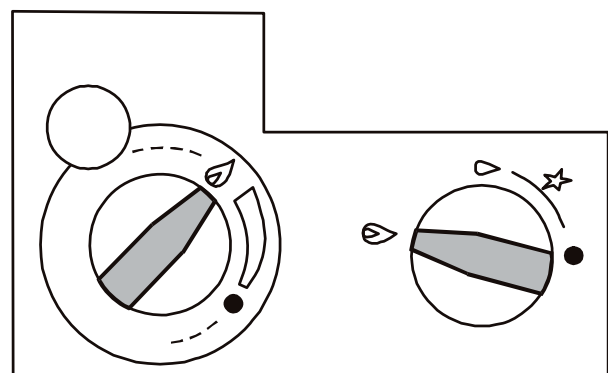


Figure 9 - Main Burner operational & Maximum Gas Rate



NOTE: No attempt should be made to relight the fire for at least 3 minutes after the pilot flame has been extinguished either intentionally or unintentionally.

2.1.3. Lighting Procedure (Remote Control)

1. Press the bottom button on the remote handset until clicking is heard on the valve, and the gas rate adjustment knob is at the off position.
2. With gas available at the valve press the IGNITION KNOB in and turn it anticlockwise to the pilot flame position. A click of the piezo igniter will be heard and a spark will appear at the electrode. At the same time the gas will flow to the pilot burner and should be ignited by the spark. Repeat the procedure until the pilot flame is established.
3. Keep the knob pressed in for a further 10 - 12 seconds and slowly release it. The pilot flame should stay alight. If the flame goes out repeat the procedure above to establish the pilot.
4. If the spark unit fails to light the pilot, the appliance may be lit manually by applying a lighted match or taper to the pilot jet and following the above procedure.
5. Turn the IGNITION KNOB anticlockwise to the Main Burner Operation position as shown in Figure 10.
6. Using the HANDSET (as shown in Figure 11) press and hold both the top and the small button together until the main burner goes to full rate and clicking can be heard from the valve. During this process the main burner will ignite from the pilot.
7. By pressing the two buttons together (to increase the gas rate) and the lower button only (to decrease the gas rate) the valve can be manipulated to select the desired gas rate between maximum and minimum. By pressing the buttons in short bursts you will be able to adjust the gas rate in small steps.
8. To turn the fire off, continuously press the lower button until the flame dies down and clicks can be heard from the valve. Release the button as soon as the clicks are heard.
9. The fire can safely be left in this position at all times, however to prevent unauthorised or accidental use (say by children) it is recommended to turn the IGNITION KNOB to the pilot flame position by turning it 90 degrees clockwise. To turn the pilot off, turn the IGNITION KNOB fully clockwise.



NOTE: The clicking sound made by the valve is the operation of the valve clutch, and indicates either maximum or minimum positions.

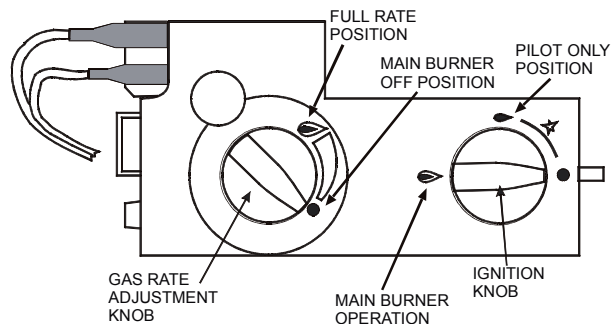


Figure 10 – Gas Valve

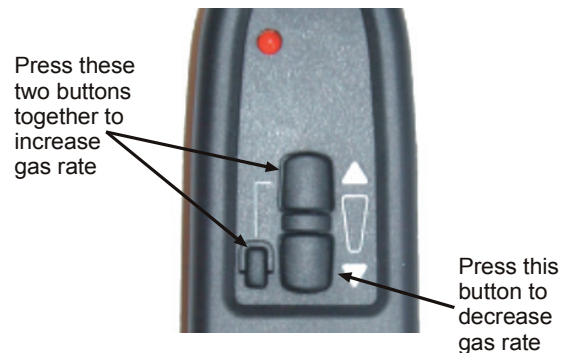






Figure 11 - Handset Operation



NOTE: No attempt should be made to relight the fire for at least 3 minutes after the pilot flame has been extinguished either intentionally or unintentionally.

2.1.4. Lighting Procedure (Optimum Control and Trim Switch Control)

1. Ensure the main burner is off by pressing the button on the trim marked  ('small flame/dot') until clicking is heard on the valve (see **Figure 12/Figure 13**).
2. With the gas available at the valve press in the IGNITION KNOB and turn it anticlockwise to the pilot flame position (see **Figure 14**). A click of the piezo igniter will be heard and a spark will appear at the electrode. At the same time the gas will flow to the pilot burner and will be ignited by the spark. Repeat the procedure until the pilot flame is established.
3. Keep the knob pressed in for a further 10 - 12 seconds and slowly release. The pilot flame should stay alight. If the flame goes out repeat procedure above to establish the pilot.
4. If the spark unit fails to light the pilot, the appliance may be lit manually by applying a lighted match or taper to the pilot jet and following the above procedure.
5. **Turn the IGNITION KNOB anticlockwise to the main flame position.**
6. Press and hold the  ('large flame') button (in **Figure 12/Figure 13**) until clicking is heard (fully open).
7. The main burner will have cross-lit from the pilot.
8. Now the gas rate can be adjusted to the desired setting by pressing the  ('small flame/dot') button. Any rate between the pre-set high and low can be obtained using the two buttons.
9. To switch off the main burner press and hold the  ('small flame/dot') button until clicking is heard from the valve (OFF position).
10. The fire can safely be left in this position at all times, however to prevent unauthorised or accidental use (say by children) it is recommended to turn the

IGNITION KNOB to the pilot flame position by turning it 90 degrees clockwise. To turn the pilot off, turn the IGNITION KNOB fully clockwise.



NOTE: The clicking sound made by the valve is the operation of the valve clutch, and indicates either maximum or minimum positions.

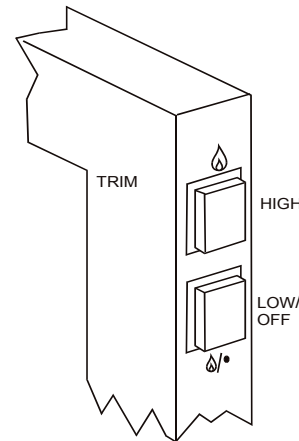


Figure 12 – Trim Switch

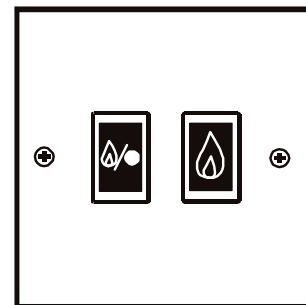


Figure 13 - Wall Switch

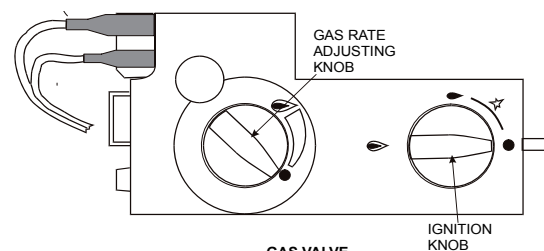


Figure 14



NOTE: No attempt should be made to relight the fire for at least 3 minutes after the pilot flame has been extinguished either intentionally or unintentionally.

2.1.5. Lighting Procedure (Total Control)

1. Ensure that gas is available at the valve and the ON/OFF switch in the ON position (→).
2. Simultaneously press and hold the ● (red circle) and 🔥 (large flame) buttons until a short acoustic signal confirms the start sequence has begun, then release the buttons (see **Figure 15**).
3. Continuing signals confirm the ignition is in process. **Once the pilot is lit the gas rate adjusting knob automatically turns to high gas rate.** The main burner cross-lights from the pilot.
4. To adjust the gas rate to desired setting press the 🔥 (large flame) to increase the flame height or 🔥 (small flame) to decrease the flame height on the handset (see **Figure 16**).
5. For fine adjustment tap the 🔥 or 🔥 buttons.
6. To leave the burner in the **standby mode** press the 🔥 (small flame) until the main burner goes out. In the standby mode the pilot stays alight.
7. To **turn off** the main burner and the pilot press the 'OFF' button on the hand set.

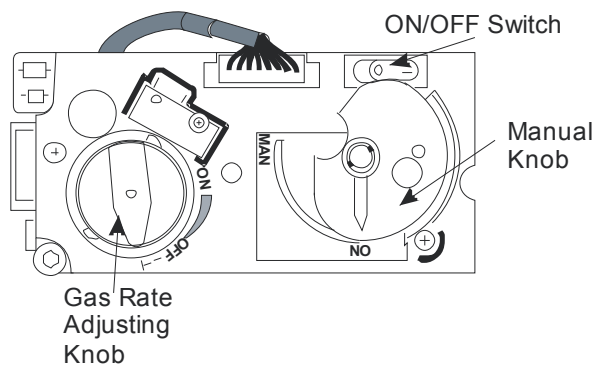


Figure 15 – Total Control Gas Valve

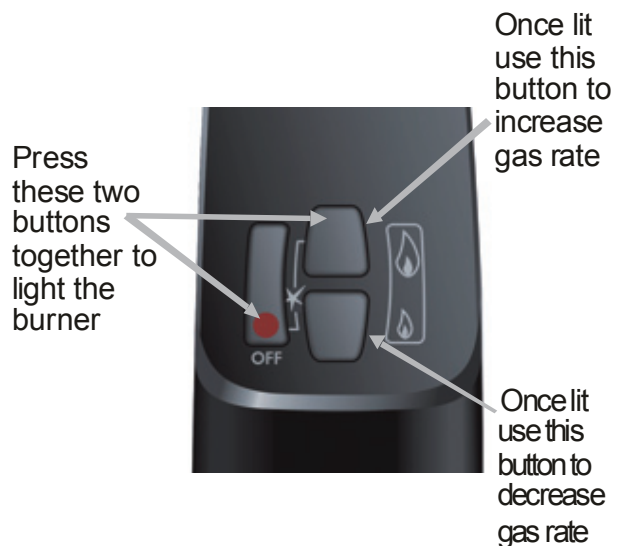


Figure 16 – Total Control Handset



WARNING: Ensure that the fire is operated only whilst present in the room where it is fitted.

2.1.6. Manual Operation (Total Control)

In emergency the appliance can be operated manually as follows:

1. Turn the Gas Rate Adjusting knob fully clockwise to the **OFF** position. A clicking sound will be audible, but this is perfectly alright.
2. Turn the Manual knob clockwise to **MAN** position (see **Figure 17**).
3. Ensure that the ON/OFF switch is in the ON (→) position.
4. Using a rigid slender object (like a screwdriver) depress the pilot valve operator through the large hole in the knob (see **Figure 18**) and light the pilot using a match or lighted taper.
5. Keep the valve operator depressed for a further 10 seconds and slowly release. The pilot should stay alight. Repeat step 4 if necessary.
6. Turn Manual knob anticlockwise to **ON** position.
7. Turn the Gas Rate adjusting knob anticlockwise to **ON** position to turn the main burner on. Adjust this knob to get the desired gas rate between maximum and minimum.
8. To turn the main burner off but, leaving the pilot on, turn the Gas Rate adjusting knob fully clockwise past the **OFF** position.
9. To turn the pilot off place the **ON/OFF** switch to **OFF (O)** position.

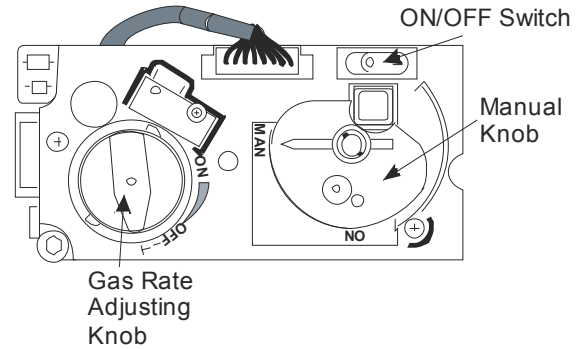


Figure 17

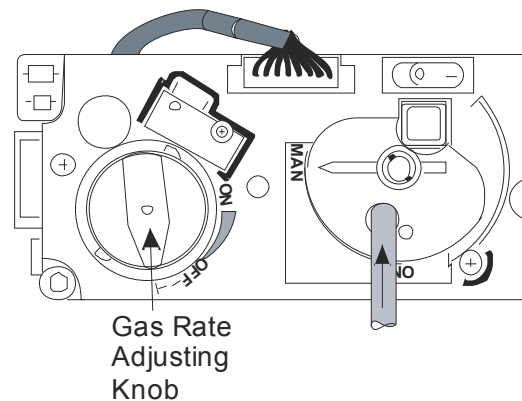


Figure 18



NOTE: No attempt should be made to relight the fire for at least 3 minutes after the pilot flame has been extinguished either intentionally or unintentionally.

2.2. Battery Replacement (Remote Control & Total Control)

2.2.1. Handset

1. On the reverse of the handset remove the battery cover by pressing down at the top of the cover and sliding down.
2. Remove and unclip the old battery and replace with a new PP3 9V battery.
3. Replace the cover.



Figure 19

2.2.2. Receiver Unit

1. Remove the receiver unit from under the fire burner (or from wherever positioned if mounted remotely) and remove the battery compartment cover (see diagram).
2. Replace the old batteries with new ones, ensuring they are inserted in the correct polarity.
3. Replace the cover on the receiver unit, ensuring that it is securely closed.
4. Return the receiver unit to its original mounting position.



Figure 20



CAUTION: With the exception of battery replacement, the battery holder must be located within the heat shield **at all times**.

2.3. Battery Replacement (Optimum Control)

1. The battery pack is mounted inside the wall-mounting box behind the wall switch plate.
2. To change the batteries remove the two small screws securing the wall plate using a small screwdriver.
3. Remove the battery pack from the wall box and replace the spent batteries with new ones (4 off 1.5V AA batteries) ensuring correct polarity.
4. Insert the battery pack back into the wall box and refit the wall plate ensuring that it is the right way up.
5. Secure with screws.

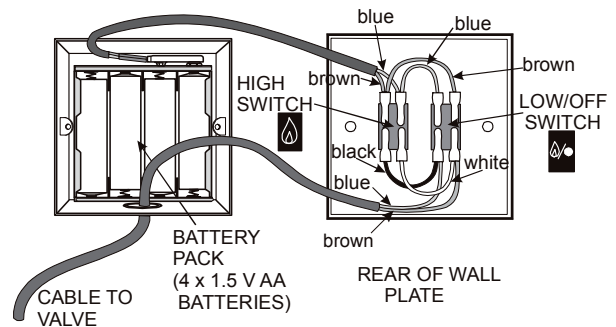


Figure 21

2.4. Battery Replacement (Trim Switch Control)

1. Open the Control Cover.
2. Slide out the battery holder from under the fire.
6. Replace **all** batteries with new ones (4 x AA batteries required). **Ensure that the batteries are inserted with correct polarity in the holder.**
7. Replace the battery holder into the battery compartment.
8. Close the Control Cover

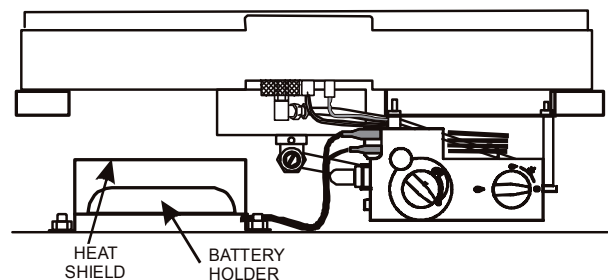


Figure 22



CAUTION: With the exception of battery replacement, the battery holder must be located within the heat shield **at all times**.

2.5. Fuel Effect Layout

You fire has been supplied with either Coal or Pebble effect. Please refer to the relevant section for instructions on how to arrange the imitation fuels.

Fuel Effect	Tray Type	Refer to
Coal Effect	Natural Gas & LPG	Section 2.5.1
Pebble Effect	Natural Gas & LPG	Section 2.5.2

It is recommended that the imitation fuel be left alone once the desired flame pattern has been achieved. **Constant moving of the imitation fuel will cause the fuel to disintegrate and/or cause discolouration.**



RCF Advice:

This product may use Components (Coals, Pebbles & Ceramic backs) containing Refractory Ceramic Fibres (RCF), which are man-made vitreous silicate fibres. Excessive exposure to this material may cause irritation to eyes, skin and respiratory tract.

Therefore during installation and servicing we recommend that you use a HEPA filtered vacuum to remove any dust and soot accumulated in and around the fire before and after working on the fire, to ensure that the release of fibres from these RCF articles is kept to a minimum.

We recommend that you should follow the normal hygiene rules of not smoking, eating or drinking in the work area.

When replacing Components containing Refractory Ceramic Fibres (RCF), we recommend that the replaced items are not broken up, but are sealed within heavy duty polythene bags, and clearly labelled as RCF waste. RCF waste may be disposed of in suitably licensed landfill sites.



WARNING: Do not touch the fire when it is alight. The fire will remain very hot for a while after extinguishing.



Some sooting on the pebbles may be observed. This is perfectly normal. Periodically operating the Fire at various rates will burn this soot away. If excessive sooting is observed, this is an indication that the pebbles are laid incorrectly – please refer to instructions.

2.5.1. Coal Effect Layout

This fire is supplied with different sizes of ceramic coal as follows:

	Qty
Small Square Coals	8
Medium Square Coals	4
Random Coals	8
Small Random Coals	9
Aeration Tubes	2
½ Aeration Tubes	1

Proceed with the coal layout as follows: -

- Following the appropriate set of drawings, form the first layer, using the **Small square** and **Medium square** coals, placing the aeration tubes as shown in **Figure 23**.
- Unpack the **Random and small Random coals** and form the second layer, ensuring that none of these coals come into contact with the burner board.
- Using more of the **small random coals**, form the final layer.
- Packing the coals too tightly together will result in a poor flame picture. The best results come from a 'loose' fuel build.
- Do not place any coals immediately over the pilot assembly.
- After the appliance has been allowed to warm up, small adjustments (using a small pair of tongs) may be made to the top layer to achieve the desired flame picture.
- It is recommended that the coals be left alone once the desired flame picture has been achieved. **Constant moving of the coals causes the coals to disintegrate and/or cause discolouration.**

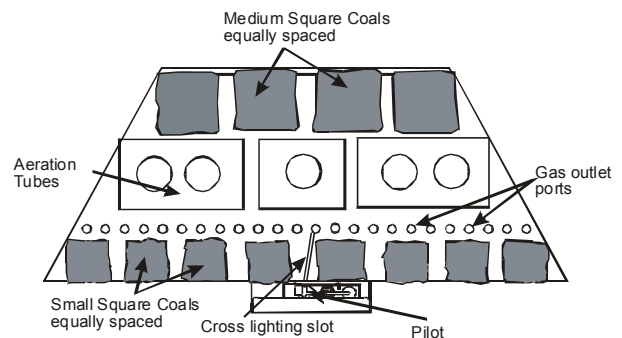


Figure 23

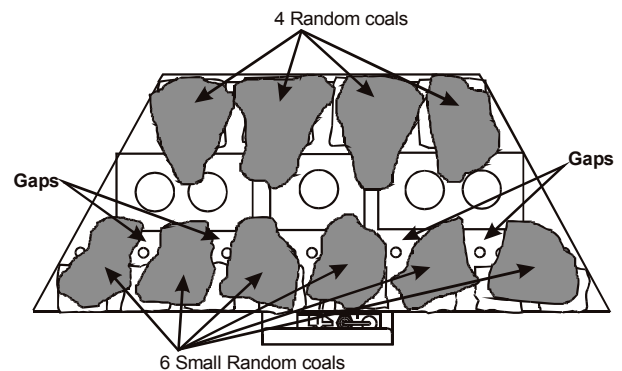


Figure 24

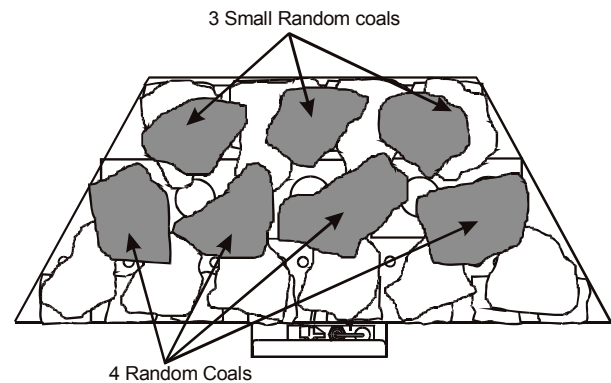


Figure 25



WARNING: Do not touch the fire when it is alight. The fire will remain very hot for a while after extinguishing.

2.5.2. Pebble Effect Layout

The fire is supplied with ceramic pebble sets as follows:-

	Qty
Large Pebbles (A, B & K)	9
Medium Pebbles (C & D)	6
Small Pebbles (G)	3
Flat Pebbles (H)	4
Front Pebbles (E & J)	6
Aeration Tubes	2
½ Aeration Tubes	1

NOTE: When placing pebbles on the tray ensure the lettering on them is facing down and into the fire. After every step of pebble laying ensure that they are stable.

Proceed with the pebble layout as follows:-

1. Unpack the **aeration tubes**, pebbles **H**, **E & J** and place them on the tray as shown in **Figure 26** ensuring that the port holes and the cross ignition slot remain clear. Note that the aeration tubes should be placed on their back, with the legs facing up ensuring that none of the port holes are blocked.
2. Place pebbles **C & D** in position as shown in **Figure 27**.
3. Place pebbles **A, B, C & D** in position as shown in **Figure 28**.
4. Place pebbles **A, G & K** in **Figure 29** and **Figure 30** to complete the fuel effect layout.
5. Small adjustments to the top layer may be made to alter the flame pattern if desired flame after the fire has been turned on. A small pair of tongs should be used for this.
6. It is recommended that the pebbles be left alone once the desired flame pattern has been achieved. **Constant movement of the pebbles causes the pebbles to disintegrate and/or cause discolouration.**

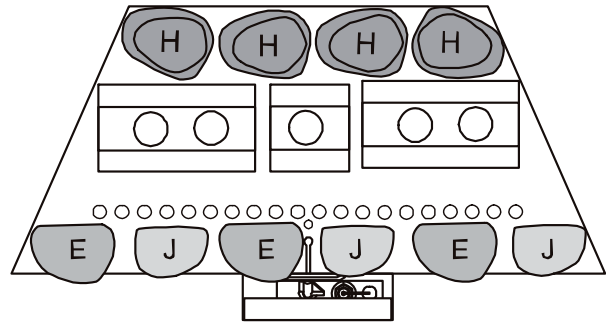


Figure 26

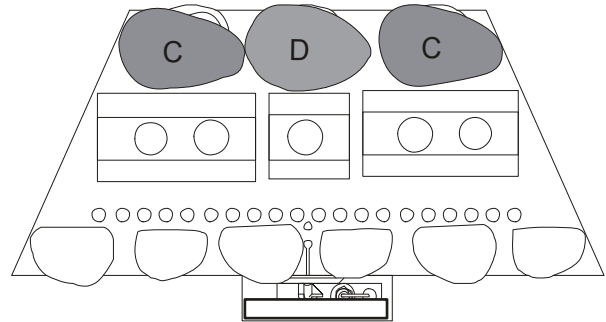


Figure 27

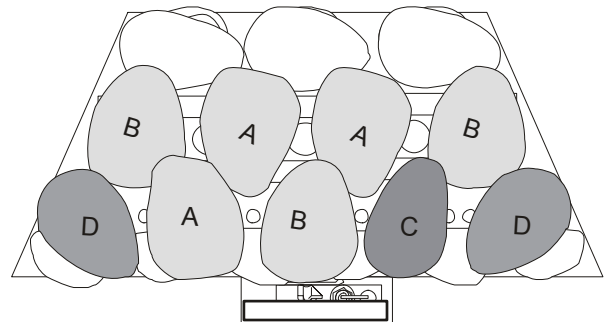


Figure 28

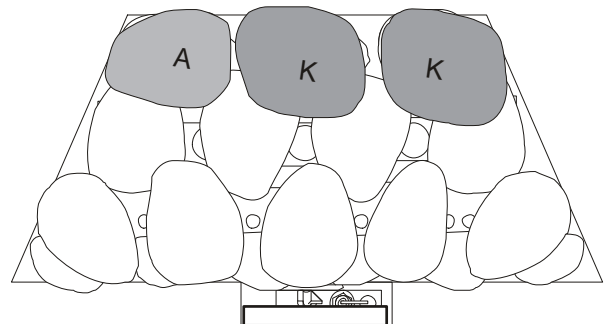


Figure 29

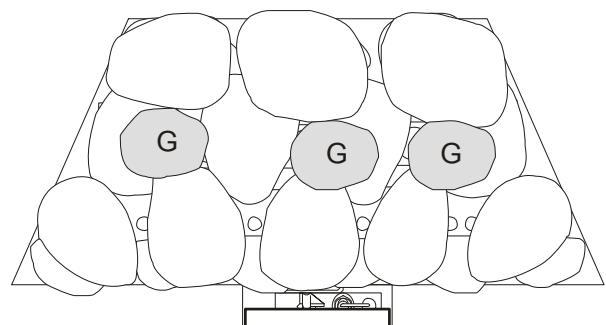


Figure 30



WARNING: Do not touch the fire when it is alight. The fire will remain very hot for a while after extinguishing.

2.6. Fitting a Standard Trim (If supplied)

1. Most trims are coated with a protective film. This must be removed by peeling off before fitting the trim.
2. The trim is held on by four magnets. These will either be attached to the trim or supplied loose in a separate envelope. Space them as shown in **Figure 31**.
3. Offer the trim onto the flange of the firebox. The magnets will hold the trim in position.
4. Centralise the trim as necessary.

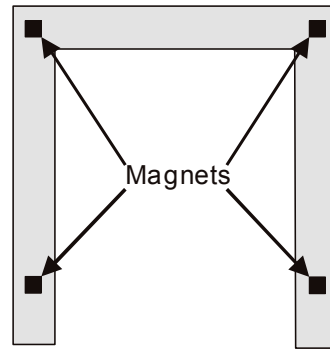


Figure 31

2.7. Fitting an ioss Fascia (if supplied)

1. The Fascia is coated with a protective film. This must be removed by peeling off before fitting the fascia.
2. The fascia is held on by four magnets. These will either be attached to the trim or supplied loose in a separate envelope. Position them as shown in **Figure 32**.
3. Offer the fascia onto the flange of the firebox. The magnets will hold the fascia in position.
4. Centralise the trim as necessary.
5. The removable cover can be lifted off to access the controls.

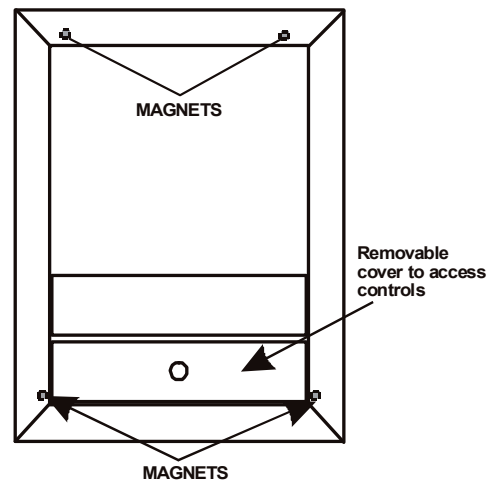


Figure 32

2.8. Home Improvements



WARNING: If after installation of this fire any home improvements (e.g. double glazing, secondary double glazing, draught proofing, fitting extractor fans, laminate flooring etc.) are carried out to the property it is essential to carry out a spillage test on the fire to ensure that the flue is still operating satisfactorily.



NOTICE: Discolouration of wall surfaces

Generally, heating appliances will create warm air convection currents that will transfer heat to any wall surface against which they are located.

Some soft furnishings (including blown vinyl wallpapers) may not be suitable for use where they are likely to encounter temperatures above the normal room level. For this reason, the manufacturer's advice should be sought before using this type of wall covering adjacent to any heating appliance.

The likelihood of wall staining caused from convected air currents will be increased in areas where high levels of tobacco smoke or other contaminants exist.

2.9. Cleaning and Care Instructions



CAUTION: Ensure that the appliance is off (including the pilot light) and has completely cooled (off for at least 2 hours) before carrying out any cleaning or maintenance.



RCF Advice:

This product may use Components (Coals, Pebbles & Ceramic backs) containing Refractory Ceramic Fibres (RCF), which are man-made vitreous silicate fibres. Excessive exposure to this material may cause irritation to eyes, skin and respiratory tract.

Therefore during installation and servicing we recommend that you use a HEPA filtered vacuum to remove any dust and soot accumulated in and around the fire before and after working on the fire, to ensure that the release of fibres from these RCF articles is kept to a minimum.

We recommend that you should follow the normal hygiene rules of not smoking, eating or drinking in the work area.

When replacing Components containing Refractory Ceramic Fibres (RCF), we recommend that the replaced items are not broken up, but are sealed within heavy duty polythene bags, and clearly labelled as RCF waste. RCF waste may be disposed of in suitably licensed landfill sites.

2.9.1. Cleaning the Fire-Bed and the Imitation Coals/Pebbles

1. If excessive debris is observed on the imitation fuels or fire-bed, this must be removed before further using the fire.
2. Carefully remove all the imitation fuel from the fire-bed. Any soot or debris on the fuel can be gently brushed away with a soft brush - DO NOT use a vacuum cleaner.
3. Use a low powered HEPA filtered vacuum cleaner with a small nozzle to clean the burner board by gently sweeping the nozzle above the surface of the board. Clean the ports (small holes on the board) in a similar fashion.
4. Relay the imitation fuel after cleaning, in accordance with the layout instructions in this booklet.
5. When satisfactory flame appearance has been achieved after positioning the coals, they should not be moved unnecessarily. **Constant moving of the imitation fuels will damage and/or cause discolouration.**

2.9.2. *Cleaning the Pilot*

The oxygen depletion sensing pilot fitted to your Burley Magiglo fire is a highly reliable safety device which causes the fire to shut down in the unlikely event of a reduction of oxygen in the room where the fire is fitted.

After a period of time, it is possible for lint (carpet fluff, pet hair, dust, etc.) to build up on the lint guard assembly (see diagram) causing some of the following symptoms:

1. The pilot does not light readily.
2. Yellow flame on pilot burner.
3. Fire shuts down unexpectedly.
4. The pilot does not stay alight after releasing the control lever.

If any of the above symptoms show, follow the instructions below for removing the offending blockage:

1. Using a pair of tweezers (if available) or a piece of fine soft wire, pick out the lint from the lint guard.
2. With the aid of a small nozzle attachment on your vacuum cleaner, apply suction at the lint guard on the pilot. Very carefully, do the same on the pilot head.

If, after carrying out the above procedure, there is no improvement to the performance of the fire, seek expert help.

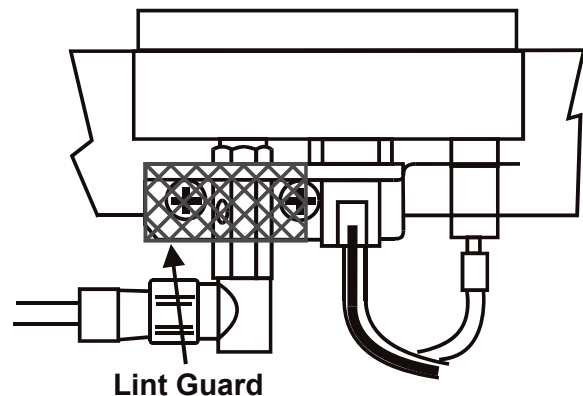


Figure 33

2.9.3. *Cleaning the Fire Back*

You should not attempt to clean the fireback, as it is made of soft ceramic fibre, which is easily damaged. However, if it should be required, a light dusting with a **very soft** brush will remove any soot or dust marks.



NOTE: Any attempt to clean the fire back using an alternative method, will result in irreparable damage leading to a replacement back being required.

2.9.4. *Black Painted Metal Surfaces*

These surfaces should be dusted regularly and any marks removed with a soft damp cloth.

2.9.5. Brass or Chrome Surfaces

These surfaces should be cleaned with a proprietary non-abrasive metal cleaner.

Remove the trim (if fitted), the fret and the ash-pan cover before cleaning.

The trim is held in place by means of four magnets at the rear of the trim. The fret and the ash-pan cover are free standing in front of the fire.

2.9.6. Stainless Steel

Stainless steels need to be cleaned for aesthetic considerations and to preserve corrosion resistance.

Oil and finger marks can be removed using a glass cleaner or preferably a mild solution of warm water and detergent.

Scratches can be removed by gently rubbing in the direction of the grain with a 240 grit emery cloth (or similar). Once the scratch has been completely removed the surface can then be re-polished using 3M Scotchbrite pads - Fine Grade.

Periodically it may be necessary to coat the entire surface in order to achieve a uniform finish. This can be achieved by applying a light coat of oil (baby oil) using a soft lint free cloth, then buffing in line with the grain until the excess is removed.



NOTE: After any cleaning process the surface must be thoroughly dried.

2.9.7. Care of Ceramic Backs

The ceramic fireback on this appliance must NOT be sprayed with any type of solvent-based high temperature paint.

The very high temperatures produced within the appliance will cause the paint to bubble and/or burn off rendering the fireback looking unsightly.

Minor surface scuffs may be treated using a water based touch up stain available at Burley Magiglo fire retailers.



Extreme care should be taken when handling and installing products containing ceramic interiors, so as not to cause damage.

This page is left intentionally blank

3. INSTALLATION INSTRUCTIONS

Before installation, ensure that the local distribution conditions (identification of the type of gas and pressure) and the adjustment of the appliance are compatible

3.1. General Safety Requirements



Before commencing installation, ensure that the intended installation will comply with details in **General Information** on Page 1.

3.2. Flue Requirements

Class 1 - A flue having no cross sectional dimension less than 175mm (7") e.g. 225mm (9") by 225mm (9") Masonry chimney or 175mm (7") diameter clay liner.

Class 2 - A flue having no cross sectional dimension less than 125mm (5").

Pre-cast - A flue constructed of pre-cast concrete/terracotta blocks conforming to BS EN 1858.

1. All flues require a minimum height of 3 metres (10ft). For installation in GB, please refer to BS 5871 Part 3 for further information. For installation in IE, refer to the current edition of I.S.813 "Domestic Gas Installations".
2. A faulty flue or chimney may result in smoke and fumes entering the room.
3. The flue should be sound, free from obstructions and, if it has previously been used with a solid fuel or oil fired appliance, it should be swept before installing this gas fire. The flue must be inspected annually to ensure continued clearance of combustion products.
4. Any flue damper plates or obstructions etc. must be removed and no restrictor plates shall be fitted. Where removal is not practical, the damper plate/restrictor must be fixed permanently in the fully open position.



Note: To comply with the expression "permanently fixed in the open position", a mechanical fixing that prevents user intervention should be used e.g. requires the use of tools for removal.

5. It is recommended that a smoke test be carried out before installation to ensure that there is no spillage of fumes into the room. If spillage occurs this problem must be rectified before commencing installation.
6. The flue must serve only one appliance.
7. If any terminals, cowls or chimney pots are fitted on the flue, ensure that they are suitable use with a decorative gas fire and do not restrict the cross sectional area of the flue. Please consult the manufacturer of the terminal/cowl/chimney pot for guidance.

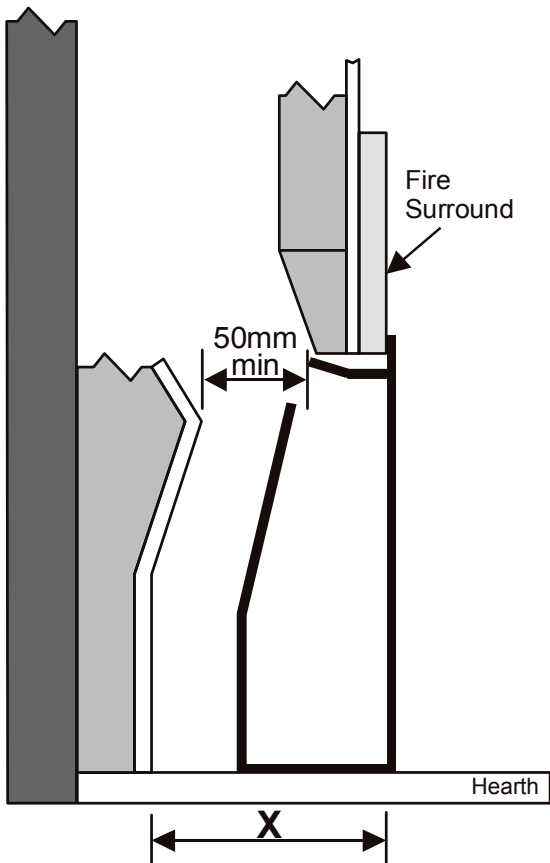


Figure 34 - Masonry Flue

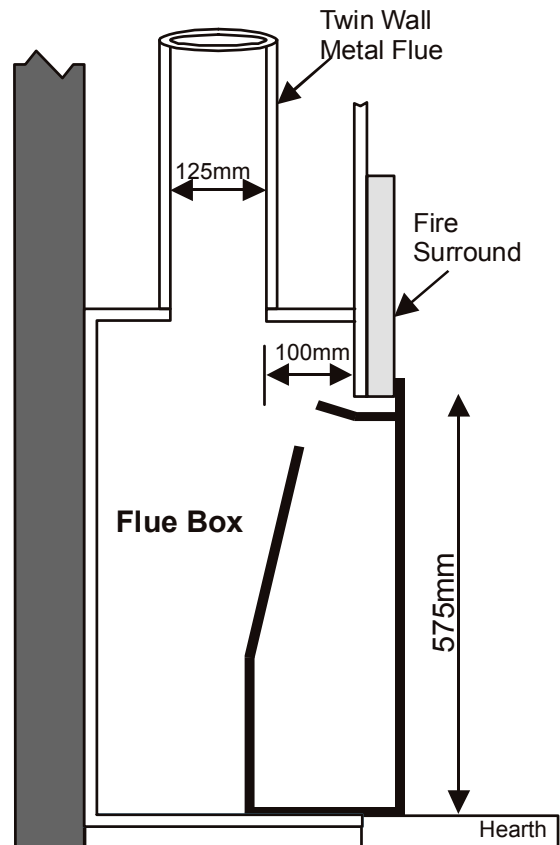


Figure 36 - BS 715 Flue Box

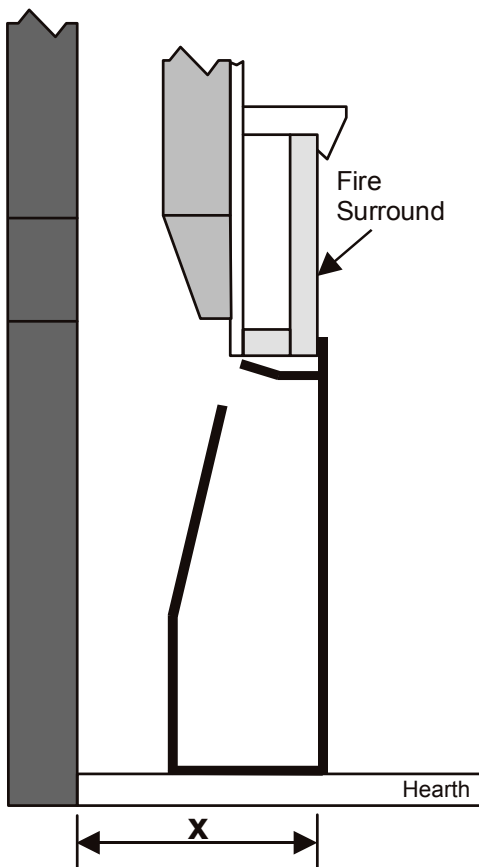


Figure 35 - Pre Cast Flue to BS EN 1858

Fireplace Opening Size (mm) (Applies to all cases)		
	Min	Max
Height	555	575
Width	410	475

Table 1

For Dimension x, please refer to Table 2.

	Masonry				Pre-cast Flues	Flue Boxes to BS 715
	Lined		Unlined		(Depth also depends on width of starter blocks)	(125mm twin walled flue)
	With Fireback	Without Fireback	With Fireback	Without Fireback		
New or previously used for a gas appliance	270mm	195mm	270mm	195mm	195mm	265mm
Used previously for an oil or solid fuel appliance	270mm	195mm	270mm	195mm	195mm	265mm

Table 2 - Debris Collection Area

For Trim Switch Models the above dimensions can be reduced by 15mm

3.3. General Dimensions

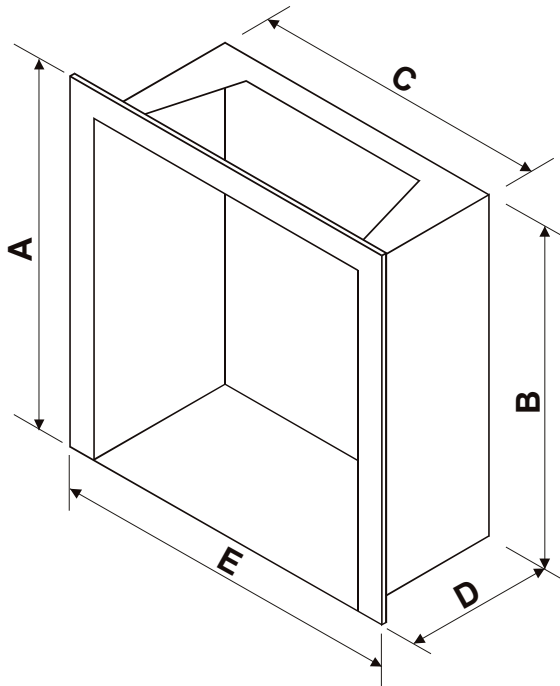


Figure 37 – Standard Box Dimension (refer to Table 3)

	Standard Dimensions	Trim Switch
A	580mm	580mm
B*	565mm	565mm
C	400mm	400mm
D	180mm	155mm
E	486mm	486mm

Table 3

*B is with flue deflector fully open

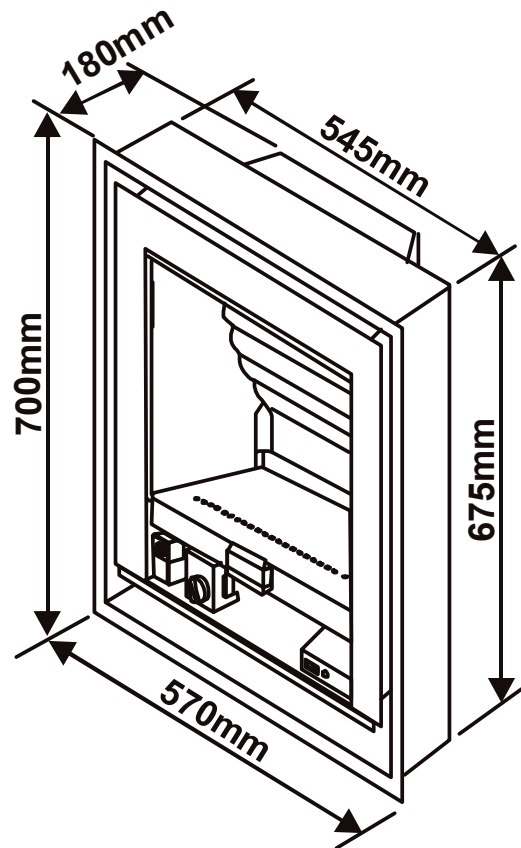


Figure 38 – Duo with Freedom Surround

3.4. Appliance Location

The fire must be fitted on a flat non-combustible base. In addition a non-combustible hearth or physical barrier with minimum dimensions shown in figures below should be provided in front of the fireplace opening where relevant.

However, with hole in the wall fire installations, where it may be desirable not to include a hearth with the appliance installation, Building Regulation Approved Document J paragraph 3.40 currently states:-

Appliance should be placed on hearths unless:

- a) they are installed so that every part of any flame or incandescent material will be at least 225mm above the floor; or
- b) the manufacturer's instructions state that a hearth is not required.

Burley Magiglo would recommend that a hearth or physical barrier be installed with this appliance. However, should you decide not to follow our recommendation and do not fit a hearth or subsequently decide to remove the hearth / physical barrier, then consideration as to the safety of the occupants of the room should be given.

3.4.1. Floor Level and Raised Fireplace Openings

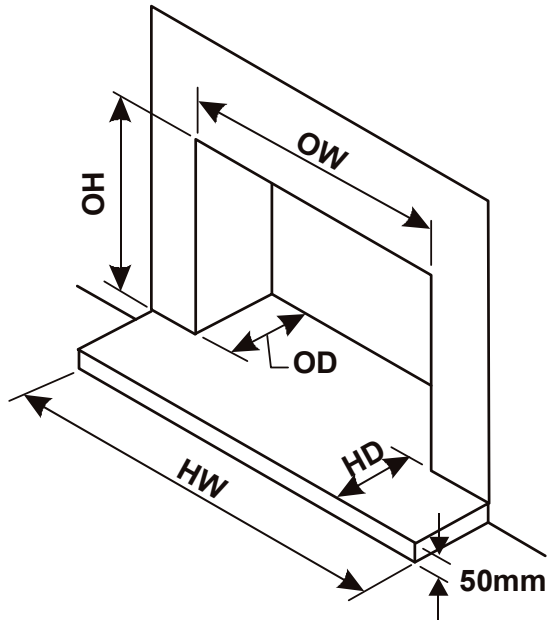


Figure 39

Models not using Freedom Surround	
OH	560mm
OW	430mm
OD	195mm
HW	A minimum of 150mm either side of any incandescent material
HD	Must project a minimum of 300mm in front of any naked flame or incandescent material

Table 4

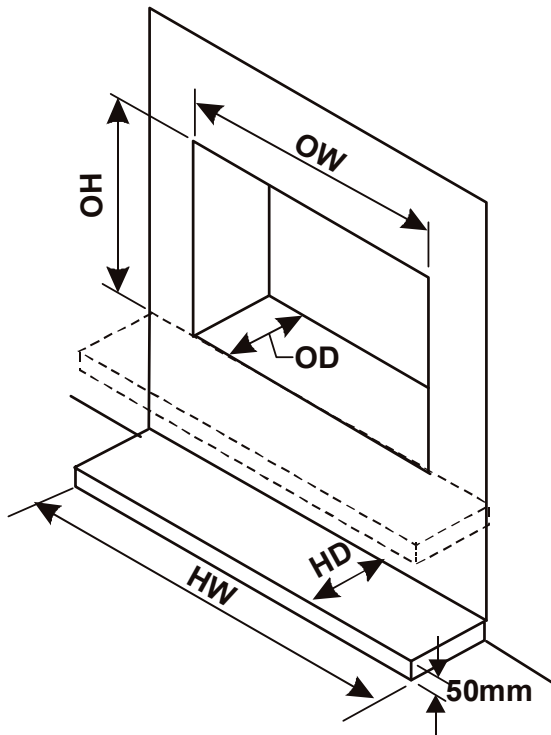


Figure 40

Models with Freedom Surround	
OH	680mm
OW	565mm
OD	195mm
HW	Refer to Appliance Location details on Page 26
HD	Refer to Appliance Location details on Page 26

Table 5

Other dimensions are dependent on flue construction and fireplace design; therefore, please refer to **Section 3.2** and **Section 3.3**.



Hearth Construction: The hearth material must be non-combustible and a minimum of 12mm thick, when laid on the floor, a 50mm upstand above the finished floor level must be created.

3.4.2. Physical Barrier

Any physical barrier should meet the following requirements:

1. Provide at least the equivalent level of warning to the approach of an open fire, to that of a hearth.
2. Define a clear zone where occupants must exercise additional caution.
3. Should be constructed of non-combustible material, of robust design and fixed in such a way so as to provide a secure boundary and be mechanically fixed to prevent accidental and/or unintentional removal.

Such a device could take the form of a fender, a shelf, a wall mounted decorative bar, etc.

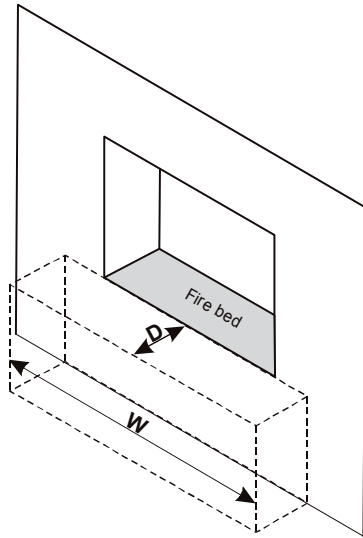


Figure 41

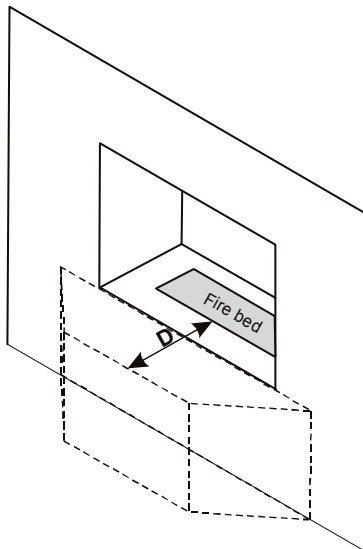


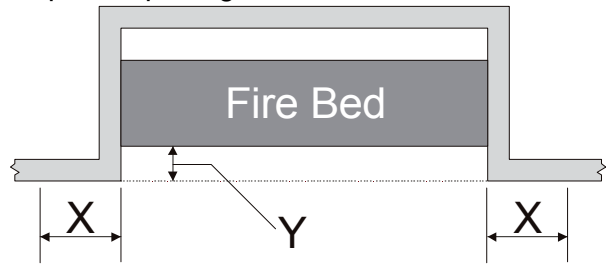
Figure 42

All Duo Models	
W	Must project a minimum of 150mm either side of any naked flame or incandescent material
D	Must project a minimum of 300mm in front of any naked flame or incandescent material
The height of any physical barrier must be a minimum of 50mm above the finished floor level.	

Table 6 – Protected Area

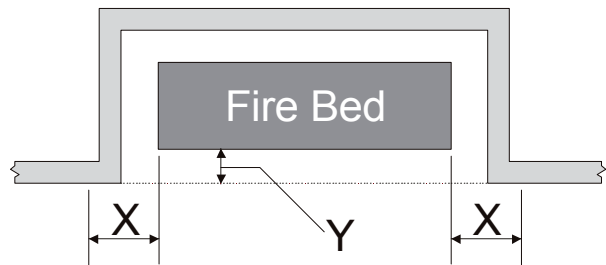
Figure 41 and Figure 42 show examples of area to be protected by the physical barrier.

Figure 43, Figure 44 and Figure 45 show methods for calculating the barrier width, but must remain at least the width of the fireplace opening.



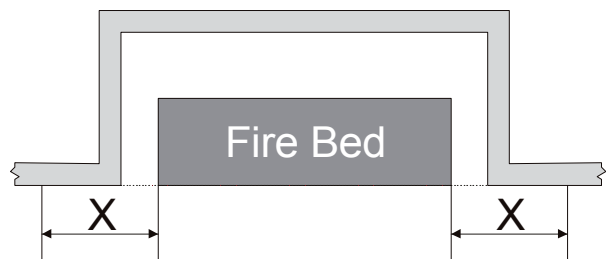
$$X=150\text{mm, less dimension } Y$$

Figure 43



$$X=150\text{mm, less dimension } Y$$

Figure 44



$$X=150\text{mm}$$

Figure 45

Figure 46, Figure 47, Figure 48 and Figure 49 show examples of how the requirements for the physical barrier may be met.

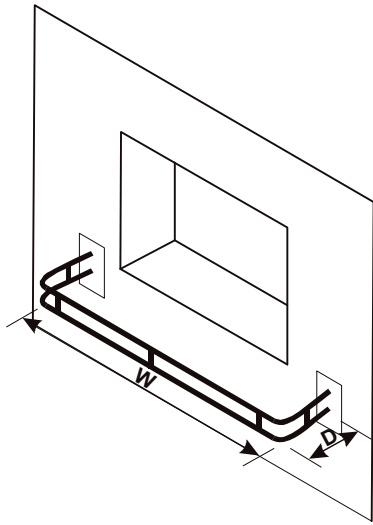


Figure 46 – Example of physical barrier
(dimensions as stated in Table 6 – Protected Area)

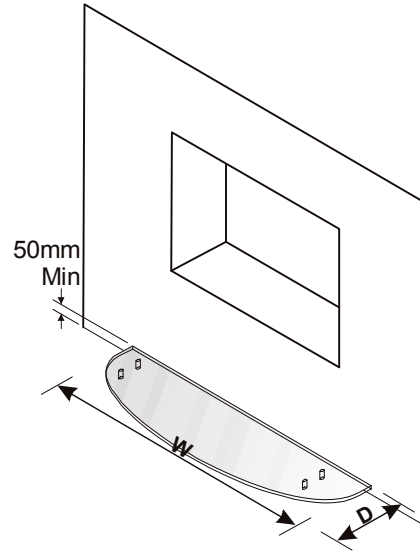


Figure 48 – Example of physical barrier
(dimensions as stated in Table 6 – Protected Area)

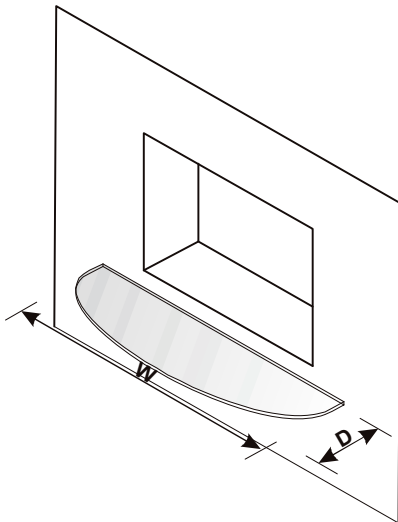


Figure 47 – Example of physical barrier
(dimensions as stated in Table 6 – Protected Area)

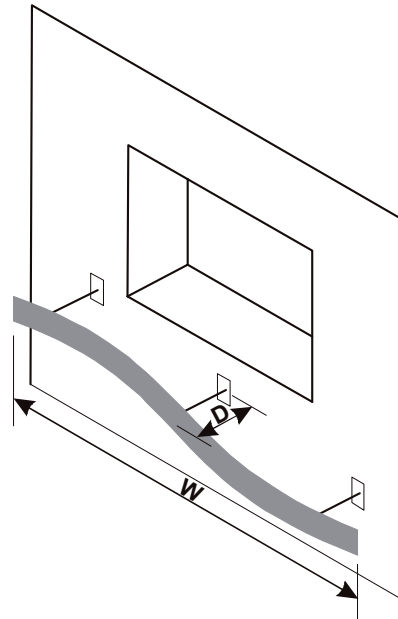


Figure 49– Example of physical barrier
(dimensions as stated in Table 6 – Protected Area)

3.5. Ventilation

For models with heat inputs not exceeding 6.9kW, normal adventitious ventilation is usually sufficient to satisfy the ventilation requirements of these appliances. In GB reference should be made to BS 5871 Part 3, and in IE reference should be made to the current edition of I.S.813 which makes clear the conditions that must be met to demonstrate that sufficient ventilation is available.

If provided, any purpose provided ventilation must be checked periodically to ensure it is free from obstructions.

When fitting the fire in Northern Ireland (NI), purpose provided ventilation must be provided in accordance with the rules in force.

In other EC countries equivalent rules in force must be used.

3.6. Technical Data

	Natural Gas Models	LPG Gas Models
Nominal maximum heat input	6.9 kW (gross)	6.5 kW (gross)
Setting pressure (Cold)	6.0 mbar \pm 0.2 mbar	34.0 mbar \pm 1.0 mbar
Minimum heat Input	4.0 kW (gross)	3.0 kW (gross)
Minimum setting pressure	2.1 mbar \pm 0.2 mbar	7.0 mbar \pm 0.5 mbar
Gas	G20 (Natural Gas)	G31 (LPG)
Injector Size	No. 100	No. 190
Gas inlet connection	8mm	8mm
Control valve	BM/MaxitrolS	BM/MaxitrolS
Pilot	SIT OxyPilot 9039	SIT OxyPilot 9223
Weight	10.5kg	10.5kg

3.7. Pressure Test Point Location

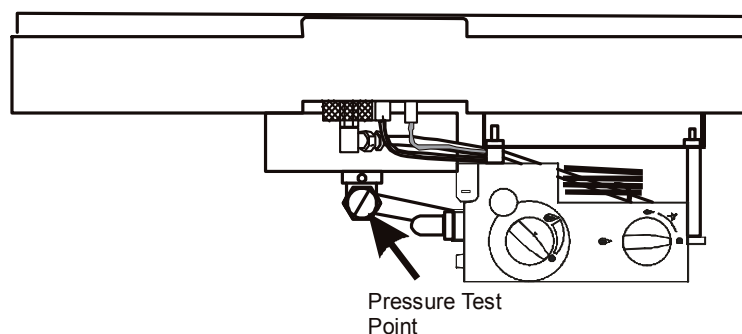


Figure 50 - Pressure Test Point Location

3.8. Contents Checklist

Before proceeding with installation of the fire check the contents as follows:

Basic Kit (Applicable to all control options)

Quantity	Item
1	Gas Fire
1	Imitation Fuel – Coal (NG/LPG) or Pebble Set (NG/LPG)
1	Freedom surround (if specified)
1	Freedom surround 30mm spacer (if specified)
1	Isolation valve

Additional Items for Remote Control Models and Total Control Models

Quantity	Item
1	Remote Control Handset and Receiver
4	AA Batteries
1	PP3 (9V) Battery

Additional Items for Optimum Control Models

Quantity	Item
4	AA Batteries plus battery holder
1	5 Metre Cable with wall plate and switches

Additional Items for Trim Switch Control Models

Quantity	Item
4	AA Batteries plus battery holder
1	Wiring harness and switches

3.9. Installation Procedure



Before commencing installation, ensure that the intended installation will comply with details in **General Information** on Page 1.

The Burley Magiglo Duo is designed to be inset into a 16" fireplace opening. Any surround that is to be installed with the Burley Magiglo Duo must be rated at 150°C.

Carefully unpack the contents of the carton and check them against the checklist given on the previous page.

Make sure that the fireplace opening is suitable for the installation of the fire and prepare the fireplace to suit the dimensional requirements given in sections **3.3**, **3.4** and **3.6**.

3.9.1. Installation using Freedom Surround

The Freedom Surround is designed to provide an alternative installation method giving it a contemporary hole-in-the-wall appearance whilst reducing heat transfer to the fabric of the building.

The Freedom Surround greatly reduces the risk of cracking caused by excessive heat being transferred from the appliance to the wall.

If there is insufficient depth to accommodate the chosen appliance, a 30mm spacer is available – see the **Installation Using a Spacer Frame** section within this document.

When installed in a timber framed building, the Freedom Surround greatly reduces the amount of insulation required around the appliance, however, the rear of the appliance and any flue will still require the same level of protection.

3.9.2. Freedom Surround Installation (if applicable)

1. Remove the appliance from the Freedom Surround by removing the two fixing screws from the base of the appliance and the two fixing screws from the top.
2. Using **Figure 52**, mark out and create the appropriate opening to accommodate the Freedom Surround.
3. With reference to **Figure 52**, mark out, drill, plug and fit the four vine eyes.
4. Remove the base plate (see **Figure 55**), then fit the sealing strip to the rear of the flange, as shown in **Figure 53**.
5. Place the Freedom Surround into the prepared opening, threading the cables through the vine eyes, and through the holes in the base of the surround, as shown in **Figure 54**.
6. Tighten the cables using the cable tensioning screws, ensuring that the surround remains square and true, and an effective seal is obtained between the flange and the finished wall.
7. Refit the appropriate base plate, using screws provided. This will be used to secure the base of the appliance.
8. The top fixing screws of the appliance secure against the upper edge of the Freedom Surround.

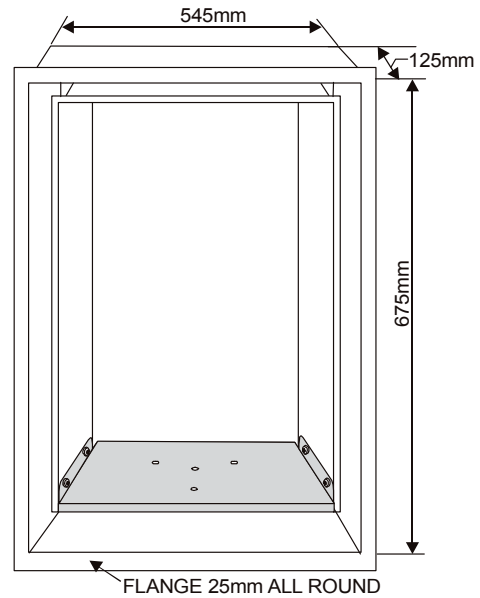


Figure 51 - General Dimensions

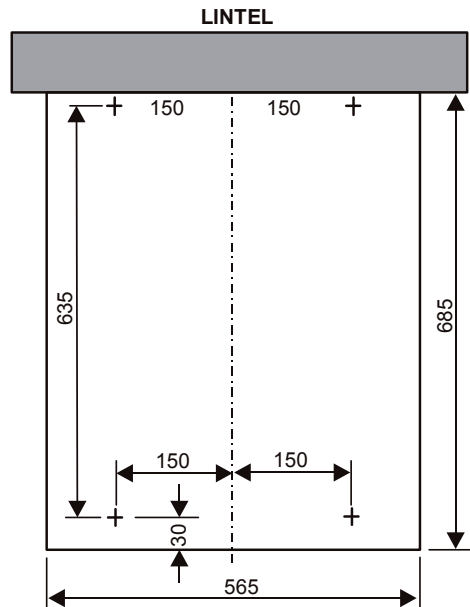


Figure 52

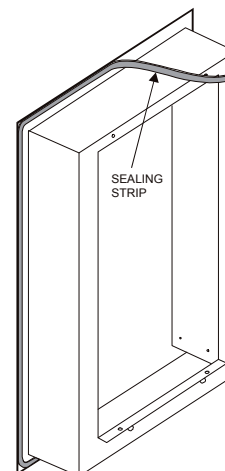


Figure 53

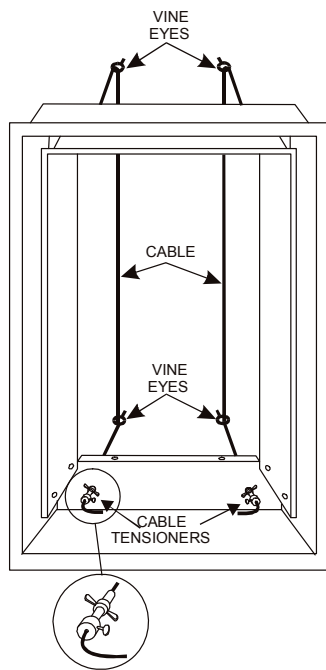


Figure 54

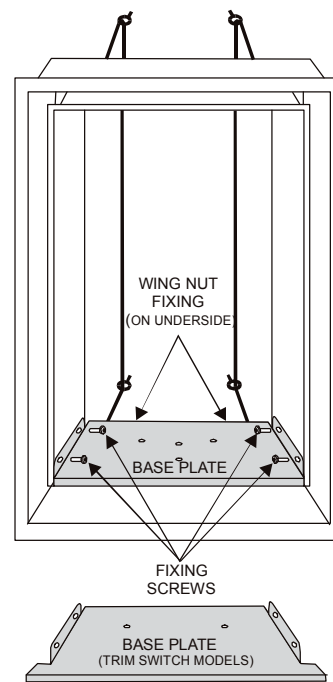


Figure 55

3.9.3. Installation Using a Spacer Frame (if applicable)

In order to reduce the installation depth required, the Freedom Surround may be installed using a spacer frame (30mm).

The spacer frame is slipped over the Freedom Surround, and secured in place when the Freedom Surround is fixed into the opening.

3.9.4. Installing the Fire (without Freedom Surround)

1. Remove the two burner fixing screws located under the front corners of the burner tray.
2. Withdraw the burner from the firebox, taking care not to damage the ceramic back.
3. Apply the sealing strip all round the rear edge of the firebox flange by removing the protective backing paper.
4. Select the required gas entry point (choice of three). After creating a slit in the grommet, route the gas supply through, leaving the remaining two intact.
5. Place the box centrally within the fireplace opening and push it back until the sealing foam abuts the face of the fire surround.
6. Mark the box fixing holes located in the base of the box onto the hearth. Remove the box and drill and plug appropriate size holes at the marked spots on the hearth.
7. Replace the fire in the box and secure the box to the hearth with two screws. Press the top flange firmly and tighten the two fixing screws located behind the flange (see **Figure 56**). If the two top screws are too long, cut the excess off.
8. Screw the two self-tapping screws provided into the two extreme lugs of the flue deflector and screw them in until the deflector is raised to the required position (see **Figure 57** and **Figure 58**). **DO NOT** over tighten.
9. Now carefully place the burner tray in the firebox ensuring that the bracket at the rear of the tray engages into the slot at the back of the box, and secure the tray to the box with the previously removed screws. Connect the gas supply to the fire via the isolating valve and securely tighten all the gas joints.

3.9.5. Installing the Fire (with Freedom Surround)

1. Select the required gas entry point (choice of three). After creating a slit in the grommet, route the gas supply through, leaving the remaining two intact.
2. Place the box centrally within the Freedom Surround and push it back until the sealing foam abuts the rear.
3. Refit the top and bottom fixing screws.
4. Now carefully place the burner tray in the firebox ensuring that the bracket at the rear of the tray engages into the slot at the back of the box, and secure the tray to the box with the previously removed screws. Connect the gas supply to the fire via the isolating valve and securely tighten all the gas joints.
5. Screw the two self-tapping screws provided into the two extreme lugs of the flue deflector and screw them in until the deflector is raised to the required position (see **Figure 57** and **Figure 58**). **DO NOT** over tighten.

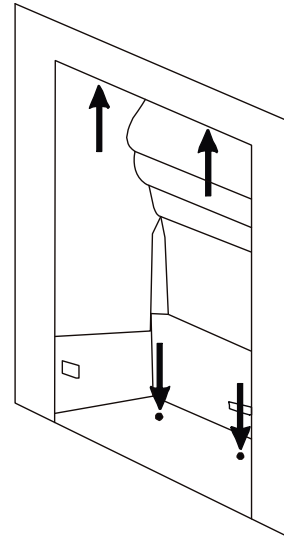


Figure 56 - Fixing Positions

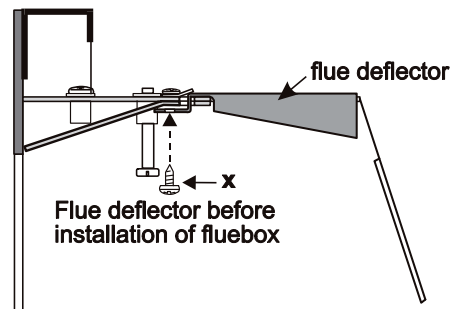


Figure 57

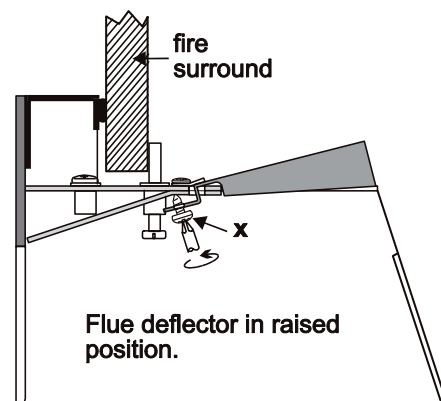


Figure 58

3.9.6. Connecting the Gas Supply

The gas supply to the fire must be carried out using rigid or semi-rigid metal tubing. A service cock must be incorporated near the appliance to facilitate isolation of the fire during servicing. For this an isolating valve has been supplied.

The gas supply to the fire can be from left, right or the rear of the appliance. The gas supply should be designed such that by undoing appropriate fittings it is possible to withdraw the firebox during servicing.

For Manual Control models. Proceed to **Section 3.9.11**. For other control options, proceed to instructions from those in **Sections 3.9.7 to 3.9.10** as applicable.

3.9.7. Continuation of Installation - Remote Control Model

1. Unpack the box containing the Receiver and the Hand Set.
2. Fit four AA (1.5V) batteries into the receiver unit and the PP3 (9V) battery into the transmitter (hand set).
3. Feed the cable from the receiver unit heat shield to the spade terminals on the control valve, keeping the cable clear of the underside of the tray. The cable connectors must be matched to the appropriately sized spade connector.
4. Position the receiver under the heat shield as shown in **Figure 59**.
5. Test the operation of the drive motor using the hand set as per Users Instructions (**Section 2.1.3 - Lighting Procedure (Remote Control)** on page 8).
6. Proceed to **Section 3.9.11** to commission the installation.

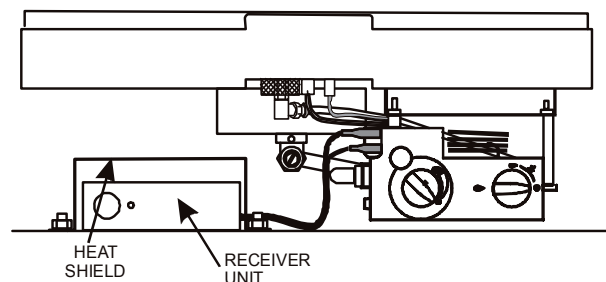


Figure 59

3.9.8. Continuation of Installation - Optimum Control Model

1. Find a suitable position for the wall switch, a maximum of **5 metres** of cable is supplied.
2. Fit the wall box into the wall. Cut cross-slots in the rubber grommet and feed the cable through it such that the end with four connectors is inside the box. Make good the surface around the wall box and cable runs.
3. Make the connections on the wall switches as shown in **Figure 60**.
4. Fit the connectors on the cable under the fire to the drive motor on the valve ensuring correct polarity. The cable connectors must be matched to the appropriately sized spade connector. Also ensure that the cable is neatly tucked away and not touching the underside of the tray.
5. Fit the batteries supplied into the battery pack and test the operation of the valve using the two switches (**2.1.4 - Lighting Procedure (Optimum Control and Trim Switch Control)** on page 9).
6. Proceed to **Section 3.9.11** to commission the appliance.



Any plaster/cement used to secure the wall box must be completely cured (dry) before installing the batteries or fixing the switch plate.

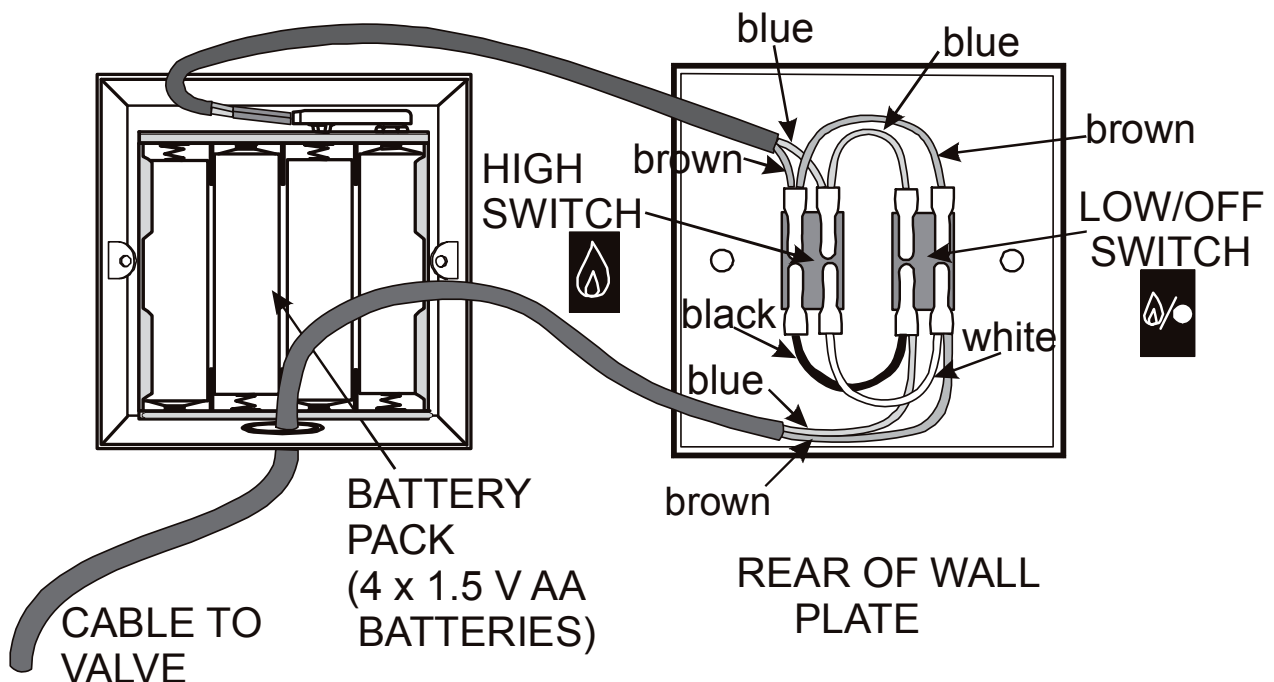


Figure 60

3.9.9. Continuation of Installation - Trim Switch Control Model

1. Unpack the battery pack and connect to the battery connection on the cable.
2. Fit the connectors on the cable to the drive motor ensuring correct polarity. The cable connectors must be matched to the appropriately sized spade connector.
3. Test the operation of the drive motor using the trim switches (**2.1.4 - Lighting Procedure (Optimum Control and Trim Switch Control)** on page 9).
4. Proceed to **Section 3.9.11** to commission the appliance.

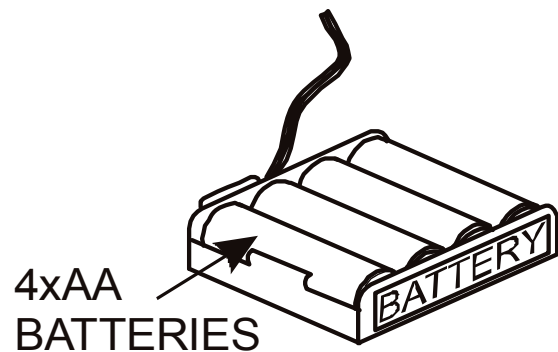


Figure 61

3.9.10. Continuation of Installation – Total Control

1. Unpack the box containing the receiver and hand set.
2. Pull out the four cables through the heat shield and connect them as shown in **Figure 62**.
3. Insert the four AA batteries in the receiver ensuring correct polarity.
4. Replace the receiver within the heat shield ensuring that the cables are not touching the underside of the tray.
5. Insert the PP3 (9V) battery in the hand set.
6. Proceed to **Section 3.9.11** to commissioning the installation.

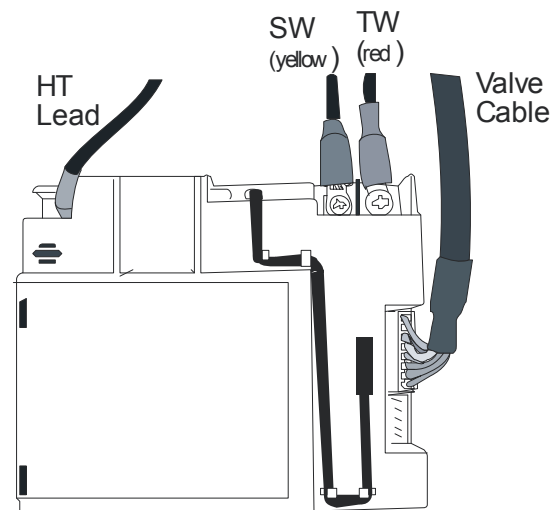


Figure 62

3.9.11. Commissioning

1. Turn on the gas supply to the fire and purge the gas line. Check all the gas joints for gas soundness.
2. Remove the pressure test point screw located as shown in section 3.7 and connect a pressure gauge.
3. Ignite the pilot in accordance with the User Instructions.
4. Set the controls to give full gas rate at the main burner.
5. Ensure that the pressure at the pressure test point is as given in section 3.6 - **Technical Data** in this booklet. Alternatively the information is given on the data badge of the appliance.
6. If the correct pressure cannot be achieved, then some potential causes of low pressure are:
 - a) Supply pipes are not of large enough diameter.
 - b) The supply pipes are blocked or partially blocked.
 - c) Restriction at the appliance isolation valve.
7. Set the controls to the low rate position (small flame position) and check the low rate setting pressure.
8. Turn the fire off.
9. Lay the coals in accordance with the instructions in the appropriate section for the model.
10. Proceed to carry out a spillage test.

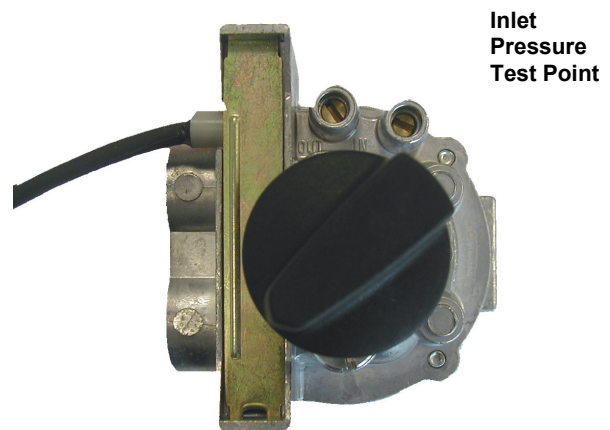


Figure 63– Manual BM Control Valve

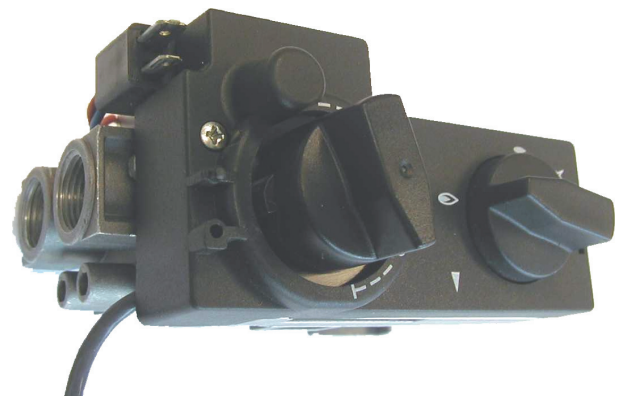


Figure 64– Upgradeable Manual/
Remote/Optimum/TrimSwitch Control Valve

3.9.12. Checking for Spillage

1. Close all doors and windows.
2. Turn the fire on to its full rate and leave it burning for 5 minutes.
3. Test for spillage using a smoke match (in a 'Blume tube') at the top of the appliance, fireplace opening or under the canopy at the centre, with the smoke match being approximately 25mm under and 6 - 12mm inside the opening.
4. If the smoke spills out into the room, repeat the test again after a further 10 minutes.
5. If the fire shows tendency to spill, this may indicate either an installation fault or a flue construction fault. **Disconnect the fire and seek expert advice.**

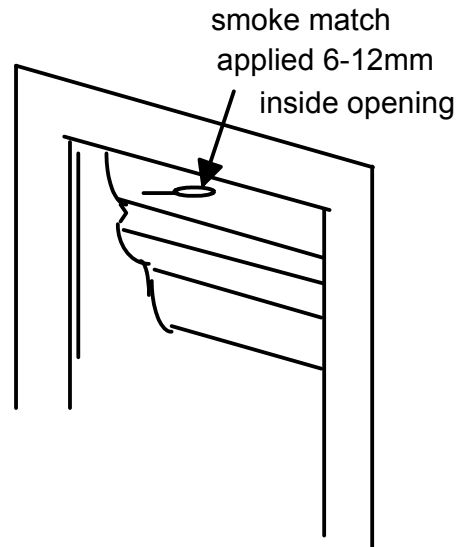


Figure 65



The imitation fuels must be laid in accordance with the instructions prior to commencing the spillage test.



If there are any extractor fans in the nearby rooms then repeat the smoke match test with all these fans operating and any interconnecting doors open between the fans and the fire.

3.9.13. Instructing the User

The installer must hand over these instructions to the user and explain how to operate this fire, stressing the importance of having the fire checked and serviced regularly. An annual service is recommended.



It is mandatory as part of the gas installation that the installer instructs the user on the correct operation and care of their appliance.

4. SERVICING INSTRUCTIONS

4.1. General Requirements

All repairs and servicing must be carried out by a qualified registered gas installer (e.g. member of Gas Safe in GB) in accordance with the current Gas Safety (Installation and Use) Regulations and these instructions.

Before any servicing is carried out ensure that the gas and electrical supply (where applicable) have been isolated.

After any servicing or replacement of any parts, the appliance should be re-commissioned.

4.2. Servicing Instructions

As part of the appliance service, the flue and fireplace opening should be checked for soundness and any debris removed.

Refer to the section:

2.9.1 - Cleaning the Fire-Bed and the Imitation Coals/Pebbles on Page 19

then section:

2.9.2 - Cleaning the Pilot on Page 20.

On completion of the servicing, a spillage test must be carried out.

4.3. Replacing Parts

For any spare parts that are required, please contact either your supplier or the manufacturer directly. You will need the model name i.e. model number, the gas type, the type of control and serial number.

Only approved parts should be used.

4.3.1. Pilot Assembly Replacement



NOTE: If any part of the pilot assembly becomes faulty then the whole pilot assembly will need changing.

1. Remove the HT lead from the end of the electrode.
2. Cut the cable tie wrap.
3. Using M9 spanner undo the thermocouple connection from behind the control valve
4. Using M10 spanner undo the pilot feed pipe nut at the pilot assembly.
5. Remove the pilot lint guard and undo the pilot assembly securing screws and withdraw the pilot assembly.
6. Refit in reverse order ensuring that the lint guard is fitted.

4.3.2. Injector Replacement

1. Undo the two compression nuts on the gas feed pipe to the injector elbow and remove the pipe.
2. Loosen the M5 grub screw/s securing the injector elbow into the venturi boss and withdraw the injector elbow.
3. Replace in reverse order ensuring that the replacement jet size (marked on the jet) is as given on the data badge.

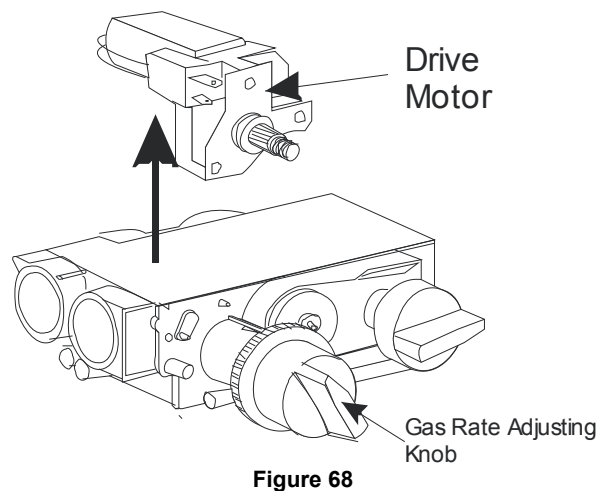
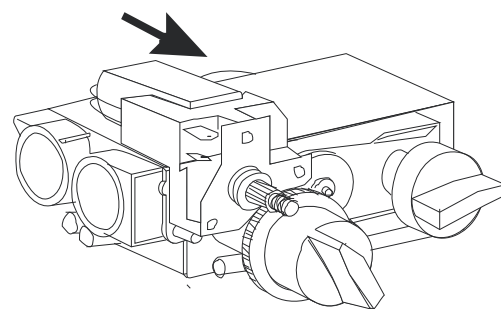
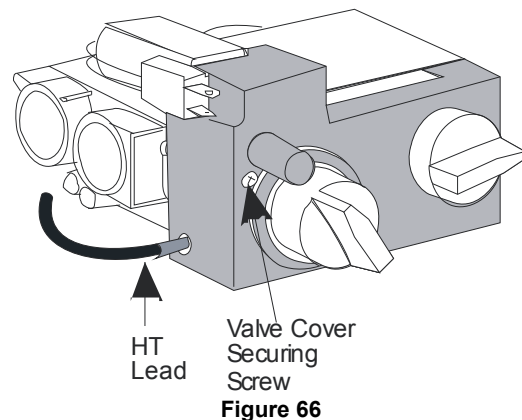
4.3.3. Control Valve Replacement (BM and Mertik GV34)

1. Disconnect the pilot feed pipe, the main gas feed pipe and the thermocouple connection from the back of the valve.
2. Pull out the HT lead connection from under the electrode and cut the cable tie wrap.
3. Remove the valve securing screw/s and withdraw the valve.
4. Refit the new valve in reverse order ensuring that the valve spacers (on Mertik valve) are in place.
5. Roll up the excess length of HT lead and secure it to the rolled up thermocouple cable with a new tie wrap.

4.3.4. Motor Replacement (Remote Control / Optimum Control / Trim Switch Control Models)

The gas rate adjusting motor is replaceable in situ.

1. Remove the batteries from the receiver unit to prevent the risk of short circuit.
2. Remove the two motor connection tags from the valve.
3. Pull out the HT lead from the side of the valve cover (see **Figure 66**).
4. Remove the valve cover securing screw.
5. Unclip the valve cover from the valve on the right hand side by inserting a very small screwdriver in the slot on the right hand front of the cover and pull out the cover.
6. Turn the gas rate adjusting knob fully anticlockwise and gently manipulate the motor free from the valve (see note) (See **Figure 67** and **Figure 68**)
7. Replace with new motor ensuring that the motor is hooked into the right hand lug.
8. Replace the cover and secure with the screw.
9. Remake the motor connections ensuring that the large tag is fitted to the large spade (top connection) and vice versa.
10. Replace the batteries ensuring the correct polarity.
11. Operate the handset to check the operation of the motor.



Note: Operating the gas rate adjusting knob manually will cause the motor clutch to operate. This is normal and will not affect the valves' operation.

4.3.5. Control Valve Replacement (Total Control)

Referring to **Figure 69**:

1. Remove all the gas connections on the valve including the pilot feed pipe.
2. Remove the thermocouple connection from the interrupter block at the rear of the valve.
3. Pull out the TC cable with the red tab from the interrupter block.
4. Unscrew the cable with yellow identifying insulation from the receiver.
5. Remove the two valve securing screws and withdraw the valve.
6. Refit the replacement valve in reverse order ensuring that the valve spacers are fitted.

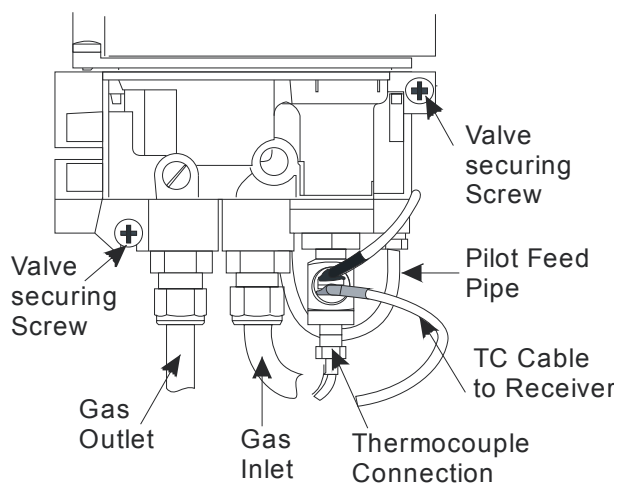


Figure 69

4.3.6. Replacing Receiver (Total Control)

1. Pull out the receiver from under the heat shield and remove the batteries.
2. Gently pull out the HT lead and the valve cable from the receiver (see **Figure 70**).
3. Unscrew and remove the SW and TC connections.
4. Refit in reverse order. (The valve cable plug fits into the receiver in one way only).
5. Replace the batteries and return the receiver under the heat shield.

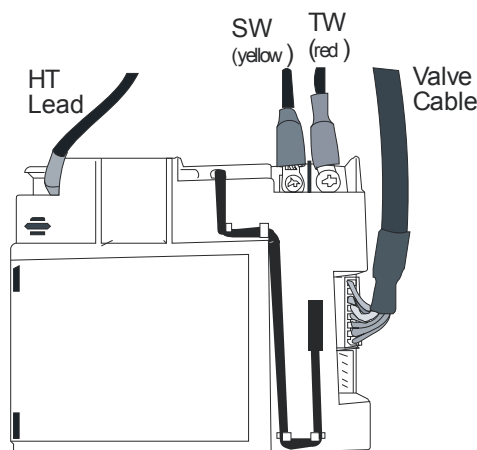



Figure 70

4.3.7. Programming Handset to Receiver

If for some reason the remote handset requires re-programming to operate the receiver follow the procedure below:

1. Press and hold, using a pointed object, the receiver's reset button until you hear two acoustic signals (see **Figure 71**).
2. After the second longer acoustic signal, release the reset button and within the subsequent 20 seconds, press the  (small flame) on the remote handset until you hear an additional long acoustic signal confirming the new code is set.

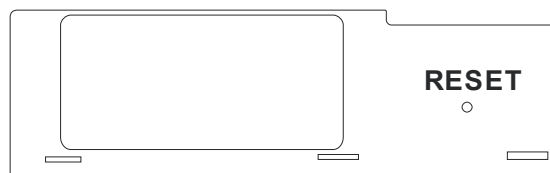


Figure 71

4.4. Installation and Operational Troubleshooting

The table below is intended for problems related to the fire and its gas controls. It is a guide only and does not take into account every eventuality. Servicing must be carried out in accordance with the current Gas Safety (Installation and Use) Regulations, by a competent person.

It is recommended that the purchaser seek the advice of the original installer in case of encountering any problems.

Symptom	Cause	Remedy
No spark appears at the electrode	a) Electrode cracked or broken	Replace pilot assembly
	b) HT lead shorting out on burner body	Establish where spark is occurring and insulate or re-route lead accordingly.
	c) Faulty spark generator	Replace valve
Piezo operates normally but pilot will not light	a) No gas supply	Check isolation valve/supply
	b) Pilot jet blocked	Replace pilot assembly
Pilot lights, but goes out when control is released	a) Loose thermocouple connection at control valve end	Remake thermocouple ensuring the connection is firm
	b) Faulty Thermocouple	Replace complete pilot assembly
Pilot and main burner go out when control is set to high position	a) Gas supply partially blocked	Locate restrict and remove faulty section
	b) Too many bends on gas inlet pipe	Increase diameter and/or reduce the number of bends
	c) Pilot jet partially blocked	Replace complete pilot assembly
	d) Restriction at Isolation valve	Ensure valve is fully open and that internal diameter is sufficient and free from grease
Fire burns with flames only on one side	a) Imitation fuel layout incorrect	Re-lay imitation fuel in accordance with instructions
	b) Excessive draught	Establish cause and rectify
Fumes enter room when the fire is in operation	a) Blocked flue	Remove blockage in flue
	b) Insufficient replacement air	Check air vents are free of obstructions



Warning: If you are in any doubt about the clearance of fumes, you must stop using the appliance immediately and seek expert advice. Do not use appliance until the fault has been rectified.

Remote Control, Trim Switch and Optimum Control Models

Symptom	Cause	Remedy
Main burner will not come on when required even though the drive motor is heard to be operating	Ignition knob incorrectly set	Set the ignition knob at the 9 o'clock position.
Motor not functioning when buttons are pressed	a) Flat hand set battery (Remote Control)	Replace battery (1 X PP3)
	b) Flat batteries in receiver unit (Remote Control)	Replace all 4 AA batteries
	c) Flat batteries in battery holder (Trim Switch and Optimum Control)	Replace all 4 AA batteries
Remote Control will turn fire off but will not turn on	Incorrect hand set operation	Ensure two buttons are pressed to turn on
A prolonged audible signal is heard when attempting to light the fire with the remote hand set (Total Control Model only).	ON/OFF switch on control valve in OFF position.	Turn the switch to ON position



NOTE: If any part of the pilot assembly (i.e. thermocouple, electrode, jet or burner) becomes faulty the whole pilot assembly will need changing.



NOTE: For any spare parts that are required, please contact either your supplier or the manufacturer directly. You will need the model name i.e. Model Number, the gas type, the type of control and serial number.

Only approved parts should be used.

This page is left intentionally blank



Burley Magiglo fires are protected by
UK patents 2193802, 2240620 and 2256920
Other Patents Pending

Magiglo is a registered trademark of Burley Appliances Ltd



Burley Appliances Ltd, Lands End Way
Oakham, Rutland, LE15 6RB

Tel: 01572 725570 Fax: 01572 724390
www.magiglo.co.uk Email: info@magiglo.co.uk