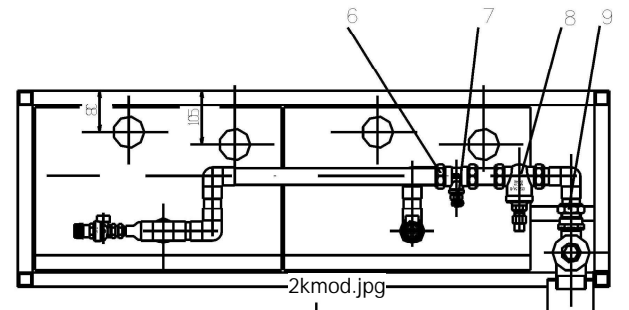
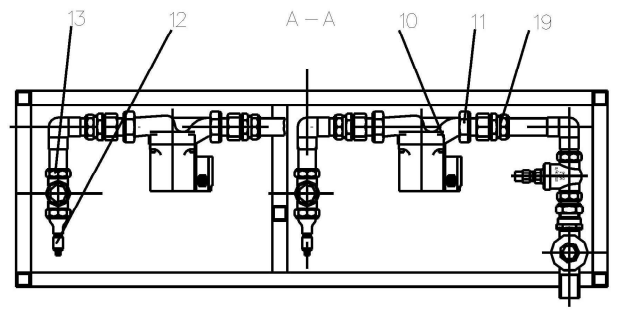
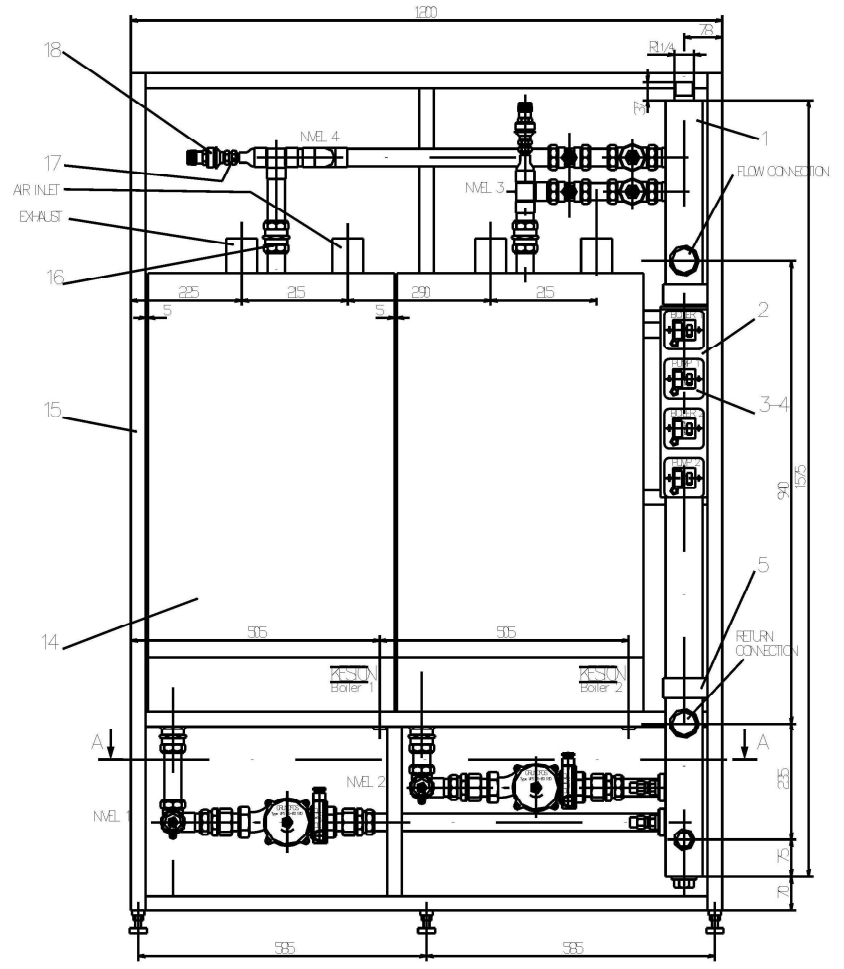
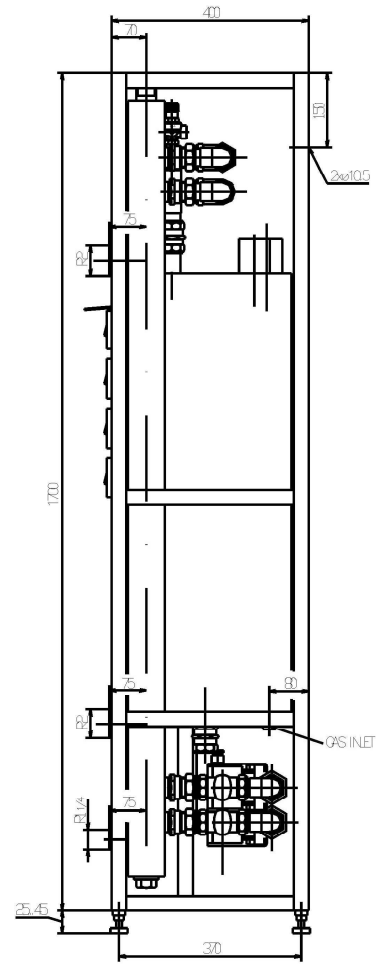


KESTON BOILERS



Ref	Description	Quantity	Material	Comments	Rev
19	35x1.25 Multiplier	4	Subass		
18	0.5 safety valve	2	Subass		
17	1.5x0.5 coupling	2	Subass		
16	35 compression coupling	4	Subass		
15	2K170 frame	1	Subass		
14	K170 boiler	2	Subass		
13	35 compression tee	2	Subass		
12	15 drain off top	2	Subass		
11	1.5x1.25 coupling	4	Subass		
10	UPS 25-30 pump	2	Subass	GRUNPOS	
9	35x1.25 F adaptor	4	Subass		
8	35 lock shield valve	4	Subass		
7	0.5 boiler test port	2	Subass		
6	35x1.5x1.5 tee	2	Subass		
5	Fixing bracket ø16	2	Subass	MC217030	
4	3x13mm cable	10m	Subass		
3	Switched fuse spur outlet box	4	Subass		
2	Switches base	1	Subass	MC217020	
1	Feeder ø764 - 15/5	1	Subass	MC217011	

DRAWN: IC TRACED: MF CHECKED: MF APPROVED: MF DATE: 27.03.97 SCALE: 1:5
2K170 MODULE DRAWING NO: MC217003.3