



Johnson & Starley

Hi-Spec J90

Warm Air Heater

Gas Fired, Open Flue, Downflow Air Heater

Designed for the full heating of larger houses and the replacement and upgrading of earlier systems.

HI-SPEC J90 has a range output of 20.5 - 26.4kW
(70,000 - 90,000Btu/h)

FEATURES

- **Basic Control As Standard**
- **Modairflow Control Optional**
- **Cleanflow Electronic Air Filtration Optional**
- **TTB Flue Spillage Monitoring Device**
Fitted As Standard
- **Summer Air Circulation As Standard**



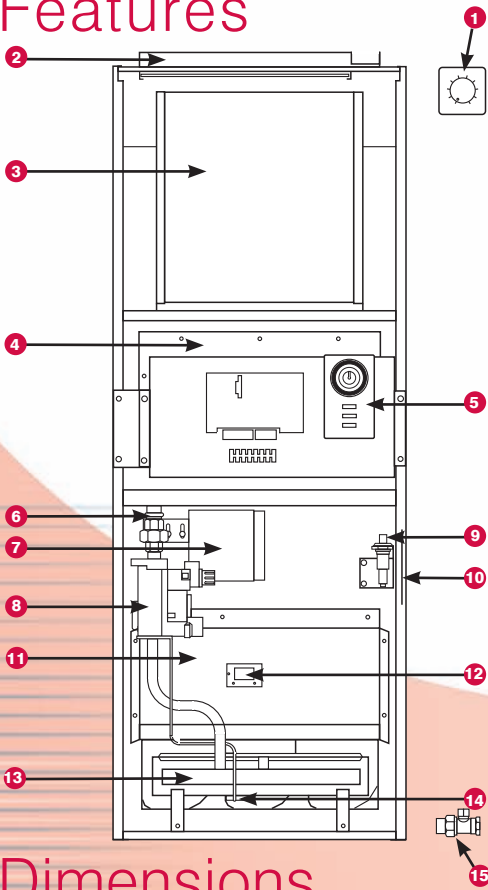
Installation Options: Compartment

**Fully Compliant with
PART L
BUILDING REGULATIONS**

RELIABILITY YOU CAN TRUST

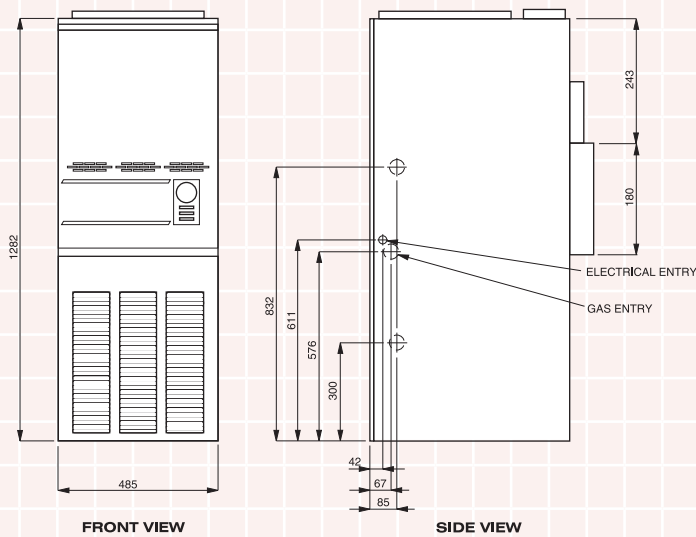
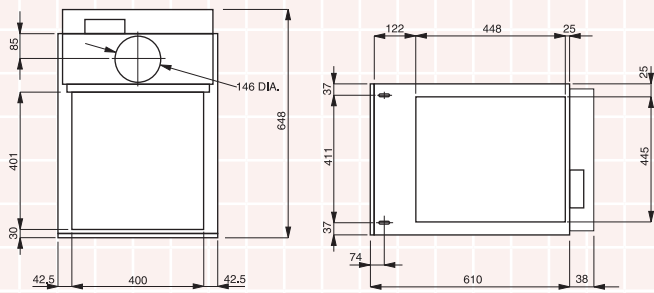
www.johnsonandstarley.co.uk

Features

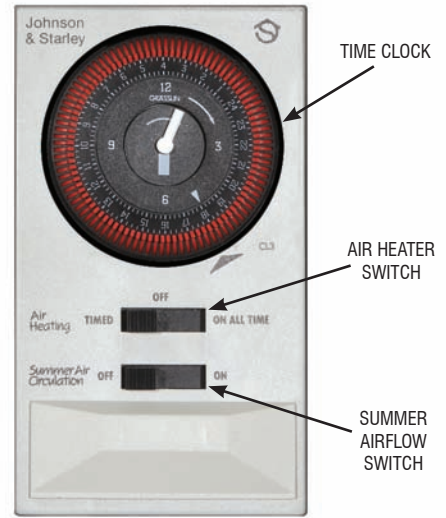


1. Thermista-Stat (Modairflow Model Only)
2. Air Filter
3. Air Circulating Fan
4. Heat Exchanger Access Cover
5. Time Control Module
6. Gas Supply Pipe
7. Fan Delay/Overheat (Limit) Control
8. Multi-Functional Control
9. Piezo Igniter Unit
10. Data Plate
11. Heat Shield
12. Viewing Port
13. Burner Bar Assembly
14. Pilot Burner
15. Gas Cock (Supplied Loose)

Dimensions



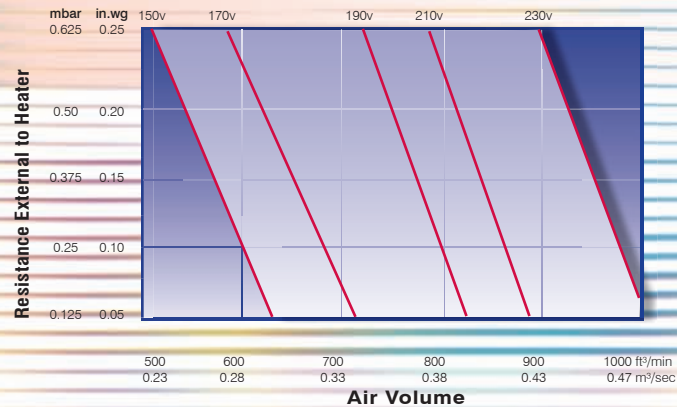
Control Clock



Specifications

| HI-SPEC J90 | | | |
|---------------------|------------|---------|-------|
| INPUT | kW | Btu/h | MJ/h |
| Low | 27.80 | 94,780 | 100.0 |
| High | 34.80 | 118,665 | 125.2 |
| OUTPUT | kW | Btu/h | MJ/h |
| Low | 20.50 | 70,000 | 73.9 |
| High | 26.40 | 90,000 | 95.0 |
| WEIGHT | Air Heater | | |
| | Kgs | lbs | |
| | 86 | 189.2 | |
| Flue Diameter 125mm | | | |

Fan Performance Graph



RELIABILITY YOU CAN TRUST

Rhosili Road, Brackmills, Northampton NN4 7LZ Telephone: 01604 762881 Fax: 01604 767408

In the interests of continuous development Johnson & Starley reserve the right to change specification without prior notice.

Publication No. ZZ996-3
 August 2009