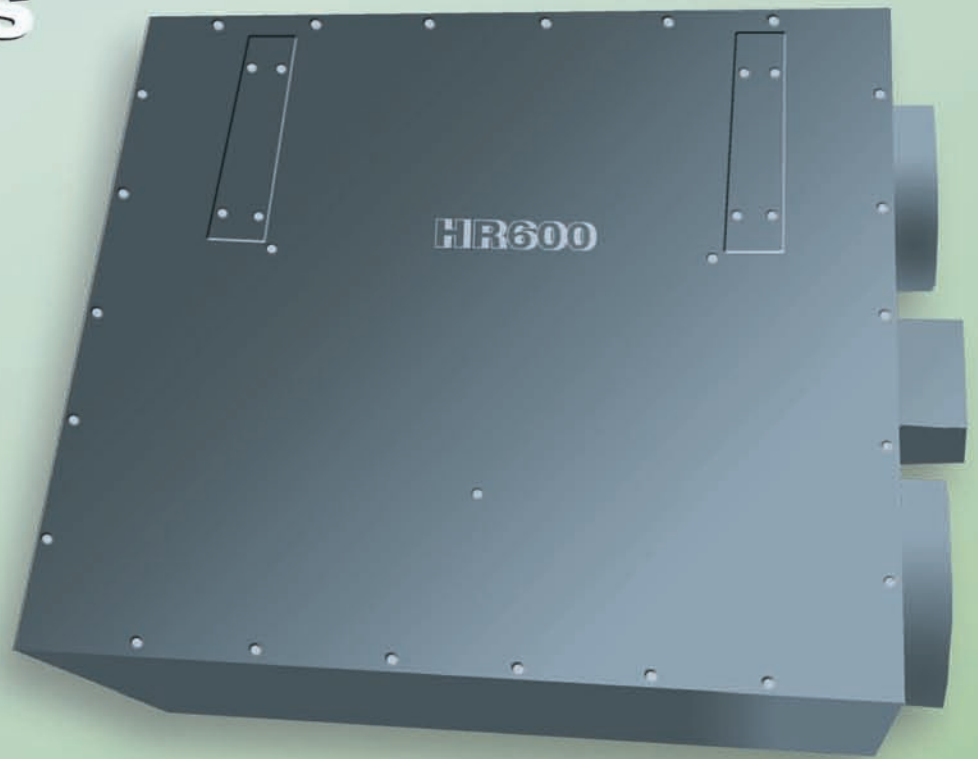




Johnson & Starley

# ventilation solutions



heat recovery

**If you  
insulate  
you must  
ventilate!!!**

## HR600 Mechanical Ventilation with Heat Recovery

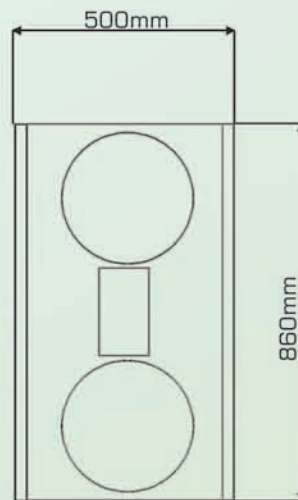
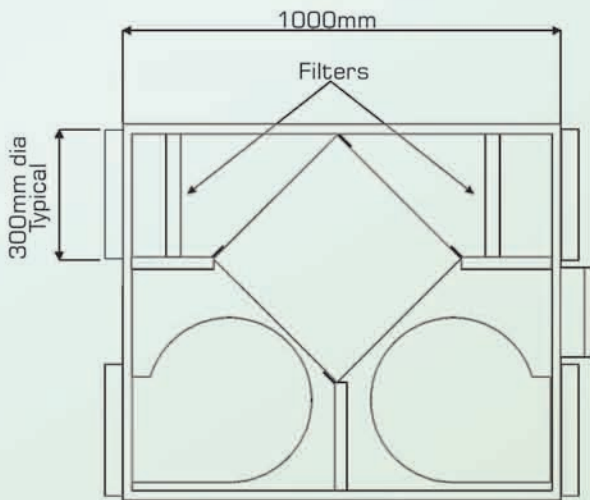
The HR600 is designed for use in commercial applications where there is a requirement for ventilation and improved air quality. For example clubs, pubs, cafes, offices, restaurants, shower rooms etc. The heart of the system is an aluminium heat exchanger which removes heat from extracted air and passes that heat to fresh incoming air, returning an efficiency of around 70%. Airstreams are kept separate to avoid contamination. Suitable for areas up to 2000m<sup>3</sup> (1/2 air change @ 50 Pa).

### Controls

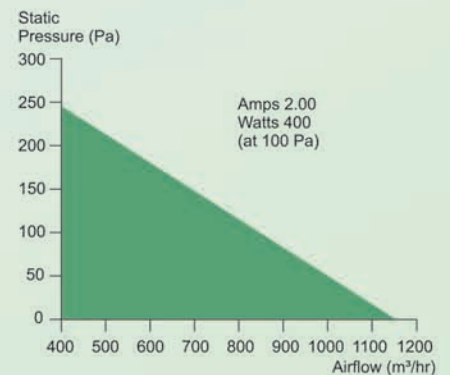
The HR600 comes complete with passive filter and the Johnson & Starley JS7 control panel. Ventilation rates can be balanced to achieve the optimum therefore avoiding under / over ventilation. Each of the two fans (extract and supply) can be adjusted separately and during summer months the heat recovery fan can be switched off leaving the system on extract only.

### System Design Services

Johnson & Starley offer a system design service using state of the art C.A.D. software. All system designs come complete with materials take-off and quotation for the complete pack including ductwork and fittings.



- Aluminium plate heat exchanger
- Centrifugal double inlet fans
- Complete with JS7 control panel for remote siting
- Access panel removable from both sides
- Passive filter fitted as standard
- Electronic filtration offered as optional extra
- Universal mounting brackets supplied as standard



## Johnson & Starley Ltd

Rhosili Road, Brackmills, Northampton NN4 7LZ

Tel: 01604 762881 Fax: 01604 767408

Web: [www.johnsonandstarleyltd.co.uk](http://www.johnsonandstarleyltd.co.uk)

Pub No. ZZ1155/1 SEPT 02

(Johnson & Starley reserve the right to change specification and design without prior notice)