

JANUS gas fired circulator water heaters



**Generous hot water –
economically**

**A Janus water heater provides
generous amounts of hot water for the average family.**

Economical hot water because:

Janus uses gas — the low cost fuel;
You select the temperature you prefer; Janus water heating is thermostatically controlled quite independently of your central heating system — so gives the same high standard of service and economy both winter and summer.

Janus water heaters are manufactured by Johnson & Starley — Europe's leading manufacturer of Warm Air Central Heating equipment. You can have a Janus water heater factory-fitted inside your new warm air heater.

If you already have a J & S air heater (most models) a Janus can be fitted with no fuss. It will use the same flue and gas supply as your air heater — but operate independently.

There is a Janus model to provide hot water service for families who do not have warm air heating. This needs its own flue and gas connection. It is compact and easily installed.

Janus water heaters must be connected by two simple pipes to a hot water storage cylinder. We recommend the 'indirect' type of cylinder unless you live in a soft water area where the water authority recommends the use of 'direct' cylinders.

Ask your local installer about Janus water heaters — he'll be happy to tell you.

You will be happy you chose Janus.

Janus circulator water heaters provide an efficient domestic hot water system when installed in conjunction with a hot water storage tank.

Models:

JANUS 3

For integral fixing in Johnson & Starley air heaters it can be fitted on site or supplied factory fitted.

JANUS 3/30

For independent mounting.

JANUS 3/SER (Right Hand)

JANUS 3/SEL (Left Hand)

Form part of a combined appliance when fitted via a transfer box to a JT/RS22-25 SE-duct air heater.

Specification:

	JANUS 3	JANUS 3/30	JANUS 3/SEL JANUS 3/SER
Ignition:	Manual. Permanent pilot with filter.	Manual. Permanent pilot with filter.	Piezo electric. Permanent pilot with filter.
Flue connection:	Integral with air heater.	76mm (3") dia.	SE-duct via transfer box supplied.
Mounting:	Integral with air heater.	Wall bracket provided. Can also be installed floor standing.	SE-duct fixing kit supplied with transfer box.

All models.

Thermal input: 4.4 kW (15,000 Btu/h)

Hot water output: 61 ltrs/h raised 44.5°C (13.5 gal/h raised 80°F)

Flow & Return connections: ¾" BSP female

Gas connection: ½" BSP

Max. working head: 20 m (65 ft)

Heat exchanger tubes: Bonded copper/aluminium

Combustion chamber: Rigid ceramic fibre insulation

Burner: Aerated — natural gas or propane

Flame failure device: Thermo electric

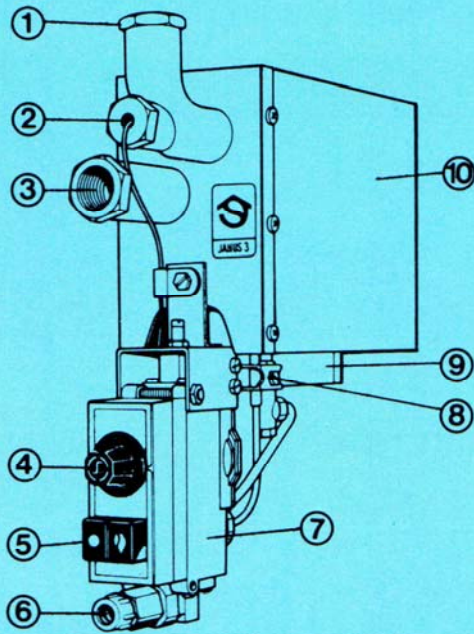
Water thermostat: Mounted in flow pipe of circulator. Factory set to 140°F adjustable to 170°F for indirect systems.

Kits available for field fitting of JANUS 3 into Johnson & Starley Air Heaters.

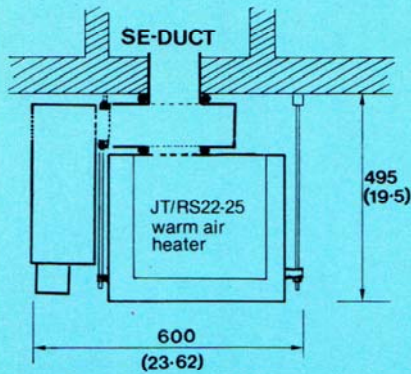
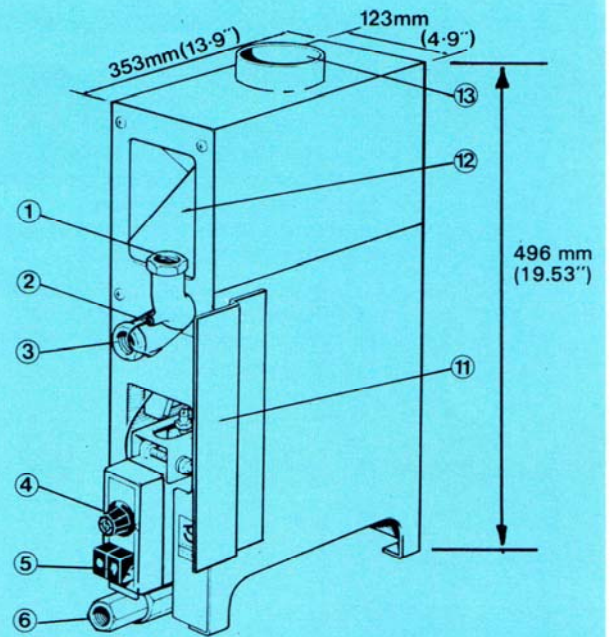
AIR HEATER	KIT	AIR HEATER	KIT
JT19-25 MK1	KK19	JA33-43	KK43
JT19-25 MK2	LK19	JWD32-45	KK45
JWD25	KK25	JWD38-50	KK50
J15-22 & R	KK32	J54-64	KK64
J25-32 & R	KK32		

Kits include flue connections, gas connection and mounting for Janus 3. For full details see appropriate air heater leaflet.

JANUS 3



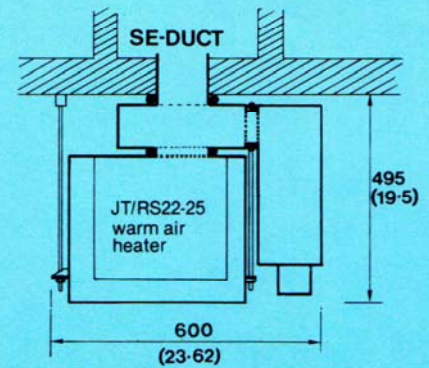
JANUS 3/30



Janus 3/SEL

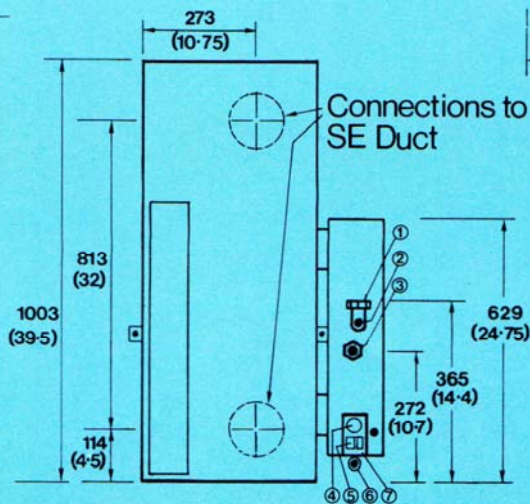
Can only be fitted to the left hand side of a JT/RS 22-25 Air heater as shown above.

JANUS 3/SEL and JANUS 3/SER



Janus 3/SER

Can only be fitted to the right hand side of a JT/RS 22-25 Air heater as shown above.



Dimensions in mm (inches)

Key to Illustrations

- | | |
|-------------------------------|--|
| 1. Flow connection | 8. Pilot burner |
| 2. Thermostat dial | 9. Burner |
| 3. Return connection | 10. Water heater body |
| 4. Manual temperature control | 11. Wall mounting bracket (either side). |
| 5. Burner on/off push buttons | 12. Draught diverter |
| 6. Gas connection | 13. Flue socket |
| 7. Gas valve | |

Applications

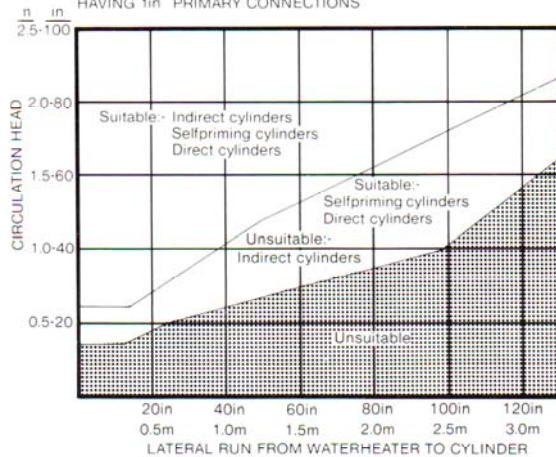
Janus water heaters can be used efficiently with (a) indirect cylinders (b) self priming cylinders (c) in soft water areas only — direct cylinders. Direct cylinders should only be used on the advice of the local water authority.

To ensure good circulation, flow pipes should be designed to run vertically from the water heater before running laterally. The lateral run of pipework should not be more than three times the circulation head. On indirect installations the vent pipe to the primary pipework should be connected as close as practical to the cylinder.

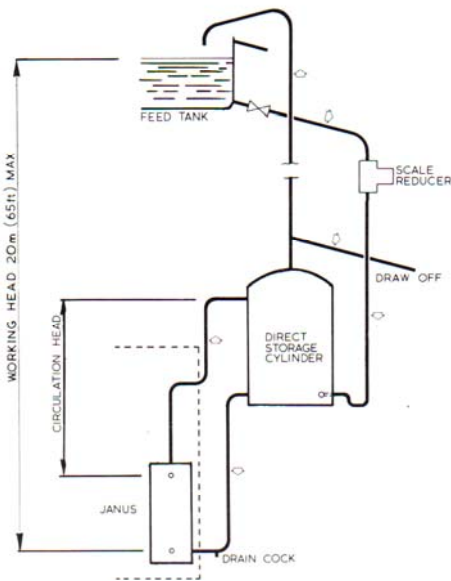
Installation: Flow and return water connections are at the front of the Janus water heaters — for easy installation. The Janus water heater incorporates its own thermostatic controls, no further controls are required.

ACCEPTABLE RELATIONSHIPS BETWEEN CIRCULATION HEAD AND LATERAL RUN OF 22mm PIPEWORK

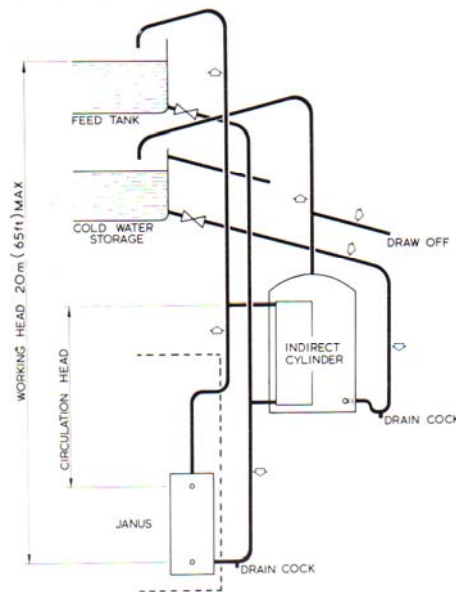
WHEN USED WITH CYLINDERS TO BS 1566 PART 1 1972 HAVING 1in PRIMARY CONNECTIONS



DIRECT SYSTEM



INDIRECT SYSTEM



Which Janus do you need?

Factory fitted in air heater: See appropriate air heater leaflet.

For site fitting into air heater: Janus 3S plus appropriate fitting kit.

For independent use: Janus 3/30.

For SE-Duct installation together with JT/RS22-25 SE air heater.

Note: JANUS 3/SEL and JANUS 3/SER can only be fitted in conjunction with a JT/RS 22-25 gas fired Air heater.