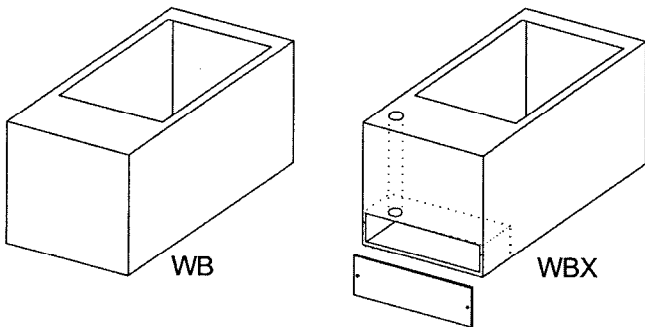


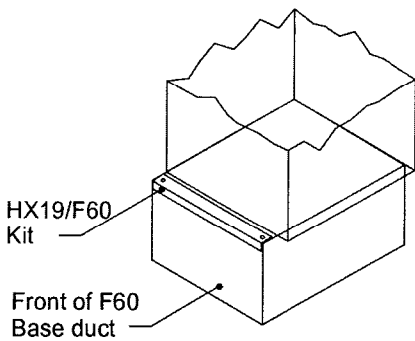
Base Tray

To give thermal insulation when a downflow heater is sited on a combustible floor using an underfloor plenum.



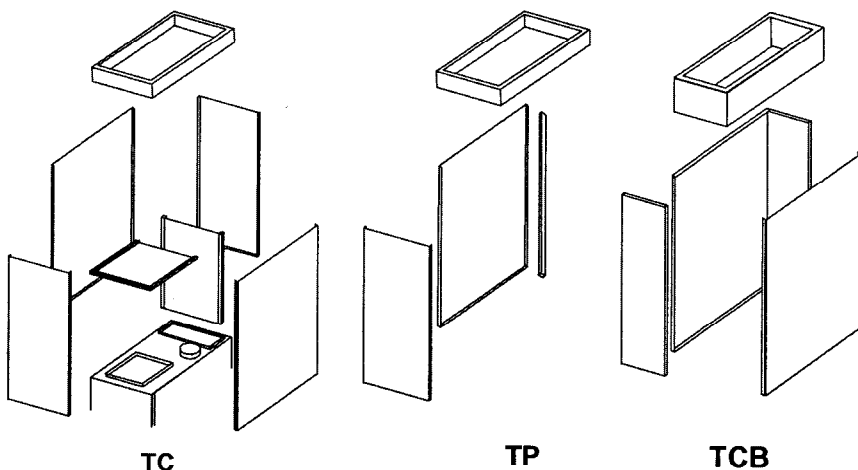
Base Duct

This is a warm air plenum designed to sit on the floor and colour matched to the heater. WB is a box whilst WBX has the facility to run a gas pipe through the front section.



Base Duct Adapter

Adapter plate, screws and sealing strips allow a new heater to be connected to an existing base duct.



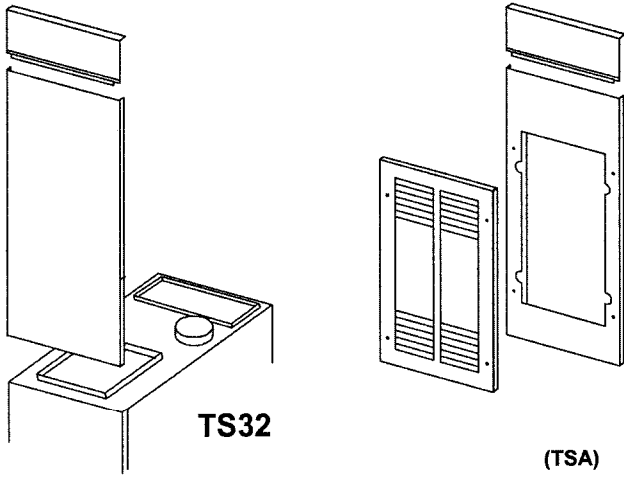
Top Closure Kit

Infil panels to connect from the top of a downflow heater to the ceiling. Used in free standing/storey height applications.

TC = 4 sides with integral return air plenum

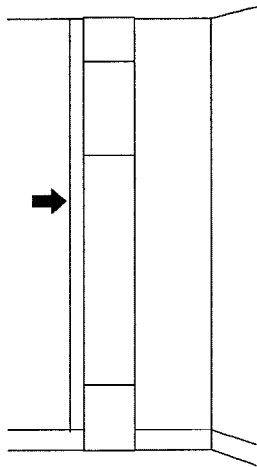
TP = 2 sides

TCB = 4 sides



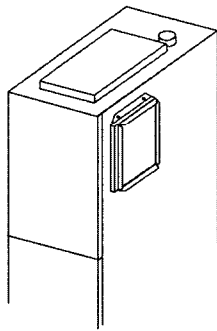
Slot Fix Panel

A single panel to connect from the front/top of the heater to the ceiling. TS is a plain panel whilst TSA and TSG have fitted return air grilles.



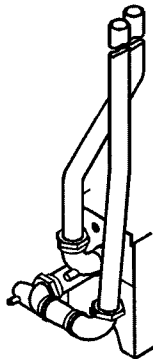
Side Closure Strip

Designed to infill at the side of the heater.



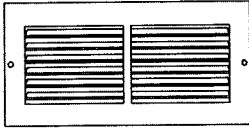
Side Return Air Kit

This kit allows the return air fixing to be moved from the top of the heater to either side. The J25 and MR heaters have this facility built in.



Flow and Return Kit

Provides pre-set flow and return pipes for connection from an integral Janus water heater, through the top of the warm air heater.

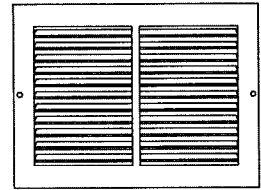


Combustion Grille

The combustion grille is designed to replace the front panel on a WBX base duct, allowing air for combustion to be ducted from outside the dwelling to the front compartment of the base duct. Thus providing fresh air to the front of the heater. For use with slot fix or free standing applications.

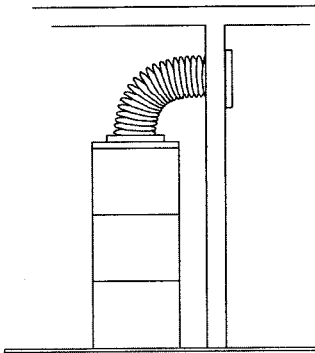
Return Air grille

Main return air grille/s



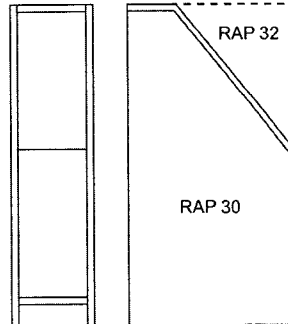
Base Duct Cover Plate

The base duct cover plate clips on to the existing base duct. Thus allowing for colour matching where a new heater is being fitted to an old base duct.



Return Air Kit

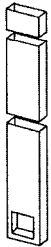
Provides flexible ducting for connecting to the heater and the return air grille. The kit provides a simple way of making a positive return air connection.



Return Air Plenum

Tailor made to provide a positive return air connection between the return air grille and the heater in a slot fix application.

Note: Because the B series heaters have large outputs, flexible return air kits are NOT supplied!

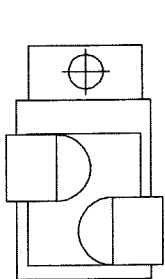
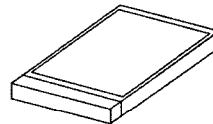


Rising Duct Kit

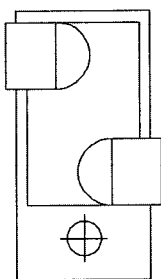
Designed to convert the M31 heater to a rear riser model.

Clean Flow Kit

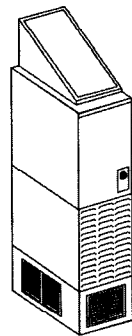
Replaces the passive filter on the heater with a electronic (positive) cleaner.



JU55FS



JU78FS



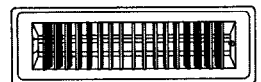
J90

Free Standing Kit

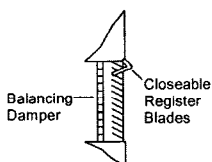
This kit allows the Hi-Spec J90 or the JU series heaters to be free standing. Thus the heaters do not require duct work.

ALSO STOCKED

Floor & Ceiling Diffusers.



Opposed Blade Dampers



Side Wall Registers

Note: sidewall registers MUST be fitted so that the closeable blades are directing the air downwards. Front vanes should be adjusted to give an even air distribution.

**WARM AIR HEATER ANCILLARY CHART
ANCILLARY TYPE**

Heater Model	Base Tray	Base Duct	base duct adpt	Top Closure Kit			Slot Fix Panel			Side Closure	Side Rtn air	Flow & Rtn	Combustion Grille	Base Cover Plate	Return Air Kit	Rtn Air Plen	Rtn Air Grille min free area	Rise Duct Kit	Cln Flow Kit	Free Strnd Kit
				TC	TCB	TP	TS	TSA	TSG											
Hispec J25	BT 25													RAK J25 (12")		630 cm ² 101 in ²		CF 25H		
Hispec J32	BT 32	WBX32 WB32		TC 32		TP 32	TS 32		TSG 32		SR 32	FR 32	CZ 1204	CP12/13 CP12/15	RAK J32 (12")	RAP 32	858 cm ² 137 in ²	B45 30	CF 32H	
Hispec J32R		WBX32R WB32R		TC 32R		TP 32R	TS 32		TSG 32			FR 32	CZ 1204	CP12/13 CP12/15	RAK J32 (12")	RAP 32	858 cm ² 137 in ²		CF 32H	
Hispec J30		WBX30			TCB 30		TS 30	TSA 30		SS 30	SR 30			CP6-8" CP10-10"			735 cm ² 118 in ²		CF 30H	
Hispec J40	BT40	WBX40 WB40		TC 40			TS 40				SR 40		CZ 1704-H		RAK J40 (14")		1120 cm ² 179 in ²		CF 40H	
Hispec J50	BT50	WBX50		TC5 50			TS 50				SR 50		CZ 1704-H		RAK J50 (14")		1260 cm ² 202 in ²		CF 50H	
Hispec J65	BT 65/90	WB 65/90													RAK J65 (16")		1593 cm ² 291 in ²		CF 90H	
Hispec J90		WB65/90													RAK J65 (16")		2118 cm ² 339 in ²		CF 90H	FS 90
Hispec JU55										SR 55							1330 cm ² 206 in ²			
JU78																	1886 cm ² 292 in ²			FS 78
JU177																	2829 cm ² 438 in ²			FS 117
JU156																	3773 cm ² 584 in ²			FS 156
MR															Myson R RAK 12"		630 cm ² 101 in ²			
Hispec M31		B 4525		TC 31M		TP 31M	TS 32		TSG 32 Includes RAP 31M						M31 RAK 12"		858 cm ² 137 in ²	B45 30	CFM 31	

Notes:

Johnson and Starley prides itself on the ability to supply spare parts quickly and efficiently. If you have a problem in obtaining a spare part, contact our spares department at the address below.

Telephone: 01604 762881

Fax : 01604 767408

JOHNSON AND STARLEY Ltd.,
Rhosili Road,
Brackmills,
Northampton, NN4 7LZ