



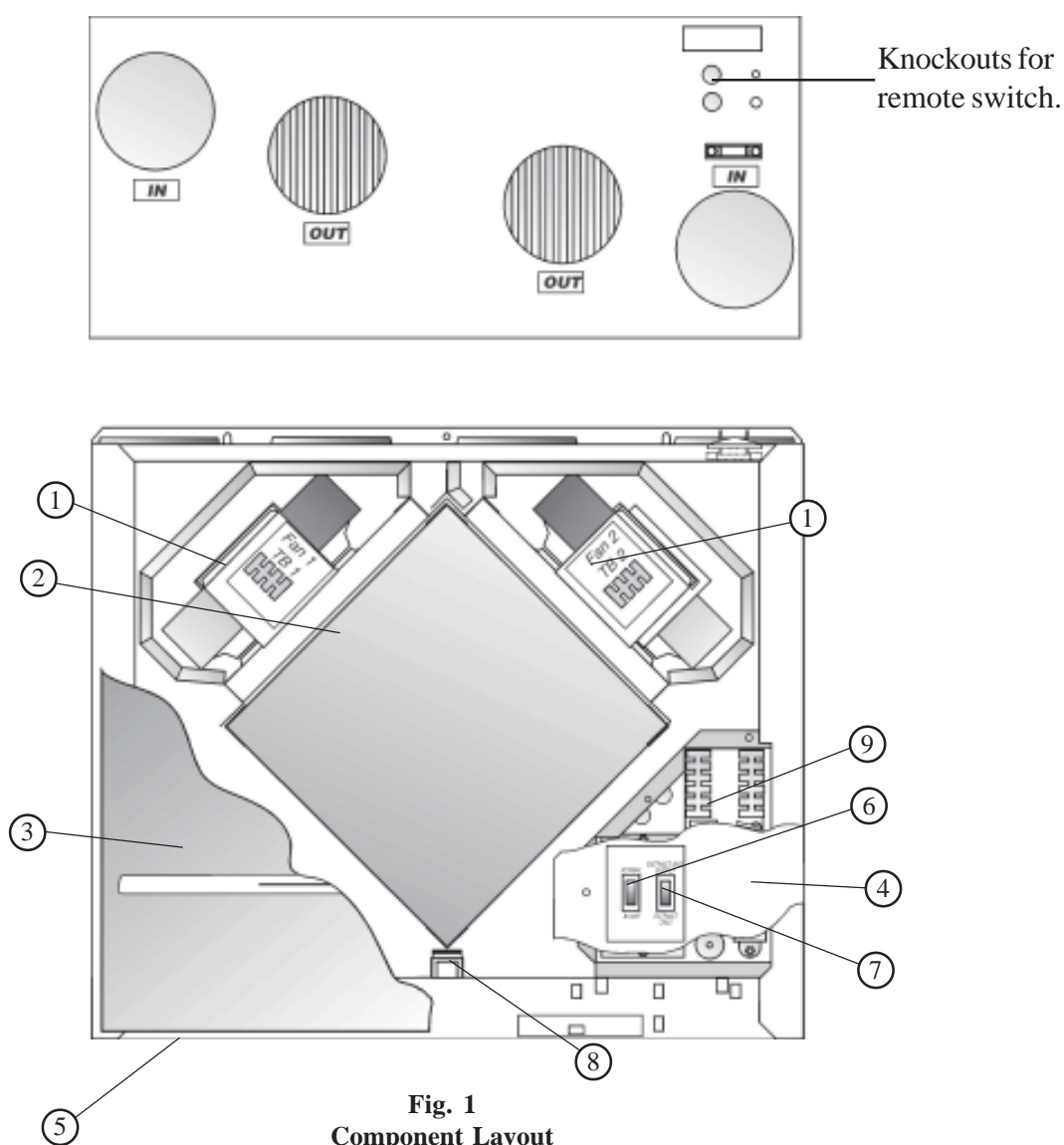
HR150 Mk3 and Mk3H VENTILATION SYSTEM WITH HEAT RECOVERY

Installation, Commissioning and Servicing Instructions

Publication No. ZZ1005/1
September 1998

1. GENERAL DESCRIPTION

1.1 The HR150 system provides whole house mechanical ventilation to living areas and bedrooms, extraction of stale contaminated air from kitchens and utility rooms, and recovery of heat from the extracted air to temper incoming fresh air. The ventilation and stale air streams are separate from each other. The unit is supplied assembled for right hand cooker hood extract, but may be changed to left hand configuration (refer to Section 2.5 of these instructions). HR150 Mk 3H units are available with an integral humidistat as an option which are not for use in cooker hood applications.



- | | | | |
|----|------------------------|----|--------------------------------------|
| 1. | Fan | 5. | Bottom Blanking plate (where fitted) |
| 2. | Heat Exchanger | 6. | Normal/Boost switch |
| 3. | Front decor panel | 7. | Extract & supply/Supply switch |
| 4. | Electrical cover panel | 8. | Locking wedge |
| | | 9. | Electrical panel |

1.2 COMPONENT CHECK

| Item | Description | Quantity |
|------|--|----------|
| 1 | Heat Recovery Unit HR150 Mk2 or Mk3 | 1 |
| 2 | Blanking Plate | 1 |
| 3 | Screw Self-tapping | 12 |
| 4 | Grommet | 2 |
| 5 | Installation, Commissioning and Servicing Instructions | 1 |
| 6 | User Instructions | 1 |

Ancillary Equipment

JS6 Remote fan speed switch control 1

CH Cooker Hood (without fan) - Ref. No. FV-14

Note: If HR 150 Mk3 is to be used in conjunction with the FV-14 cooker hood, then other exhaust ducts must form part of the system to prevent the exhaust air inlet of the unit being sealed by closure of the cooker hood vent.

HD153 Humidistat kit (not for cooker hood applications).

MK153 Free standing kit for roof space installation.

Note: For additional ancillary equipment e.g. ducting, grilles etc., refer to J&S Publication No. ZZ 571.

2. **INSTALLATION**2.1 **Installation shall be in accordance with the current editions of:**

Building Standards (Scotland) (Consolidation) Regulations.

Building Regulations.

BS5720: Mechanical ventilation and air conditioning in buildings.

BS7671: Requirements for Electrical Installations. Wiring Regulations.

2.2 The Design, Material Specification and Installation must only be carried out by competent heating and ventilation engineers.

2.3 **IMPORTANT: It must be ensured that flue gasses from fuel-burning equipment are not drawn into a living area. If any room where air is extracted contains a fuel burning appliance, such as a central heating boiler, then:**

2.3.1 **Its flue must be of the room sealed or balanced flue type, or,**

2.3.2 **Allowance must be made for an adequate supply of air into the room.**

2.4 **POSITIONING.**

2.4.1 The unit is best installed in a kitchen above the cooker, ideally in conjunction with a cooker canopy, but if this is not practicable, it can be positioned in the roof space or a heated area.

Note: Installation height is subject to local regulations, but the height (H) of a cooker canopy must not be less than 450mm from the top of an ELECTRIC cooker, or less than 600mm from the top of a GAS cooker (refer to Fig. 4).

2.4.2 When the unit is installed in the roof space or a heated area, it may only be positioned on its back (as shown in Fig. 2a).

2.4.3 It is not advisable to install the unit so that it is directly above a bedroom or living room ceiling, or in an area that is part of a living area or bedroom. If this is likely to cause a problem, please contact Johnson and Starley Ltd.

2.4.4 Consideration must be given to access for servicing, as servicing of the fans and cleaning of the heat exchanger must be carried out annually.

2.5 **PREPARATION (in areas other than roof space).**

2.5.1 Remove the front decor panel by releasing the 2 x screws and lifting the panel clear of the appliance. Remove the electrical cover panel to provide access to the electrical connections.

2.5.2 With reference to Fig. 3, decide whether the unit is to be installed in the right handed configuration (as supplied), or left handed. If the handing of the unit is to be changed, proceed as follows, otherwise continue preparation from Section 2.5.3

a. Remove the four screws securing the blanking cover on the base tray, and transfer the cover to the other extract aperture, ensuring that the humidistat sensor protrudes 100 mm into the air passage (HR150 Mk3H only).

b. Swap the positions of the condensate drain blanking grommet, and the condensate drain elbow fitting complete with plastic washer. Access to the drain elbow nut may be gained through the extract aperture.

c. Referring to Fig. 7, interchange the following connections on the terminal block:

YELLOW lead from terminal '5' to terminal '6'

BLUE lead from terminal '6' to terminal '5'

2.5.3 **Condensate.**

IMPORTANT: At times the unit will produce condensate which **MUST** be drained away. The unit is provided with a 15mm compression elbow fitting in the drip tray, to enable a 15mm copper condensate drain pipe to be connected.

- 2.5.4 The drain pipe, which must have a continuous fall of at least 3° (6mm per 100m or 3/4" in per foot run), can either be chased into the wall or run downwards from the unit, to terminate outside the building into the nearest drain or gutter (see Fig. 2).
- 2.5.5 In some instances a condensate connecting point will already be provided as part of the building design. The position of this point, relative to where the heat recovery unit is to be installed, is to be checked for any appreciable connection misalignment, and necessary adjustment is to be made before proceeding any further.
- 2.5.6 Decide from which exit the condensate drain pipe is to be connected, and remove the knockout from the appropriate side panel. If necessary, loosen the condensate elbow fitting, rotate it to face the knockout hole and re-tighten.

Note: HR150 Mk3 is pre-configured for drainage from the left hand lower exit.

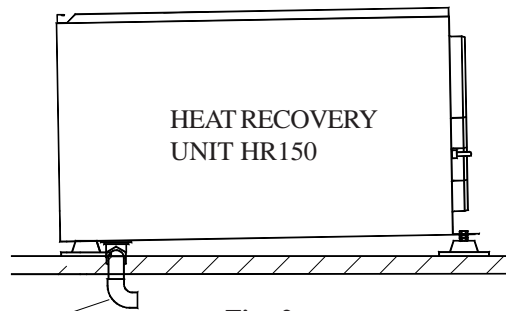
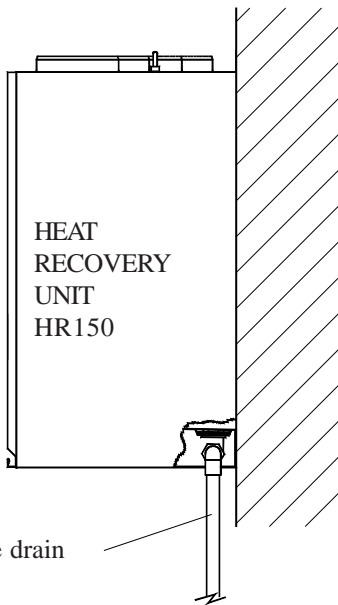


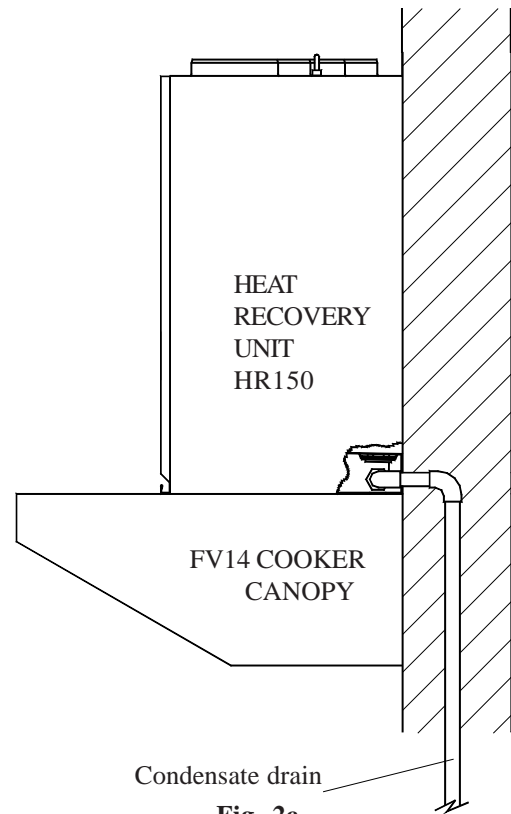
Fig. 2a
HR150 Loft installation (horizontal)

Condensate drain
(knockout on rear panel)



Condensate drain

Fig. 2b
HR150 Wall mounted installation



Condensate drain

Fig. 2c
HR150 Cooker canopy installation

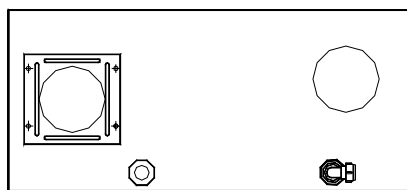
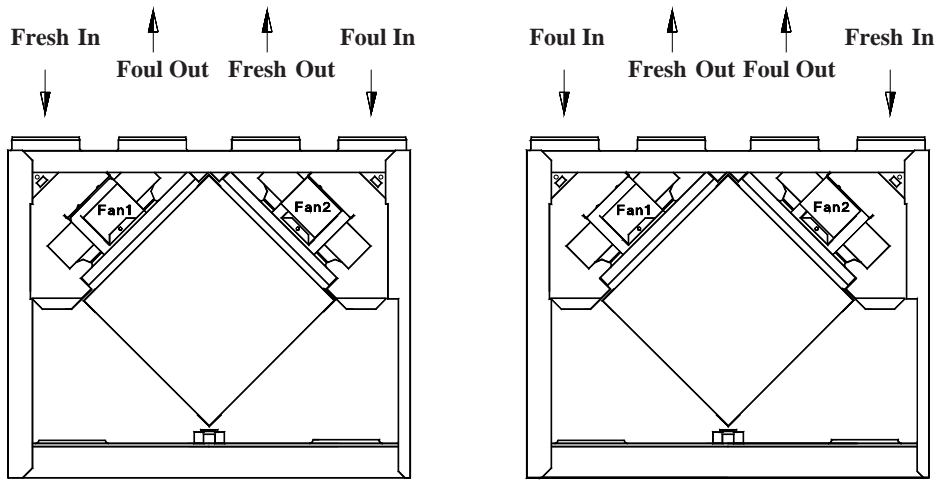
Fig. 2
Condensate Drain Routing

- 2.5.7 **Positioning.** Using the template provided, mark out the required fixing hole positions, together with the condensate exit point, relative to a predetermined DATUM LINE (see Fig. 8).

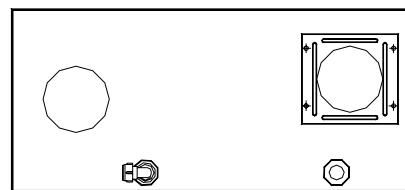
Note: It is important that the unit is mounted perfectly horizontally, in order that the condensate drain shall function effectively.

Drill the wall to suit the type of fixing to be used and apply the top two fixings to accept the recovery unit.

Note: For masonry walls, drill holes to suit masonry plugs; for other wall types, prepare the wall to suit a purpose-made fixing.

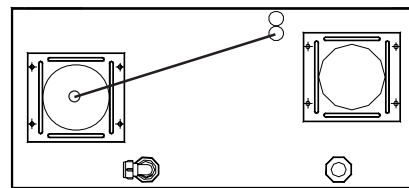


Opposite hand



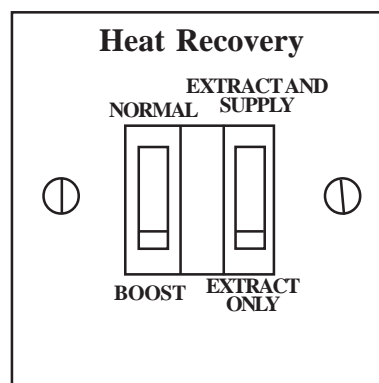
As supplied

(see also section 4.4 and Fig. 7 Wiring Diagram)



HR150 Mk.3H (with humidistat)

COOKER HOOD APPLICATIONS



JS6 REMOTE SWITCH

**Fig. 3
Optional Installations**

2.6 MOUNTING (without FV14 Cooker Canopy, in areas other than a roof space).

- 2.6.1 Hang the unit onto the two top wall fixings. Mark through, drill and plug the remaining fixing holes.
- 2.6.2 Referring the Fig. 2, determine the method to be used and make the condensate drain pipe connection to the unit.
- 2.6.3 Secure the unit to the wall, using washers under the screw heads if necessary, and complete the condensate drain system.
IMPORTANT: There must be a sufficiently large visible gap between the condensate drain pipe termination and the collection point, to prevent ice buildup.
- 2.6.4 Fit the blanking plate to the base of the unit and secure using 8 of the self tapping screws provided.

2.7 MOUNTING (in conjunction with an FV14 Cooker Canopy)

Note: Refer to the Instructions provided with the Cooker Canopy.

- 2.7.1 Remove the external grille section and foam filter from the canopy.
- 2.7.2 Remove the front glass by folding back the two retaining springs and withdrawing the glass forward.
- 2.7.3 Ensuring that the base of the unit is spaced the same distance from the wall as the top of the canopy, offer the canopy up to the base of the unit and mark the fixing hole positions.
- 2.7.4 Drill the wall to suit the type of fixing to be used.
- 2.7.5 Referring the Fig. 1, remove the electrical panel cover.
- 2.7.6 Feed the electrical cable from the canopy through the grommet in the side of the unit electrical box and fit the canopy to the base of the unit, with self tapping screws provided, from the inside of the canopy using the four holes provided in each compartment.
- 2.7.7 Referring to Fig. 7, connect the canopy electrical cable as follows:
Brown connector to Terminal Block TB3 terminal marked 'L',
Blue connector to Terminal Block TB3 terminal marked 'N',
Green/Yellow connector to the common **Earth Point**.
- 2.7.8 Secure the canopy to the wall using the four fixing points previously prepared. Refit the front glass, foam filter and external grille section to the canopy.
- 2.7.9 Refit the sealing cover, electrical panel cover and decor panel to the heat recovery unit.

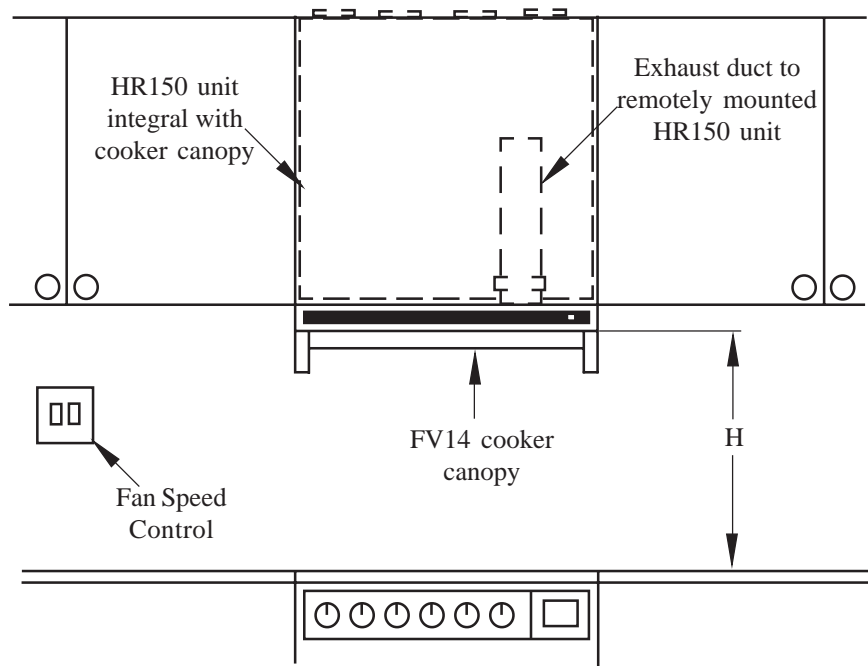


Fig. 4
Typical Cooker Hood Installation

2.8 MOUNTING IN A ROOF SPACE

Mounting Kit MK153 is required for roof space applications. These instructions are to be read in conjunction with those supplied with MK153.

- 2.8.1 Connect 15mm copper pipe, having a continuous fall of at least 3° (6mm per 100m or $\frac{3}{4}$ in per foot run) away from the unit to assist flow, to the condensate exit point 15mm compression elbow, ensuring the run is fitted in a way such that the risk of mechanical damage is minimised. Run the pipe internally as far as possible and insulate the pipe to protect against freezing.
- 2.8.2 The drain pipe must terminate outside of the building and must be run as near vertical as possible into the nearest drain or gutter.

IMPORTANT: There must be a sufficiently large visible gap between the condensate drain pipe termination and the collection point, to prevent ice buildup.

3. DUCT AND DUCT CONNECTIONS (Refer to design drawing)

- 3.1 Four 100mm nominal diameter spigots are provided for connection of the ducting. These must be connected to the supply and exhaust ducts according to left or right hand configuration (refer to Fig. 3).
Note: Flexible or rigid ducting may be used, but must fit OVER the spigots.
- 3.2 Where ducts are exposed in unheated areas, they must all be insulated with at least 25mm of polyurethane foam or equivalent, except for the exhaust duct from the unit to the atmosphere.
- 3.3 The duct layout must be designed to suit the requirements of the ventilation/recovery system and building layout, and suitable fire dampers **MUST BE FITTED** to protect against fire being transmitted through the ducting.
- 3.4 Where rigid ducting is used, it should be installed using the least number of fittings to minimise resistance to air flow. Where possible, final connection to grilles and the unit should be made with a flexible connection.
- 3.5 Where flexible ducts are used, ensure that:
- 3.5.1 Ducting lengths are kept to minimum.
- 3.5.2 Ducting is stretched so that it is smooth and straight.
- 3.5.3 Where bends are necessary, their radius is as large as possible to avoid sharp corners.
- 3.5.4 Where ducting is run in restricted areas, the ducting is not crushed.
- 3.6 The inlet for the fresh air supply can be direct from outside or from within a ventilated roof space. If the supply is direct from outside, it must have an external wall baffle fitted if supplied through a wall, or a recognised roof terminal if supplied through a roof.
- 3.7 The exhaust air must exit to outside through either a wall or a roof, and must be protected by a wall baffle or recognised roof terminal.
- 3.8 Kitchen extracts must be filtered.

4. ELECTRICAL

WARNING: THIS APPLIANCE MUST BE EARTHED. ALL WIRING MUST CONFORM TO INSTITUTE OF ELECTRICAL ENGINEERS (I.E.E.) REGULATIONS 488 (CURRENT EDITION).

- 4.1 The unit is suitable for a 230V, 50Hz single phase supply fused at 3A.
- 4.2 The unit is supplied with a mains flexible cord (PVC sheathed, 3-core brown, blue & green/yellow 0.7mm² to BS6500,) connected to a terminal block and exiting through a grommet and cable clamp at the right hand top of the unit.
- 4.3 A fused spur box, or double pole switch having a minimum contact separation of 3.0mm, must be used to provide isolation for the unit.
- 4.4 **IMPORTANT:** If the unit is required oppositely handed to that supplied, then the **BLUE** and **YELLOW** leads to terminals **F1** and **F2** (respectively) must be changed over, (i.e. **BLUE** from **F1** to **F2**, and **YELLOW** from **F2** to **F1**).
- 4.5 **Installation notes for JS6 (remote fan speed control):**
- 4.5.1 If the heat recovery unit is to be loft mounted, a remote fan speed control/summer switch (JS6) is required (see section 1.1). This will usually be situated in the kitchen, and must be connected to the unit by 3-core and earth (CMA Ref. 6243Y) and 2-core and earth (CMA Ref. 6242Y) 1mm² PVC covered cable in accordance with the wiring diagram Fig. 7
- 4.5.2 The fan speed control/summer switch must not be mounted above, or closer than 1m to, the cooker where it could be affected by excessive heat and/or moisture.

- 4.5.3 If the Fan speed control/summer switch is to be fitted to a surface mounted control box, the box must not be mounted on a conductive unearthed metal panel or decorative tile, and must include a suitable earth terminal for terminating the cable.
- 4.5.4 The wiring to the switches incorporated in the unit must be removed in its entirety, and the remote switched wired to the terminal strip, via the knockouts in the top of the unit (refer to Fig. 1), using the grommets supplied in the JS6 kit. Connections are to be in accordance with the wiring diagram (Fig. 7).

Note: The switch terminal markings differ according to manufacturer. Referring to Fig. 7:

On RPP switches: 0 = 2W, 1 = 1W

On MK switches: 0 = L1, 1 = L2.

Connections from the remote switch to the terminal block are as follows:

| NORMAL/BOOST SWITCH | EXTRACT SWITCH | TERMINAL BLOCK |
|---------------------|----------------|----------------|
| 0 | --- | 7 |
| 1 | --- | 3 |
| --- | 0 | 6 |
| --- | 1 | --- |
| COMMON | COMMON | 5 |

5.

COMMISSIONING

- 5.1 The unit operates by a fan extracting hot, stale air from kitchens, w.c.'s, bathrooms etc., passing it through a heat exchanger and out to atmosphere. Another fan draws in cool fresh air and passes it through the same heat exchanger where it absorbs heat from the outgoing stale air. Refer to Table 2 for switch functions.

| SWITCH POSITIONS | | FUNCTION |
|------------------|------------------|--|
| NORMAL/BOOST | EXTRACT | |
| NORMAL | EXTRACT & SUPPLY | Both fans running at normal speed |
| BOOST | EXTRACT & SUPPLY | Both fans running at full speed |
| NORMAL | EXTRACT | INLET fan stopped. EXTRACT fan running at normal speed |
| BOOST | EXTRACT | INLET fan stopped. EXTRACT fan running at full speed |

Table 1
Switch Functions

- 5.2 The unit must be set up as detailed in section 5.3, so that the NORMAL setting on the fan speed control (see Fig. 5) enables the INLET fan to deliver the designed volume airflow. The switching from NORMAL to BOOST allows the unit to extract at a greater rate to cope with any increase in the build up of condensation or foul air, e.g. when cooking etc.
- 5.3 Before commencing the commissioning procedure, refer to the design drawing for correct air flows.
Note: Extract air and supply air volumes will not always be equal, therefore, when setting up, the extract system should be the datum.
- 5.3.1 Ensure that the exhaust and supply grilles or valves are open.
- 5.3.2 Turn the electrical supply ON, and set the fan speed control to 'NORMAL'.
Note: If the fans do not start, refer to the defect diagnosis chart on page 10
- 5.3.3 Check the airflows at the grilles or valves, and adjust to suit the design figures by turning the centre of the grille clockwise to decrease the airflow, and anticlockwise to increase the airflow.
- 5.3.4 If the airflow is still too low (the unit is factory set to provide a minimum airflow), proceed as follows:
- Turn the electrical supply OFF,
 - Remove the electrical cover panel (refer to section 6.3.1),
 - Locate the 'Voltage Selector' (refer to Fig. 6 and Table 2) and transfer the flying lead to the next connection on the terminal block,
 - Refit the electrical cover panel,
 - Turn the electrical supply ON.

5.3.5 Re-measure the airflows at the grilles or valves as detailed in para 5.3.3, and repeat the procedure until the correct airflows are achieved.

5.3.6 Set the fan speed control to 'BOOST' and ensure that the airflows increase.

5.3.7 If the unit is installed with a Johnson & Starley warm air heater, the airflow is to be set by taking measurements at the extract grilles or valves.

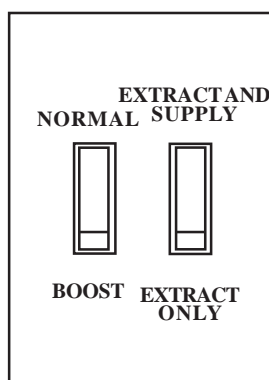


Fig. 5
Fan Speed Control

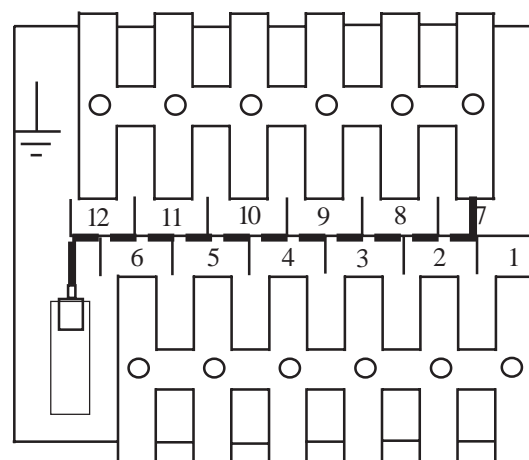


Fig. 6
Voltage Selector

| TERMINAL | 8 | 9 | 10 | 11 | 12 |
|----------|-----|------|------|------|------|
| VOLTAGE | 80V | 100V | 120V | 140V | 160V |

Table 2
Voltage Selector Potentials

6.

SERVICING

IMPORTANT: Before commencing any servicing or component replacement, ensure the ELECTRICAL SUPPLY to the unit is ISOLATED.

Cleaning of the extract and supply fans and heat exchanger is required annually.

Filters on the cooker canopy or kitchen extract may require cleaning more frequently. Clean in accordance with their relevant instructions.

6.1 HEAT EXCHANGER REMOVAL AND SERVICING:

6.1.1 Remove the front decor panel. Release the 16 screws securing the sealing cover, swing the electrical cover panel forward and remove the sealing cover, taking care to avoid damage to the gasket.

6.1.2 Release the heat exchanger by withdrawing the wedge at the bottom of the heat exchanger, and remove the heat exchanger from the unit, **taking care to avoid damaging the heat exchanger air passages.**

6.1.3 Check that all the air passages are free from obstruction. If no, clean by washing in a soapy solution, or with a light brush.

Note: Under no circumstance must any sharp implement, that is likely to distort or puncture the air passage walls, be used.

6.1.4 Refitment or replacement is in reverse order. Ensure that the retaining wedge firmly secures the heat exchanger.

6.2 FAN ASSEMBLY REMOVAL AND SERVICING:

6.2.1 Referring to section 6.1, remove the heat exchanger.

6.2.2 Disconnect the wiring from the electrical panel to the fan, at the fan terminal block.

6.2.3 Release the 4 screws securing the fan assembly to the heat exchanger compartment, and withdraw the fan assembly.

6.2.4 Remove all dust etc. from both the impeller and the motor, taking care not to disturb the balance of the fan.

6.2.5 Refitment or replacement is in reverse order.

6.3 **TRANSFORMER REMOVAL:**

- 6.3.1 Remove the front decor panel and electrical cover panel.
- 6.3.2 Disconnect the transformer conductors from the electrical panel terminal block, noting their positions for reconnection.
- 6.3.3 Release the 2 x nuts securing the transformer to the electrical compartment, and withdraw the transformer.
- 6.3.4 Refitment or replacement is in reverse order.

6.4 **SWITCH REPLACEMENT:**

- 6.4.1 Remove the front decor panel and electrical cover panel.
- 6.4.2 Note the position of the three conductors to the switch for reconnection purposes, and disconnect the conductors from the switch.
- 6.4.3 Remove the switch by depressing the retaining springs at the top and bottom of the switch and withdraw the switch from the electrical cover panel.
- 6.4.4 Replacement is in reverse order.

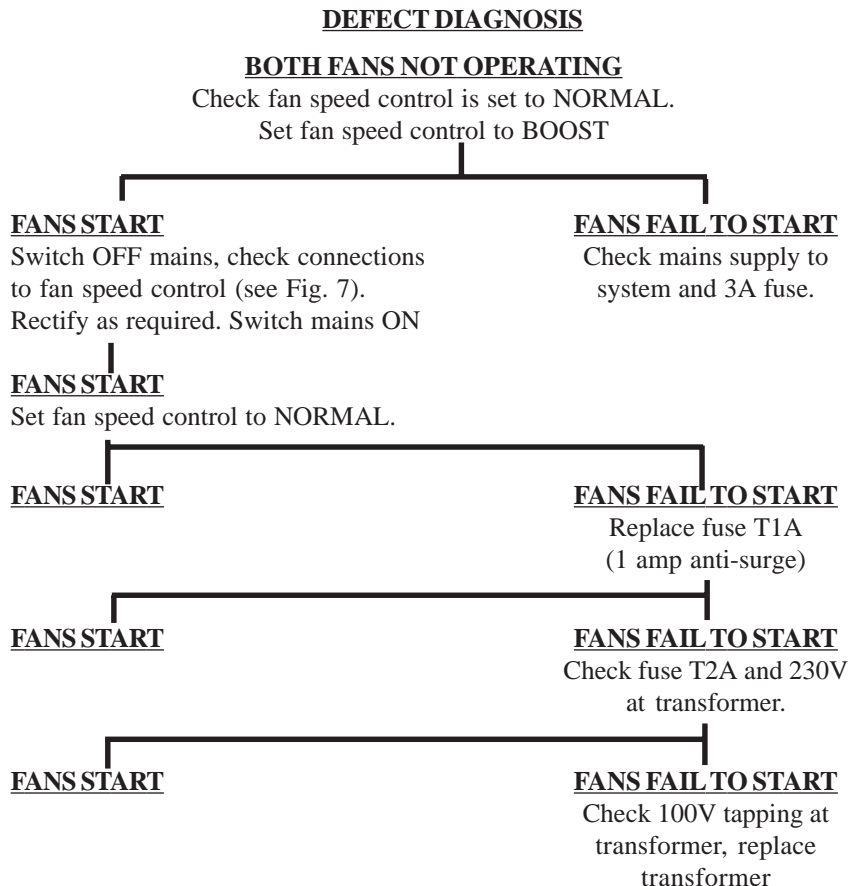
6.5 **HUMIDISTAT REMOVAL (where fitted):**

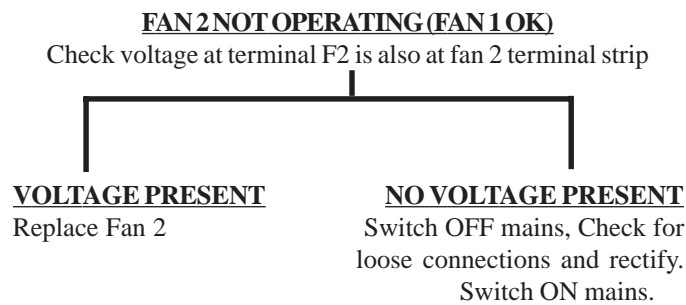
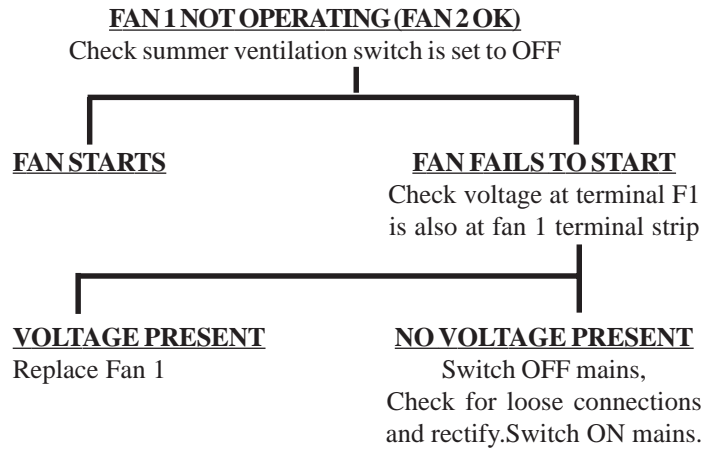
- 6.5.1 Remove the front decor panel and electrical cover panel.
- 6.5.2 Disconnect the Humidistat conductors from the electrical panel terminal block, noting their positions for reconnection.
- 6.5.3 Release the 4 x securing screws, and remove the Humidistat sensor blanking plate.
- 6.5.4 Withdraw the Humidistat sensor and cable from the blanking plate.
- 6.5.5 Release the 2 x nuts securing the Humidistat and withdraw the Humidistat, cable, sensor and 3 x grommets from the electrical cover panel.
- 6.5.6 Refitment or replacement is in reverse order, ensuring the Humidistat sensor extends perpendicularly beyond the blanking plate, and the top of the sensor is 110mm from the blanking plate.

6.6 **SYSTEM MAINTENANCE:**

- 6.6.1 Clean any in-line filter that may be fitted in accordance with the filter's instructions.
- 6.6.2 Clean the kitchen extract grille filter (if fitted) by washing in a soap solution.
- 6.6.3 Clean the filter in the cooker canopy (if fitted) in accordance with the instructions provided with the cooker canopy.

7.

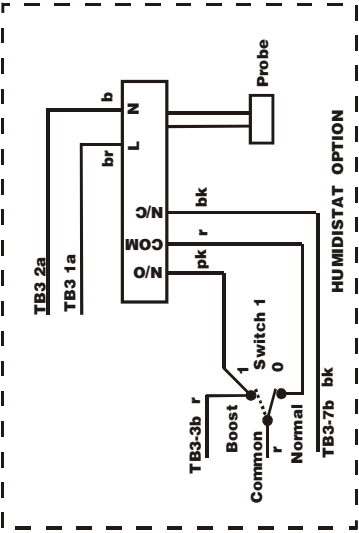
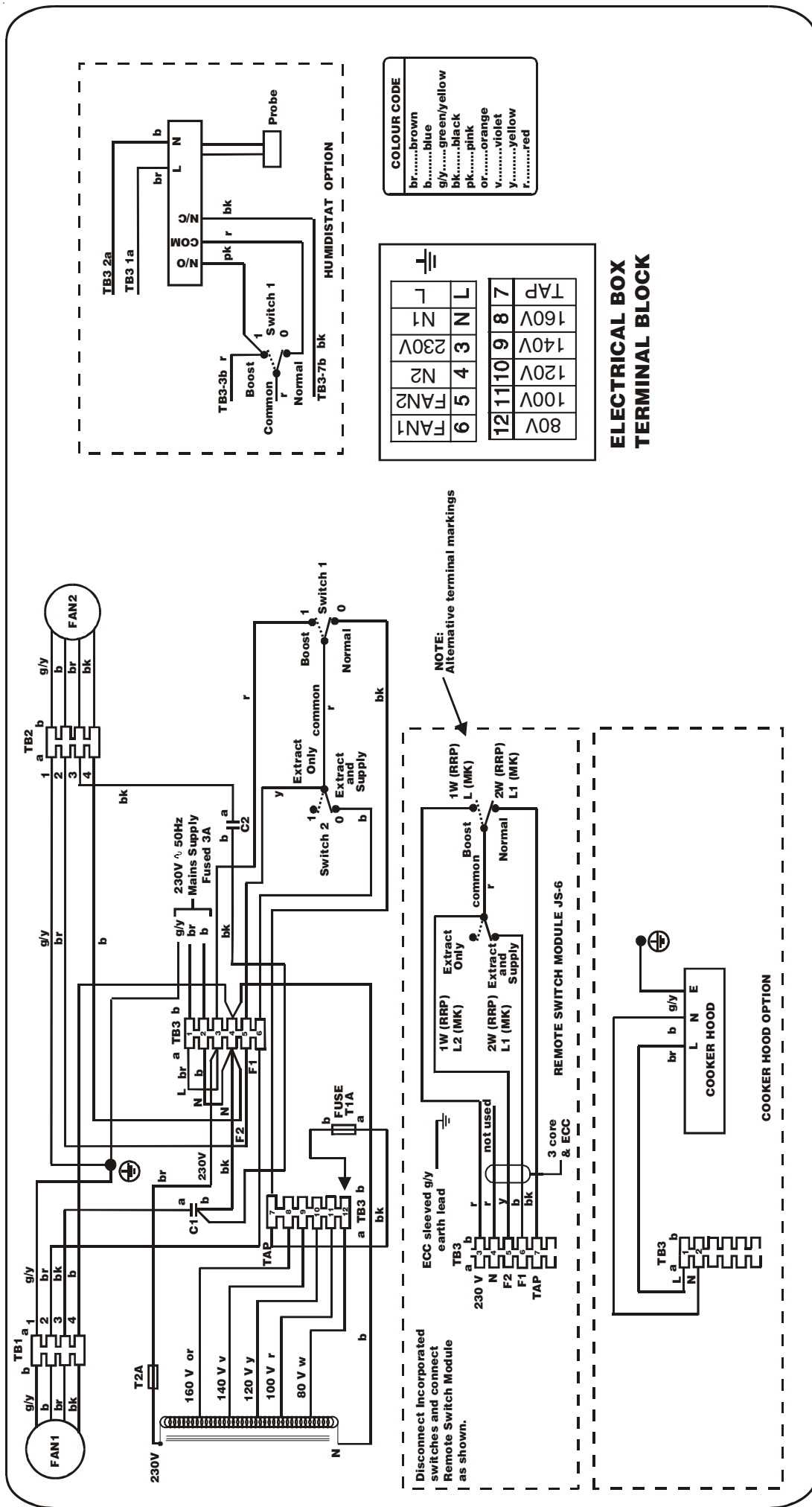




8.

SPARES LIST

| Part Number | Description | Qty |
|--------------------|----------------------------------|------------|
| 1000-0504780 | Air circulating fan | 2 |
| 1000-0300170 | Heat Exchanger 265 x 265 x 265mm | 1 |
| H152-0115000 | Front decor panel | 1 |
| H152-0113000 | Sealing cover and gasket | 1 |
| 1000-0506480 | Transformer | 1 |
| 1000-0504740 | Capacitor 2μF, 450V wkg | 2 |
| 1000-0514530 | Switch | 2 |
| 1000-0516490 | Humidistat (if fitted) | 1 |



| | | | | | | |
|-----|----|------|------|--------|------|------|
| TAP | | 160V | 140V | 120V | 100V | 80V |
| N1 | | 230V | N2 | 121110 | TAN2 | FAN1 |
| L | N1 | 3 | 4 | 5 | 6 | 7 |
| L | N1 | 3 | 4 | 5 | 6 | 7 |

COLOUR CODE

| | |
|----------|--------------|
| br..... | brown |
| b..... | blue |
| g/y..... | green/yellow |
| bk..... | black |
| pk..... | pink |
| or..... | orange |
| v..... | violet |
| y..... | yellow |
| r..... | red |

ELECTRICAL BOX TERMINAL BLOCK

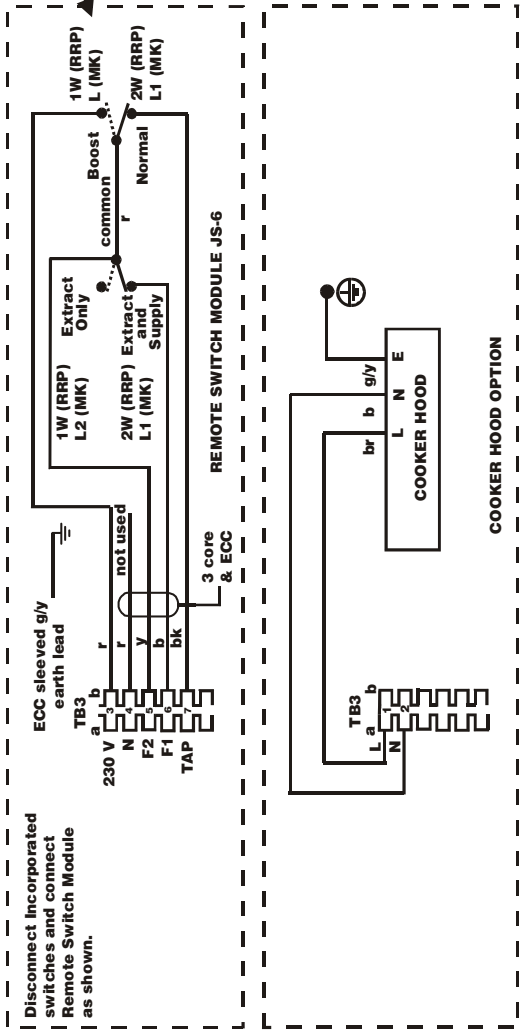


Fig. 7
HR150 Mk.3 and HR150 Mk.3H Wiring Diagram

Johnson and Starley prides itself on its ability to supply spare parts quickly and efficiently. If your service engineer indicates a problem in obtaining a spare part, advise him to contact Johnson and Starley Spares Department at the address below.

Telephone: 01604 762881

**JOHNSON AND STARLEY Ltd.,
Rhosili Road,
Brackmills,
Northampton, NN4 7LZ**

Fax: 01604 767408