

FLUE DEFLECTOR KIT

When replacing any part on this appliance, use only spare parts that you can be assured conform to the safety and performance specification that we require. Do not use reconditioned or copy parts that have not been clearly authorised by Ideal.

For the very latest copy of literature for specification and maintenance practices visit our website www.idealheating.com where you can download the relevant information in PDF format.

INTRODUCTION

This kit is suitable only for the domestic gas boilers listed below :

Independent C24	G.C. No. 47-348-68	Logic Combi 24.....	G.C. No. 47-348-56
Independent C30	G.C. No. 47-348-69	Logic Combi 30.....	G.C. No. 47-348-57
Independent C35	G.C. No. 47-348-70	Logic Combi 35.....	G.C. No. 47-348-58
Elise H15	G.C. No. 41-399-97	Logic + Combi 24	G.C. No. 47-348-65
Elise H24	G.C. No. 41-399-98	Logic + Combi 30	G.C. No. 47-348-66
evo HE C22/24	G.C. No. 47-348-32	Logic + Combi 35	G.C. No. 47-348-67
evo HE C22/30	G.C. No. 47-348-33	Logic Heat 12	G.C. No. 47-399-99
evo HE C22/35	G.C. No. 47-348-34	Logic Heat 15	G.C. No. 47-409-93
evo HE H12	G.C. No. 41-397-96	Logic Heat 18	G.C. No. 47-409-94
evo HE H16	G.C. No. 41-397-86	Logic Heat 24	G.C. No. 47-409-95
evo HE H 19	G.C. No. 41-397-93	Logic Heat 30	G.C. No. 47-409-96
evo HE H22	G.C. No. 41-397-94	Logic + Heat 12	G.C. No. 47-409-97
Esprit HE24	G.C. No. 47-348-46	Logic + Heat 15	G.C. No. 47-409-98
Esprit HE30	G.C. No. 47-348-47	Logic + Heat 18	G.C. No. 47-409-99
Esprit HE35	G.C. No. 47-348-48	Logic + Heat 24	G.C. No. 47-750-21
icos HE12	G.C. No. 41-397-95	Logic + Heat 30	G.C. No. 47-750-22
icos HE15	G.C. No. 41-397-83	Logic System 15.....	G.C. No. 41-750-24
icos HE18	G.C. No. 41-397-84	Logic System 18.....	G.C. No. 41-750-25
icos HE24	G.C. No. 41-397-85	Logic System 24.....	G.C. No. 41-750-26
icos system HE15.....	G.C. No. 41-421-99	Logic System 30.....	G.C. No. 41-750-27
icos system HE24.....	G.C. No. 41-397-82	Logic + System 15.....	G.C. No. 41-750-29
isar HE24.....	G.C. No. 47-348-31	Logic + System 18.....	G.C. No. 41-750-30
isar HE30.....	G.C. No. 47-348-30	Logic + System 24.....	G.C. No. 41-750-31
isar HE35.....	G.C. No. 47-348-29	Logic + System 30.....	G.C. No. 41-750-32
isar HE24 + Programmer.....	G.C. No. 47-348-43	Logic Code Combi 26.....	G.C. No. 47-348-74
isar HE30 + Programmer.....	G.C. No. 47-348-44	Logic Code Combi 33.....	G.C. No. 47-348-75
isar HE35 + Programmer.....	G.C. No. 47-348-45	Logic Code Combi 38.....	G.C. No. 47-348-76
istor HE260.....	G.C. No. 41-394-13	i-mini 24.....	G.C. No. 47-348-77
istor HE325.....	G.C. No. 41-394-14	i-mini 30.....	G.C. No. 47-348-78

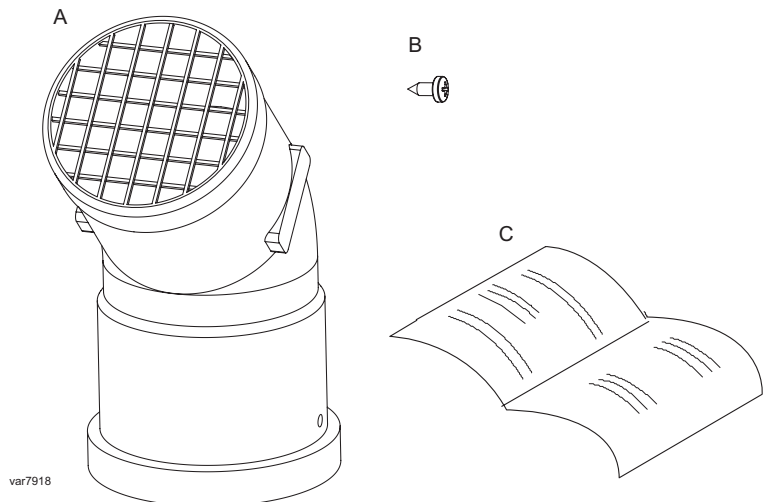
These instructions must be read in conjunction with the Installation and Servicing Instructions supplied with the boiler.

This kit allows the boiler flue outlet to be angled to the left or to the right only in order to deflect the flue product exit from the boiler flue terminal.

1 UNPACKING

Unpack the kit and check the contents.

- A. 45° Deflector elbow - 1 off
- B. Self tapping screw - 1 off
- C. These Installation Instructions - 1 off



2 FLUE DEFLECTOR FITTING

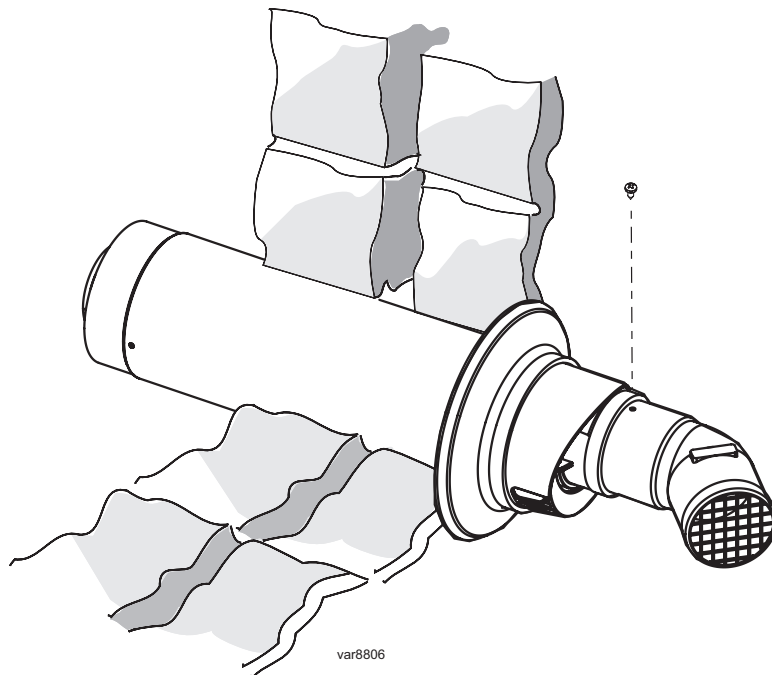
The flue deflector elbow can be fitted to the flue outlet of the standard terminal pack 'B' to deflect the flue products to the left or the right only.

1. Refer to the boiler Installation and Servicing Instructions for fitting of the boiler and its flue system.

Note. *The resistance of the deflector is equivalent to 1 metre of flue length. Ensure this is used when calculating the maximum allowable flue length.*

2. Choose the direction required to deflect the flue products (left or right only).
3. Push the deflector elbow onto the angled flue outlet of the terminal in the desired position and ensure the deflector is pushed up to the shoulder to fully engage the rubber seal. Drill the terminal through the hole in the deflector with a 3.2mm (1/8") drill and secure the deflector with the self tapping screw provided.

Note: *Only use water as a lubricant during assembly. Do not use mineral based oils.*



Technical Training

The Ideal Technical Training Centre offers a series of first class training courses for domestic, commercial and industrial heating installers, engineers and system specifiers. For details of courses please ring:..... 01482 498 432

Ideal Boilers, P.O. Box 103, National Ave, Kingston upon Hull, HU5 4JN. Telephone: 01482 492 251 Fax: 01482 448 858. Registration No. London 322 137.

Ideal Stelrad Group pursues a policy of continuing improvement in the design and performance of its products. The right is therefore reserved to vary specification without notice.



Ideal Stelrad Group

Ideal Installer/Technical Helpline: 01482 498663

www.idealheating.com