

# BALCONY FLUE OUTLET KIT

---

**LOGIC** Combi

**LOGIC +** Combi

**LOGIC** Heat

**LOGIC +** Heat

**LOGIC** System

**LOGIC +** System

**LOGIC** Code Combi

**i-mini**

When replacing any part on this appliance, use only spare parts that you can be assured conform to the safety and performance specification that we require. Do not use reconditioned or copy parts that have not been clearly authorised by Ideal.

## INTRODUCTION

This kit is suitable only for the domestic gas boilers listed below :

Logic Combi 24.....	G.C. No. 47-348-56	Logic Heat 15 .....	G.C. No. 41-409-93
Logic Combi 30.....	G.C. No. 47-348-57	Logic Heat 18 .....	G.C. No. 41-409-94
Logic Combi 35.....	G.C. No. 47-348-58	Logic Heat 24 .....	G.C. No. 41-409-95
Logic + Combi 24.....	G.C. No. 47-348-65	Logic Heat 30 .....	G.C. No. 41-409-96
Logic + Combi 30.....	G.C. No. 47-348-66	Logic + Heat 12 .....	G.C. No. 41-409-97
Logic + Combi 35.....	G.C. No. 47-348-67	Logic + Heat 15 .....	G.C. No. 41-409-98
Logic System 15 .....	G.C. No. 41-750-24	Logic + Heat 18 .....	G.C. No. 41-409-99
Logic System 18 .....	G.C. No. 41-750-25	Logic + Heat 24 .....	G.C. No. 41-750-21
Logic System 24 .....	G.C. No. 41-750-26	Logic + Heat 30 .....	G.C. No. 41-750-22
Logic System 30 .....	G.C. No. 41-750-27	Logic Code Combi 26.....	G.C. No. 47-348-74
Logic + System 15 .....	G.C. No. 41-750-29	Logic Code Combi 33.....	G.C. No. 47-348-75
Logic + System 18 .....	G.C. No. 41-750-30	Logic Code Combi 38.....	G.C. No. 47-348-76
Logic + System 24 .....	G.C. No. 41-750-31	i-mini 24 .....	G.C. No. 47-348-77
Logic + System 30 .....	G.C. No. 41-750-32	i-mini 30 .....	G.C. No. 47-348-78
Logic Heat 12 .....	G.C. No. 41-399-99		

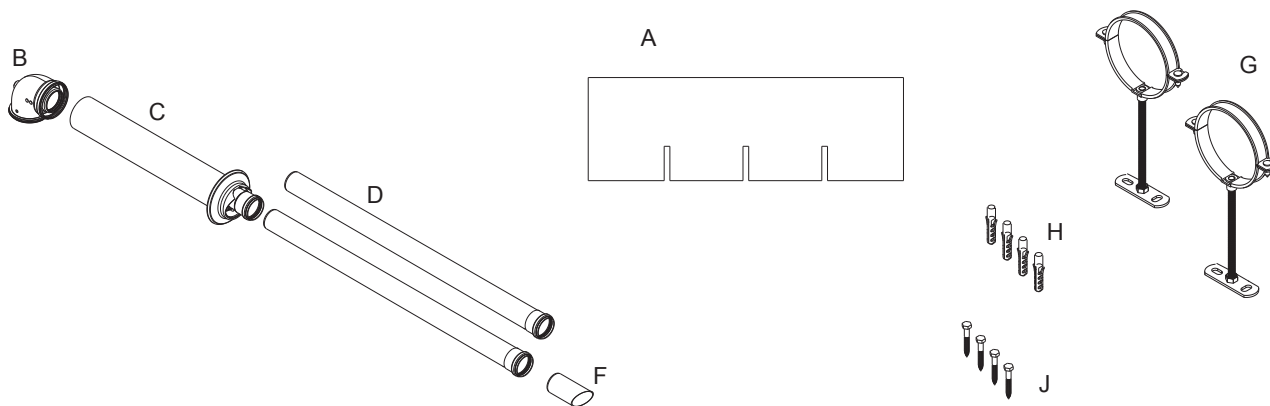
These instructions must be read in conjunction with the Installation and Servicing Instructions supplied with the boiler.

This kit allows the boiler flue outlet to be externally extended vertically or horizontally to ensure the flue product exit from the boiler is at a high level to overcome the problems associated with plume emission on balconies.

# 1 UNPACKING

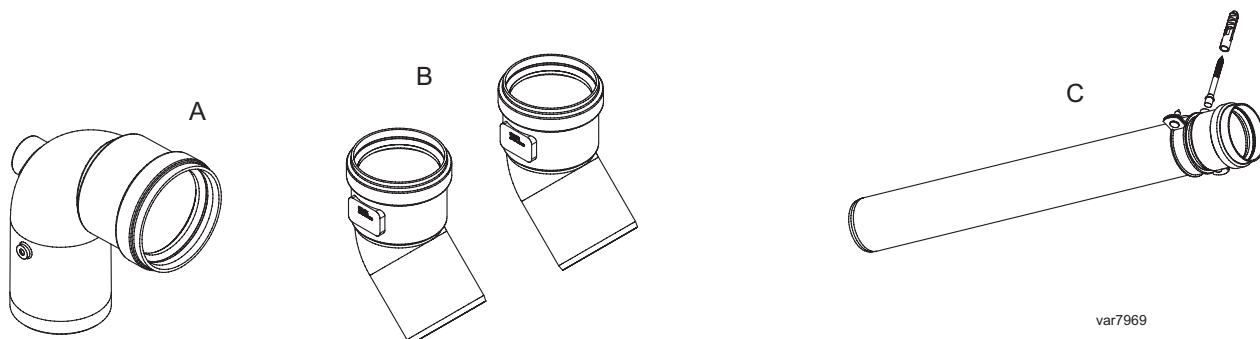
Unpack the kit and check the contents.

- A. Cutting Aid 60/100 - 1 off
- B. Boiler Flue Turret - 1 off
- C. 60/100 Flue Tube - 1 off
- D. 60mm x 1m Flue Extension - 2 off
- F. 60mm Terminal Pipe (115mm long) - 1 off
- G. Mounting Brackets - 2 off
- H. Wall Plugs - 4 off
- J. Screws - 4 off
- K. These Installation Instructions - 1 off



# 2 OPTIONAL EXTRAS (not provided with Balcony Flue Outlet Kit)

- A. 60mm 90° Elbow kit (UIN 203229) - 1 off
- B. 60mm 45° Elbow kit (UIN 203230) - 2 off
- C. 60mm x 1M Flue outlet extension pipe (UIN 203228) - 1 off



### 3 BALCONY OUTLET TERMINAL SITING

#### IMPORTANT.

For stated clearances for the flue outlet terminal in relation to openings, air inlet etc., refer to the Flue Installation section of the boiler Installation Instructions.

The minimum siting dimensions for the terminal positions, A, B, C stated can be applied when a balcony flue outlet kit is fitted.

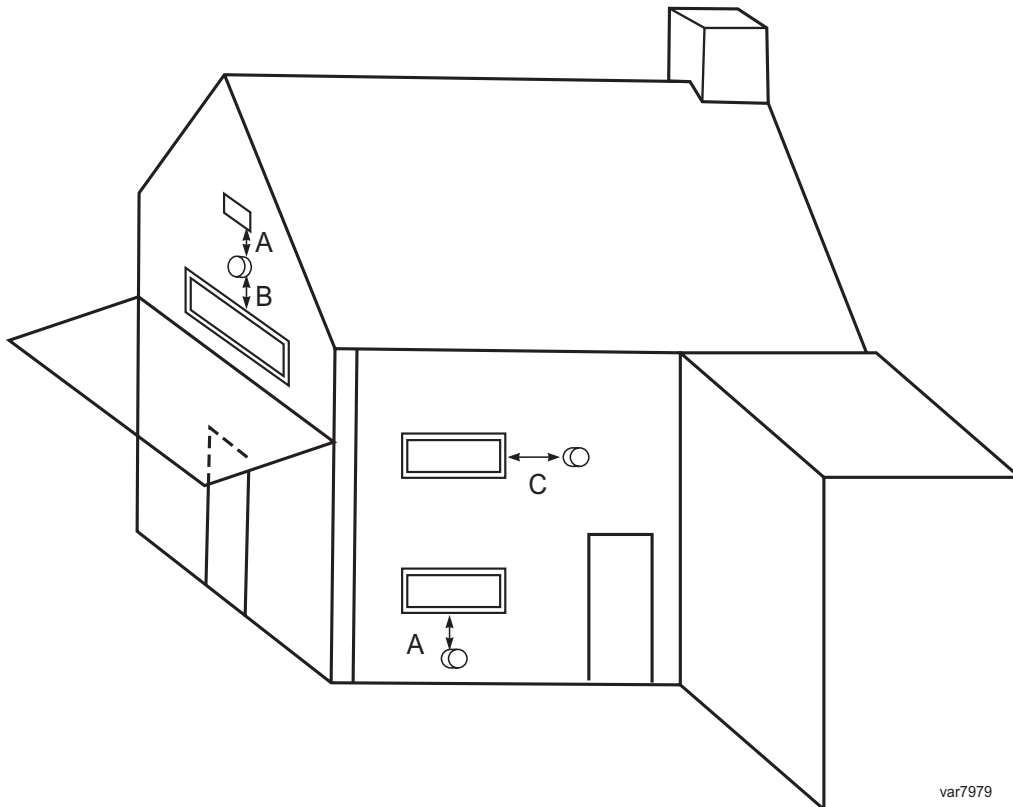
#### MINIMUM SITING DIMENSIONS FOR FANNED FLUE TERMINALS

##### Minimum Siting For Air Inlet

- A. Directly below an opening, air brick, opening windows etc. 150mm
- B. Directly above an opening, air brick, opening windows etc. 300mm
- C. Horizontally to an opening air brick, opening windows etc. 150mm

##### Minimum Siting For Flue Outlet

- A. Directly below an opening, air brick, opening windows (Horizontal Discharge). 300 mm
- B. Directly above an opening, air brick, opening windows (Horizontal Discharge). 300 mm
- C. Horizontally to an opening air brick, opening windows etc. 300 mm



#### Note.

The flue outlet termination should not be installed less than 2 metres above ground level.

For further guidance on siting requirements please consult BS 5440-1 : Table C.1 and Fig C. 2.

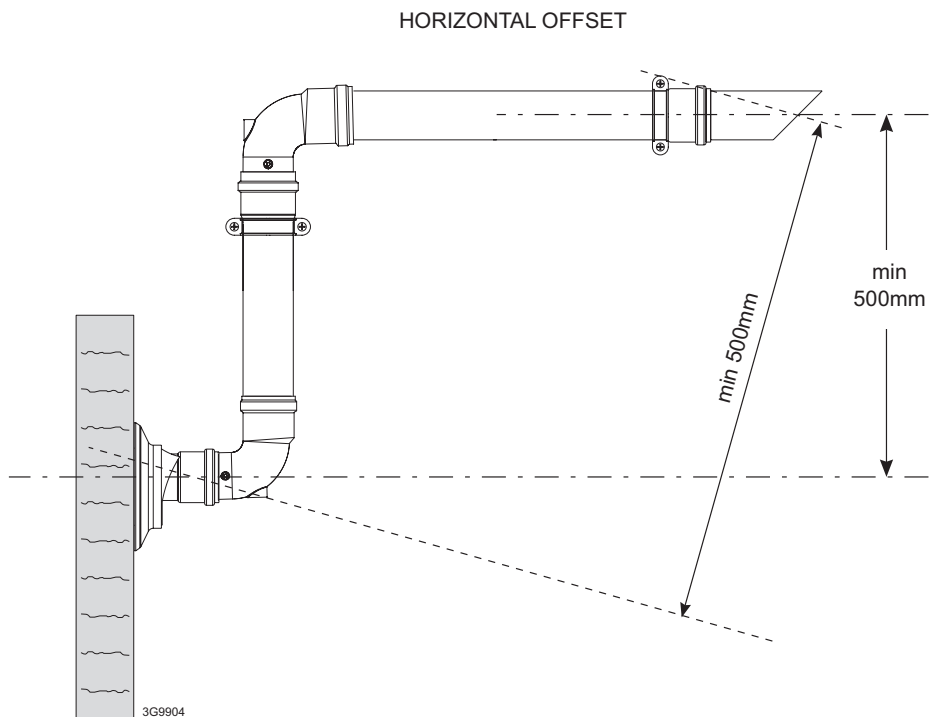
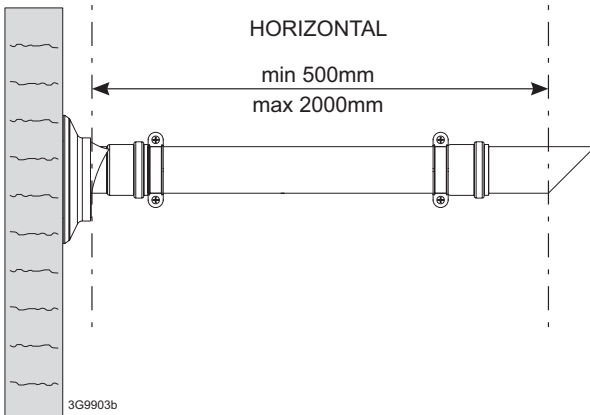
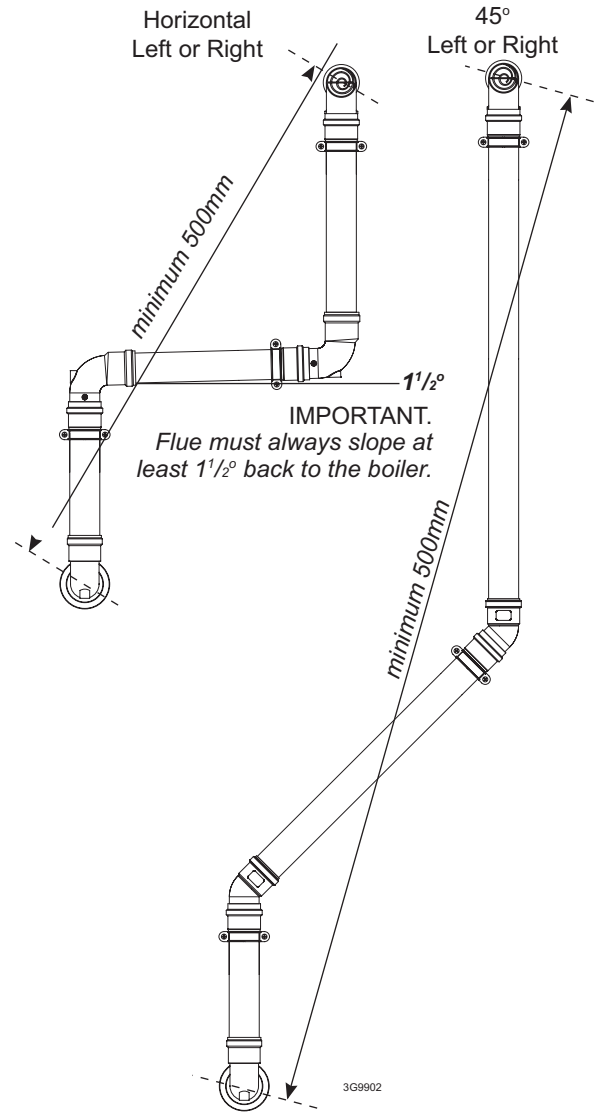
## 4 FLUING OPTIONS

Refer to Frame 5 for detail of elbow resistance and maximum allowable flue length graph.

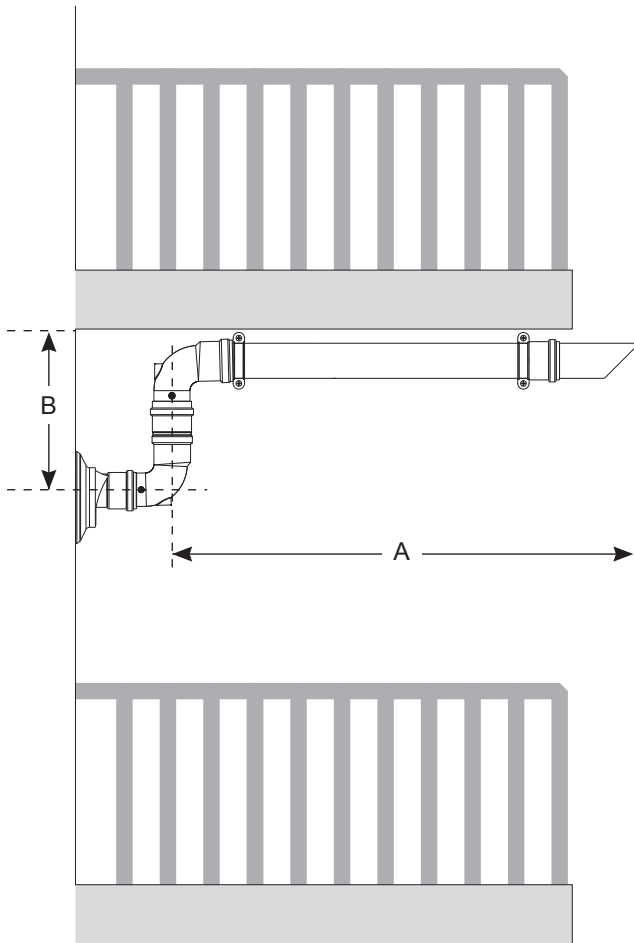
### IMPORTANT NOTES

1. The air terminal must be mounted in position shown to avoid rain ingress.
2. Flue pipe may be mounted horizontally or vertically providing the horizontal sections slope  $1\frac{1}{2}^\circ$  back to the boiler.
3. The flue and air terminals MUST be separated by a minimum of 500mm.

**Note:** Only use water as a lubricant during assembly.  
Do not use mineral based oils.



## 5 BALCONY FLUE OUTLET KIT FITTING



### Note.

The balcony 60/100 flue tube is fitted in place of the Terminal Pack 'B'.

1. Follow the boiler installation instructions for boiler, turret and flue fitting but in place of the terminal pack 'B' use the 60/100 flue tube provided in the Balcony Flue Outlet kit.
2. Using the graph opposite determine the external vertical and horizontal flue extension allowed.

### Note.

A 90° elbow (60mm dia) is equivalent to 1.4m of straight flue.

A 45° elbow (60mm dia) is equivalent to 1.25m of straight flue.

3. Push fit the required extension pipe(s) (UIN 203228), 90° elbows (UIN 203229) or 45° elbows (UIN 203230) to the height determined from the graph.
4. Fit the 60mm terminal pipe (115mm long).
5. Secure the extension pipe to the wall with the bracket provided.

### NOTES.

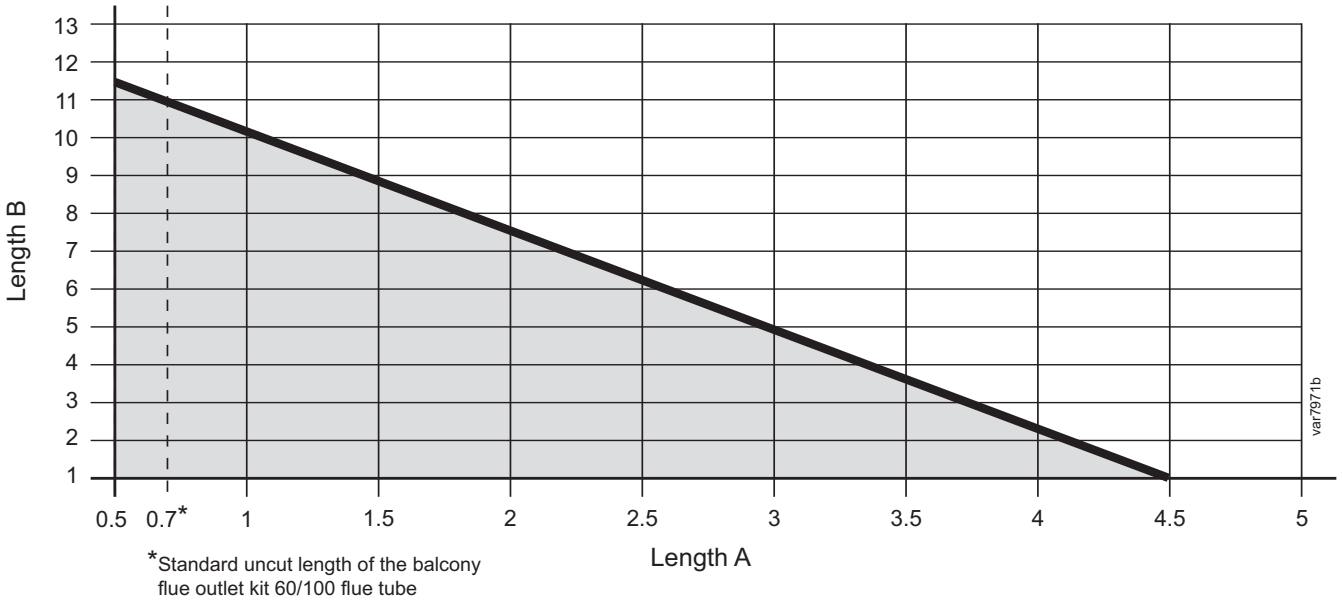
- A terminal guard is not required at the air inlet position.
- Flue length dimension B must be greater than 500mm.

continued . . . .

**5** ..... CONT'D

**Note.**

When using the balcony flue outlet kit the horizontal (A) and vertical (B) lengths quoted in the graph replaces the flue length information contained in the boiler installation instructions.



**Ideal Boilers Ltd.**, P.O. Box 103, National Ave., Kingston upon Hull, HU5 4JN. Telephone: 01482 492 251 Fax: 01482 448 858. Registration No. London 322 137.

**Ideal Stelrad Group** pursues a policy of continuing improvement in the design and performance of its products. The right is therefore reserved to vary specification without notice.



Ideal Stelrad Group

***Ideal Installer/Technical Helpline Tel: 01482 445570***

***[www.idealheating.com](http://www.idealheating.com)***