

# PRESSURE GAUGE EXTENSION KIT FITTING INSTRUCTIONS

These Instructions apply to the following boilers:

Logic Combi 24.....	G.C. No. 47-348-56	Logic System 18.....	G.C. No. 41-750-25
Logic Combi 30.....	G.C. No. 47-348-57	Logic System 24.....	G.C. No. 41-750-26
Logic Combi 35.....	G.C. No. 47-348-58	Logic System 30.....	G.C. No. 41-750-27
Logic + Combi 24.....	G.C. No. 47-348-65	Logic + System 15.....	G.C. No. 41-750-29
Logic + Combi 30.....	G.C. No. 47-348-66	Logic + System 18.....	G.C. No. 41-750-30
Logic + Combi 35.....	G.C. No. 47-348-67	Logic + System 24.....	G.C. No. 41-750-31
Logic Code Combi 26.....	G.C. No. 47-348-74	Logic + System 30.....	G.C. No. 41-750-32
Logic Code Combi 33.....	G.C. No. 47-348-75	i-mini 24.....	G.C. No. 47-348-77
Logic Code Combi 38.....	G.C. No. 47-348-76	i-mini 30.....	G.C. No. 47-348-78
Logic System 15.....	G.C. No. 41-750-24		

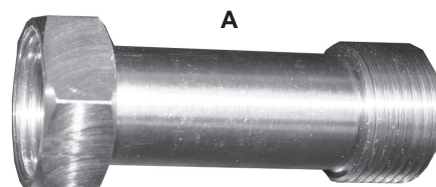
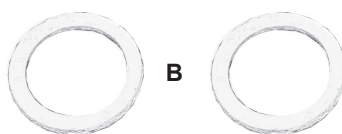
These instructions must be read in conjunction with the Installation & Servicing Instructions supplied with the boiler.

This kit provides the facility to easily view the pressure gauge reading below the casing of the boiler.

The kit can be fitted at initial installation or retro fitted to suit the customers needs.

## KIT CONTENTS

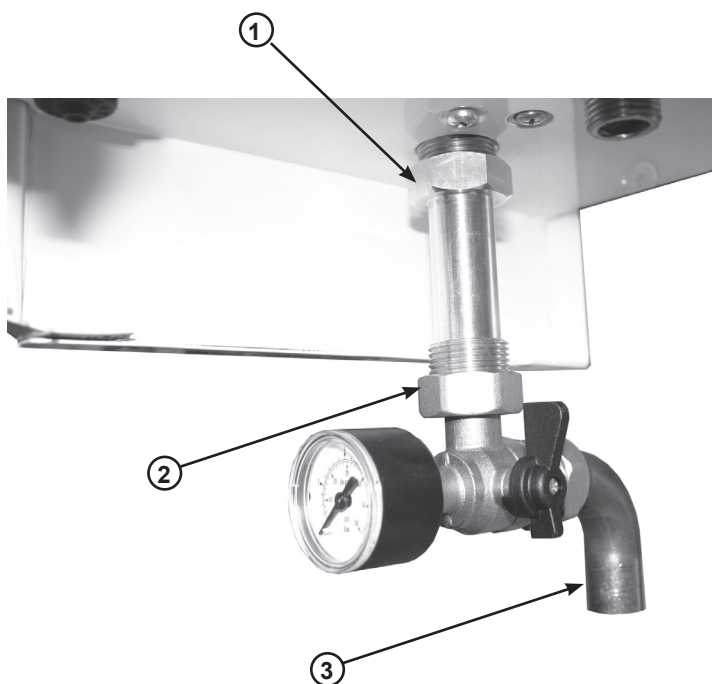
- A. Brass Extension piece x 1
- B. Fibre Sealing Washers x 2
- C. Instructions



## FITTING THE KIT - AT THE TIME OF BOILER INSTALLATION

**Note.** Ensure all boss blanking plugs are removed before connecting the hardware.

1. Fit the brass extension piece to the CH flow threaded boss connection provided at the lower left of the boiler ensuring the fibre sealing washer is fitted.
2. Connect the CH flow service valve (black handle) to the brass extension piece using the fibre sealing washer provided.
3. Fit the copper tail provided in the hardware pack to the flow service valve outlet.
4. Refer to the Boiler Installation Instructions to complete the connecting and filling procedure.



continued . . . . .

## FITTING THE KIT - RETRO FIT THE KIT AFTER BOILER HAS BEEN INSTALLED

1. Close all the CH water isolating valves on the boiler inlet.
2. Drain down the boiler (see installation instructions)
3. Disconnect the CH flow connection complete with pressure gauge and remove.
4. Fit the brass extension piece to the CH flow threaded boss connection provided at the lower left of the boiler ensuring the fibre sealing washer is fitted.
5. Connect the CH flow service valve (black handle) to the brass extension piece using the fibre sealing washer provided.
6. Revise the flow pipe to connect to the copper elbow outlet from the newly repositioned boiler flow connection.
7. After fitting the pressure gauge extension kit, refer to installation instructions for re-filling, re-pressurising and venting the boiler.
8. Check the operation of the boiler (refer to installation instructions).

