

evo HE

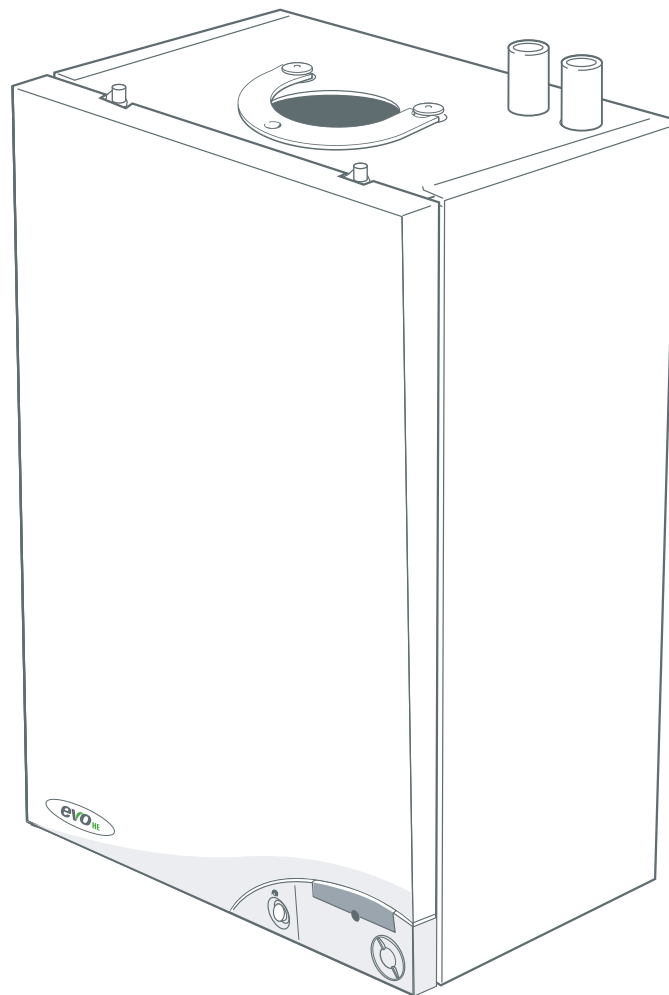
Advanced High Efficiency Boilers

H12, H16, H19, H22 (V3 Flue System)

Wall mounted, balanced flue, fanned gas boiler



Packaged Boiler Contents have been checked by Operator Number.....



For details of document amendments, refer to page 3

October 2009

UIN 203323 A05

Installation & Servicing Instructions

See reverse for **evo HE** Users Guide

Manufactured exclusively for Wolseley Centers Ltd. by Ideal Boilers

DOCUMENT AMENDMENTS

Relevant Installation changes implemented in this book from Mod LevelA04 (Apr 08) to A05 (Oct 09)

Page 4, Table 2 - Performance Data

- New SEDBUK figure for H12 boiler.

Page 7, Optional Extra Kits

- Addition of Concentric flue Screw Retaining Kit & Adjustable Flue Support Bracket

Page 16, Frame 12 - Determining the Flue Lengths and Packs Required

- New flue kit added.
- Notes - Item 4 added.
- Note added at bottom of page ref. support bracket

Page 18, Frame 18 - Terminal Wall Seal Assembly / Position

- New frame added ref. positioning of terminal wall seal

Page 19, Frame 21 - Flue Extension Ducts

- Item no. 3 added.

Page 20, Frame 24 - Condensate Pipe Termination Configurations

- Update drawing 1 and note added ref BS6798

Page 29, Frame 37 - Pictorial Wiring Diagram

- Updated drawing showing removal of bracket from spark generator

Page 42, Frame 65 - Combustion Chamber Insulation Replacement

- Updated Frame to reflect new insulation.

Page 48, Frame 76 - H9/L9 Heat Exchanger Overheat

- New flow chart.

Page 49 - Short Parts List

- New updated parts list

Page 52 - Code of Practice

- New Code of Practice Guidelines added.

GENERAL

Table 1 - Boiler Data

Boiler Size	H12, H16, H19, H22	
Gas supply type and connection	2H-G20-20 mbar Rc ^{1/2} (1/2" BSP Female)	
Injector size	Stereomatic 5.6mm dia. (HE 12 5.8mm dia).	
Flow connection	22mm copper	
Return connection	22mm copper	
Flue terminal diameter	mm (in.)	100 (4)
Maximum static water head	m (ft.)	30.5 (100)
Minimum static water head	m (ft.)	0.45 (1.5)
Electrical supply	230 V ~ 50 Hz	
Boiler power consumption	38W	
Fuse rating	External: 3A Internal: T3.15A L250 V	
Water content	litre (gal.)	1.7 (0.37)
Packaged weight	kg (lb.)	38 (84)
Maximum installation weight	kg (lb.)	31 (68)
Boiler size	Height	mm (in.)
	Width	mm (in.)
	Depth	mm (in.)
		582 (23)
		390 (15)
		278 (11)

Table 2 - Performance Data

Boiler Size			H12 Max	H16 Max	H19 Max	H22 Max	H12 min	H16-22 Min
Boiler input 'Q' =	Nett CV	kW	12.2	16.4	19.5	22.6	9.8	9.1
		Btu/h	41,600	56,000	66,500	77,100	33,400	31,000
	Gross CV	kW	13.5	18.2	21.6	25.1	10.9	10.1
		Btu/h	46,000	62,100	73,800	85,600	37,200	34,400
	Gas consumption	l/s (cu.ft/h)	0.35 (44.2)	0.47 (59.9)	0.56 (71.1)	0.65 (82.5)	0.28 (35.6)	0.26 (33.3)
Boiler output 'P' =	70 °C Mean water temperature	kW	12.0	16.1	19.0	22.0	9.3	8.8
		Btu/h	40,900	55,000	65,000	75,000	31,800	30,000
	40 °C Mean water temperature	kW	12.7	16.8	20.0	23.3	10.5	9.6
		Btu/h	43,300	57,400	68,300	79,500	35,900	32,800
Seasonal efficiency (SEDBUK) *		Band A	[90.3]%	[90.4]%	[90.3]%	[90.2]%		
NOx classification			Class 5					

* The value is used in the UK Government's Standard Assessment Procedure (SAP) for energy rating of dwellings. The test data from which it has been calculated have been certified by a notified body.

Note.

Gas consumption is calculated using a calorific value of 38.7 MJ/m³ (1038 Btu/ft³) gross or 34.9 MJ/m³ (935 Btu/ft³) nett. To obtain the gas consumption at a different calorific value:-

- a. For l/s - divide the gross heat input (kW) by the gross C.V. of the gas (MJ/m³)
- b. For ft³/h - divide the gross heat input (Btu/h) by the gross C.V. of the gas (Btu/ft³)

Key to symbols

GB = United Kingdom **IE** = Ireland (Countries of destination)

PMS = Maximum operating pressure of water

C₁₃ C₃₃ C₅₃ = A room sealed appliance designed for connection via ducts to a horizontal or vertical terminal which admits fresh air to the burner and discharges the products of combustion to the outside through orifices which, in this case, are concentric. The fan is up stream of the combustion chamber.

I_{2H} = An appliance designed for use on 2nd Family gas, Group H only.

CAUTION. To avoid the possibility of injury during the installation, servicing or cleaning of this appliance, care should be taken when handling edges of sheet steel components.

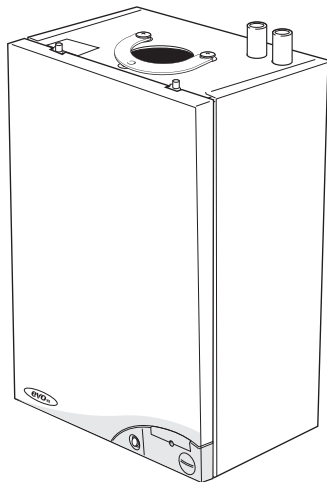
GENERAL

evo HE

Natural Gas only

Boiler size	G.C. Appliance No. (Benchmark No.)	PI No.
H12	41 397 96	87 BP 34
H16	41 397 86	87 BP 34
H19	41 397 93	87 BP 34
H22	41 397 94	87 BP 34

Destination Countries: GB, IE



CONTENTS

Air Supply	9
Benchmark Commissioning Checklist	58
Boiler Clearances	6
Boiler Exploded Diagram	14
Electrical Connections	29
Electrical Supply	9
Electrical Systems Diagrams	31
Extension Ducts - Fitting	21
Fault Finding	47
Flow Wiring Diagram	31
Flue Fitting	17-21
Flue Installation Requirements	8
Gas Safety Regulations	7
Gas Supply	8
Initial Lighting	33
Installation	14-34
Mandatory Requirements	7
Safe Handling	7
Servicing	35-46
Short List of Parts	51
Terminal Guards	9
Thermostatic Radiator valves	9
Water and Systems	10-13
Water Connections	29
Water Treatment	13
Wiring Diagrams	31

For GB, to comply with Building Regulations Part L1 (Part 6 in Scotland) the boiler should be fitted in accordance with the manufacturer's instructions. Self-certification that the boiler has been installed to comply with Building Regulations can be demonstrated by completing and signing the Benchmark Commissioning Checklist.

Before installing this boiler, read the Code of Practice Sheet at the rear of this book.

BENCHMARK COMMISSIONING CHECKLIST DETAILS

Boiler	Page	Boiler	Page
Make and model	5	Burner operating pressure	n/a
Appliance serial no. on data badge	Front Cover	Central heating flow temp.	measure and record
SEDBUK No. %	4	Central heating return temp. ...	measure and record
Controls		For combination boilers only	
Time and temperature control to heating	32	Scale reducer	n/a
Time and temperature control to hot water	32	<i>Hot water mode</i>	
Heating zone valves	n/a	Heat input	n/a
TRV's	9	Max. operating burner pressure	n/a
Auto bypass	9	Max. operating water pressure	n/a
Boiler interlock	9	Cold water inlet temp	n/a
For all boilers		Hot water outlet temp.	n/a
Flushing to BS.7593	13	Water flow rate at max. setting	n/a
Inhibitor	13	For condensing boilers only	
<i>Central heating mode</i>		Condensate drain	22
Heat input	to be calculated	For all boilers: complete, sign & hand over to customer	
		For assistance see Technical Helpline on the back page	

NOTE TO THE INSTALLER: COMPLETE THE BENCHMARK COMMISSIONING CHECKLIST AND LEAVE THESE INSTRUCTIONS WITH APPLIANCE



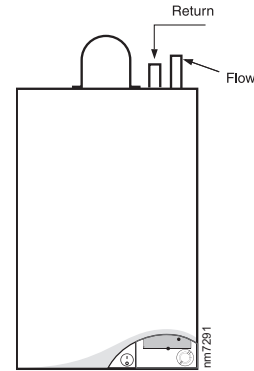
GENERAL

1 BOILER WATER CONNECTIONS

The boiler flow and return pipes are supplied fitted to the boiler ready for top connection

Notes.

- a. For the heating loads in excess of 60,000 Btu/h, 28mm (1") flow and return pipes should be used to and from the boiler.
- b. This appliance is NOT suitable for use with a direct hot water cylinder.



2 BOILER CLEARANCES all dimensions in mm (in.)

The following minimum clearances must be maintained for operation and servicing.

Additional space will be required for installation, depending upon site conditions.

Side and Rear Flue

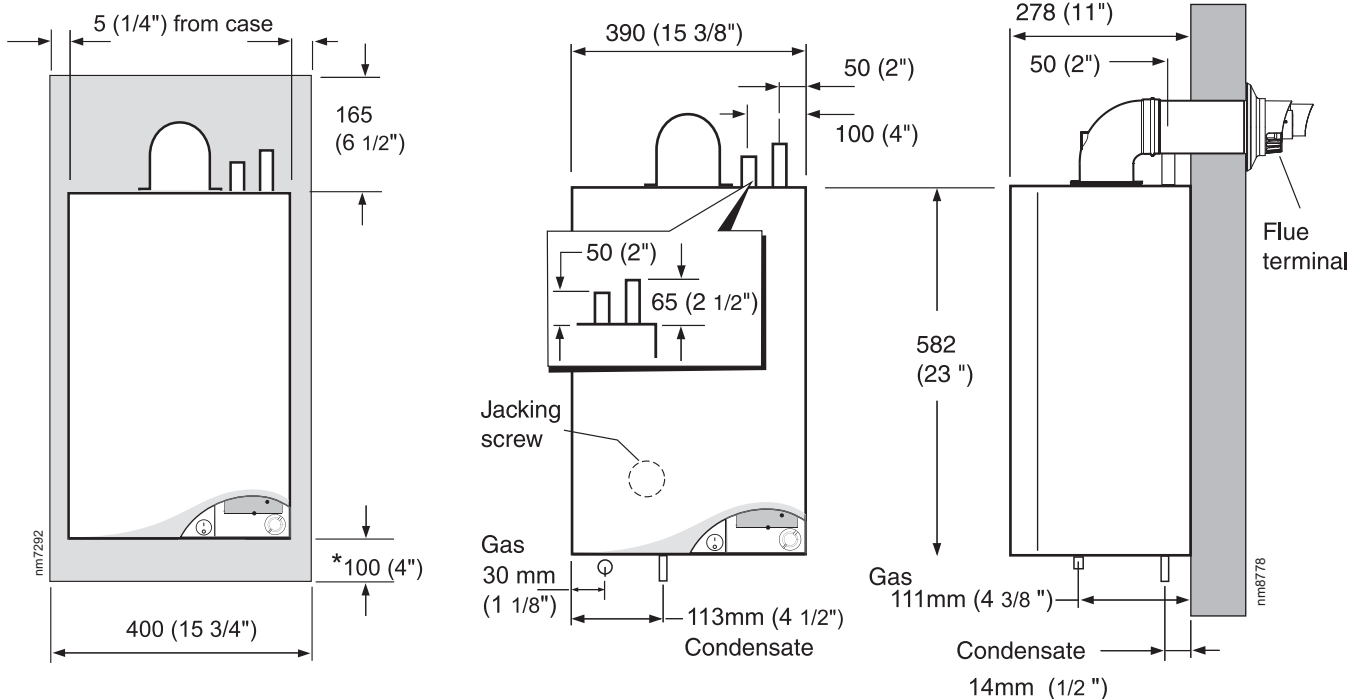
- a. Provided that the flue hole is cut accurately, e.g. with a core drill, the flue can be installed from inside the building where wall thicknesses do not exceed 600mm (24"). Where the space into which the boiler is going to be installed is less than the length of flue required the flue must be fitted from the outside.

Installation from inside ONLY

- b. If a core boring tool is to be used inside the building the space in which the boiler is to be installed must be at least wide enough to accommodate the tool.

SIDE FLUE ONLY	
Horizontal length of flue from centre line of boiler to outside wall	Top clearance required (MIN.) Dim. A
0.5 m	160 mm (6 5/16")
1.0 m	170 mm (6 11/16)
1.5 m	185 mm (7 1/4")
2.0 m	200 mm (7 7/8")
2.5 m	210 mm (8 1/4")
3.0 m	225 mm (8 7/8")
3.5 m	235 mm (9 1/4")
4.0 m	250 mm (10 7/8")
4.5 m	260 mm (10 1/4")
5.0 m	275 mm (10 13/16")
5.5 m	290 mm (11 3/8")
6.0 m	300 mm (11 13/16")

REAR FLUE ONLY
MIN. Top clearance required = 145 mm (5 3/4")



Front clearance

The minimum front clearance when built in to a cupboard is 5mm (1/4") from the cupboard door but 450mm (17 3/4") overall clearance is still required, with the cupboard door open, to allow for servicing.

*** Bottom clearance**

after installation can be reduced to 5mm in an adequately ventilated enclosed cupboard. However, 100mm must be available for servicing.

INTRODUCTION

The **evo HE** range of boilers are a fully automatically controlled, wall mounted, low water content, balanced flue, fanned, condensing gas boiler. It has full modulating central heating outputs of :

H12 9.3 kW (32,000 Btu/h) to 12 kW (41,000 Btu/h).

H16 8.8 kW (30,000 Btu/h) to 16.1 kW (55,000 Btu/h).

H19 8.8 kW (30,000 Btu/h) to 19.0 kW (65,000 Btu/h).

H22 8.8 kW (30,000 Btu/h) to 22.0 kW (75,000 Btu/h).

Due to the high efficiency of the boiler a plume of water vapour will form at the flue terminal during operation depending on external conditions.

The boiler casing is of white painted mild steel with the user controls capable of being mounted remotely from the boiler, if the option is required.

The heat exchanger is of cast aluminium.

Note.

These boilers cannot be used on systems which include gravity circulation.

The boilers are suitable for connection to fully pumped, open vented or sealed water systems. Adequate arrangements for completely draining the system by provision of drain cocks **MUST** be provided in the installation pipework.

SAFE HANDLING

This boiler may require 2 or more operatives to move it to its installation site, remove it from its packaging base and during movement into its installation location. Manoeuvring the boiler may include the use of a sack truck and involve lifting, pushing and pulling.

Caution should be exercised during these operations.

Operatives should be knowledgeable in handling techniques when performing these tasks and the following precautions should be considered:

- Grip the boiler at the base.
- Be physically capable.
- Use PPE as appropriate, e.g. gloves, safety footwear.

During all manoeuvres and handling actions, every attempt should be made to ensure the following unless unavoidable and/or the weight is light.

- Keep back straight.
- Avoid twisting at the waist.
- Avoid upper body/top heavy bending.
- Always grip with the palm of the hand.
- Use designated hand holds.
- Keep load as close to the body as possible.
- Always use assistance if required.

OPERATION

When there is a demand for heat, the heating system is supplied at the selected temperature of between 30°C and 82°C.

The boiler features a comprehensive diagnostic system which gives detailed information on the boiler status when operating, and performance of key components to aid commissioning and fault finding.

OPTIONAL EXTRA KITS

- **Flue Extension Ducts** (1000mm long up to 6m)
- **Flue Finishing Kit**
- **90° Elbow Kit** (maximum 4 elbows per installation).
- **45° Elbow Kit** (maximum 4 elbows per installation).
- **Concentric Flue Screw Retaining Kit**

- **Roof Flue Kit** (to a maximum of 7.5m)
- **Powered Vertical Flue Kit** 5m primary and 17m secondary is a typical maximum length. For alternative maximum lengths refer to Powered Vertical Instructions.
- **High Level Flue Outlet Kits**
- **Flue Deflector Kit**
- **Weather Collar**
- **Horizontal Flue Terminal 600mm long.**
- **Remote User Control Kit**
- **Boiler Stand-off Kit**
- **Siphon Kit**
- **Condensate Pump Kit**
- **Adjustable Flue Support Bracket**

SAFETY

Current Gas Safety (Installation and Use) Regulations or rules in force.

The appliance is suitable only for installation in GB and IE and should be installed in accordance with the rules in force.

In GB, the installation must be carried out by a Gas Safe Registered Engineer. It must be carried out in accordance with the relevant requirements of the:

- Gas Safety (Installation and Use) Regulations
- The appropriate Building Regulations either The Building Regulations, The Building Regulations (Scotland), Building Regulations (northern Ireland).
- The Water Fittings Regulations or Water byelaws in Scotland.
- The Current I.E.E. Wiring Regulations.

Where no specific instructions are given, reference should be made to the relevant British Standard Code of Practice.

In IE, the installation must be carried out by a Registered Gas Installer (RGI) and installed in accordance with the current edition of I.S.813 "Domestic Gas Installations", the current Building Regulations and reference should be made to the current ETCI rules for electrical installation.

Detailed recommendations are contained in the following British Standard Codes of Practice:

- BS. 5440:1** Flues (for gas appliances of rated input not exceeding 70 kW).
- BS. 5440:2** Ventilation (for gas appliances of rated input not exceeding 70 kW).
- BS. 5449** Forced circulation hot water systems.
- BS. 5546** Installation of gas hot water supplies for domestic purposes (2nd Family Gases).
- BS. 6798** Installation of gas fired hot water boilers of rated input not exceeding 60 kW.
- BS. 6891** Low pressure installation pipes.

Health & Safety Document No. 635

The Electricity at Work Regulations, 1989.

The manufacturer's notes must NOT be taken, in any way, as overriding statutory obligations.

IMPORTANT. These appliances are CE certificated for safety and performance. It is, therefore, important that no external control devices, e.g. flue dampers, economisers etc., are directly connected to these appliances unless covered by these Installation and Servicing Instructions or as otherwise recommended by **Wolseley Centers Ltd.** in writing. If in doubt please enquire.

Any direct connection of a control device not approved by **Wolseley Centers Ltd.** may invalidate the certification and the normal appliance warranty. It could also infringe the Gas Safety Regulations and the above regulations.

GENERAL

SAFE HANDLING OF SUBSTANCES

Care should be taken when handling the boiler insulation panels, which can cause irritation to the skin. No asbestos, mercury or CFCs are included in any part of the boiler or its manufacture.

LOCATION OF BOILER

The boiler must be installed on a flat and vertical wall, capable of adequately supporting the weight of the boiler and any ancillary equipment.

The boiler may be fitted on a combustible wall and insulation between the wall and the boiler is not necessary, unless required by the local authority.

For electrical safety reasons there must be no access from the back of the boiler.

The boiler must not be fitted outside.

Timber Framed Buildings

If the boiler is to be fitted in a timber framed building it should be fitted in accordance with the Institute of Gas Engineering document IGE/UP/7:1998.

Bathroom Installations

This appliance is rated **IP20**.

The boiler may be installed in any room or internal space, although particular attention is drawn to the requirements of the current IEE (BS.7671) Wiring Regulations and, in Scotland, the electrical provisions of the building regulations applicable in Scotland, with respect to the installation of the boiler in a room or internal space containing a bath or shower. For Ireland reference should be made to the current ETCL rules for electrical installations and I.S.813:2002.

If the appliance is to be installed in a room containing a bath or shower then, providing water jets are not going to be used for cleaning purposes (as in communal baths/showers), the appliance must be installed in Zone 2, as detailed in BS.7671.

Compartment Installations

A compartment used to enclose the boiler should be designed and constructed specially for this purpose.

An existing cupboard or compartment may be used, provided that it is modified for the purpose.

In both cases details of essential features of cupboard / compartment design, including airing cupboard installation, are to conform to the following:

- BS. 6798. (No cupboard ventilation is required - see "Air Supply" for details).
- The position selected for installation MUST allow adequate space for servicing in front of the boiler.
- For the minimum clearances required for safety and subsequent service see the wall mounting template and Frame 2. In addition, sufficient space may be required to allow lifting access to the wall mounting plate.

GAS SUPPLY

The local gas supplier should be consulted, at the installation planning stage, in order to establish the availability of an adequate supply of gas. An existing service pipe must NOT be used without prior consultation with the local gas supplier. The boiler MUST be installed on a gas supply with a governed meter only.

A gas meter can only be connected by the local gas supplier or by a Gas Safe Registered Engineer. In IE by a Registered Gas Installer (RGI).

An existing meter should be checked, preferably by the gas supplier, to ensure that the meter is adequate to deal with the rate of gas supply required.

It is the responsibility of the Gas Installer to size the gas installation pipework in accordance with BS6891:2005. Whilst the principle of the 1:1 gas valve ensures the evo H range is

able to deliver its full output at inlet pressures as low as 14mb, other gas appliances in the property may not be as tolerant. When operating pressures are found to be below the minimum meter outlet of 19mb these should be checked to ensure this is adequate for correct and safe operation.

Allowing for the acceptable pressure loss of 1mb across the installation pipework, it can be assumed that a minimum permitted operating pressure of 18mb will be delivered to the inlet of the appliance. (Reference BS 6400-1 Clause 6.2 Pressure Absorption).

The integral appliance isolation valve and boiler pipework could further reduce the operating pressure by up to 1.5mb when measured at the inlet test point on the appliance gas valve. Therefore it has been identified that an operating pressure as low as 16.5mbar could be measured at the appliance inlet pressure test point on the gas valve.

IMPORTANT.

Installation pipes MUST be fitted in accordance with BS. 6891. In IE refer to I.S.813:2002. Pipework from the meter to the boiler MUST be of an adequate size.

The complete installation MUST be tested for gas tightness and purged as described in the above code.

FLUE INSTALLATION

Plumbing will occur at the terminal so terminal positions which would cause a nuisance should be avoided.

The flue must be installed in accordance with the recommendations of BS.5440-1:2000. In IE refer to I.S.813:2002. The following notes are intended for general guidance.

1. The boiler MUST be installed so that the terminal is exposed to external air.
2. It is important that the position of the terminal allows the free passage of air across it at all times.
3. Minimum acceptable spacing from the terminal to obstructions and ventilation openings are specified in Table 3.

Table 3 - Balanced Flue Terminal Position

Flue Terminal Positions	Min. Spacing*
1. Directly below, above or alongside an opening window, air vent or other ventilation opening.	300mm (12")
2. Below guttering, drain pipes or soil pipes. <i>BS5440-1 2000</i>	25mm (1")* 75mm (3")
3. Below eaves. <i>BS5440-1 2000</i>	25mm (1")* 200mm (8")
4. Below balconies or a car port roof. <i>BS5440-1 2000</i>	25mm (1")* 200mm (8")
5. From vertical drain pipes or soil pipes. <i>BS5440-1 2000</i>	25mm (1")* 150mm (6")
6. From an internal or external corner or to a boundary along side the terminal. <i>BS5440-1 2000</i>	25mm (1")* 300mm (12")
7. Above adjacent ground, roof or balcony level.	300mm (12")
8. From a surface or a boundary facing the terminal.	600mm (24")
9. From a terminal facing a terminal.	1,200mm (48")
10. From an opening in a car port (e.g. door or window) into dwelling.	1,200mm (48")
11. Vertically from a terminal on the same wall.	1,500mm (60")
12. Horizontally from a terminal on the wall.	300mm (12")
Vertical Terminals	
13. Above the roof pitch with roof slope of all angles. Above flat roof.	300mm (12") 300mm (12")
14. From a single wall face. From corner walls.	300mm (12") 300mm (12")

* Only one reduction down to 25mm is allowable per installation otherwise BS5440-1 2000 dimensions must be followed.

GENERAL

- Where the lowest part of the terminal is fitted less than 2m (6'6") above a balcony, above ground or above a flat roof to which people have access, then the terminal MUST be protected by a purpose designed guard.

Ensure that the guard is fitted centrally.

Terminal guards are available from boiler suppliers. Ask for TFC Flue Guard Model No. K6 (round plastic-coated). In case of difficulty contact:

Grasslin (UK) Ltd. Tel. +44(0) 01732 359 888
Tower House, Vale Rise Fax. +44(0) 01732 354 445
Tonbridge, Kent TN9 1TB www.fgc.ukco.com

- The flue assembly shall be so placed or shielded as to prevent ignition or damage to any part of any building.
- The air inlet/products outlet duct and the terminal of the boiler MUST NOT be closer than 25mm (1") to combustible material. Detailed recommendations on the protection of combustible material are given in BS.5440-1:2000. In IE refer to I.S.813:2002.

IMPORTANT.

It is absolutely ESSENTIAL to ensure, in practice, that products of combustion discharging from the terminal cannot re-enter the building or any other adjacent building through ventilators, windows, doors, other sources of natural air infiltration, or forced ventilation / air conditioning.

If this should occur the appliance MUST be turned OFF, labelled as 'unsafe' until corrective action can be taken.

TERMINAL

The terminal assembly can be adapted to accommodate various wall thicknesses. Refer to Frame 14.

AIR SUPPLY

It is NOT necessary to have a purpose-provided air vent in the room or internal space in which the boiler is installed. Neither is it necessary to ventilate a cupboard or compartment in which the boiler is installed, due to the low surface temperatures of the boiler casing during operation; therefore the requirements of BS 6798, Clause 12, and BS 5440:2 may be disregarded. In IE the requirements of I.S.813:2002 may be disregarded.

WATER CIRCULATION SYSTEM

IMPORTANT.

A minimum length of 1 metre of copper pipe MUST be fitted to both flow and return connections from the boiler before connection to any plastic piping.

For the types of system and correct piping procedure see Frames 1, and 3 to 8.

The central heating system should be in accordance with BS.6798 and, in addition, for smallbore and microbore systems, BS.5449.

WATER TREATMENT - see Frame 9

The hot water storage cylinder MUST be of the indirect type and should preferably be manufactured of copper.

Single feed, indirect cylinders are not recommended and MUST NOT be used on sealed systems.

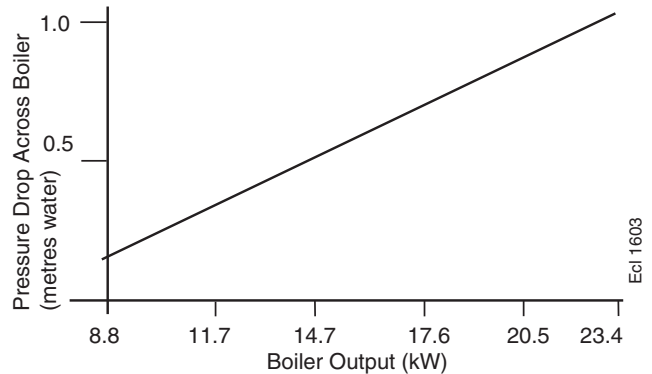
The appliances are NOT suitable for gravity central heating nor are they suitable for the provision of gravity domestic hot water.

The hot water cylinder and ancillary pipework, not forming part of the useful heating surface, should be lagged to prevent heat loss and any possible freezing - particularly where pipes run through roof spaces and ventilated underfloor spaces.

The boiler must be vented.

The hydraulic resistance of the boilers, at MAXIMUM OUTPUT, with an 11 °C (20 °F) temperature differential, is shown in Graph 1.

Graph 1 - Water flow rate and pressure loss



BOILER CONTROL INTERLOCKS

Wolseley Centers Ltd. recommend that heating systems utilising full thermostatic radiator valve control of temperature in individual rooms should also be fitted with a room thermostat controlling the temperature in a space served by radiators not fitted with such a valve as stated in BS. 5449.

Central heating systems controls should be installed to ensure the boiler is switched off when there is no demand for heating or hot water.

When thermostatic radiator valves are used, the space heating temperature control over a living / dining area or hallway having a heating requirement of at least 10% of the boiler heat output should be achieved using a room thermostat, whilst other rooms are individually controlled by thermostatic radiator valves. However, if the system employs thermostatic radiator valves on all radiators, or two port valves without end switches, then a bypass circuit must be fitted with an automatic bypass valve to ensure a flow of water should all valves be in the closed position.

ELECTRICAL SUPPLY

WARNING.

This appliance must be earthed.

Wiring external to the appliance MUST be in accordance with the current I.E.E. (BS.7671) Wiring Regulations and any local regulations which apply. For Ireland reference should be made to the current ETCI rules for electrical installations.

The point of connection to the mains should be readily accessible and adjacent to the boiler.

NOTE: THE FAN VOLTAGE IS 325V DC

CONDENSATE DRAIN - Refer to Frames 23 & 44

A condensate drain is provided on the boiler. This drain must be connected to a drainage point. All pipework and fittings in the condensate drainage system MUST be made of plastic - *no other materials may be used.*

IMPORTANT.

Any external runs must be insulated.

The drain outlet on the boiler is standard 21.5mm (3/4") overflow pipe.

GENERAL

3 OPEN VENT SYSTEM REQUIREMENTS

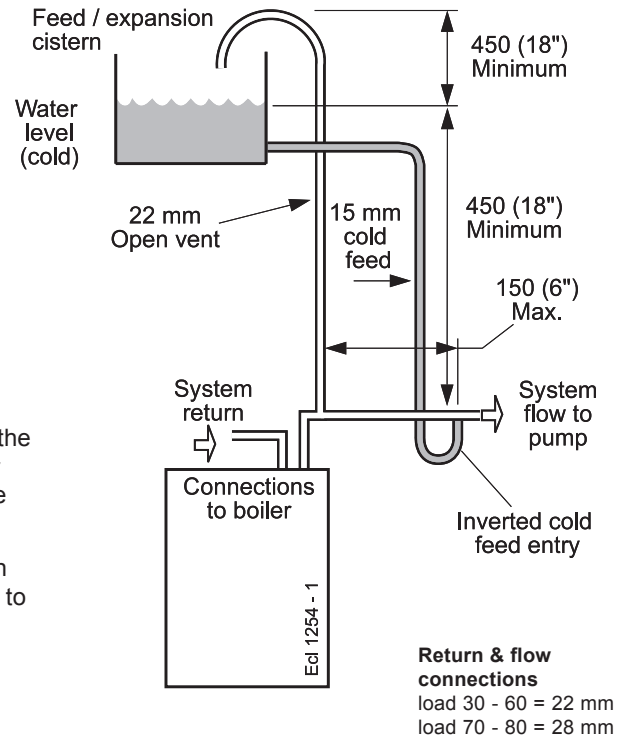
The system should be vented directly off the boiler flow pipe, as close to the boiler as possible. The cold feed entry should be inverted and **MUST** be positioned between the pump and the vent, and not more than 150mm (6") away from the vent connection.

Note. Combined feed and vent pipes may also be fitted.

There should be a minimum height 450mm (18") of open vent above the cistern water level. If this is not possible refer to Frame 5. The vertical distance between the highest point of the system and the feed/expansion cistern water level **MUST** not be less than 450 mm (18"). The pump must be fitted on the flow side of the boiler.

A suitable pump is a domestic circulator capable of providing a maximum 11°C (20°F) temperature differential across the boiler with the whole of the heating circuit open (e.g. Grundfos UPS 15/50, 15/60 or equivalent). With the minimum flow circuit allowed by the controls the differential must not exceed 25 °C. (18°C for the H16)

The vertical distance between the pump and feed/expansion cistern **MUST** comply with the pump manufacturer's minimum requirements, to avoid cavitation. Should these conditions not apply either lower the pump position or raise the cistern above the minimum requirement specified by **Wolseley Centers Ltd.** The isolation valves should be fitted as close to the pump as possible.

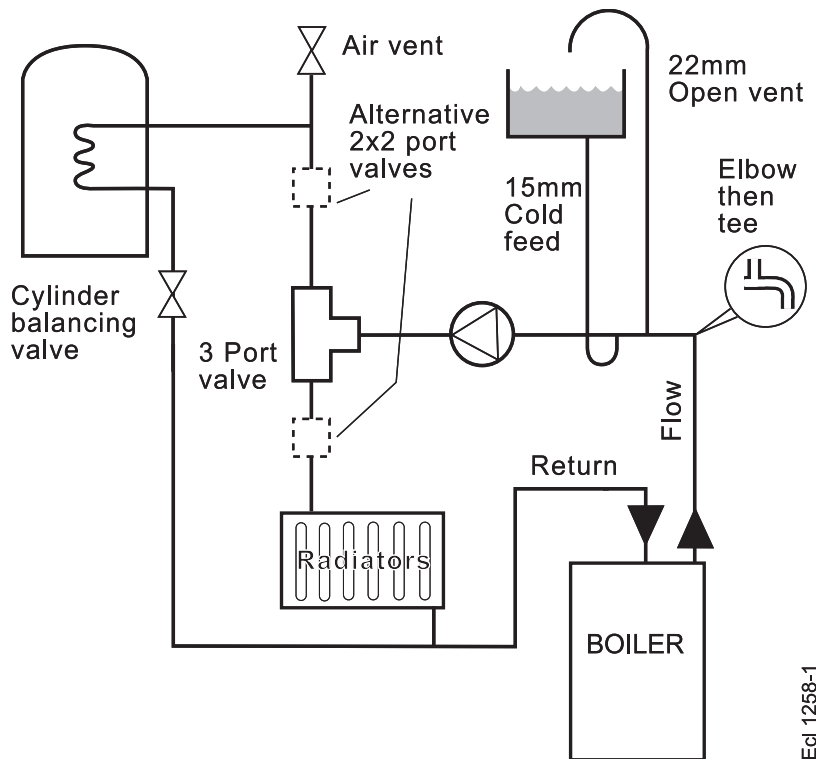


4 SCHEMATIC PIPEWORK AND SYSTEM BALANCING

The boiler does not normally need a bypass but at least some radiators on the heating circuit, of load at least 10% of the minimum boiler output, must be provided with twin lockshield valves so that this minimum heating load is always available (see footnote re. thermostatic radiator valves).

Balancing

1. Set the programmer to ON for both CH and HW. Turn the cylinder thermostat down. Close the manual or thermostatic valves on all radiators, leaving the twin lockshield valves (on the radiators referred to above) in the open position. Turn up the room thermostat and adjust these lockshield valves to give boiler flow and return temperatures not more than 20 °C apart. These valves should now be left as set.
2. Open all manual or thermostatic radiator valves and adjust the lockshield valves on remaining radiators to give around 11°C temperature drop at each radiator.
3. Turn up the cylinder thermostat and adjust the cylinder balancing valve so that the cylinder achieves a maximum flow consistent with adequate flow to the radiators. Check that with only the domestic hot water loop in circuit a differential temperature of 20 °C across the boiler is not exceeded.
4. Adjust room and cylinder thermostats and programmer to NORMAL settings.



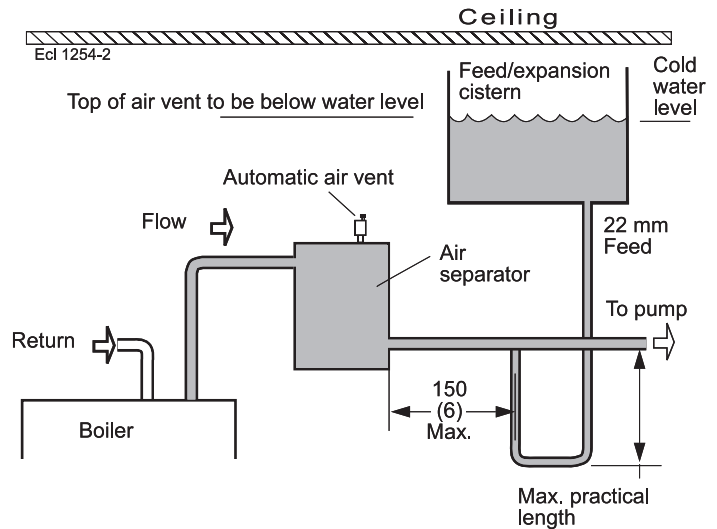
GENERAL

5 LOW HEAD AND LARGE SYSTEMS WITH EXTENSIVE PIPE RUNS - OPEN VENT

This arrangement is useful for large systems where radiators at the extremities are difficult to vent. This can lead to pumping over with conventional feed and vent arrangements.

The following conditions MUST be observed:

1. The top of the automatic air vent must be below the cold water level.
2. The static water level (cold) must be at least 200mm above the top of the horizontal flow pipe, fitted as shown. The vent connection MUST NOT be made immediately off the top of the boiler as venting is made less efficient.
3. The maximum practical length of 22mm cold feed pipe should be used in order to reduce the effective volume of hot system water expanding into the feed/expansion cistern to a minimum.



All dimensions in mm (in.).

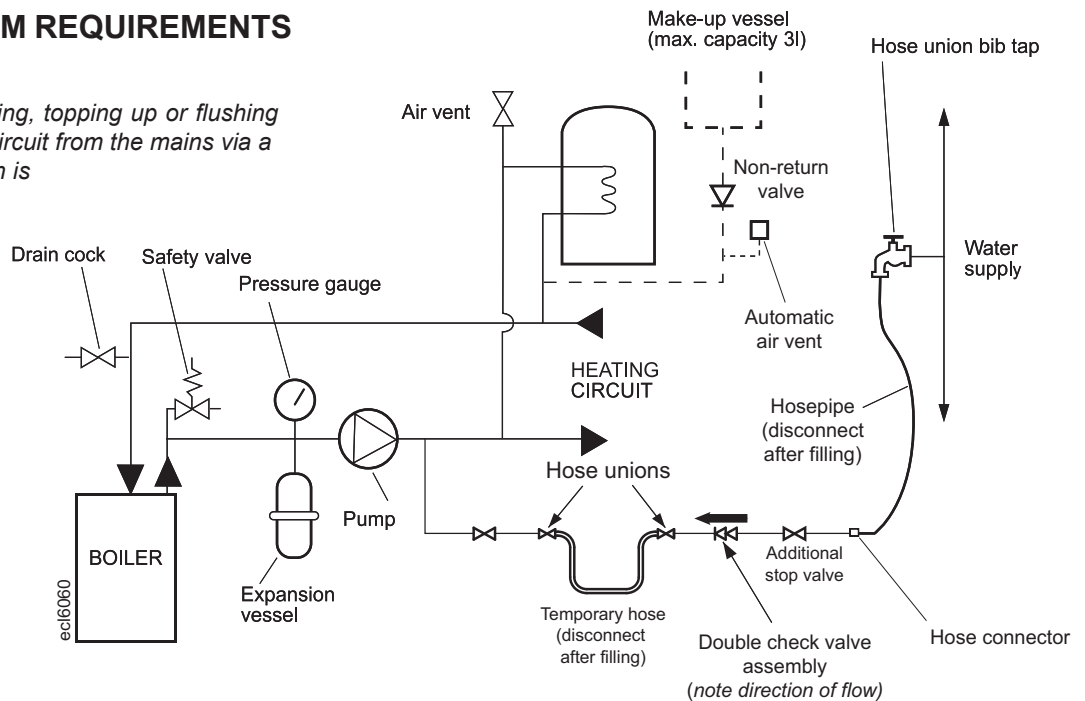
NB. Imperial dimensions are approximate

Note. The pump manufacturers' minimum requirements must be complied with.

6 SEALED SYSTEM REQUIREMENTS

Notes.

- a. The method of filling, refilling, topping up or flushing sealed primary hot water circuit from the mains via a temporary hose connection is only allowed if acceptable to the local water authority.
- b. When installing the filling device, it must be connected as shown to fully comply with the water regulations. This may involve the fitting of an additional WRAS approval isolator valve to the mains supply.



1. General

- a. The installation must comply with the requirements of BS. 6798 and BS. 5449.
- b. The installation should be designed to work with flow temperatures of up to 82 °C.
- c. All components of the system, including the heat exchanger of the indirect cylinder, must be suitable for a working pressure of 3 bar (45lb/in²) and temperature of 110°C. Care should be taken in making all connections so that the risk of leakage is minimised.

2. Safety Valve

A spring loaded safety valve complying with the relevant requirements of BS. 6759 must be fitted in the flow pipe as close to the boiler as possible and with no intervening valve or restriction. The valve should have the following features:

- a. A non-adjustable preset lift pressure not exceeding 3bar (45lb/in²).
- b. A manual testing device.
- c. Provision for connection of a discharge pipe. The valve or discharge pipe should be positioned so that the discharge of water or steam cannot create a hazard to the occupants of the premises or cause damage to electrical components and wiring.

3. Pressure Gauge

A pressure gauge covering at least the range 0-4 bar (0-60 lb/in²) must be fitted to the system. The gauge should be easily seen from the filling point and should preferably be connected at the same point as the expansion vessel.

7 SEALED SYSTEM REQUIREMENTS - continued

4. Expansion Vessel

- a. A diaphragm type expansion vessel must be connected to a point close to the inlet side of the pump, the connecting pipe being not less than 15 mm (1/2" nominal) size and not incorporating valves of any sort.
- b. The vessel capacity must be adequate to accept the expansion of the system water when heated to 110°C (230°F).
- c. The charge pressure must not be less than the static water head above the vessel. The pressure attained in the system when heated to 110° C (230° F) should be at least 0.35 bar (5 lb/in²) less than the lift pressure of the safety valve.

For guidance on vessel sizing refer to the table in Frame 8.

For further details refer to BS. 5449, BS. 7074:1 and the British Gas Corporation publication 'Material and Installation Specifications for Domestic Central Heating and Hot Water'. For IE refer to the current edition of I.S.813.

5. Cylinder

The cylinder must be either of the indirect coil type or a direct cylinder fitted with an immersion calorifier which is suitable for operating on a gauge pressure of 0.35 bar (5 lb/in²) in excess of the safety valve setting. Single feed indirect cylinders are not suitable for sealed systems.

6. Make-up Water

Provision must be made for replacing water loss from the system, either:

- a. From a manually filled make-up vessel with a readily visible water level. The vessel should be mounted at least 150 mm (6") above the highest point of the system, and be connected through a non-return valve to the system, fitted at least 300 mm (12") below the make-up vessel on the return side of the domestic hot water cylinder or radiators.
- or
- b. Where access to a make-up vessel would be difficult by pre-pressurisation of the system. Refer to 'Filling', below.

7. Mains Connection

There must be no direct connection to the mains water supply or to the water storage tank supplying domestic water, even through a non-return valve, without the approval of the local water authority.

8. Filling

The system may be filled by one of the following methods:

- a. Through a cistern, used for no other purposes, via a ball valve permanently connected directly to a service pipe and/or a cold water distributing pipe. The static head available from the cistern should be adequate to provide the desired initial system design

pressure. The cold feed pipe from the cistern should include a non-return valve and a stop valve with an automatic air vent connected between them, the stop valve being located between the system and the automatic air vent. The stop valve may remain open during normal operation of the system if automatic water make-up is required.

- b. Through a self-contained unit comprising a cistern, pressure booster pump (if required) and, if necessary, an automatic pressure reducing valve and flow restrictor. The cistern should be supplied through a temporary connection from a service pipe or cold water distributing pipe.

This unit may remain permanently connected to the heating system to provide limited automatic water make-up. Where the temporary connection is supplied from a service pipe or distributing pipe which also supplies other draw-off points at a lower level then a double check valve shall be installed upstream of the draw-off point.

- c. Through a temporary hose connection from a draw-off tap supplied from a service pipe under mains pressure. Where the mains pressure is excessive a pressure reducing valve shall be used to facilitate filling.

The following fittings shall form a permanent part of the system and shall be fitted in the order stated:

A stop valve complying with the requirements of BS. 1010, Part 2 (the hose from the draw-off tap shall be connected to this fitting).

A test cock.

A double check valve of an approved type.

- Thoroughly flush out the whole of the system with cold water, without the pump in position.
- With the pump fitted, fill and vent the system until the pressure gauge registers 1.5 bar (21.5lb/in²). Examine for leaks.
- Check the operation of the safety valve by manually raising the water pressure until the valve lifts. This should occur within ± 0.3 bar (± 4.3lb/in²) of the preset lift pressure.
- Release water from the system until the initial system design pressure is reached.
- Light the boiler and heat the system to the maximum working temperature. Examine for leaks.
- Turn off the boiler and drain the system while still hot.
- Refill and vent the system.
- Adjust the initial pressure to the required value.

Sizing procedure for expansion vessels: The volume of the expansion vessel (litres) fitted to a sealed system shall not be less than that given by the table on the following page, multiplied by a factor of 0.8 (for flow temperatures of less than 83° C).

GENERAL

8 SEALED SYSTEM REQUIREMENTS - continued

Safety valve setting	3.0 bar			2.5 bar			2.0 bar	
Vessel charge and initial system pressure	0.5 bar	1.0 bar	1.5 bar	0.5 bar	1.0 bar	1.5 bar	0.5 bar	1.0 bar
Total water content of system litres	Expansion vessel volume litres							
25	2.1	2.7	3.9	2.3	3.3	5.9	2.8	5.0
50	4.2	5.4	7.8	4.7	6.7	11.8	5.6	10.0
75	6.3	8.2	11.7	7.0	10.0	17.7	8.4	15.0
100	8.3	10.9	15.6	9.4	13.4	23.7	11.3	20.0
125	10.4	13.6	19.5	11.7	16.7	29.6	14.1	25.0
150	12.5	16.3	23.4	14.1	20.1	35.5	16.9	30.0
175	14.6	19.1	27.3	16.4	23.4	41.4	19.7	35.0
200	16.7	21.8	31.2	18.8	26.8	47.4	22.6	40.0
225	18.7	24.5	35.1	21.1	30.1	53.3	25.4	45.0
250	20.8	27.2	39.0	23.5	33.5	59.2	28.2	50.0
275	22.9	30.0	42.9	25.8	36.8	65.1	31.0	55.0
300	25.0	32.7	46.8	28.2	40.2	71.1	33.9	60.0
Multiplying factors for other system volumes	0.0833	0.109	0.156	0.094	0.134	0.237	0.113	0.20

9 WATER TREATMENT

The evo HE boiler range has an ALUMINIUM alloy heat exchanger

IMPORTANT. The application of any other treatment to this product may render the guarantee of Wolseley Centers Ltd. invalid.

Wolseley Centers Ltd. recommend water treatment in accordance with the *Benchmark* Guidance Notes on Water Treatment in Central Heating systems.

Wolseley Centers Ltd. recommend the use of FERNOX-COPAL or MB1 or GE Betz Sentinel X100 inhibitors and associated water treatment, which must be used in accordance with the manufacturers' instructions. For further information contact:

Fernox Manufacturing Co. Ltd
Cookson Electronics
Forsyth Road
Sheerwater
Woking
Surrey
GU21 5RZ
Tel: +44 (0) 1799 521133

Sentinel Performance Solutions
The Heath Business & Technical
Park
Runcorn
Cheshire
WA7 4QX
Tel: 0800 389 4670
www.sentinel-solutions.net

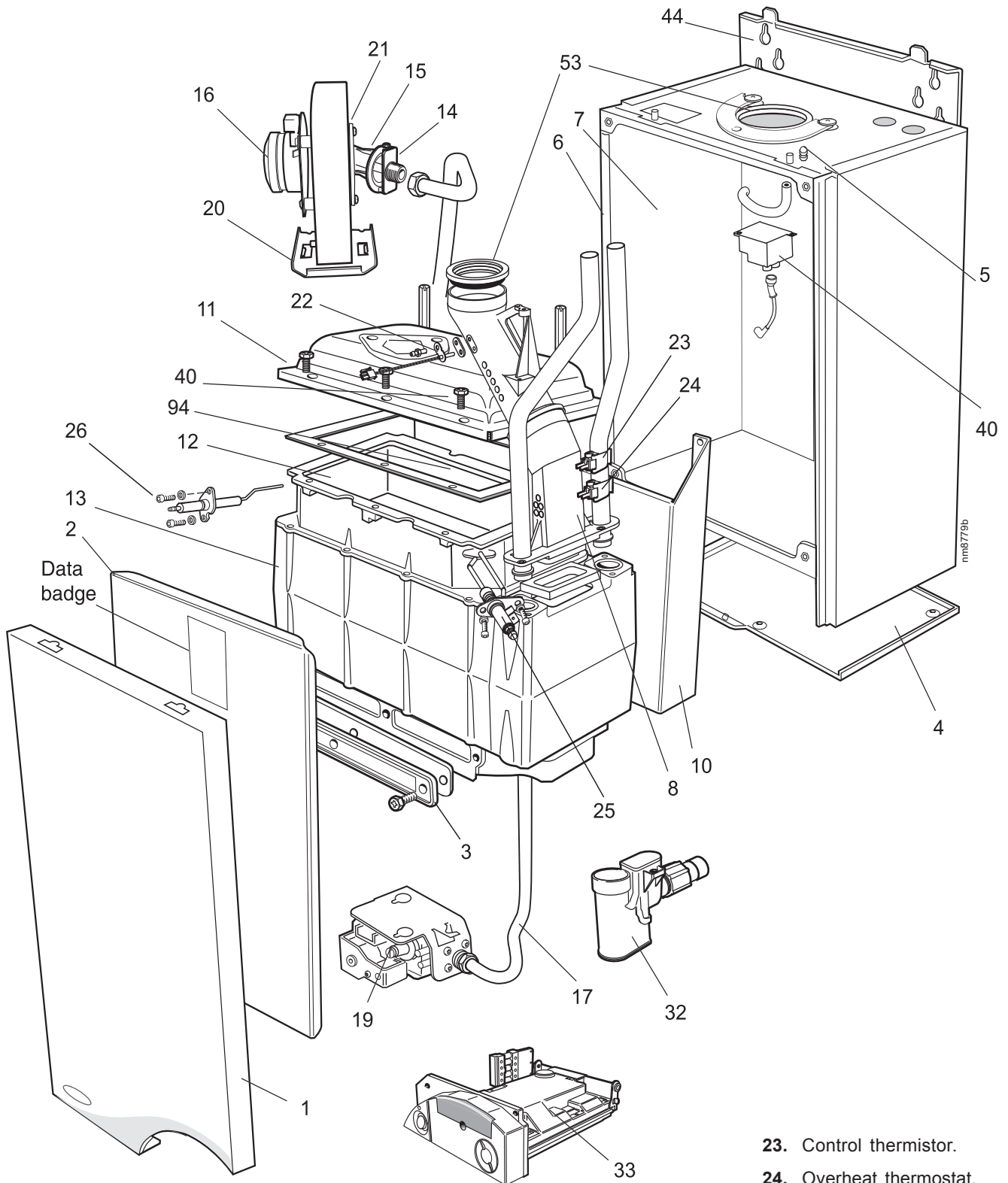
Salamander Engineering Ltd
The Heath Business & Technical
Park
Runcorn
Cheshire
WA7 4QX
Tel: +44 (0) 121 3780952

Notes

- It is most important that the correct concentration of the water treatment product is maintained in accordance with the manufacturers' instructions.*
- If the boiler is installed in an existing system any unsuitable additives MUST be removed by thorough cleansing.*
BS. 7593:2006 details the steps necessary to clean a domestic central heating system.
- In hard water areas, treatment to prevent lime scale may be necessary - however, the use of artificially softened water is NOT permitted.*
- Under no circumstances should the boiler be fired before the system has been thoroughly flushed.*

INSTALLATION

10 BOILER ASSEMBLY - Exploded view



LEGEND

- | | | | |
|-------------------------|------------------------------------|-----------------------------|--------------------------------|
| 1. Front casing panel. | 8. Flue manifold. | 15. Venturi assy. | 23. Control thermistor. |
| 2. Sealing panel. | 10. Interpanel. | 16. Fan assy. | 24. Overheat thermostat. |
| 3. Sump cover plate. | 11. Burner assy. | 17. Gas pipe assy. | 25. Ignition electrode. |
| 4. Bottom casing panel. | 12. Combustion chamber Insulation. | 19. Gas control valve assy. | 26. Flame detection electrode. |
| 5. Flue sensing nipple. | 13. Heat exchanger. | 20. Fan bracket assy. | 32. 'S' trap. |
| 6. Return pipe. | 14. Injector & housing. | 21. Orifice plate. | 33. Control assy. |
| 7. Flow pipe. | | 22. Flue thermistor. | 40. Spark generator. |
| | | | 44. Wall mounting plate. |
| | | | 53. Turret gasket kit. |
| | | | 94. Ignition lead. |

11 UNPACKING

The boiler is supplied fully assembled in one Pack A, together with a telescopic flue assembly for lengths up to 595mm, rear or side flue outlet, in Pack B.

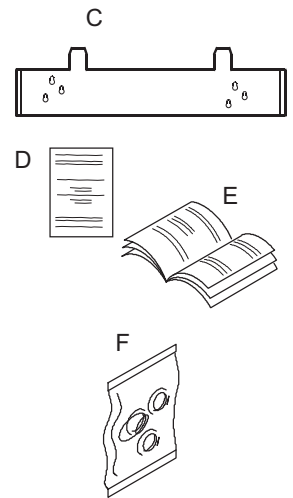
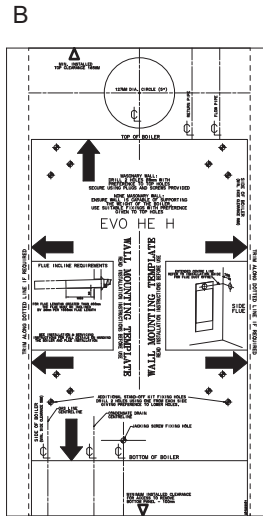
Unpack and check the contents.

Pack A Contents

- A The boiler
- B Wall mounting template on cardboard
- C Wall mounting plate
- D 1 year guarantee form
- E These Installation & Servicing User's Instructions
- F Hardware pack



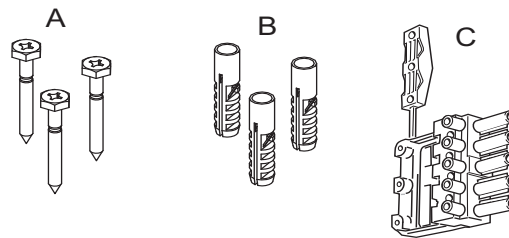
nm7890



Hardware Pack

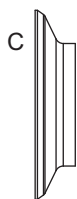
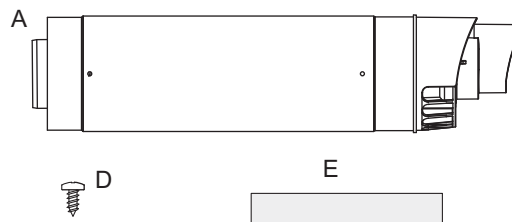
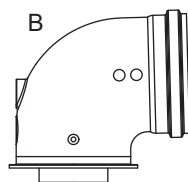
- A 50mm x No.14 wood screws - 3 off
- B Wall plugs (TP2B) - 3 off
- C Mains connector - 1 off

nm8464



B Pack Contents

- A Telescopic flue terminal
- B Flue turret
- C Rubber Terminal Wall Seal
- D Screw
- E Sealing Tape

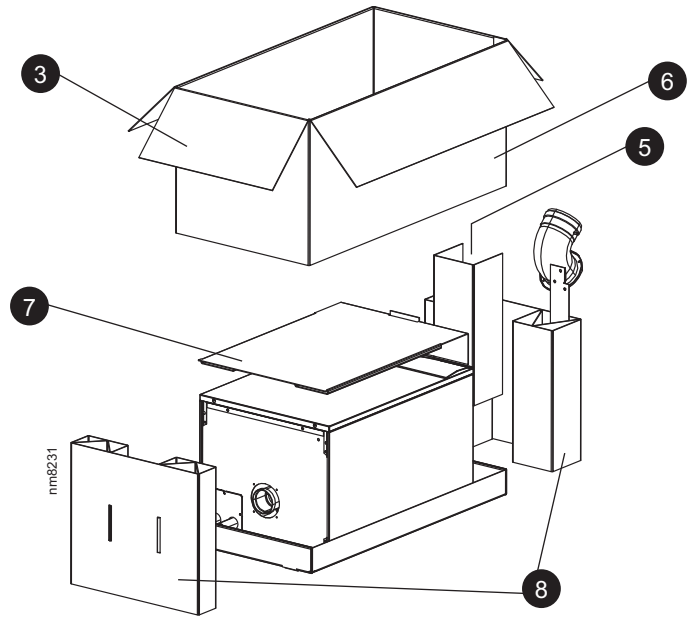


isfu8751d

INSTALLATION

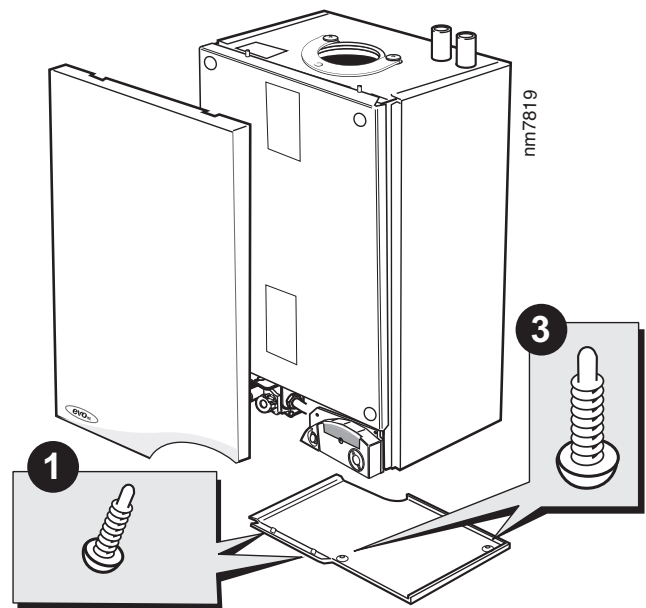
12 PACKAGING REMOVAL

1. Ensure the boiler is stood correctly, as marked on the carton.
2. Cut and remove the strapping.
3. Fold back the top flaps to gain access to the wall mounting plate, literature and wall mounting template. (located on protective packaging piece).
4. Remove the instructions and read thoroughly before unpacking the product.
5. Remove the hardware pack and keep in a safe place.
6. When ready for installation lift off the outer sleeve.
7. Remove the top protection packing/template and save for further use.
8. Remove the two packaging ends.



13 BOTTOM PANEL REMOVAL

1. To remove the front panel remove the 2 screws from the bottom panel.
2. Lift the front panel up and off the top pegs.
3. To remove the bottom panel remove the 2 screws.
4. Pull the RH side of the panel down. Slide it to the right and withdraw.



INSTALLATION

14 DETERMINING THE FLUE LENGTH AND FLUE PACKS REQUIRED

IMPORTANT. The boiler MUST be installed in a vertical position.

FLUE KITS

Pack B - supplied as standard.

Finishing Kit - supplied as an optional extra.

Pack D - optional extension kit for side flue or rear flue outlet.

Screw Kit - Optional kit for mechanical fixing of flue joints

Refer to 'Flue Extension Ducts'

Dimension X - Wall thickness.

Dimension L - Wall thickness plus boiler spacing.

Dimension S - Stand-off frame depth = 33mm.

Note. **MAXIMUM FLUE LENGTHS:**

HORIZONTAL FLUE - 6M

ROOF FLUE KIT - 7.5M

POWERED VERTICAL FLUE KIT - 5M PRIMARY AND 17M SECONDARY IS A TYPICAL MAXIMUM LENGTH. For alternative maximum lengths refer to Powered Vertical Instructions.

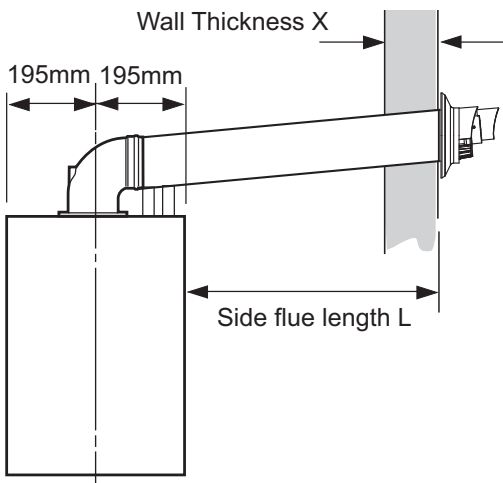
90° ELBOW KIT 60/100 (EQUIVALENT FLUE LENGTH RESISTANCE = 1M)

45° ELBOW KIT 60/100 (EQUIVALENT FLUE LENGTH RESISTANCE = 0.6M)

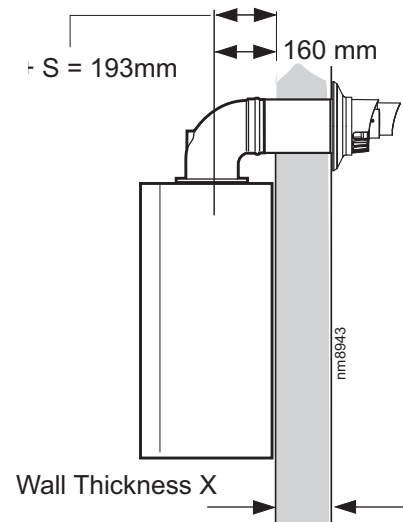
MINIMUM HORIZONTAL FLUE LENGTHS - TELESCOPIC TERMINAL = 370MM

(Centre Line of turret to outside of wall terminal) - **ONE PIECE TERMINAL = 285MM**

SIDE FLUE



REAR FLUE



Notes.

1. When extension 'D' packs are used the flue duct MUST be inclined at 1.5 degrees to the horizontal to allow condensate to drain back into the boiler and out through the condensate drain.
2. If the telescopic 'B' pack or horizontal flue terminal (600 long) only are used, they may be mounted horizontally. The 1.5 degrees is taken care of by the inclination of the flue within the air pipe
3. If the boiler is to be installed with downward piping routed behind the boiler then the optional stand-off kit should be used. Care must be taken when cutting the ducts and marking the wall to suit this condition.
4. Only use water as a lubricant during assembly.

Total Flue length dimension (measuring from CL of turret to outside wall)		Flue
Rear flue dim. X+160	Side flue dim. L+195	Extra packs required
Up to 595 mm	Up to 595 mm	none
Up to 1545 mm	Up to 1545 mm	Pack D - 1 off
Up to 2495 mm	Up to 2495 mm	Pack D - 2 off
Up to 3445 mm	Up to 3445 mm	Pack D - 3 off
Up to 4395 mm	Up to 4395 mm	Pack D - 4 off
Up to 5345 mm	Up to 5345 mm	Pack D - 5 off
Up to 6000 mm	Up to 6000 mm	Pack D - 6 off

It is recommended that a support bracket is fitted for every 1 metre of extension pipe used and also at every joint to ensure pipes are held at the correct angle. If a slip joint coupling is used then a support bracket must be used to secure the collar.

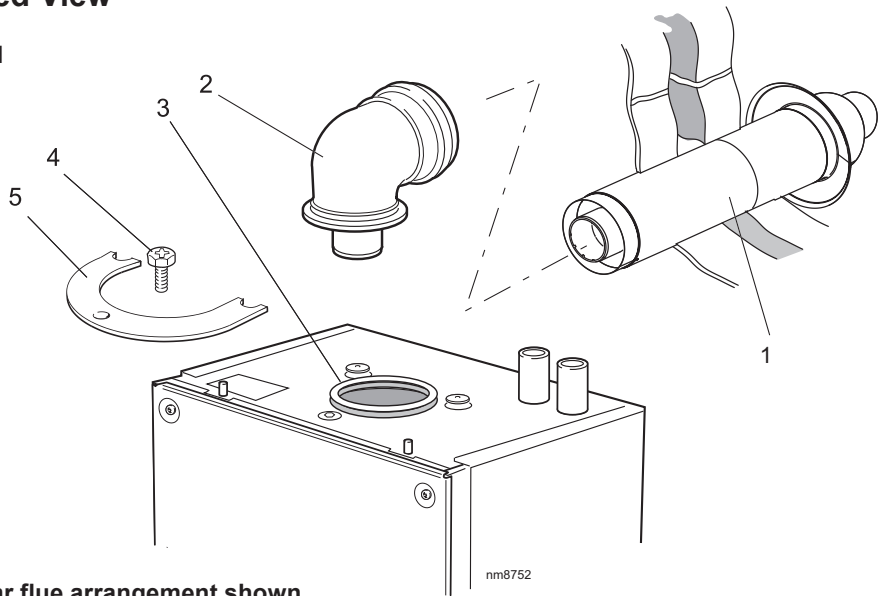
INSTALLATION

15 FLUE ASSEMBLY - Exploded View

An optional flue duct extension kit is required for wall thicknesses greater than :

Side 395mm

Rear 435mm



Rear flue arrangement shown

LEGEND

1. Duct assembly.
2. Flue turret.
3. Turret gasket.
4. M5 x 10 pozi screw.
5. Turret clamp.

16 WALL MOUNTING TEMPLATE

The wall mounting template is located on the internal top protective packaging.

Note.

The template shows the positions of the fixing holes and the rear flue hole centre for standard installation. Care MUST be taken to ensure the correct holes are drilled.

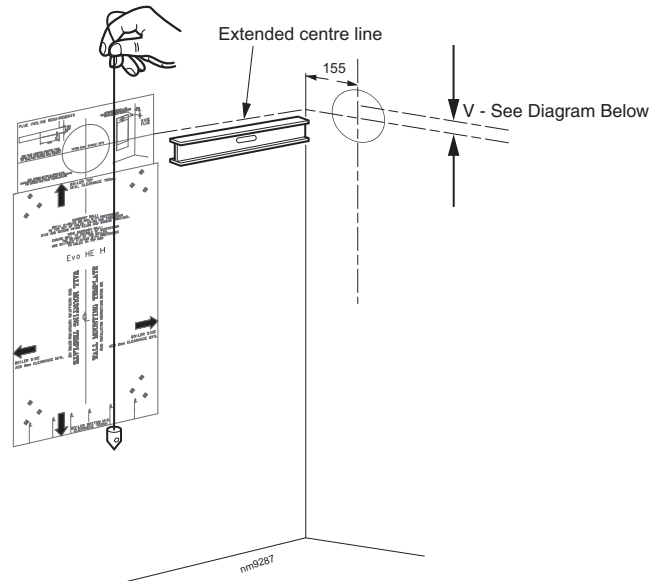
1. Tape template into the selected position. Ensure squareness by hanging a plumbline as shown.
2. If fitting a side flue extend the flue centre line onto the side wall and measure in 155mm for standard installation.

Note. If using stand-off kit distance increases to 188mm.

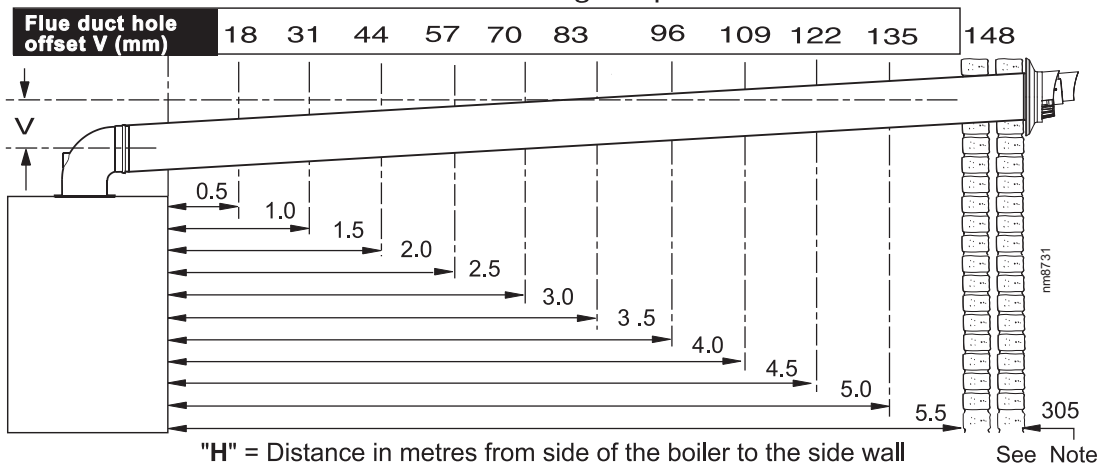
3. Mark onto the wall the following:
 - a. The wall mounting plate screw positions (choose one from each side with preference to top holes).
 - b. The position of the flue duct hole (see diagram below).

Note. Mark the centre of the hole as well as the circumference.

4. Remove the template from the wall.



See wall mounting template



INSTALLATION

17 PREPARING THE WALL

IMPORTANT. Ensure that, during the cutting operation, masonry falling outside of the building does not cause damage or personal injury.

1. Cut the flue hole (preferably with a 5" core boring tool), ensuring that the hole is square to the wall. Both wall faces immediately around the cut hole should be flat.
2. Drill 3 holes with a 7.5mm / 8mm masonry drill and insert the plastic plugs provided, for the wall mounting plate and the jacking screw plate.

Note.

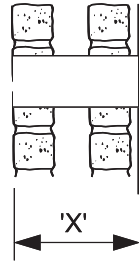
If using the stand-off kit then drill 4 holes (choosing one from each group but not the jacking screw).

3. Locate 2 No.14 x 50mm screws in the piping frame (one at each side, in any of the 3 holes provided at each side) and screw home.

Note.

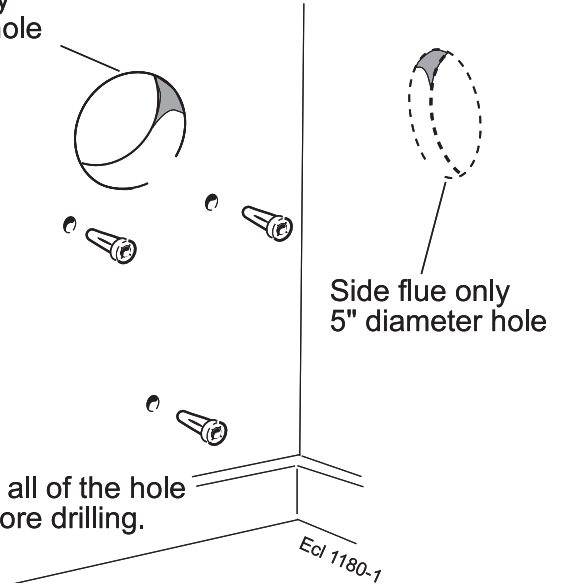
If using the stand-off kit then locate the stand-off channel and screw home.

Rear flue only
5" diameter hole



Section through wall

Note. Check all of the hole positions before drilling.



Side flue only
5" diameter hole

18 TERMINAL WALL SEAL ASSEMBLY / POSITIONING

Prior to fitting the flue, the rubber terminal wall seal provided in the flue pack **MUST** be fitted to the flue terminal as shown below in Figure 1.

Once the flue is installed it is **IMPORTANT** that the rubber terminal wall seal is pressed against the outside wall to create an adequate seal between the flue and wall as shown in Figure 2.

FIGURE 1

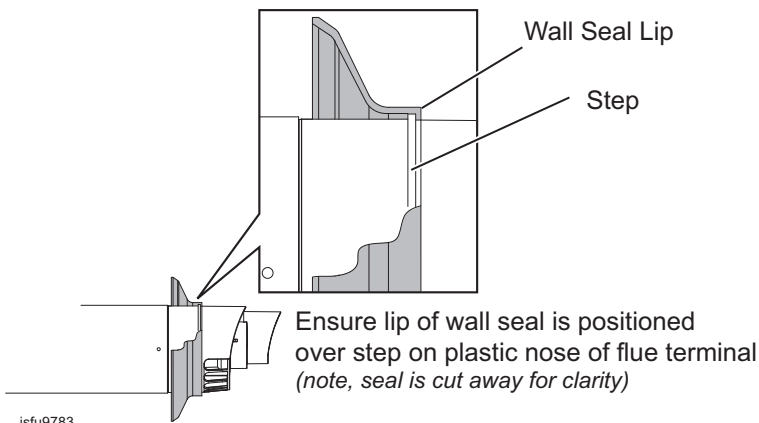
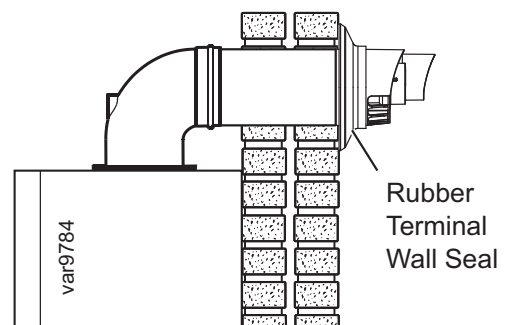


FIGURE 2



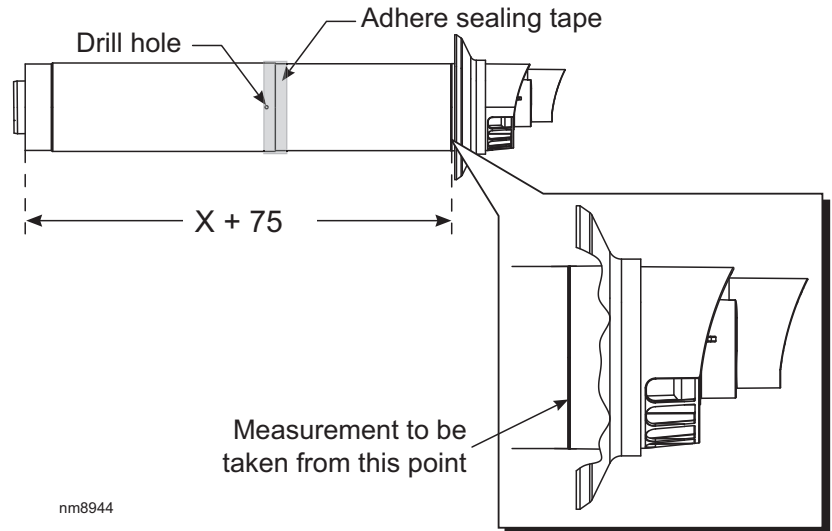
INSTALLATION

19A SETTING THE FLUE - REAR Wall thicknesses of 210 to 435mm

Notes.

- If using the extension ducts go to Frame 18.
- If the stand-off frame is used it is essential to add 33mm to dimension X.
- For shorter flue requirements less than 210mm, use non telescopic B Pack.

- Measure and note wall thickness X. Refer to Frame 12.
- Add 75mm to dimension X and set telescopic flue length as indicated in drawing.
- Using a 3.5mm drill bit, drill one hole in outer air duct taking care not to pierce plastic inner flue.
- Fix to length using self tappers provided.
- Seal outer air duct using the tape provided.

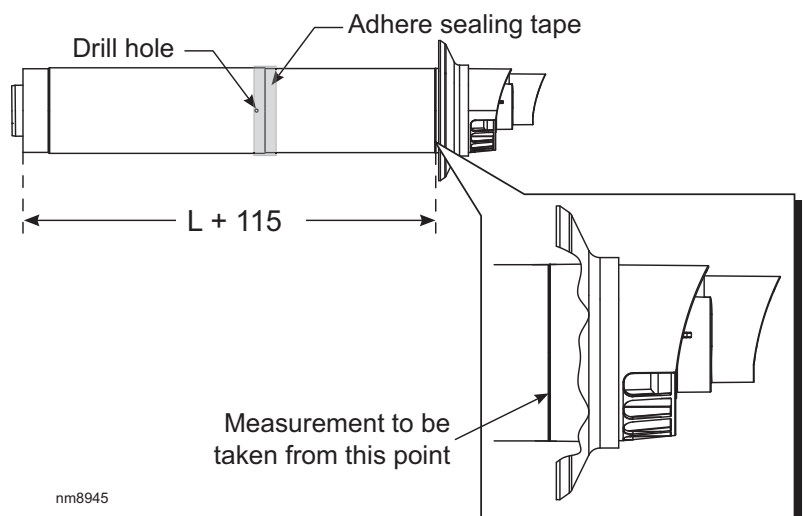


19B SETTING THE FLUE - SIDE Wall thicknesses of 170 to 395mm

Notes.

- If using the extension ducts go to Frame 18.
- For shorter flue requirements use non telescopic B Pack.

- Measure and note wall thickness X. Refer to Frame 14.
- Measure distance from side of boiler to inside of wall and add to wall thickness $X=L$. Refer to Frame 14.
- Add 115mm to dimension L and set telescopic flue length as indicated in drawing.
- Using a 3.5mm drill bit, drill one hole in outer air duct taking care not to pierce plastic inner flue.
- Fix to length using self tappers provided.
- Seal outer air duct using the tape provided.

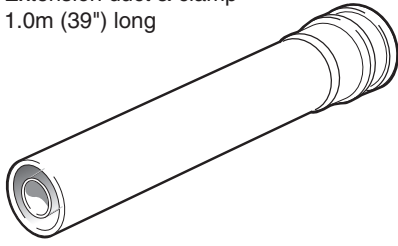


INSTALLATION

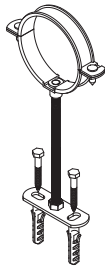
20 FLUE EXTENSION DUCTS - For total flue lengths greater than 595mm

Pack D Flue extension duct kit contents.

Extension duct & clamp
1.0m (39") long

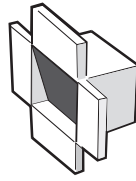


nm8732

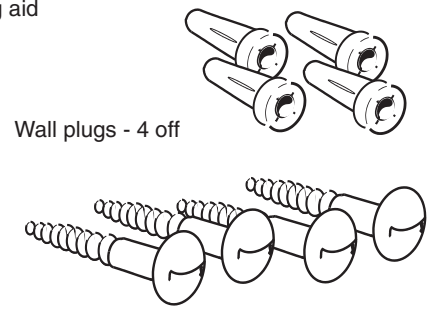


Flue duct support

Flue support cutting aid
(shown folded up)



No. 10 x2" wood screw - 4 off



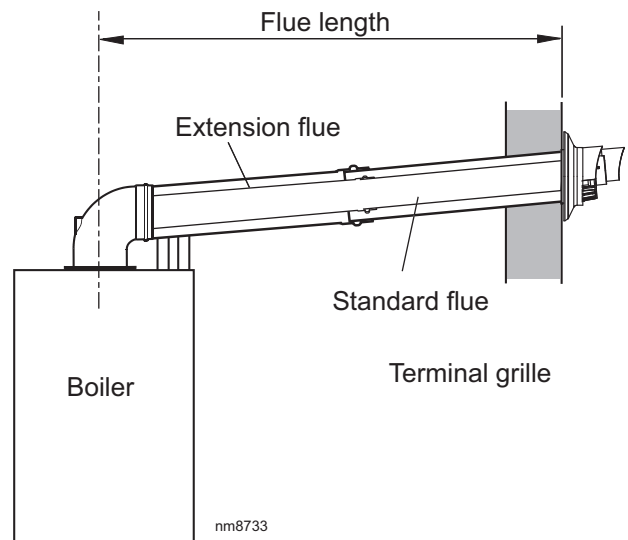
Wall plugs - 4 off

21 FLUE EXTENSION DUCTS - continued

Use a maximum of 6m extended flue ONLY

General arrangement

1. A **maximum** of 6 extension ducts (one suitably cut) plus the standard flue duct may be used together.
2. Flue extensions of greater length than 1m (39") should be supported with the bracket provided, suitably adjusted. Refer to Frame 20 & 26.
3. Only use water as a lubricant during assembly.



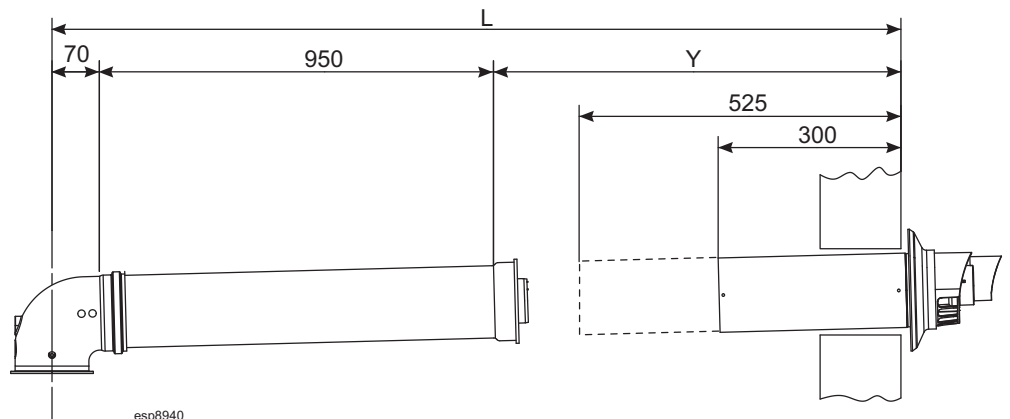
Note. Side flue shown

20 FITTING THE KIT

Because of the flexibility of the telescopic flue terminal it is not always necessary to cut an extension pack.

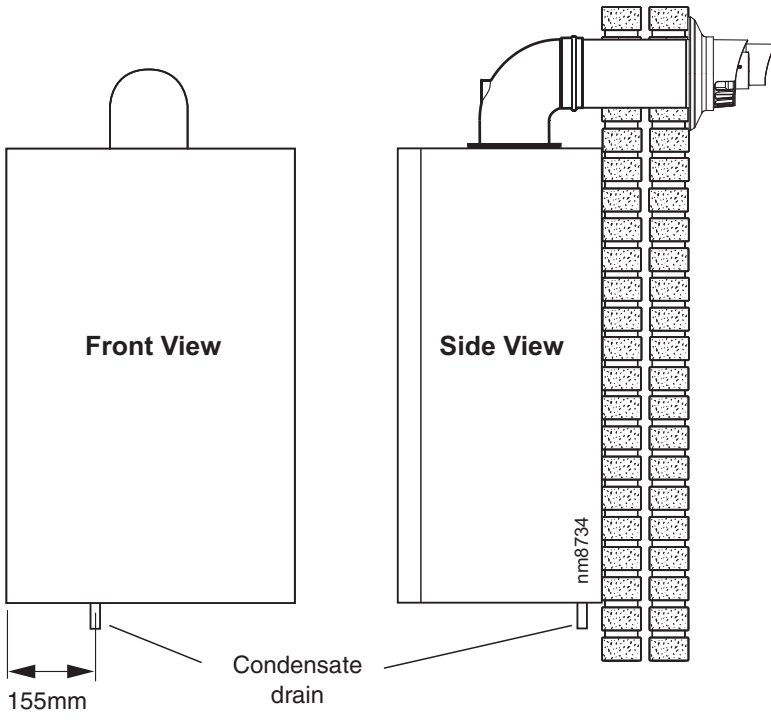
1. Measure the total flue length from the centre of the boiler outlet to the outside wall.
2. Subtract 70mm from this dimension.
3. Subtract 950mm for each 'D' pack to be used.
4. If the remainder Y is 300mm - 525mm this can be taken up by the adjustment in the telescopic flue.
5. If the remainder Y is 525mm - 950mm it will be necessary to cut a 'D' pack to 400mm.

6. if the remainder Y is less than 300mm, shorten the previous 'D' pack to 400mm and adjust the telescopic terminal.
7. Measure and mark the length on the flue, to ensure a square cut mark the flue all the way around and cut to length.



INSTALLATION

23 CONDENSATE DRAIN



The condensate drain provided on the boiler must be connected to a drainage point, preferably within the building.

Ensure that the condensate trap is full of water before commissioning the boiler.

The routing of the drain must be made to allow a minimum fall of 1 in 20 away from the boiler, throughout its length.

The drainage pipework must be arranged so that obstruction (e.g. through freezing) of external drainage pipe does not give rise to spillage within the dwelling.

IMPORTANT. If excessive external pipework cannot be avoided an additional siphon kit and insulation are recommended, in order to prevent possible freezing.

All pipework and fittings in the condensate drain system must be made of plastic. No other materials may be used.

The drain outlet on the boiler is standard 21.5mm overflow pipe. This size must not be reduced in any part of its length.

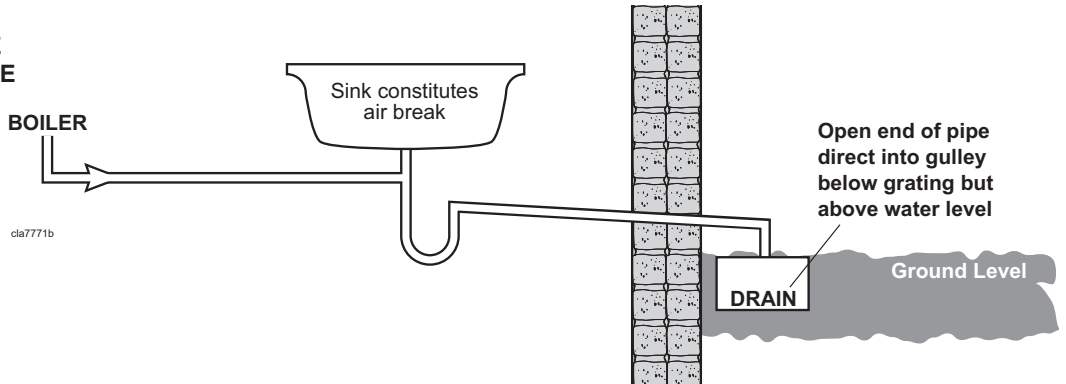
A plastic cap is fitted to the end of the condensate drain adaptor. This must be removed before connection is made.

If external condensate pipe run is greater than 3m then pipe must be 32mm nominal diameter. Consideration must be given to insulating external condensate pipe runs.

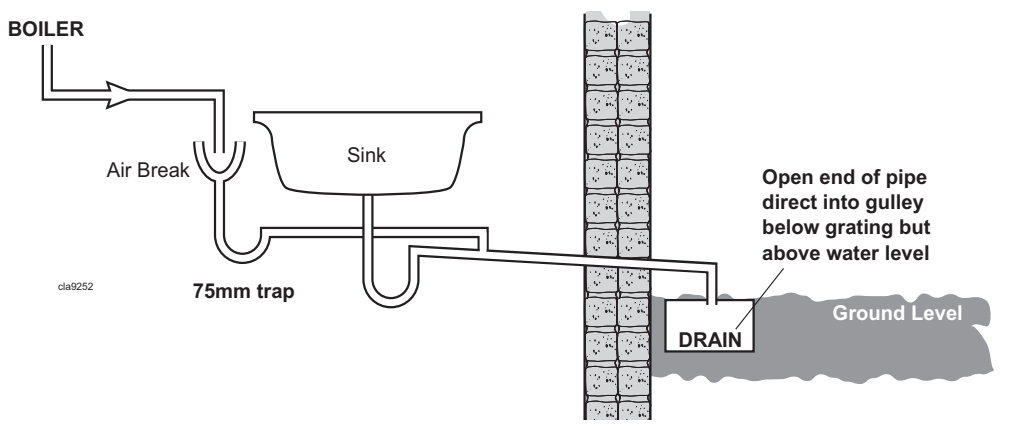
24 CONDENSATE PIPE TERMINATION CONFIGURATIONS

Note. ALL PIPE RUNS MUST BE IN ACCORDANCE WITH BS6798

1. INTERNAL TO SINK WASTE UPSTREAM OF SINK WASTE TRAP



2. INTERNAL TO SINK WASTE DOWNSTREAM OF SINK WASTE TRAP (PREFERRED METHOD)



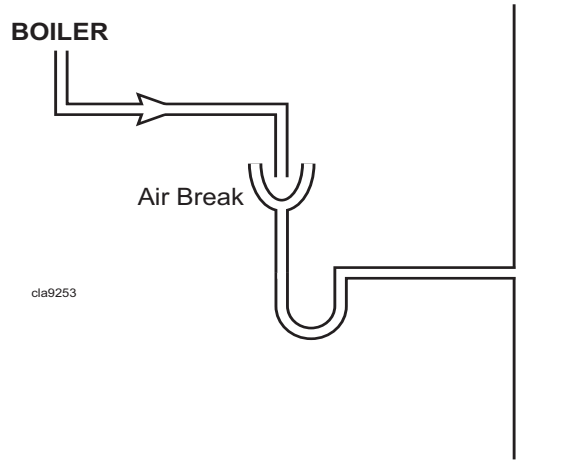
continued

25 CONDENSATE PIPE TERMINATION CONFIGURATIONS . . . *continued*

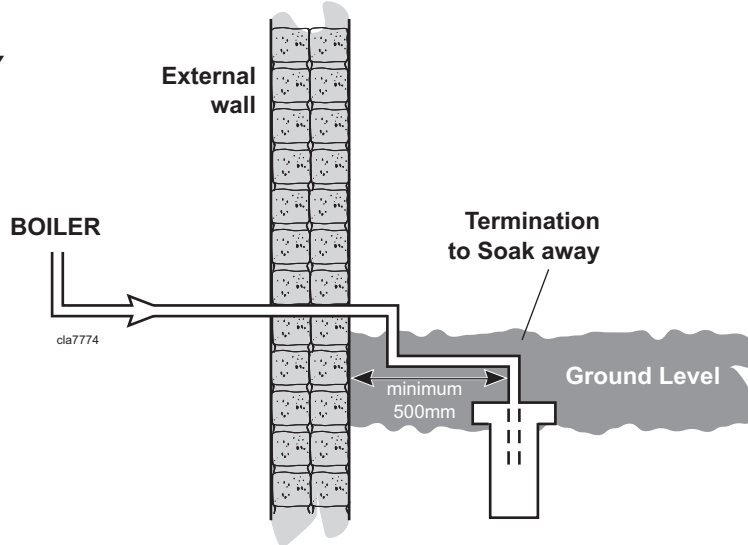
3. INTERNAL CONNECTION TO SOIL AND VENT STACK

Termination into a down pipe can take place providing it can be confirmed that the down pipe is part of a combined waste and rain water system.

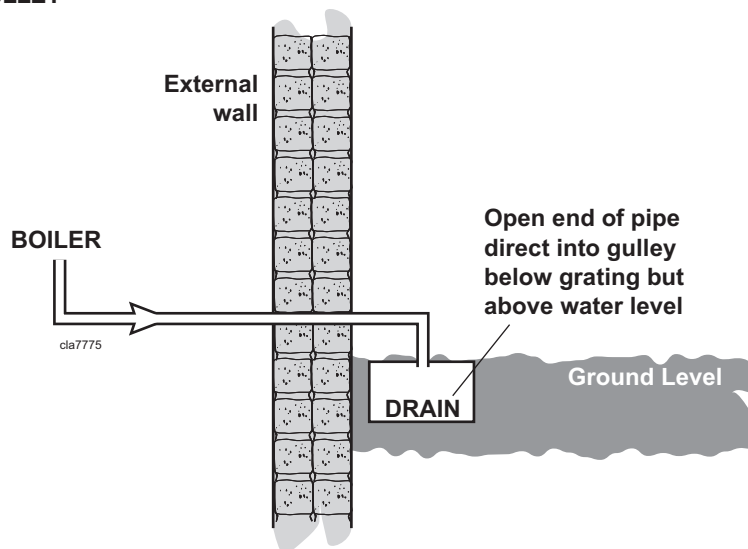
* Make connection to SVP using a solvent welded saddle



4. TERMINATION TO SOAK AWAY



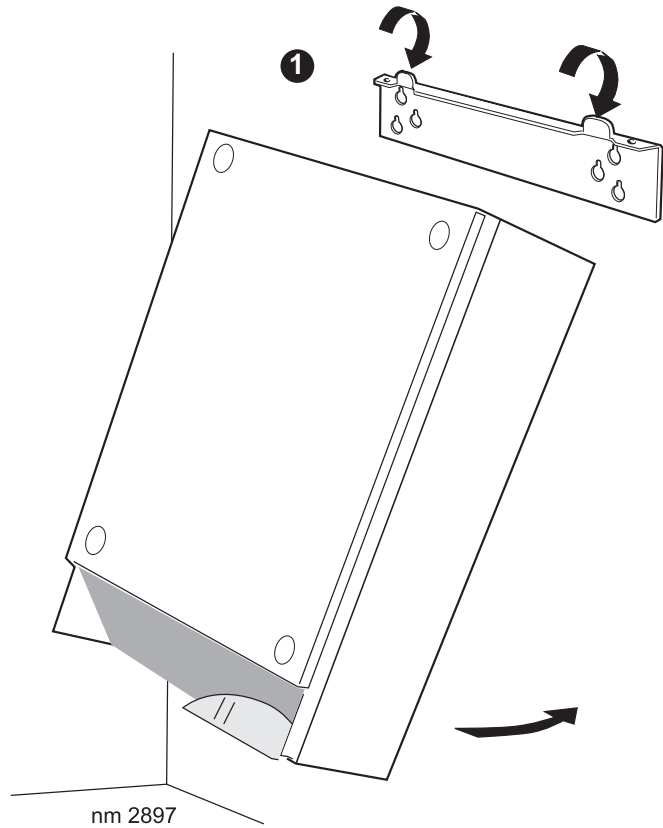
5. TERMINATION TO DRAIN / GULLEY



INSTALLATION

26 MOUNTING THE BOILER

1. Lift the boiler onto the wall mounting plate, as shown.
2. Check the boiler alignment using a spirit level and adjust as necessary with the jacking screw.
3. Align the hole in the jacking plate with the pre-drilled hole in the wall and fix in position with the No.10 x 2" screw provided.
4. Fit condensate union connection



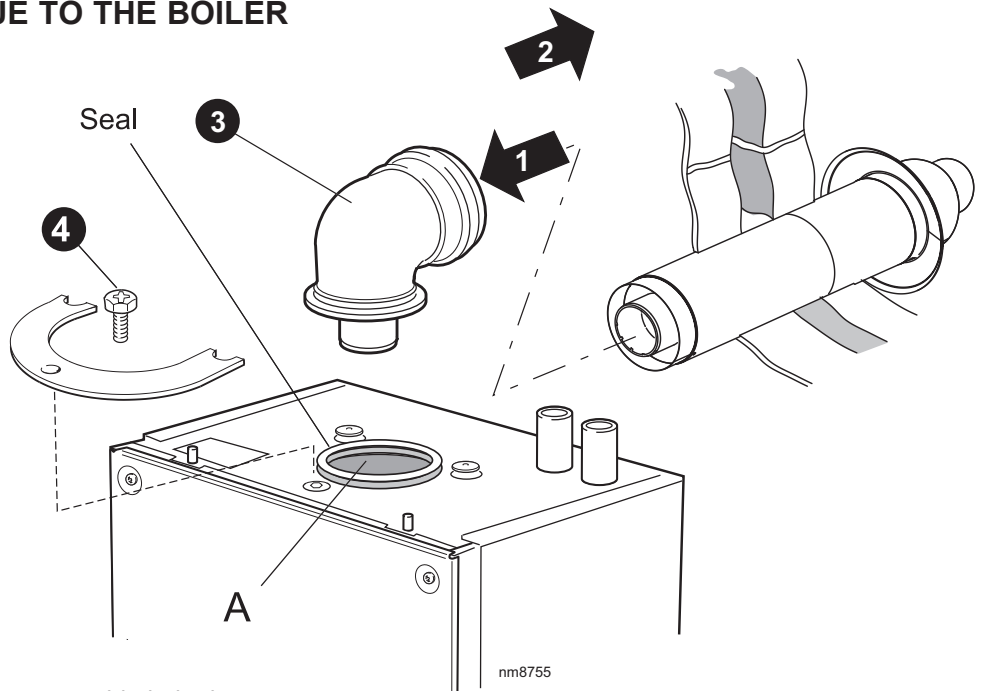
27 CONNECTING THE FLUE TO THE BOILER

Note.

Before fitting the flue turret fill the condensate trap within the boiler by pouring a cupful of water into flue outlet A.

Make sure the plastic cap is removed from the end of the condensate drain adapter.

Take care to ensure that the water is only poured into the flue outlet, and does not spill into the boiler casing.



1. Locate the flue into the turret.
2. Insert the flue assembly through the prepared hole in the wall. Push through and pull back to seal against outside wall face.
3. Locate the flue turret on the top of the boiler, ensuring that the turret gasket is in place. Also ensure the turret is located concentric with the flue aperture on the boiler top panel. Check that the flue seal (at A) located in the top of the flue manifold is secure and giving an effective seal.
4. Secure the flue turret on top of the boiler by inserting the open ends of the turret clamp under the 2 studs and fixing it in the middle with the single M5 x 10mm pozi-hex screw provided.

5. Flues over 1 metre long.

Fix the flue support bracket to the wall, using the wall plug and wood screw. For standard installations use the short wood screw.

If the stand-off option is used, secure the support bracket using the spacer bracket and long wood screw.

NB. The space bracket will utilise one fixing hole only whilst used in conjunction with the stand-off option.

INSTALLATION

28 FITTING THE OPTIONAL ROOF FLUE KIT (Flat or Pitched)

Note.

A flat or pitched roof flashing plate (not supplied) is required before proceeding with the installation of this kit.

This kit is suitable for both flat and pitched roof terminations, using a concentric flue to run vertically from the top of the boiler and terminating above roof level.

Connection to the top of the boiler is made using both a separately supplied vertical connector and a 80/125 adaptor.

WEATHER PROOFING

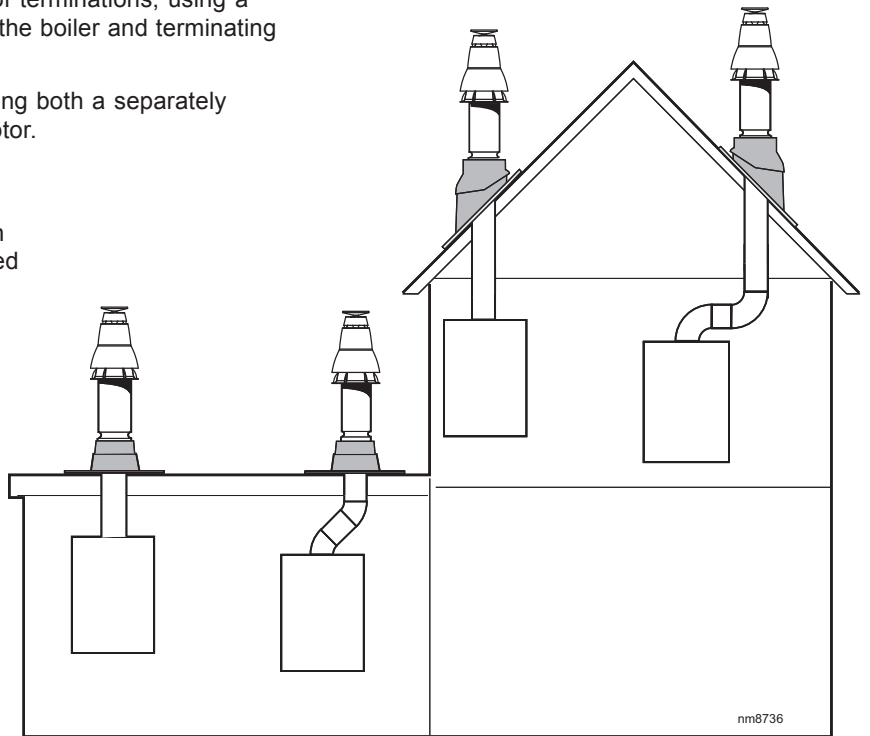
Where the flue passes through the roof line an adequate seal must be made. This is achieved by using either:

- Flat roof weather collar
- or
- Universal weather collar.

ACCESSORIES

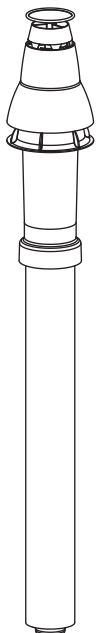
Flue Duct Extension Kits are available for flue lengths extending beyond 1m. These packs contain 1m extension ducts and may be cut to the desired length.

If the offset vertical option is used an elbow Kit is required. For a full accessories list refer to page 7, Optional Extras and Frame 31, Flue Arrangement.

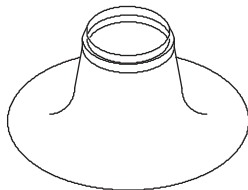


29 ROOF FLUE KIT CONTENTS / OPTIONS

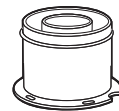
Flue Terminal



Flue Seal Collar - Flat Roof



Vertical connector



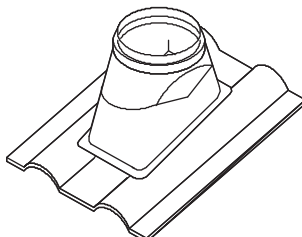
90° elbow



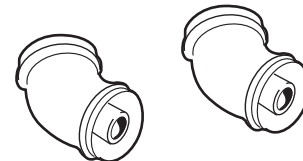
Flue duct support



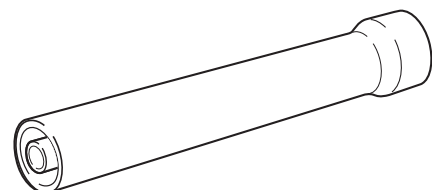
Flue Seal Collar - Tile Roof



45° elbow



Roof Flue Extension Duct



nm8810

FLUE OUTLET

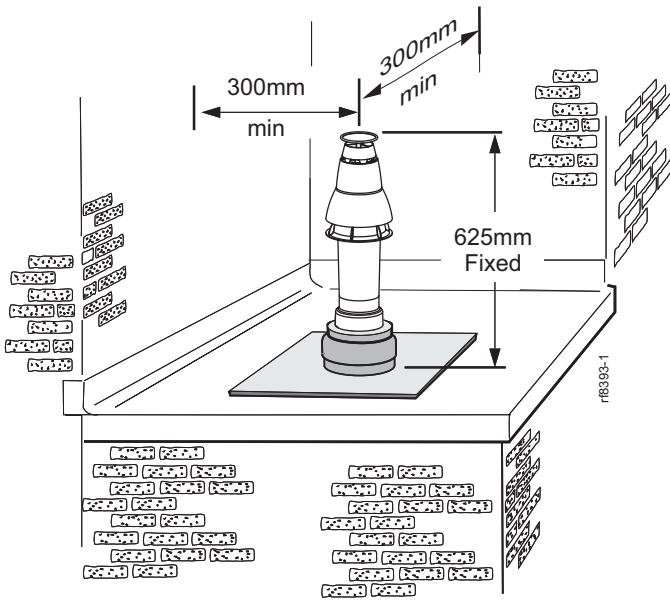
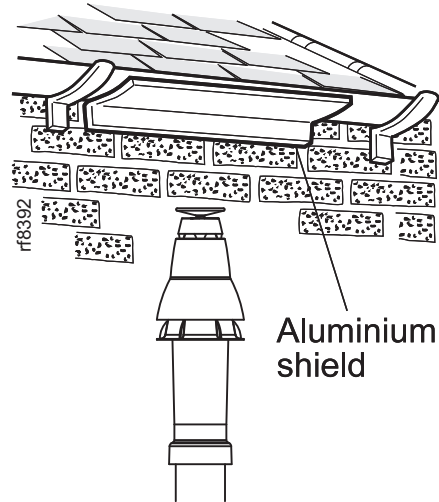
INSTALLATION

30 FLUE TERMINAL POSITION

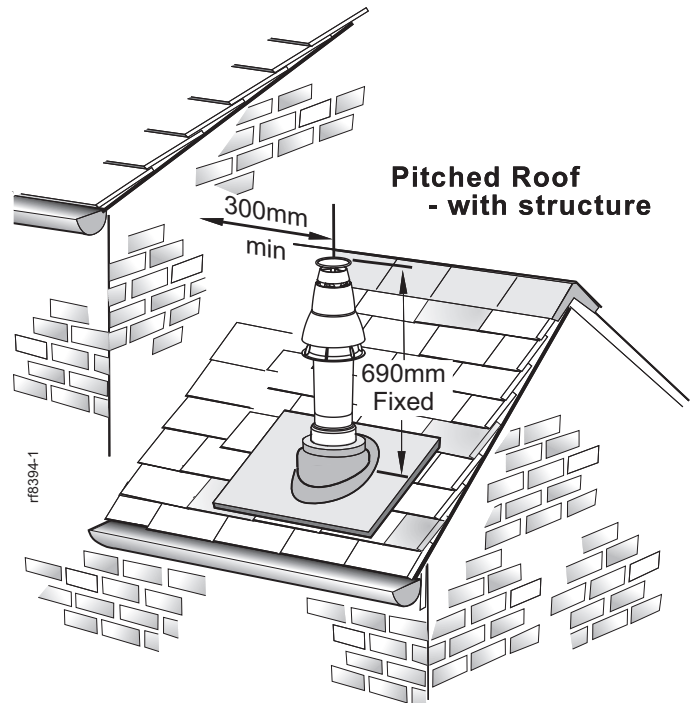
The terminal should be positioned so that products of combustion can safely disperse at all times.

Plumbing may occur at the termination so, where possible, terminal positions where this could cause a nuisance should be avoided.

Minimum dimensions are shown below



Flat roof - with structure



Pitched Roof - with structure

Terminal Position	Minimum Dimension
Directly below an opening, air brick, windows, etc.	300 mm
Below plastic / painted gutters	300 mm
Painted surface	300 mm
Below eaves or balcony	500 mm

INSTALLATION

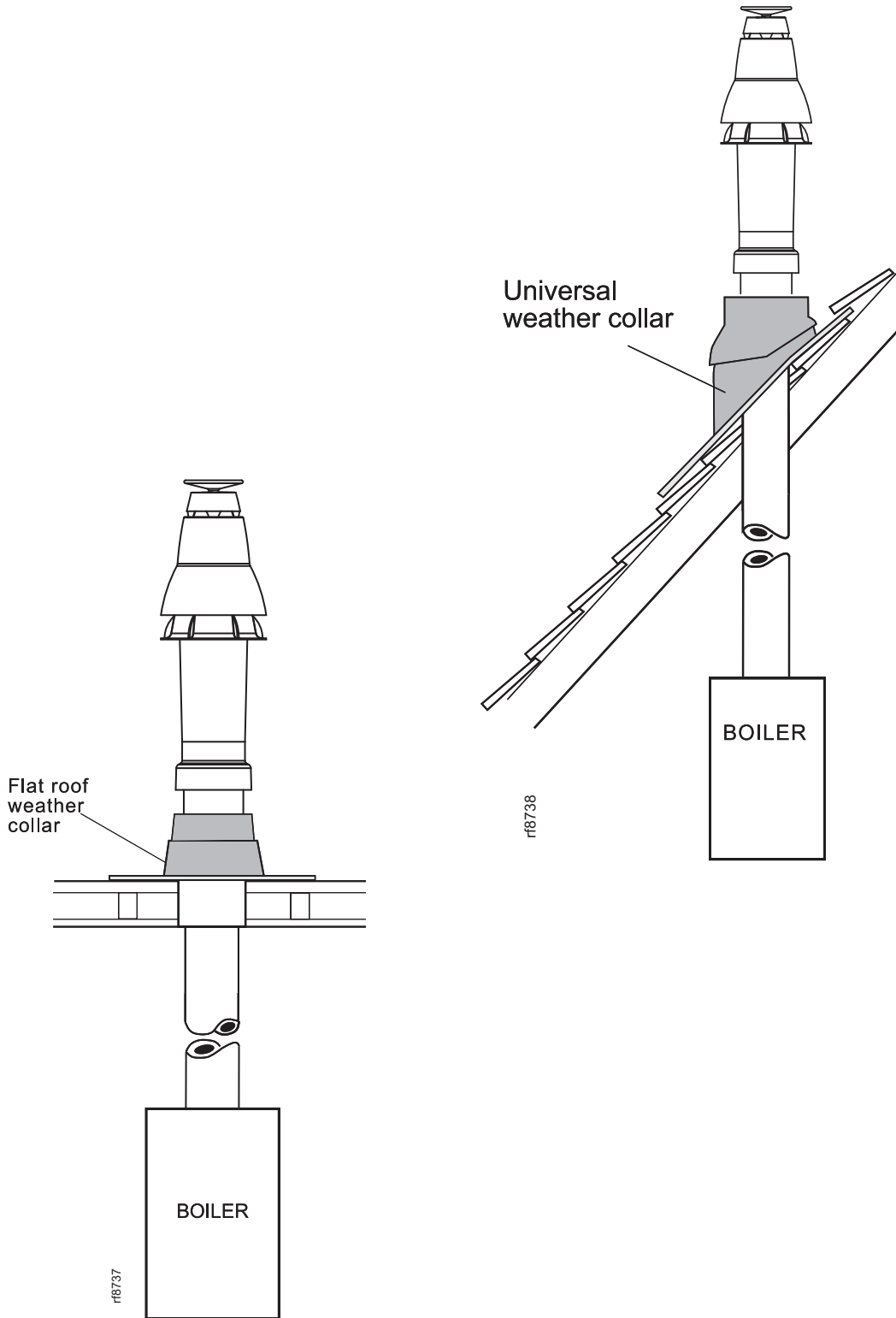
31 FLUE ARRANGEMENT

Note.

The equivalent flue length resistance of the elbow kits are:

90° elbow kit = 1m

45° elbow kit = 0.6m



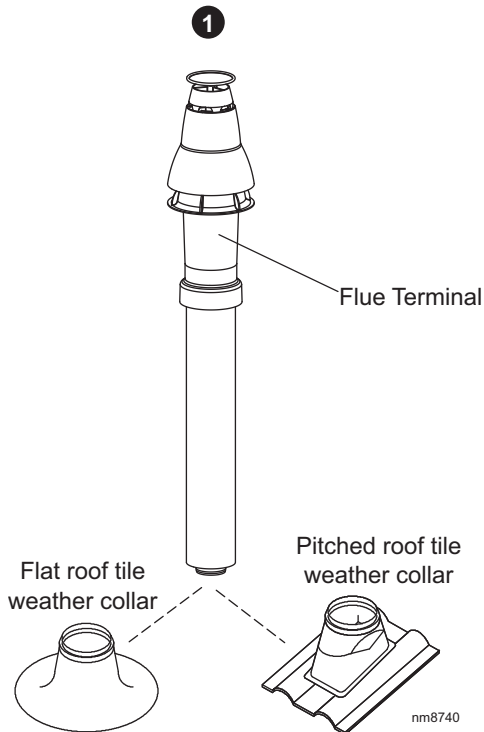
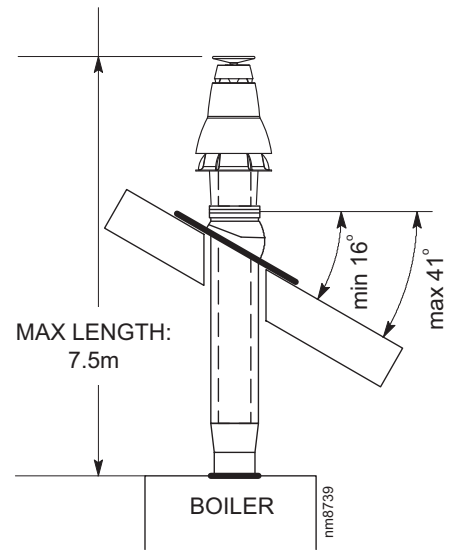
INSTALLATION

32 ASSEMBLING THE ROOF FLUE KIT

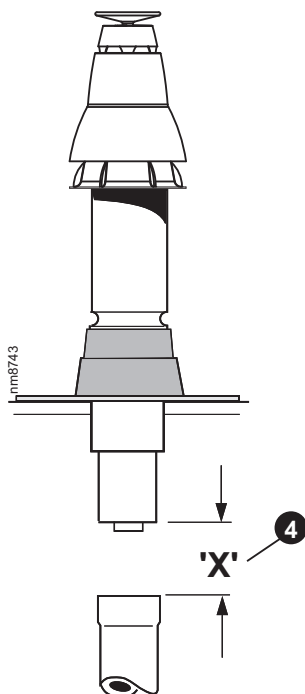
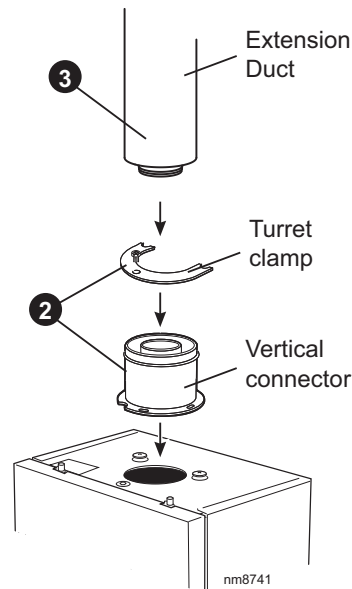
Determine the correct height that the flue should terminate above the roof. If after calculating or measuring the overall flue height from the top of the boiler, it is necessary to cut both pipes of assembly A, then ensure they are cut equally leaving the inner flue tube longer than the outer air tube as supplied.

Ensure the cut pipe ends are free from any burrs.

1. Position the roof flashing plate (supplied separately) over the hole cut in the roof and insert flue terminal from the roof end.



2. Push fit the vertical connector (supplied separately) into the boiler flue connection and retain with the turret clamp and securing screw (supplied with the boiler). **ENSURING THE GASKETS IN THE BOILER FLUE OUTLET ARE CORRECTLY FITTED.**
3. "Push" fit extension duct (if required (supplied separately)) into vertical connector.



4. If the last extension duct requires cutting, measure 'X', the distance (outer ducts), between the duct and the terminal and add 100 mm to this dimension. This gives the length of the last extension duct.

Note. Check the position of the inner flue duct relative to the outer duct on the assembled extension duct(s) and ensure the terminal flue duct is cut longer than the air duct to ensure engagement in the final flue duct seal.

5. Finally ensure the roof flashing plate is correctly sealed to the roof.

INSTALLATION

33 GAS CONNECTION

IMPORTANT. The gas service cock is sealed with a non-metallic fibre washer so must not be overheated when making capillary connections.

Refer to Frame 2 for details of the position of the gas connection.

For additional gas supply information refer to "Gas Supply" on page 8.

A boiler gas supply pipe length of 20m and not less than 15mm O.D. can be connected to the boiler via the gas service cock union.

Ensure that the gas supply pipe does not foul the boiler casing.

Refer to Frame 41 for details of the pressure test point position.

34 BOILER WATER CONNECTIONS

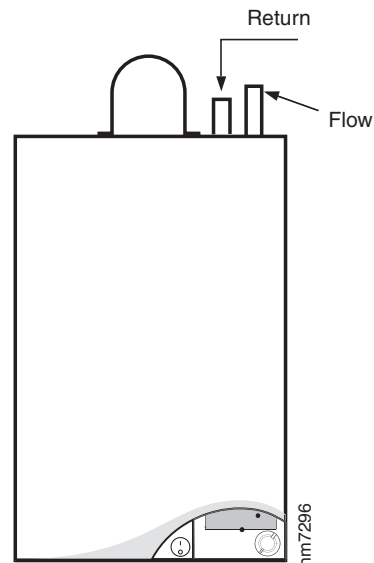
The boiler flow and return pipes are supplied fitted to the boiler and ready for top connection.

Note.

For heating loads in excess of 60 000 Btu/h use 28mm x 22mm connectors to connect the boiler flow and return pipes to 28mm.

TOP CONNECTION

Connect the system pipework to the boiler flow and return pipes.



Note.

The front panel is not fitted at this stage.

35 ELECTRICAL CONNECTIONS

WARNING. This appliance MUST be earthed.

A mains supply of 230 V ~ 50 Hz is required.

All external controls and wiring MUST be suitable for mains voltage.

The fuse rating should be 3 A.

Wiring external to the boiler MUST be in accordance with the current I.E.E. (BS.7671) Wiring Regulations and any local regulations.

Wiring should be 3 core PVC insulated cable NOT LESS than 0.75 mm² (24 x 0.2mm) and to BS. 6500, Table 16.

For IE reference should be made to the current ETCI rules for electrical installations.

Connection must be made in a way that allows complete isolation of the electrical supply - such as a double pole switch having a 3mm (1/8") contact separation in both poles, or a plug and socket serving only the boiler and system controls. The means of isolation must be accessible to the user after installation.

INSTALLATION

36 INTERNAL WIRING

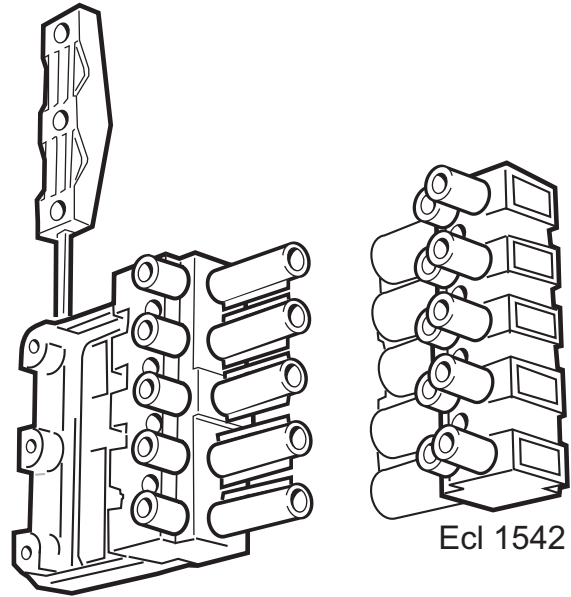
A pictorial wiring diagram is shown in Frame 37.

The mains lead connector is pre-fitted. This must be removed to allow wiring.

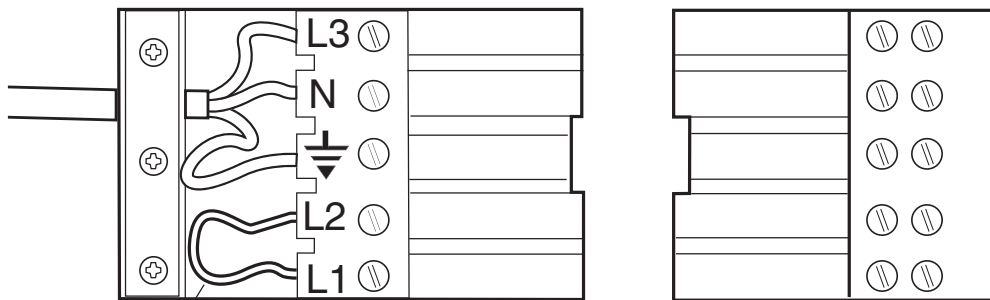
1. Route the mains cable into the bottom LHS rear of the casing. If using the stand-off kit then route through the grommet.
2. Wire a permanent live supply into the 5-way remote plug terminals L3, N and \perp .
- IMPORTANT.** A permanent live is ESSENTIAL in order for the advanced diagnostic controls to function correctly.
3. Wire the switched live supply into L2 or connect L1 and L2 via external control switching, as shown in Frame 32. In either case, remove the wire link fitted L1 to L2.
4. Secure the mains lead with the cable clamp.
5. Connect the mains lead connector. Ensure it is fully located.

Note.

Ensure that the lengths of the current carrying conductors are shorter than the earth conductor so that if the cable slips in its anchorage the current carrying conductors become taut before the earth conductor.



Incoming mains wiring detail



Remove link when connecting external programmer.

Mains Connector

(supplied in hardware pack)

Socket

(fixed to boiler)

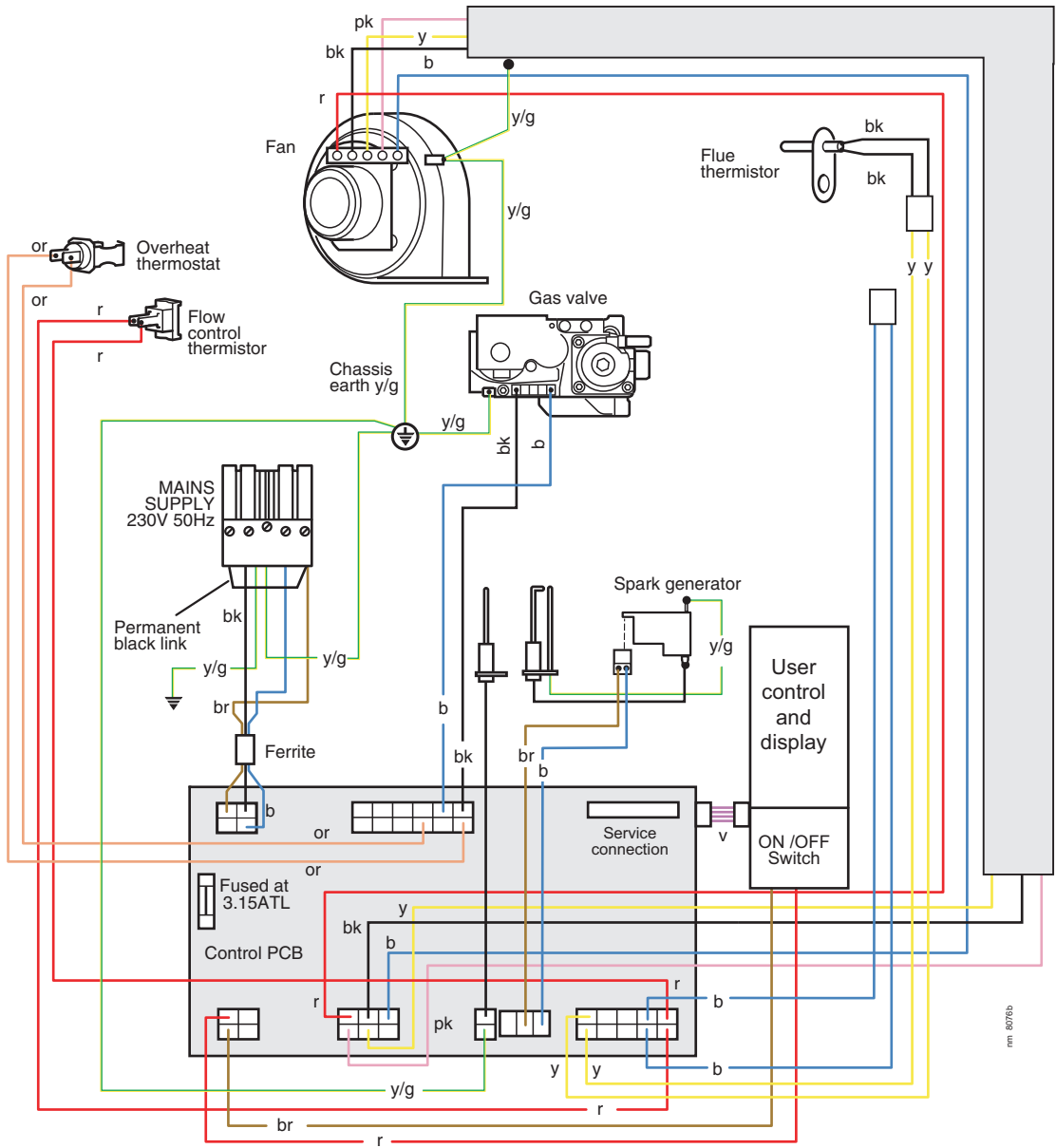
Ecl2367

INSTALLATION

37 PICTORIAL WIRING DIAGRAM

LEGEND

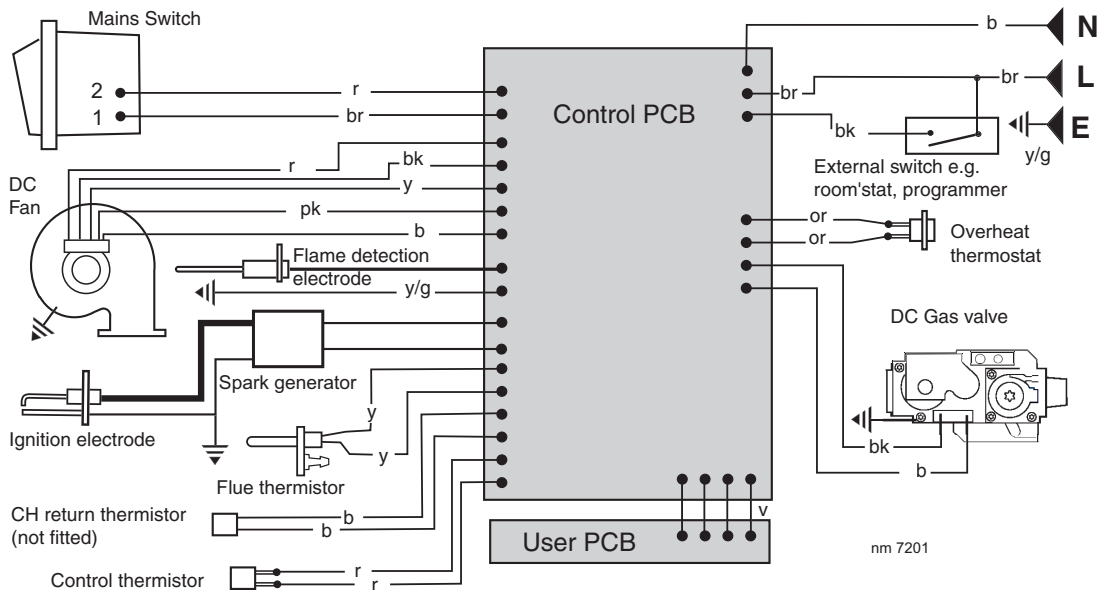
- b - blue
- bk - black
- br - brown
- gy - grey
- or - orange
- pk - pink
- r - red
- v - violet
- w - white
- y - yellow
- y/g - yellow/green



38 FUNCTIONAL FLOW WIRING DIAGRAM

LEGEND

- b - blue
- bk - black
- br - brown
- gy - grey
- or - orange
- pk - pink
- r - red
- v - violet
- w - white
- y - yellow
- y/g - yellow/green



INSTALLATION

INSTALLATION

39 EXTERNAL ELECTRICAL CONTROLS

Wiring external to the boiler MUST be in accordance with the current I.E.E. (BS.7671) Wiring Regulations and any local regulations.

For IE reference should be made to the current ETCI rules for electrical installations.

The fuse should be 3A.

Room Thermostat

If the thermostat has a neutral connection use it. (It provides for more energy efficient operation by reducing switching temperature differentials.)

Frost Protection

If parts of the pipework run outside the house or if the boiler will be left off for more than a day or so then a frost thermostat should be wired into the system. This is usually done at the programmer, in which case the programmer selector switches are set to OFF and all other controls MUST be left in the running position.

The frost thermostat should be sited in a cold place but where it can sense heat from the system.

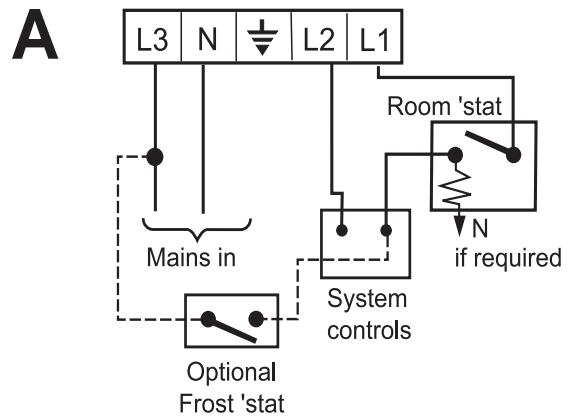
If the boiler is installed in a garage it may be necessary to fit a pipe thermostat, preferably on the return pipework.

Important. Ensure that the frost thermostat is wired so that the system pump and/or external diverter valve is energised, as appropriate.

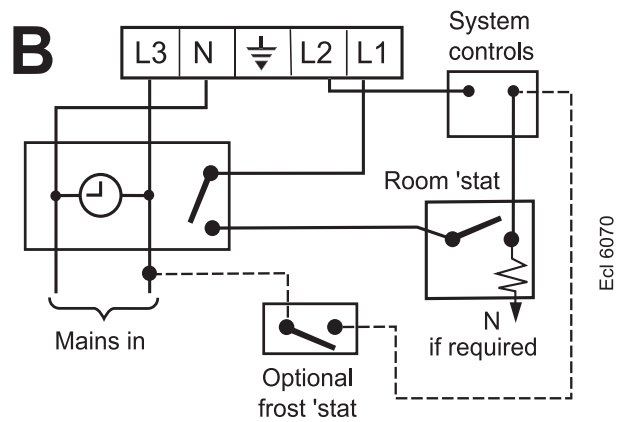
Designation of the terminals will vary but the programmer and thermostat manufacturers' leaflets will give full details.

Diagram A shows an application to boilers fitted with a room thermostat only.

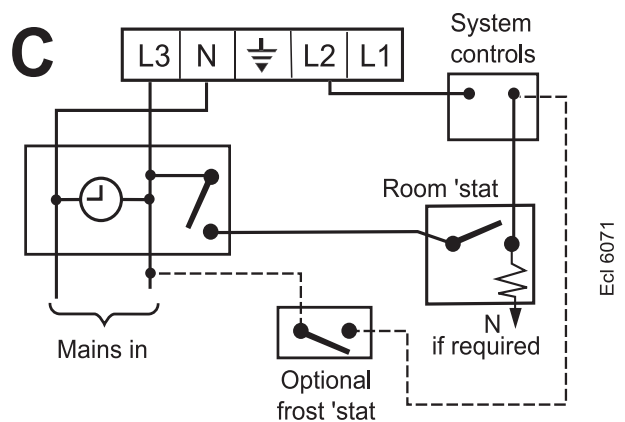
Diagrams B and C show applications to boilers fitted with alternative time controls.



nm 2919



Ecl 6070



Ecl 6071

Earths are not shown for clarity but MUST NEVER BE OMITTED.

40 COMMISSIONING AND TESTING

A. ELECTRICAL INSTALLATION

1. Checks to ensure electrical safety should be carried out by a competent person.
2. ALWAYS carry out the preliminary electrical system checks, i.e. earth continuity, polarity, resistance to earth and short circuit, using a suitable test meter.

B. GAS INSTALLATION

1. The whole of the gas installation, including the meter, should be inspected and tested for tightness and purged in accordance with the recommendations of BS. 6891. In IE refer to I.S. 813:2002.
2. Purge air from the gas installation by the approved methods only.

WARNING. Whilst effecting the required gas tightness test and purging air from the gas installation, open all windows and doors, extinguish naked lights and DO NOT SMOKE.

41 INITIAL LIGHTING

Note. Boiler is shown with the front panel and sealing panel removed.

LEGEND

- | | |
|--|--------------------------------------|
| A On/Off switch. | H Gas service cock. |
| B Thermostat knob. | J Casing pressure test point. |
| D 'Burner On' neon. | K Overheat thermostat. |
| E Reset button. | L Flue thermistor. |
| F Injector pressure test point. | M Flow thermistor. |
| G Inlet pressure test point. | Z Spark generator. |

1. Check that the system has been filled and that the boiler is not air locked.

Note.

It is important the burner is not operated before the system is fully vented of air. If it is necessary to operate the appliance pump to assist venting of the air this must be done with the gas service cock turned off.

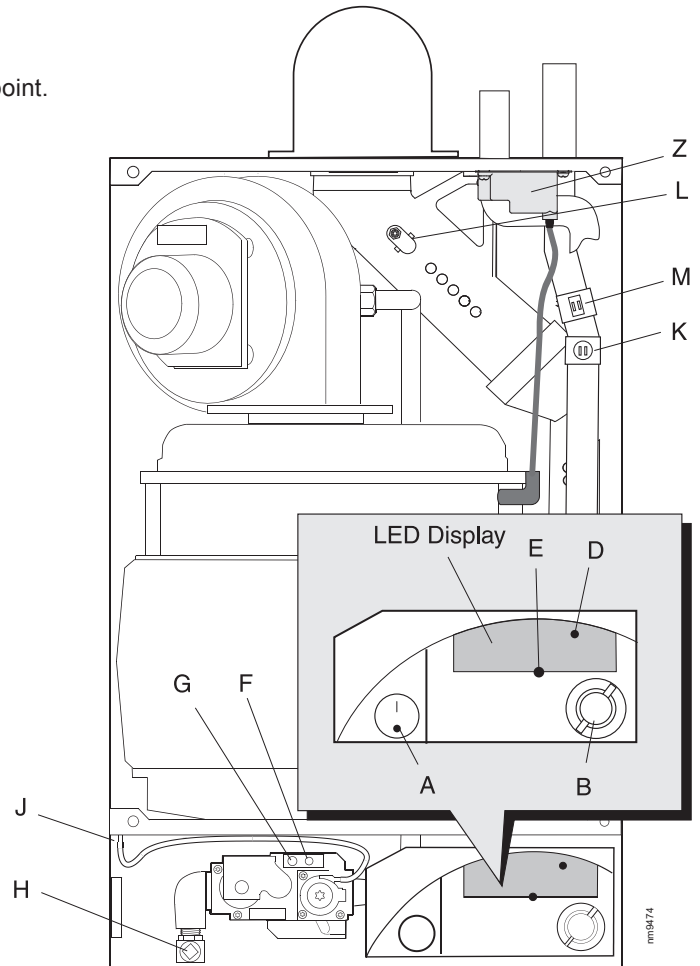
2. Check that all drain cocks are closed and any valves in the flow and return are open.
3. Check the electrical supply is off.
4. Ensure the boiler sealing panel is fitted.
5. Check the gas service cock is open.
6. Check that the boiler on/off switch (A) is OFF
7. Slacken the screw in the inlet pressure test point (G) and connect a gas pressure gauge via a flexible tube.
8. Switch the electricity supply ON and check all external controls are calling for heat.
9. Set the boiler thermostat knob (B) to position 6 and switch the boiler on/off switch (A) to ON. The boiler control should now go through its ignition sequence until the burner is established.
10. If the boiler does not light after 3 attempts the fault codes 'L' 'F' will be displayed. Press the reset button (E); the boiler will then repeat its ignition sequence. When the burner is established the WHITE burner ON neon (D) will be permanently illuminated
11. Ensure that with the boiler operating the dynamic gas pressure is able to obtain maximum output. Refer to Table 2.

For additional gas supply information refer to "Gas Supply" on page 8.

IMPORTANT.

The gas input to the burner is regulated by the gas valve according to the air flow produced by the fan. It is NOT user-adjustable. Any interference to sealed settings on the gas valve will adversely affect operation and render our warranty void.

12. Switch OFF the boiler on/off switch.
13. Remove the pressure gauge and tube. Tighten the sealing screw in pressure test point. Ensure a gas tight seal is made.
14. Refit the boiler front panel and bottom panel.



THE DISPLAY

The user control has one neon and one display to inform the user about the status: the display will show the status of the boiler and the neon will show the status of the flame. If no flame is detected the neon is blinking. When the flame is detected the neon will be lit permanently.

Below is a list with display function in normal operation.

- Standby. No demand for heat present.
- ⌋** Boiler is active for central heating.
- H** Boiler is in lockout for a specific error. The display will be blinking, alternating with a number or letter to show which error is detected.
- L** Boiler is in lockout for a specific error. The display will be blinking, alternating with a number or letter to show which error is detected.
- P** Boiler frost protection.

Note: Boiler frost protection occurs at a temperature less than 3 degrees. The boiler will fire.

42 GENERAL CHECKS

Make the following checks for correct operation:

1. Central Heating

The correct operation of ANY programmer and all other system controls should be proved. Operate each control separately and check that the main burner or circulating pump, as the case may be, responds.

Ensure the external controls are calling for heat. After ignition the display should read:

☾ ☀ - white neon on

2. Gas Rate

Operate the boiler for 10 minutes. Check the boiler gas rate (see Table 2), ensuring the boiler is at full output whilst measurements are recorded.

3. Water Circulation System

Knob Setting	Flow Temperature	
	°C	°F
Min	30	86
Max	82	180


- The temperatures quoted alongside are approximate, and vary between installations.

Note. *Fernox Superfloc, Sentinel X300 (new systems) or X400 (existing systems) flushing solutions should be used during the flushing procedure. Refer to Frame 9.*

- With the system HOT examine all water connections for soundness.
 - With the system still HOT, turn off the gas, water and electricity supplies to the boiler and drain down to complete the flushing process.
 - Refill and vent the system, add inhibitor (see Frame 9), clear all air locks and again check for water soundness. Adhere the water treatment warning label, supplied in the hardware pack, in a *prominent position* on the system, to prevent the use of incorrect water treatment additives.
 - Balance the system. Refer to Frame 4.
- Check the condensate drain for leaks and check that it is discharging correctly
 - Finally set the controls to the user's requirements.

43 HANDING OVER

After completing the installation and commissioning of the system the installer should hand over to the householder by the following actions:

- Hand the User's Instructions to the householder and explain his or her responsibilities under current Gas Safety (Installation and Use) Regulations or rules in force.
- Explain and demonstrate the lighting and shutting down procedures.
- The operation of the boiler and the use and adjustment of ALL system controls should be fully explained to the householder to ensure the greatest possible fuel economy consistent with household requirements of both heating and hot water consumption.
Advise the User of the precautions necessary to prevent damage to the system and to the building in the event of the system remaining inoperative during frosty conditions.
- Explain the function and the use of the boiler heating controls.
- Explain the function of the boiler fault mode.
Emphasise that if a fault is indicated the boiler should be turned off and a Gas Safe Registered Engineer consulted. In IE contact a Registered Gas Installer (RGII).
- Explain and demonstrate the function of time and temperature controls, radiator valves, etc., for the economic use of the system.
- If any programmer is fitted then draw attention to the Programmer User's Instructions and hand them to the householder.
- 

After installation and commissioning please complete the Benchmark Commissioning Checklist before handover to the customer.
For IE, it is necessary to complete a "Declaration of Conformity" to indicate compliance to I.S. 813:2002.
- IMPORTANT**
Stress the importance of regular servicing by a Gas Safe Registered Engineer and that a comprehensive service should be carried out AT LEAST ONCE A YEAR. In IE servicing work must be carried out by a Registered Gas Installer (RGII).

44 SERVICING SCHEDULE

For the very latest copy of literature for specification and maintenance practices visit our website www.idealboilers.com, where you will be able to download relevant information. N.B. Technical Bulletins are also available on our website.

WARNING. Always turn OFF the gas supply at the gas service cock, and switch OFF and disconnect the electricity supply to the appliance before servicing.

To ensure the continued safe and efficient operation of the appliance it is recommended that it is checked at regular intervals and serviced as necessary. The frequency of servicing will depend upon the installation condition and usage but should be carried out at least annually.

It is the law that any service work must be carried out by a Gas Safe Registered Engineer. In IE service work must be carried out by a Registered Gas Installer (RGI).

1. Light the boiler and carry out a pre-service check, noting any operational faults.
2. Clean the main burner.
3. Clean the heat exchanger & 'S' trap.
4. Check the condition of the combustion chamber insulation. Any cracked, damaged or displaced pieces should be replaced.

Ionisation probes are a serviceable component and require annual inspection and replacement if distorted.
5. Check the main injector for blockage or damage.
6. Wherever possible remove and clean the condensate 'S' trap (refer to Frame 44) and check the drain for blockage.
7. Check that the flue terminal is unobstructed and that the flue system is sealed correctly.

The servicing procedures are covered more fully in Frames 44-51 and MUST be carried out in sequence.

Note. In order to carry out either servicing or replacement of components the boiler front panel and sealing panel must be removed. Refer to Frames 44 and 45.

IMPORTANT.

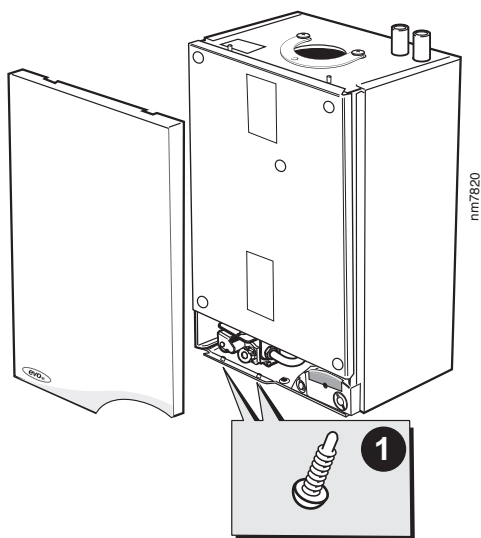
8. After completing the servicing or exchange of components always test for gas tightness.
9. When work is complete the sealing panel MUST be correctly refitted, ensuring that a good seal is made.

Do NOT OPERATE the boiler if the sealing panel is not fitted.

10. If, for any reason, the condensate 'S' trap has been removed ensure the trap is refilled with water before reassembling.
11. Check the gas consumption.
12. Connect a suitable gas analyser to the sampling point on the top of the boiler (refer to Frame 45) or into the flue terminal if access is possible (optional test). For correct boiler operation, the CO/CO₂ content of the flue gas should not be greater than 0.004 ratio.
13. Complete the service section in the Benchmark Commissioning Checklist.

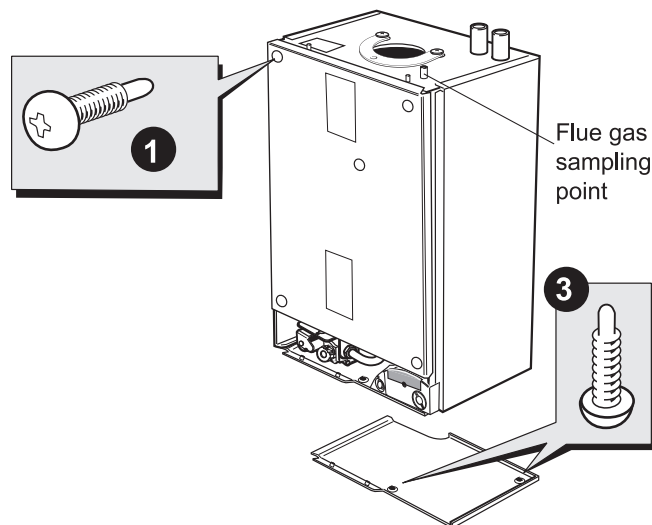
45 BOILER FRONT PANEL REMOVAL

1. Remove the 2 screws from the underside of the appliance.
2. Pull the front panel forward at the bottom and lift to disengage it from the top lugs.



46 BOILER SEALING PANEL/ BOTTOM PANEL REMOVAL

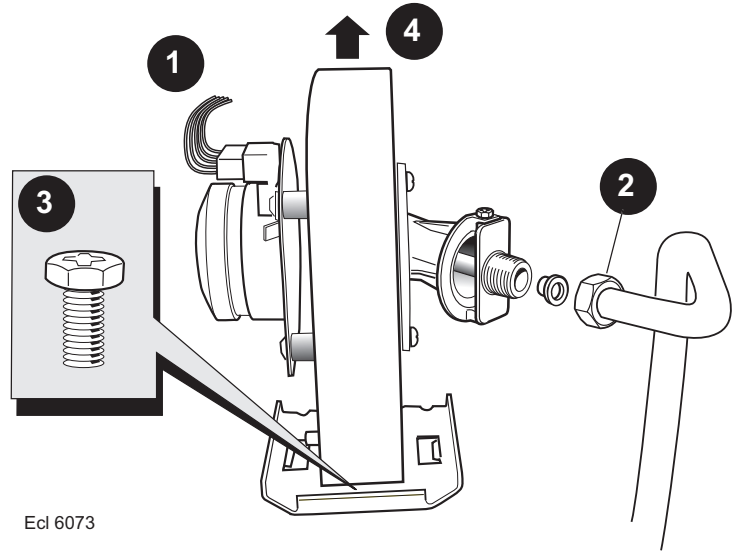
1. To remove the sealing panel remove the 4 screws.
2. Remove the panel.
3. To remove the bottom panel remove the 2 screws.
4. Pull the RH side of the panel down. Slide it to the right and withdraw.



SERVICING

47 FAN AND VENTURI ASSEMBLY REMOVAL AND CLEANING

1. Disconnect the electrical leads from the fan.
2. Undo the gas pipe union connection to the injector housing.
3. Undo the screw on the fan mounting bracket.
4. Lift off the fan and venturi assembly.
5. Inspect the injector for blockage or damage.



48 BURNER REMOVAL AND CLEANING

1. Remove the 6 screws securing the burner (the 3 screws at the rear are extended to ease access).
2. Lift off the burner from the combustion chamber.

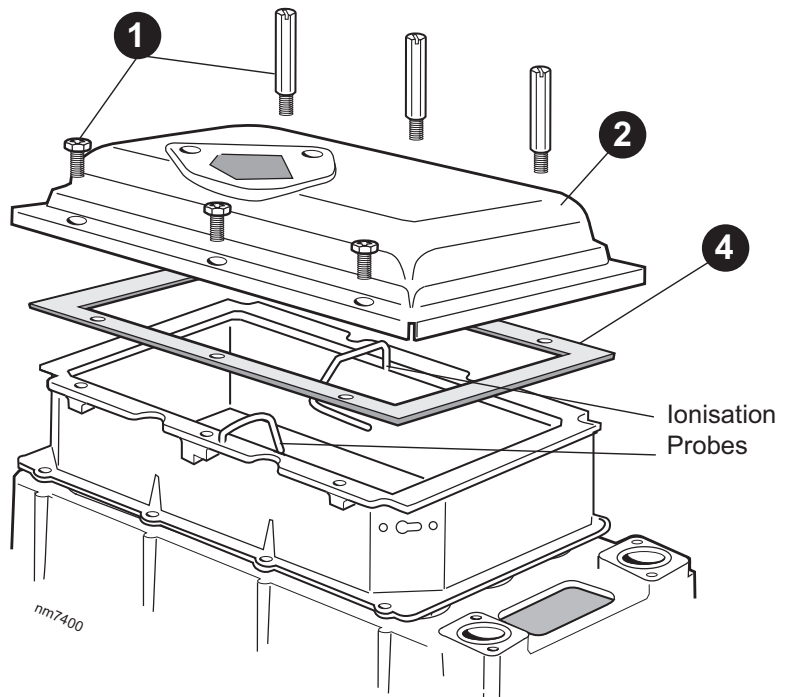
IMPORTANT

The burner head is a ceramic plaque construction. Care must be taken to ensure that **the burner is not placed down upon its face** as this may cause damage to the ceramic.

3. Brush off any deposits that may be on the ceramic with a SOFT brush.
4. Inspect the sealing gasket around the burner and combustion chamber insulation for any signs of damage. Replace as necessary.

Note.

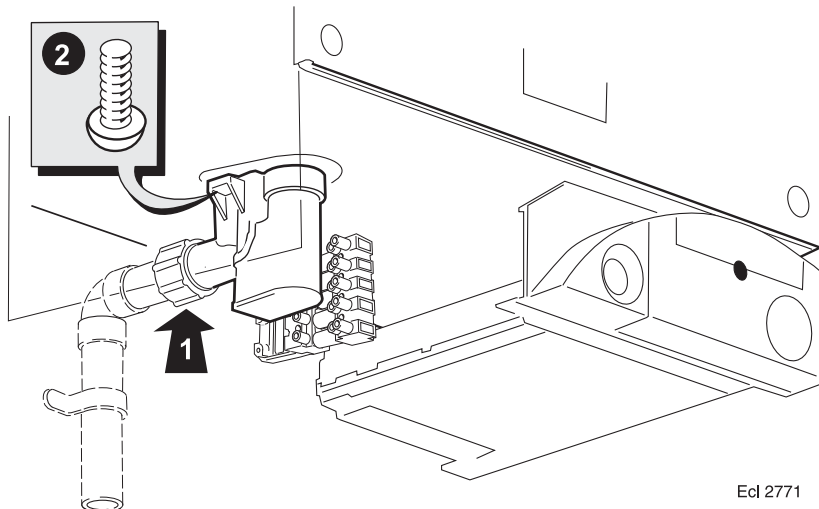
Take care not to disturb the ionisation probes at the front and rear of the combustion chamber.



SERVICING

49 CLEANING THE CONDENSATE 'S' TRAP

1. Undo the plastic union nut on the condensate 'S' trap outlet.
2. Remove the 2 screws.
3. Pull the trap down and forward to remove.
4. Flush out any deposits with clean water.

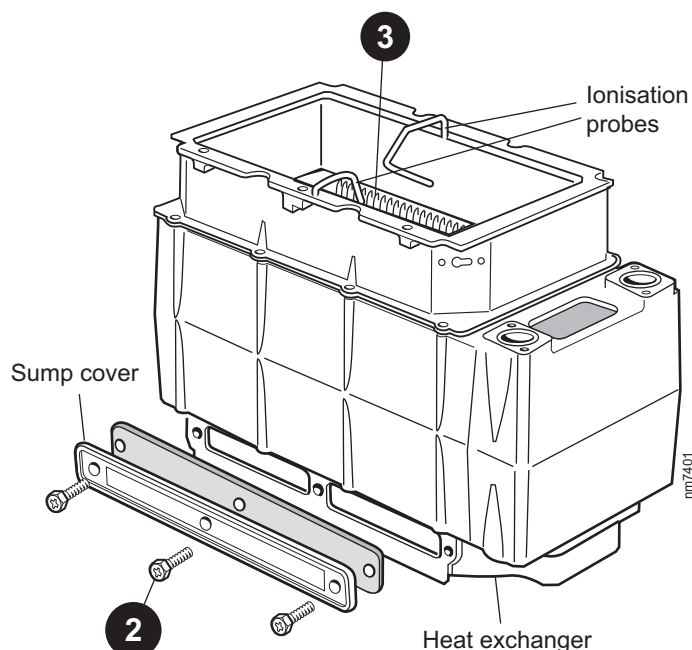


50 CLEANING THE HEAT EXCHANGER

1. Remove ignition and flame detection electrodes. Refer to Frames 56 & 57.
2. Remove the 3 screws retaining the sump cover and remove.
3. Using a suitable tool as supplied in the standard British Gas Flue brush kit, clean between the heat exchanger fins from the top of the heat exchanger.
4. Access to the base of the heat exchanger is now possible. Brush clean any deposits from the base of the heat exchanger and remove any loose deposits from the sump.
5. Inspect the ignition and detection electrodes. Ensure that they are clean and in good condition - replace if necessary.
6. Check the condition of the combustion chamber insulation. Any cracked or damaged pieces must be replaced.

Note. Take care not to disturb the ionisation probes at the front and rear of the combustion chamber.

7. Check that the ignition and detection gaps are correct. Refer to Frames 56 & 57.



51 REASSEMBLY

Reassemble the boiler in the following order.

1. Refit the condensate 'S' trap, ensuring that it is full of water.
2. Refit the sump cover plate.
3. Refit the electrodes (check dimensions Frames 56 & 57).
4. Refit the burner.
5. Refit the fan / venturi assembly.

6. Reconnect the fan electrical leads.

7. Refit the boiler sealing panel.

IMPORTANT.

Ensure the boiler sealing panel is correctly fitted and that a good seal is made.

8. Refit the boiler front and bottom panels.
9. Turn on the gas supply at the gas service cock.
10. Reconnect the electrical supply.

52 REPLACEMENT OF COMPONENTS

GENERAL

When replacing ANY component:

1. Isolate the electricity supply.
2. Turn off the gas supply.
3. Remove the boiler front panel. Refer to Frame 38.

After replacing ANY component check operation of the boiler including gas tightness, gas rate and combustion test.

IMPORTANT

When work is complete, the sealing panel must be correctly fitted, ensuring that a good seal is made.

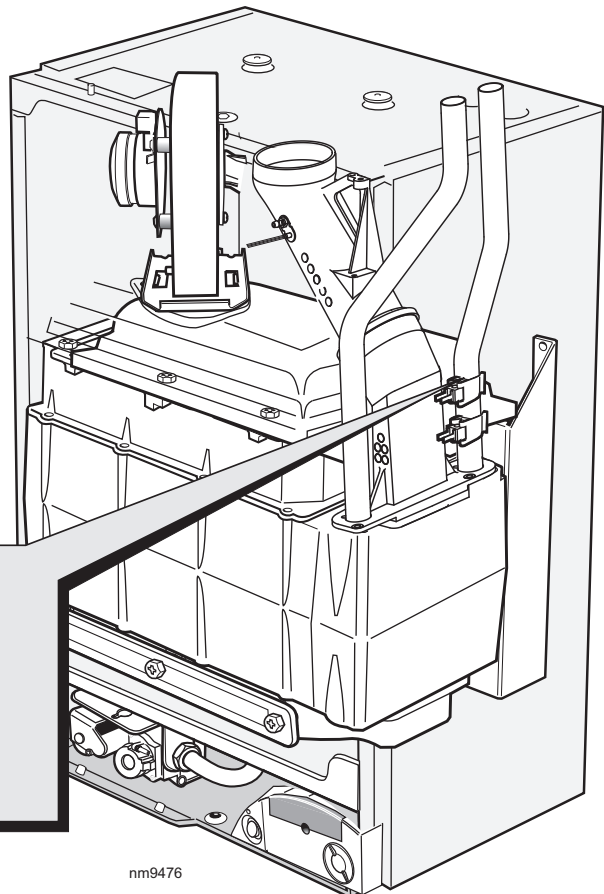
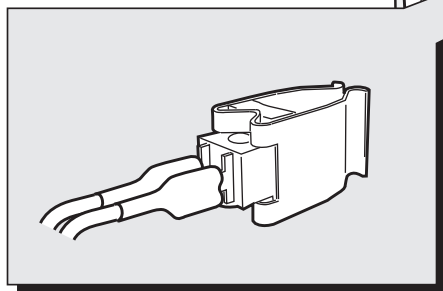
Note.

In order to assist fault finding, the control panel has an LED diagnostic display. The key to boiler fault conditions is shown in Frame 69.

THE BOILER MUST NOT BE OPERATED WITHOUT THE SEALING PANEL FITTED

53 CONTROL THERMISTOR REPLACEMENT

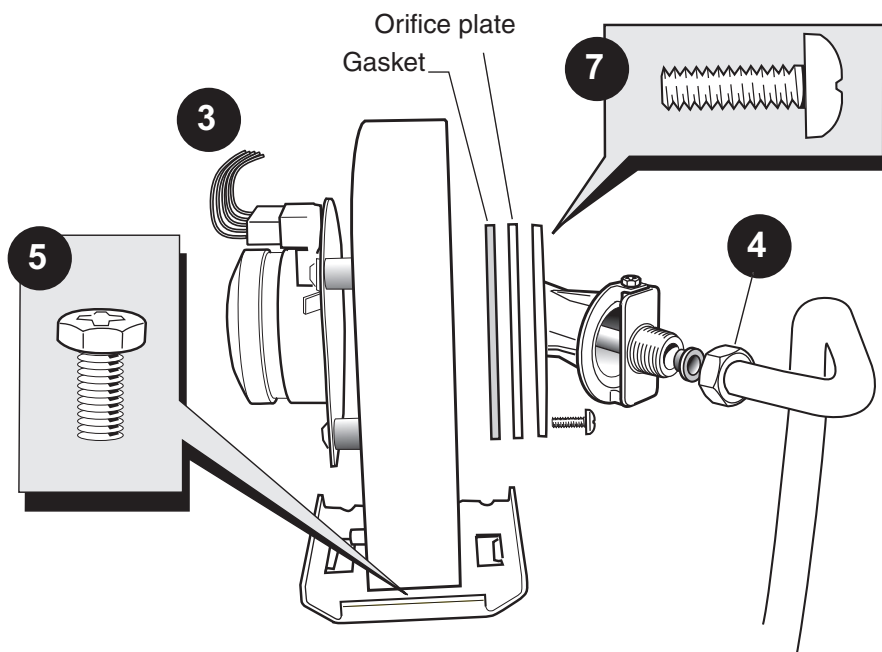
1. Refer to Frame 52.
2. Remove the boiler front and sealing panels. Refer to Frames 45 & 46.
3. Pull the electrical leads off the control thermistor.
4. Pull the control thermistor and spring clip off the flow pipe.
5. Replace thermistor and reconnect leads, ensuring that the spring clip is securely holding the thermistor to the flow pipe.
6. Reassemble the boiler in reverse order.
7. Check the operation of the boiler. Refer to Frame 52.



nm9476

54 FAN REPLACEMENT

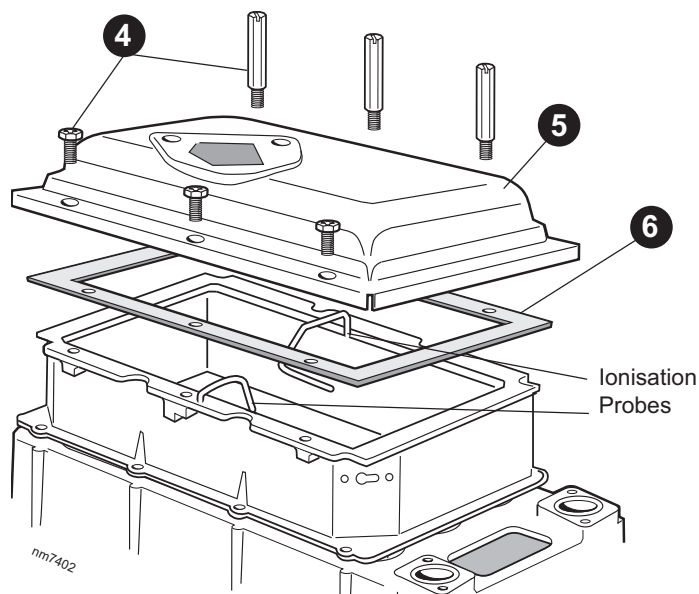
1. Refer to Frame 52.
2. Remove the boiler front and sealing panels. Refer to Frames 45 & 46.
3. Disconnect the electrical leads from the fan.
4. Unscrew the gas pipe union connection to the injector housing.
5. Unscrew and remove the screw retaining the fan mounting bracket.
6. Remove the fan and venturi assembly.
7. Remove the 3 screws and remove the venturi assembly, *noting the orientation of the venturi in relation to the fan body.*
8. Transfer the venturi assembly to the new fan, replacing the gasket if evidence of damage or deterioration is visible.
9. Fit the new fan / venturi assembly.
10. Reassemble the boiler in reverse order, taking care not to overtighten the screw on the fan mounting bracket.
11. Check the operation of the boiler. Refer to Frame 52.



Ecl 2336

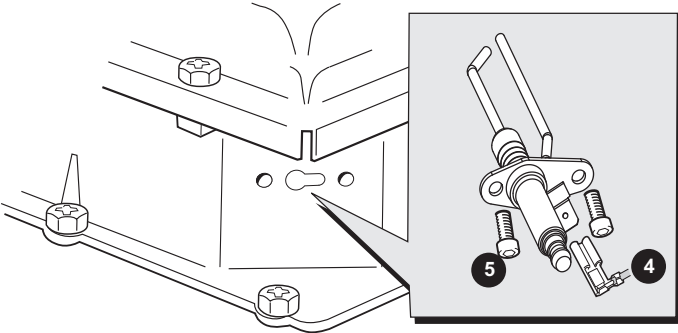
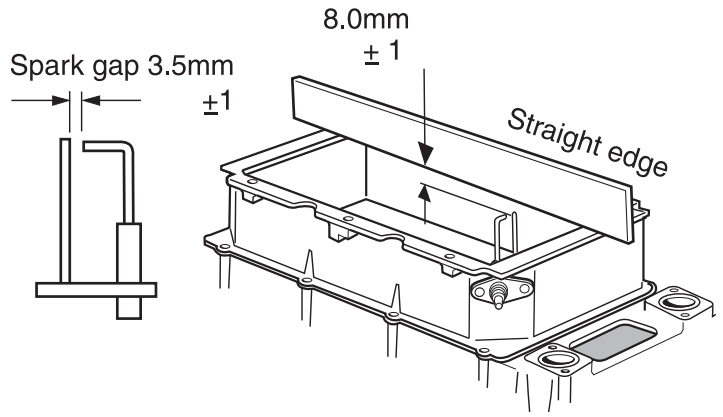
55 BURNER REPLACEMENT

1. Refer to Frame 52.
 2. Remove the boiler front and sealing panels. Refer to Frames 45 & 46.
 3. Remove the fan assembly. Refer to Frame 54.
 4. Remove the 6 screws securing the burner (the 3 screws at the rear are extended to ease access).
 5. Lift off the burner from the combustion chamber.
 6. Fit the new burner, replacing any damaged or deteriorating sealing gasket.
 7. Reassemble in reverse order.
 8. Check the operation of the boiler. Refer to Frame 52.
- Note.** *Take care not to disturb the ionisation probes at the front and rear of the combustion chamber.*



56 IGNITION ELECTRODE REPLACEMENT

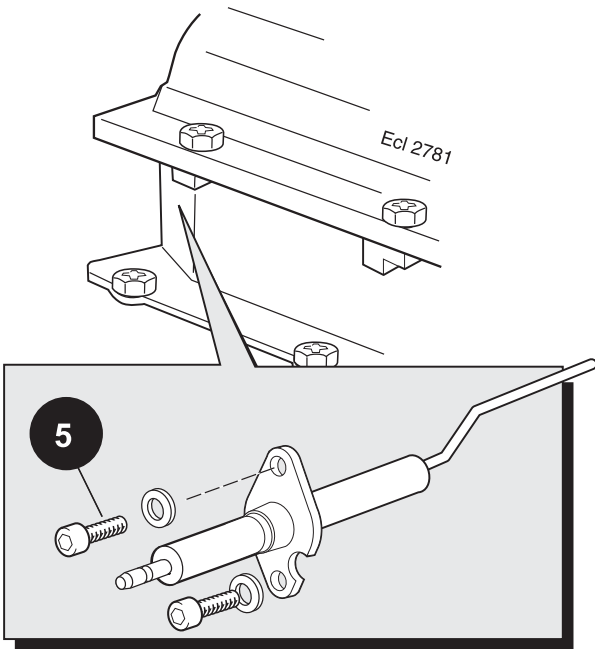
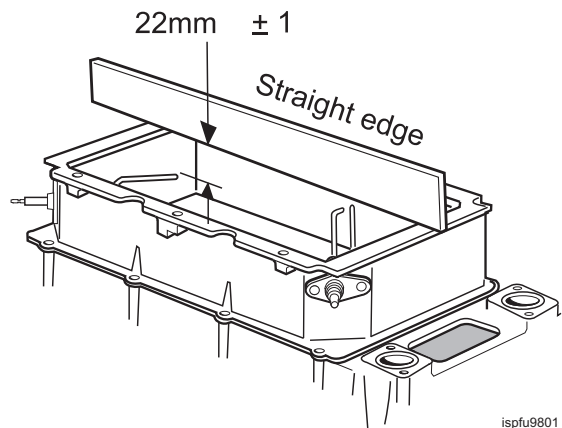
1. Refer to Frame 52.
2. Remove the boiler front and sealing panels. Refer to Frames 45 & 46.
3. Unplug the ignition lead from the electrode.
4. Remove the earth lead from the ignition electrode.
5. Remove the remaining screw holding the ignition electrode to the combustion chamber.
6. Remove the electrode.



7. Fit the new ignition electrode, using the new gasket supplied. Check dimensions as shown.
8. Reassemble in reverse order and check that no damage to the combustion chamber insulation has occurred during the electrode replacement.
9. Check operation of the boiler. Refer to Frame 52.

57 FLAME DETECTION ELECTRODE REPLACEMENT

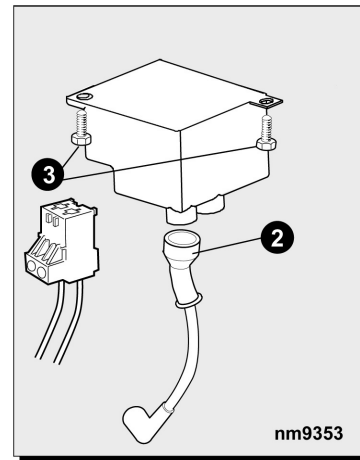
1. Refer to Frame 52.
2. Remove the boiler front, bottom & sealing panels. Refer to Frames 45 & 46.
3. Unplug the flame detection lead from the electrode.
4. Remove the 2 screws holding the flame detection electrode to the combustion chamber.



5. Remove the flame detection electrode.
6. Fit the new flame detection electrode, using the new gasket supplied. Check dimension as shown.
7. Reassemble in reverse order and check that no damage to the combustion chamber insulation has occurred during the electrode replacement.
8. Check operation of the boiler. Refer to Frame 52.

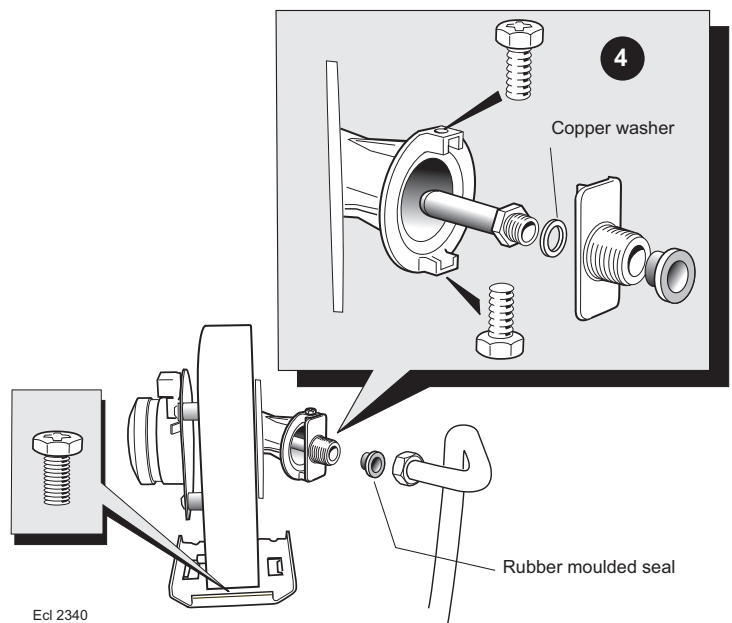
58 SPARK GENERATOR REPLACEMENT

1. Refer to Frame 57.
2. Disconnect the leads from the spark generator.
3. Remove the M4 screws securing the spark generator to the boiler chassis.
4. Fit the new spark generator and re-assemble in reverse order.
5. Check operation of the boiler. Refer to Frames 45 & 46.



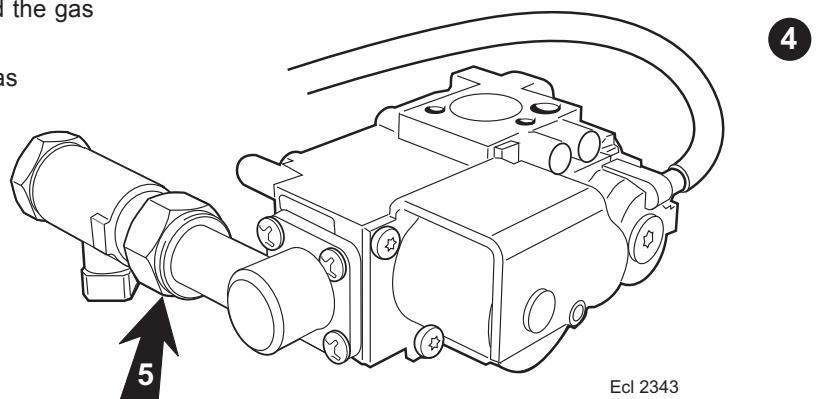
59 BURNER INJECTOR REPLACEMENT

1. Refer to Frame 52.
2. Remove the boiler front and sealing panels. Refer to Frames 45 & 46.
3. Remove the fan / venturi assembly. Refer to Frame 54.
4. Remove the 2 injector housing screws.
6. Withdraw the injector housing.
7. Fit the new injector housing, complete with injector.
8. Reassemble in reverse order, ensuring that the new gas seal supplied is located correctly in the injector housing.
9. Check operation of the boiler. Refer to Frame 52.



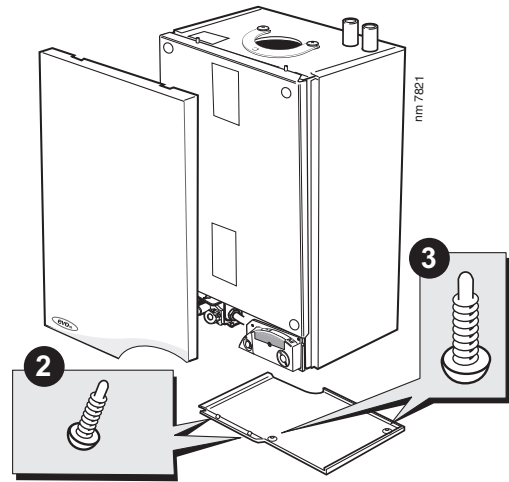
60 GAS CONTROL VALVE REPLACEMENT

1. Refer to Frame 52.
2. Remove the boiler front, bottom and sealing panels. Refer to Frames 45 & 46.
3. Unplug the electrical lead from the gas control valve and disconnect the earth wire.
4. Remove the sensing tube from the gas control valve.
5. Undo the union nut between the gas valve and the gas inlet cock.
6. Undo the union nut on the outlet side of the gas control valve.
7. Undo the gas valve bracket screw, slide the gas valve forward and remove.
8. Transfer the mounting bracket and gas inlet pipe to the new gas control valve.
9. Fit new gas control valve, ensuring that any seals showing damage or deterioration are replaced.
10. Reassemble in reverse order.
11. Ensure the sensing tubing is correctly replaced and not kinked or blocked in any way.
12. Check operation of the boiler. Refer to Frame 52.



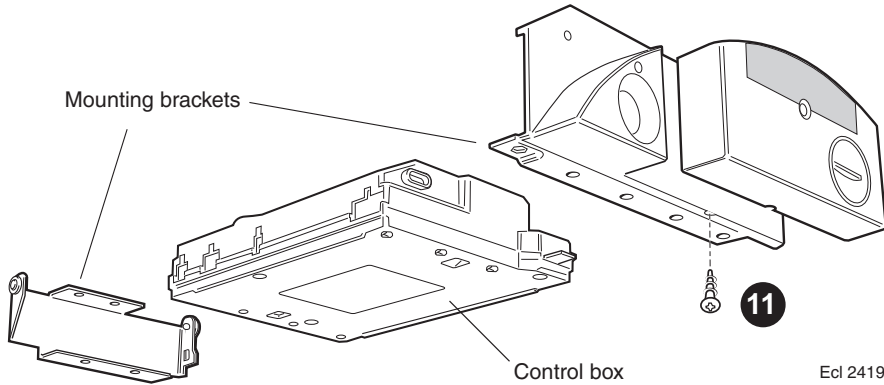
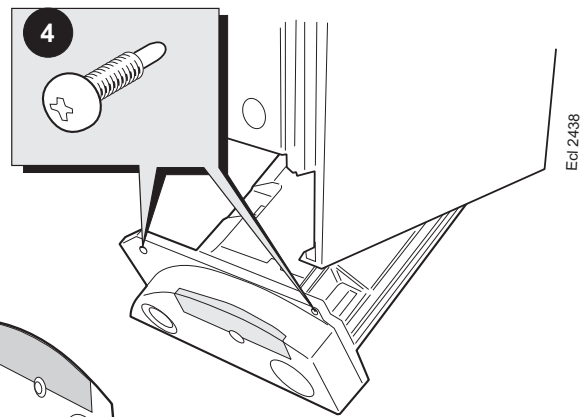
61 CONTROL BOX REPLACEMENT

1. Refer to Frame 52.
2. Remove the front panel.
3. Remove the bottom panel.
4. Remove the 2 control box screws.
5. Carefully unplug all the electrical wiring from the control box.
6. With the control box lowered, pull the assembly forward to remove from the housing.
7. Remove the user control from the assembly.
8. Transfer the mounting brackets to the new control box.
9. Reassemble in reverse order, ensuring that the control box is located correctly in the housing before reconnecting the electrical wiring.
10. Check operation of the boiler. Refer to Frame 52.



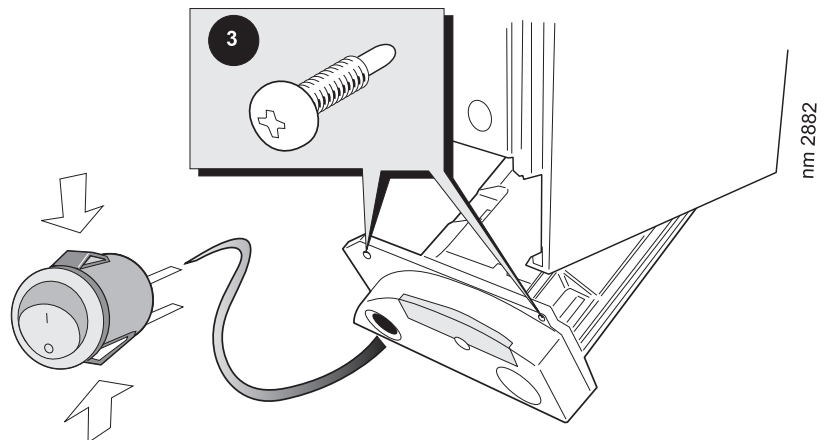
N.B. To change the user control only.

11. Loosen the screw on the underside of the user control.
12. Pull the display unit forward to remove.
13. Push the new display unit into position.
14. Reassemble in reverse order.
15. Check the operation of the boiler. Refer to Frame 52.



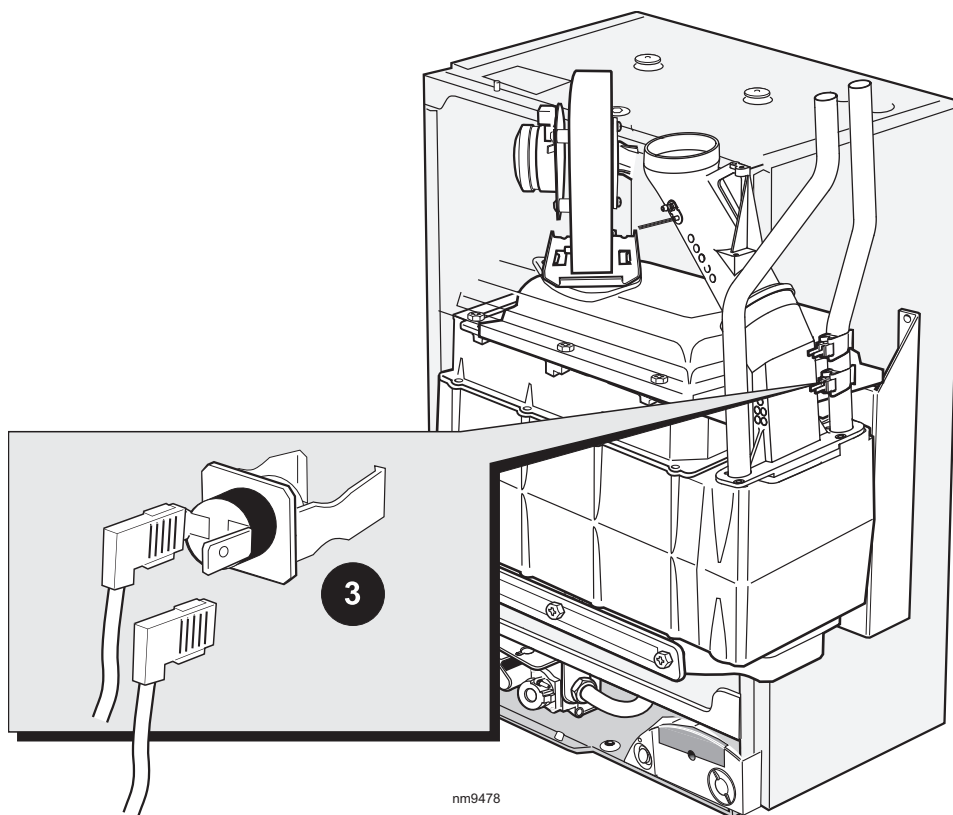
62 MAINS SWITCH REPLACEMENT

1. Refer to Frame 52.
2. Remove the boiler front and bottom panel. Refer to Frames 45 & 46.
3. Remove the 2 control box screws and lower the control box.
4. Push out the mains switch from the rear, as shown.
5. Refit the new switch, ensuring that the electrical leads are replaced on the correct terminals (refer to Frame 38) and the key on the switch is correctly aligned with the slot in the plastic moulding.
6. Reassemble in reverse order.
7. Check operation of the boiler. Refer to Frame 52.



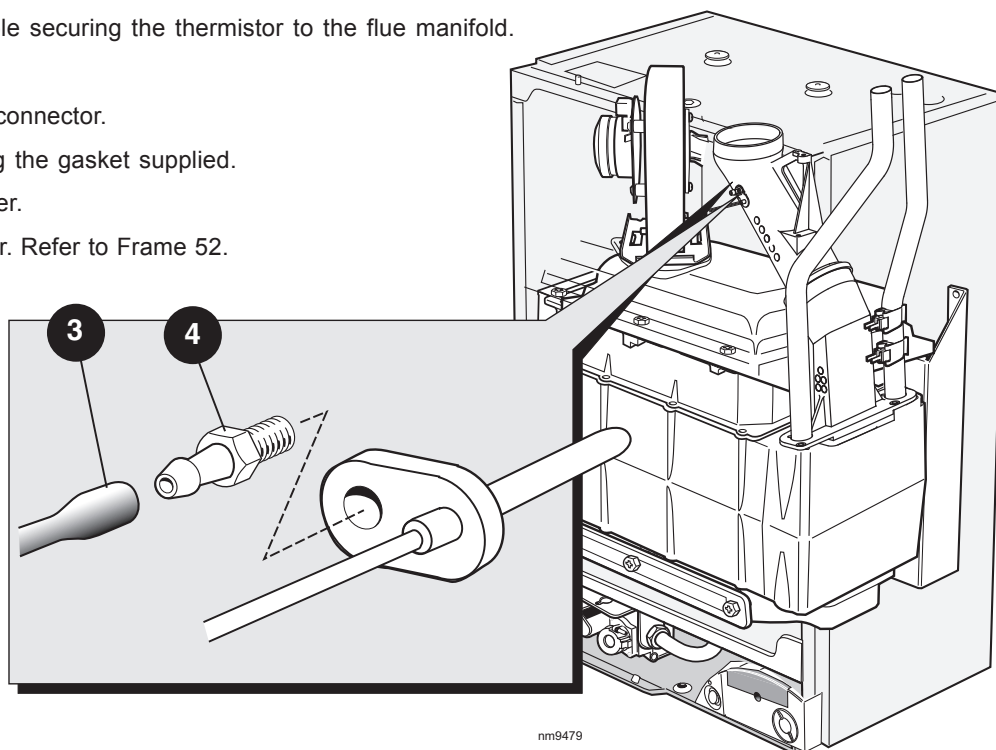
63 OVERHEAT THERMOSTAT REPLACEMENT

1. Refer to Frame 52.
2. Remove the boiler front and sealing panels. Refer to Frames 45 & 46.
3. Pull off the electrical leads from the thermostat body.
4. Pull the thermostat and clip from the pipe.
5. Fit the new thermostat, ensuring that the clip is securely holding the thermostat to the flow pipe.
6. Reassemble in reverse order.
7. Check operation of the boiler. Refer to Frame 52.



64 FLUE THERMISTOR REPLACEMENT

1. Refer to Frame 52.
2. Remove the boiler front and sealing panels. Refer to Frames 45 & 46.
3. Pull off the silicon tube from the thermistor housing.
4. Remove the aluminium nipple securing the thermistor to the flue manifold.
5. Withdraw the thermistor.
6. Unplug the inline electrical connector.
7. Fit the new thermistor, using the gasket supplied.
8. Reassemble in reverse order.
9. Check operation of the boiler. Refer to Frame 52.



65 COMBUSTION CHAMBER INSULATION REPLACEMENT

Ideal Stelrad Group recommends that, for your own comfort and safety and to comply with good working practice, the procedure described below is followed:

1. Refer to 'Replacement of Components' Frame.
2. Remove the boiler front and sealing panels. Refer to 'Boiler Front Panel Removal' and 'Boiler Sealing Panel Removal' Frame.
3. Remove the fan / venturi assembly. Refer to 'Fan and Venturi Assembly removal and cleaning' Frame.
4. Remove the burner. Refer to 'Burner removal and cleaning' Frame.
5. Remove the ignition electrode. Refer to 'Ignition Electrode replacement' Frame.
6. Remove the flame detection electrode. Refer to 'Flame Detection electrode replacement' Frame.
7. Remove the front and rear ionisation probes and discard.

Prior to removal of the insulation piece the following protective equipment should be worn:

- Face mask supplied with the spare part.
- Gloves supplied with the spare part.

8. Damp down the combustion chamber area containing the insulation piece.
9. Remove the insulation piece. The replacement one piece insulation is supplied in a plastic bag, this bag should be retained and the discarded insulation should now be placed into it.
10. Sweep any dampened particles and place in the plastic bag.

11. Fit new insulation piece -

- (a) Locate and align the insulation with the electrode holes and position the insulation into the combustion chamber.
- (b) Push the flexible material into the corners of the combustion chamber ensuring it is flat and flush against the combustion chamber wall.
- (c) Interlock the insulation piece along the back wall of the combustion chamber.
- (d) Again push the flexible material into the corners of the combustion chamber ensuring it is flat and flush against the combustion chamber wall.
- (e) Secure the insulation by replacing the ionisation probes with those supplied in the kit. Note that ionisation probes are a serviceable component and require inspecting annually.

Note. The insulation is designed to be interlocking and should be fitted as shown.

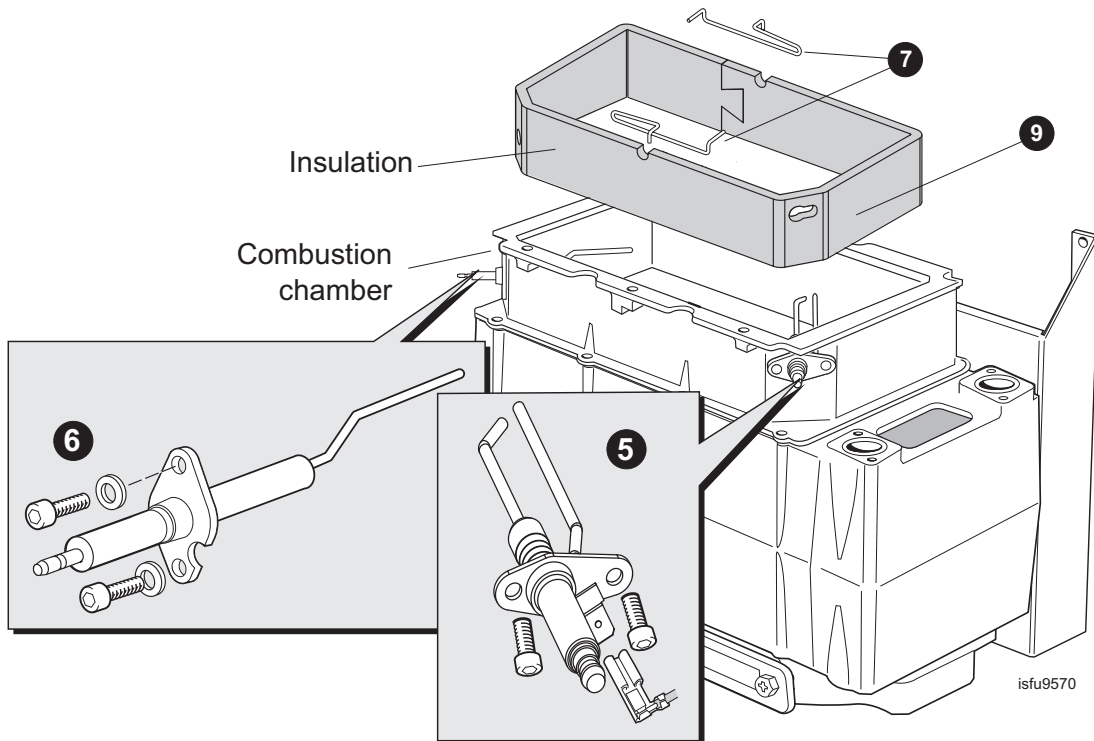
12. Remove the gloves and face mask and place them in the plastic bag.

13. Wash your hands and any areas of skin which may have come into contact with any of the particles from the insulation piece.

Note. Seal the plastic bag and dispose of it and its contents into a commercial tip.

14. Reassemble in reverse order.

15. Check operation of the boiler. Refer to 'General Checks' Frames.



66 HEAT EXCHANGER REPLACEMENT

Refer also to Frame 10, 'Boiler exploded view'.

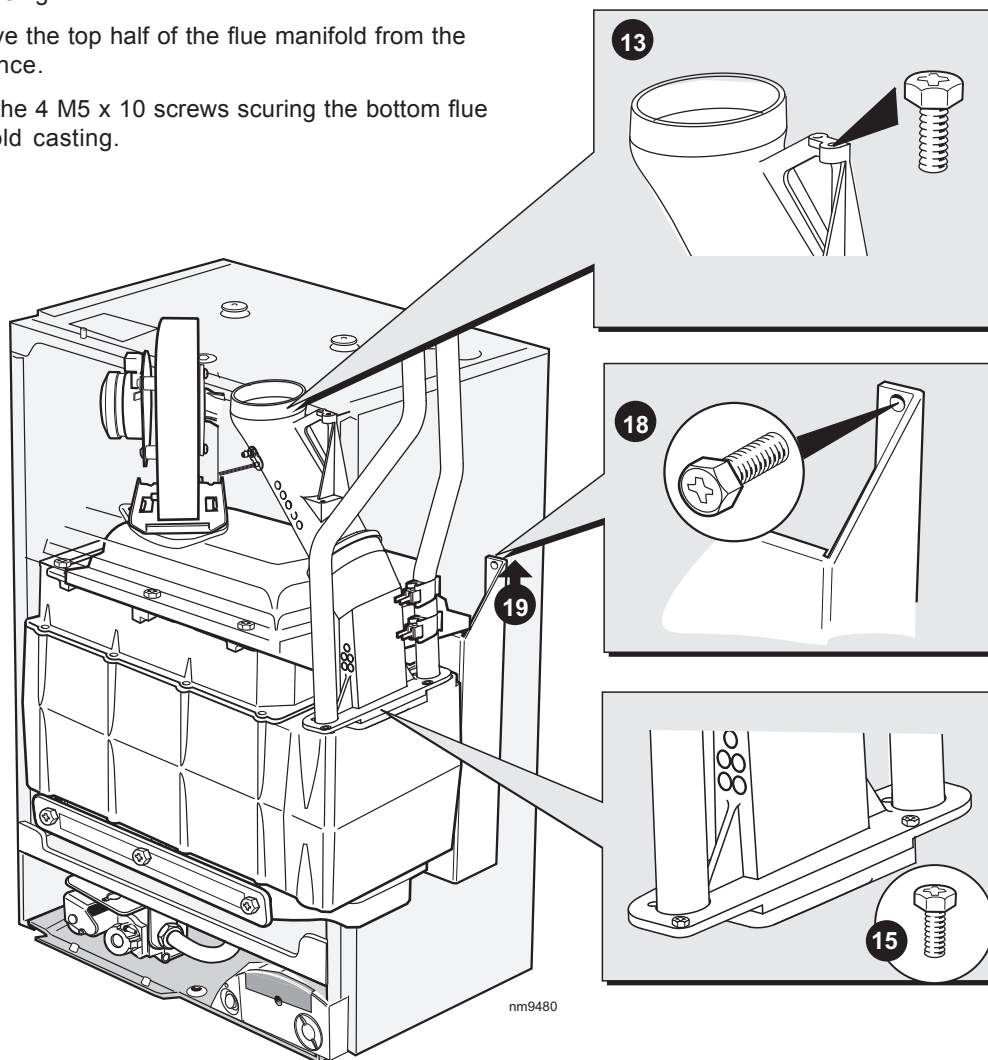
1. Refer to Frame 52.
2. Remove front, bottom and sealing panels. Refer to Frames 45 & 46.
3. Remove the control box and place to one side. Refer to Frame 61.
4. Attach a length of hose to the drain nipple on the bottom of the heat exchanger and drain down the boiler.
5. Remove the fan assembly and place to one side. Refer to Frame 54.
6. Remove the burner and place to one side. Refer to Frame 47.
7. Remove the ignition and detection electrodes. Refer to Frames 56 & 57.
8. Remove the spark generator. Refer to Frame 58.
9. Release the flue from the turret.
10. Remove the turret from the boiler. Refer to Frame 15.
11. Release the silicon tubing from the sample point.
12. Release the electrical connections to the flue thermistor.
13. Unscrew the M5 x 10 screw retaining the top manifold flue casing.
14. Remove the top half of the flue manifold from the appliance.
15. Undo the 4 M5 x 10 screws securing the bottom flue manifold casting.

16. Pull the CH return pipe, CH flow pipe and the bottom flue manifold together up and out of the heat exchanger.
17. Remove the condensate 'S' trap. Refer to Frame 49.
18. Unscrew the 2 M5 x 10 screws from the inter panel.
19. Slide the heat exchanger and inter panel assembly upwards to disengage and remove from the casing.
20. Transfer the interpanel to the new heat exchanger.
21. Reassemble in reverse order, replacing gaskets or seals if any sign of damage or deterioration is evident.

Note.

The heat exchanger is supplied with new combustion chamber insulation boards. These should be fitted (refer to Frame 60) before the burner and fan assembly and before the ignition and detection electrodes are replaced.

25. Check the operation of the boiler. Refer to Frame 52.



SERVICING

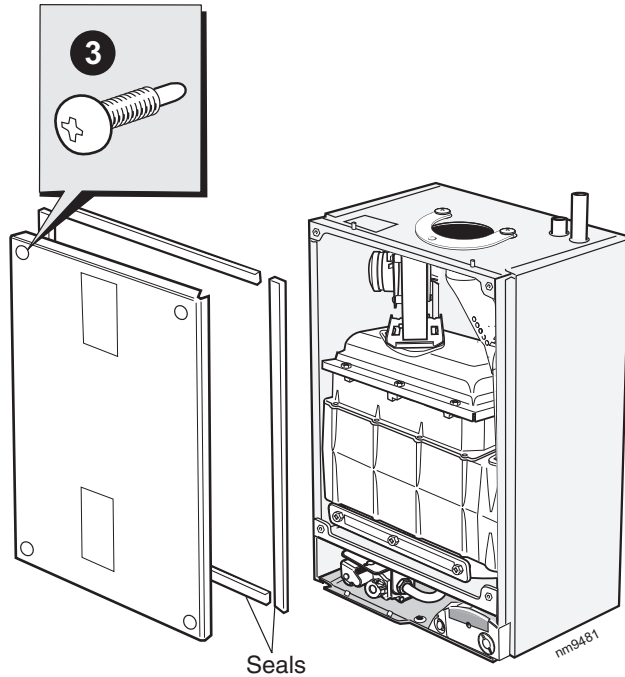
67 BOILER SEALING PANEL SEAL REPLACEMENT

1. Refer Frame 52.
2. Remove the front panel. Refer to Frame 45.
3. Remove the boiler sealing panel. Refer to Frame 46.
4. Remove the old seal from the casing and thoroughly clean the casing surfaces.
5. Fit the new adhesive seals - note that they are supplied to the correct length for the relevant sides.
6. Reassemble in reverse order.

Note.

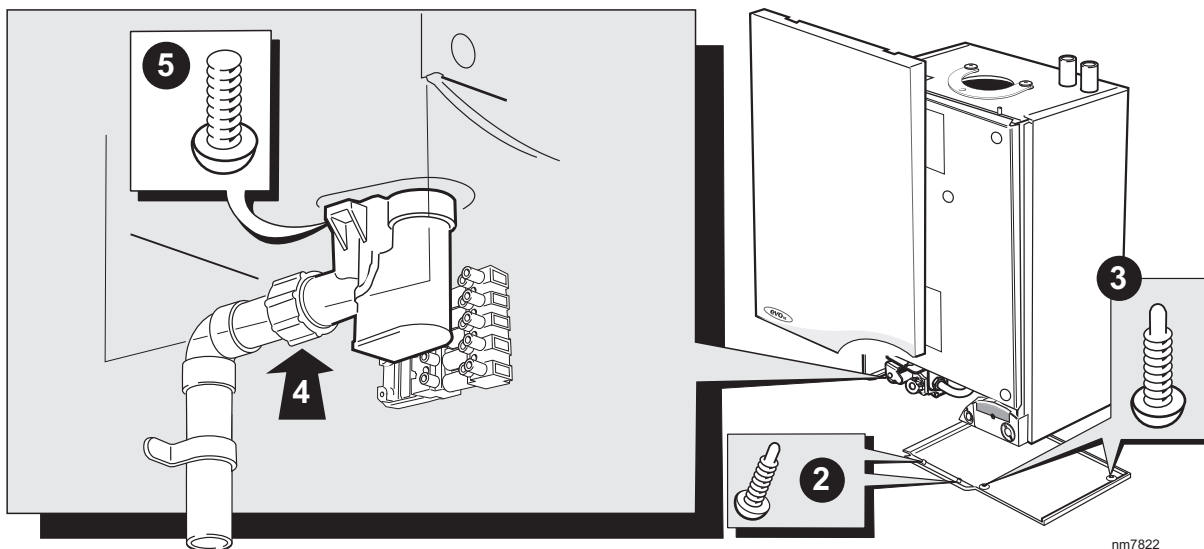
Ensure that the boiler sealing panel is correctly seated, compressing the seal to make an airtight joint.

7. Check operation of boiler. Refer to Frame 52.



68 CONDENSATE 'S' TRAP REPLACEMENT

1. Refer to Frame 52.
2. Remove the boiler front panel. Refer to Frame 45.
3. Remove the boiler bottom panel. Refer to Frame 46.
4. Undo the plastic union nut on the condensate 'S' trap outlet.
5. Remove the 2 screws.
6. Pull the trap down and forward to remove.
7. Reassemble in reverse order, ensuring that the new trap is full of water.
8. Check operation of the boiler. Refer to Frame 52.



FAULT FINDING

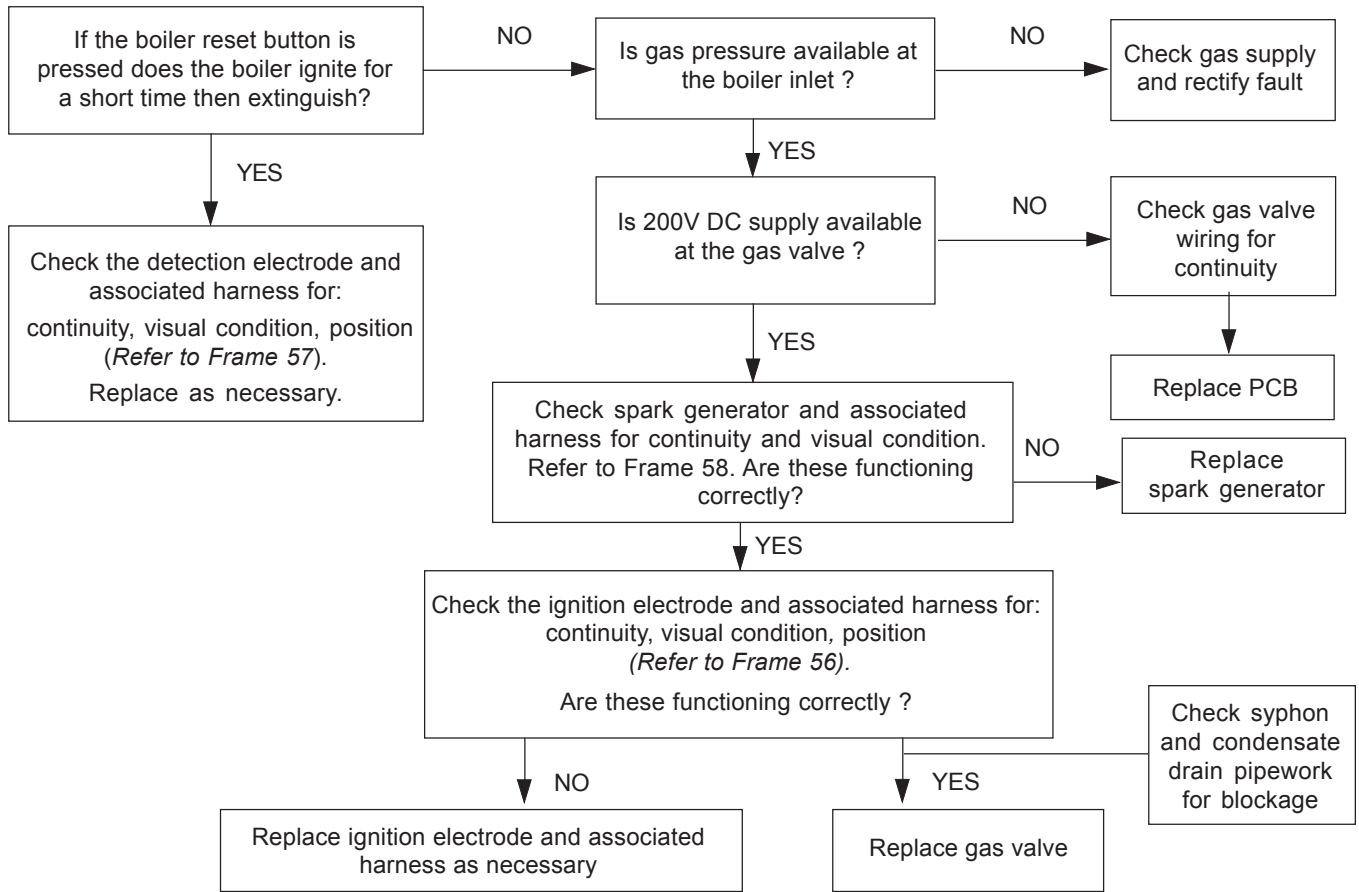
69 FAULT FINDING CHART MAIN MENU

In order to assist fault finding the boiler has an LED diagnostic display. The key to the display codes is as follows:

ALTERNATING 'L' 'F'	GO TO FRAME 70
ALTERNATING 'L' 'E'	GO TO FRAME 71
ALTERNATING 'L' 'A'	GO TO FRAME 72
ALTERNATING 'L' '8'	GO TO FRAME 73
ALTERNATING 'H' '1'	GO TO FRAME 74
ALTERNATING 'H' 'F'	GO TO FRAME 75
ALTERNATING 'H' '4'	GO TO FRAME 76
ALTERNATING 'H' 'n'	GO TO FRAME 77
ALTERNATING 'H' 'E'	GO TO FRAME 71
ALTERNATING 'H9'	GO TO FRAME 76
ALTERNATING 'L9'	GO TO FRAME 76

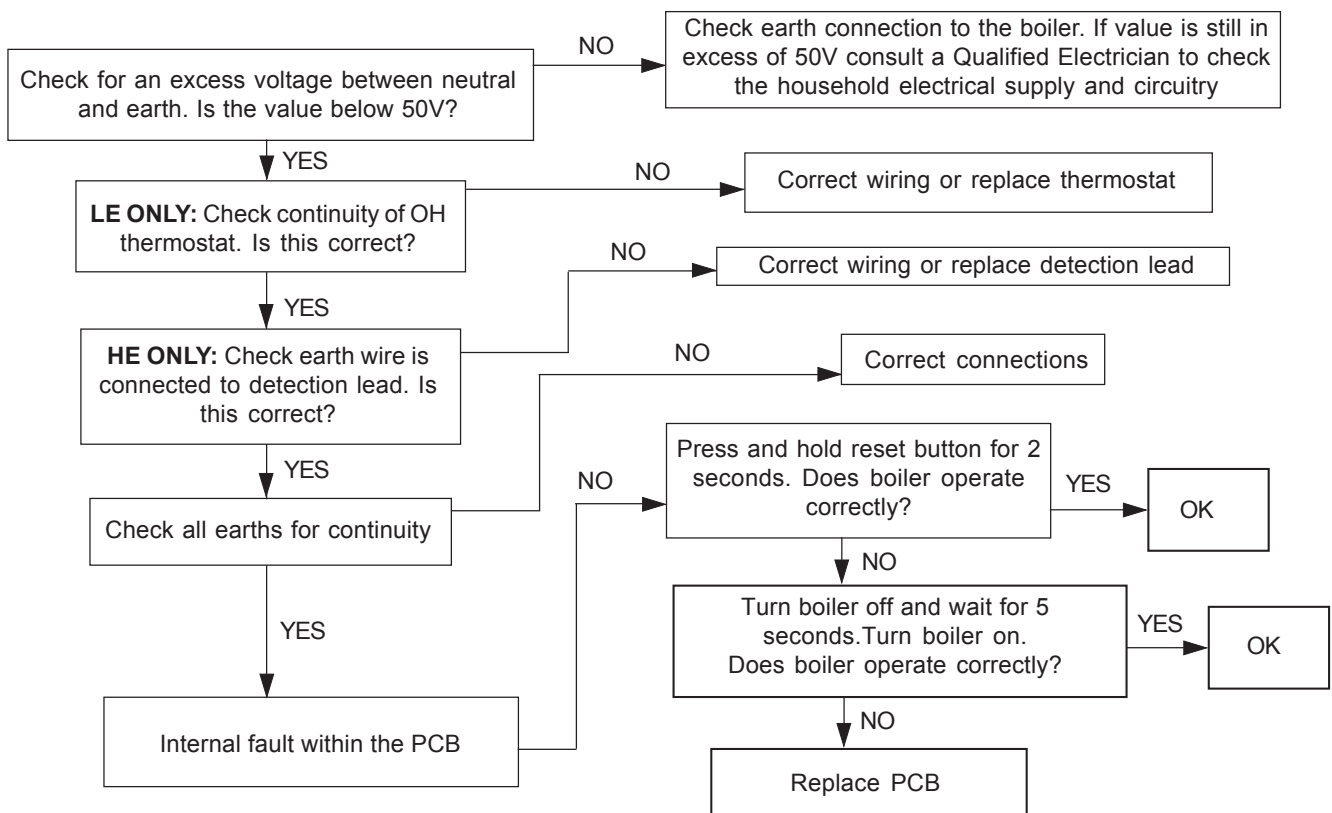
FAULT FINDING

70 L.....F..... (FLAME ERROR)



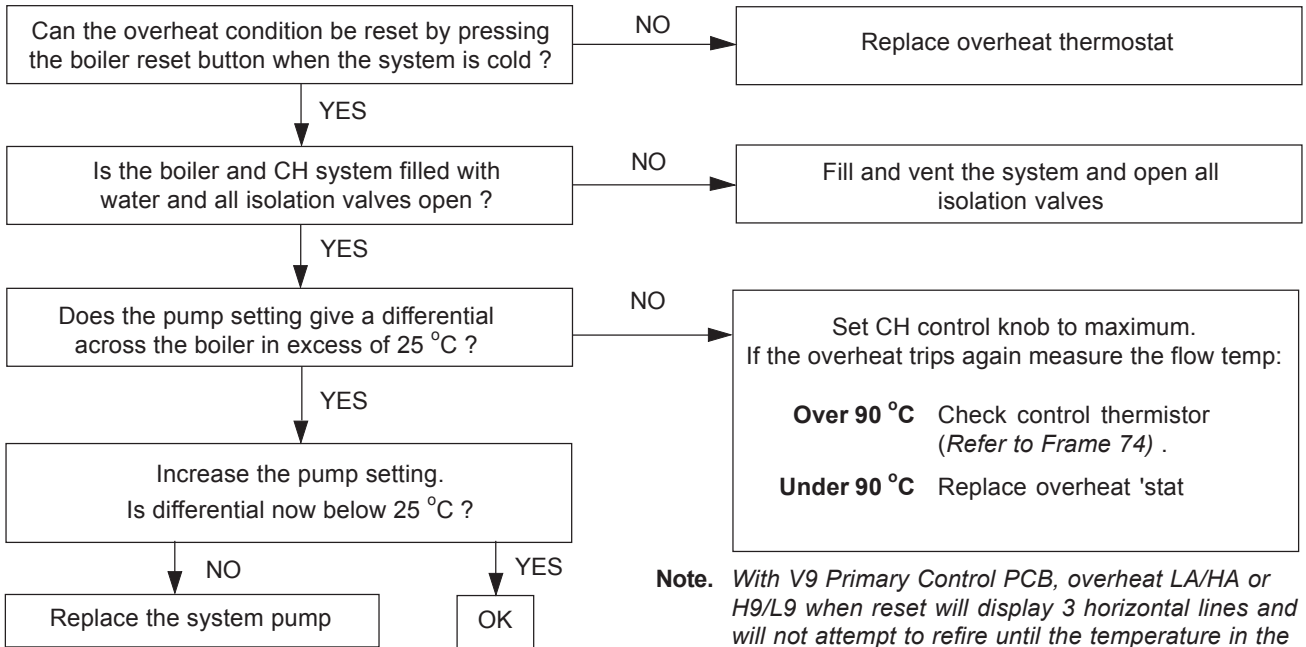
Note. Due to the wave form of the rectified voltage the reading will vary, depending on the type of meter used to measure the value (some may measure the possible peak voltage of 339V). In general terms, a reading greater than 150V indicates that the correct voltage is supplied to the gas valve. As an alternative to a multimeter a mains checking device may be used. E.g. an electrical screwdriver or a mains tester.

71 L.....E..... or H.....E..... (BOARD ERROR)

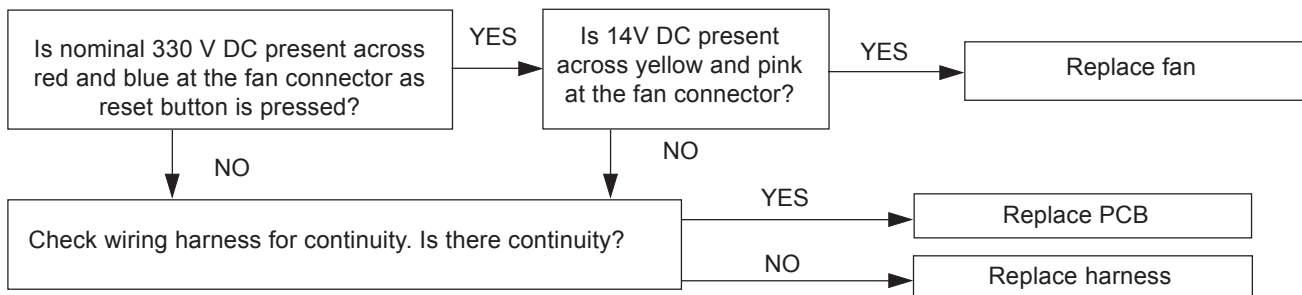


FAULT FINDING

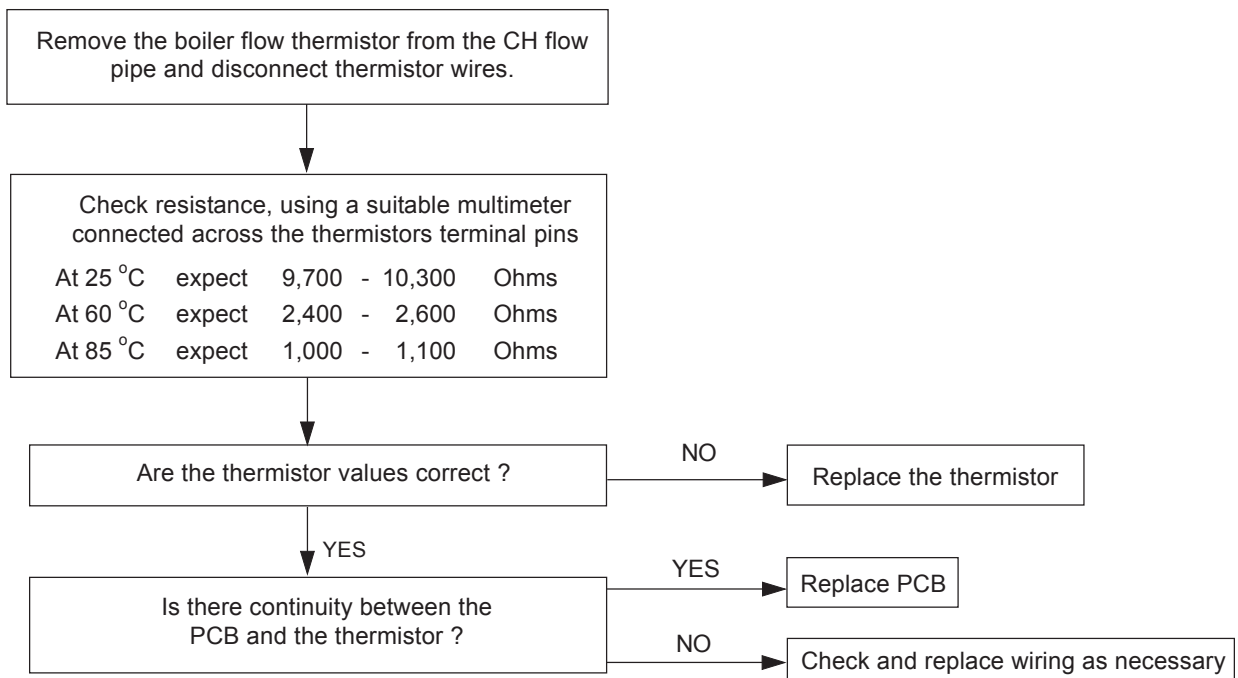
72 L.....A..... (OVERHEAT ERROR)



73 L....8..... (FAN ERROR)

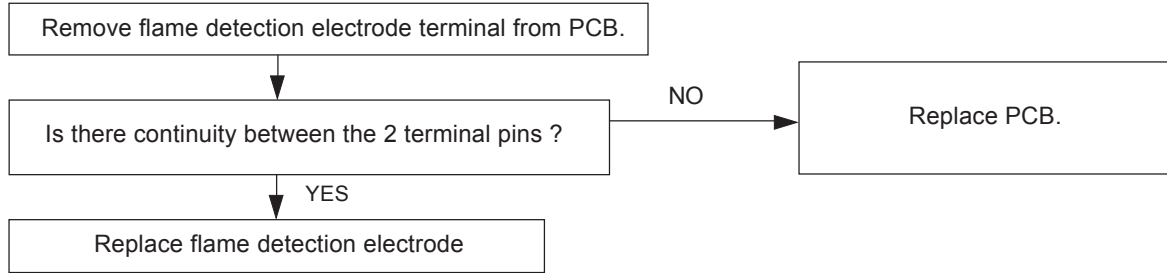


74 H.....1..... (FLOW THERMISTOR ERROR)

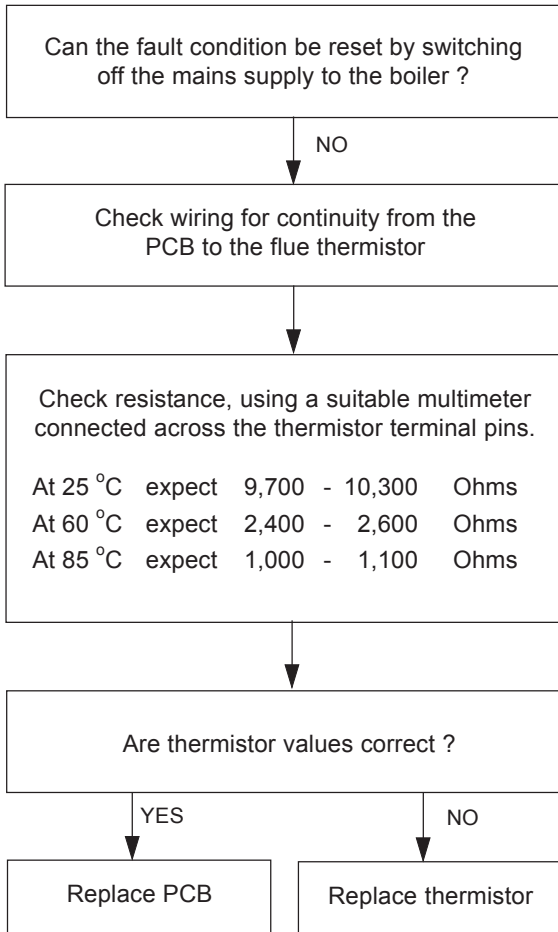


FAULT FINDING

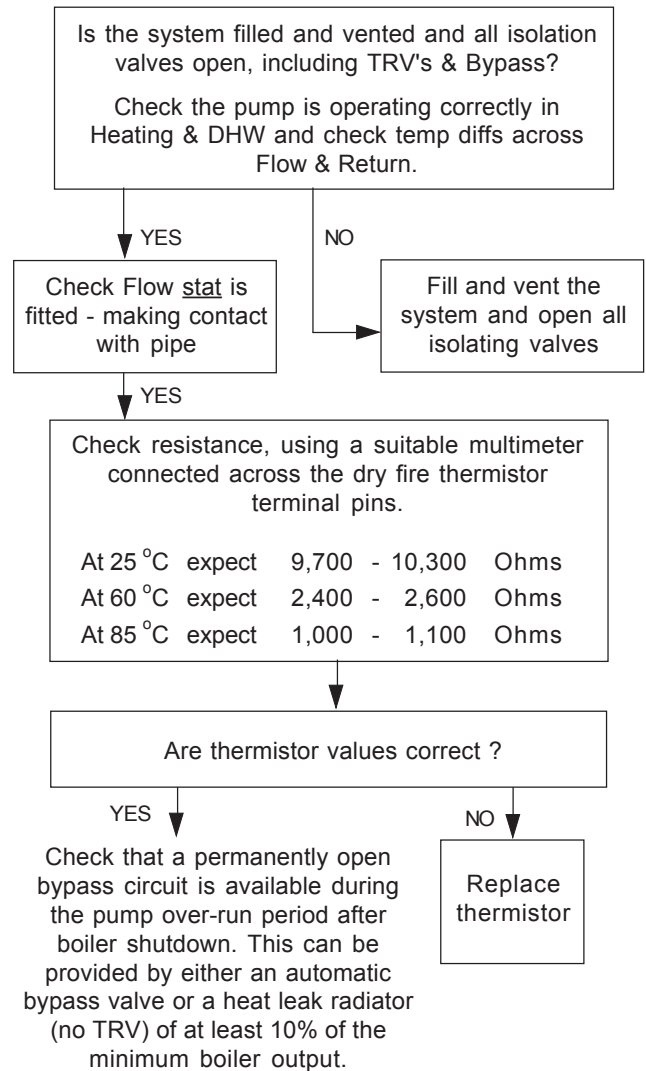
75 H.....F..... (FLAME DETECTION - SHORT CIRCUIT ERROR)



76 H.....4..... (FLUE THERMISTOR ERROR)



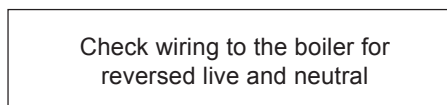
H9/L9 (HEAT EXCHANGER OVERHEAT)



Note.

With V9 Primary Control PCB, overheat LA/HA or H9/L9 when reset will display 3 horizontal lines and will not attempt to refire until the temperature in the heat exchanger drops below 50°C.

77 H.....n..... (PHASE REVERSAL ERROR)



SHORT LIST OF PARTS

The following are parts commonly required due to damage or expendability. Their failure or absence is likely to affect safety or performance of this appliance.

The list is extracted from the British Gas List of Parts, which contains all available spare parts.

The full list is held by British Gas Services, **Wolseley Centers Ltd.** distributors and merchants.

When ordering spares please quote:

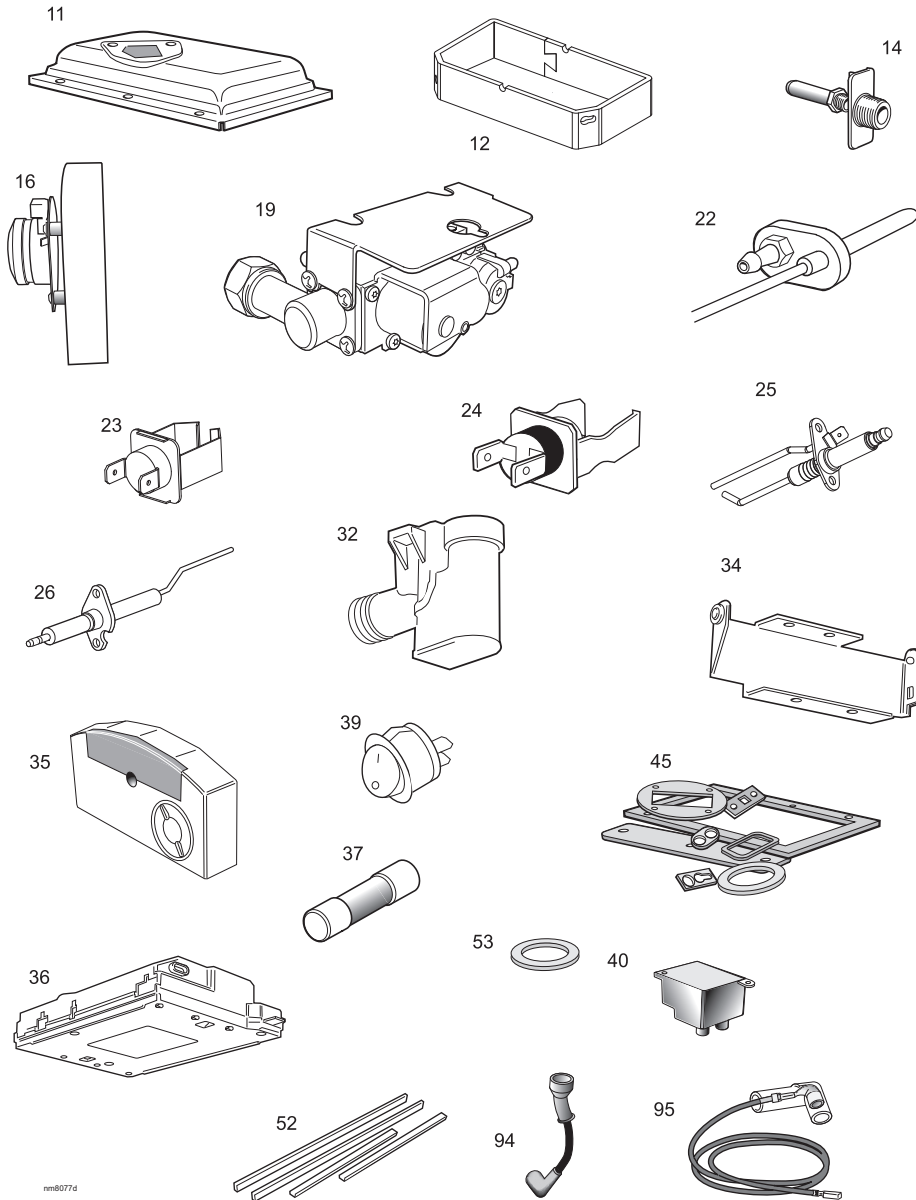
1. Boiler Model
2. Appliance G.C. Number
3. Description
4. Quantity
5. Product Number

When replacing any part on this appliance use only spare parts that you can be assured conform to the safety and performance specification that we require. Do not use reconditioned or copy parts that have not been clearly authorised by **Wolseley Centers Ltd.**

Key No.	GC Part No.	Description	Qty.	Product No.
1		Front casing panel	1	173 669
4	E67-482	Bottom casing panel	1	170 900
11	E67-489	Burner	1	170 905
12		Combustion chamber insulation	1	173 520
14	E67-492	Injector and housing	1	170 908
	H18-545	Injector and housing	1	173 779
16	E85-097	Fan assembly	1	172 625
19	E67-497	Gas control valve	1	170 913
22	E67-500	Flue thermistor	1	170 916
23	E67-501	Control thermistor	2	170 917
24	E67-502	Overheat thermostat	1	170 918
25		Ignition electrode kit	1	175 406
26		Flame detection electrode and gasket	1	173 529
32	E67-511	Condensate 'S' trap	1	170 926
34	E65-515	Controls hinge bracket kit	1	170 928
35		User controls	1	173 160
36		PCB primary controls kit (V9)	1	174 486
37	E67-519	Fuse PCB (3.15A L 250V)	1	170 931
39		Main switch c/w harness	1	173 537
40		Spark generator	1	173 538
45	E65-527	Gasket kit	1	170 938
52	E68-376	Seal kit - sealing panel	1	171 014
53	E68-380	Turret gasket	1	171 022
94		Ignition lead	1	175 424
95		Detection lead	1	173 511

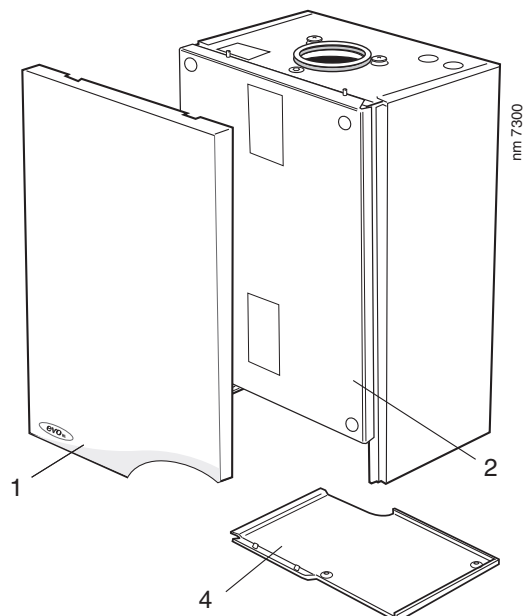
SHORT LIST OF PARTS

78 SHORT LIST



79 BOILER CASING ASSEMBLY

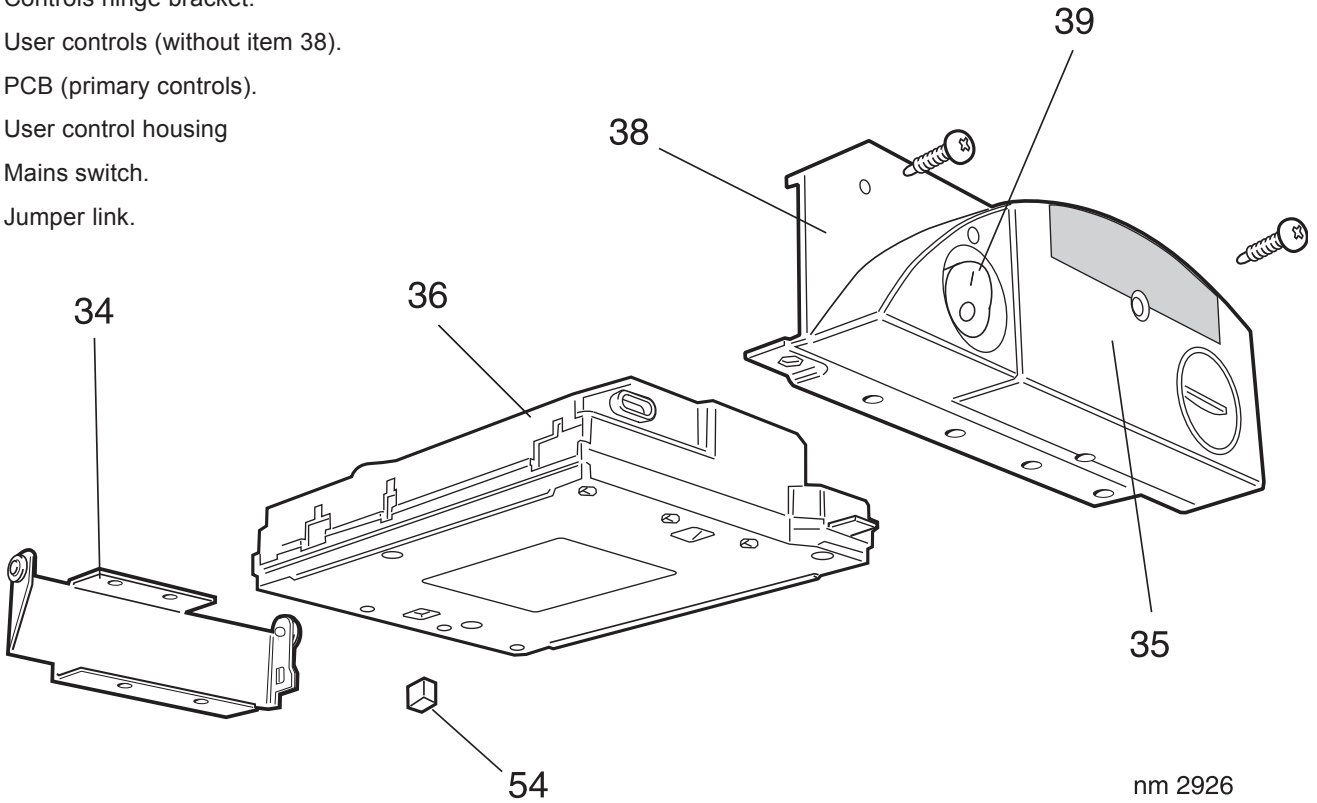
1. Front casing panel with screws.
2. Sealing panel with screws.
4. Bottom casing panel with screws.



LIST OF PARTS

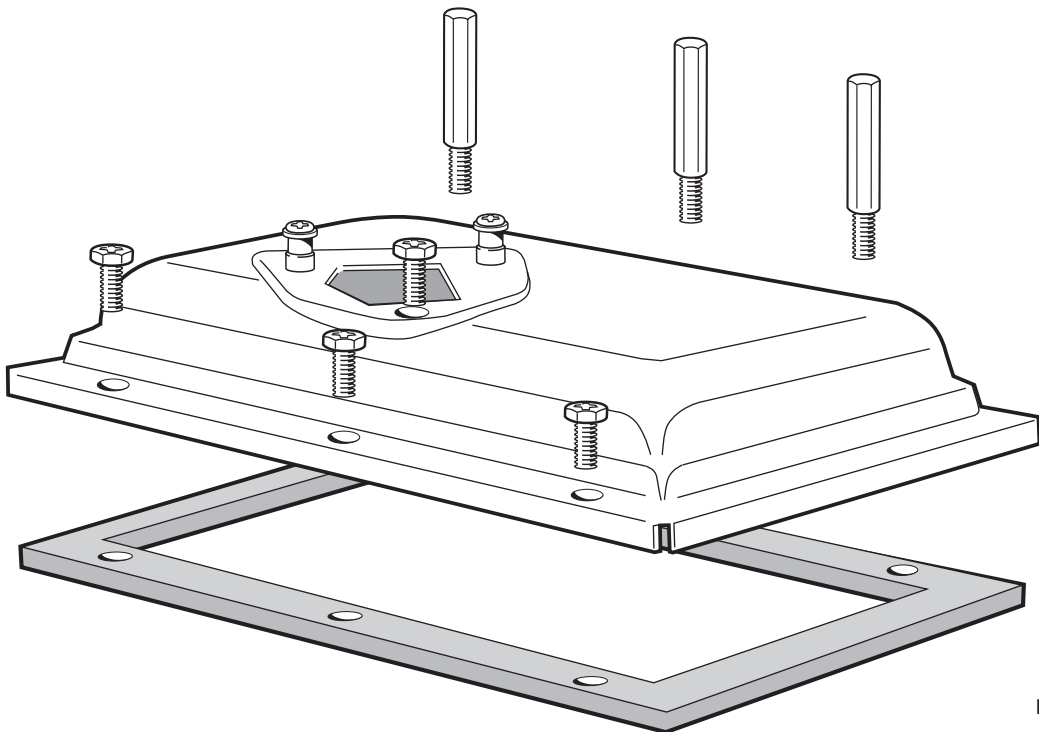
80 CONTROLS ASSEMBLY

- 33. Controls assy with screws.
- 34. Controls hinge bracket.
- 35. User controls (without item 38).
- 36. PCB (primary controls).
- 38. User control housing
- 39. Mains switch.
- 54. Jumper link.



81 BURNER ASSEMBLY

- 11. Burner assembly with screws and gasket.



NOTES

Code Of Practice

For the installation, commissioning and servicing of domestic heating and hot water products

Benchmark places responsibilities on both manufacturers and installers.* The purpose is to ensure that customers** are provided with the correct equipment for their needs, that it is installed, commissioned and serviced in accordance with the manufacturer's instructions by competent persons and that it meets the requirements of the appropriate Building Regulations. Installers are required to carry out work in accordance with the following:

Standards of Work

- Be competent and qualified to undertake the work required.
- Install, commission, service and use products in accordance with the manufacturer's instructions provided.
- Ensure that where there is responsibility for design work, the installation is correctly sized and fit for purpose.
- Meet the requirements of the appropriate Building Regulations. Where this involves notifiable work be a member of a Competent Persons Scheme or confirm that the customer has notified Local Authority Building Control (LABC), prior to work commencing.
- Complete all relevant sections of the Benchmark Checklist/Service Record when carrying out commissioning or servicing of a product or system.
- Ensure that the product or system is left in a safe condition and, whenever possible, in good working order.
- Highlight to the customer any remedial or improvement work identified during the course of commissioning or servicing work.
- Refer to the manufacturer's helpline where assistance is needed.
- Report product faults and concerns to the manufacturer in a timely manner.

Customer Service

- Show the customer any identity card that is relevant to the work being carried out prior to commencement or on request.
- Give a full and clear explanation/demonstration of the product or system and its operation to the customer.
- Hand over the manufacturer's instructions, including the Benchmark Checklist, to the customer on completion of an installation.
- Obtain the customer's signature, on the Benchmark Checklist, to confirm satisfactory demonstration and receipt of manufacturer's instructions.
- Advise the customer that regular product servicing is needed, in line with manufacturers' recommendations, to ensure that safety and efficiency is maintained.
- Respond promptly to calls from a customer following completion of work, providing advice and assistance by phone and, if necessary, visiting the customer.
- Rectify any installation problems at no cost to the customer during the installer's guarantee period.

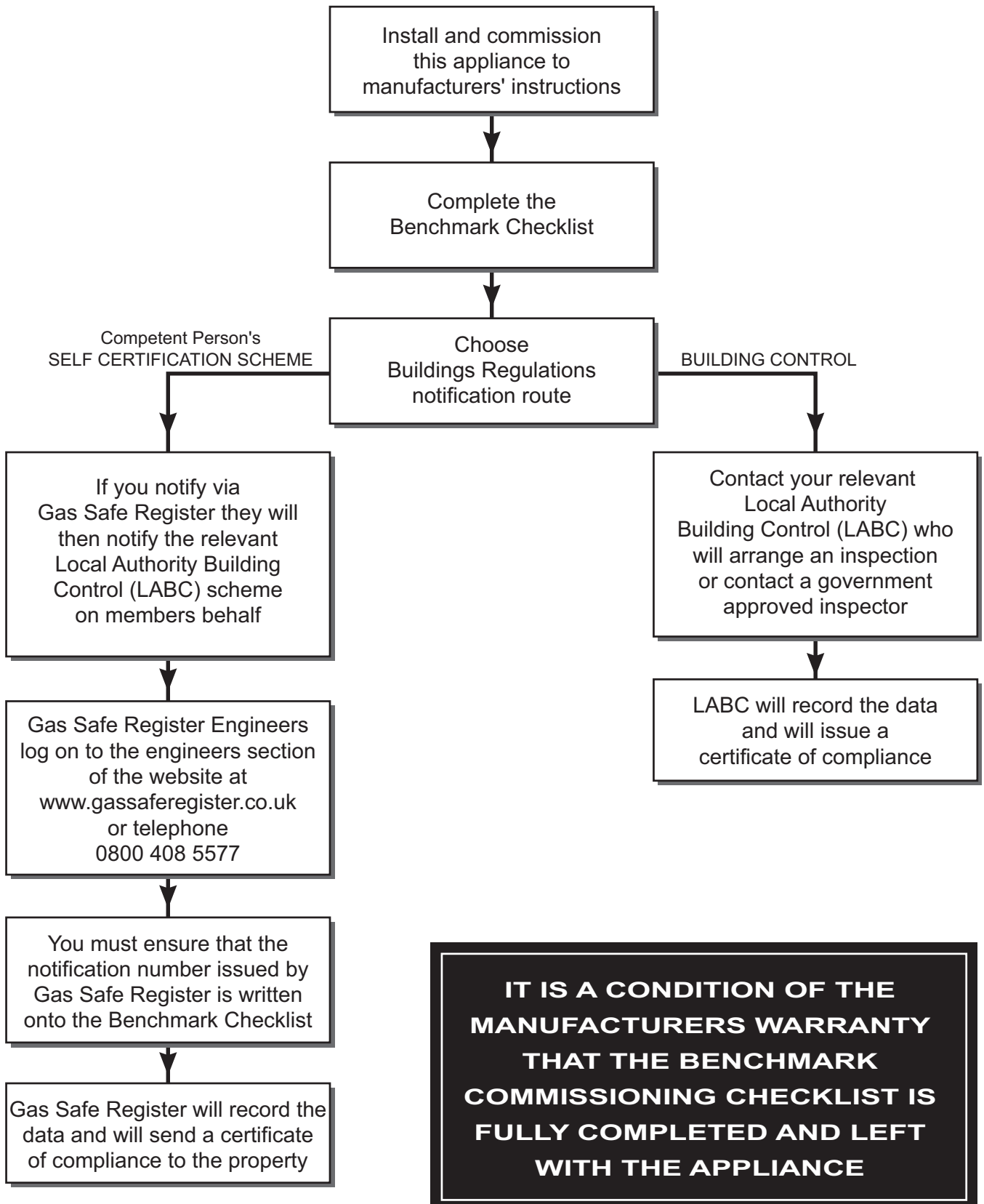


*The use of the word "installer" is not limited to installation itself and covers those carrying out installation, commissioning and/or servicing of heating and hot water products, or the use of supporting products (such as water treatment or test equipment).

**Customer includes householders, landlords and tenants.

INSTALLER NOTIFICATION GUIDELINES

A change to Building Regulations (England and Wales) requires the installer to notify when installing a heating appliance, as from 1st April 2005.





*The code of practice for the installation,
commissioning & servicing of central heating systems*



Wolseley Installer/Technical Helpline: 0870 8498057