

# IDEAL CLASSIC

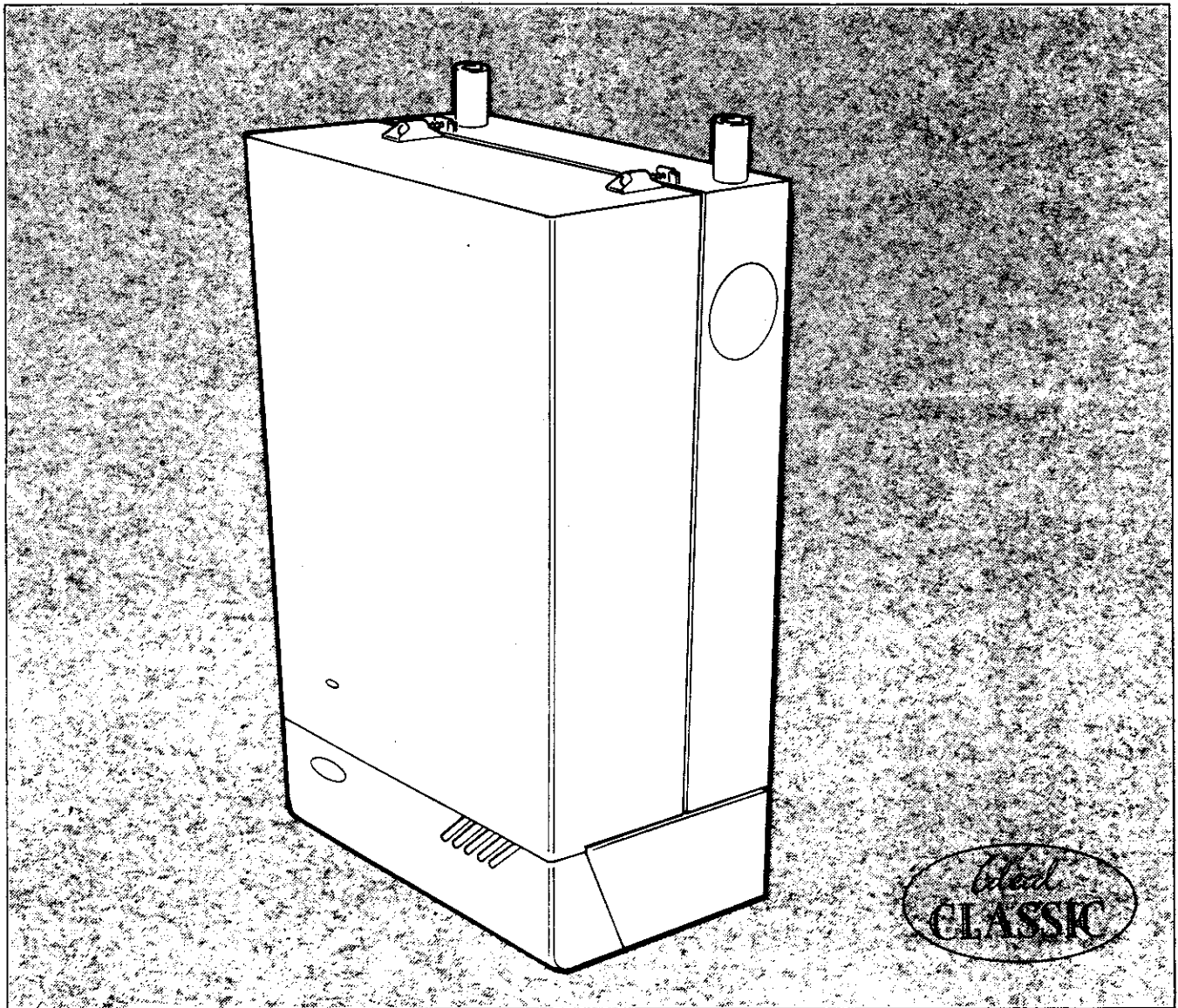
## NF 50 P, NF 60 P & NF 80 P

### Wall Mounted, Fanned, Balanced Flue Gas Boilers.

## User's Instructions.

**CAUTION:** To avoid the possibility of injury during the installation, servicing or cleaning of this appliance, care should be taken when handling edges of sheet steel components.


**IMPORTANT:** This appliance is for use with  
**L.P.G. (PROPANE) ONLY.**



**NOTE TO THE INSTALLER:** LEAVE THESE INSTRUCTIONS WITH THE HOUSEHOLDER



**The Gas Safety (Installation and Use) Regulations: 1984** impose certain statutory obligations on gas users. Further information may be obtained on application to the Gas Region.

It is the law that all gas appliances are installed by competent persons e.g. CORGI (identified by ) in accordance with the above regulations.

Failure to install appliances correctly could lead to prosecution. It is in your own interest and that of safety to ensure that the law is complied with.

### ELECTRICITY SUPPLY

If a mains plug is used it MUST be a 3-pin type, wired as shown in Fig. 1 and fused at 3 A.

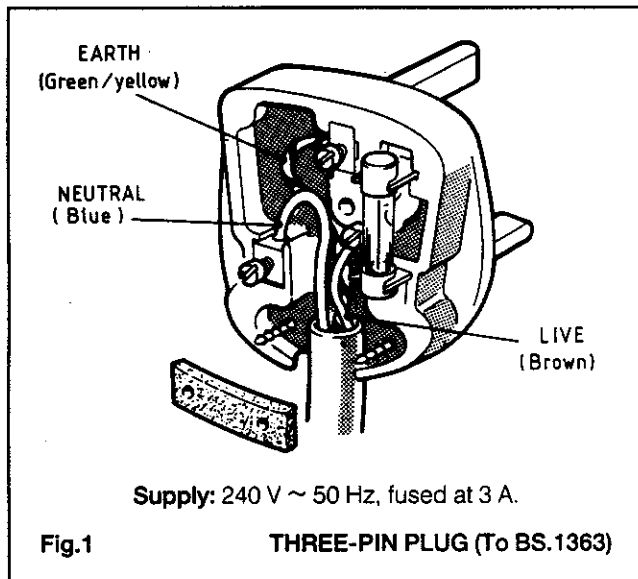
**This appliance MUST be efficiently earthed.**

As the colour of the wires in the mains lead of this appliance may not correspond with the coloured markings identifying the terminals in your plug, proceed as follows:

The wire which is coloured GREEN and YELLOW must be connected to the terminal in the plug which is marked with the letter E or by the earth symbol '⊕' or coloured GREEN or GREEN and YELLOW.

The wire which is coloured BLUE must be connected to the terminal which is marked with the letter N or coloured BLACK.

The wire which is coloured BROWN must be connected to the terminal which is marked with the letter L or coloured RED.



### MINIMUM CLEARANCES

The minimum clearances given below MUST be complied with in order to maintain the safe running of the boiler and to facilitate servicing.

Above the boiler	100 mm (4 in.)
At each side of the boiler	5 mm (1/4 in.)
Underneath the boiler	100 mm (4 in.)
In front of the boiler	450 mm (17 3/4 in.)

### IMPORTANT NOTES

(a) THIS APPLIANCE MUST NOT BE OPERATED WITHOUT THE CASING CORRECTLY FITTED AND FORMING AN ADEQUATE SEAL.

(b) If the boiler is installed in a compartment, then the compartment must be suitably ventilated for storage of gas.

(c) The ventilation provided for the boiler during installation MUST NOT be blocked and a check should be made periodically that the ventilation areas are free from any obstruction.

(d) If it is known or suspected that a fault exists on the boiler then it MUST NOT be used until the fault has been corrected by a competent person.

*It is essential that the instructions in this booklet are strictly followed for safe and economical operation of the boiler.*

### TO LIGHT THE BOILER. Refer to Fig. 2.

- CHECK THAT THE ELECTRICITY SUPPLY TO THE BOILER IS OFF.
- Open the controls access door by hinging downwards.
- Ensure the gas inlet cock (B) is OPEN.
- If fitted, press the overheat reset button (G), located as shown in Fig. 2.
- Ensure that the mains ON / OFF switch (H) is in the OFF position.
- Switch ON the electricity supply to the boiler. Check that all external controls e.g. room thermostat etc., are ON.
- Turn the boiler thermostat knob (D) to position '6' and the mains ON / OFF switch (H) to ON. After about 15 seconds the boiler will light automatically - this can be viewed through the sightglass (A). Set the boiler thermostat to the desired position.
- Close the controls access door.

In **winter conditions**, i.e. central heating and domestic hot water, the thermostat should be set at position '5' or '6'.

For **summer conditions**, i.e. domestic hot water only, the thermostat should be set at position '3'.

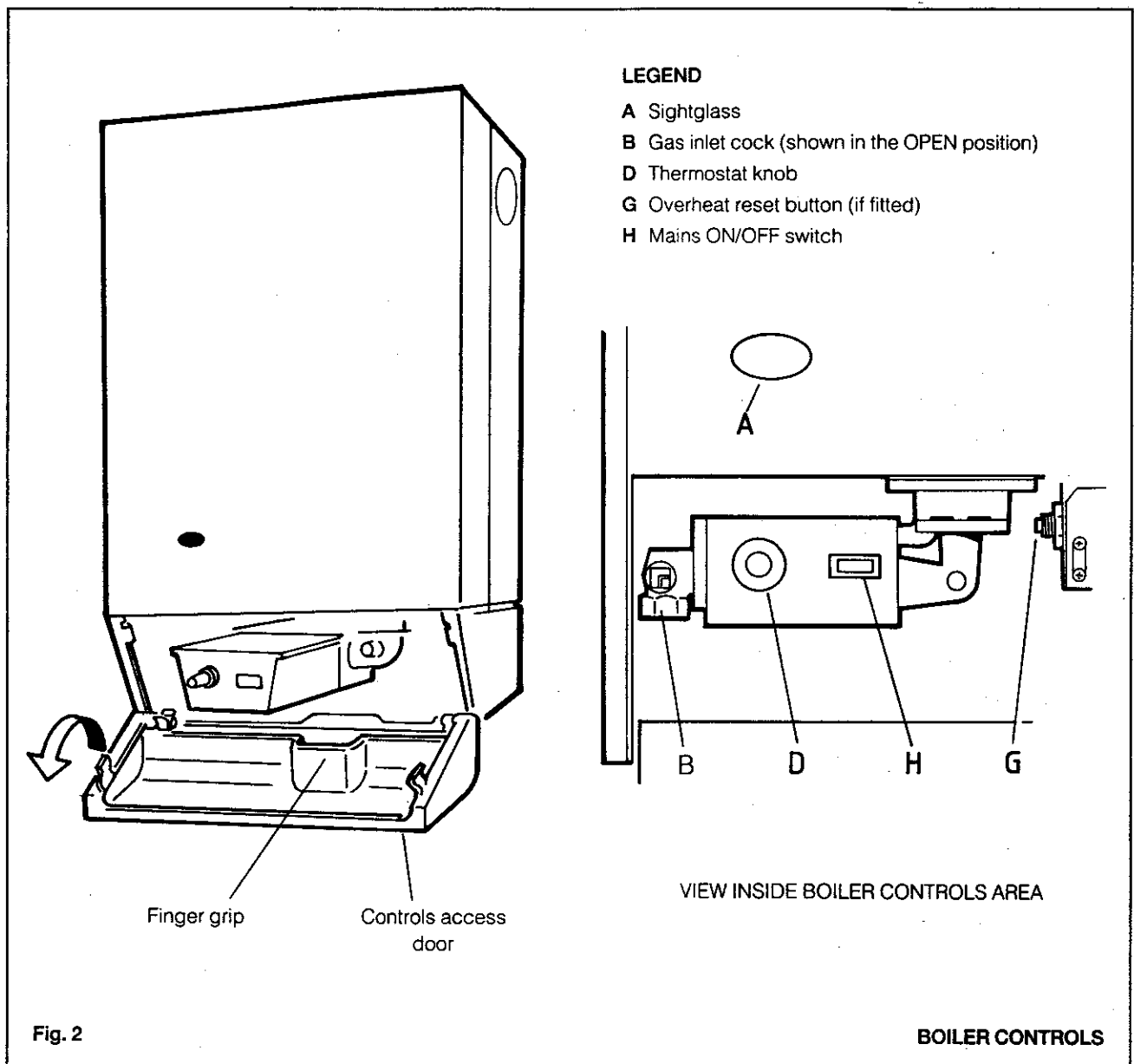
However, these settings are offered for general guidance only and other settings may be found preferable, dependent upon the type of system installed or as recommended by the Installer.

Approximate flow temperatures for the boiler thermostat settings are:

Knob Setting	Flow Temperature	
	°C	°F
1	54	130
2	60	140
3	66	150
4	71	160
5	77	170
6	82	180

### TO SHUT DOWN THE BOILER

- For short periods.**  
Set the boiler ON/OFF switch (H) to OFF.  
When heating is again required, reset the switch to ON.
- For longer periods.**  
Turn the boiler ON/OFF switch (H) to OFF.  
Switch the electricity supply to OFF.



**WARNING.** If no frost protection is provided and frost is likely during a short absence from home, leave the heating controls at a reduced temperature setting.

For longer periods, the entire system should be drained - including the domestic water supply. If the system includes a frost thermostat, then during cold weather, the boiler should be turned OFF at the time switch(es) ONLY. The mains supply should be left switched ON with the boiler thermostat left in the normal running position.

**BOILER OVERHEAT THERMOSTAT**  
(Fitted for sealed systems only).

The boiler is fitted with a safety 'cut-out' thermostat. This thermostat will shut down the boiler in the event of overheating. Should this occur, allow the boiler to cool, press the reset, button (G) and then re-light as detailed in steps 1 to 8 under 'To Light the Boiler'.

*If the 'cut-out' condition still persists then turn off the boiler and consult your local Heating Installer.*

**CONTROL OF WATER TEMPERATURE**

1. Adjust the boiler thermostat (D) to give the required temperature for central heating.
2. The boiler thermostat automatically switches the main burner OFF and ON to maintain the selected temperature.

**TO RE-LIGHT THE BOILER**

Repeat the procedure 1 - 8 detailed in 'To Light the Boiler'.

**LOSS OF SYSTEM WATER PRESSURE**

**Boilers fitted with the Sealed System Module only.**

If the red arrow on the module pressure gauge is set above zero and the system pressure is seen to fall below this value over a period of time, then a water leak is indicated. In this event your local heating installer should be consulted.

**DO NOT FIRE THE BOILER IF THE PRESSURE HAS REDUCED TO ZERO FROM THE ORIGINAL SETTING.**

**ESCAPE OF GAS**

See the 'EMERGENCY ACTION NOTICE' at the back of this publication.

**CLEANING**

For normal cleaning simply dust with a dry cloth. To remove stubborn marks and stains, wipe with a damp cloth and finish off with a dry cloth.

**Do NOT use abrasive cleaning materials.**

**MAINTENANCE**

The appliance should be serviced at least once a year by a qualified Heating Engineer, or your local Gas Region.

## CHANGING GAS CYLINDERS

1. Ensure that the replacement gas cylinder is the correct one for the installation.
2. Extinguish any fire, flame or source of ignition (including cigarettes, pipes and pilot lights) before changing gas cylinders.
3. Change cylinders with caution.
4. Ensure that the gas cylinder valve(s) is/are closed before disconnecting an empty cylinder or before removing any plastic cap or plug on the outlet connection of the replacement cylinder.  
Never use tools on cylinder valves, hand wheels or levers.  
**Note.** Cylinders with threaded connections have left-hand thread. For cylinders with self sealing/clip on valves, ensure that the regulator tap is closed before disconnection.
5. Ensure that the replacement cylinder connections are gas-tight. Any leaking vapour will smell.  
Test by brushing with soapy water around the connections; bubbles will form if vapour is leaking.  
**Never use a naked flame.**
6. It is essential that the correct pressure regulator with the correct pressure setting and capacity for the installation is used in accordance with the manufacturer's instructions.
7. In the case of connection on a pressure regulator or gas appliance which relies upon a sealing washer to maintain a gas-tight joint, it is essential to check that the washer is present, that it is sound and is correctly positioned prior to making the connection.  
Where the connection relies on a metal-to-metal seating or bullnose connection to obtain a gas-tight joint, it is essential that the mating surfaces be clean and undamaged.  
*In no circumstances should a damaged valve or connection be used.*
8. Where connections are designed to be tightened with a spanner, it is essential that a spanner of the correct size is used and that the union is firmly tightened; hand tightness is not sufficient.  
When self-sealing valves are incorporated in a gas cylinder, connections should be made in accordance with the manufacturer's instructions and tools should not be used.
9. If the continuation of supply is interrupted when a cylinder is changed, it is essential that all appliance taps are turned off before the change is made.
10. With bulk storage tanks, always ensure that the site is kept clean and clear of rubbish. Such vessels are designed to be filled on site by the gas distributors.

## EMERGENCY ACTION NOTICE

**GAS LEAKAGE \*** (Usually detected by a distinctive smell).

**DO NOT OPERATE ELECTRICAL SWITCHES.**

**NEVER LOOK FOR A LEAK WITH A NAKED FLAME \***

### IMMEDIATE ACTION

CLOSE all cylinder valves.

EXTINGUISH all sources of ignition.

OPEN all doors and windows.

If the leakage cannot be stopped, REMOVE THE CYLINDERS to a safe place in the open air and advise the supplier. If this is not possible, evacuate the premises and call the fire brigade.

DO NOT USE THE INSTALLATION until it has been checked by the gas supplier or other competent person.

### FIRE \*

#### IMMEDIATE ACTION.

IF IT SAFE TO DO SO, SHUT OFF THE GAS SUPPLY.

**Do not attempt to extinguish a gas flame by any other means.**

**Raise the alarm and call the fire brigade \*** stating that a liquefied petroleum gas cylinder is involved and its location.

**DO NOT GO NEAR** if a cylinder is being heated by fire.

ALERT EVERYONE in the immediate area of the fire and evacuate the building.

ADVISE THE FIRE BRIGADE on their arrival of the LOCATION OF THE CYLINDER.

If a cylinder is not involved in the fire *and it is safe to do so*, close all cylinder valves and remove the cylinders to a safe place.

**CARADON IDEAL Ltd.** pursues a policy of continuing improvement in the design and performance of its products. The right is therefore reserved to vary specification without notice.

**CARADON IDEAL Ltd.**

P.O. Box 103, National Avenue,  
Kingston upon Hull,

North Humberside. HU5 4JN.

Telephone: 01482 492 251

Fax: 01482 448 858.

Registration No. London 322 137.

Registered Office: National Avenue, Kingston upon Hull,  
North Humberside, HU5 4JN.

*A subsidiary of Caradon p.l.c*

August 1994 116 921 A03

**i Ideal** BOILERS

Printed in England