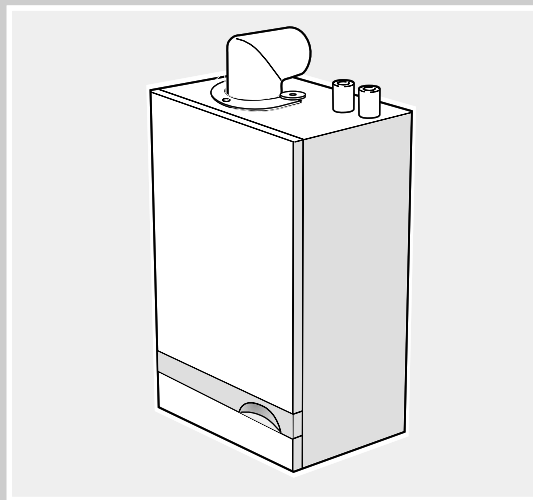


# THE IDEAL USERS GUIDE



*minimiser* SE

the super efficiency boiler

Wall mounted,  
gas fired, fanned flue  
condensing heating boiler

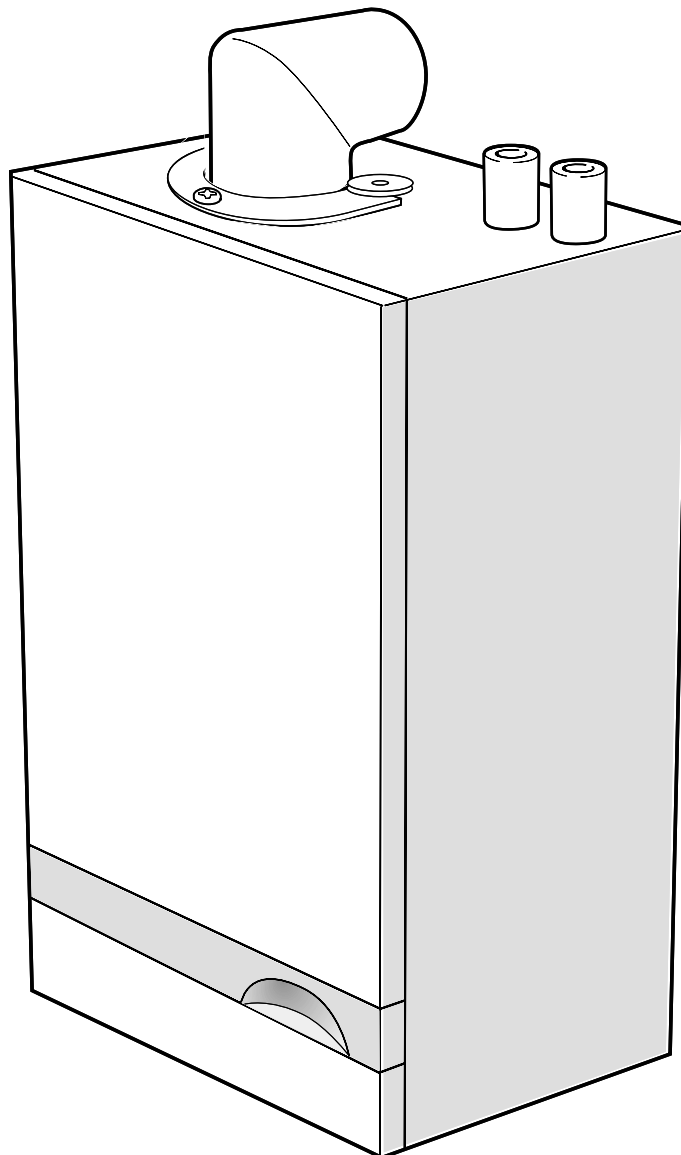
*i* BOILERS  
*Ideal*



## **Minimiser SE** (Natural Gas Models Only)

<b>Minimiser SE</b>	<b>G.C. Appliance No.</b>	<b>Minimiser SE</b>	<b>G.C. Appliance No.</b>
30	41 349 64	60 .....	41 349 67
40 .....	41 349 65	70 .....	41 349 68
50 .....	41 349 66	80 .....	41 349 69

**Destination Countries: GB, IE**



**CAUTION. To avoid the possibility of injury during the installation, servicing or cleaning of this appliance care should be taken when handling edges of sheet steel components.**

## ***Introduction***

The **Minimiser SE** is a wall mounted, room sealed, super efficient condensing boiler featuring full sequence automatic spark ignition and fan assisted combustion.

Due to the very high efficiency, condensate is produced from the flue gases and this is drained to a suitable disposal point through the plastic waste pipe at the right lower rear of the boiler. A condensate 'plume' will also often be visible at the flue terminal.

## **Safety**

**Gas Safety (Installation & Use) Regulations 1994, amendments 1996 or rules in force.**

In your own interest, and that of safety, it is the law that this boiler must be installed by a CORGI registered installer, in accordance with the above regulations.

*It is essential that the instructions in this booklet are strictly followed, for safe and economical operation of the boiler.*

## ***Electricity Supply***

This appliance is intended to be connected to the supply via a double-pole switch, having a 3mm contact separation in both poles, serving only the boiler and system controls. Alternatively, a 3-pin UNSWITCHED socket may be used. The fusing should be 3A.

## ***Important Notes***

- THIS APPLIANCE MUST NOT BE OPERATED WITHOUT THE CASING CORRECTLY FITTED AND FORMING AN ADEQUATE SEAL.
- If the boiler is installed in a compartment then the compartment MUST NOT be used for storage purposes.
- Clearances of **145mm (7 3/4")** above, **100mm (4")** below, **5mm (1/4")** at the sides and **450mm (17 3/4")** at the front of the boiler casing must be allowed for servicing.
- If it is known or suspected that a fault exists on the boiler then it MUST NOT BE USED until the fault has been corrected by a CORGI registered installer.

## ***To light the boiler***

*(see illustration on page 5)*

Access to the controls is made by swinging the controls pod door downwards.

If a programmer is fitted, refer to separate instructions for the programmer before continuing.

1. Check that the electrical supply to the boiler is OFF.
2. Ensure that the gas and water supplies to the boiler are OPEN and external controls are calling for heat.
3. Switch ON the electrical supply to the boiler at the mains supply socket.
4. Turn the boiler thermostat (B) to position 6.
5. Almost immediately the ignition electrode will operate and the boiler will ignite.
6. Should the boiler fail to ignite, turn the boiler thermostat to position 0, wait for 10 seconds then turn back to position 6.
7. Immediately after ignition the 'Burner on' neon (A) will illuminate.
8. If the 'Burner on' neon (A) fails to light after repeated attempts, switch off the electrical supply to the boiler and consult a CORGI registered installer.

### **WARNING.**

If no frost protection is provided and frost is likely during a short absence from home, leave the room thermostat and cylinder thermostat at a reduced setting.

For longer periods, the entire system should be drained - including the domestic water supply and boiler heat exchanger.

If the system includes a frost thermostat then, during cold weather, the boiler should be turned OFF at the time switch(es) ONLY.

The mains supply should be left switched ON.

## ***To shut down the boiler***

1. **For short periods**  
Switch OFF the electrical supply to the boiler. When heating is again required, restore supply to the boiler.
2. **For longer periods**  
Switch OFF the electrical supply to the boiler or, if a frost thermostat is fitted, at the time switch.

## ***To relight the boiler***

Repeat the procedure detailed in 'To light the boiler'.

**THE LOG BOOK SHOULD BE COMPLETED AFTER EACH SERVICE AND KEPT WITH THESE INSTRUCTIONS**



## Escape of gas

Should a gas leak or fault be suspected contact your local gas supplier without delay.

Do NOT search for gas leaks with a naked flame.

## Condensate Drain

The condensate drain must not be modified or blocked.

Blockage of the condensate drain, caused by debris or freezing, can cause automatic shutdown of the boiler.

If freezing is suspected and the pipe run is accessible an attempt may be made to free the obstruction by pouring hot water over the exposed pipe and clearing any blockage from the end of the pipe. If this fails to remedy the problem the assistance of a CORGI registered installer should be sought.

## Cleaning

For normal cleaning simply dust with a dry cloth.

To remove stubborn marks and stains use a damp cloth and mild detergent.

DO NOT use abrasive cleaning materials.

## Control of water temperature

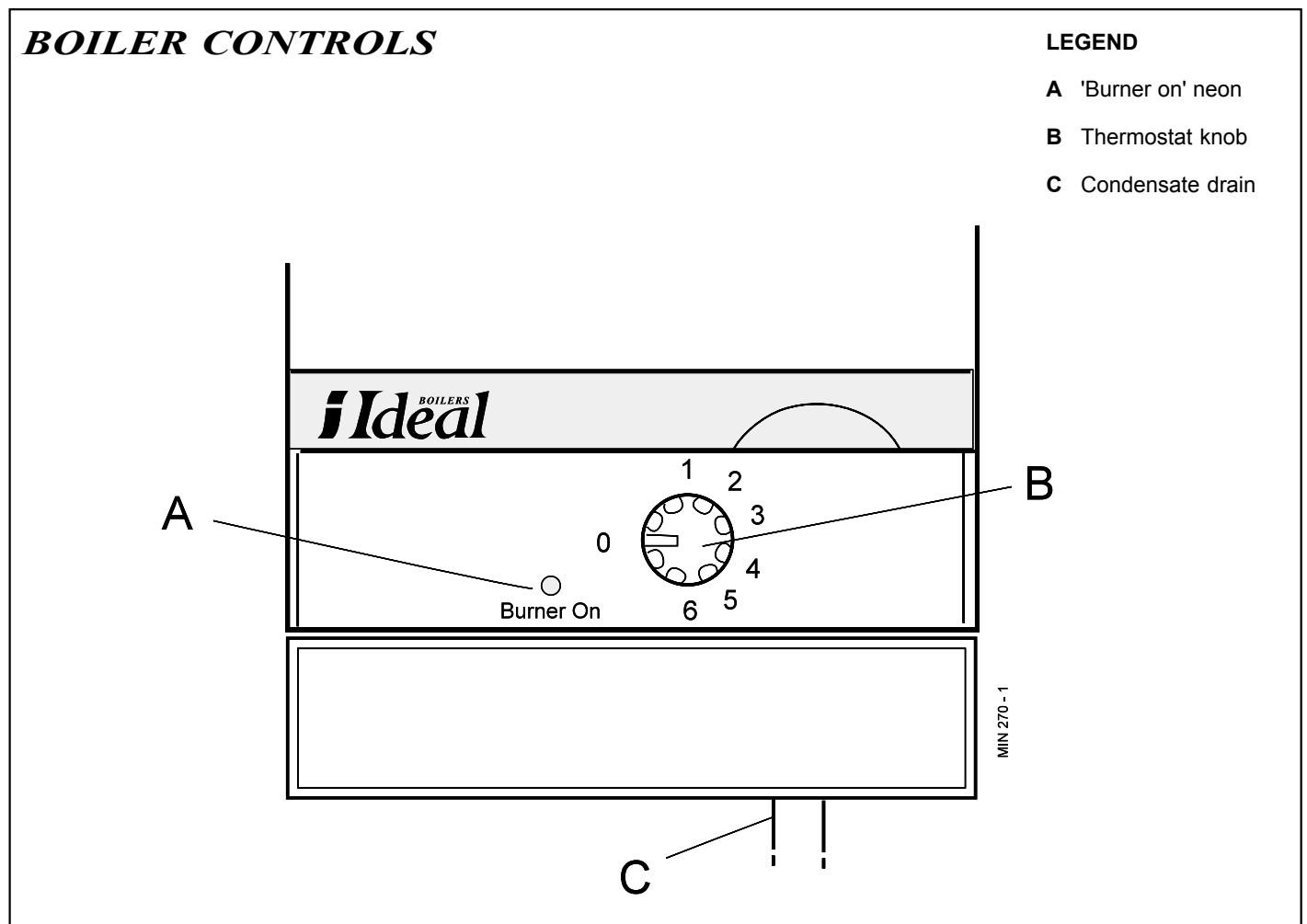
1. Set the boiler thermostat knob to give the required temperature
2. The boiler thermostat automatically switches the main burner OFF and ON to maintain the selected temperature.

Approx. flow temperatures for the boiler thermostat settings are:

Knob Setting	Flow Temperature	
	°C	°F
1	50	120
2	60	140
3	66	150
4	71	160
5	77	170
6	82	180

## Maintenance

The appliance should be serviced at least once a year by a CORGI registered installer.





***The code of practice for the installation,  
commissioning & servicing of central heating systems***

Caradon Plumbing Limited is a member of the Benchmark initiative and fully supports the aims of the programme. Benchmark has been introduced to improve the standards of installation and commissioning of central heating systems in the UK and to encourage the regular servicing of all central heating systems to ensure safety and efficiency.



**Caradon Plumbing Limited** pursues a policy of continuing improvement in the design and performance of its products. The right is therefore reserved to vary specification without notice.

**Caradon Plumbing Limited**, P.O. Box 103, National Ave, Kingston upon Hull, HU5 4JN. Telephone: 01482 492 251 Fax: 01482 448 858. Registration No. London 322 137. Registered Office: National Avenue, Kingston upon Hull, HU5 4JN. *A subsidiary of Caradon p.l.c*

September 1999

UIN 151 817 A03

***i* Ideal** BOILERS

***Ideal Consumer Helpline Tel: 01482 498 660***

# ***YOUR FEEDBACK***

*and your chance to win a free boiler*

At Ideal we've been leaders in the design and engineering of robust and reliable boilers for over 90 years. We want to continue as leaders by listening to your suggestions for how to improve our boilers and our service. We will be giving away a free boiler for the five best ideas every year (to be selected by our Technical Director). Please complete this form, using extra sheets if required, and post it or fax it to us on 01482 498699.

## ***Boiler details***

Model / Size (e.g. Classic RS 230, Mexico CF 3/60 etc. Details on control panel door)

Date of Installation

## ***Installer details***

Name

Address

Post Code

Telephone (Please include STD code)

## ***How I would improve this boiler:***

## ***My general comments for Ideal:***

**Caradon**   
**Plumbing Solutions**

***Ideal Consumer Helpline Tel: 01482 498 660***

## Further information

If you would like information about Ideal Boilers please complete this sheet and fax it to us on 01482 498699 or post it to Caradon Plumbing Limited, PO Box 103, National Avenue, Kingston upon Hull, HU5 4JN.

### Installer details

Name

Address

Post Code

Telephone (Please include STD code)

### General information required

- Please send me details of Ideal Training Courses.
- Please arrange for a technical representative to contact me.
- Please arrange for me to join an Ideal factory tour.

### Range guides required

- The Ideal Guide: a specifier's and installer's introduction to the Ideal domestic boiler range.
- The Ideal Householders Guide: to assist the installer when presenting to his/her customers.

### Technical manuals required

- The Ideal C class combi boiler
- The Ideal Classic wall hung boiler
- The Ideal Classic System wall hung boiler
- The Ideal Classic LX Deluxe wall hung boiler
- The Ideal Mexico floor standing boiler
- The Ideal Minimiser heat-saving boiler
- The Ideal Response combi boiler
- The Ideal Response SE super efficiency combi boiler
- The Ideal Systemiser SE super efficiency system boiler
- The Ideal Concord high output boiler
- The Ideal Buccaneer oil fired boiler

**Caradon**   
**Plumbing Solutions**

Caradon Plumbing Ltd., PO Box 103, National Avenue, Kingston upon Hull, HU5 4JN. Telephone: 01482 492251 Fax: 01482 448858.

***Ideal Consumer Helpline Tel: 01482 498 660***