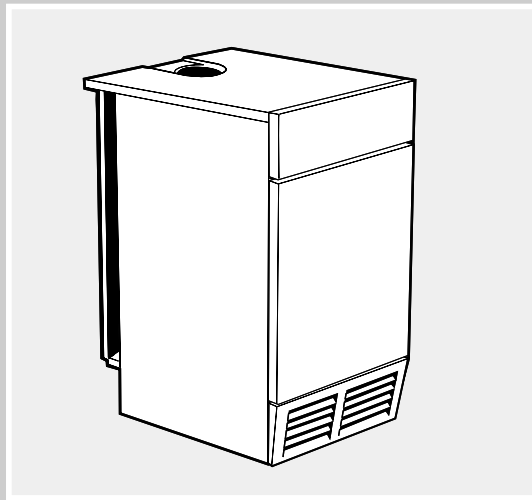


THE IDEAL INSTALLATION & SERVICING MANUAL



mexico

the floor standing boiler

Floor standing,
gas fired, conventional
flue boiler

Mexico Super
CF3/60P - 3/140P

i BOILERS *Ideal*

Mexico:

The Floor Standing Gas Boiler

The Ideal Mexico is a range of cast iron floor standing gas central heating boilers. Both balanced or conventional flue versions are available. A complete range of both natural gas and propane models. The range offers Super models and, for when space is tight, there are Slimline models available.

Mexico: Britain's biggest selling floor standing boiler

The ideal replacement boiler...

Easy to install, easy to operate and easy to service. The Ideal Mexico really is the ultimate replacement floor standing range - you can depend on it.

Proven reliability...

Proven cast iron heat exchanger engineered and refined to be the most dependable floor standing boiler ensuring totally calm operation and quiet running, whatever the system demands.

Complete range...

27 models, including 4 Slimline models at only 250mm wide and 8 propane Super models. Option kit availability includes an easy to use programmer kit available on all models, an overheat thermostat kit for all models and a pump kit that can be housed within the casing, available for all models except the Super CF 3/140 & CF 3/140P.

Full system suitability...

All models are suitable for connection to pumped open vent central heating systems, pumped central heating combined with pumped or gravity indirect domestic hot water supply systems. They can also be used on sealed water systems when used in conjunction with the optional Overheat Thermostat Kit.

Free Guarantee: 1st Year Ideal Care

The home owner is entitled to 12 months free Ideal Care, which includes both parts and labour, to restore the boiler to full function. Please encourage the home owner to complete and return the registration form in their Householder's pack within 30 days of installation.

Optional Extra Year Cover with Ideal Care

You may wish to offer your own annual service plan or you may wish to advise the home owner to complete their application form for the appropriate level of extended Ideal Care - Silver, Gold or Platinum. Full details are available in the Ideal Care brochure.

CAUTION. To avoid the possibility of injury during the installation, servicing or cleaning of this appliance, care should be taken when handling edges of sheet steel components.

GENERAL

Table 1 - Boiler Data

Boiler Size		CF 3/60P	CF 3/75P	CF 3/100P	CF 3/125P	CF 3/140P
Gas Supply Connection	in. BSP	Rc 1/2 (1/2)		Rc 3/4 (3/4)		
Number of Boiler Sections		3	3	4	5	6
Flow and Return Connections		Rc 1 (1" BSP)				
MAXIMUM Static Water Head	m (ft.)	30.5 (100) (3 bar)				
MINIMUM Static Water Head	m (ft.)	1.0 (3.3)				
Electrical Supply		230 V ~ 50 Hz				
External Fuse Rating (Power Consumption)		3 A (5 W)				
Water Content	litre (gal.)	7.4 (1.6)	7.4 (1.6)	9.8 (2.1)	12.2 (2.7)	14.6 (3.2)
Dry Weight	kg. (lb.)	89 (196)	89 (196)	111 (245)	134 (295)	157 (346)
Boiler Size	Height	mm (in.) 850 (33.5)				
	Width	mm (in.) 440. (17.4)				
	Depth	533 (21.0)	533 (21.0)	533 (21.0)	600 (23.6)	750 (29.5)
Gas Type		II _{2H3P}				
Flue Connection	mm (in.)	100 (4)		125 (5)	150 (6)	

Table 2 - Performance Data

Boiler Size		CF 3/60P	CF 3/75P	CF 3/100P	CF 3/125P	CF 3/140P	
Boiler Input	NOMINAL	kW (Btu/h)	22.1 (75 400)	27.3 (93 100)	35.8 (122 100)	43.4 (148 100)	53.5 (182 500)
	Gas Consumption	l/s (ft. ³ /h)	0.246 (31.8)	0.287 (37.1)	0.377 (48.8)	0.457 (59.2)	0.563 (72.9)
Boiler Output to Water	NOMINAL	kW (Btu/h)	18.1 (61 600)	22.2 (75 800)	29.3 (100 000)	35.6 (121 600)	44.3 (151 100)
	Burner Setting Pressure (hot)	mbar (in w.g.)	35.4 (14.2)	35.0 (14)	35.0 (14)	35.1 (14)	34.9 (14)
Inlet Pressure	NOMINAL	mbar (in w.g.)	37.0 (14.8)	37.0 (14.8)	37.0 (14.8)	37.0 (14.8)	37.0 (14.8)
	Flue Gas Flow Rate	g/s	10.6	13.1	17.2	20.8	25.7
Flue Gas Temperature	°C	125	134	129	140	132	
Seasonal Efficiency(SEDBUK)*	%	72.7	72.3	72.0	72.8	73.0	

*The value is used in the UK government's Standard Assessment Procedure (SAP) for energy rating of dwellings. The test data from which it has been calculated have been certified by BGplc 0087)

Notes.

1. Gas consumption is calculated using a calorific value of 95.0 MJ/m³ (2500 Btu/ft.³)
2. To obtain the fuel consumption in liquid form divide the above figures by 270.
3. The appliance is pre-set at the factory to give the nominal output at an inlet pressure of 37 mbar (14.8 in.w.g.)
4. A conversion kit is available to convert this appliance for use on natural gas. This kit contains all parts and instructions for setting up on natural gas. Once converted it is not possible to convert back to propane.

Key to symbols

- GB** = United Kingdom **IE** = Ireland (Countries of destination)
PMS = Maximum operating pressure of water
B_{11BS} = An appliance designed for connection to a flue discharging the products of combustion outside the room, with air for combustion being drawn directly from the room where the appliance is installed, without a fan in the combustion products circuit and fitted with a combustion products discharge safety device.
II_{2H3P} = An appliance designed for use on 2nd Family gas, Group H and 3rd Family gas, Group P.

GENERAL

CONTENTS

Air Supply	7
Boiler Assembly - Exploded view	9
Boiler Clearances	6
Burner Assembly - Exploded view	39 & 40
Control Panel Assembly - Exploded view	41
Downdraught Thermostat	7
Electrical Connections	15
Electrical Diagram	15
Electrical Supply	8
Fault Finding	34
Flue Fitting	14
Flue Installation	7
Gas Safety	5
Gas Supply	5
Initial Lighting	19
Installation	9
Mandatory Requirements	5
Pump	14
Servicing	21
Short List of Parts	35
System Electrical Diagrams	16
Water Circulation	8
Water Connections	6
Water Systems	12

Mexico Super CF - Propane

Mexico Super	CF 3/60P	G.C. No. 41 348 99
Mexico Super	CF 3/75P	G.C. No. 41 349 23
Mexico Super	CF 3/100P	G.C. No. 41 349 24
Mexico Super	CF 3/125P	G.C. No. 41 349 25
Mexico Super	CF 3/140P	G.C. No. 41 349 26

Propane only Appliance type: B₁₁BS

B.G. Certified - P.I. No. 87 AT 15

Destination Countries: GB, IE

INTRODUCTION

The **Mexico Super CF** propane range is of floor standing, natural draught, open flue gas boilers. They are range-rated to provide central heating outputs of 18.1kW (61 600 Btu/h) to 44.3 kW (151 100 Btu/h).

The boiler has a cast iron heat exchanger and is supplied fully assembled, complete with a white enamelled mild steel casing.

The boilers are suitable, as standard, for connection to open-vented systems ONLY. An overheat thermostat kit is available to allow the boiler to be used on sealed water systems.

The systems may be:

- pumped or gravity circulating indirect DHW only.
- pumped central heating only.
- pumped central heating combined with either a pumped or gravity circulating indirect DHW circuit.

OPTIONAL EXTRA KITS

Programmer Kit Fits neatly within the casing. Separate fitting instructions are included with this kit.

Pump Kit Fits neatly within the casing. Separate fitting instructions are included with this kit.

**Overheat
Thermostat Kit** Available to allow the boiler to be used on sealed water systems.


NOTE TO THE INSTALLER: LEAVE THESE INSTRUCTIONS ADJACENT TO THE GAS METER. ALSO COMPLETE THE BENCHMARK LOG BOOK AND GIVE THIS TO THE CUSTOMER.



GENERAL

GAS SAFETY

Gas Safety (Installation and Use) Regulations 1994, amendments 1996 or rules in force.

It is law that **all** gas appliances are installed by a CORGI registered installer (identified by ) in accordance with the above regulations. Failure to install appliances correctly could lead to prosecution. It is in your own interest, and that of safety, to ensure the law is complied with.

The installation of the boiler MUST also be in accordance with the latest I.E.E. (BS 7671) Wiring Regulations, local building regulations, bylaws of the local water authority, the Building Regulations and Building Standards (Scotland) and any relevant requirements of the local authority.

Detailed recommendations are contained in the following British Standard Codes of Practice:

BS. 6891	Low pressure installation pipes.
BS. 6798	Installation of gas fired hot water boilers of rated input not exceeding 60 kW.
BS. 5449:1	Forced circulation hot water systems (small bore and microbore domestic central heating systems).
BS. 5546	Installation of gas hot water supplies for domestic purposes (2nd Family Gases).
BS. 5440: 1	Flues for gas appliances of rated input not exceeding 60 kW.
BS. 5440: 2	Ventilation for gas appliances of rated input not exceeding 60 kW.
BS 7593	Treatment of water in Domestic Hot Water Central Heating Systems.

Health and Safety Document No. 635.

The Electricity at Work Regulations, 1989.

Manufacturer's notes must NOT be taken in any way as overriding statutory obligations.

IMPORTANT.

These appliances are certificated by the British Standards Institution for safety and performance. It is important, therefore, that no external control devices, e.g. flue dampers, economisers etc., are directly connected to these appliances unless covered by these Installation and Servicing Instructions or otherwise recommended by **Caradon Plumbing Ltd.** in writing. If in doubt please enquire.

Any direct connection of a control device not approved by **Caradon Plumbing Ltd.** could invalidate the BSI Certification and the normal appliance warranty. It could also infringe the Gas Safety Regulations and the above regulations or other statutory requirements.

LOCATION OF BOILER

The boiler must be installed on a flat and level floor, capable of adequately supporting the weight of the boiler and any ancillary equipment.

The boiler may be fitted on a combustible floor.

Insulation is not necessary, unless required by the local authority.

The boiler must not be fitted outside.

The boiler must not be installed in a bedroom or in a room containing a bath or shower.

Timber Framed Buildings

If the boiler is to be fitted in a timber framed building it should be fitted in accordance with the Institute of Gas Engineering document IGE/UP/7:1998.

Compartment Installations

A compartment used to enclose the boiler MUST be designed and constructed specially for this purpose. An existing cupboard or compartment may be used, providing it is modified for the purpose.

Details of essential features of cupboards /compartment design, including airing cupboard installation, are to conform to the following:

- BS. 6798.
- The position selected for installation MUST allow adequate space for servicing in front of the boiler and for air circulation around the boiler.

Side clearance is only necessary for installation. The amount of side clearance will depend upon the type of connection used.
- This position MUST also permit the provision of a satisfactory flue and an adequate air supply.
- For the minimum clearances required for safety, and subsequent service, see Frame 2.

GAS SUPPLY

The local propane supplier should be consulted, at the installation planning stage, in order to establish the availability of an adequate supply of gas.

Check that the appliance is suitable for the proposed gas supply.

Installation pipes, cylinders and pressure regulators should be fitted in accordance with BS. 5482.1.

Bulk tank installations must comply with the Home Office code of practise for the storage of liquified petroleum gas at fixed installations.

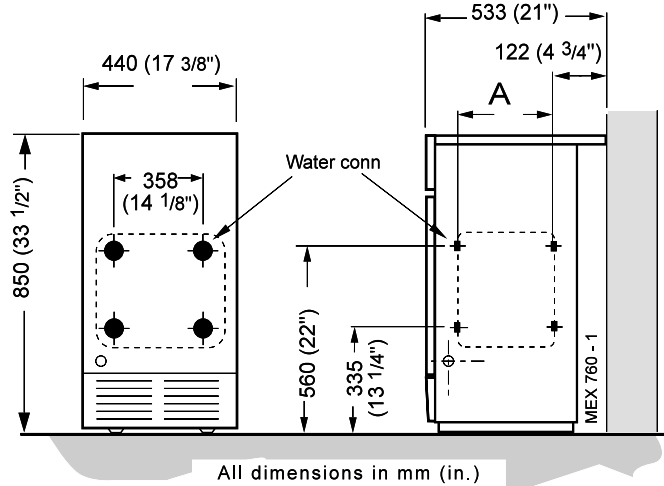
The complete installation MUST be tested for gas soundness and purged as described in the above code.

GENERAL

1 BOILER WATER CONNECTIONS

1. This appliance is NOT suitable for use in a direct hot water system.
2. If the boiler is to be used on a sealed system, an **Overheat Thermostat Kit** is available and must be installed in accordance with the instructions supplied with the kit.

Boiler	Dim. A	Dim. B	Dim. C
CF 3/60P & 3/75P	218 (8 5/8")	122 (4 3/4")	533 (21")
CF3/100P	291 (11 1/2")	122 (4 3/4")	533 (21")
CF 3/125P	363 (14 1/4")	122 (4 3/4")	600 (23 5/8")
CF 3/140P	436 (17 1/8")	202 (8")	750 (29 1/2")



2 FLOOR MOUNTING AND BOILER CLEARANCES

Flammable materials must not be placed in close proximity to the appliance.

Materials giving off flammable vapours must not be stored in the same room as the appliance.

FLOOR MOUNTING

1. The floor must be flat, level and of suitable load bearing capacity.
2. The back of the boiler may be fitted up to the wall.

BOILER CLEARANCES

The minimum overall dimensions - measured in mm (in.) - of the space in which the boiler is to operate and to facilitate servicing are as follows:-

Additional space will be required for installation, depending upon site conditions.

IMPORTANT.

In order to facilitate gas connection, a clearance of at least 100 mm (4") must be available at either the LH side or the RH side DURING installation. Refer to Frame 7.

A MINIMUM clearance of 25mm (1") MUST also be maintained between the flue pipe and any adjacent combustible material.

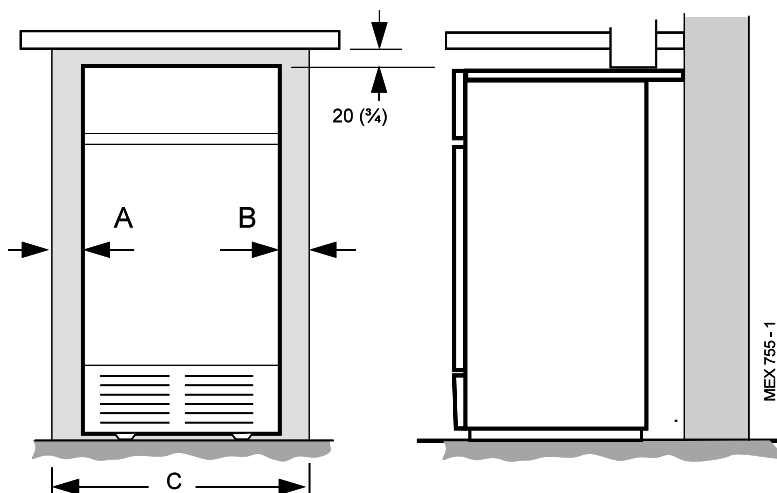
In addition a MINIMUM clearance of 533 mm (21") MUST be available at the front of the boiler, for servicing.

Boiler Size	Width	Depth	Height
CF3/60P & 75P	550 (21 5/8)	535 (21)	870 (34 1/4)
CF3/100P	575 (22 5/8)	535 (21)	870 (34 1/4)
CF3/125P	650 (25 5/8)	600(23 5/8)	870 (34 1/4)
CF3/140P	740 (29 1/8)	750 (29 1/2)	870 (34 1/4)

Boiler Clearances mm. (in)	Top	One side 'A' or 'B'	Aggregate 'A' + 'B'
CF 3/60P & 3/75P	20 (3/4)	10 (3/8)	110 (4 1/2)
CF 3/100P	20 (3/4)	35 (1 3/8)	135 (5 1/4)
CF 3/125P	20 (3/4)	50 (2)	210 (8 1/4)
CF 3/140P	20 (3/4)	150 (6)	300 (12)

Front View

Side View



Note. 3/100P ONLY. If minimum LH side clearance is used, the TTB downdraught thermostat and bracket should be moved to the RH side of the boiler (alternative location).

GENERAL

FLUE INSTALLATION

The flue must be installed in accordance with the recommendations of BS. 5440:1.

The following notes are intended for general guidance:

1. The cross-sectional area of the flue, serving the boiler, **MUST NOT** be less than the area of the flue outlet of the boiler.

If flue pipe is to be used it **MUST NOT** be less than the diameter of the flue outlet connection on the boiler.
2. Flue pipes and fittings should be constructed from one of the following materials:
 - a. Aluminium or stainless steel.
 - b. Cast iron, coated on the inside with acid resistant vitreous enamel.
 - c. Other approved material.
3. If twin walled flue pipe is used it should be of a type acceptable to British Gas.
4. If a chimney is to be used it should preferably be one that is composed of, or lined with, a non-porous acid resistant material.

Notes.

Chimneys lined with salt -glazed earthenware pipes are acceptable if the pipes comply with BS.65 and BS.5440:1.

A flue pipe constructed from one of the materials listed in 2 a-c should form the initial connection to the lined chimneys.

*Where a chimney is to be used that is **not** composed of, or lined with, a non-porous, acid resistant material it should be lined with a stainless steel flexible flue liner which complies with BS.715.*

5. Before connecting the boiler to, or inserting a liner into, a flue that has been previously used then the flue **MUST** be thoroughly swept clean of any soot or loose material. If a register plate, restrictor plate or damper etc., is fitted in the flue then it **MUST** be removed before connecting the boiler to, or inserting a liner into, the flue.
6. The flue should terminate in accordance with the relevant recommendations given in BS.5440:1.
7. The flue **MUST** be fitted with a terminal (or ridge tile up to 5" flue diameter). The terminal shall be of a type which has been tested and found satisfactory by British Gas. This terminal **MUST NOT** be installed within 600mm (24") of an opening window, air vent or any other ventilation opening.
8. The chimney / flue lining **MUST** be sealed at both the top and the bottom.

IMPORTANT. It is absolutely **ESSENTIAL** to ensure, in practice, that the flue discharge is in a draught-free zone and that products of combustion discharging from the terminal cannot re-enter the building or any other adjacent building through ventilators, windows, doors, other sources of natural air infiltration or forced ventilation / air conditioning systems.

TTB DOWNDRAUGHT THERMOSTAT

This appliance is fitted with a TTB draught thermostat for added safety and protection. If this thermostat should operate and switch off the appliance it is because the flue is subject to

draught, probably as a result of adverse wind conditions .

The TTB is an automatic reset thermostat which will reset once the wind conditions have returned to normal, subject to a built-in reset delay in excess of 10 minutes

The TTB is an important safety device and must not be put out of action or interfered with in any way.

This device is not a substitute for an independently mounted carbon monoxide detector.

In cases of repeated or continuous shutdown a competent person should be called to investigate and rectify the condition causing this and carry out an operational test after each intervention on the device. Only the manufacturer's original parts should be used for replacement.

AIR SUPPLY

Detailed recommendations for air supply are given in BS.5440:2. The following notes are for general guidance:

1. The room or internal space in which the boiler is installed **MUST** have, or be provided with, a permanent air vent. This vent **MUST** be either direct to outside air or to an adjacent room or internal space which must itself have, or be provided with, a permanent air vent at least the same size direct to outside air.

The minimum effective area of the permanent air vent(s) are

Table 3

Boiler size	3/60P	3/75P	3/100P	3/125P	3/140P
Effective area cm ²	74	101	135	179	216
(in ²)	(12)	(16)	(21)	(28)	(34)

specified below and are related to maximum rated heat input of the boiler -see Table 3.

The air vent(s) must **NOT** have provision for closing or adjustment and should be sited to avoid risk of accidental damage or blockage.

If other methods of ventilation are envisaged, British Gas should be consulted before proceeding.

2. If the boiler is to be installed in a cupboard or compartment, permanent air vents are required (for combustion, flue dilution and cooling purposes) in the cupboard / compartment, at both high and low levels to ensure safe and efficient combustion and ventilation.

The air vents may either communicate with room/internal space (appropriately ventilated) or be direct to outside air. The minimum effective areas of the permanent air vents, required in the cupboard / compartment, are specified as follows and are related to maximum rated heat input of the boiler (see Table 4).

Notes.

- a. *Both air vents **MUST** communicate with the same room or internal space or **MUST** be on the same wall to outside air.*
- b. *In siting the air vents care must be taken to avoid the freezing of pipework.*
- c. *Where cupboard / compartment air vents are open to a room or internal space, the room or internal space **MUST** itself be provided with a permanent air vent, as previously specified.*
- d. *The cupboard / compartment air vents must **NOT** communicate with a bedroom, bed-sitting room or a room containing a bath or shower.*

GENERAL

Table 4 - High and low vent areas

Boiler	Air from room/internal space cm^2 ($in.^2$)		Air direct from outside cm^2 ($in.^2$)	
	High Level	Low Level	High level	Low Level
CF 3/60P	211(33)	422 (66)	106 (17)	211 (33)
CF 3/75P	264 (41)	528 (82)	132 (21)	264 (41)
CF 3/100P	333 (52)	666 (100)	167 (26)	333 (52)
CF 3/125P	420 (65)	840 (130)	210 (33)	420 (65)
CF 3/140P	495 (77)	990 (154)	248 (39)	495 (77)

EFFECT OF AN EXTRACTOR FAN

If there is any type of extractor fan fitted in the premises there is a possibility that, if an adequate air inlet area from outside is not provided, spillage of the boiler flue products could occur when the fan is in operation. Where such installations occur a spillage test, as detailed in BS.5440:1, MUST be carried out and any necessary action taken.

VENTILATION IN SERIES

In installations requiring 2 ventilators to be fitted in series, e.g. across a cavity wall, EACH ventilator should be sized in accordance with the above data. Where there are more than 2 ventilators in series, EACH should have an area of 50% in excess of the value quoted above.

WATER CIRCULATION SYSTEM

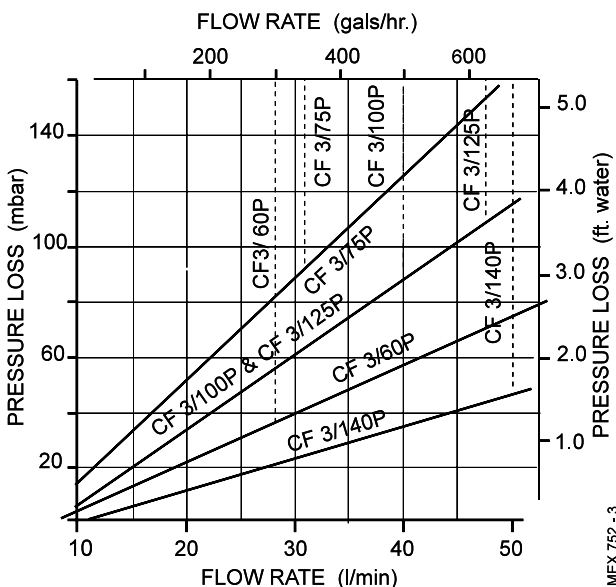
The boiler must NOT be used for direct hot water supply.

The boiler is suitable for connection to pumped open vent central heating systems, pumped central heating combined with pumped or gravity indirect domestic hot water supply systems and gravity or pumped indirect domestic hot water supply systems.

The boiler is NOT suitable for gravity heating systems.

The hydraulic resistances of the boiler at *maximum output* with 11 °C (20 °F) temperature differentials are shown in the following graph:

Water Flow Rate and Pressure Loss



Dotted lines indicate flow rates equivalent to a temperature rise of 11°C (20°F)

The central heating system should be in accordance with BS. 6798 and, in addition, for smallbore and microbore systems, BS. 5449:1.

The domestic hot water system, if applicable, should be in accordance with the relevant recommendations of BS. 5546.

Copper tubing to BS. 2871:1 is recommended for water carrying pipework.

The hot water storage cylinder MUST be of the indirect type and should preferably be manufactured of copper.

Single feed, indirect cylinders are not recommended and must NOT be used on sealed systems.

The hot water cylinder and ancillary pipework not forming part of the useful heating surface should be lagged to prevent heat loss and any possible freezing - particularly where pipes run through roof spaces and ventilated underfloor spaces.

IMPORTANT

The boiler must be vented. If venting cannot be done via a flow connection a separate vent MUST be fitted by the installer.

Draining taps MUST be located in accessible positions, which permit the draining of the whole system, including the boiler and hot water storage vessel. They should be at least 1/2" BSP nominal size and be in accordance with BS. 2879.

If required, a drain tap (not supplied) may be fitted to an unused bottom (1" BSP) tapping on the front of the boiler.

THERMOSTATIC RADIATOR VALVES

Caradon Plumbing Ltd. recommend that heating systems utilising full thermostatic radiator valve control of temperature in individual rooms should also be fitted with a room thermostat controlling the temperature in a space served by radiators not fitted with such a valve, as stated in BS. 5449.

When thermostatic radiator valves are used, the space heating temperature control over a living / dining area or hallway having a heating requirement of at least 10% of the boiler heat output should be achieved using a room thermostat, whilst other rooms are individually controlled by thermostatic radiator valves. However, if the system employs thermostatic radiator valves on all radiators, or two port valves without end switches then a bypass must be fitted in order to ensure a flow of water should all the valves be in the closed position.

ELECTRICAL SUPPLY

WARNING. The appliance MUST be efficiently earthed.

Wiring external to the appliance MUST be in accordance with the current I.E.E. (BS 7671) Wiring Regulations and any local regulations which apply.

The boiler is supplied for 230 V ~ 50Hz single phase.

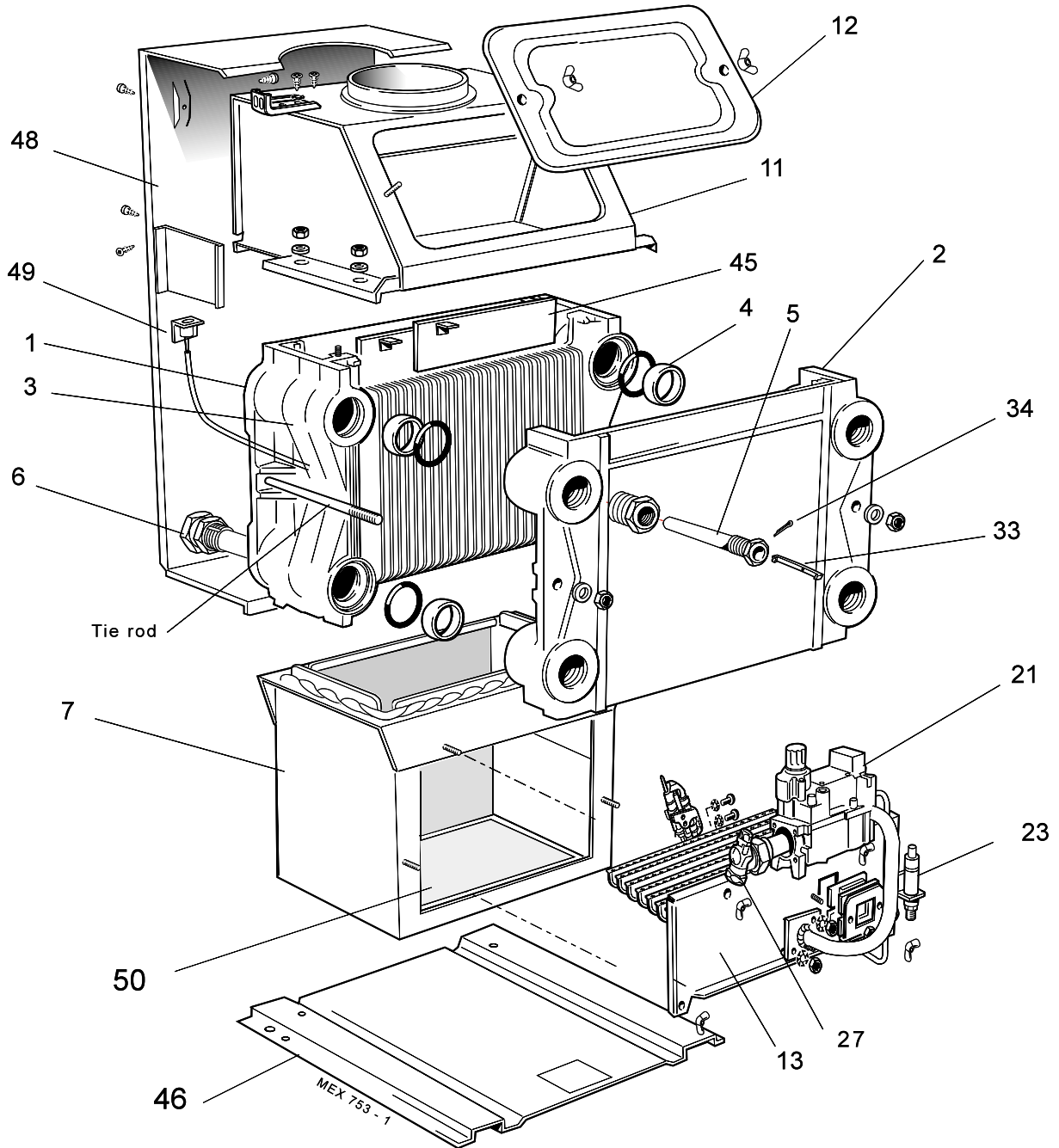
Fuse rating is 3A.

Connection must be made in a way that allows complete isolation of the electrical supply such as a double pole switch having 3mm (1/8") contact separation in both poles, or a plug and socket, serving only the boiler and system controls. The means of isolation must accessible to the user after installation.

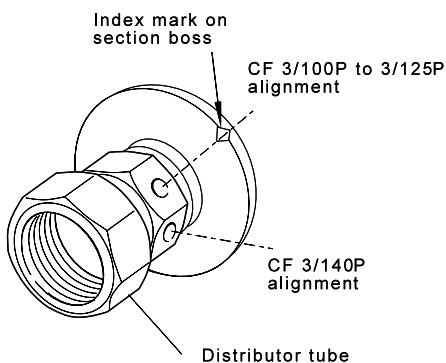
INSTALLATION

3 BOILER ASSEMBLY - Exploded View

Mexico Super CF 3/60P shown



Detail of distributor tube alignment



LEGEND

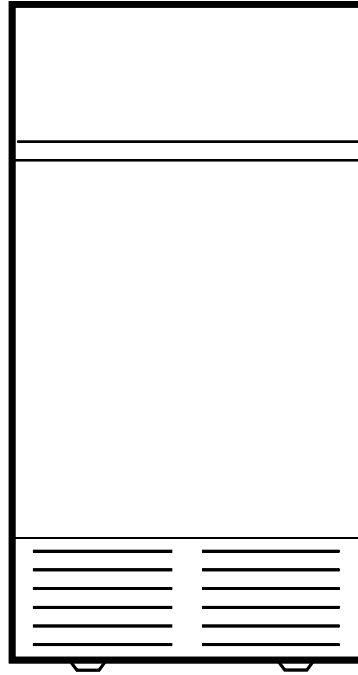
- | | |
|---|---|
| 1. Heat exchanger assy. | 13. Front plate assy. |
| 2. End section. | 21. Gas valve. |
| 3. Middle section. | 23. Piezo igniter. |
| 4. Section alignment rings and 'O' rings. | 27. Gas cock. |
| 5. Thermostat pocket. | 33. Phial retaining clip. |
| 6. Distributor tube. | 34. Split pin. |
| 7. Combustion chamber. | 45. Flue baffle. |
| 11. Collector hood. | 46. Boiler base plate. |
| 12. Cleanout cover. | 48. Draught diverter back panel assembly |
| | 49. TTB downdraught thermostat & bracket. |
| | 50. Heat shield. |

INSTALLATION

4 UNPACKING

The boiler is supplied fully assembled in Pack A.

Unpack and check the contents.



Pack A Contents

- complete boiler
- the Hardware Pack (listed separately below)
- these Installation and Servicing Instructions
- User's Instructions.

HARDWARE PACK

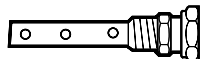
- 1" BSP plugs - 6 off



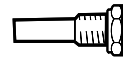
- 1" x 1/2" BSP reducing bush - 1 off



- Distributor tube



- Thermostat pocket - 1 off



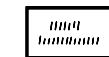
- Thermostat clip - 1 off



- Thermostat retaining pin - 1 off



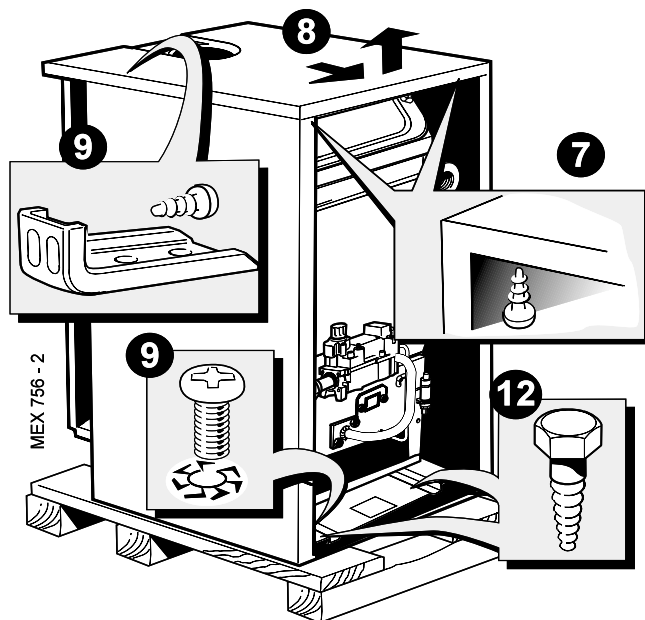
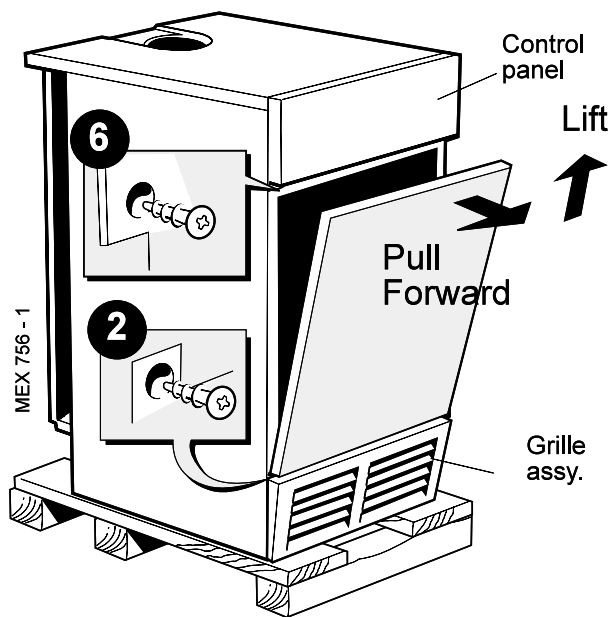
- Output setting label - 1 off



5 BOILER CASING REMOVAL

To install the boiler the casing **MUST** be removed.

1. Lift off the lower front panel.
2. Remove 2 screws and lift off grille assembly.
3. Remove the gas valve cover by removing the retaining screw. Disconnect the electrical leads.
4. Release the gas valve lead from the retaining clip.
5. Remove the 2 screws securing the control panel and disengage the panel by lowering and pulling it forward.

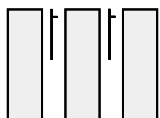


6. Remove the 2 screws securing the top panel to the side.
7. Draw the top panel forward and lift it off the boiler.
8. Remove the 2 screws securing LH side panel to the flue collector and baseplate.
9. Pull the panel forward, lifting it clear of the locating peg and remove.
10. Repeat steps 7 and 8 to remove the RH panel.
11. The boiler is held to the packaging base by 4 M6 hex head screws. Remove the front screws, slacken the rear screws and remove the boiler from the packaging base.

6 CHECKING THE FLUEWAY BAFFLES

1. Remove the flue cleanout cover.
2. **CF 3/75P, CF 3/100P & CF 3/140P only.** Ensure that the baffles are fully inserted in the flueways.

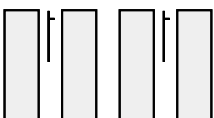
CF 3/75P



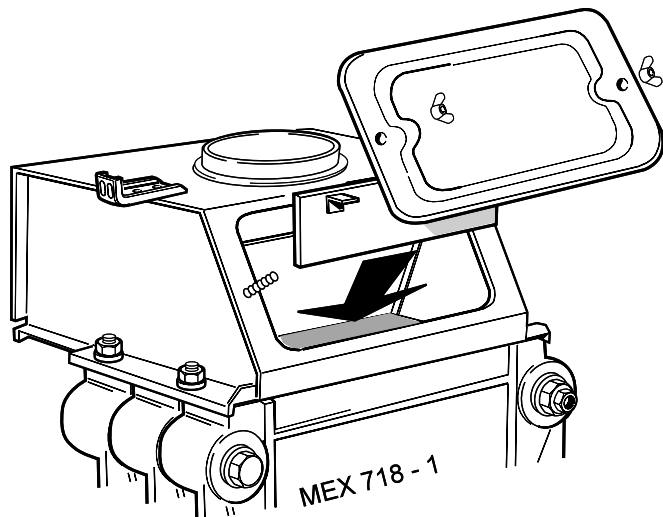
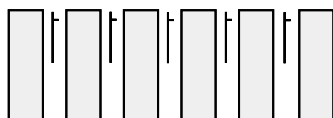
MEX 759 - 5

Side view of boiler sections showing the baffle arrangements

CF 3/100P



CF 3/140P



INSTALLATION

7 PREPARING THE BOILER

Notes.

- Before placing the boiler in the selected position any gas and water connections at the rear of the boiler should be prepared, due to the possible lack of access.
- If an optional Pump Kit is to be used then it must be fitted at this stage. Refer to separate fitting instructions included with the kit.

1. Screw the distributor tube (supplied with a 1" BSP x 28mm copper adaptor) into the selected heating return tapping, using an appropriate jointing material.

It is **IMPERATIVE** that the **INDEX MARK** on the distributor bush is in alignment with the mark on the section boss, as shown in Frame 3.

DO NOT disturb it when connecting subsequent pipework.

Fully pumped systems using more than 1 pump, serving separate zones, must have a common return connection to the distributor tube.

2. Select the desired pumped flow tapping.
3. Screw the supplied boiler thermostat pocket into the appropriate front section tapping, using an approved jointing material. Refer to Tables 5 and 6.
4. Connect pipe fittings to the rear tappings and plug any unused tappings. **Note.** If using iron elbows fit a short straight connector into the boiler tapping first, to clear the casing when fitted.
5. Place the boiler in position. **Note.** The pump may be fitted on the **FLOW** or **RETURN**.

Table 5 - Fully Pumped Systems

Connections - as viewed at front		Thermostat position
Back Section		Front Section
Flow	Return	Top
LH	LH	LH
LH	RH	LH
RH	RH	RH
RH	LH	RH
CF 3/140P ONLY		
LH	LH	LH
RH	RH	RH

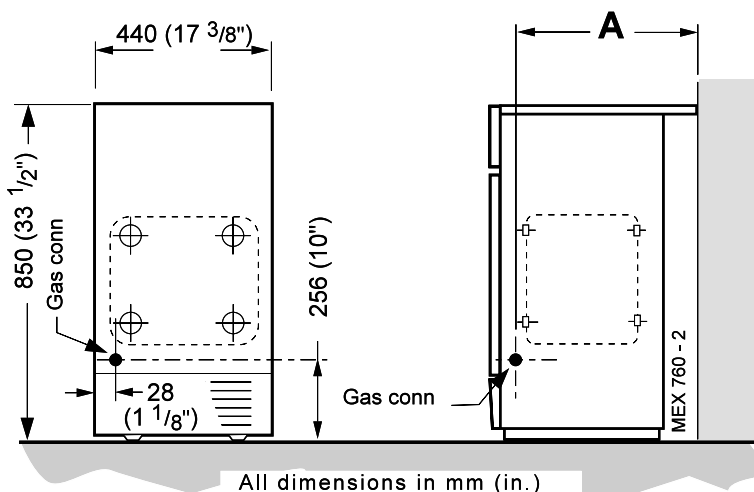
Table 6 - Gravity Domestic Hot Water & Pumped Central Heating

Connections - as viewed at front				Thermostat Position
Back Section				Front Section
CH		DHW		Top
Flow	Return	Flow	Return	
LH	LH	RH	RH	LH
LH	RH	RH	LH	LH
RH	RH	LH	LH	RH
RH	LH	LH	RH	RH
CF 3/140P ONLY				
LH	LH	RH	RH	LH
RH	RH	LH	LH	RH

8 GAS CONNECTION

1. A MINIMUM working gas pressure of 37 mbar (14.8 in.w.g.) MUST be available at the boiler inlet, with the boiler operating.
2. Extend a gas supply pipe to the boiler (for size refer to Table 1 on page 3) and connect to the gas cock situated at the front LH side of the boiler.
3. Test the gas installation for soundness and purge in accordance with BS.6891: 1988. Refer to Frame 22, item B.

Boiler size	Dim. A
CF 3/60P & 3/75P	410 (16 1/8")
CF 3/100P	483 (19")
CF 3/125P	553 (21 3/8")
CF 3/140P	702 (27 5/8")



All dimensions in mm (in.)

INSTALLATION

9 WATER CONNECTION

1. Connect the system flow and return pipework to the boiler as appropriate. Refer to Frames 10 and 11 for guidance on system design.

Connection sizes

All water connections are RC 1 (1" BSP) but pumped pipework must be increased to:

CF 3/125P only 35 mm (1 1/4" BSP)

CF 3/140P only 42mm (1 1/2" BSP)

immediately after leaving the boiler.

Gravity pipework and connections must be at least:

CF 3/100P & 3/125P only 28 mm (1" BSP)

CF 3/140P only 35mm (1 1/2" BSP)

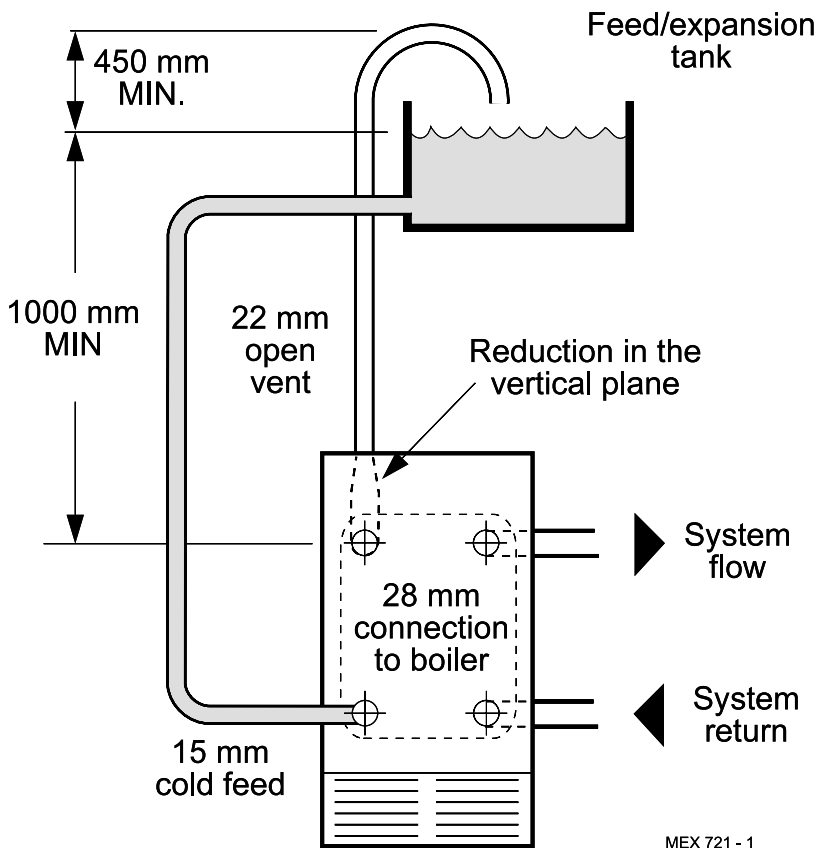
2. Ensure that all valves are open. Fill and vent the system and check for water soundness.

Notes.

- a. Isolating valves must be fitted as close to the pump as possible.
- b. The boiler is not suitable for use with a direct hot water cylinder or a sealed system.

10 MINIMUM REQUIREMENTS Fully pumped systems

1. Open vent and cold feed connections must be made to the boiler flow and return tapplings according to the options shown in Frame 7.
2. The boiler is assumed to be the highest point of the circulating system.
3. The circulating pump is positioned on the FLOW - the vertical distance, between the pump and feed/ expansion tank, must comply with the pump manufacturer's minimum requirements, to avoid cavitation. Should these conditions not apply, either lower the pump position or raise the feed/ expansion tank above the minimum requirements of **Caradon Plumbing Ltd.**
4. The water velocity through the boiler flow / return pipes is assumed to be below 1 m/s (3 ft./s.) whilst the pump flow rate is set to provide a temperature difference of 11°C (20°F) across the boiler flow / return, at design input.
5. This information is intended as a GUIDE ONLY and cannot take into account instantaneous changes in head caused by the operation of motorised valves, pumps etc.



MEX 721 - 1

Due allowance MUST be made if surging is liable to occur.

If in any doubt, contact **Caradon Plumbing Ltd.**

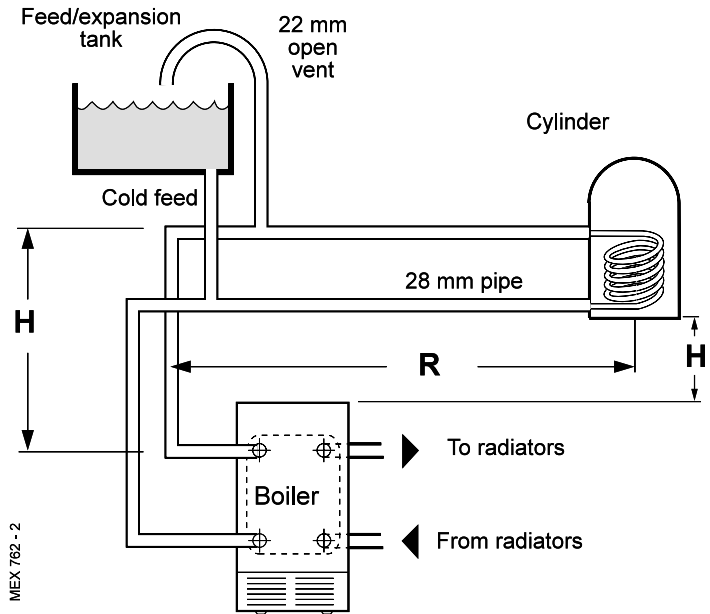
INSTALLATION

11 GRAVITY HOT WATER & PUMPED CENTRAL HEATING

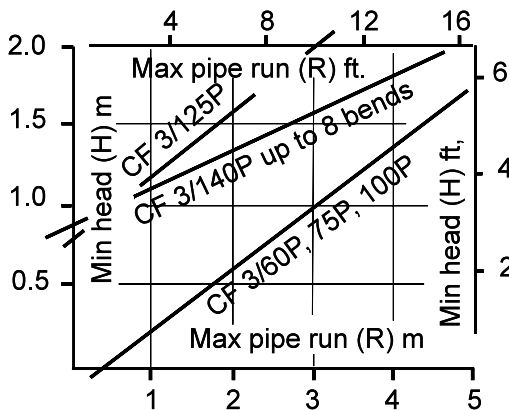
1. Separate flow and return connections are used for each service. All possible configurations are given in Frame 7 and *ONLY those shown should be used.*
2. The schematic pipework graph is based on the assumption that **NO MORE** than 8 elbows are used in the gravity loop, including entry to the boiler.
3. For each extra elbow in excess of 8, (R) **MUST** be reduced by 300 mm (12") or (H) increased by 100 mm (4")
4. Whatever value is selected for (R), the value of (H) **MUST** be at least that indicated by the graph

(R) = the horizontal distance between the centre line of the cylinder and the boiler tapplings used - measured along the pipe run

(H) = the vertical distance between the top of the boiler and the base of the cylinder



MEX 762 - 2



MEX 761 - 3

Notes.

- a. Flow and return pipes should rise vertically on leaving the boiler.
- b. Horizontal pipes should be ABOVE ceiling level and as short as possible.
- c. A **MINIMUM** inclination of 25 mm per 3 m run (1" per 10') is required to avoid air locks.

If the above conditions cannot be met then pumped primaries should be used.

12 FLUE CONNECTION

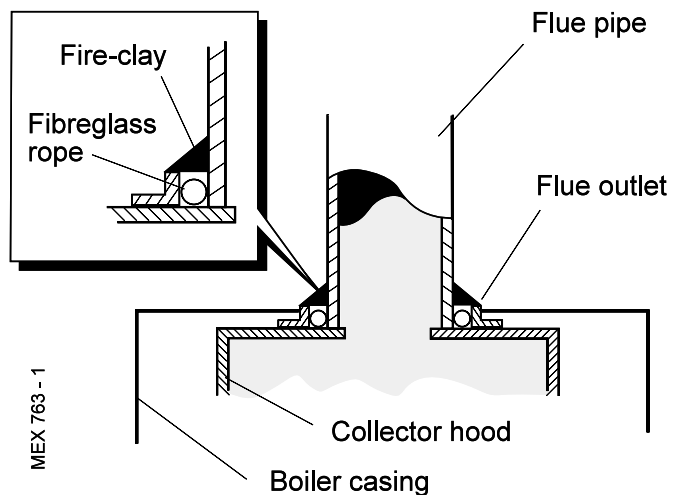
Connect the flue pipe to the flue outlet.

The flue pipe spigot and socket connections should be sealed with fibreglass rope, or similar, and suitable fireclay cement.

Notes.

- a. The boiler flue connection outlet size is suitable for flue pipe conforming to BS 567.
If sheet steel flue pipe is fitted, a suitable adaptor must be used.
- b. To facilitate installation and subsequent disconnection it is recommended that a slip or split socket be included in the flue installation, adjacent to the boiler flue outlet connection.
- c. A minimum of 600mm (2') of vertical flue directly above the boiler should be provided.

Detail of flue connection sealing arrangement



MEX 763 - 1

INSTALLATION

13 ELECTRICAL CONNECTIONS

WARNING.

The appliance **MUST** be efficiently earthed.

A mains supply of 230 V ~ 50 Hz fused at 3A is required.

All external controls and wiring **MUST** be suitable for mains voltage.

Wiring should be in 3-core PVC insulated cable **NOT LESS** than 0.75 mm² (24 x 0.2 mm) to BS.6500, Table 16.

Wiring external to the boiler **MUST** be in accordance with current I.E.E. (BS 7671) Wiring Regulations and local regulations.

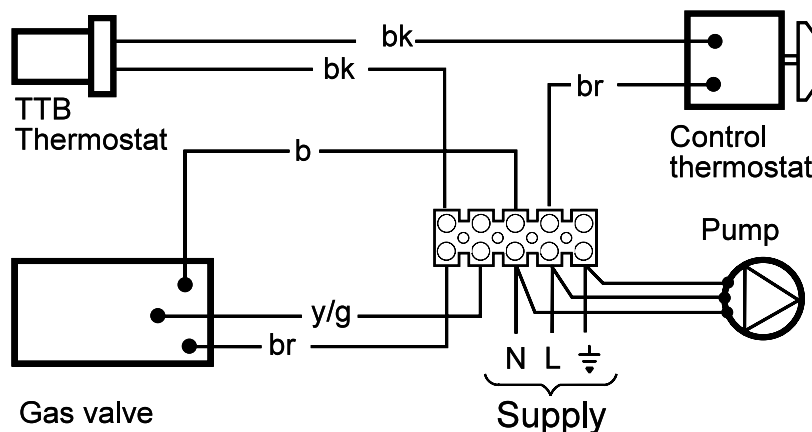
Connection must be made in a way that allows complete isolation of the electrical supply - such as a double pole switch, having a 3mm (1/8") contact separation in both poles, or a plug and socket serving only the boiler and system controls.

The means of isolation must be accessible to the user after installation (except in the case of bathroom installations for domestic boilers where the point of connection to the mains **MUST** be outside of the bathroom).

14 INTERNAL WIRING

Flow and pictorial wiring diagrams are shown in Frames 17 and 18. A schematic wiring diagram is included in the Lighting Instruction label.

1. Remove the securing screw and lift off the control box cover.
2. Route the electrical leads into the box and wire into the terminal strip, as shown.



MEX 724 - 2

Notes.

- a. Secure each lead with one of the cable clamps.
- b. The mains lead connection **MUST** be made so that, should the lead slip from its anchorage, the current conductors become taut before the earthing conductor.

15 EXTERNAL CONTROLS

External wiring must be in accordance with the current I.E.E. (BS 7671) Wiring Regulations.

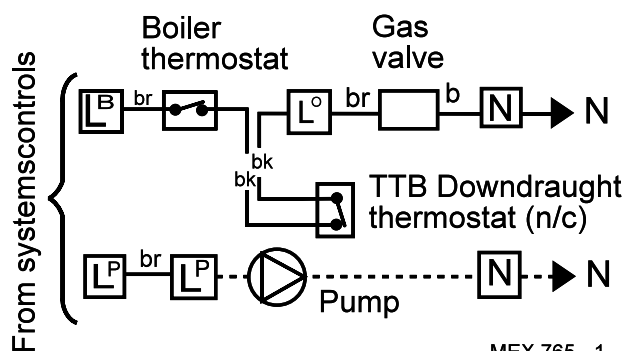
The wiring diagrams illustrated in Frames 17-19 cover the systems most likely to be fitted to this appliance.

For wiring external controls to the **Mexico Super CF P** boiler reference should be made to the system wiring diagrams supplied by the relevant manufacturer, in conjunction with this flow wiring diagram and Frame 14.

Difficulty in wiring should not arise, providing the following directions are observed:

1. Controls that switch the system on and off, e.g. a time switch, **MUST** be wired, in series, in the live mains lead to the boiler.
2. Controls that override an on/off control, e.g. a frost thermostat, **MUST** be wired into the mains lead, in parallel, with the control(s) to be overridden. Refer to Frame 20.

Flow wiring diagram



MEX 765 - 1

3. If a proprietary system is used, follow the instructions supplied by the manufacturer.

Advice on required modifications to the wiring may be obtained from the component manufacturers.

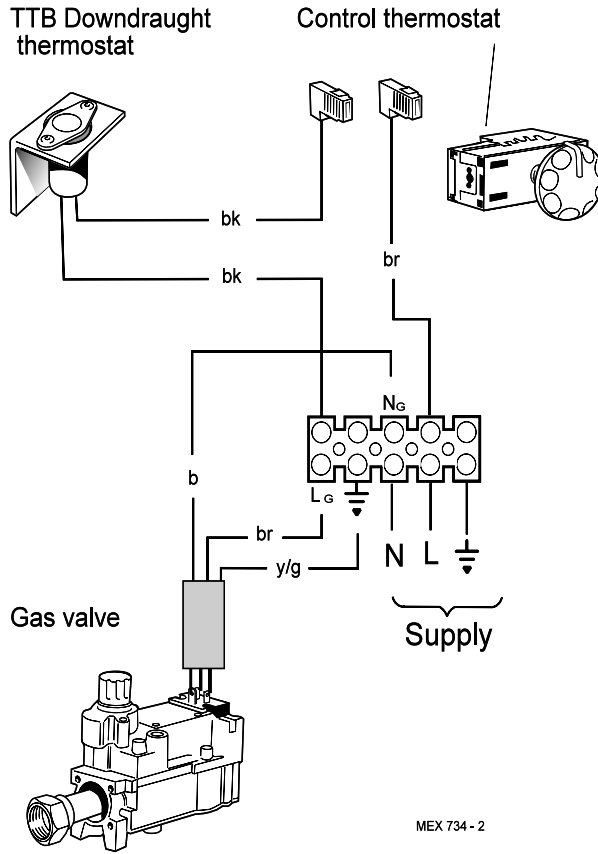
Note. If there are no external controls the circulating pump **MUST** be wired into the control box.

INSTALLATION

16 PICTORIAL WIRING

LEGEND

- b blue
- bk black
- br brown
- y/g yellow/green



MEX 734 - 2

17 MID POSITION VALVE

Pumped only

Notes.

1. Some earth wires are omitted for clarity. Ensure proper earth continuity when wiring.
2. Numbering of terminals on thermostats is specific to the manufacturer.
3. This is a fully controlled system - set the boiler thermostat to maximum.
4. 'Switchmaster Midi' is similar in operation but the wiring differs slightly; see manufacturer's literature.

TLX 2259
or 2284

RTE
RTM/RTC

Room Thermostat Terminals		
1	3	2
3	1	4
1	2	4
1	3	-
1	2	4
3	1	N
1	3	4
2	1	4

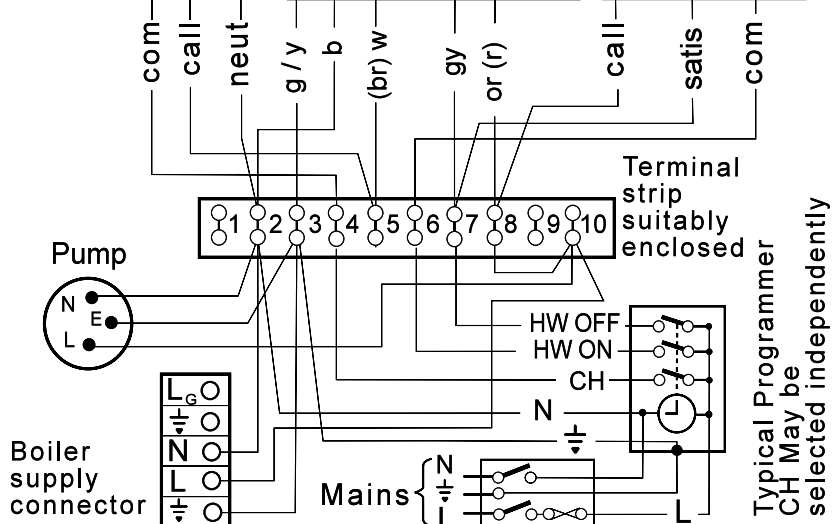
Mid Position valve details		
HONEYWELL Y PLAN V4073H 1039		
PEGLAR 'Unishare' DT 1701 etc.		
LANDIS & GYR 'LGM' SK3 - LT2701		
A. C. L. 679. H. 340.30.UO		
DRAYTON Flowshare 2		
SOPAC Centra Share ZV20 - EB MID		
DANFOSS DMV - 3M		
SWITCHMASTER		

Cylinder Thermostat Terminals		
1	2	c
1	2	3
2	3	1
1	2	3
bk	y	r
2	3	1
1	2	c
n. c.	n. o.	com.

MEX 726-1

LEGEND

- b blue
- bk black
- br brown
- r red
- or orange
- w white
- gy grey
- y/g yellow/green



Typical Programmer CH May be selected independently

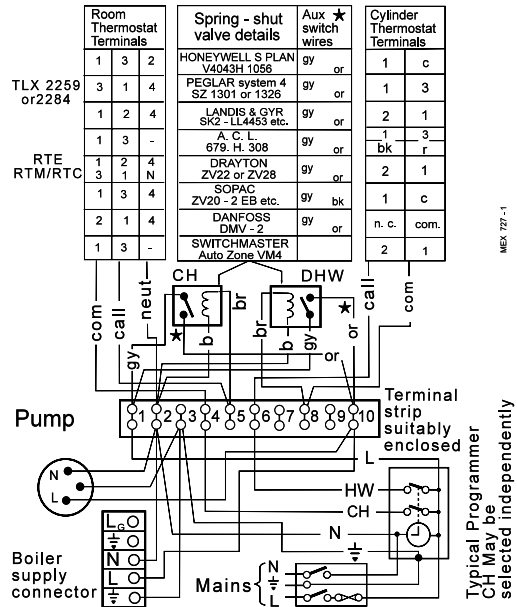
INSTALLATION

18 TWO SPRING CLOSED VALVES Pumped only

Notes.

1. Some earth wires are omitted for clarity. Ensure proper earth continuity when wiring.
2. Numbering of terminals on thermostats is specific to the manufacturer.
3. This is a fully controlled system - set the boiler thermostat to maximum.
4. 'Switchmaster Autozone' has grey and orange auxiliary switch leads but the orange wire only must be connected to the live supply.

LEGEND	br brown	or orange
b blue	r red	g/y green/yellow
bk black	w white	gy grey



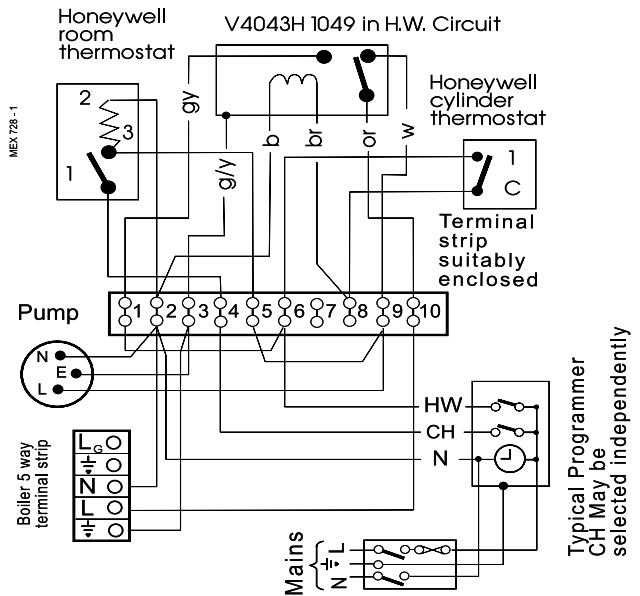
19 HONEYWELL 'C' PLAN

Gravity HW & Pumped CH

Notes.

1. Some earth wires are omitted for clarity. Ensure proper earth continuity when wiring
2. Numbering of terminals on thermostats is specific to the manufacturer.

LEGEND	bk black	b blue
w white	br brown	gy grey
r red	or orange	g/y green/yellow



20 FROST PROTECTION

Central heating systems fitted wholly inside the house do not normally require frost protection as the house acts as a 'storage heater' and can normally be left at least 24 hrs. without frost damage. However, if parts of the pipework run outside the house or if the boiler will be left off for more than a day or so then a frost 'stat' should be wired into the system.

This is usually done at the programmer, in which case the programme selector switches are set to OFF and all other controls MUST be left in the running position.

The frost 'stat' should be sited in a cold place but where it can sense heat from the system.

Wiring should be as shown, with minimal disturbance to other wiring of the programmer.

Designation of the terminals will vary, but the programmer and thermostat manufacturers' leaflets will give full details.

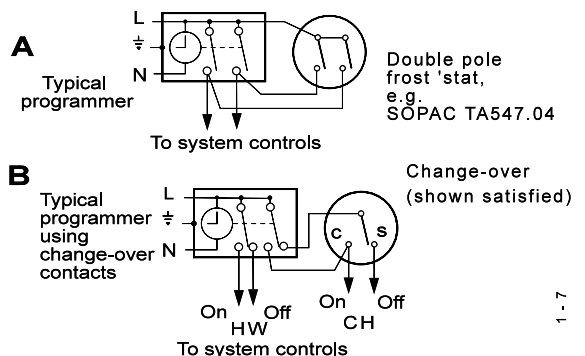


Diagram A shows a double pole frost thermostat, which should suffice for all systems which do not use the OFF terminals of the programmer.

Diagram B shows a 'change-over' frost thermostat, which will cover most systems which do use CH OFF. If, however, on such a system the HW pipework is in an isolated part of the house, a second frost thermostat may be used to protect it.

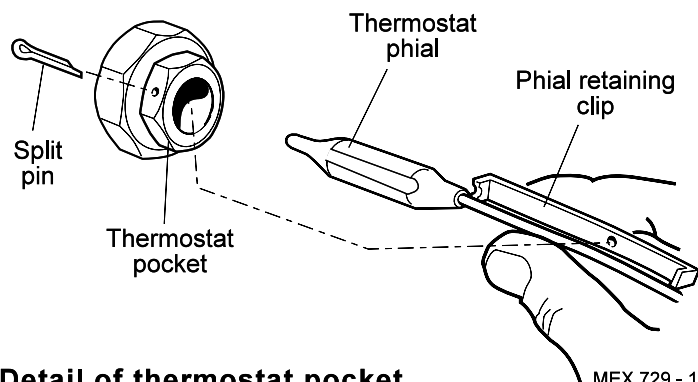
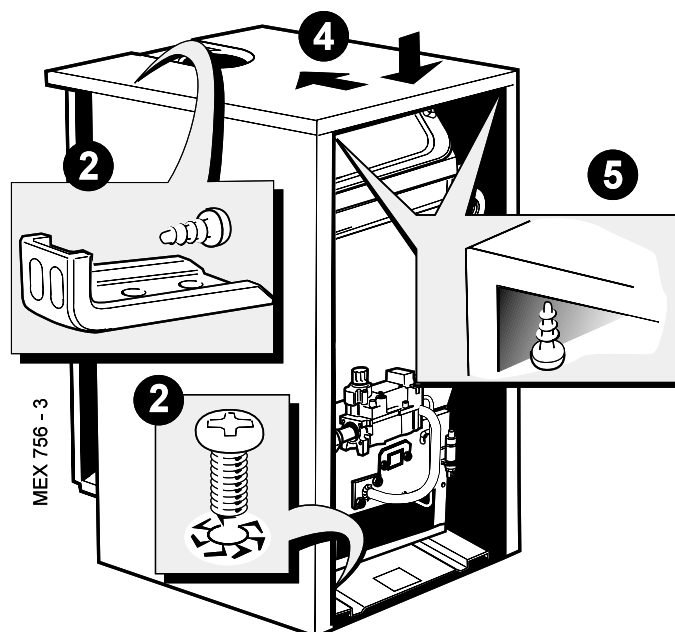
If in doubt, ask your installer for advice.

INSTALLATION

21 FITTING THE CASING

1. Offer up the RH side panel, locating it with the peg in the baseplate, and push the panel back.
2. Secure the panel to the baseplate and collector hood.
3. Repeat steps 1 and 2 to refit the LH side panel.
4. Place the top panel and push back.
5. Secure the top panel to the side panels.

IMPORTANT. Wiring within the boiler casing must be neatly secured with the cable straps provided and **MUST NOT** be allowed to touch the burner front plate, or the cleanout cover and the collector hood.



Detail of thermostat pocket

6. Replace the control box cover and refit the control panel using the screws previously removed.
7. Insert the thermostat phial and phial retaining clip into the thermostat pocket. Take care not to kink the thermostat capillary as it is unwound and secure it with the split pin as shown.
8. Refit the grille assembly

22 COMMISSIONING AND TESTING

A. ELECTRICAL INSTALLATION

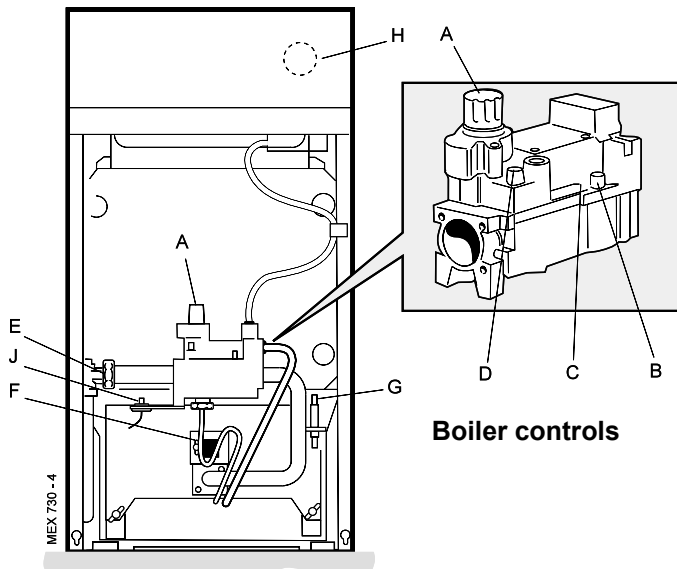
1. Checks to ensure electrical safety should be carried out by a competent person.
2. ALWAYS carry out preliminary electrical system checks, i.e. earth continuity, polarity, resistance to earth and short circuit using a suitable test meter.

B. GAS INSTALLATION

1. The whole of the gas installation, including the meter, **MUST** be inspected and tested for soundness, and purged in accordance with the recommendations of BS. 6891.
2. Purging air from the gas installation may be expedited by loosening the union on the gas service cock on the boiler and purging until gas is detected.
3. Retighten the union and check for gas soundness.

WARNING. Whilst effecting the required gas soundness test and purging air from the gas installation, open all windows and doors, extinguish naked lights and **DO NOT SMOKE.**

23 INITIAL LIGHTING



LEGEND

- A Gas control knob
- B Burner pressure test point
- C Main burner pressure adjuster
- D Inlet pressure test point
- E Gas service cock
- F Sightglass
- G Piezo ignition button
- H Boiler thermostat knob
- J Overheat thermostat (optional) reset button

1. Connect the gas valve electrical leads and refit the cover.
2. Check that the gas service cock (E) is ON and that the boiler thermostat control knob (H) is OFF.
3. Loosen the screw in the burner pressure test point (B) and connect a gas pressure gauge via a flexible tube.
4. Turn the gas control knob (A) CLOCKWISE until resistance is felt and then release it..
5. Push in and retain fully depressed the gas control knob (A). Press and release the piezo unit button (G) repeatedly until the pilot is seen to light through the sightglass (F).
6. Hold the gas control knob (A) depressed for 15 seconds after the pilot burner has ignited, then release.

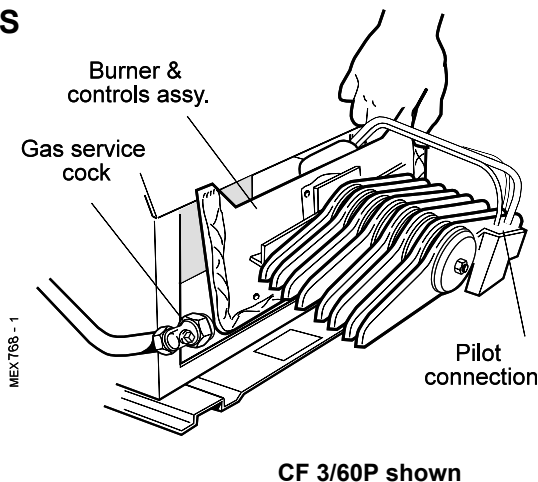
If the pilot burner fails to remain alight at this stage, repeat the procedure detailed above but wait longer than 15 seconds before releasing the gas control knob (A).
7. Check the appearance of the pilot flame to ensure that it envelops the tip of the thermocouple and is approximately 25mm (1") long. The pilot flame is factory set and no adjustment is possible.
8. Switch the boiler thermostat control knob (H) to position 6 and check that the burner cross-lights smoothly from the pilot flame.

Note. The pilot burner connection can be tested for gas soundness. Refer to Frame 24.
9. Test for gas soundness around the boiler gas component joints, using leak detection fluid.
10. Operate the boiler for 10 minutes to stabilise the burner temperature. The boiler is pre-set at the factory to its maximum nominal rating.
11. Immediately check that there is no spillage of combustion products from the draught diverter outlets by carrying out a spillage test as detailed in BS.5440:1.

Note. This must be done before any building in.
12. Turn the boiler thermostat knob (H) to OFF.
13. Remove the pressure gauge and tube. Retighten the screw in the pressure test point, ensuring that a gas-tight seal is made.

24 PILOT BURNER CONNECTION GAS SOUNDNESS

1. Turn the gas service cock to OFF and undo the union nut.
2. Remove the 4 wing nuts and withdraw the burner and controls assembly, complete, from the boiler.
3. Invert the burner assembly and reconnect to the gas service cock.
4. Turn the gas service cock to ON.
5. Light the pilot burner. Refer to Frame 23.
6. Test for gas soundness around the pilot burner connection, using leak detection fluid.
7. Turn the gas service cock to OFF and return the burner and controls assembly to the normal working position.



25 GENERAL CHECKS

Make the following checks for correct operation:

1. Turn the boiler thermostat OFF and ON to check that the main burner is extinguished and relit in response.
 2. Check that the programmer, if fitted, and all other system controls function correctly.
- Operate each control separately and check that the main burner or circulating pump (as the case may be) responds.

3. Flame failure device

Check the operation of the flame failure device in the gas control valve as follows:

- a. Extinguish the pilot flame by closing the gas service cock and note the time taken for the flame failure device to shut down - identified by a click within the gas control valve. *This must not be longer than 60 seconds.*
- b. Open the gas service cock and relight the pilot.
- c. Turn the boiler thermostat ON. The burner should light.
- d. Turn the gas control knob to the OFF position - refer to Frame 23. The main burner and pilot flame should shut down immediately. **Note.** *A latch in the gas control valve provides a safety delay period of approximately 30 seconds before the pilot can be relit.*

4. Water circulation System

- a. With the system HOT, examine all water connections for soundness.

- b. With the system still hot, turn off the gas, water and electricity supplies to the boiler and drain down, in order to complete the flushing process.
 - c. Refill and vent the system, clear all air locks and again check for water soundness.
 - d. Balance the system.
5. Finally, set the controls to the user's requirements, refit the lower front panel and close the controls door.

Notes.

- a. *If an optional Programmer Kit is fitted refer to the separate Programmer Kit Installation Instructions and User's Instructions.*
- b. *The temperatures quoted below are approximate and vary between installations.*

Thermostat Knob Setting	Flow Temperature	
	°C	°F
2	60	140
3	66	150
4	71	160
5	77	170
6	82	180

26 HANDING OVER

After completing the installation and commissioning of the boiler system the installer should hand over to the householder by the following actions:

1. Hand the User's Instructions to the householder and explain his or her responsibilities under the Gas Safety (Installation and Use) Regulations 1994, amendments 1996 or rules in force.
2. Draw attention to the lighting instruction label affixed to the inside of the controls door.
3. Explain and demonstrate the lighting and shutting down procedures, including the function of the TTB draught thermostat.
4. The operation of the boiler and the use and adjustment of ALL system controls should be fully explained to the householder, to ensure the greatest possible fuel economy consistent with household requirements of both heating and hot water consumption.

Advise the User of the precautions necessary to prevent damage to the system and to the building, in the event of the system remaining inoperative during frosty conditions.
5. Explain the function and the use of the boiler thermostat and external controls.
6. Explain and demonstrate the function of time and temperature controls, radiator valves etc., for the economic use of the system.
7. If an optional Programmer Kit is fitted then draw attention to the Programmer Kit User's Instructions and hand them to the householder.
8. **After installation, commissioning and customer hand-over instructions please complete the *benchmark* appliance log book and leave this with the customer.**
9. Stress the importance of regular servicing by a CORGI registered installer and that a comprehensive service should be carried out AT LEAST ONCE A YEAR.
10. Draw attention to the Emergency Action Notice in the User's Instructions.

27 SCHEDULE

To ensure the continued safe and efficient operation of the appliance, it is recommended that it is checked at regular intervals and serviced as necessary. The frequency of servicing will depend upon the installation condition and usage but should be carried out at least annually .

It is the law that any service work must be carried out by a CORGI registered installer.

- a. Light the boiler and carry out a pre-service check, noting any operational faults.
- b. Clean the main burner(s) and lint gauze(s).
- c. **CF3/100P, CF 3/125P & CF 3/140P only.**
Clean the lower front panel lint gauze.
- d. Clean the heat exchanger.
- e. Clean the main injector(s).
- f. Check the condition of the thermocouple.

- g. Check that the flue is unobstructed and that the flue system, including the flue cleanout cover, is sealed correctly.
- h. If the appliance has been installed in a compartment, check that the ventilation areas are clear.

The servicing procedures are covered more fully in Frames 28-36 and **MUST BE CARRIED OUT IN SEQUENCE.**

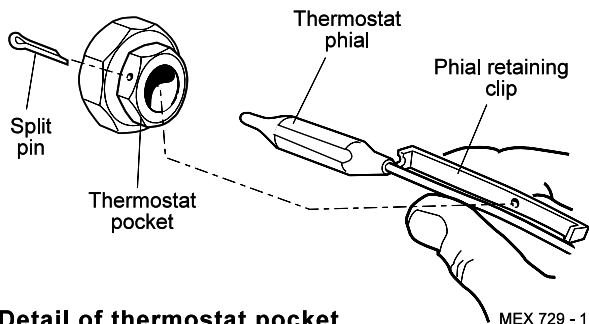
WARNING. Always turn OFF the gas supply at the gas service cock and switch OFF and DISCONNECT the electrical supply to the appliance **BEFORE SERVICING.**

IMPORTANT. After completing the servicing or exchange of components always test for gas soundness, carry out functional checks as appropriate and test for spillage (Frame 23).

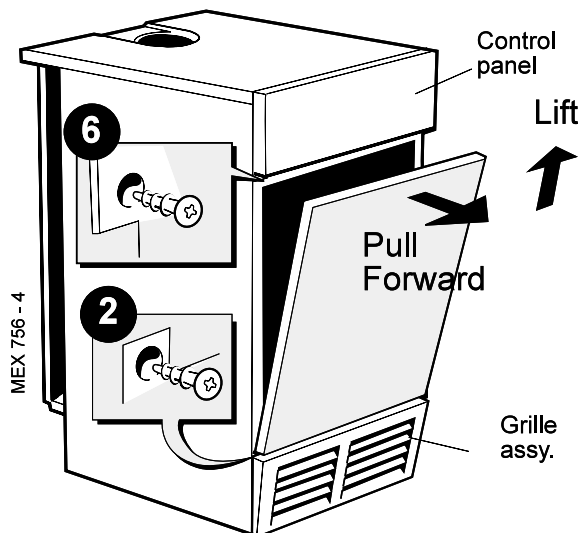
Note. It may be necessary to remove the boiler casing to carry out the spillage test. Refer to Frame 5.

28 BOILER CASING FRONT REMOVAL

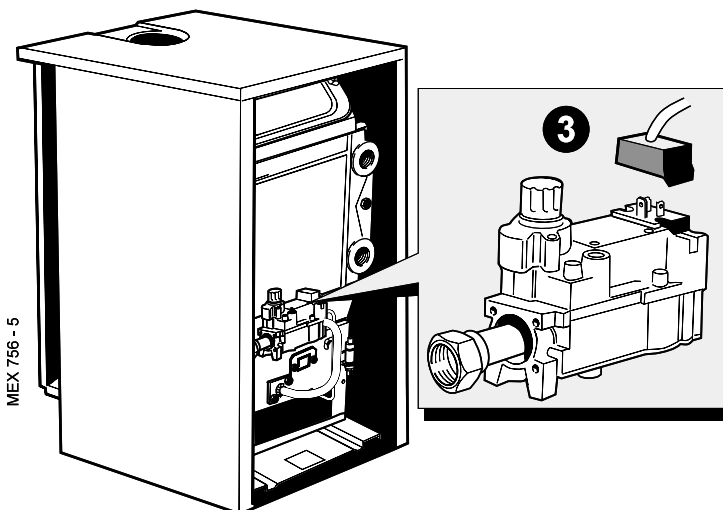
1. Lift off the door.
2. Remove the 2 screws and lift off the grille assembly.
3. Remove the gas valve electrical cover and disconnect the electrical leads.



Detail of thermostat pocket



4. Release the gas valve lead from the retaining clip.
5. Remove the thermostat phial from the pocket as shown.
6. Remove the 2 screws securing the control panel and pull down to release the tabs from under the top panel.
7. If the boiler is not fitted under a work top, access for flue cleaning will be improved by removing the top panel.

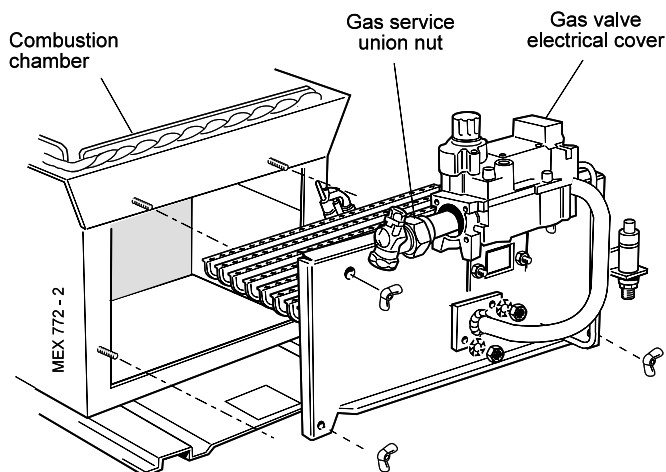
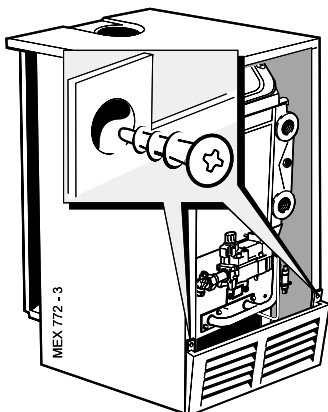


SERVICING

29 BURNER AND CONTROLS ASSEMBLY REMOVAL

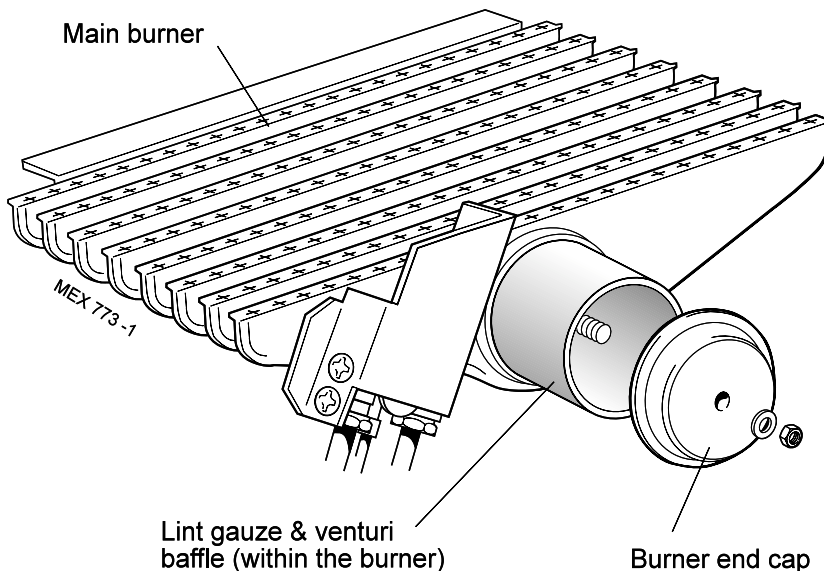
CF 3/60P shown

1. Lift off the lower front panel. Remove the grille assembly from the casing.
2. Undo the gas service cock union nut.
3. Remove the 4 wing nuts and withdraw the burner and controls assembly, complete, from the boiler.



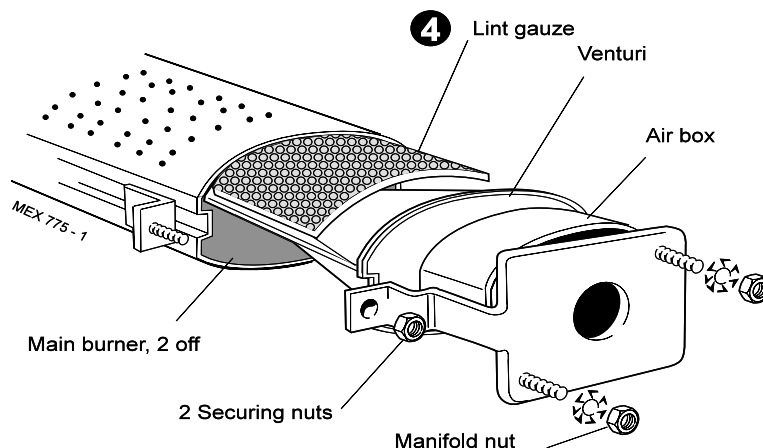
30 LINT GAUZE REMOVAL - CF 3/60P & 3/75P ONLY

1. Lift off front panel and remove the grille assembly -refer Frames 28 & 29. Undo the gas cock union. Undo the 4 wing nuts and remove the burner / controls from the boiler.
2. Remove the burner end cap.
3. Withdraw the venturi baffle and lint gauze.



31 LINT GAUZE REMOVAL - CF 3/100P, 3/125P & 3/140P ONLY

1. Lift off front panel and remove the grille assembly -refer Frames 28 & 29. Undo the gas cock union. Undo the 4 wing nuts and remove the burner / controls from the boiler. Remove the manifold nuts to remove both burners from the burner front plate / manifold assembly.
2. From each burner remove the 2 air box securing nuts and CAREFULLY remove the air box and venturi arrangement.
3. Withdraw both lint gauges.

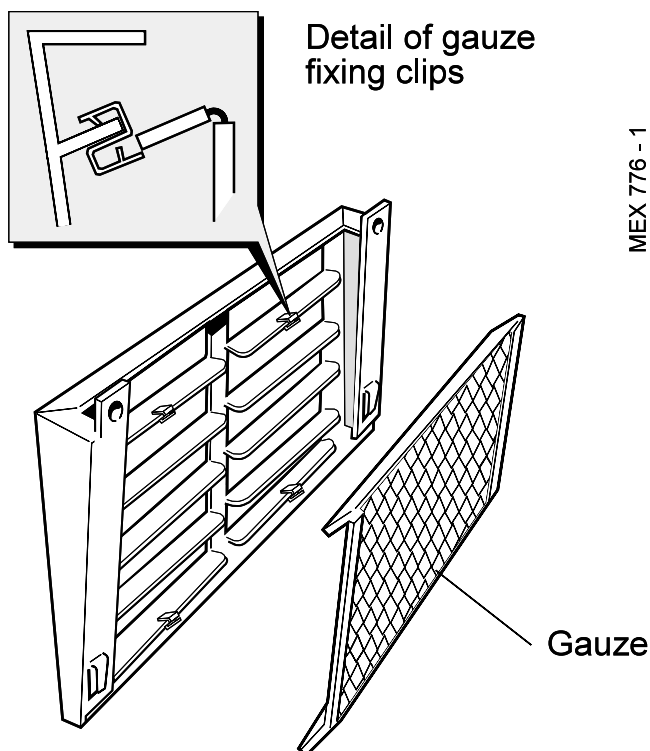


32 CLEANING THE BURNER ASSEMBLY

1. Clean the lint gauze(s) to remove any deposits of lint, fluff etc.
2. Brush off any deposits that may have fallen on to the burner head, ensuring that the flame ports are unobstructed, and remove any debris that may have collected.
Note. *Brushes with metallic bristles MUST NOT be used.*
3. Remove the main burner injector(s). Check, clean or replace, as required.
4. Refit the injector(s), using an approved jointing compound.
5. Inspect the pilot burner, thermocouple and ignition electrode - ensure that they are clear and in good condition. Check that:
 - a. The pilot burner is clean and unobstructed.
 - b. The ignition electrode is clean and undamaged.
 - c. The ignition lead is in good condition and securely connected.
 - d. The ignition gap is correct. Refer to Frames 46 & 47.
 - e. The thermocouple tip is not burned or cracked.
 - f. The position of the thermocouple relative to the pilot burner is correct. Refer to Frames 46 & 47.
 - g. The thermocouple terminal at the gas valve is clean.
6. Clean or renew components as necessary.

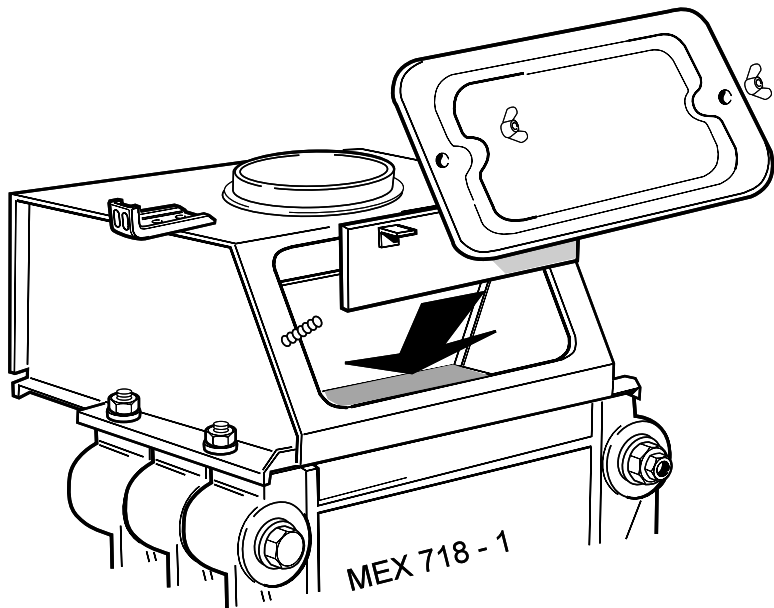
33 CLEANING THE LOWER FRONT PANEL LINT ARRESTING GAUZE - CF 3/100P, 3/125P & CF 3/140P ONLY

1. Unclip the gauze from the grille assembly and lift it clear of the bottom return edge.
2. Clean the gauze to remove any deposits of lint or fluff.
3. Refit the gauze by entering the bottom edge behind the grille return edge and engaging the top in the clips.



34 CLEANING THE FLUEWAYS

1. Remove the 2 wing nuts and lift off the cleanout cover.
2. **CF 3/75P, CF 3/100P & CF 3/140P only.**
Lift out the flue baffles.
3. Remove all loose deposits from the heat exchanger, especially from between the fins, using a suitable brush. Remove all debris from the combustion chamber base.
4. Check that the flue outlet duct is unobstructed.



35 RE-ASSEMBLY

Re-assemble the boiler in the following order :

- | | |
|--|--|
| <ol style="list-style-type: none"> 1. Refit the flue baffles into the boiler flueways, ensuring that they are correctly repositioned. Refer to Frame 6. 2. Refit the flue cleanout cover, renewing any damaged or deteriorating sealing gasket. 3. Refit the casing top panel. 4. Reconnect the electrical wiring and refit the controls panel, ensuring that the thermostat phial and phial | <p>retaining clip are correctly located in the thermostat pocket and secured by the split pin. Refer to Frame 28.</p> <ol style="list-style-type: none"> 5. Check the sightglass in the front plate. Clean or renew as necessary. 6. Renew any damaged or deteriorating front plate gasket. 7. Refit the burner and controls assembly. 8. Reconnect the gas service cock. 9. Refit the grille assembly. |
|--|--|

36 GAS PRESSURE ADJUSTMENT

1. Pilot Pressure

Pilot adjustment is factory set to maximum and no adjustment is possible.

2. Main Burner Pressure

After servicing, reference should be made to Table 1, page 3, which quotes details of the rated output with the related burner pressure and heat input.

3. Refit the lower front panel

NB. The burner pressure is not adjustable. If the burner pressure is incorrect check the supply pressure and all isolating valves, and contact your LPG service centre, if necessary.

SERVICING

REPLACEMENT OF PARTS

37 GENERAL

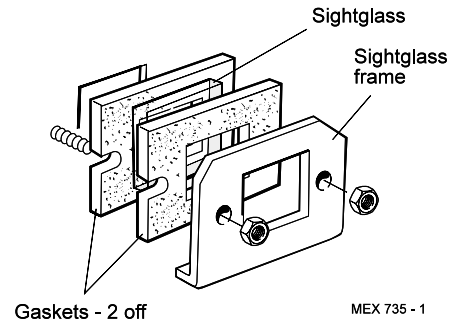
When replacing any component:

1. Isolate the electricity supply.
2. Turn off the gas supply at the boiler.
3. Lift off the lower front panel.

For replacement of pumps or programmer units refer to the separate Pump Kit or Programmer Kit instructions.

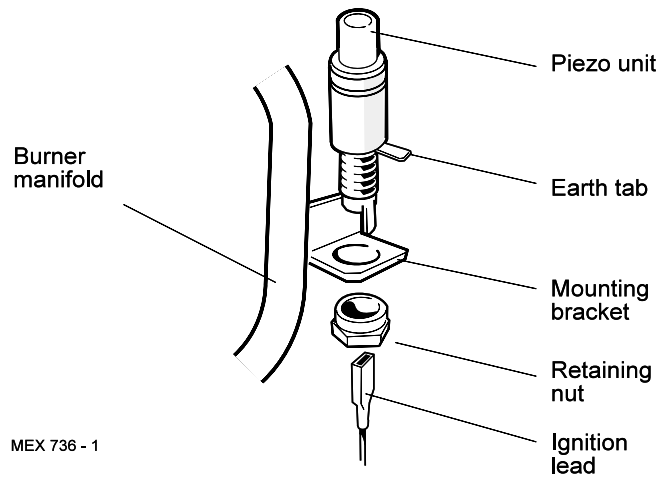
38 SIGHTGLASS REPLACEMENT

1. Unfasten the two M5 hexagon nuts and washers. Remove the assembly from the front plate.
2. Fit the new sightglass and re-assemble, as shown.
3. Retighten the two M5 hexagon nuts to ensure an airtight seal. *Do NOT overtighten.*



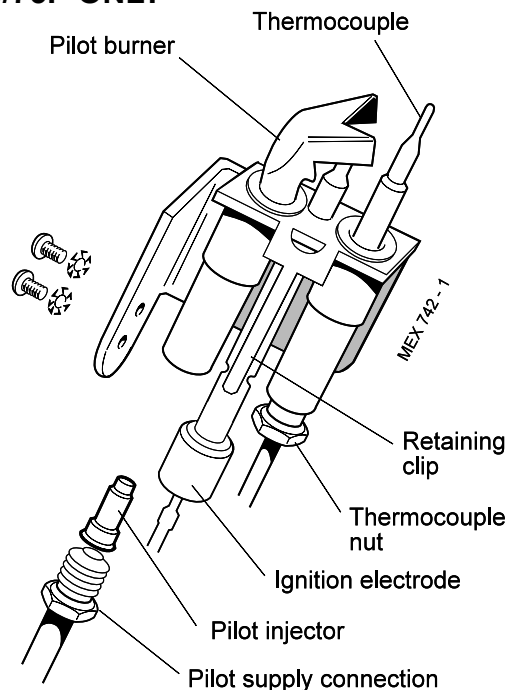
39 PIEZO UNIT REPLACEMENT

1. Disconnect the ignition lead from the piezo unit body.
2. Remove the retaining nut and withdraw the unit, as shown.
3. Fit the new unit and reassemble in reverse order.



40 PILOT BURNER REPLACEMENT - CF 3/60P & CF 3/75P ONLY

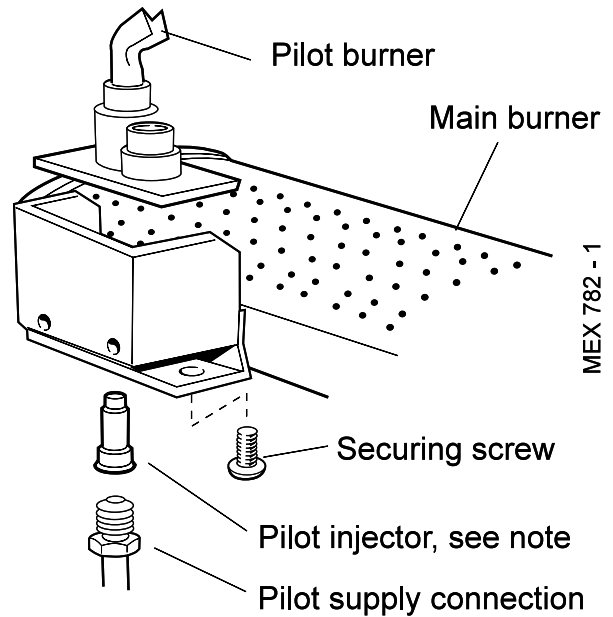
1. Lift off front panel and remove the grille assembly -refer Frames 28 & 29. Undo the gas cock union. Undo the 4 wing nuts and remove the burner / controls from the boiler.
2. Remove the ignition electrode . Refer to Frames 46 and 47.
3. Unscrew the thermocouple nut and pull the thermocouple clear.
4. Undo the pilot supply pipe connection and ease clear of the pilot burner. **DO NOT LOSE** the pilot injector, which is a push-fit in the pilot burner housing.
5. Remove the 2 securing screws and washers, and withdraw the pilot burner.
6. Fit the new pilot burner and re-assemble in reverse order, ensuring that:
 - a. The injector is in position when refitting the pilot supply.
 - b. A gas-tight joint is made.
 - c. The spark gap is correct. Refer to Frames 46 & 47.



SERVICING

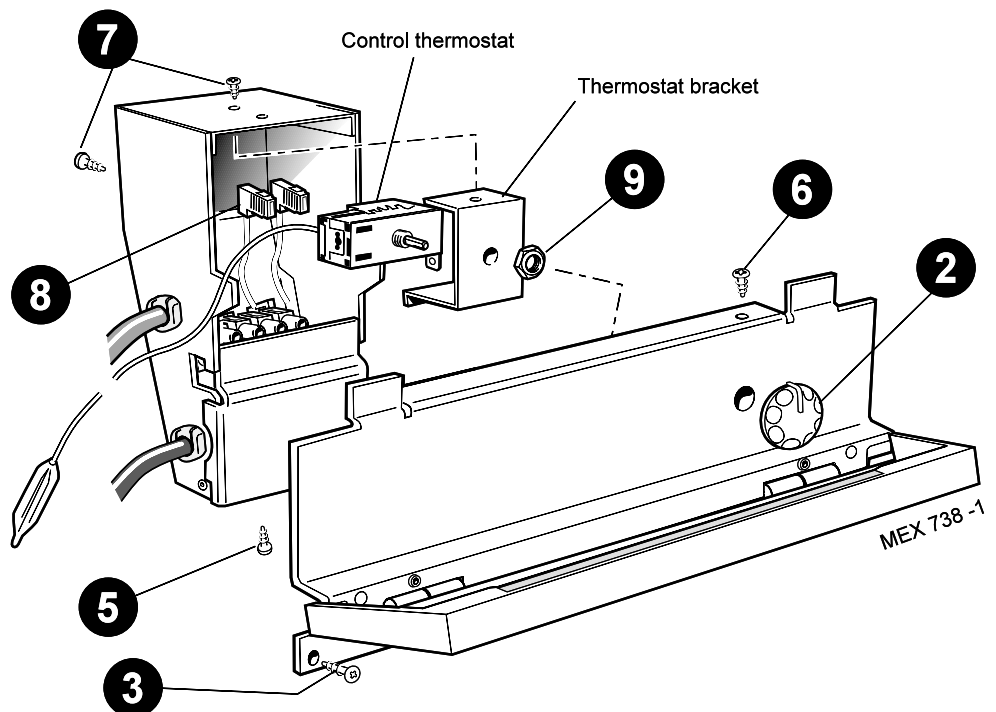
41 PILOT BURNER REPLACEMENT - CF 3/100P, CF 3/125P & CF 3/140P ONLY

1. Lift off front panel and remove the grille assembly -refer Frames 28 & 29. Undo the gas cock union. Undo the 4 wing nuts and remove the burner / controls from the boiler.
2. Remove the ignition electrode . Refer to Frames 46 & 47.
3. Unscrew the thermocouple nut and pull the thermocouple clear.
4. Undo the pilot supply pipe connection and ease clear of the pilot burner. DO NOT LOSE the pilot injector, which is a push-fit in the pilot burner housing.
5. Remove the 2 securing screws and washers, and withdraw the pilot burner.
6. Fit the new pilot burner and re-assemble in reverse order, ensuring that:
 - a. The injector is in position when refitting the pilot supply.
 - b. A gas-tight joint is made.
 - c. The spark gap is correct. Refer to Frame 46 & 47.



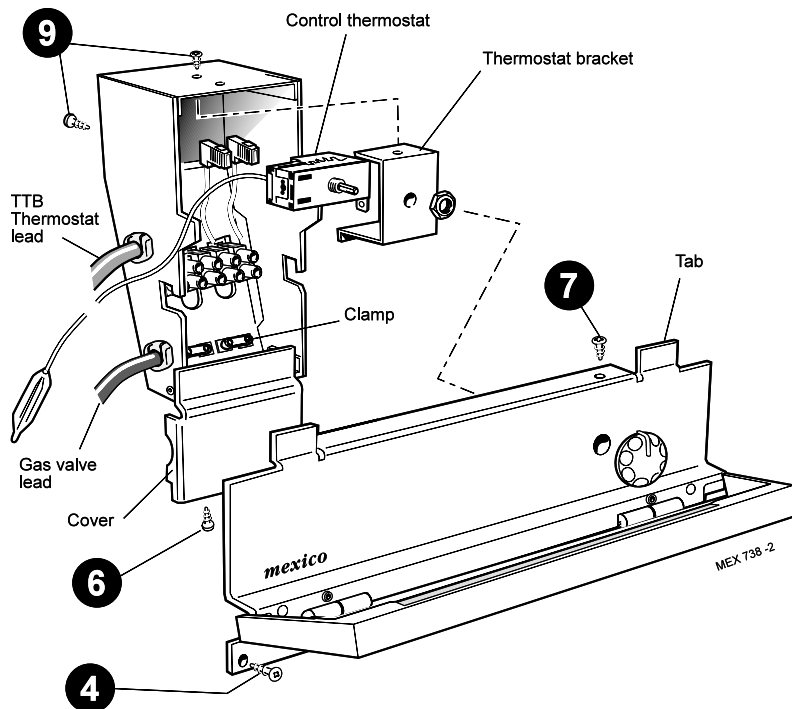
42 CONTROL THERMOSTAT REPLACEMENT

1. Lift off the front door. Refer to Frame 28.
2. Pull off the thermostat knob.
3. Remove the 2 screws and pull down the control panel tabs clear of the top panel.
4. Remove the thermostat phial from the pocket - refer to Frame 28.
5. Remove the bottom self taper and remove the cover.
6. Remove the top self taper and ease the control box off the control panel.
7. Remove the 2 self tappers to release the thermostat bracket.
8. Disconnect the electrical leads.
9. Unscrew the thermostat nut to withdraw the thermostat.
10. Fit the new thermostat and re-assemble in reverse order.



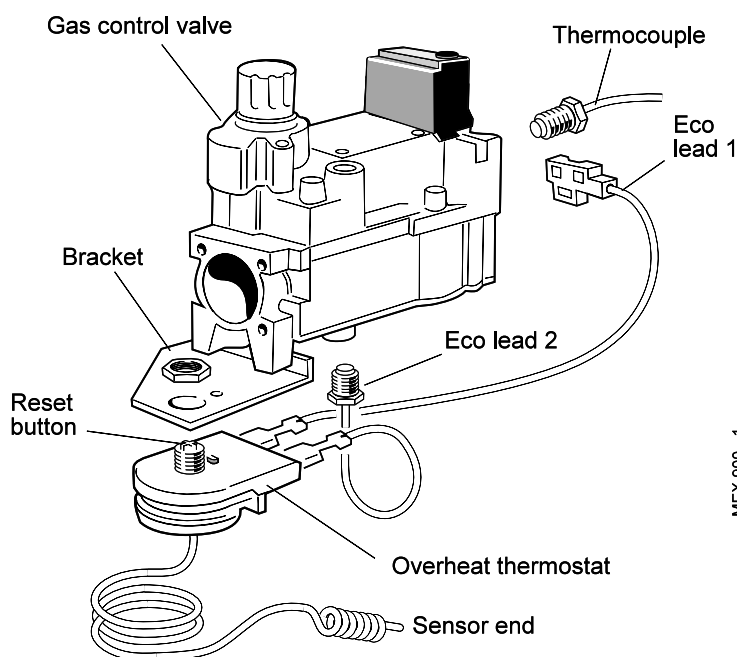
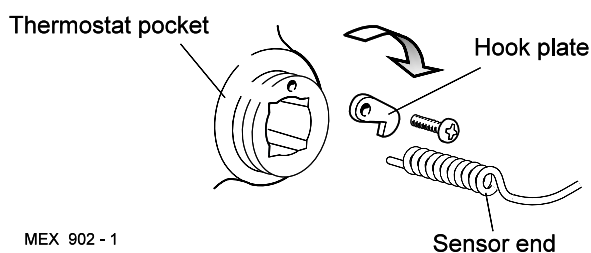
43 CONTROLS PANEL REPLACEMENT

1. Lift off the lower front panel. Refer to Frame 28
2. Pull off the thermostat knob.
3. Disconnect the electrical connections from the gas valve.
4. Unscrew the 2 screws and pull down the control panel so that the 2 tabs clear the top panel.
5. Remove the thermostat phial from the pocket. Refer to Frame 28.
6. Remove the bottom screw and remove the cover from the control box.
7. Remove the top screw and ease the control box off the control panel.
8. Disconnect the mains electrical supply from the terminal strip and release from its clamp.
9. Remove the 2 screws to release the thermostat bracket.
10. Disconnect the TTB thermostat leads from the terminal strip and control thermostat, then release from its bush.
11. On the new control box gain access to the control thermostat as described above.
12. Discard the control thermostat lead that connects to terminal strip marked 'L_G'.
13. Reconnect the TTB thermostat lead to the control thermostat and terminal strip marked 'L_G'.
14. Assemble new control box and panel and fit to the casing, in reverse order.



44 OVERHEAT THERMOSTAT REPLACEMENT (if fitted)

1. Lift off front lower panel. Refer to Frame 28.
2. Slacken the screw at the thermostat pocket and withdraw the phial from the pocket.
3. Remove the thermostat backnut.
4. Remove the 2 Eco leads.
5. Fit the new thermostat (lead polarity immaterial), ensuring that the alignment peg on the thermostat sits in the small hole adjacent to the main fixing hole, and reassemble in reverse order.
6. Replace the lower front panel.
7. Check the operation of the boiler.

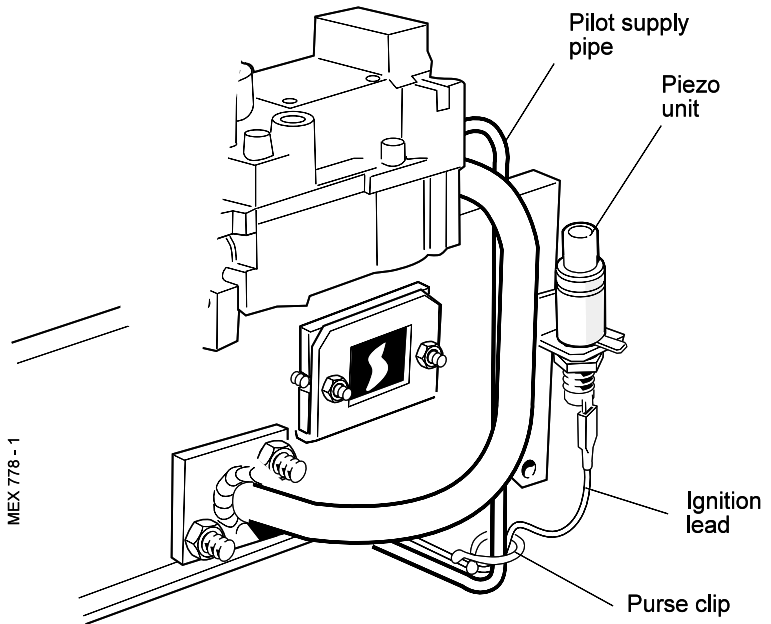


MEX 902 - 1

MEX 900 - 1

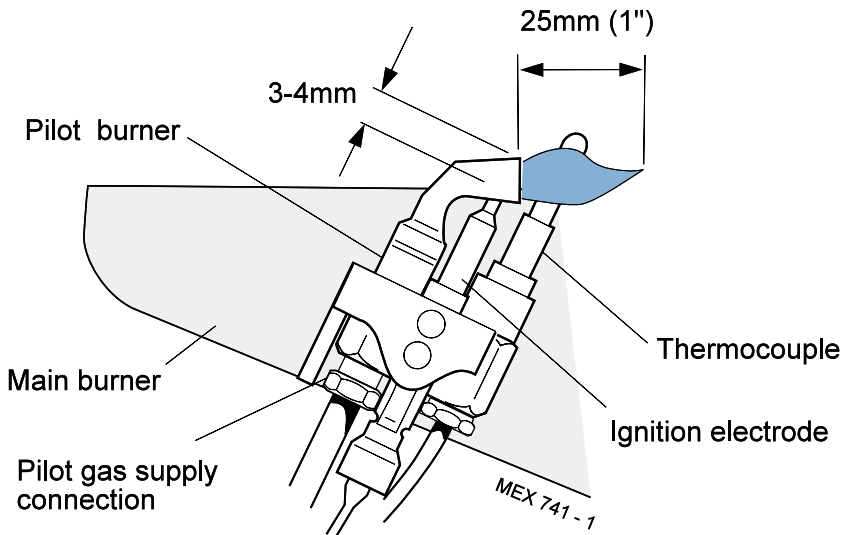
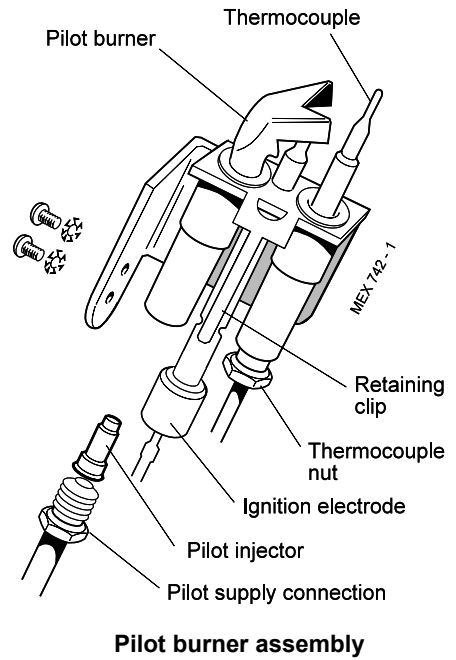
45 IGNITION LEAD REPLACEMENT

1. Lift off front panel and remove the grille assembly - refer to Frames 28 & 29.
Undo the gas cock union.
Undo the 4 wing nuts and remove the burner / controls from the boiler.
2. Remove the purse clip.
3. Disconnect the ignition lead from the base of the electrode and the piezo unit, and withdraw the lead.
4. Fit the new lead and re-assemble in reverse order.



46 IGNITION ELECTRODE REPLACEMENT - CF 3/60P & CF 3/75P ONLY

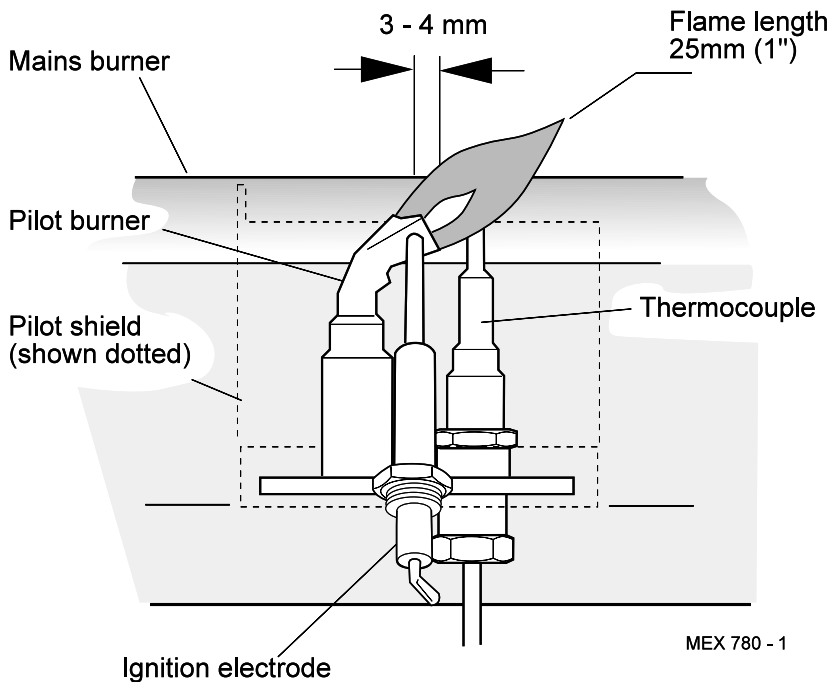
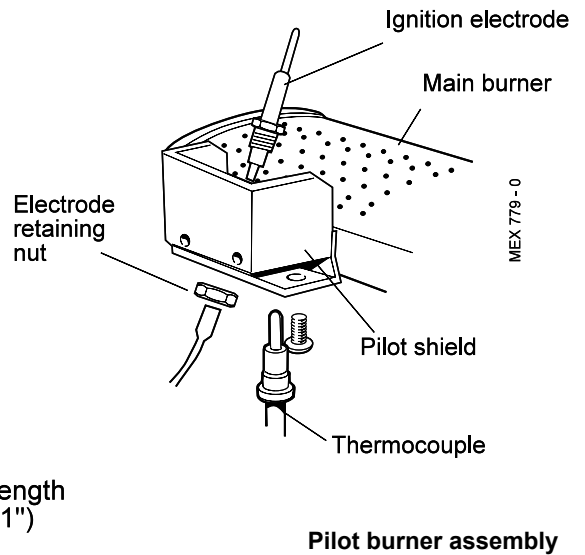
1. Lift off front panel and remove the grille assembly -refer Frames 28 & 29. Undo the gas cock union.
Undo the 4 wing nuts and remove the burner / controls from the boiler.
2. Disconnect the ignition lead.
3. Remove the electrode retaining nut and withdraw the electrode.
4. Fit the new electrode and re-assemble in reverse order.



Detail of pilot flame length and spark gap

47 IGNITION ELECTRODE REPLACEMENT - CF 3/100P, 3/125P & CF 3/140P ONLY

1. Lift off front panel and remove the grille assembly - refer Frames 28 & 29. Undo the gas cock union. Undo the 4 wing nuts and remove the burner / controls from the boiler.
2. Disconnect the spark lead.
3. Remove the electrode retaining nut and withdraw the electrode.
4. Fit the new electrode and re-assemble in reverse order.

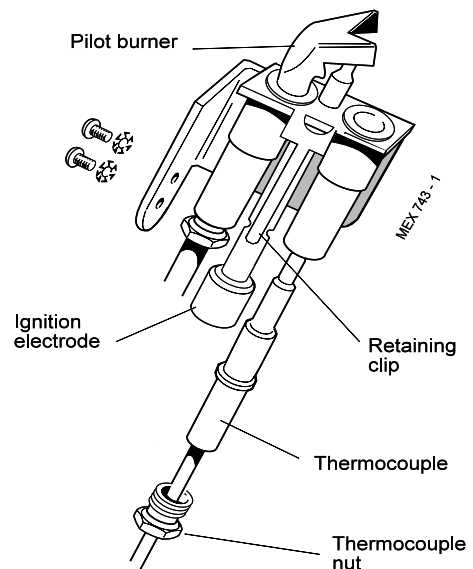


Detail of pilot flame length and spark gap

48 THERMOCOUPLE REPLACEMENT - CF 3/60P & CF 3/75P ONLY

1. Lift off front panel and remove the grille assembly - refer Frames 28 & 29. Undo the gas cock union. Undo the 4 wing nuts and remove the burner / controls from the boiler.
2. Remove the purse clip.
3. Undo the thermocouple connection at the pilot burner and pull the thermocouple clear.
4. Undo the thermocouple connection at the gas valve and withdraw the thermocouple.
5. Fit the new thermocouple and re-assemble in reverse order

Note. Avoid sharp bends in the thermocouple lead and ensure that it follows the same route as previously.



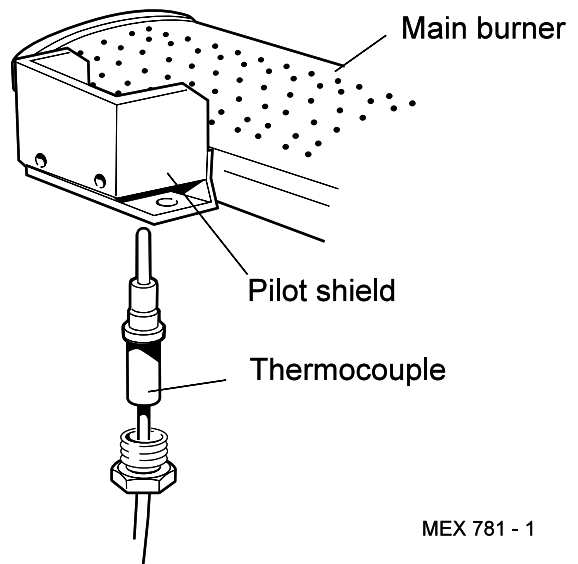
SERVICING

49 THERMOCOUPLE REPLACEMENT - CF 3/100P, CF 3/125P & CF 3/140P ONLY

1. Lift off front panel and remove the grille assembly -refer Frames 28 & 29. Undo the gas cock union. Undo the 4 wing nuts and remove the burner / controls from the boiler.
2. Remove the purse clip.
3. Undo the thermocouple nut at the pilot burner and pull the thermocouple clear.
4. Undo the thermocouple connection at the gas valve and withdraw the thermocouple.
5. Fit the new thermocouple and re-assemble in reverse order

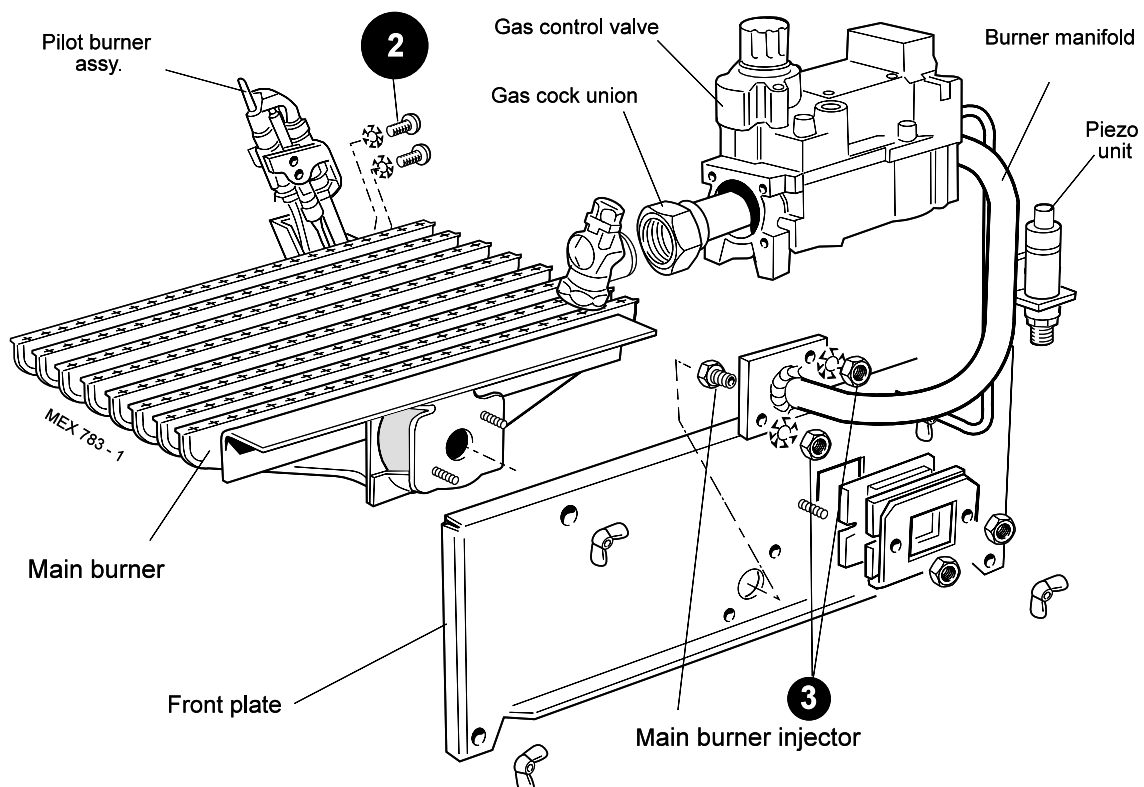
Note.

Avoid sharp bends in the thermocouple lead and ensure that it follows the same route as previously.



50 MAIN BURNER REPLACEMENT - CF 3/60P & CF 3/75P ONLY

1. Lift off front panel and remove the grille assembly -refer Frames 28 & 29. Undo the gas cock union. Undo the 4 wing nuts and remove the burner / controls from the boiler.
2. Remove the 2 screws securing the pilot burner and pull the assembly clear of the main burner.
3. Remove the 2 nuts and washers securing the burner to the front plate and manifold. Withdraw the burner.
4. Fit the new burner and re-assemble in reverse order, taking care not to damage the main burner injector which is screwed into the burner manifold.

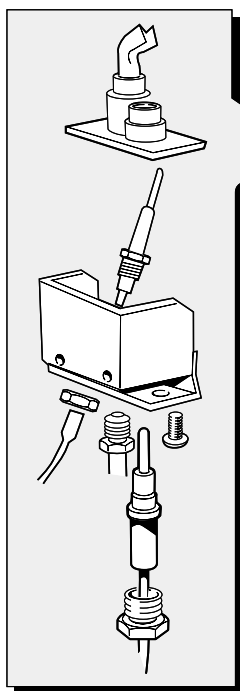


SERVICING

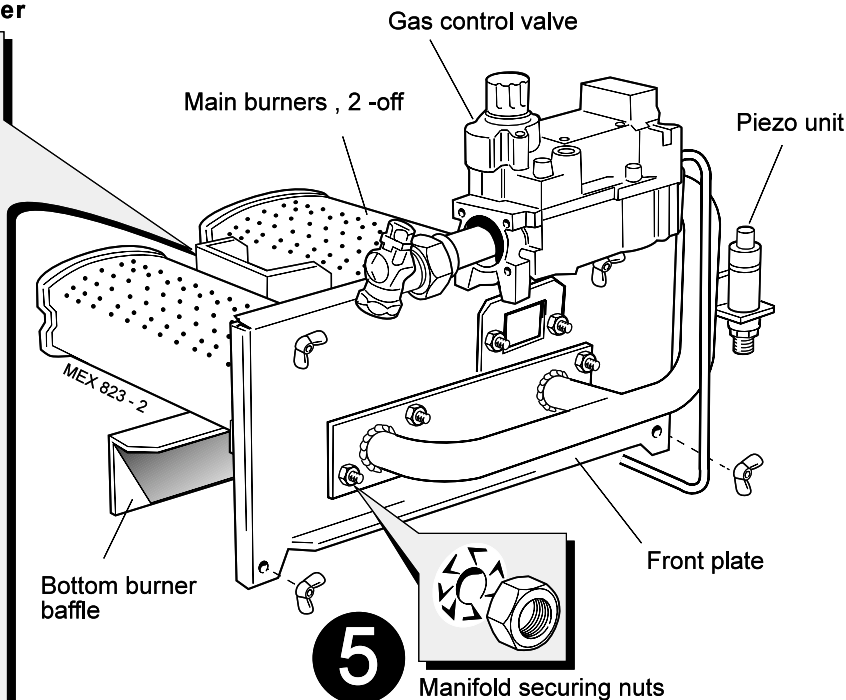
51 MAIN BURNER REPLACEMENT - CF 3/100P, CF 3/125P & CF 3/140P ONLY

1. Lift off front panel and remove the grille assembly -refer to Frames 28 & 29.
2. Undo the gas cock union.
Undo the 4 wing nuts and remove the burner / controls from the boiler.
3. Remove the 2 nuts and washers securing the bottom burner baffle and remove the baffle.
4. Remove the 2 screws securing the pilot burner and pull the assembly clear of the main burner.
5. Remove the 2 nuts and washers securing the burner(s) to the front plate and manifold. Withdraw the burner.
6. Fit the new burner(s) and re-assemble in reverse order, taking care not to damage the main burner injector which is screwed into the burner manifold.

Detail of pilot burner assy
CF 3/100 & CF 3/140 RH burner
CF 3/125 LH burner

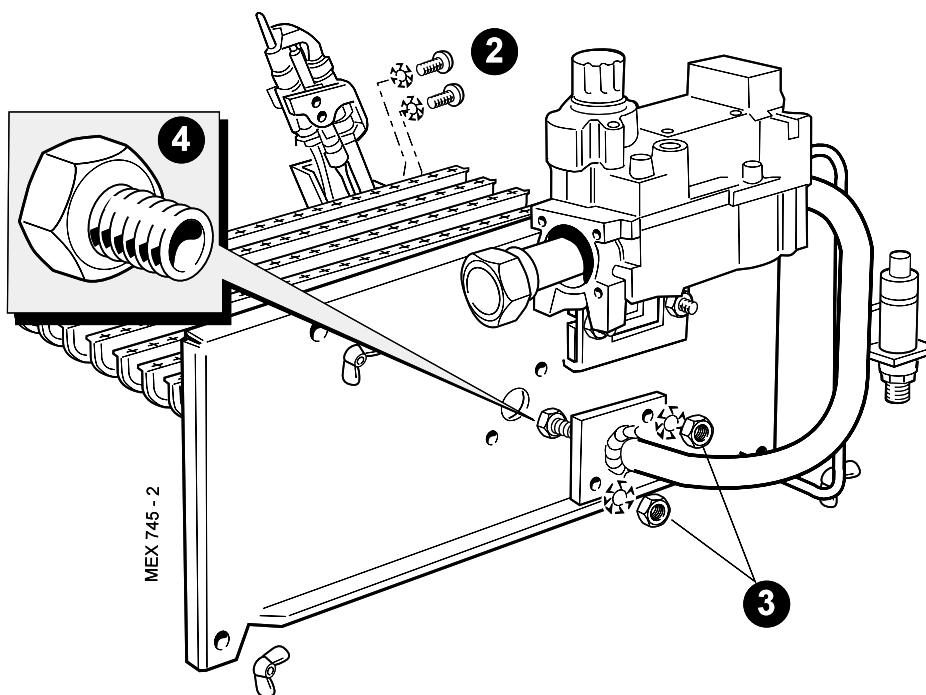


CF 3/100 Boiler shown



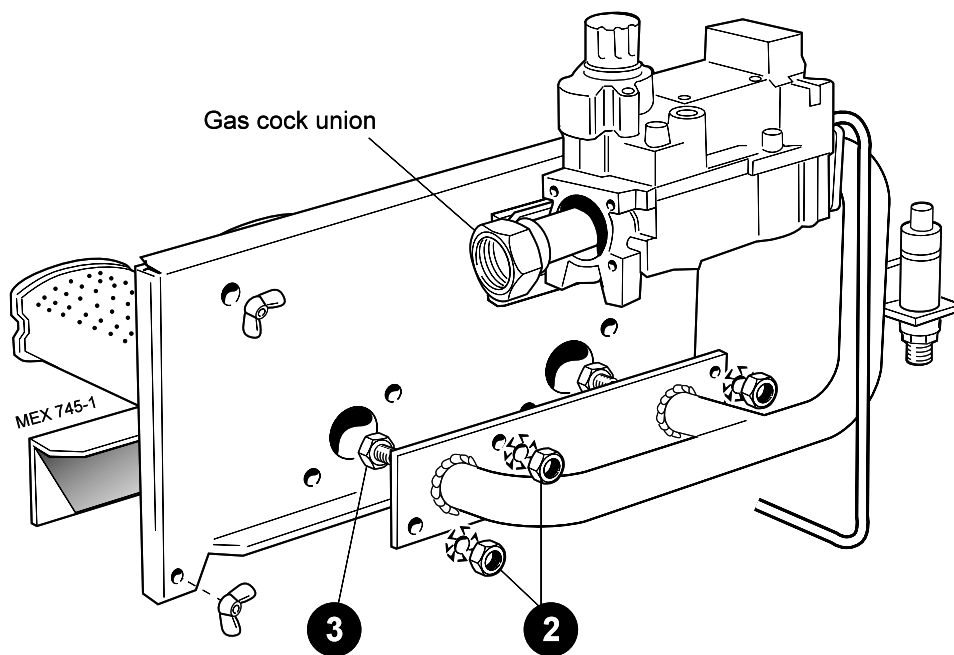
52 MAIN BURNER INJECTOR REPLACEMENT - CF 3/60P & CF 3/75P ONLY

1. Lift off front panel and remove the grille assembly -refer Frames 28 & 29. Undo the gas cock union.
Undo the 4 wing nuts and remove the burner / controls from the boiler.
2. Remove the 2 screws securing the pilot burner and pull the assembly clear of the main burner.
3. Undo the 2 nuts and remove the manifold/controls from the front plate.
4. Unscrew the burner injector from the manifold.
5. Fit the new injector, using an approved jointing compound, and re-assemble in reverse order.



SERVICING

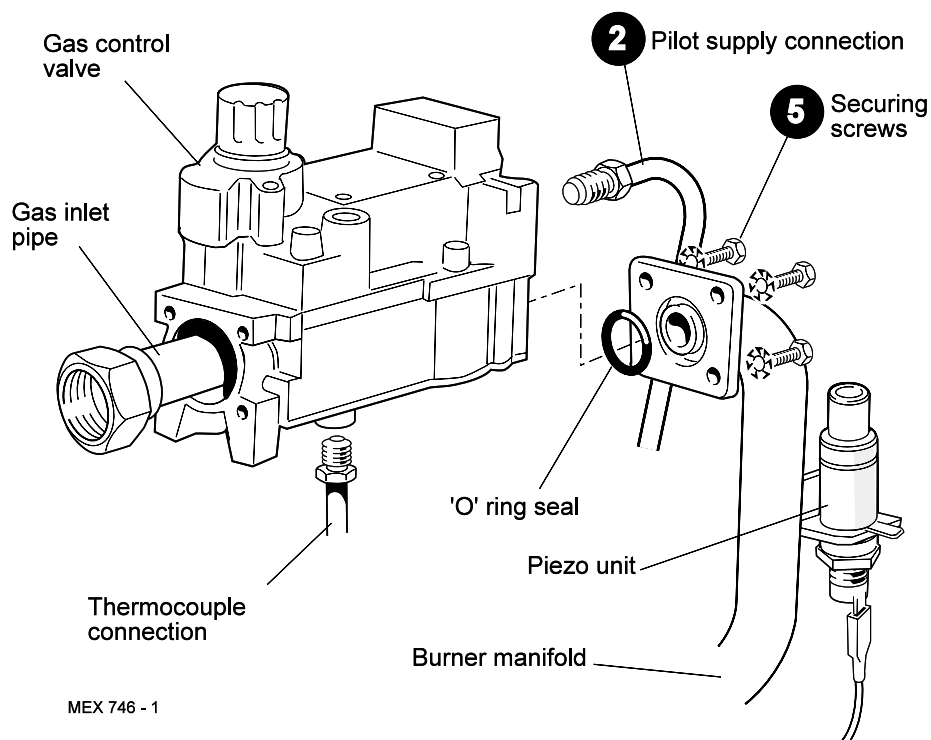
53 MAIN BURNER INJECTOR REPLACEMENT - CF 3/100P, CF 3/125P & CF 3/140P ONLY



1. Lift off front panel and remove the grille assembly - refer to Frames 28 & 29. Undo the gas cock union. Undo the 4 wing nuts and remove the burner / controls from the boiler.
2. Remove the manifold from the front plate.
3. Unscrew the burner injector(s) from the manifold.
4. Fit the new injector(s), using an approved jointing compound, and re-assemble in reverse order.

54 GAS VALVE REPLACEMENT

1. Lift off front panel and remove the grille assembly - refer Frames 28 & 29. Undo the gas cock union. Undo the 4 wing nuts and remove the burner / controls from the boiler.
2. Undo the pilot supply connection.
3. Undo the thermocouple connection.
4. Unscrew the gas inlet pipe from the valve.
5. Remove the 4 securing screws and withdraw the valve from the burner manifold.



6. Fit the new gas valve, ensuring that:
 - a. The valve is fitted the correct way round - an arrow engraved on the valve indicates the direction of flow.
 - b. The sealing 'O' ring supplied with the valve is correctly fitted at the outlet flange.
 - c. An approved jointing compound is used when reconnecting the gas inlet pipe.

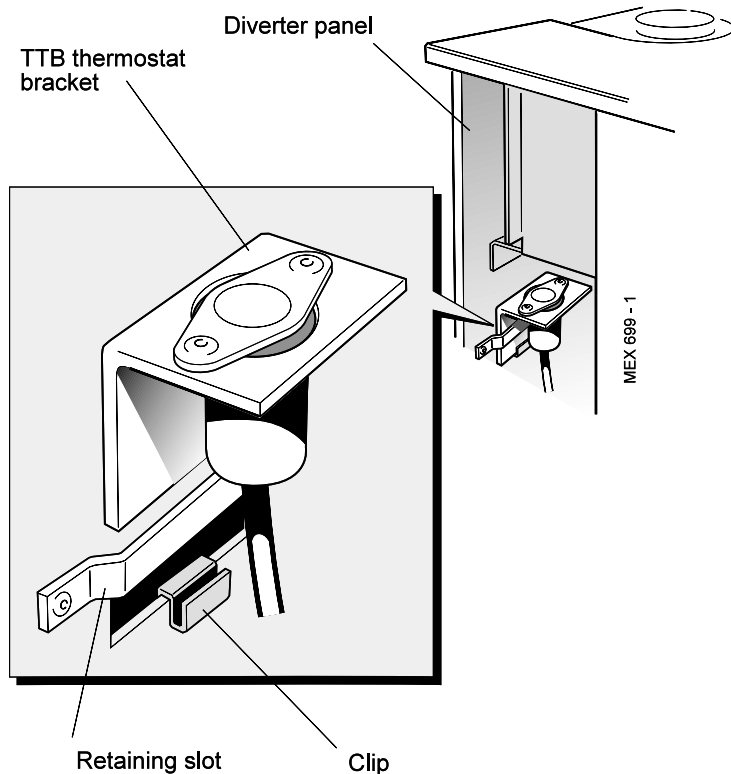
55 TTB DOWNDRAUGHT THERMOSTAT REPLACEMENT

1. Remove the control panel. Refer to Frame 28.
2. Remove the securing screws and lift off the control box cover.
3. Disconnect the TTB thermostat and remove from the cable clamp and control box. Refer to Frame 43.

Note.

The TTB thermostat is located at the LH or RH side of the diverter panel.

4. Reach down the side of the boiler and carefully lift the TTB bracket from its retaining slot and clip.
5. Withdraw the thermostat, bracket and lead down the side of the boiler.
6. Locate and fit the new TTB downdraught thermostat, bracket and lead and re-assemble in reverse order, ensuring that all electrical connections are correctly remade and cables secured.

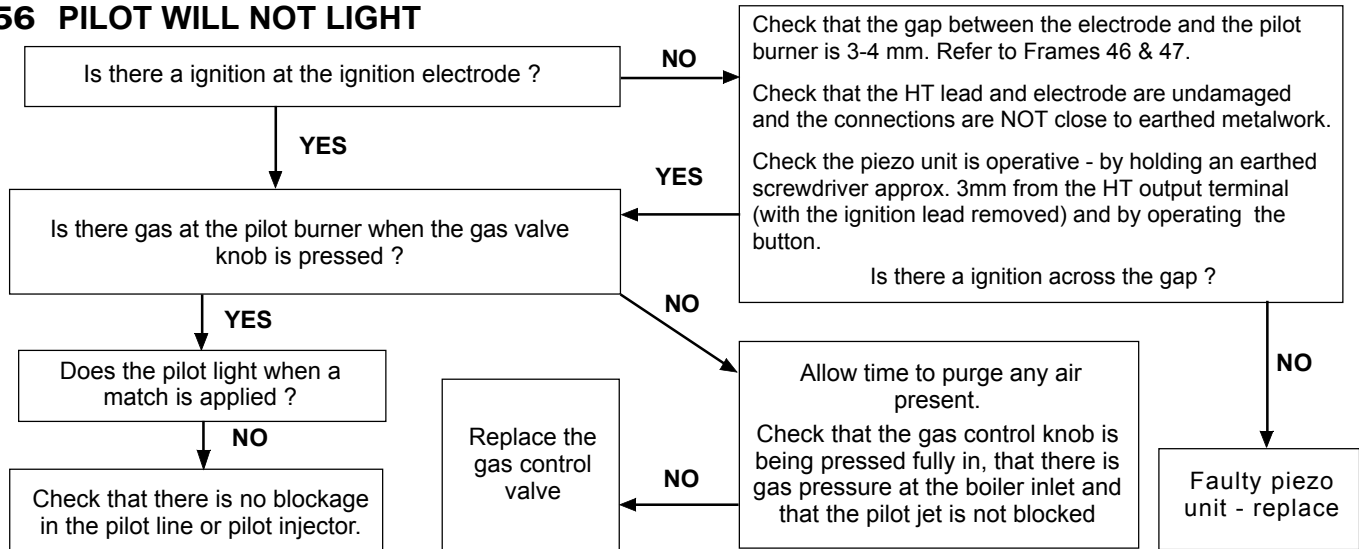


FAULT FINDING

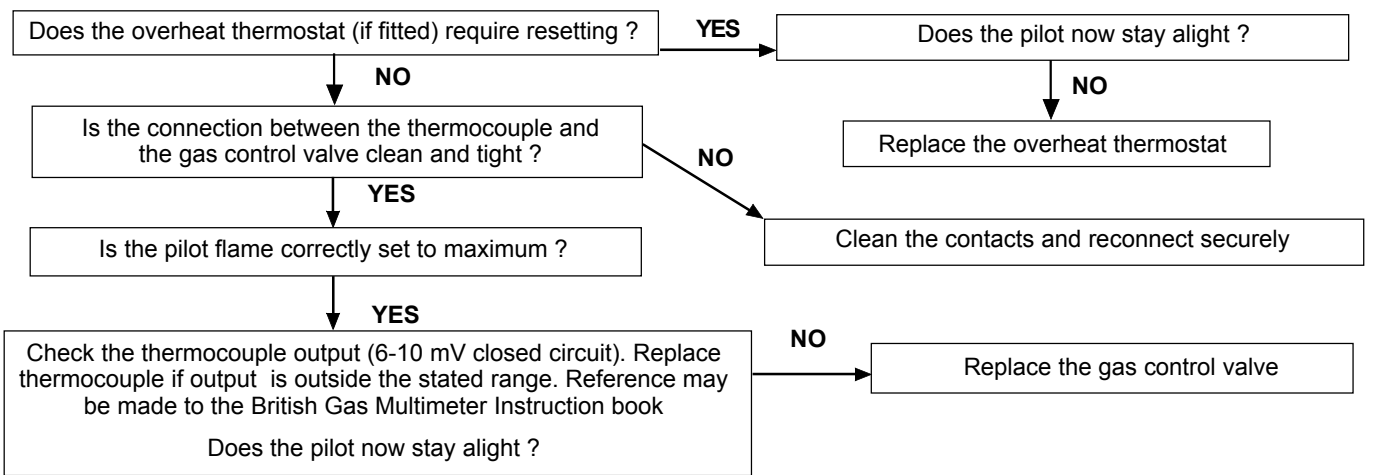
Before attempting any electrical fault finding ALWAYS carry out preliminary electrical system checks, i.e. earth continuity, polarity and resistance to earth using a suitable meter.

Detailed instructions on the cleaning and adjustment or replacement of faulty components are contained in the 'Servicing' section of this publication.

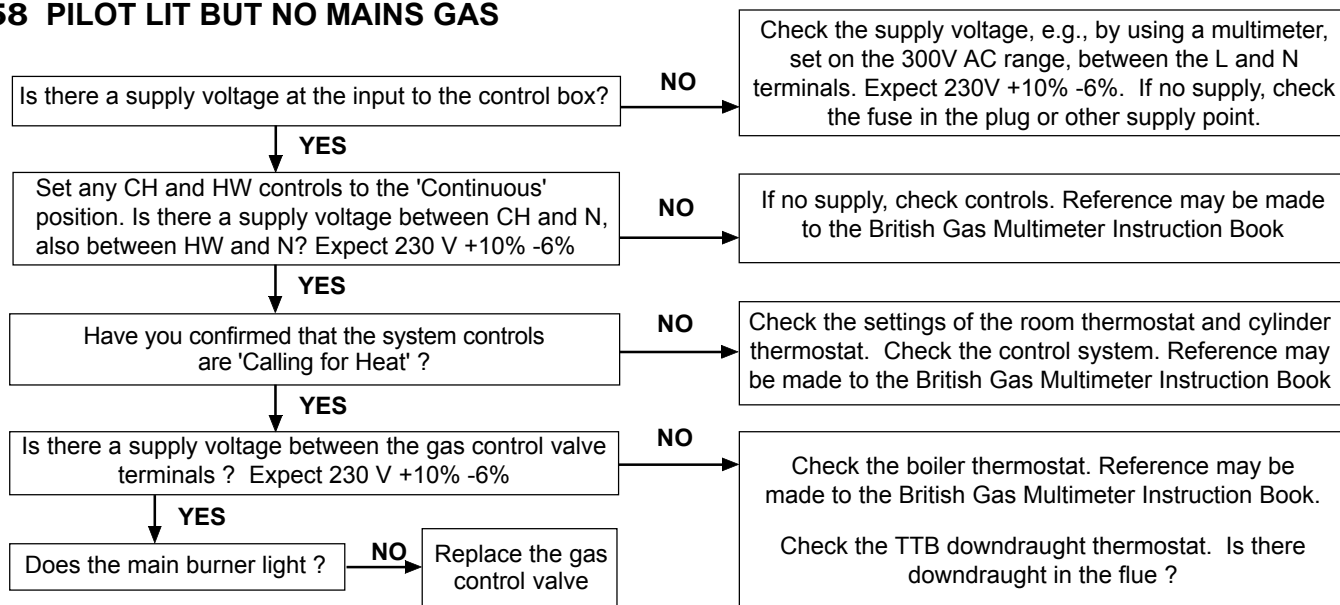
56 PILOT WILL NOT LIGHT



57 PILOT WILL NOT STAY LIT WHEN THE GAS CONTROL VALVE KNOB IS RELEASED



58 PILOT LIT BUT NO MAINS GAS



Note. After any faults have been corrected, return all thermostatic and other controls to the previously noted settings

SHORT LIST OF PARTS

The following are parts commonly required as replacement components, due to damage or expendability. Their failure or absence is likely to affect safety or performance of this appliance.

When ordering spares please quote:

1. Boiler model
2. Appliance G.C. number
3. Description
4. Quantity
5. Product no.

The list is extracted from the British Gas List of Parts, which contains all available spare parts.

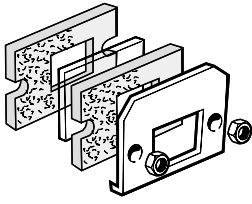
The full list is held by British Gas, **Caradon Plumbing Ltd** distributors and merchants.

Key No.	G.C. Part No.	Description	Qty.	Product No.
14	319 494	Sightglass assembly, comprising: sightglass, frame, 2 sightglass gaskets, 2 M5 wing nuts	1	079 334
17	386 134	Main burner - with pilot burner bracket, AEROMATIC AC 19 / 123 271; CF 3/60P	1	113 192
	E01-552	Main burner, AEROMATIC AC 19 / 123 252 CF 3/75P	1	013 975
	378 372	RH burner AC 19 / 123 284 CF 3/100P	1	100 159
	378 373	LH burner AC 19 / 123 285 CF 3/100P	1	100 160
	378 375	RH burner AC 19 / 123 287 CF 3/125P	1	100 162
	378 374	LH burner AC 19 / 123 286 CF 3/125P	1	100 161
	378 376	RH burner AC 19 / 123 288 CF 3/140P	1	100 163
	378 377	LH burner AC 19 / 123 289 CF 3/140P	1	100 164
18		Main burner injector, BRAY		
	E01-493	Cat. 10 - size 650 CF 3/60P	1	003 862
	398 043	Cat. 10 - size 800 CF 3/75P	1	004 858
	389 612	Cat. 10 - size 520 CF 3/100P	2	003 861
	E01-493	Cat. 10 - size 650 CF 3/125P	2	003 862
	398 043	Cat. 10 - size 800 CF 3/140P	2	004 858
19		Pilot burner with injector, HONEYWELL		
	E01-548	Q 385 A 1020: CF 3/60P & 3/75P	1	079 390
	E01-549	Q 349 A 1067: CF 3/100P, 3/125P & 3/140P	1	079 391
20		Pilot injector, HONEYWELL		
	E00 333	45 004 114 005 CF 3/60P & 3/75P	1	004 816
	E01-506	45 004 114 004B CF 3/100P, 3/125P & 3/140P	1	004 590
21	E01-507	Gas control valve - HONEYWELL V 4600 E 1016, 230 V	1	100 603
23	395 705	Piezo unit - MORGAN/MATROC 60080-002	1	003 939
24		Ignition electrode		
	397 945	BUCCLEUCH, BE/3231/SI CF 3/60P & 3/75P	1	004 713
	382 519	MORGAN/MATROC 60877 CF 3/100P, 3/125P & 3/140P	1	003 777
25		Ignition (HT) lead		
	E01 412	460 mm long CF 3/60P & 3/75P	1	052 888
		750 mm long CF 3/100P, 3/125P & 3/140P	1	057 599
26		Thermocouple, HONEYWELL		
	390 210	Q 309 A 2747, 750mm lg. CF 3/60P, 3/75P & 3/100P	1	003 876
	390 038	Q 309 A 2754, 900mm lg. CF 3/125P & 3/140P	1	030 032
31		Thermostat, RANCO K36 - P1354	1	151 903
32	308 557	Thermostat knob	1	111 904
45	E01 530	Flue baffle CF 3/75P	2	135 770
	E01 540	Flue baffle CF 3/100P	2	134 737
	E01 530	Flue baffle CF 3/140P	5	135 770
49		TTB draught thermostat with bracket	1	075 372

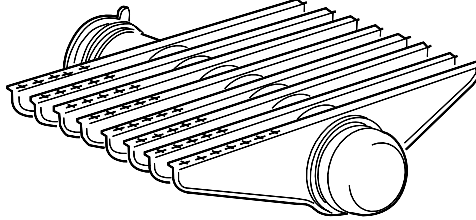
LIST OF PARTS

59 SHORT PARTS - CF 3/60P & CF 3/75P ONLY

14



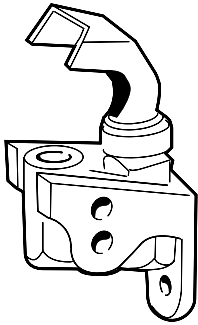
17



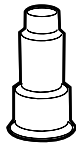
18



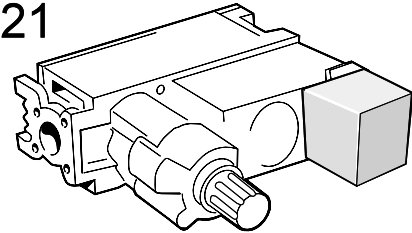
19



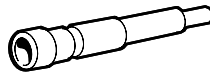
20



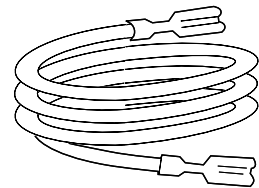
21



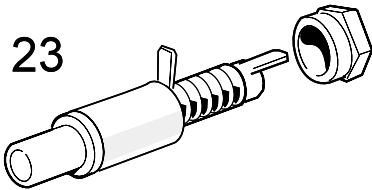
24



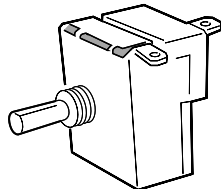
25



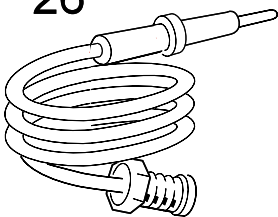
23



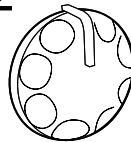
31



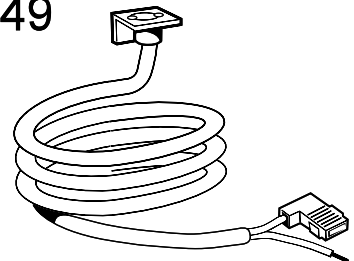
26



32



49

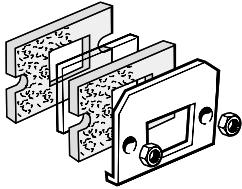


MEX 749 - 4

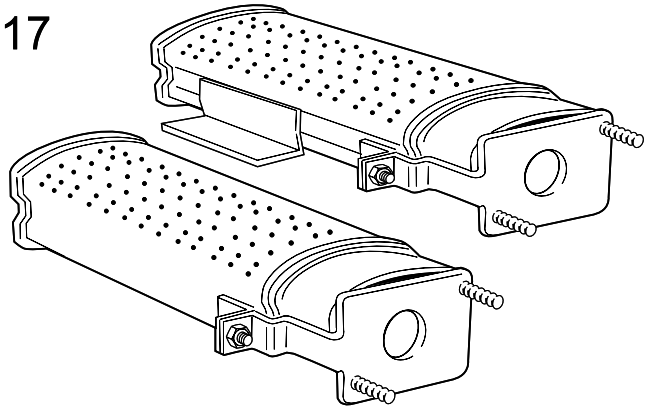
LIST OF PARTS

60 SHORT PARTS - CF 3/100P, CF 3/125P & CF 3/140P ONLY

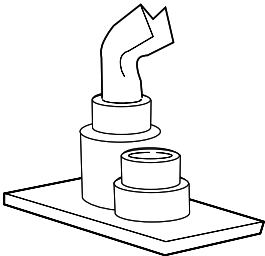
14



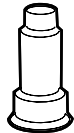
17



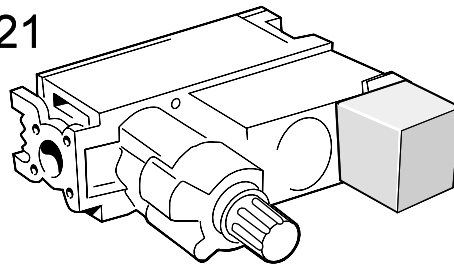
19



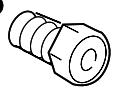
20



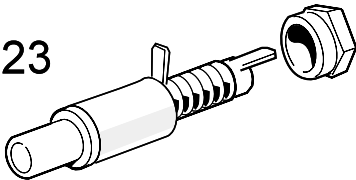
21



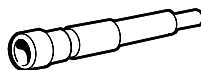
18



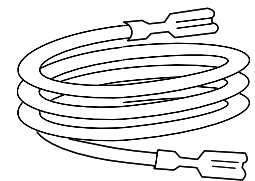
23



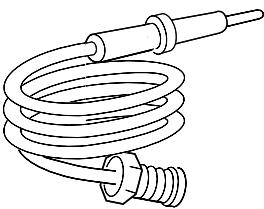
24



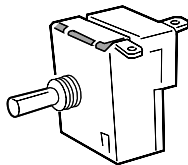
25



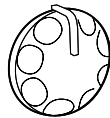
26



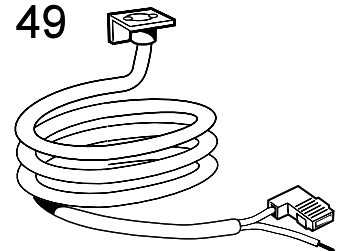
31



32



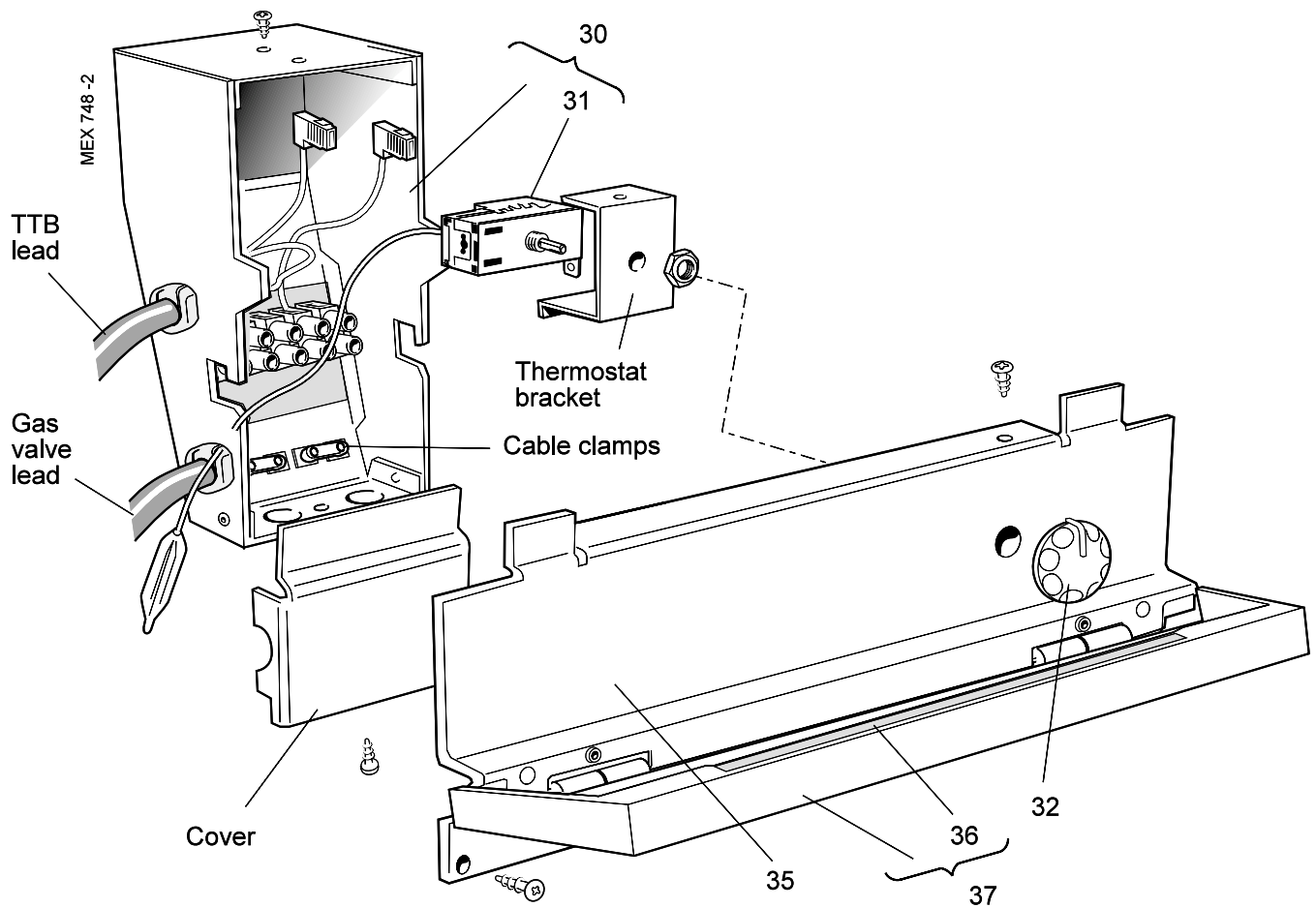
49



MEX 749 - 1

LIST OF PARTS

61 BOILER CONTROL PANEL - Exploded View

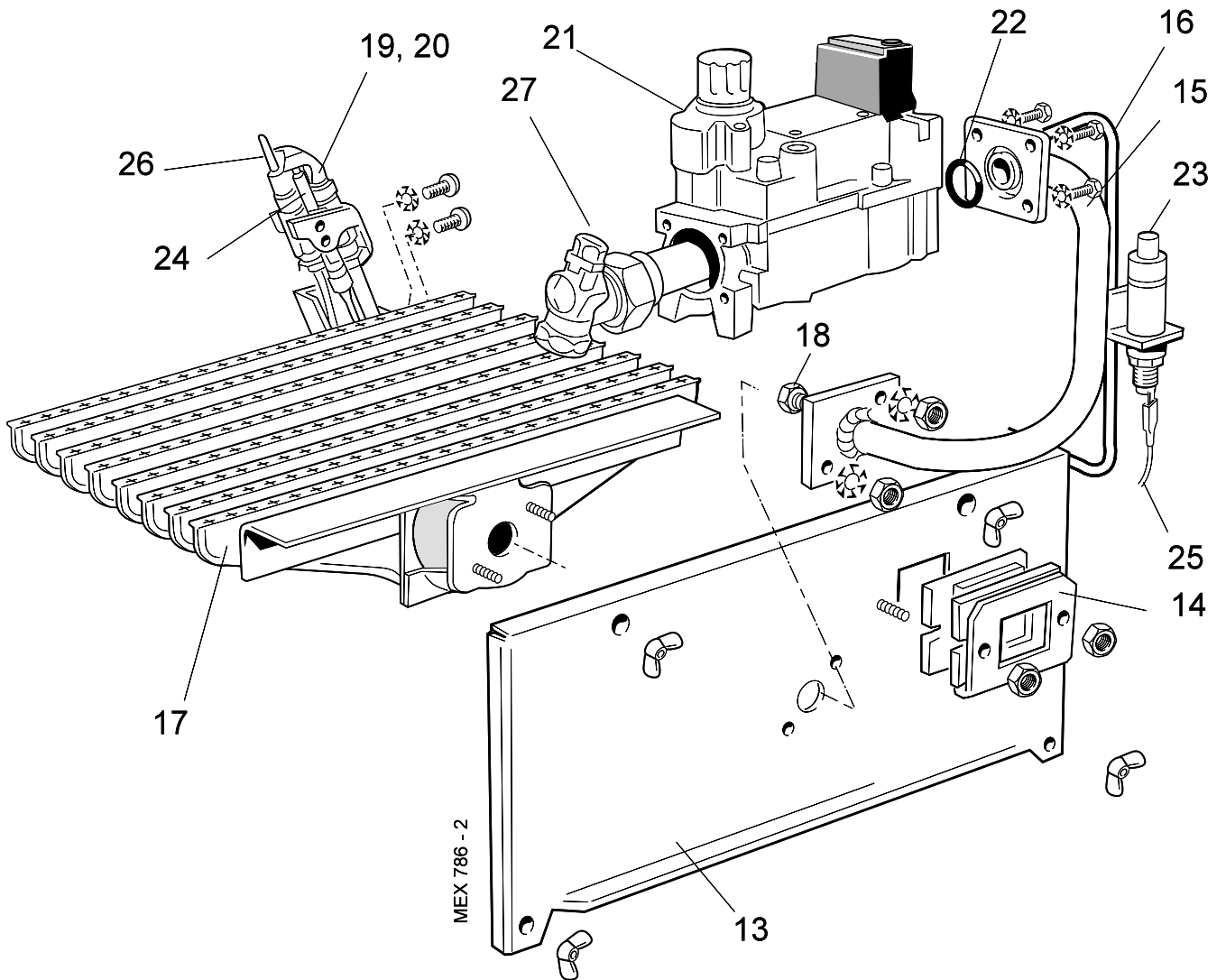


Legend

- 29. Control panel complete assy.
- 30. Control box.
- 31. Control thermostat.
- 32. Thermostat knob.
- 35. Control panel.
- 36. Magnetic strip.
- 37. Control front panel (door).

LIST OF PARTS

62 BURNER AND CONTROLS ASSEMBLY - CF 3/60P & CF 3/75P ONLY - Exploded View



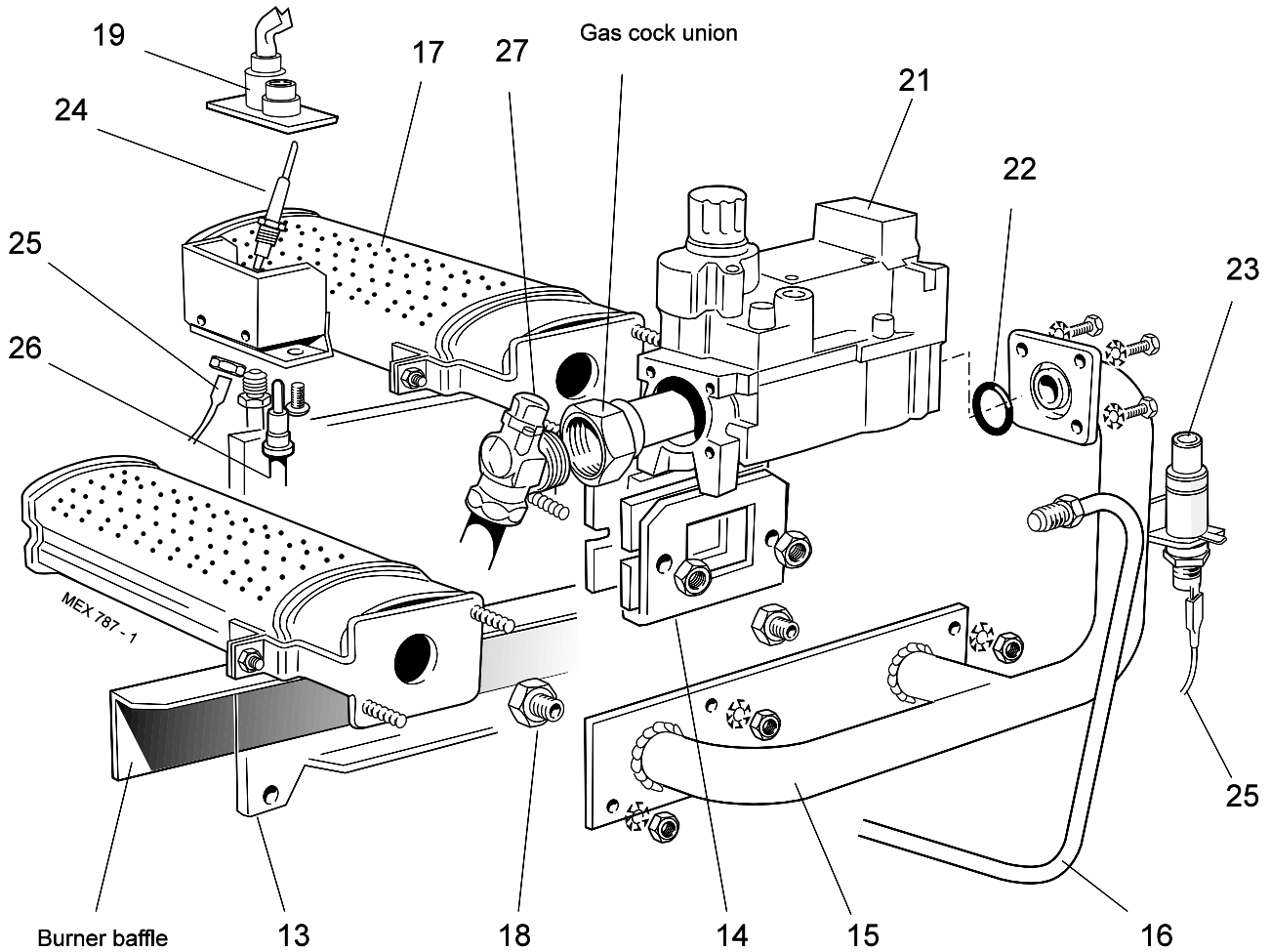
Legend

- | | |
|----------------------|-----------------------------|
| 13. Front plate. | 20. Pilot injector. |
| 14. Sightglass. | 21. Gas valve. |
| 15. Burner manifold. | 22. 'O' ring. |
| 16. Pilot pipe. | 23. Piezo unit. |
| 17. Burner. | 24. Ignition electrode. |
| 18. Burner injector. | 25. H.T. lead. |
| 19. Pilot burner. | 26. Thermocouple. |
| | 27. Gas service cock union. |

LIST OF PARTS

63 BURNER AND CONTROLS ASSEMBLY - CF 3/100P, CF 3/125P & CF 3/140P ONLY

Exploded View

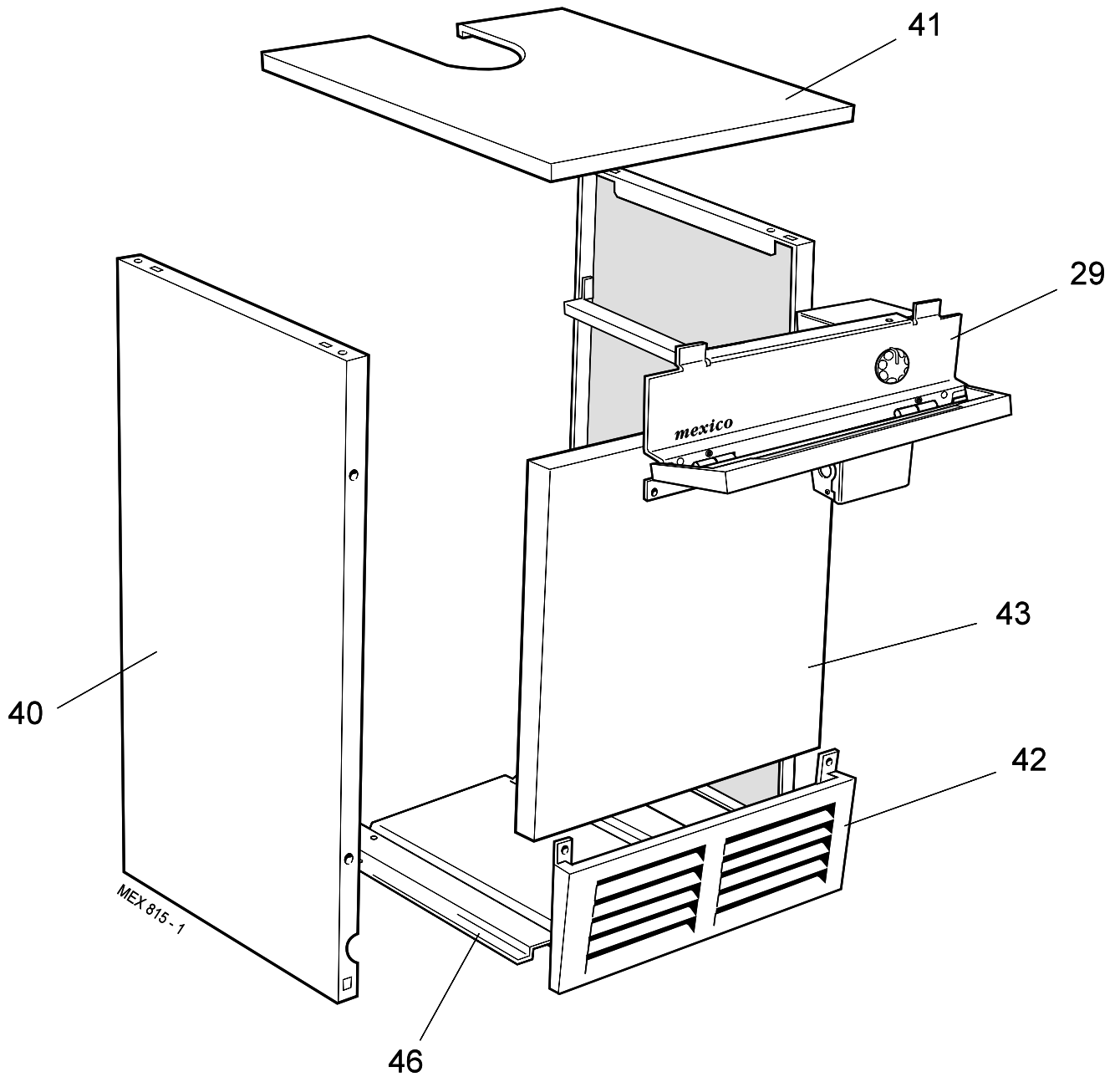


Legend

- | | |
|------------------------------|-------------------------|
| 13. Front plate. | 21. Gas valve. |
| 14. Sightglass. | 22. 'O' ring. |
| 15. Burner manifold. | 23. Piezo unit. |
| 16. Pilot pipe. | 24. Ignition electrode. |
| 17. Burner. | 25. Ignition lead. |
| 18. Burner injector - 2 off. | 26. Thermocouple. |
| 19. Pilot burner. | 27. Gas service cock. |

LIST OF PARTS

64 BOILER CASING ASSEMBLY



Legend

- 28. Casing complete.
- 29. Controls panel complete.
- 40. Casing side panel.
- 41. Casing top panel.
- 42. Grille panel.
- 43. Casing lower front panel.
- 46. Base plate.



**THIS SYMBOL IS YOUR
ASSURANCE OF QUALITY**

These appliances are designed for use with Natural Gas only. They have been tested and conform with the provisions of BS. 6332 and BS. 5258.

benchmark™

*The code of practice for the installation,
commissioning & servicing of central heating systems*



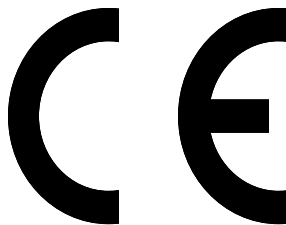
CERTIFIED PRODUCT
Manufactured under a BS EN ISO 9001: 1994
Quality System accepted by BSI

Caradon Plumbing Limited, P.O. Box 103, National Ave, Kingston upon Hull, HU5 4JN. Telephone: 01482 492 251
Fax: 01482 448 858. Registration No. London 322 137. Registered Office: National Avenue, Kingston upon Hull,
HU5 4JN. *A subsidiary of Caradon p.l.c*

Technical Training

The Caradon Plumbing Limited Technical Training Centre offers a series of first class training courses for domestic, commercial and industrial heating installers, engineers and system specifiers.

For details of courses please ring: 01270 413 624



Caradon Plumbing Limited pursues a policy of continuing improvement in the design and performance of its products. The right is therefore reserved to vary specification without notice.

September 1999 151 912 A02

***i* Ideal** BOILERS

Ideal Installer/Technical Helpline: 01482 498663

***Your feedback
and your chance to win a free boiler***

At Ideal we've been leaders in the design and engineering of robust and reliable boilers for over 90 years. We want to continue as leaders by listening to your suggestions for how to improve our boilers and our service. We'll be giving away a free boiler for the five best ideas every year (to be selected by our Technical Director). Please complete this form, using extra sheets if required, and post it or fax it to us on 01482 498699.

Boiler details

Model / Size (e.g. Classic RS 230, Mexico CF 3/60 etc. Details on control panel door)

Date of Installation

Installer details

Name

Address

Post Code

Telephone (Please include STD code)

How I would improve this boiler:

My general comments for Ideal:

Caradon 
Plumbing Solutions

Ideal Installer/Technical Helpline: 01482 498663

Further information

If you would like information about Ideal Boilers please complete this sheet and fax it to us on 01482 498699 or post it to Caradon Plumbing Limited, PO Box 103, National Avenue, Kingston upon Hull, HU5 4JN.

Installer details

Name

Address

Post Code

Telephone (Please include STD code)

General information required

- Please send me details of Ideal Training Courses.
- Please arrange for a technical representative to contact me.
- Please arrange for me to join an Ideal factory tour.

Range guides required

- The Ideal Guide: a specifier's and installer's introduction to the Ideal domestic boiler range.
- The Ideal Householders Guide: to assist the installer when presenting to his/her customers.

Technical manuals required

- The Ideal C class combi boiler
- The Ideal Classic wall hung boiler
- The Ideal Classic System wall hung boiler
- The Ideal Classic LX Deluxe wall hung boiler
- The Ideal Mexico floor standing boiler
- The Ideal Minimiser heat-saving boiler
- The Ideal Response combi boiler
- The Ideal Response SE super efficiency combi boiler
- The Ideal Systemiser SE super efficiency system boiler
- The Ideal Concord high output boiler
- The Ideal Buccaneer oil fired boiler

Caradon 
Plumbing Solutions

Caradon Plumbing Limited, PO Box 103, National Avenue, Kingston upon Hull, HU5 4JN. Telephone: 01482 492251 Fax: 01482 448858.

Ideal Installer/Technical Helpline: 01482 498663