

IDEAL

January, 1987

ELAN 2; 40F, 50F, 60F & 80F

Wall Mounted, Balanced Flue, Fanned Gas Boilers

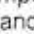
User's Instructions

CAUTION:

To avoid the possibility of injury during the operation or cleaning of this appliance, care should be taken when handling the edges of sheet steel components.

Appliance		G.C.Number
Ideal Elan 2	40F	41 415 62
Ideal Elan 2	50F	41 415 72
Ideal Elan 2	60F	41 415 61
Ideal Elan 2	80F	41 415 60

The Gas Safety (Installation and Use) Regulations: 1984 impose certain statutory obligations on gas users. Further information may be obtained on application to the Gas Region.

It is the law that all gas appliances are installed by competent persons e.g. CORGI (identified by ) in accordance with the above regulations.

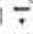
Failure to install appliances correctly could lead to prosecution. It is in your own interest, and that of safety, to ensure that the law is complied with.

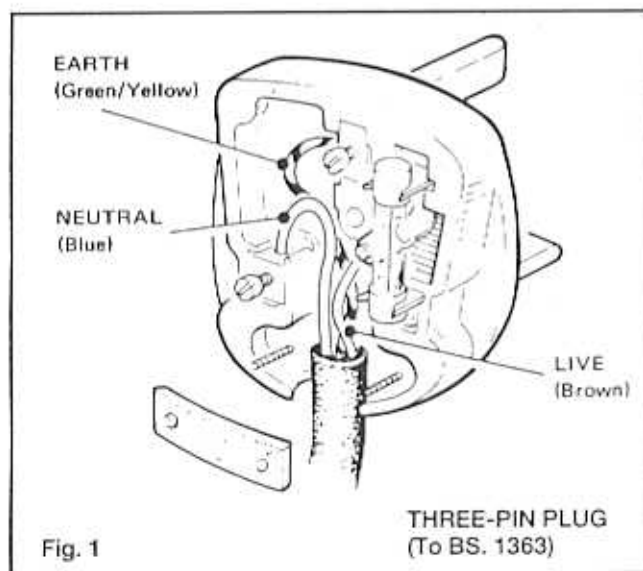
ELECTRICAL SUPPLY

If a mains plug is used it MUST be a 3-pin type, wired as shown in Fig. 1 and fused at 3 A.

The appliance MUST be efficiently earthed.

As the colour of the wires in the mains lead of this appliance may not correspond with the coloured markings identifying the terminals in your plug, proceed as follows:-

The wire which is coloured GREEN and YELLOW must be connected to the terminal in the plug which is marked with the letter E or by the earth symbol  or coloured GREEN or GREEN and YELLOW. The wire which is coloured BLUE must be connected to the terminal which is marked with the letter N or coloured BLACK. The wire which is coloured BROWN must be connected to the terminal which is marked with the letter L or coloured RED.



MINIMUM SERVICING SIZES

Boiler size	Width	Depth	Height
40F, 50 & 60F			
Rear flue mm (in)	400 (16)	300 (12)	1020 (40)
Side flue mm (in)	425 (16 ⁷ / ₈)	300 (12)	1020 (40)
80F			
Rear flue mm (in)	485 (19)	300 (12)	1020 (40)
Side flue mm (in)	510 (20)	300 (12)	1020 (40)

After installation, the boiler can be built into the following clearances required for servicing.

	Rear flue outlet	Side flue outlet
Above the boiler	100mm. (4 in.)	100mm. (4 in.)
At each side of the boiler	10mm. (⁷ / ₈ in.)	10mm. (⁷ / ₈ in.); flue side 30mm (1 ¹ / ₈ in.); other side
Underneath the boiler	100mm. (4 in.)	100mm. (4 in.)

In addition an adequate clearance MUST be available at the front of the boiler -enabling the appliance to be serviced.

IMPORTANT: THIS APPLIANCE MUST NOT BE OPERATED WITHOUT THE CASING CORRECTLY FITTED AND FORMING AN ADEQUATE SEAL.

If the boiler is installed in a compartment it MUST NOT be used for storage purposes.

The ventilation provided for the boiler during installation MUST NOT be blocked and a check should be made periodically that the ventilation areas are free from any obstruction.

If it is known or suspected that a fault exists on the boiler it MUST NOT be used until the fault has been corrected by a competent person.

It is ESSENTIAL that the instructions in this booklet are strictly followed for safe and economical operation of the boiler.

TO LIGHT THE BOILER- Refer Fig. 2

1. Check that the electricity supply to the boiler is OFF.
2. Press the overheat reset button (A)- located on top of the boiler back panel
3. Slide the glass fascia upwards until it locates on the retaining catch (F)
4. Ensure that the boiler thermostat selector switch (D) is in the OFF position
5. Switch ON the electricity supply to the boiler and check that all external controls, eg. room thermostat e.t.c., are ON. The 'MAINS ON' neon (C) will glow.
6. Set the boiler thermostat switch to the desired position-HIGH or LOW. After about 15 seconds the boiler will light automatically.
7. Lift the glass fascia slightly, release the retaining catch (F) by pulling it forward, and slide the fascia down

For WINTER CONDITIONS i.e. central heating and domestic hot water, the thermostat should be set at HIGH

For SUMMER CONDITIONS i.e. domestic hot water only the thermostat should be set at LOW

Approximate flow temperatures for the boiler thermostat settings are:-

Thermostat Setting	Approx. Flow Temp	
	°C	°F
High	82	180
Low	60	140

TO SHUT DOWN THE BOILER

1. **For short periods:**
Set the boiler thermostat selector switch (D) to OFF. When heating is again required - restore the switch to its original setting.
2. **For longer periods:**
Set the boiler thermostat selector switch (D) to OFF. Switch the electricity supply to OFF.

WARNING:

If no frost protection is provided and frost is likely during a short absence from home, leave the heating controls, (if fitted) at a reduced temperature setting.

For longer periods, the entire system should be drained, including the domestic water supply.

If the system includes a frost thermostat, then, during cold weather, the boiler should be turned OFF at the time switch (if fitted) only.

The mains supply should be left switched 'ON' with the boiler HEATING & WATER switches remaining in 'OFF' positions.

BOILER OVERHEAT THERMOSTAT

The boiler is fitted with a safety 'cut out' thermostat which will interrupt the mains supply to the boiler and shut it down in the event of overheating. The 'Mains On' neon will go out.

Should this occur allow the boiler to cool and then re-light as detailed in steps 1 to 7, under 'To Light the Boiler'.

If the 'cut out' condition still persists then turn off the boiler and consult your local Heating Installer.

CONTROL OF WATER TEMPERATURE

1. Set the boiler thermostat selector switch to give the required temperature.
2. The boiler thermostat automatically switches the main burner OFF and ON to maintain the selected temperatures.

TO RELIGHT THE BOILER

Repeat the procedure 1-7 detailed in 'To Light the Boiler'.

ESCAPE OF GAS

Should a gas leak be suspected, contact your local Gas Region without delay.

Do NOT search for gas leaks with a naked flame.

CLEANING

For normal cleaning, simply dust with a dry cloth. To remove stubborn marks and stains, wipe with a damp cloth and finish off with a dry cloth.

Do NOT use abrasive cleaning materials.

MAINTENANCE

The appliance should be SERVICED AT LEAST ONCE A YEAR by a qualified Heating Engineer or your Local Gas Region.

LEGEND

- A Overheat Thermostat reset button
- B Sightglass
- C 'Mains On' indicator neon
- D Thermostat selector switch
- E Gas service cock
- F Fascia retention catch

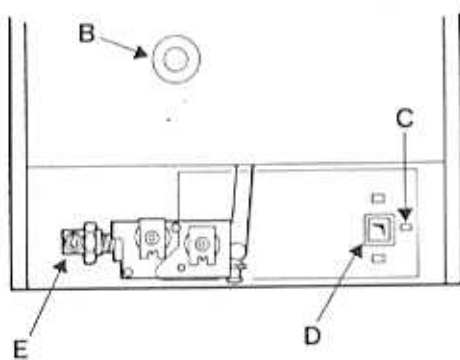
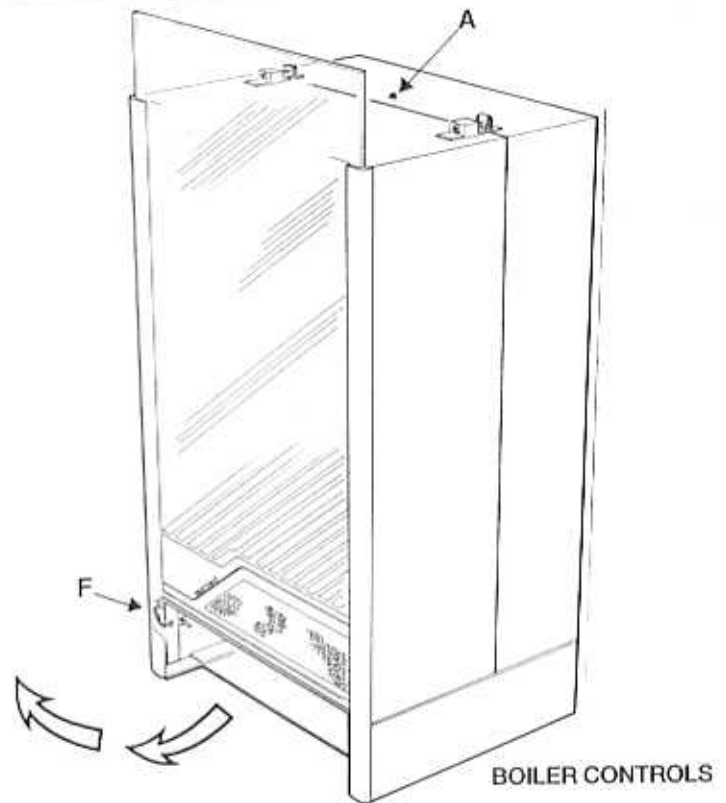


Fig. 2



STELRAD GROUP pursues a policy of continuing improvement in design and performance of its products. The right is therefore, reserved to vary specification without notice.

STELRAD GROUP Limited
Sales and Marketing
P.O. Box 103, National Avenue
Kingston upon Hull,
North Humberside. HU5 4JN
Telephone: 0482 492251 Telex: 527032

Head and Registered Office:
Newtown Road, HENLEY-on-Thames, Oxfordshire
RG9 1HL
Registration No. London 322137

A SUBSIDIARY OF METAL BOX p.l.c.

H.0507 1/87

Printed in England.

 **STELRAD
GROUP**