

HORSTMANN

Bimetallic room thermostat for heating and air-conditioning installations.

Thermal, electrical and mechanical features.

Breaking capacity:

on opening contact , 10A - 250V A.C. (ohmic load)

on closing contact , 3A - 250V A.C. (ohmic load)

Differential: 0.5K.

Temperature's scale adjustment:

After almost two days from the installation, to obtain a precise scale adjustment, measure the room temperature with a thermometer, placed aside the thermostat. Holding the shagrened part of the knob, turn the index with a coin to reach the same value of the thermometer. We suggest to install the equipment about at 1.5 mt from the floor, and far from any heat source.

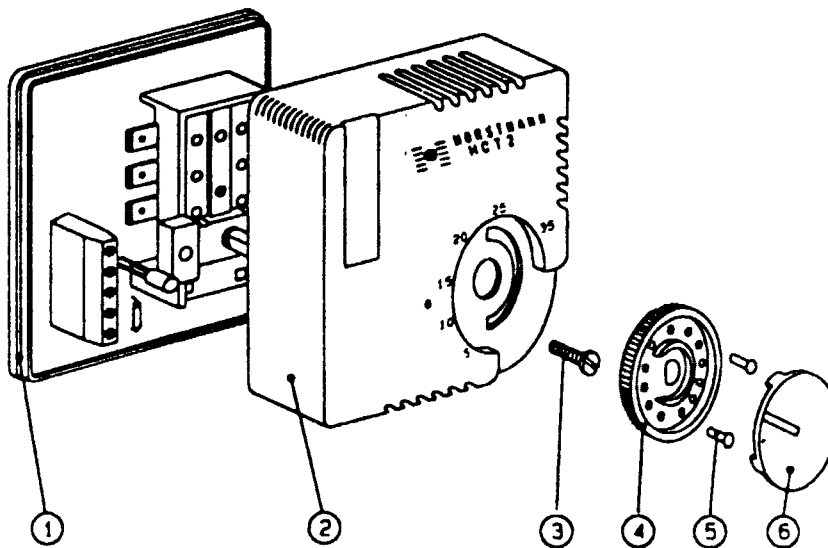
- 1) Base.
- 2) Cover.
- 3) Cover screw.
- 4) Knob.
- 5) Lock pins. The lock pins for scale limitation (5) are to be detached from the base of the thermostat. They are located on the fixing holes.
- 6) Index.

The fixing of the room thermostat can be done directly on the wall by screws and nags.

IMPORTANT!!!

Accelerating resistance with voltage to 220÷250V a.c.

This thermostat is provided with an accelerating resistance which must be absolutely connected in order to obtain the regulation's performances. The terminal 4 has thus to be connected to the neutral according to the diagram shown on the cover. This connection allows also the working of the pilot lamp which indicates the operation of the heating.



WIRING CONNECTIONS

