

HORSTMANN

SAPPHIRE REPLACEMENT GUIDE

Example circuit diagrams for some typical installations are shown on pages 2,3 and 4 of this guide. These diagrams are schematic and should be used as a guide only.

Please ensure that all installations comply with the current IEE regulations.

For reasons of clarity the diagrams have been simplified, for instance some Earth connections have been omitted.

Other control components shown in the diagrams i.e. Valves, RoomStats etc are general representations only. However the wiring detail can be applied to the corresponding models of most manufactures e.g. Horstmann, Honeywell, Danfoss Randall, ACL Drayton etc.

Cylinder and Room Thermostat Key:

C = Common

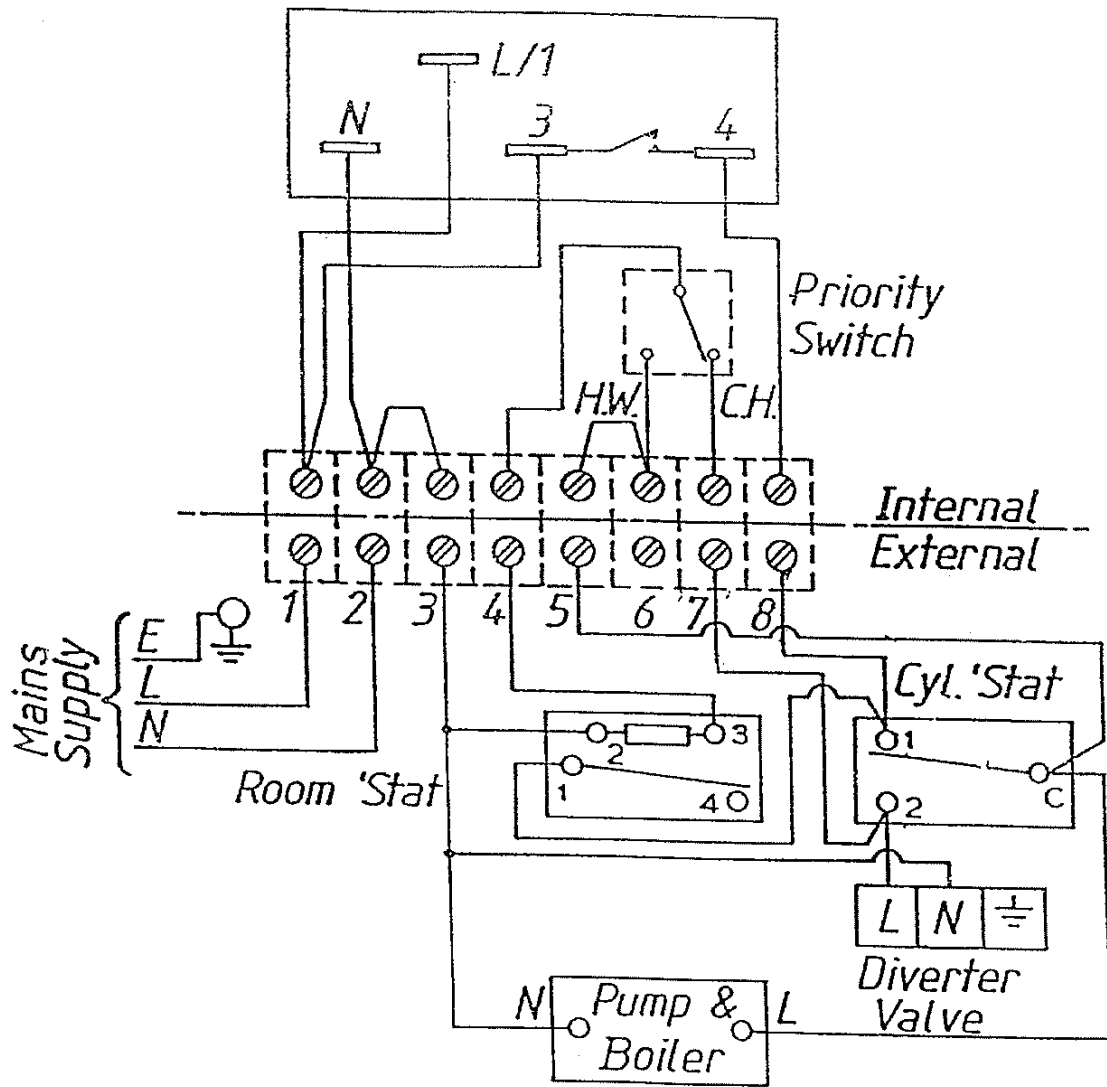
CALL = Call for heat or break on rise

SAT = Satisfied on rise

N = Neutral

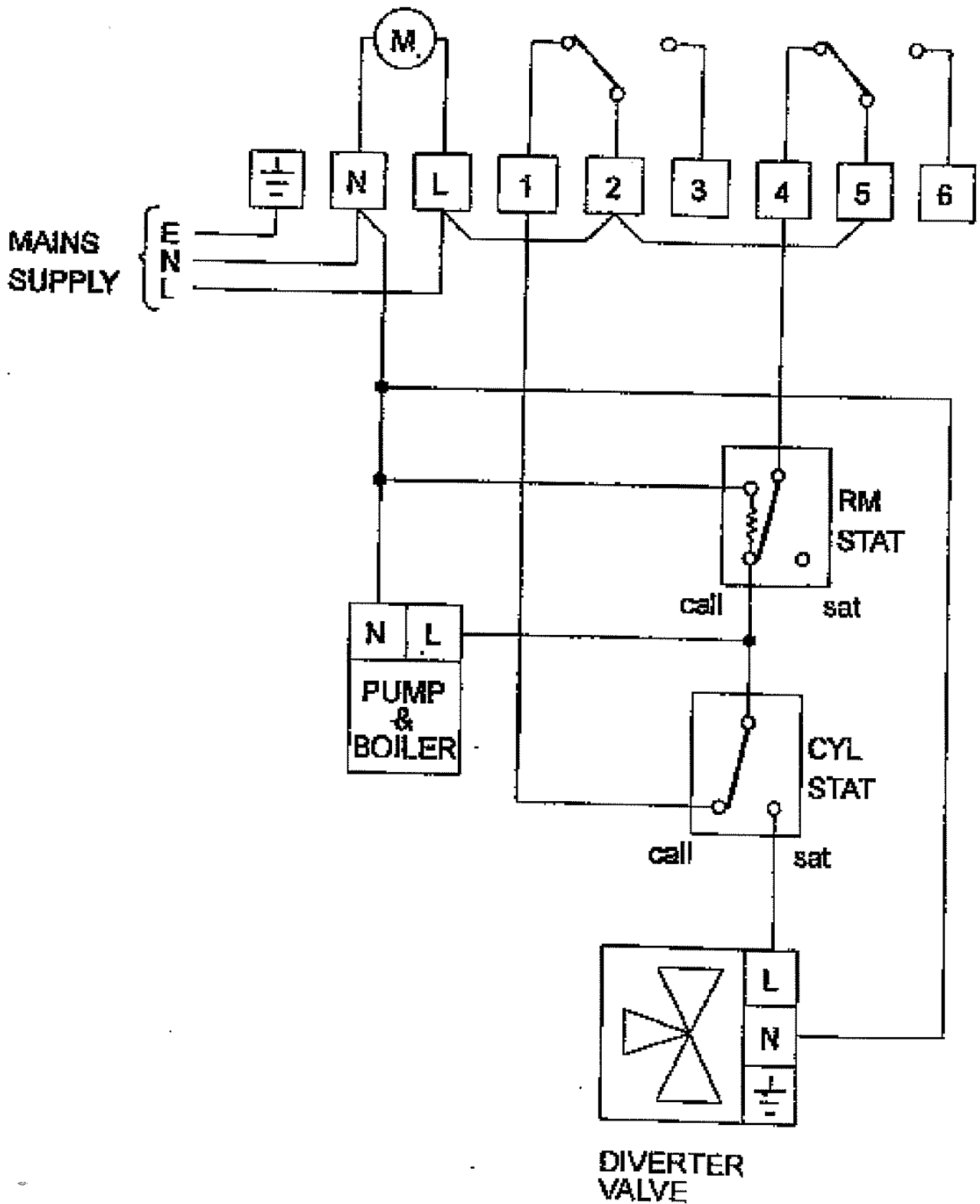
INSTALLATION AND CONNECTION SHOULD ONLY BE CARRIED OUT BY A SUITABLY QUALIFIED PERSON AND IN ACCORDANCE WITH THE CURRENT EDITION OF THE IEE WIRING REGULATIONS.

WARNING : ISOLATE MAINS SUPPLY BEFORE COMMENCING INSTALLATION



Horstmann 424 Sapphire
controlling :-
Fully Pumped System using
2 Position Diverter Valve

Horstmann CentaurPlus C21 or C27 Programmer controlling 3 port diverter valve giving Hot water priority(Honeywell 'W' Plan).



HORSTMANN 425,525,527,H21 or H27 PROGRAMMER CONTROLLING
 3 PORT DIVERTER VALVE GIVING H.W. PRIORITY (HONEYWELL 'W' PLAN)

