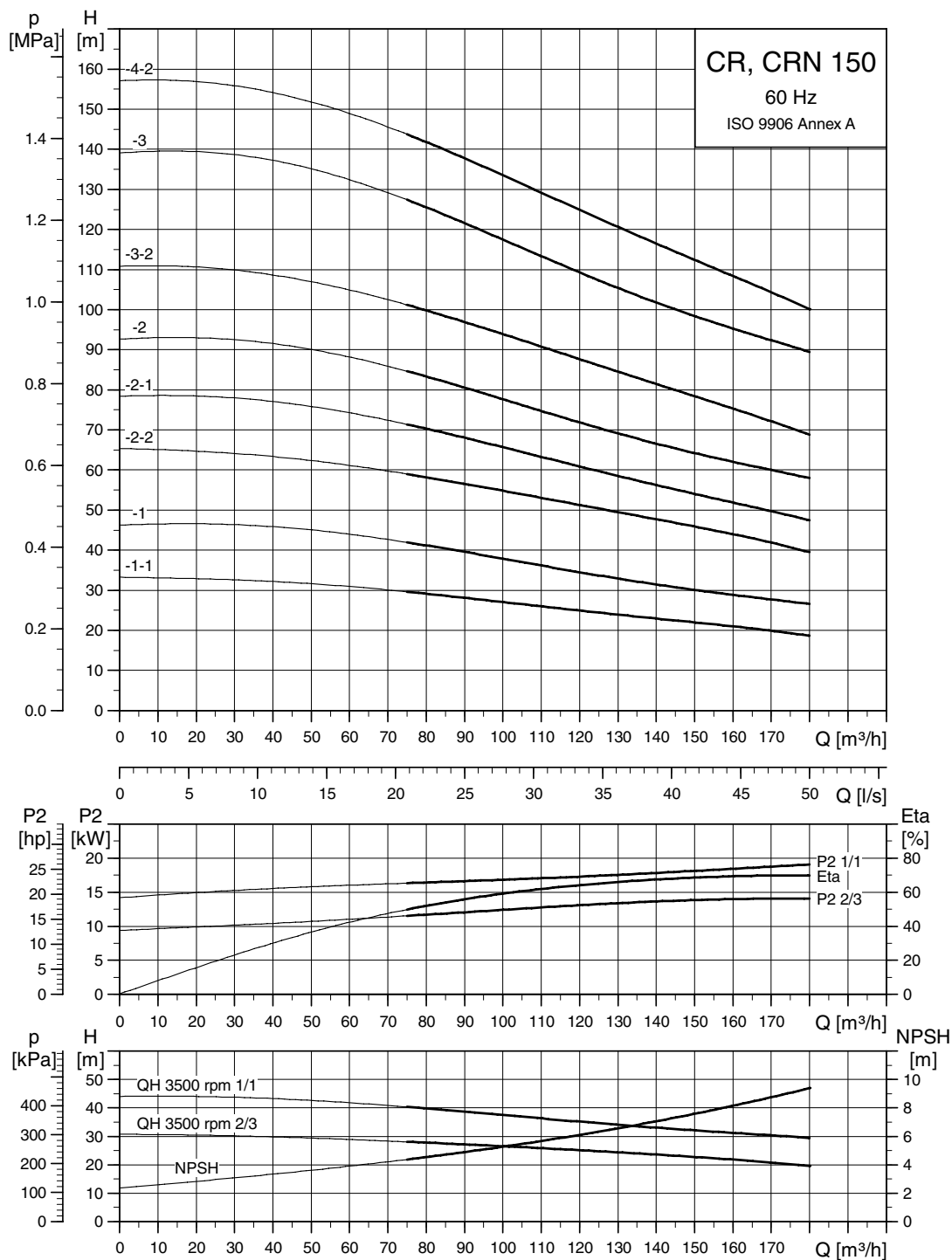


## CR, CRN 150

60 Hz

### Performance curves

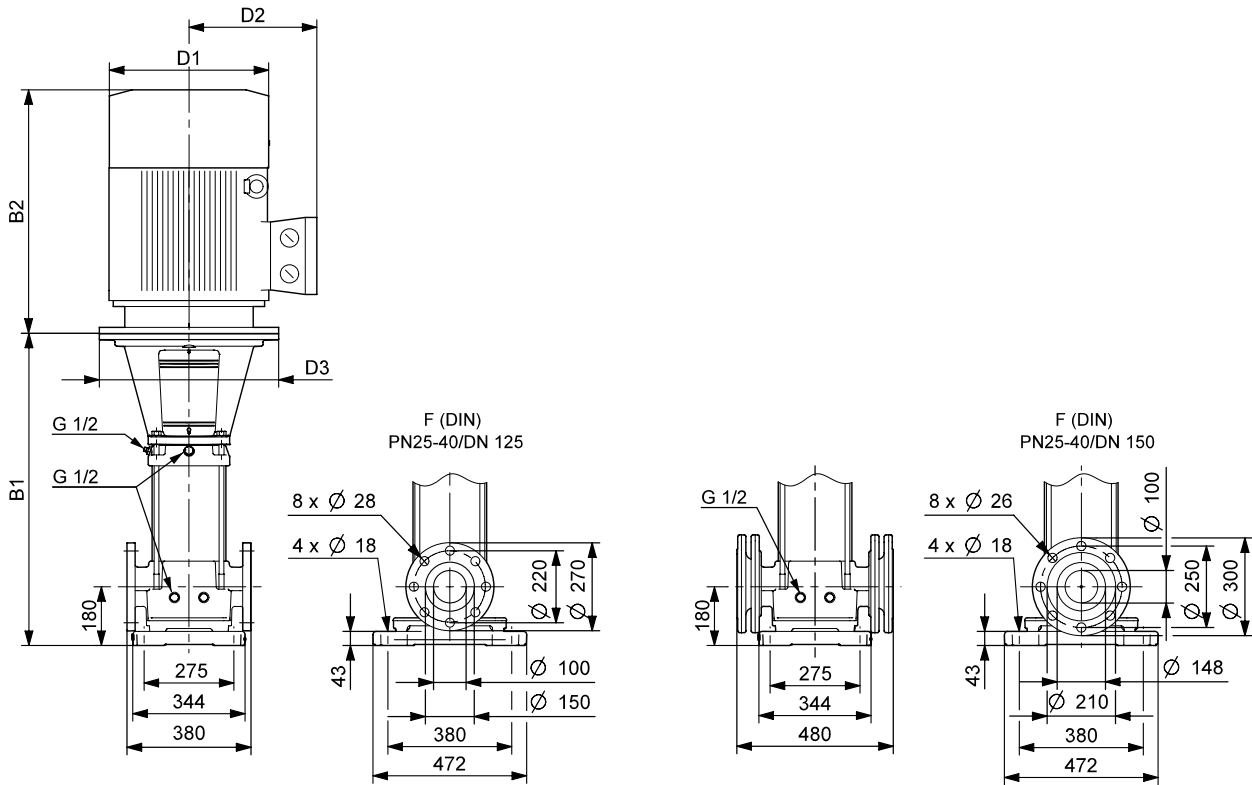


TM03 8291 2407

CR, CRN 150

60 Hz

Dimensional sketch



TM03 5999 4106

Dimensions and weights

Pump type	Motor P <sub>2</sub> [kW]	Dimension [mm]					Net weight [kg]
		B1	B1+B2	D1	D2	D3	
CR 150-1-1	18.5	835	1353	320	197	350	201
CR 150-1	22	835	1444	363	262	350	287
CR 150-2-2	30	990	1600	402	300	400	347
CR 150-2-1	37	990	1657	402	300	400	377
CR 150-2	45	990	1699	442	325	449	457
CR 150-3-2	55	1176	1923	495	392	550	601
CR 150-3	75	1176	1996	555	432	550	736
CR 150-4-2	75	1331	2151	555	432	550	750

Subject to alterations.