

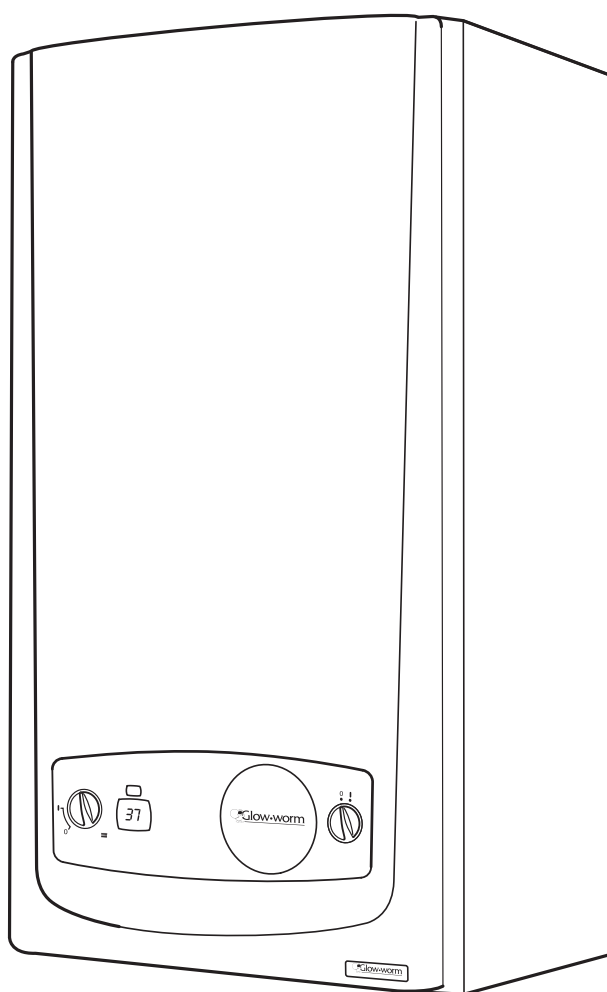
# Instructions for Use Installation and Servicing

To be left with the user

**18sxi**  
G.C. No. 41-047-72

**30sxi**  
G.C. No. 41-047-62

High Efficiency  
Condensing  
System Boiler



# Guarantee Registration

Thank you for installing a new Glow-worm appliance in your home.

Glow-worm appliances are manufactured to the very highest standard so we are pleased to offer our customers a Comprehensive Guarantee.

This product is guaranteed for 24 months from the date of installation or 30 months from the date of manufacture, whichever is the shorter, for parts. In addition this product is guaranteed for 12 months from the date of installation or 18 months from the date of manufacture, whichever is the shorter, for labour.

The second year of the parts guarantee, from the beginning of the 13th month onwards after installation or manufacture, is conditional upon the boiler having been serviced by a CORGI registered gas installer, in accordance with the manufacturer's recommendations. We strongly recommend regular servicing of your gas appliance, but where the condition is not met, any chargeable spare parts or components issued within the applicable guarantee period still benefit from a 12 month warranty from the date of issue by the manufacturer.

We recommend you complete and return as soon as possible your guarantee registration card.

If your guarantee registration card is missing you can obtain a copy or record your registration by telephoning the Glow-worm Customer Service number 01773 828100.

**For customer service call:**

**01773 828100**

**Technical helpline: 01773 828300**

**For General and Sales enquiries:**

**Tel. 01773 824639**

**Fax: 01773 820569**

**To register your Glow-worm appliance call:**

**0800 073 2142**



## Contents

The instructions consist of three parts, User, Installation and Servicing Instructions. The instructions are an integral part of the appliance and must, to comply with the current issue of the Gas Safety (Installation and Use) Regulations, be handed to the user on completion of the installation.

CONTENTS	DESCRIPTION	SECTION	PAGE No.
<b>INTRODUCTION</b>	Important Information		4
	General Information		5
	Manual Handling		5
<b>INSTRUCTIONS FOR USE</b>	Appliance Safety Devices		7
	Maintenance and Servicing		7
	Operating the Boiler		8
<b>INSTALLATION INSTRUCTIONS</b>	Technical Information	1	9
	Boiler Location and Ventilation	2	12
	Flue Location and Ventilation	3	13
	Heating System	4	15
	Domestic Hot Water System	5	16
	Installation Preparation	6	17
	Gas/Water & Appliance Connection	7	20
	Safety Discharge Valve and Condensate Connections	8	21
	Flue Preparation Telescopic and Standard Flue	9	23
	Electrical Connections	10	26
	Commissioning	11	28
<b>SERVICING INSTRUCTIONS</b>	Servicing	12	31
	Fault Finding	13	35
	Replacement of Parts	14	39
	Spare Parts	15	48

## Important Information

### WARNINGS

#### Gas Leak or Fault

Turn off the gas emergency control valve immediately. Eliminate all sources of ignition, i.e. smoking, blowlamps, hot air guns etc. Do not operate electrical lights or switches either on or off. Open all doors and windows, ventilate the area.

#### Sheet Metal Parts

This boiler contains metal parts (components) and care should be taken when handling and cleaning, with particular regard to edges.

#### Sealed Components

Under no circumstances must the User interfere with or adjust sealed parts.

### Gas Category

This boiler is for use only on G20 natural gas, but the 30sxi may be converted for use on G31 gas (Propane L.P.G.).

### Gas safety (Installation and use) Regulations

In your interests and that of gas safety, it is the law that ALL gas appliances are installed and serviced by a **competent person** in accordance with the above regulations.

### Testing and Certification

This boiler is tested and certificated for safety and performance. It is therefore important that no alteration is made to the boiler, without permission, in writing, from Glow-worm.

Any alteration not approved by Glow-worm, could invalidate the certification, boiler warranty and may also infringe the current issue of the Statutory Requirements.

### CE Mark

This boiler meets the requirements of Statutory Instrument No. 3083 The boiler (Efficiency) Regulations, and therefore is deemed to meet the requirements of Directive 92/42/EEC on the efficiency requirements for new hot water boilers fired with liquid or gaseous fuels.

Type test for purposes of Regulation 5 certified by: Notified body 0087.

Product/production certified by: Notified body 0086.

The CE mark on this appliance shows compliance with:

1. Directive 90/396/EEC on the approximation of the laws of the Member States relating to appliances burning gaseous fuels.
2. Directive 73/23/EEC on the harmonization of the Laws of the Member States relating to the electrical equipment designed for use within certain voltage limits.
3. Directive 89/336/EEC on the approximation of the Laws of the Member States relating to electromagnetic compatibility.

### Control of Substances Hazardous to Health

The adhesives and sealants used in this appliance are cured and give no known hazard in this state.

#### *Insulation Pads / Ceramic Fibre*

If you have a history of skin complaint you may be susceptible to irritation. High dust levels are usual only if the material is broken.

Normal handling should not cause discomfort, but follow normal good hygiene and wash your hands before eating, drinking or going to the lavatory.

If you do suffer irritation to the eyes or severe irritation to the skin seek medical attention.

The insulation is composed of non-combustible material.

### Electrical Supply

The boiler must be earthed.

All system components shall be of an approved type and shall be connected in accordance with the current issue of BS7671 and any applicable local regulations.

External wiring must be correctly earthed, polarised and in accordance with the relevant standards.

In GB this is BS 7671.

In IE this is the current edition of I.S.813 "Domestic Gas Installations".

The boiler must be connected to a permanent 230V ac, 50Hz supply.

Connection of the whole electrical system of the boiler, including any heating controls, to the electrical supply must be through one common isolator.

Isolation should be by a double pole switched fused spur box, with a minimum gap of 3mm for both poles. The fused spur box should be readily accessible and preferably adjacent to the appliance. It should be identified as to its use.

Alternatively, an unswitched shuttered socket outlet and 3A fused 3 pin plug, both to the current issue of BS1363 may be used provided that they are not used in a room containing a bath or shower.

Wiring to the boiler must be PVC 85°C insulated cable, not less than 0.75mm<sup>2</sup> (24/0.20mm).

### Sealed System

Draining, refilling and pressurising **MUST** be carried out by a **competent person**.

## General Information

### General Note

This condensing system boiler is designed to provide central heating from a sealed water system with a fully indirect cylinder. The central heating water temperature can be adjusted on the boiler.

Once the controls are set the boiler operates automatically.

Please read these instructions and follow them carefully for the correct and economical use of your boiler.

### Water Treatment

In the case of an existing installation, it is **ESSENTIAL** that prior to installing the new boiler the system is thoroughly flushed. For optimum performance after installation of a new system, the boiler and its associated central heating system should also be flushed. Flushing should be carried out in accordance with BS7593: 1992 using a cleanser such as Sentinel X300 or X400, Fernox restorer or Salamander corrosion guard cleaner.

For long-term corrosion protection, after flushing, an inhibitor suitable for stainless steel exchangers should be used, refer to the current issue of BS 5449 and BS 7593 on the use of inhibitors in central heating systems. Examples are Sentinel X100 Fernox protector or Salamander corrosion guard inhibitor.

### Compartment or Cupboard Installations

If the boiler is fitted into a compartment or cupboard it does not require ventilation openings.

Do not use the compartment or cupboard for storage.

### Clearances

If fixtures are positioned close to the boiler, space must be left as shown in diagram 2.1. Enough space must also be left in front of the boiler to allow for servicing.

### Condensate Drain

The condensate drain, see section 8.2, must not be modified or blocked.

### Plumbing from flue terminal

Like all condensing boilers this appliance will produce a plume of condensation from the flue terminal in cool weather. This is due to the high efficiency and hence low flue gas temperature of the boiler. It is normal and not a fault indication.

### Cleaning

The boiler casing can be cleaned using a mild liquid detergent with a damp cloth, then a dry cloth to polish.

Do not use any form of abrasive or solvent cleaner as you may damage the paintwork.

### Electrical Supply

If the mains electricity and gas are to be turned off for any long periods during severe weather, it is recommended that the whole system, including the boiler, should be drained to avoid the risk of freezing. Make sure that, if fitted, the immersion heater in the cylinder is switched off.

## Manual Handling

**IMPORTANT:** With regards to the Manual Handling Operations, 1992 Regulations, the following lift operation exceeds the recommended weight for a one man lift.

### General recommendations when handling

Clear the route before attempting the lift.

Ensure safe lifting techniques are used – keep back straight – bend using legs.

Keep load as close to body as possible.

Do not twist – reposition feet instead.

If 2 persons performing lift, ensure co-ordinated movements during lift.

Avoid upper body/top heavy bending - do not lean forward/sideways.

Recommend wear suitable cut resistant gloves with good grip to protect against sharp edges and ensure good grip.

Always use assistance if required.

### Removal of carton from delivery van

Recommend 2 person lift or 1 person with use of sack truck. If 1 person is performing lift, straddle the load, tilt and place carton into position on truck. Recommend secure appliance onto truck with suitable straps. Ensure safe lifting techniques are used – keep back straight – bend using legs. Keep load as close to body as possible. If 2 persons performing lift, ensure co-ordinated movements during lift. Always use assistance if required.

### Carriage of carton from point of delivery to point of installation – ground floor

Recommend 2 person lift or 1 person with use of sack truck. If 1 person is performing lift, straddle the load, tilt and place carton into position on truck. Recommend secure appliance onto truck with suitable straps. Ensure safe lifting techniques are used – keep back straight – bend using legs. Keep load as close to body as possible. If 2 persons performing lift, ensure co-ordinated movements during lift. Clear the route before attempting the lift. If removing boiler from truck straddle the load and tilt forwards to facilitate secure grip. Ensure safe lifting techniques are used – keep back straight – bend using legs. Do not twist – reposition feet instead. Take care to avoid trip hazards, slippery or wet surfaces and when climbing steps and stairs. Always use assistance if required.

### **Carriage of carton from point of delivery to point of installation – first or higher floor, cellar.**

Recommend 2-person lift or 1 person with use of sack truck. If 1 person is performing lift, straddle the load, tilt and place carton into position on truck. Recommend secure appliance onto truck with suitable straps. Ensure safe lifting techniques are used – keep back straight – bend using legs. Keep load as close to body as possible. If 2 persons performing lift, ensure co-ordinated movements during lift. Avoid upper body/top heavy bending - do not lean forward/sideways. Clear the route before attempting the lift. If removing boiler from truck straddle the load and tilt forwards to facilitate secure grip. Ensure safe lifting techniques are used – keep back straight – bend using legs. Do not twist – reposition feet instead. Take care to avoid trip hazards, slippery or wet surfaces and when climbing steps and stairs. Always use assistance if required.

### **Carriage of carton from point of delivery to point of installation – roofspace.**

Recommend 2-person lift. Ensure co-ordinated movements during lift. Avoid upper body/top heavy bending - do not lean forward/sideways. Clear the route before attempting the lift. Take care to avoid trip hazards, slippery or wet surfaces and when climbing steps and stairs. When transferring appliance into roofspace, recommend 1 person to be in roofspace to receive the appliance and other person to be below to pass up and support appliance. Ensure safe lifting techniques are used – keep back straight – bend using legs. Keep load as close to body as possible. Always use assistance if required. It is assumed safe access, flooring and adequate lighting are provided in the roof space. It is recommended a risk assessment of the roof space area be carried out before moving the appliance into the area to take into account access, stability of flooring, lighting and other factors, and appropriate measures taken.

### **Unpacking of appliance from carton.**

Recommend 2 persons unpack appliance from carton. Always keep working area clear. Recommend cut base end of carton and open carton flaps, then tilt boiler forwards from its side onto its base and remove carton by sliding up over the boiler. Ensure safe lifting techniques are used – keep back straight – bend using legs. Keep load as close to body as possible. Always use assistance if required. Dispose of packaging in a responsible manner. Recommend wear suitable cut resistant gloves with good grip to protect against sharp edges and ensure good grip when handling appliance outside packaging.

### **Positioning of Appliance for Final Installation – no obstructions.**

Recommend 2 persons lift appliance to position into place. Fit bracket securely onto wall before lifting appliance into position. Obtain firm grip on front and sides of appliance, lift upwards, ensure stable balance achieved and lift upwards to position in place on bracket. Ensure safe lifting techniques are used – keep back straight – bend using legs - when lifting load from floor level. Do not twist – reposition feet instead. Keep boiler as close as possible to body throughout lift to minimise strain on back. Ensure co-ordinated movements to ensure equal spread of weight of load. Always use assistance if required. Recommend wear suitable cut resistant gloves with good grip to protect against sharp edges and ensure good grip when handling appliance.

### **Positioning of Appliance for Final Installation – above worktop, foreseeable obstructions etc.**

Recommend 2 persons lift appliance to position into place. Fit bracket securely onto wall before lifting appliance into position. Obtain firm grip on front and sides of appliance, lift upwards, onto worktop if practicable. Ensure stable balance achieved and lift upwards to position in place on bracket. If 2 persons positioning onto bracket obtain firm grip at front and sides/base of boiler. Ensure co-ordinated movements during 2 person lifts to ensure equal spread of weight of load. Ensure safe lifting techniques are used – keep back straight – bend using legs - when lifting load from floor level. Do not twist – reposition feet instead. Keep boiler as close as possible to body throughout lift to minimise strain on back. Avoid upper body/top heavy bending - do not lean forward/sideways. Always use assistance if required. Recommend wear suitable cut resistant gloves with good grip to protect against sharp edges and ensure good grip when handling appliance.

### **Positioning of Appliance for Final Installation – within compartment etc. restricting installation.**

Recommend 2 persons lift appliance to position into place, space permitting. Fit bracket securely onto wall before lifting appliance into position. Obtain firm grip on front and sides of appliance, lift upwards, onto worktop if practicable. Ensure stable balance achieved and lift upwards to drop into place onto bracket. If 2 persons positioning onto bracket obtain firm grip at front and sides/base of boiler. Ensure co-ordinated movements during 2 person lifts to ensure equal spread of weight of load. If 1 person positioning onto bracket recommend obtain firm grip supporting base of boiler. Ensure safe lifting techniques are used – keep back straight – bend using legs - when lifting load from floor level. Do not twist – reposition feet instead. Keep boiler as close as possible to body throughout lift to minimise strain on back. Always use assistance if required. Recommend wear suitable cut resistant gloves with good grip to protect against sharp edges and ensure good grip when handling appliance.

### **Positioning of Appliance for Final Installation – in roof space restricting installation.**

Recommend 2 persons lift appliance to position into place, space permitting. Fit bracket securely onto wall before lifting appliance into position. Obtain firm grip on front and sides of appliance, lift upwards, ensure stable balance achieved and lift upwards to position into place onto bracket. If 2 persons positioning onto bracket obtain firm grip at front and sides/base of boiler. Ensure co-ordinated movements during 2 person lifts to ensure equal spread of weight of load. If 1 person positioning onto bracket recommend obtain firm grip supporting base of boiler. Ensure safe lifting techniques are used - keep back straight – bend using legs - when lifting load from floor level. Do not twist – reposition feet instead. Keep boiler as close as possible to body throughout lift to minimise strain on back. Always use assistance if required. Recommend wear suitable cut resistant gloves with good grip to protect against sharp edges and ensure good grip when handling appliance. It is recommended a risk assessment of the roof space area be carried out before moving the appliance into the area to take into account access, stability of flooring, lighting and other factors, and appropriate measures taken.



## Appliance Safety Devices - User Instructions

### Electrical Supply Failure Reset Switch

The boiler will not work without an electrical supply.

Normal operation of the boiler should resume when the electrical supply is restored.

Reset any external controls, to resume normal operation of the central heating.

If the boiler does not resume normal operation turn the mains reset switch off and on. If the boiler does not resume normal operation after this the overheat stat may have operated.

### Overheating Safety

In the event of the boiler overheating the safety devices will cause a safety shutdown. If this happens, call your Installation/ Servicing company.

### Frost Protection

The appliance has a built in frost protection programme as long as the electricity and gas are left switched on.

This device operates the burner and system pump when the temperature inside the boiler falls to 3°C.

Any other exposed areas of the system should be protected by a separate frost thermostat.

### Condensate Drain Blockage

As a safety feature the boiler will stop working if the condensate drain becomes blocked. During freezing conditions this may be due to the forming of ice in the condensate drain external to the house. Release an ice blockage by the use of warm cloths on the pipe. The boiler should then restart. Contact your installation/ servicing company if the fault persists.

## Maintenance and Servicing - User Instructions

### Maintenance and Servicing

To ensure the continued efficient and safe operation of the appliance it is recommended that it is checked and serviced as necessary at regular intervals. The frequency of servicing will depend upon the particular installation conditions and usage, refer to guarantee registration on the inside front cover of this literature.

If this appliance is installed in a rented property in the UK there is a duty of care imposed on the owner of the property by the current issue of the Gas Safety (Installation and Use) Regulations, Section 35.

Servicing/maintenance should be carried out by a **competent person** in accordance with the rules in force in the countries of destination.

To obtain service, please call your installer or Glow-worm's own service organisation using the telephone number on the inside front cover of this literature.

Please be advised that the 'Benchmark' logbook should be completed by the installation engineer on completion of commissioning and servicing.

All CORGI Registered Installers carry a CORGI ID card, and have a registration number. Both should be recorded in your benchmark Logbook. You can check your installer is CORGI registered by calling CORGI direct on: 01256 372300.

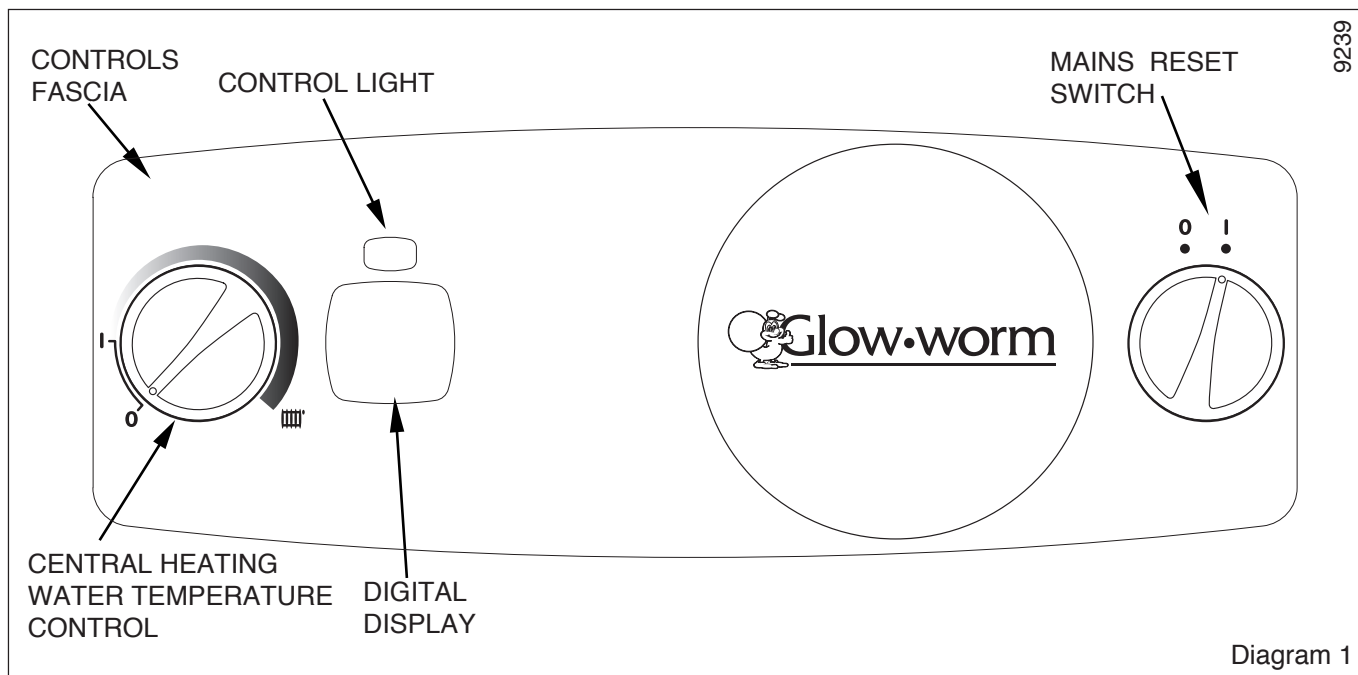
### Spare Parts

Remember, when replacing a part on this appliance, use only spare parts that you can be assured conform to the safety and performance specification that we require. Do not use reconditioned or copy parts that have not been clearly authorised by Glow-worm.

If a part is required contact Glow-worm's own service organisation using the telephone number on the inside front cover of this booklet.

Please quote the name of the appliance, this information will be on the name badge on the front of the appliance.

If in doubt seek advice from the local gas company or Glow-worm's own service organisation using the telephone number on the inside front cover of this booklet.



## OPERATION OF THE BOILER

1. Check that all isolating valves on the boiler are open and that water flows from the hot water tap.
2. If you are in any doubt about the boiler being filled with water contact your installer or Glow-worm's own service organisation using the telephone number on the inside front cover of this booklet. **Do not operate the boiler without water.**
3. Check that the electrical supply to the boiler is ON and set any remote controls as required.
4. With the Central Heating Water Temperature Control in its "OFF" (0) position, turn the Mains Reset Switch to the ON (1) position, the running lamp will initially illuminate (green) then go off, the system pressure will be displayed and should read on the digital display, at least 0.7bar (recommended 1.0bar), if less you MUST contact your installation / servicing company.

## USER CONTROLS

### CENTRAL HEATING CONTROL

1. Turn the central heating water temperature control "ON", the lighting sequence will begin, the running lamp will illuminate (green) to indicate the boiler has lit, the system temperature will now be displayed instead of system pressure.

The temperature of the central heating water can be adjusted by turning the central heating water temperature control to desired setting between 1 'Min' and 'Max'. Maximum setting is approximately 82°C.

Set the control to '0' to switch off heating.

If the boiler fails to light, reset the controls, see paragraph below, **TO RESET**

If a fault occurs the running lamp will flash red and a fault code will appear on the digital display.

### TO RESET

2. Turn the Mains Reset Switch to 0, wait for 5 seconds, turn Mains Reset Switch to 1, the boiler is reset.

If the fault persists contact your installer/service provider using the telephone number on the inside front cover of this booklet.

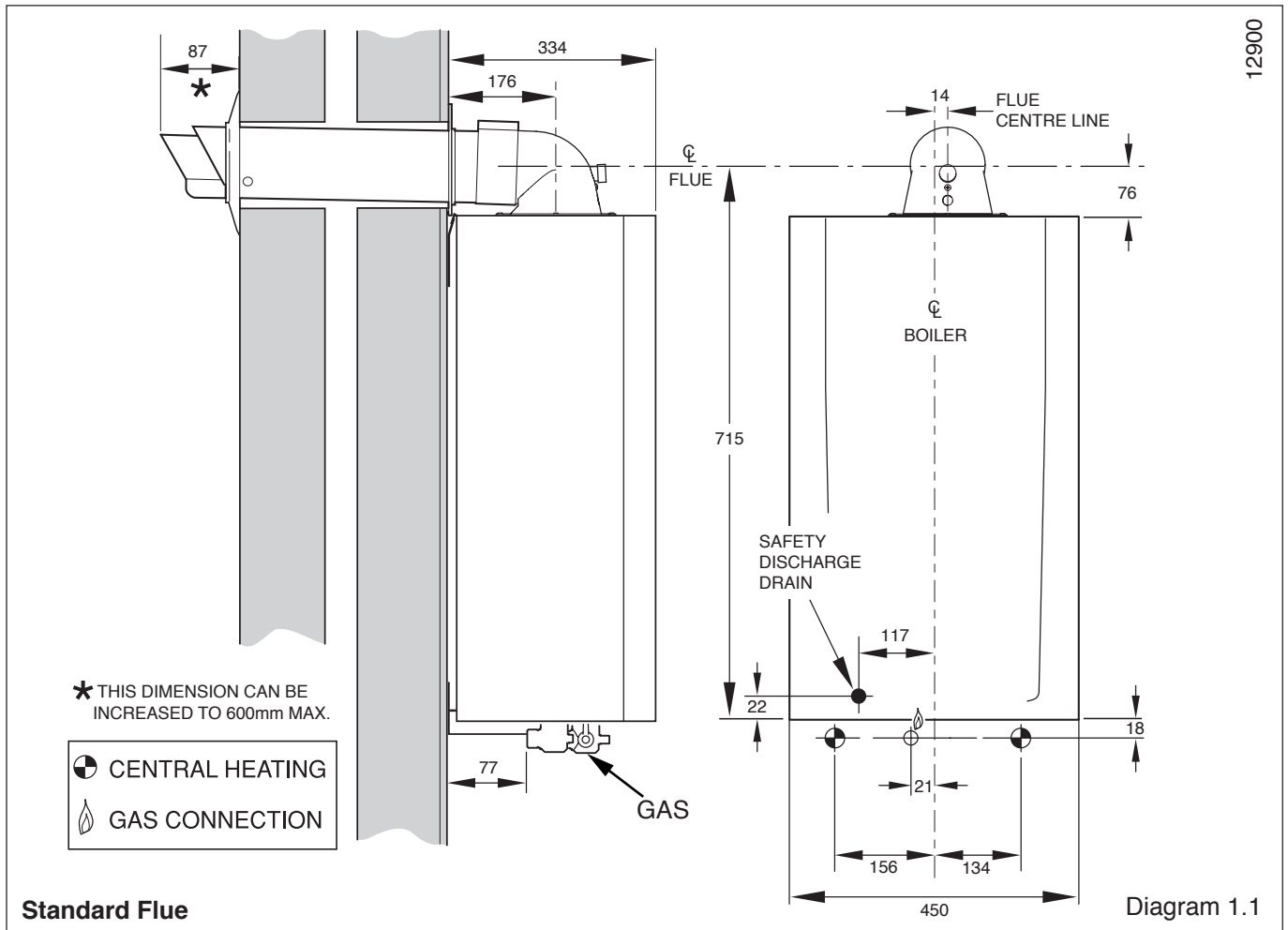
### TO TURN THE BOILER OFF

3. Turn the Mains Reset Switch to the OFF (0) position.

Turn the gas supply OFF at the gas service cock if the boiler is to be out of use for some time.



# 1 Technical Information



## 1.1 IMPORTANT NOTICE

The boiler is supplied in one carton, which includes a fittings pack, pipe pack, fixing jig, condense pipe, and documentation pack, see diagram 6.1 and 6.1a.

The flue is supplied separately.

This boiler is for use only on **G20 natural gas**, but the 30sxi may be converted for use on G31 gas (Propane L.P.G.).

Where no British Standards exists, materials and equipment should be fit for their purpose and of suitable quality and workmanship.

Refer to Manual Handling Operations, 1992 Regulations.

The installation of this boiler must be carried out by a **competent person** in accordance with the rules in force in the countries of destination.

Manufacturer's instructions must not be taken as overriding statutory requirements.

## 1.2 Statutory Requirements

In GB the installation of the boiler must be carried out by a competent person as described in the following regulations:

The manufacturer's instructions supplied.

The Gas Safety (Installation and Use) Regulations.

The appropriate Buildings Regulations either The Building Regulations, The Building Regulations (Scotland), The Building Regulations (Northern Ireland).

The Water Fittings Regulations or Water byelaws in Scotland.

The Health and Safety at Work Act, Control of Substances Hazardous to Health (COSHH).

The Current I.E.E. Wiring Regulations.

Where no specific instructions are given, reference should be made to the relevant British Standard Code of Practice.

In IE, the installation must be carried out by a competent person and installed in accordance with the current edition of I.S.813 "Domestic Gas Installations", the current Building Regulations and reference should be made to the current ETCl rules for Electrical Installation.

In GB the following Codes of Practice apply:

BS4814, BS6798, BS5440 Part 1 and 2, BS5546 Part 1, BS5449, BS6891, BS6700, BS7074 Part 1 and 2, BS7593, BS7671.

In IE: I.S.813, BS5546, BS 5449, BS 7074, BS 7593.

Manufacturer's instructions must not be taken as overriding statutory requirements.

**NOTE:** For further information, see the current issue of the Building Regulations, approved document L1 ( in the UK) and the following current issues of:

- 1) Central heating system specification (CheSS) and
- 2) Controls for domestic central heating system and hot water. BRECSU.

## Certification

This boiler certificated to the current issue of EN 483 for performance and safety.

It is important that no alteration is made to the boiler, without permission, in writing, from Glow-worm.

Any alteration that is not approved by Glow-worm, could invalidate the warranty and could also infringe the current issue of the Statutory Requirements.

# 1 Technical Information

## 1.3 Gas Supply

The gas installation must be in accordance with the relevant standards.

In GB this is BS6891.

In IE this is the current edition of I.S.813 "Domestic Gas Installations".

The supply from the governed meter must be of adequate size to provide a steady inlet working pressure of 20mbar (8in wg) at the boiler.

On completion, test the gas installation for soundness using the pressure drop method and suitable leak detection fluid, purge in accordance with the above standard.

## 1.4 Technical Data

All dimensions are given in millimetres (except as noted).

Refer to diagrams 1.1, 1.3 and Tables 1 and 2.

The data label is positioned on the inner door, refer to diagram 1.2.

The Seasonal Efficiency Domestic Boilers UK (SEDBUK) is: 18 and 30 sxi: Class 'A'.

The value is used in the UK Government's Standard Assessment Procedure (SAP) for energy rating of dwellings. The test data from which it has been calculated has been certified by B.S.I.

## 1.5 Condensation Drain

A plastic drain pipe must be fitted to allow discharge of condensate to a drain.

Condensate should, if possible, be discharged into the internal household draining system. If this is not practical, discharge can be made externally into the household drainage system or a purpose designed soak away, see section 8.2 for more details.

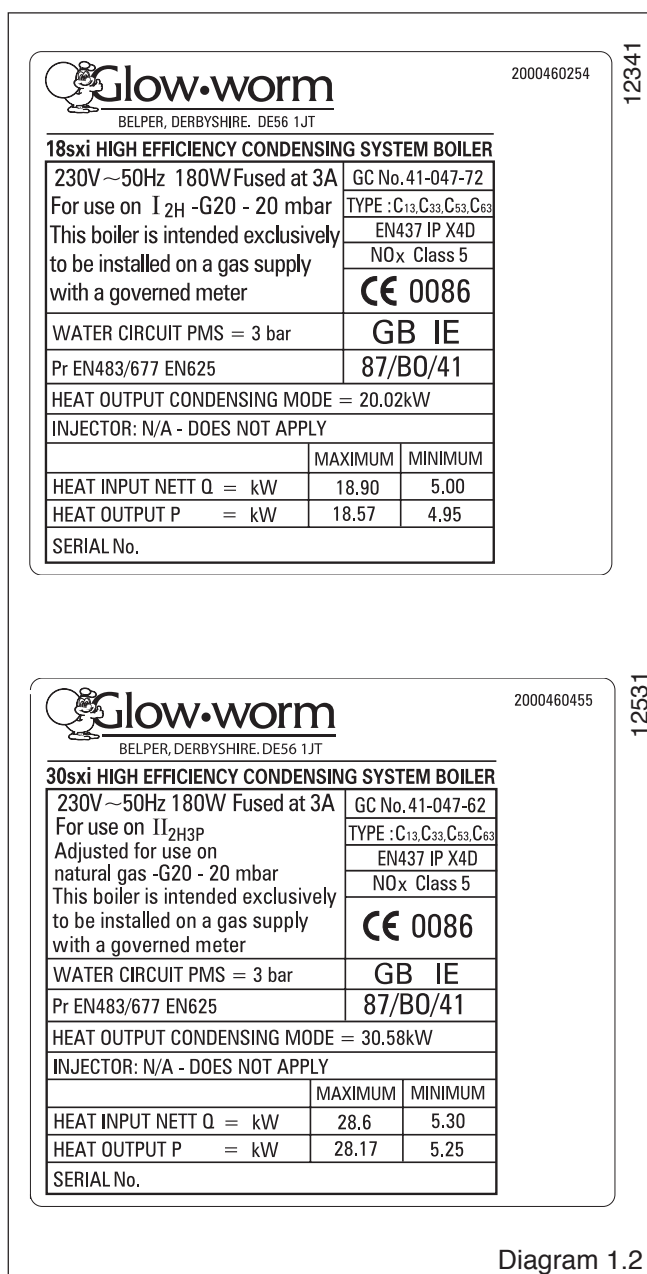
## 1.6 Upward Piping Kits

Where the heating flow and return pipes come from above the boiler a upward piping kit is available,

Central Heating Kit Pt. No. A2051000.

Contact Glow-worm for further details.

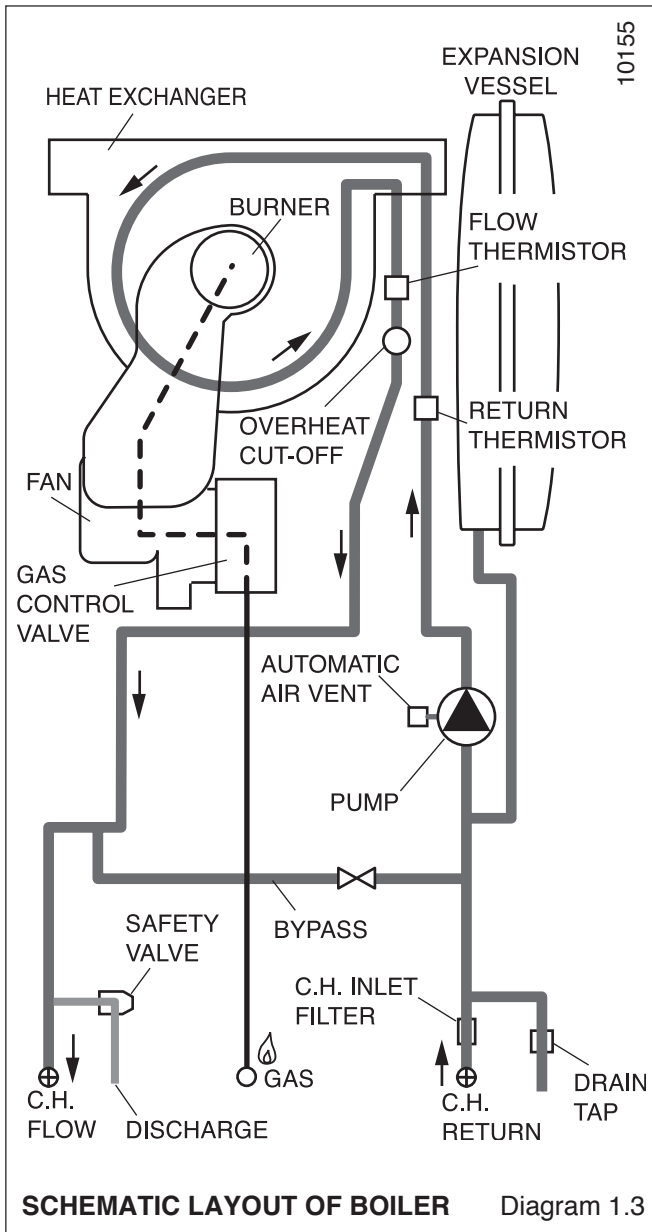
Do not route any pipes behind the boiler, unless a vertical plumbing kit is used or the pipes are "chased" into the wall.



# 1 Technical Information

**TABLE 1**

Total Weight	18sxi 41kg (90lb) 30sxi 44.5kg (98lb)
● Gas connection	22mm copper
● Water connection	22mm copper
Safety valve	Preset 3bar (43.5lbf/in <sup>2</sup> )
Safety valve discharge	15mm copper
■ Expansion vessel capacity	8 litres (1.76 gallons)
Charge pressure	0.5bar (7.3lbf/in <sup>2</sup> )
<b>System min. pressure</b>	0.7bar (10.1lbf/in <sup>2</sup> )
■ Maximum system content using fitted expansion vessel	130 litres (28.6 gallons) at 75°C average system temperature
Electrical supply	230V~50Hz
Electrical rating	180W fused 3A
IP classification	X4D
Internal Fuse rating On PCB	630mA
● Ball valves are fitted in water and gas connections.	
■ For larger systems use an additional expansion vessel.	



**TABLE 2**

18sxi			
<b>BURNER</b>	Case Off	9.1 +0.2 -0.5	
	Case On	9.3 +0.3 -0.5	
<b>APPROXIMATE GAS RATE</b> (after 10 mins. from cold)		<b>MIN</b>	<b>MAX</b>
		<b>0.53</b>	<b>2.00</b>
		<b>18.7</b>	<b>71</b>
30sxi			
<b>BURNER</b>	Case Off	9.1 +0.2 -0.5	
	Case On	9.3 +0.3 -0.5	
<b>APPROXIMATE GAS RATE</b> (after 10 mins. from cold)		<b>MIN</b>	<b>MAX</b>
		<b>0.53</b>	<b>3.0</b>
		<b>18.7</b>	<b>107</b>

## 2 Boiler Location and Ventilation

### 2.1 Location

This boiler is not suitable for outdoor installation.

This boiler may be installed in any room, although particular attention is drawn to the installation of a boiler in a room containing a bath or shower where reference must be made to the relevant requirements.

This boiler is suitable for installation in bathroom zones 2 and 3.

In GB this is the current I.E.E. WIRING REGULATIONS and BUILDING REGULATIONS.

In IE reference should be made to the current edition of I.S.813 "Domestic Gas Installations" and the current ETCI rules.

The boiler must be mounted on a flat wall, which is sufficiently robust to take its total weight, see Table 1.

### 2.2 Clearances

The boiler should be positioned so that at least the minimum operational and servicing clearances are provided, see diagram 2.1.

Additional clearances may be beneficial around the boiler for installation and servicing.

For flue installations where external access is not practicable, consideration should be given for the space required to insert the flue internally, which may necessitate clearance larger than those specified in diagram 2.1.

### 2.4 Timber Frame Buildings

If the boiler is to be installed in a timber frame building it should be fitted in accordance with the Institute of Gas Engineers document IGE/UP/7/1998 and BG Operational Procedures, Part 19 Building and Kitchen Work, Section 7 - Timber Frame Constructions. If in doubt seek advice from the local gas undertaking or Glow-worm.

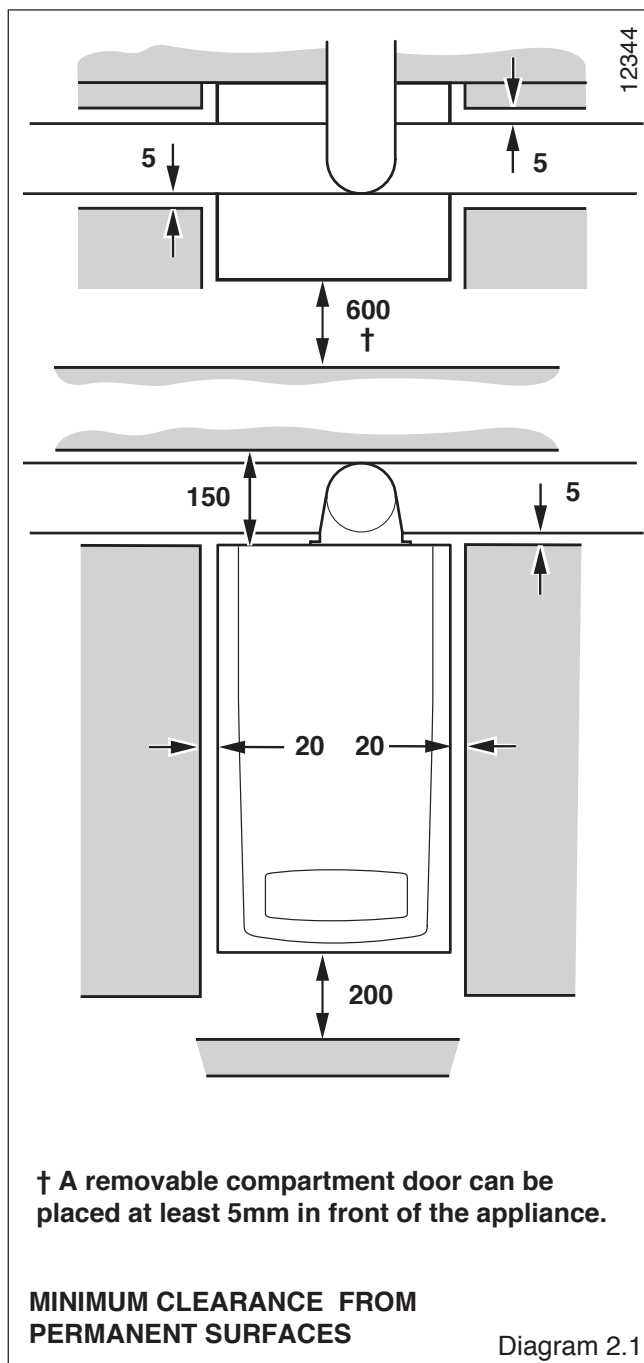
### 2.5 Room Ventilation

The boiler is room sealed, so when it is installed in a room or space, a permanent air vent is not required.

### 2.6 Cupboard or Compartment Ventilation

Due to the high efficiency and hence low casing temperature of this boiler, cupboard or compartment ventilation is not necessary.

Leave existing air vents.



# 3 Flue Location and Ventilation

## 3.1 Flue Options

This boiler is suitable for concentric Horizontal and Vertical flues, elevated horizontal and vertical twin, all are fitted onto the top of the boiler.

The Glow-worm Flue Options Guide, available on request or through the web site, describes in detail the necessary accessories.

These instructions describe the use of the standard and telescopic horizontal flues.

The instructions for all other flues will be contained in those packs.

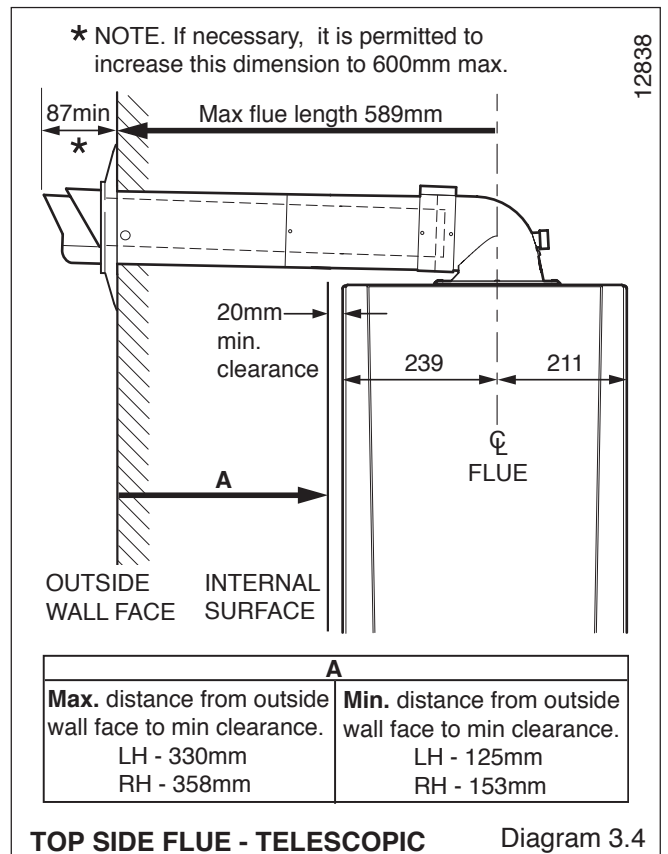
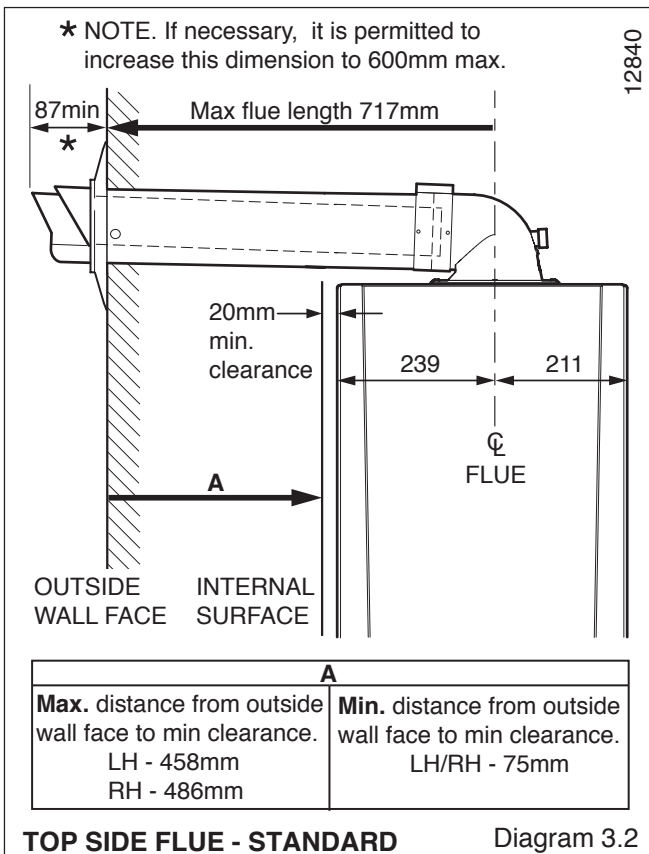
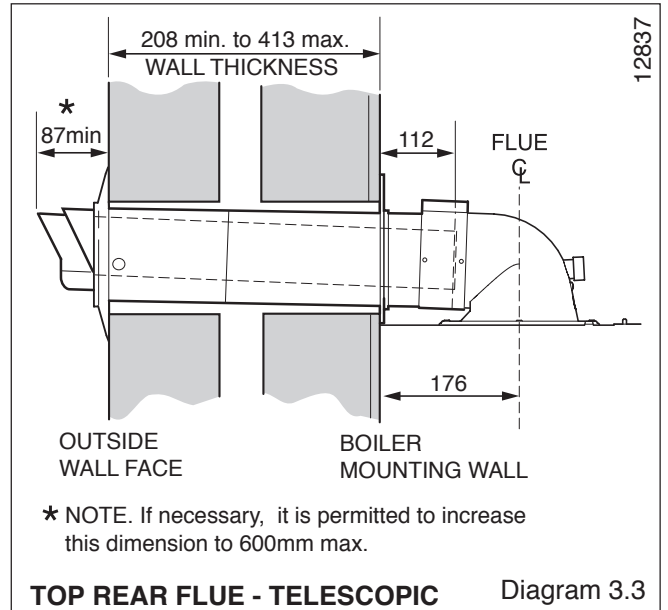
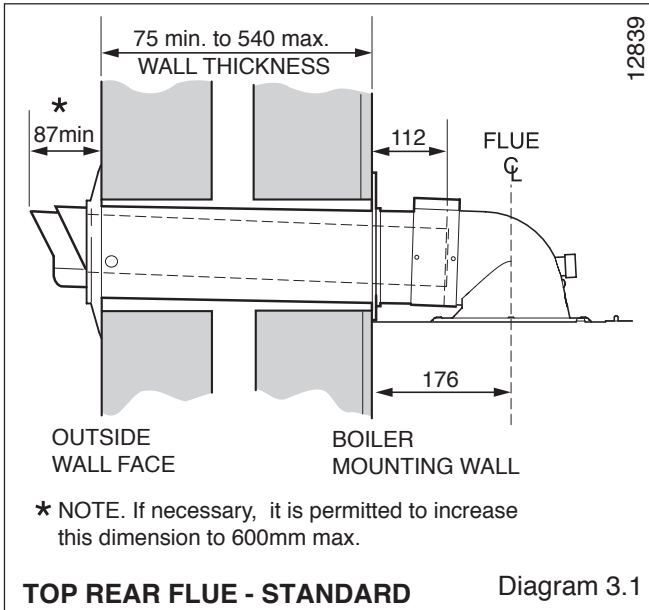
## 3.2 Flue Length

The maximum permissible horizontal flue length is 10 metres plus the flue terminal, this can be achieved by use of the accessories, however should an additional 90° or 2 x 45° elbows be used then the length MUST be reduced by 1 metre.

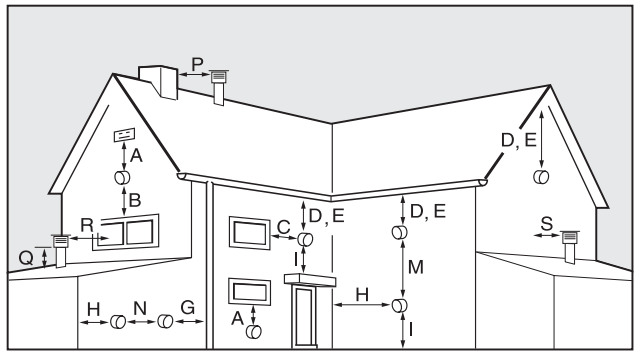
When extension pipes are used the flue system must be designed to have a continuous fall to the boiler of at least 2.5° 44mm/metre to allow condensate to run back into the boiler and out via the drain.

The flue can be installed from inside the building, when access to the outside wall face is not practicable.

The diagrams 3.1 to 3.4 describe the lengths achievable without the use of extensions or elbows.



## 3 Flue Location and Ventilation



UNDER CAR PORT etc.

111508

**MINIMUM SITING DIMENSIONS FOR FANNED FLUE TERMINALS POSITION** **MM**

<b>HORIZONTAL FLUES</b>	
A DIRECTLY BELOW AN OPENING, AIR BRICK, OPENING WINDOWS	300
B ABOVE AN OPENING, AIR BRICK, OPENING WINDOWS	300
C HORIZONTALLY TO AN OPENING, AIR BRICK, OPENING WINDOWS	300
D BELOW GUTTER, DRAIN/SOIL PIPE	25
E BELOW EAVES	25
F BELOW A BALCONY OR CAR PORT	25
G FROM VERTICAL DRAIN PIPES AND SOIL PIPES	25
H FROM INTERNAL/EXTERNAL CORNERS	25
H* TO A BOUNDARY ALONGSIDE THE TERMINAL	300
I ABOVE ADJACENT GROUND OR BALCONY LEVEL	300
J* FROM SURFACE OR A BOUNDARY FACING THE TERMINAL	600
K FACING TERMINALS	1200
L FROM OPENING (DOOR/WINDOW) IN CAR PORT INTO DWELLING	1200
M VERTICAL FROM A TERMINAL	1500
N HORIZONTALLY FROM A TERMINAL	300
<b>VERTICAL FLUES</b>	
P FROM ANOTHER TERMINAL	600
Q ABOVE ROOF LEVEL	300
R FROM ADJACENT OPENING WINDOW	1000
S FROM ADJACENT WALL TO FLUE	300

Diagram 3.5

### 3.4 Terminal Position

The minimum acceptable siting dimensions for the terminal from obstructions, other terminals and ventilation openings are shown in diagram 3.5. For Ireland the minimum distances for flue terminal positioning must be those detailed in I.S.813 "Domestic Gas Installations".

The terminal must be exposed to the external air, allowing free passage of air across it at all times.

Being a condensing boiler some plumbing may occur from the flue outlet. This should be taken into consideration when selecting the position for the terminal.

**H\*** and **J\*** See diagram 3.5. These dimensions comply with the building regulations, but they may need to be increased to avoid wall staining and nuisance from plumbing depending on site conditions.

Increased siting flexibility can be achieved by using the Glow-worm Plume Management Kit, A2044000 (black) or A2044100 (white).

**NOTE:** If necessary it is permitted to increase the terminal protrusion through the outside wall to greater than the minimum dimension of 87mm but no more than 600mm, see diagram 1. 1.

Carports or similar extensions of a roof only, or a roof and one wall, require special consideration with respect to any openings, doors, vents or windows under the roof. Care is required to protect the roof if made of plastic sheeting. If the carport comprises of a roof and two or more walls, seek advice from the local gas supply company before installing the boiler.

### 3.5 Terminal Guard

A terminal guard is required if persons could come into contact with the terminal or the terminal could be subject to damage.

In a terminal guard is required, it must be positioned to provide minimum of 50mm clearance from any part of the terminal and be central over the terminal.

The guard should be similar to that shown in diagram 3.6.

A suitable guard is manufactured by:

Tower Flue Components  
 Morley Rd.  
 Tonbridge  
 Kent  
 TN9 1RA  
 Size: 280 x 280 x 270mm.

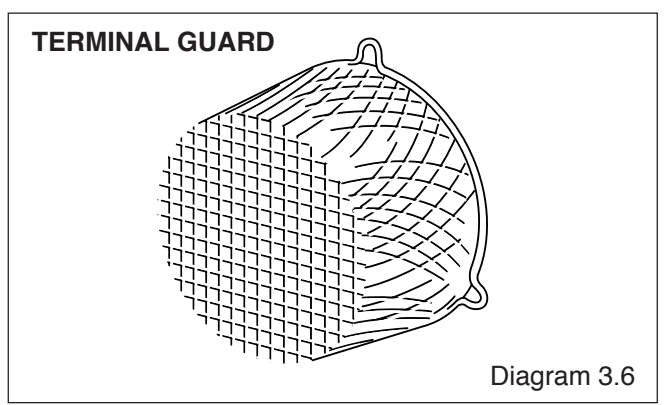


Diagram 3.6



## 4 Heating System

### 4.1 General

The boiler is for use only with sealed central heating systems.

The safety valve is an integral part of the boiler and it cannot be adjusted.

The digital read-out on the controls fascia indicates the system pressure when there is no demand.

The circulation pump is integral with the boiler.

### 4.2 Expansion Vessel

The boiler has an integral expansion vessel with a capacity of 8 litres (1.76 gallons), with a change pressure of 0.5bar.

**NOTE:** The expansion vessel volume depends on the total water system volume and the initial system design pressure. To check if an additional expansion vessel is required, an accurate calculation of vessel size is given in the current issue of BS5449 and BS7074 Part 1, for IE refer to the current edition of I.S.813 "Domestic Gas Installations".

### 4.3 Flow Rate

The flow rate through the boiler must not be allowed to fall below that given in Table 3.

The system can be fitted with a lockable balancing valve if necessary in the main flow or return pipes shown as valve "A" in diagram 4.1.

### 4.4 Bypass

The boiler is fitted with an adjustable automatic bypass. Ensure that under no circumstances does the flow rate drop below the figure specified, refer to table 3 and section 11.6.

The installation of the boiler must comply with the requirements of the current issue of BS6798, in Ireland, refer also to the current edition of I.S.813 "Domestic Gas Installations".

In GB it is necessary to comply with the Water Supply (Water Fittings) Regulations 1999 (for Scotland, the Water Byelaws 2000, Scotland).

To comply with the Water regulations your attention is drawn to: The Water Regulations guide published by the Water Regulations Advisory Service (WRAS) gives full details of the requirements.

In IE the requirements given in the current edition of I.S.813 "Domestic Gas Installations" and the current Building Regulations must be followed.

### 4.5 Filling the Sealed System

Provision for filling the system at low level must be made, see diagram 4.2. There must be no permanent connection to the mains water supply, even through a non-return valve.

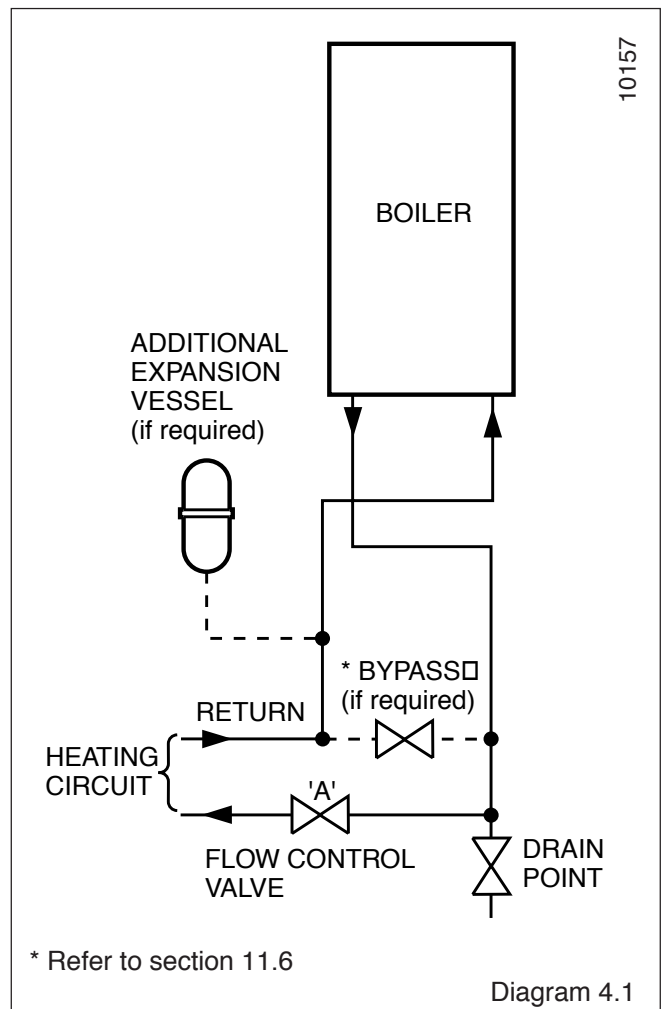
**NOTE:** It is important that fittings used for connection to potable water comply with the water undertakings requirements.

We do not recommend filling using artificially softened water.

**Table 3. Flow Rate**

MODEL	MINIMUM FLOW RATE
18sxi	774 litres/hr.
30sxi	1289 litres/hr.

This is equal to 20°C differential at maximum heat input.



## 4 Heating System

### 4.6 Water Treatment

In the case of an existing installation, it is **ESSENTIAL** that prior to installing the new boiler the system is thoroughly flushed. For optimum performance after installation of a new system, the boiler and its associated central heating system should also be flushed. Flushing should be carried out in accordance with BS7593: 1992 using a cleanser such as Sentinel X300 or X400, or Fernox restorer.

For long-term corrosion protection, after flushing, an inhibitor suitable for stainless steel exchangers should be used, refer to the current issue of BS 5449 and BS 7593 on the use of inhibitors in central heating systems. Examples are Sentinel X100 and Fernox protector.

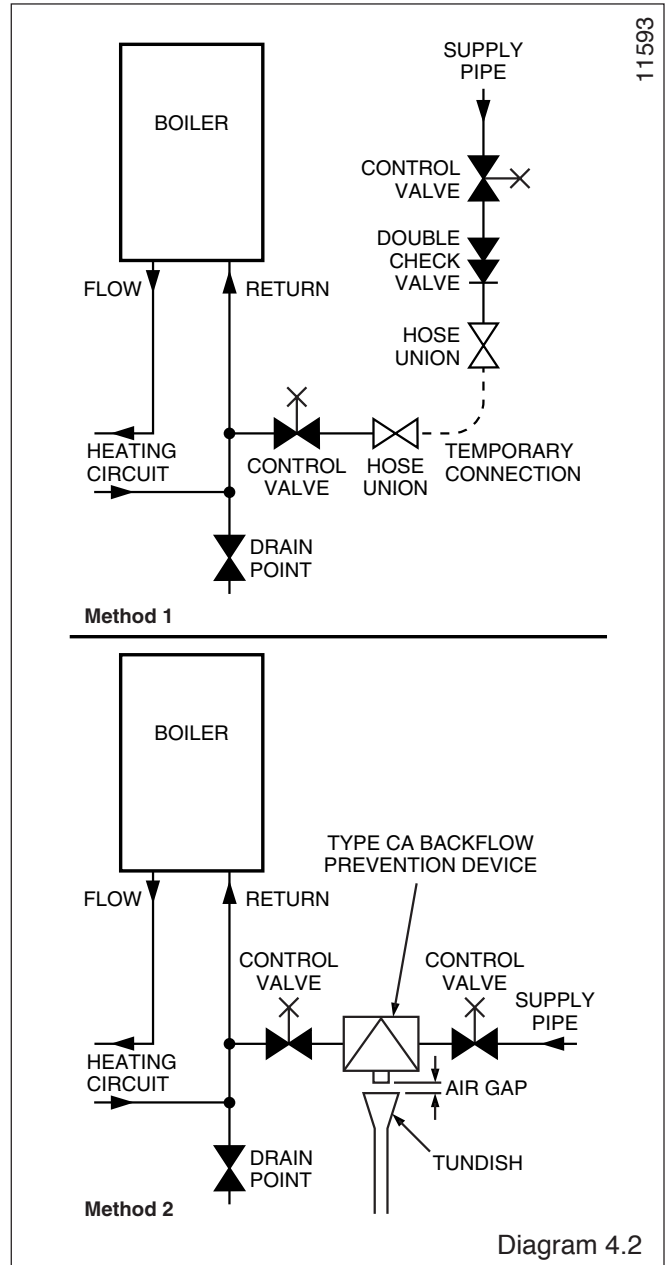
**IMPORTANT:** It is **ESSENTIAL** that the cleanser is fully removed from the system after flushing and before adding inhibitor. Take care to ensure that all low points in the system are fully drained.

For all systems follow the manufacture's instructions, but where new radiators are fitted do not leave the cleanser in the system for longer than 24 hours.

### 4.7 Draining Tap

A draining tap must be provided at the lowest points of the system, which will allow the entire system to be drained.

A drain tap for the appliance is provided as an integral part of the hydroblock, see diagram 12.9.



## 5 Domestic Hot Water System

### 5.1 General

**General** - All domestic hot water circuits, connections, fittings must be in accordance with the relevant standards and water supply regulations.

For GB: Guidance G17 to G24 and recommendation R17 to R24 of the Water Regulations Guide.

For IE: The current edition of I.S.813 "Domestic Gas Installations".

The domestic water hot service must be in accordance with the current issue of BS5546, refer also to the current issue of BS6700.

### 5.2 Domestic Hot Water Cylinder

SINGLE FEED INDIRECT CYLINDERS ARE NOT SUITABLE AND SHOULD NOT BE USED.

The domestic hot water cylinder must be of the double feed indirect coil type. It must be suitable for working at a gauge pressure of 0.35bar above the safety valve setting.

## 6 Installation Preparation

### 6.1 Appliance Pack

**IMPORTANT:** With regards to the Health and Safety Manual Handling requirements, two persons shall be required to lift the appliance, refer to manual handling on page 5.

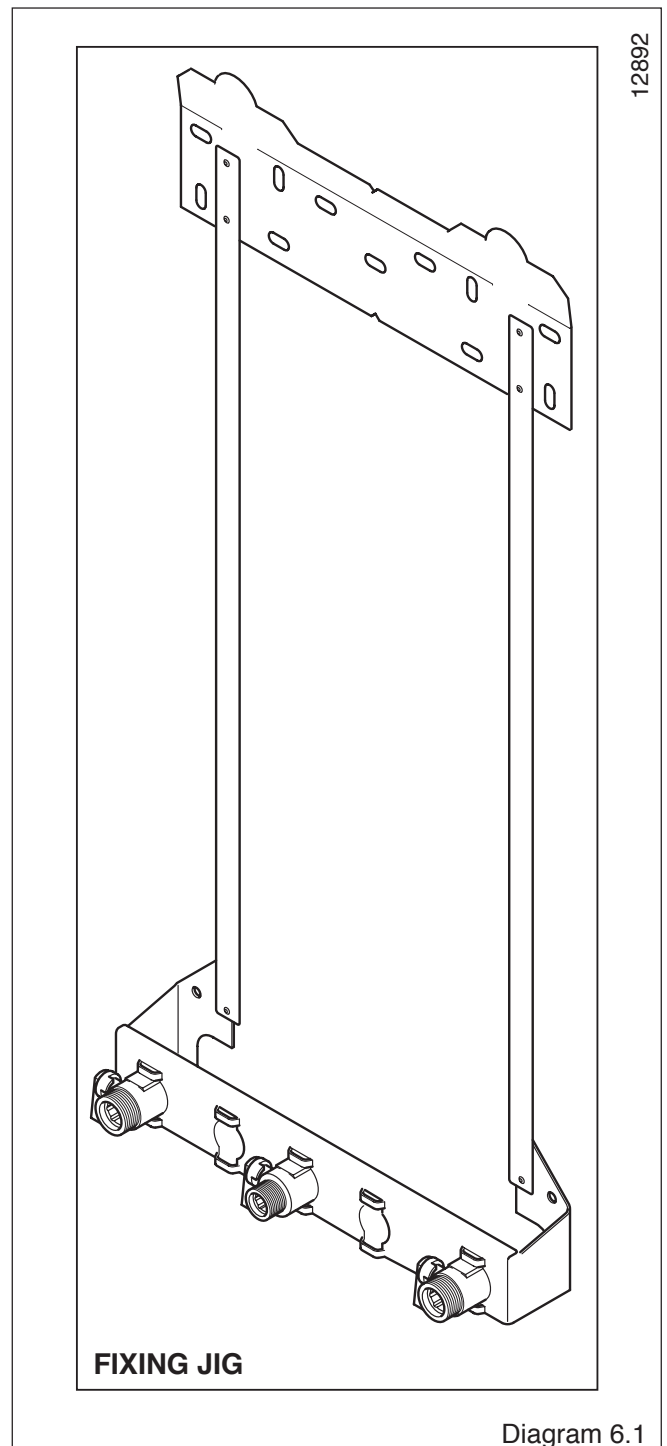
Please check the boiler carton contents as shown in diagrams 6.1 and 6.1a.

**NOTE:** The fittings pack, pipe pack and document pack are located in the polystyrene packing on the top of the boiler. The flexible condensate outlet pipe is located in the base polystyrene packing under the boiler base.

Remove the polystyrene end packing pieces then carefully lay the boiler on its back, remove the two front casing panel securing screws and lift off the panel from two retaining lugs.





Remove the transit packaging behind the front panel and discard.

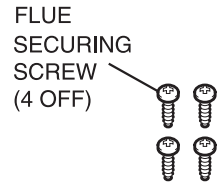
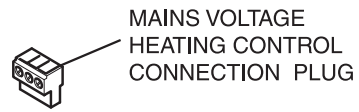
Carefully place front panel and screws to one side.



## 6 Installation Preparation

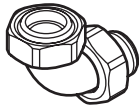
12893

	SEALING WASHER 12x18x2	1 off
	SEALING WASHER 18x23x1.5	4 off
	SEALING WASHER 14x18x1.5	3 off
	SEALING WASHER 16x24x1.5	5 off



### FITTINGS PACK

HEATING  
FLOW  
CONNECTION



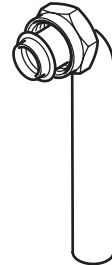
HEATING  
FLOW  
PIPE



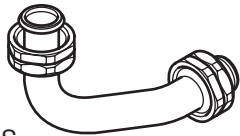
GAS  
SUPPLY  
PIPE



SAFETY  
DISCHARGE  
VALVE PIPE



GAS  
CONNECTION  
PIPE



HEATING  
RETURN  
PIPE

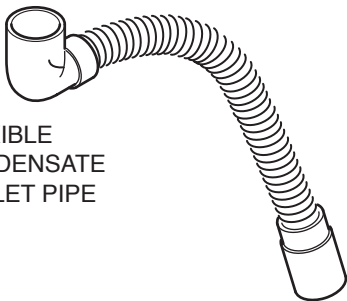


HEATING  
RETURN  
CONNECTION



### PIPE PACK

FLEXIBLE  
CONDENSATE  
OUTLET PIPE



### LOOSE ITEMS

### DOCUMENTATION PACK (Not illustrated)

Installation and Servicing Instructions  
Service Plan Leaflet  
Combi Cover Leaflet  
Wall template

Diagram 6.1a

## 6 Installation Preparation

### 6.2 Wall Template

Take the wall template from the documentation pack and place in the desired position on a flat wall, giving due consideration to boiler clearances, see section 2.2, and the flue you are fitting.

### 6.3 Flue Hole Cutting

The **standard horizontal flues** are designed with an internal fall of 44mm/metre towards the boiler for disposal of condensate. If the standard flue length alone is being used then the flue hole of diameter 105mm can be cut in the position marked on the wall template.

For **standard side flues** the horizontal flue centre line on the wall template should be extended to the side wall, and the vertical centre of the flue hole marked at 176mm from the back wall.

For installations with external access, a 105mm diameter core drill can be used.

For installations with internal access only, a 125mm diameter core should be used.

When using extension pipes with the horizontal rear flue, a core drill size of 125mm should be used to allow the extension pieces to slope at 44mm/metre (2.5°) towards the boiler.

For **extended side flues** the flue hole centre should be determined by extending the dashed inclined line on the template to the side wall. This dashed line is drawn at 44mm/metre (2.5°) rise from the boiler. Where this line reaches the side wall, a horizontal line should be marked. The vertical centre line of the flue should then be marked at 176mm from the back wall, see diagram 6.2.

To allow for the flue passing through the wall at this angle a 125mm hole should be drilled irrespective of internal or external installation.

If necessary remove the wall template whilst drilling the flue hole.

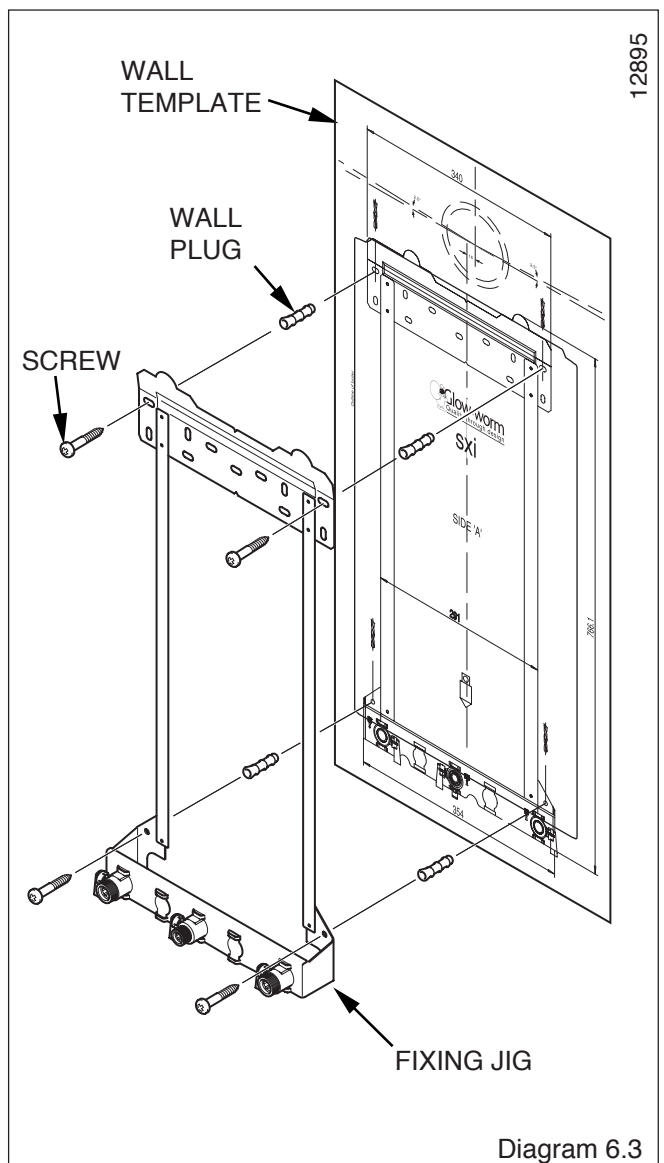
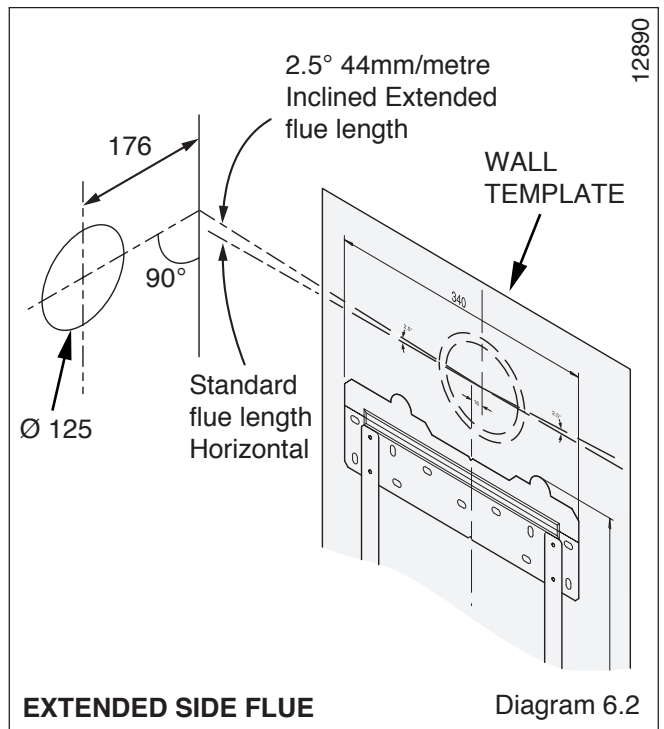
### 6.4 Fixing Jig and Hanging Bracket Fixing

Reposition the wall template over the flue hole and mark the position of the fixing holes for the fixing jig, see diagram 6.3.

Drill the required fixing holes and insert suitable wall plugs.

**NOTE:** Due to the varied site conditions we do not supply fixings and advise that the installer should supply those which are suitable.

Secure the fixing jig to the wall.



# 7 Gas/Water & Appliance Connection

## 7.1 System Connection

The system can now be connected without the boiler being mounted. All water and gas connections are on the fixing jig with the exception of the condense drain and safety discharge, the positions of these are shown on the wall template.

The gas supply pipe must be chased into the wall if routed up the back of the boiler.

A Vertical Piping Kit can be used to route the central heating or DHW pipes, see section 1.6.

Make connections to fixing jig, gas, water and heating cocks with the tube assemblies supplied in fixing pack as shown in diagram 7.1.

## 7.2 Gas Connection

The gas supply can be connected from below or through the wall at the rear of the boiler, the position is shown on the wall template.

Refer also to section 1.2.

Fit the sealing washer into the securing nut and make good the final connection to the gas service cock on the wall mounting jig, see diagram 7.1.

Do not subject the gas service cock to heat.

Make sure the on/off lever is accessible.

The whole of the gas installation, including the meter, should be inspected, tested for soundness and purged in accordance with the current issue of BS6891 and in IE the current edition of I.S.813 "Domestic Gas Installations".

## 7.3 Water Connections

Flush out the heating system before connecting to the boiler, refer to section 4.6.

Make the connections to the heating system by fitting the sealing washers into the securing nuts and make good the final connection to the isolating valves on the fixing jig, see diagram 7.1.

Do not subject the isolation valves to heat.

Make sure the drain point is accessible, refer diagram 12.9.

## 7.4 Appliance Connection

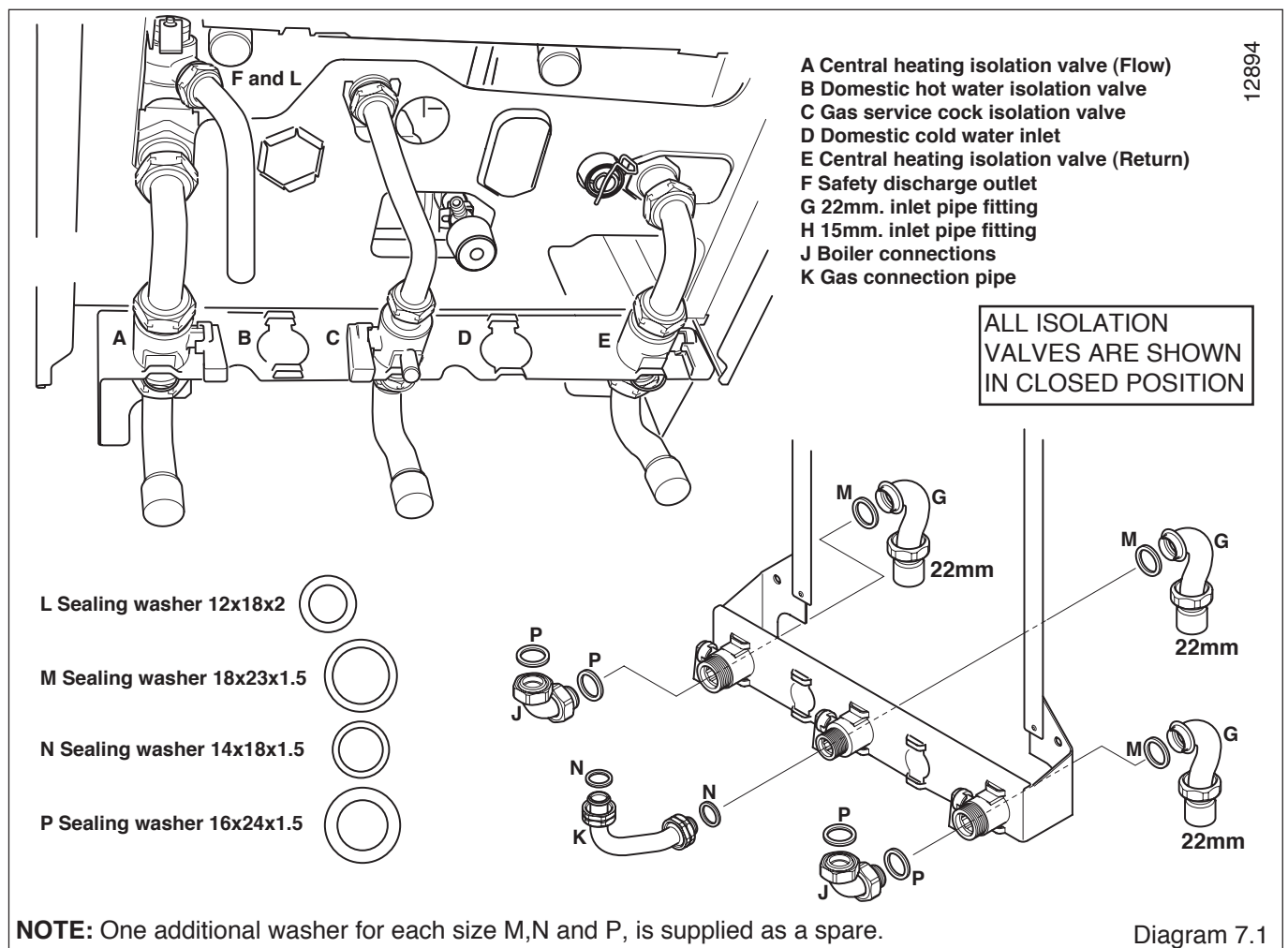
**IMPORTANT:** With regards to the Manual Handling Operations, 1992 Regulations, the following lift operation exceeds the recommended weight for a one man lift, refer to manual handling on page 5.

The appliance will contain a small amount of water, place a water container beneath the boiler connections before removing the protective caps.

Lifting the boiler into position, lean the top of the boiler slightly to the wall and position just above the hanging bracket. Lower the boiler slowly and engage onto the hanging bracket.

Position gasket/sealing washers supplied in the fittings pack, as shown in diagram 7.1.

Make good the final connections.





## 8 Safety Discharge Valve and Condensate Connections

### 8.1 Safety Discharge Valve

The pipe from the safety discharge valve must not discharge above an entrance, window or any type of public access area.

A short discharge tube is supplied loose in the wall mounting pack. This must be extended, using not less than 15mm o.d. pipe, to discharge, in a visible position, outside the building, facing downwards, preferably over a drain, see diagram 8.1.

The pipe must have a continuous fall and be routed to a position so that any discharge of water, possibly boiling, or steam, cannot create any danger to persons, damage to property or external electrical components and wiring.

To ease future servicing it is advisable to use a compression type fitting to extend the discharge pipe.

### 8.2 Condensate Drain Connection

The condensate drain connection is behind the pump at the rear of the boiler, see diagram 8.2. A flexible condensate outlet pipe is supplied loose in the base polystyrene packaging. Fit the angle connector of the flexible pipe onto the spigot. The straight connector can accommodate a drain pipe of 22mm to 25mm O.D.

The condensate should have a fall of at least 2.5° away from the boiler and if possible be discharged into the household internal drainage system. If this is not practicable, discharge can be allowed into the external household drains or a purpose designed soak-away.

It is recommended that any external condensate drain pipe is insulated or of a 32mm diameter, to prevent freezing in adverse weather conditions.

The condensate is discharged periodically in 'slugs' by siphonic action.

It is not necessary to provide air breaks or extra traps in the discharge pipe as there is already a trap inside the boiler. Fitting an extra trap may cause the boiler siphon to work incorrectly.

Refer to BS5546 or BS6798 for advice on the disposal of boiler condensate.

A range of condensate fittings are available. These cost effective easy to install condensate fittings, when used, are designed to help installers with the easy removal of condensate.

The fittings are available from Hepworth Plumbing Products and normal distribution channels.

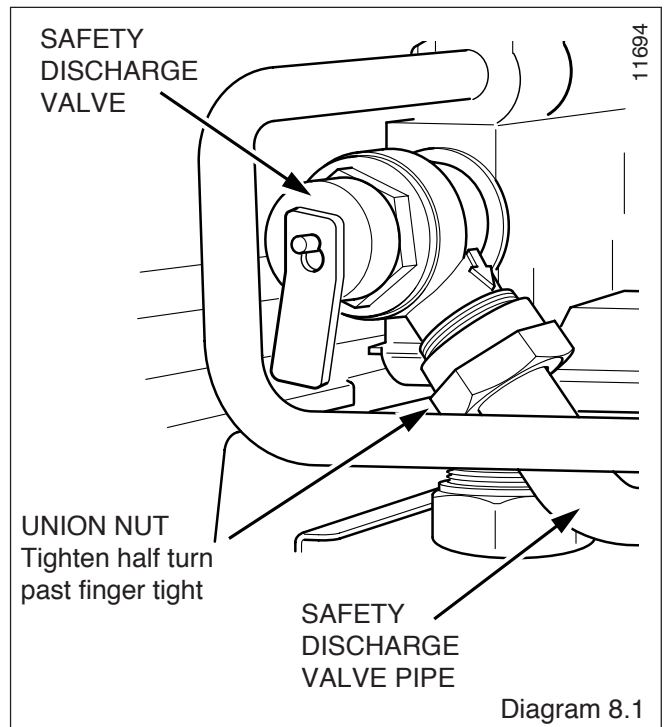


Diagram 8.1

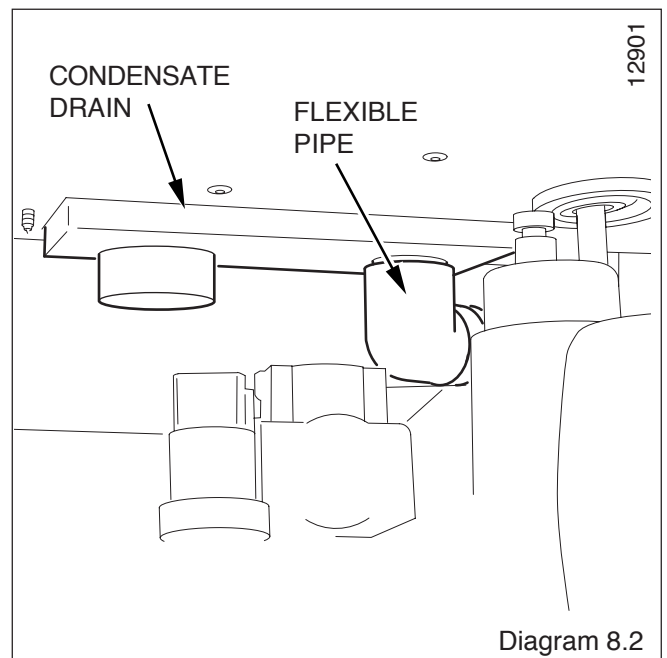


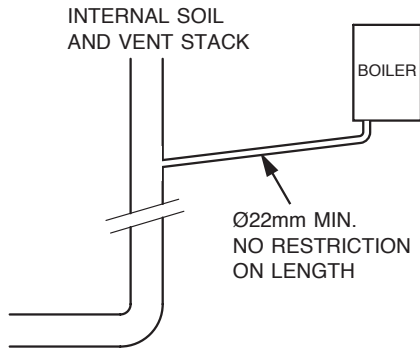
Diagram 8.2

CONDENSATE FITTINGS	
Description	Nom Dia. mm.
<b>Overflow to Waste Adaptor (A021).</b> For connection to 32mm. or 40mm Push - Fit or Solvent Weld pipe.	21.5
<b>Overflow to Rainwater Adaptor (A022).</b> For connection to round and square section downpipe.	21.5
<b>Overflow to Soil Adaptor (S117).</b> For connection to 110mm soil pipe.	32 or 21.5
<b>Overflow to Soil Adaptor (S118).</b> For connection to 110mm soil pipe.	40 or 21.5
<b>Condensate Soakaway (S951).</b>	21.5

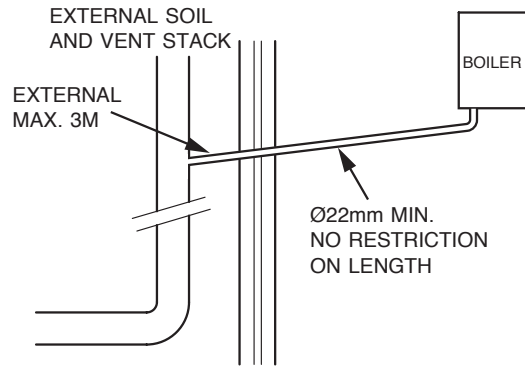
# 8 Safety Discharge Valve and Condensate Connections

## Typical Gravity Draining Condensate Installations

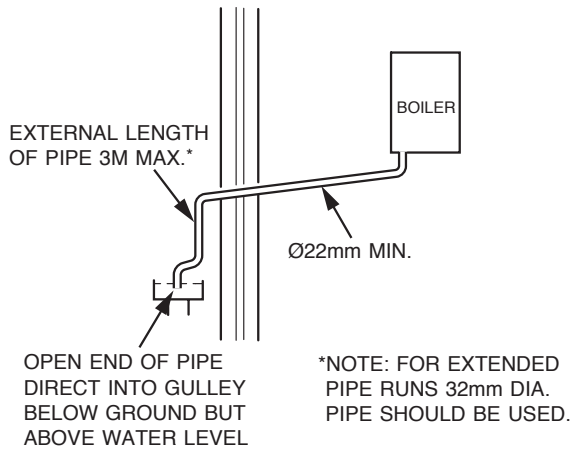
13000



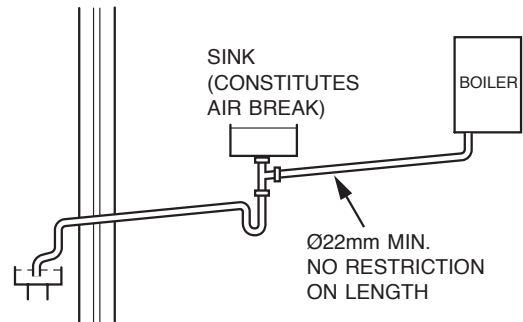
Internal Soil and Vent Pipe



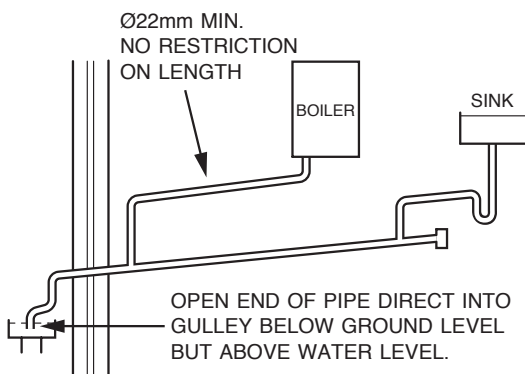
External Soil and Vent Pipe or Rainwater Pipe



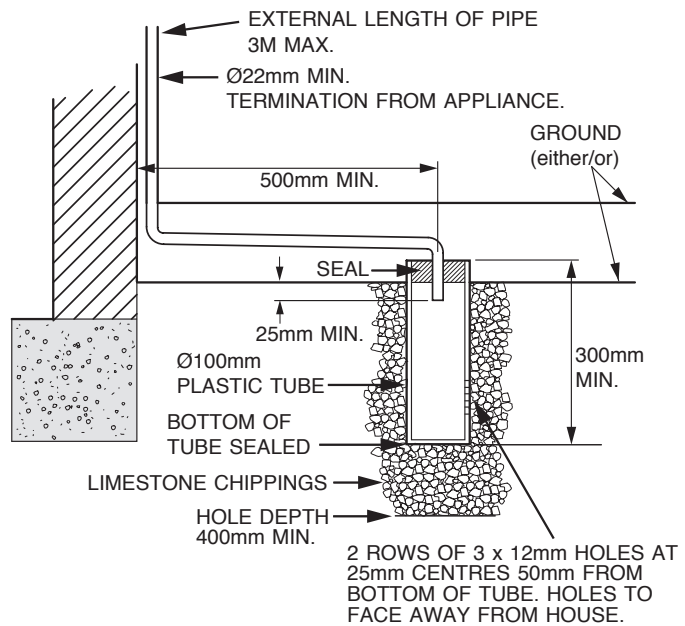
External Termination to a Gully or Hopper



Internal Termination into Combined Sink Waste



Internal Termination Downstream of Sink Waste



External Termination into Soakaway

NOTE: PIPEWORK SHOULD ALWAYS FALL AWAY FROM BOILER BY AT LEAST 2.5° 44mm FOR EVERY 1M.

Diagram 8.3

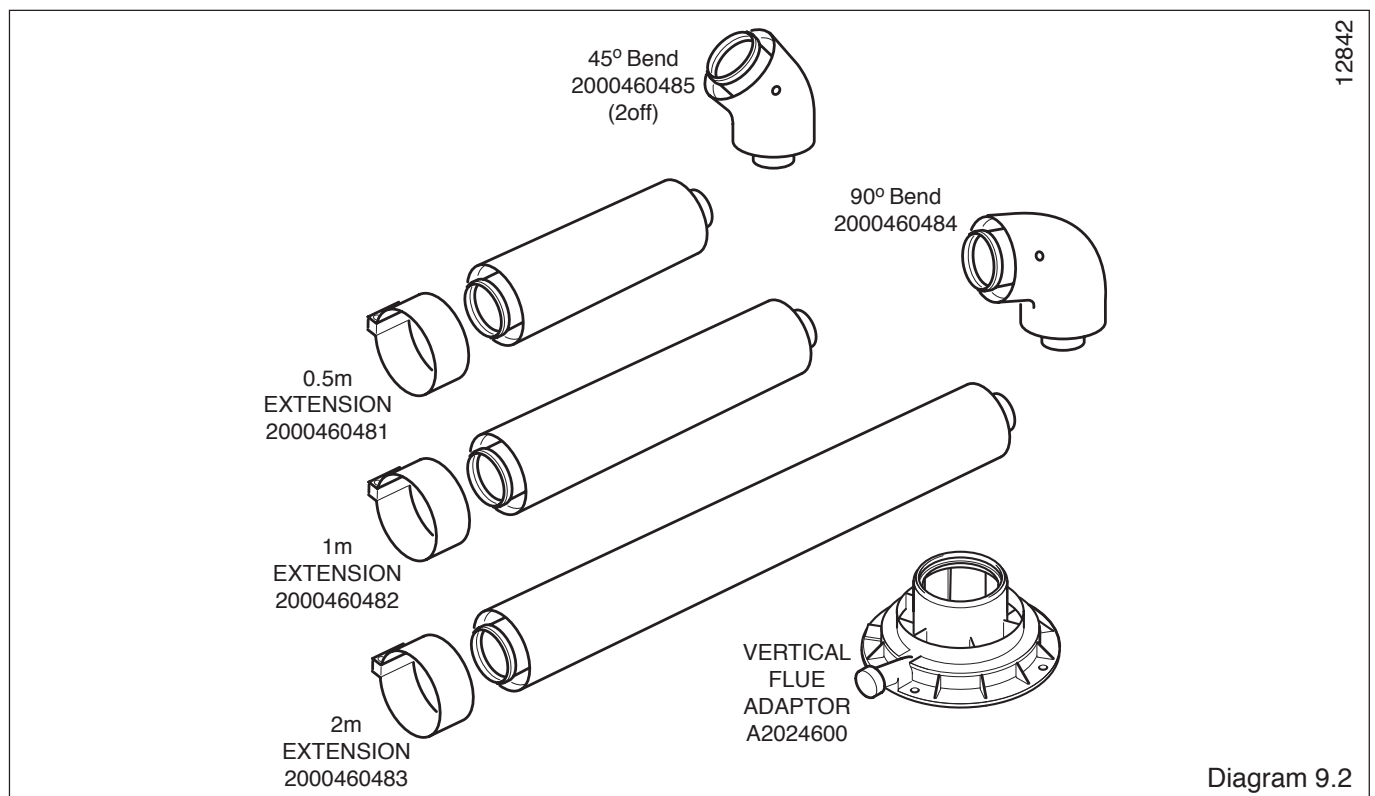
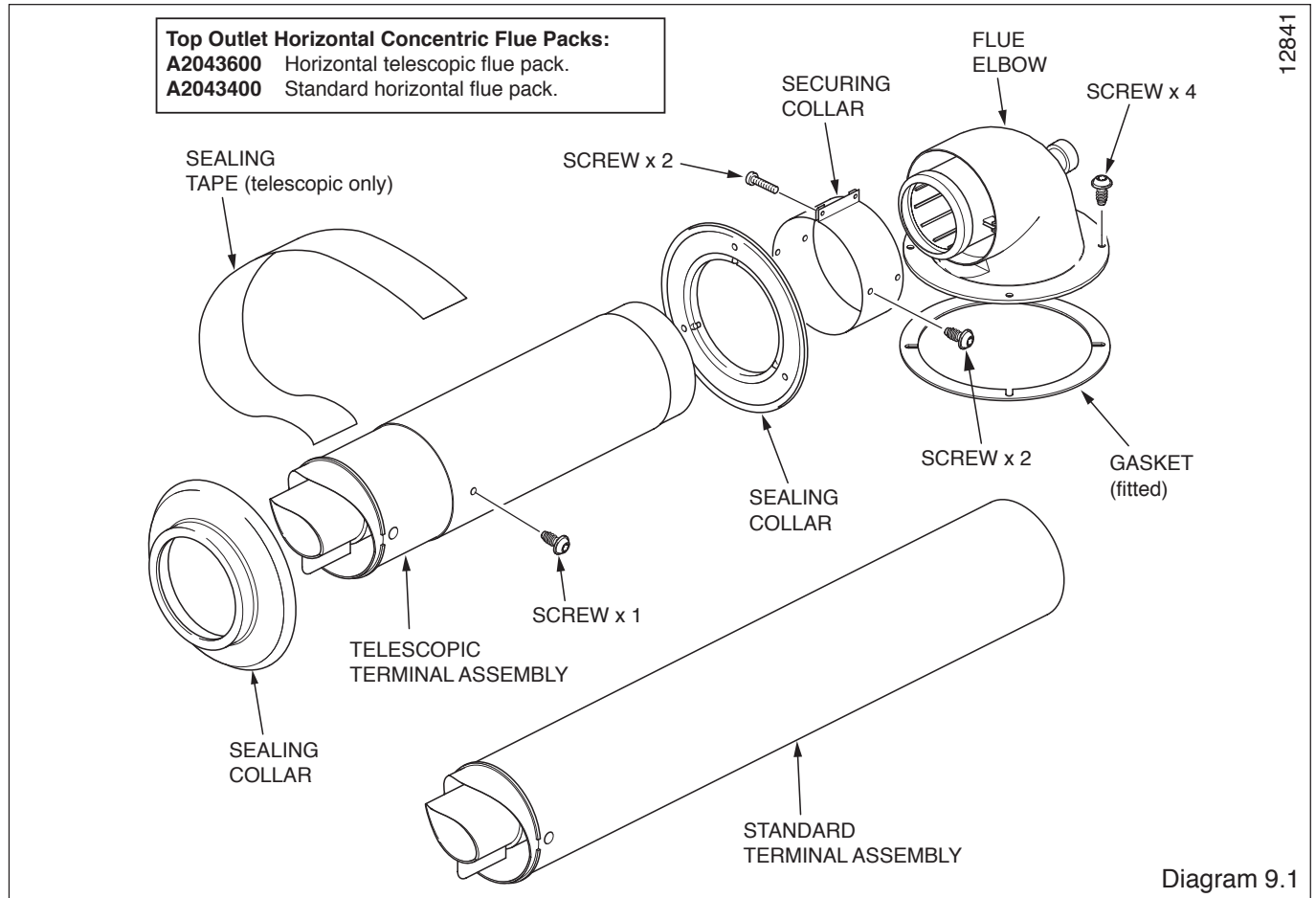
## 9 Flue Preparation Telescopic and Standard Flue

### 9.1 Flue Components

The components supplied in the Standard and Telescopic kit are shown in diagram 9.1.

Additional flue accessories are available to suit your site conditions, see diagram 9.2.

The Glow-worm Flue Options Guide, available on request or through the web site, describes in detail the necessary accessories.



## 9 Flue Preparation Telescopic and Standard Flue

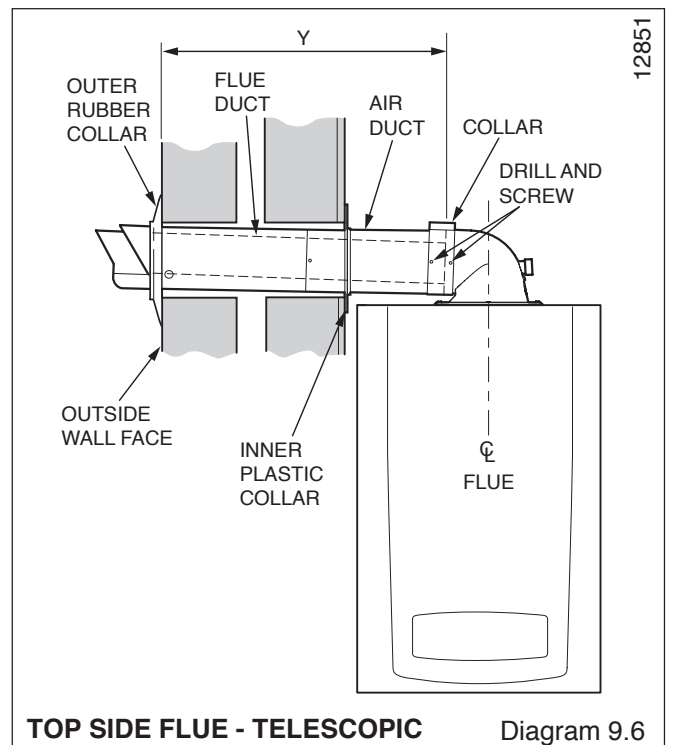
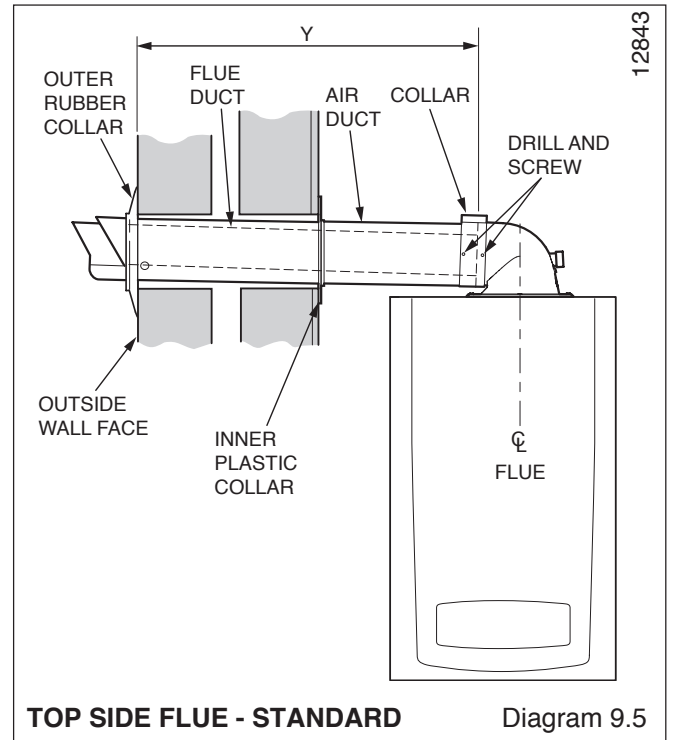
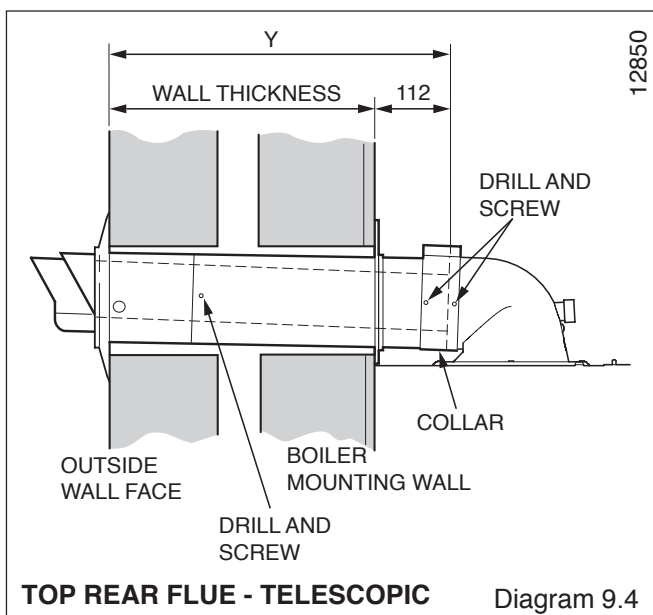
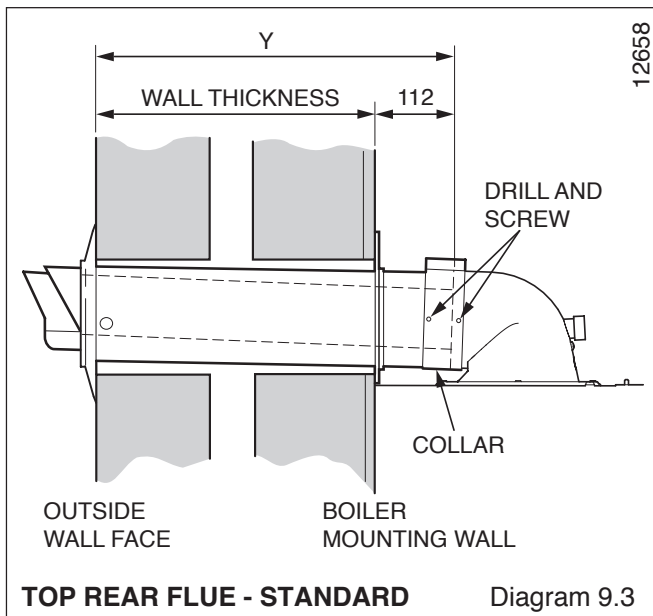
### 9.2 Flue Length

**Top Rear flue - Standard** - with the flue elbow temporarily fitted, measure the distance from the outside wall to the butt joint, see diagram 9.3. If the measurement 'Y' exceeds 652mm, then the appropriate length of extension pipe is required. The minimum dimension is 187mm to suit a 75mm min wall thickness.

**Top Rear flue - Telescopic** - with the flue elbow temporarily fitted, measure the distance from the outside wall to the butt joint, see diagram 9.4. If the measurement 'Y' exceeds 525mm, then the appropriate length of extension pipe is required, if the dimension is less than 320mm DO NOT cut the flue, it can project to a maximum of 600mm, if this is not desirable then a Standard flue MUST be used and cut to length.

**Top Side flue - Standard** - with the flue elbow temporarily fitted, measure the distance from the outside wall to the butt joint, see diagram 9.5. If the measurement 'Y' exceeds 652mm, then the appropriate length of extension pipe is required. The minimum dimension for Lhd is 270 and Rhd 242 to suit a minimum wall thickness of 75mm.

**Top Side flue - Telescopic** - with the flue elbow temporarily fitted, measure the distance from the outside wall to the butt joint, see diagram 9.6. If the measurement 'Y' exceeds 525mm, then the appropriate length of extension pipe is required, if the dimension is less than 320mm DO NOT cut the flue, it can project to a maximum of 600mm, if this is not desirable then a Standard flue MUST be used and cut to length.



## 9 Flue Preparation Telescopic and Standard Flue

### 9.2 (cont'd) Flue and Air Ducts

#### Telescopic:

The Telescopic Flue system **MUST NOT** be cut.

Adjust the flue to your required length "Y", mark the securing hole position in the air duct. Drill a 3mm diameter hole at this position, take care not to pierce the inner flue duct. Secure with screw provided and tape the joint, see diagram 9.7.

#### Standard:

Separate the flue duct from the terminal by twisting to release the terminal catch, then pull out of the retaining seal, refer to diagram 9.8.

The duct cutting lengths are shown in diagram 9.8.

The air duct should be cut at the opposite end to the terminal fixing.

The terminal plastic duct **MUST** be cut at the opposite end to the catch.

The plastic flue duct extensions **MUST** be cut at the opposite end to seal.

The cut ducts must be de-burred and all filings and debris removed.

**NOTE:** If you require to lubricate the seals to ease installation, please do not use a mineral oil based grease, we would recommend the use of water.

### 9.3 Flue Assembly

The flue assembly is a push fit design with securing collars.

Having adjusted the telescopic or cut the air and flue ducts as described in section 9.2

Assemble the flue elbow to the air duct, ensuring the correct alignment of the terminal. Fit the collar into position, mark through two of the pre drilled holes in the collar. Remove collar and drill two 3mm diameter holes in the elbow, take care not to pierce the inner flue duct.

Insert the terminal flue duct, remembering to engage the catch within the terminal, check for alignment.

Fit the rubber sealing collar behind the locating lugs on the flue terminal, see diagram 9.1.

Push the flue assembly into the wall, externally or internally, initially until the end of the assembly protrudes a short way from the inside face of the wall. This will enable the internal trim ring (if required) to be positioned and allow the flue duct to be drawn back into the flue elbow after the boiler has been mounted.

### 9.4 Flue Attachment To Boiler

Secure the flue elbow in position on top of the boiler with four torque headed screws supplied.

Draw the flue assembly from wall and engage the flue duct into the elbow and butt fit the air duct, then fit the collar and secure with screws provided, see diagram 9.9.

**NOTE:** If the air and flue ducts have been correctly cut to the instructions given in section 9.2, the rubber sealing collar should fit flush with the outside wall, check this.

Slide the internal trim ring back against the wall, securing in place with a small amount of sealant if required.

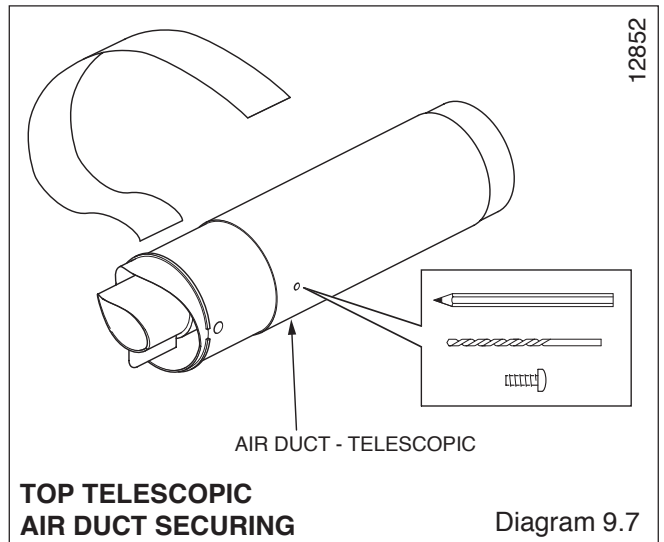
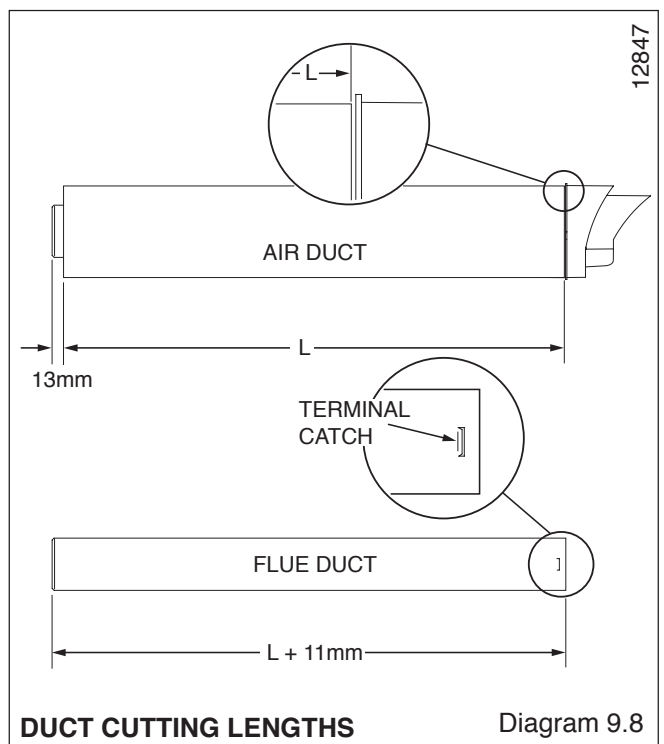


Diagram 9.7



DUCT CUTTING LENGTHS

Diagram 9.8

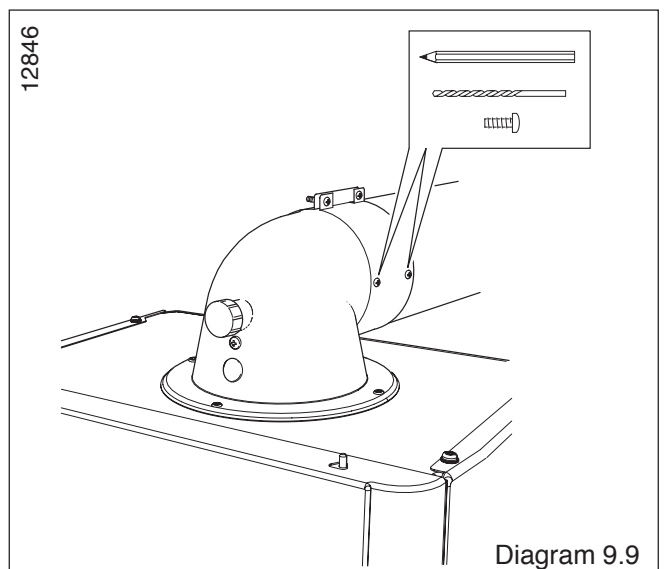


Diagram 9.9

## 10 Electrical Connections

**WARNING:** This appliance must be wired in accordance with these instructions. Any fault arising from incorrect wiring cannot be put right under the terms of the Glow-worm guarantee.

All system components must be of an approved type.

Electrical components have been tested to meet the equivalent requirements of the BEAB.

Connection of the whole electrical system and any heating system controls to the electrical supply must be through a common isolator.

Isolation should preferably be by a double pole switched fused spur box having a minimum contact separation of 3mm on each pole. The fused spur box should be readily accessible and preferably adjacent to the boiler. It should be identified as to its use.

A fused three pin plug and shuttered socket outlet may be used instead of a fused spur box provided that:

- They are not used in a room containing a fixed bath or shower.
- Both the plug and socket comply with the current issue of BS1363.

The mains electrical supply must be maintained at all times in order to provide domestic hot water.

Do not interrupt the mains supply with a time switch or programmer.

**WARNING:** UNDER NO CIRCUMSTANCES MUST ANY MAINS VOLTAGE BE APPLIED TO ANY OF THE TERMINALS ON THE VOLTAGE FREE HEATING CONTROLS CONNECTION PLUG.

### 10.1 Mains Cable

**IMPORTANT:** If a replacement supply cable is required it must be purchased. Part No. S1008600.

### 10.2 External controls (Mains Voltage)

Gain access to the 230V interface by unclipping the controls fascia and hinging forward, see diagram 10.1.

Remove the red link from the mains voltage heating controls connection plug and connect as shown in diagrams 10.2 & 10.3, then route the external control cable as shown on diagram 10.2.

Close the fascia panel and open the rear cover of control panel, see diagram 10.4.

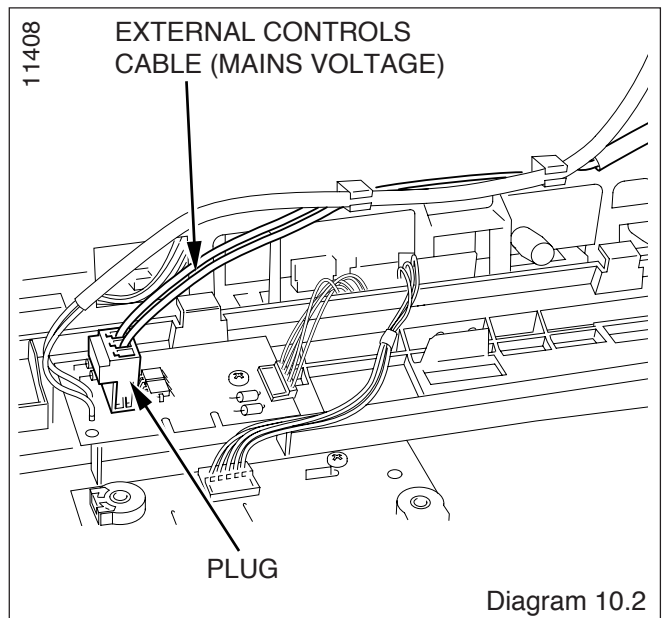
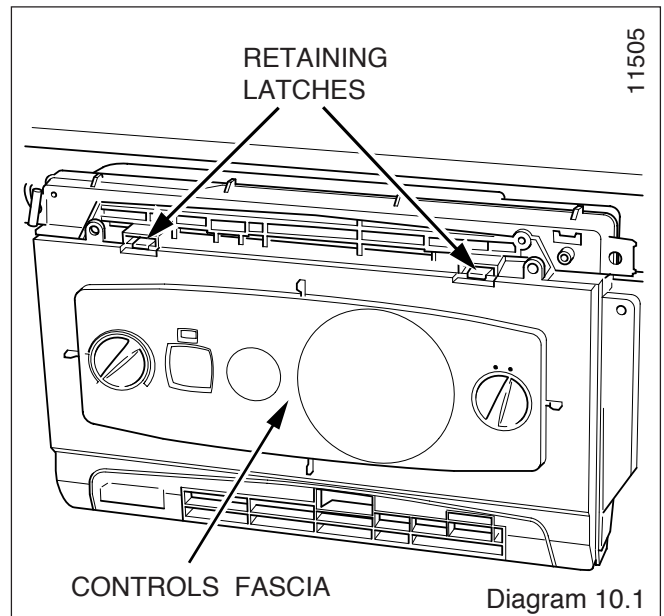
Secure the external control cable in the strain relief, see diagram 10.4.

Thread the external control cable through rear of the control panel where the other cables exit, see diagram 10.4.

Close rear cover of control panel.

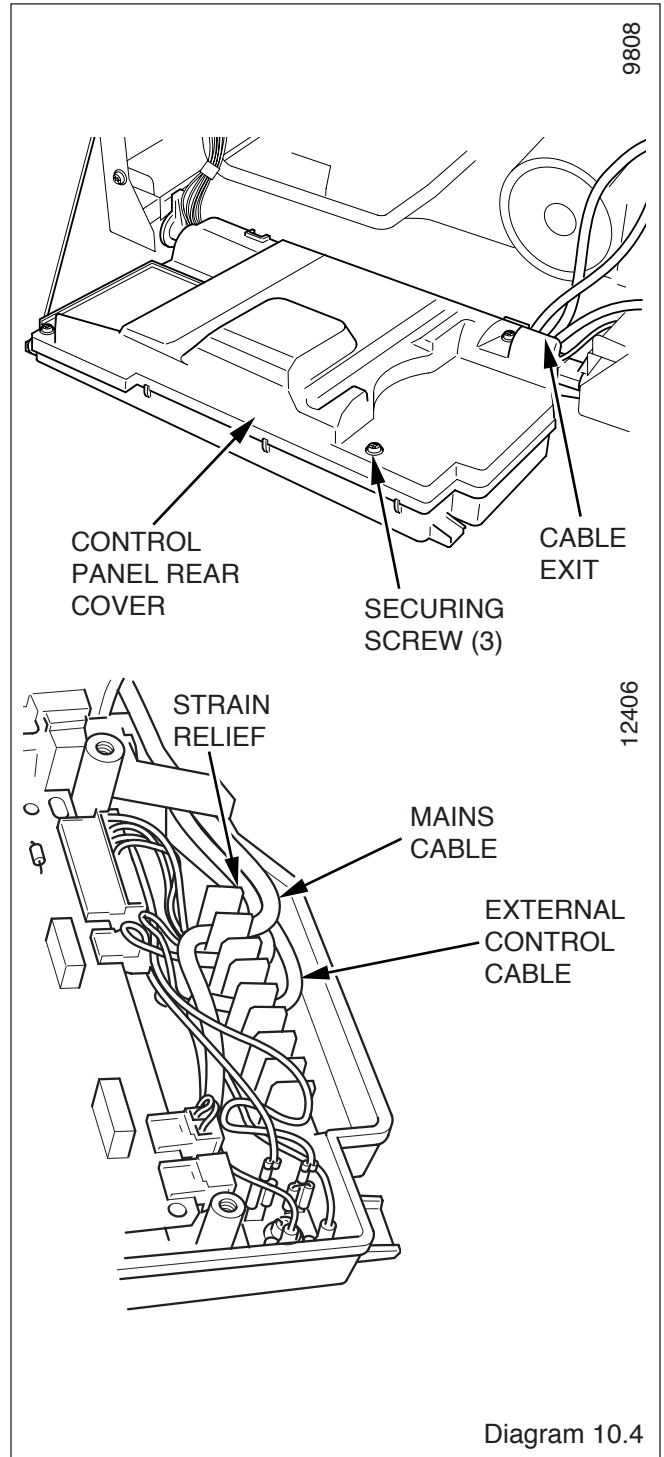
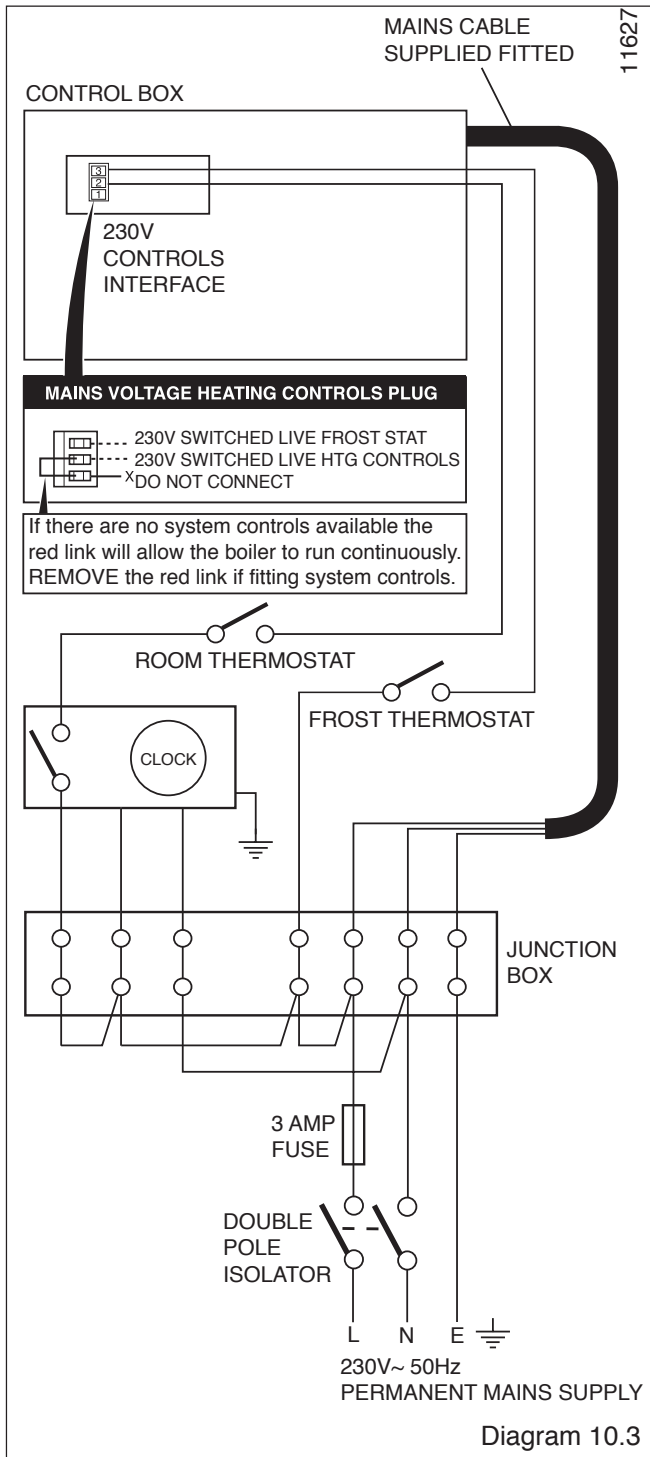
External control should be fitted in accordance with the rules in force.

Refer to wiring diagram in Section 13.





## 10 Electrical Connections



### 10.4 Electrical Connections - Testing

Carry out preliminary electrical system checks as below:

1. Test insulation resistance to earth of mains cables.
2. Test the earth continuity and short circuit of cables.
3. Test the polarity of the mains.

# 11 Commissioning

Please ensure the "Benchmark" logbook is completed and left with the user and the magnetic lighting instruction label is placed on the surface of the boiler casing.

## LPG CONVERSION - 30sxi only

**NOTE:** Steps 11.1 to 11.3 will need to be completed before the appliance can be converted.

The 30sxi can be converted to run on LPG-Propane (G31).

This conversion should only be carried out by a **competent person**.

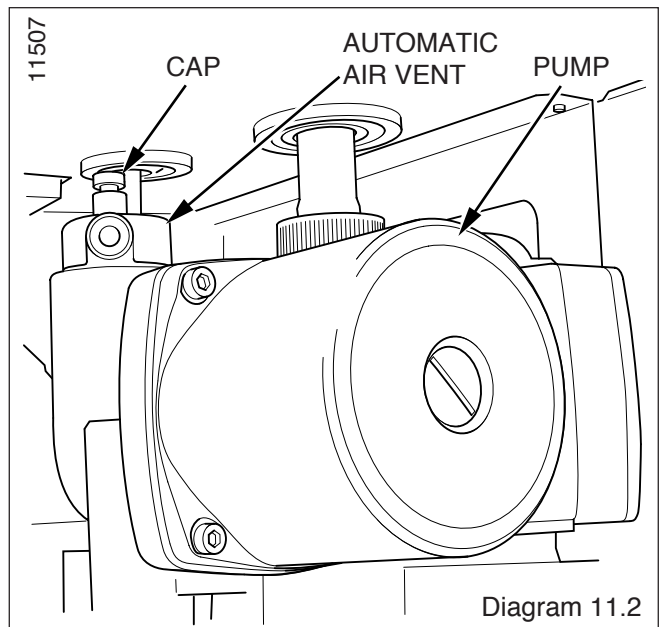
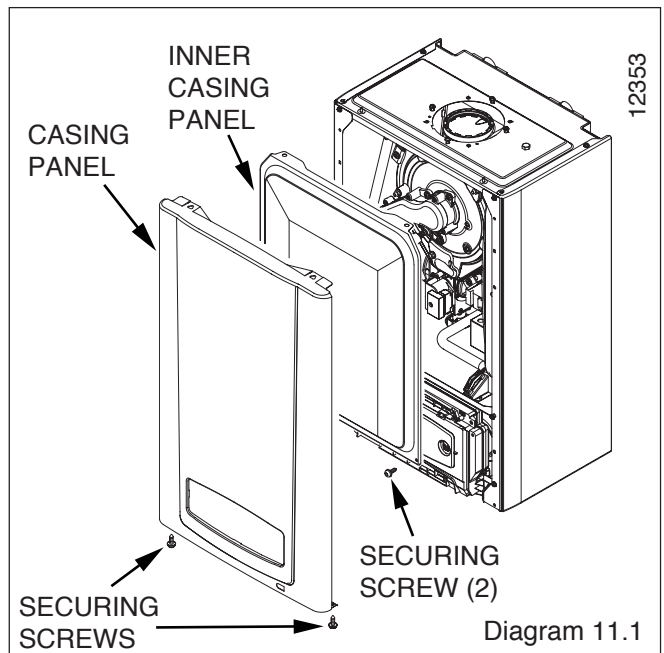
During the conversion to Propane use of a suitable flue gas analyser is necessary.

As an option a chargeable boiler only commissioning service can be provided by Glow-worm Service by calling telephone No. 01773 828100.

Tools required to make the conversion are a 2mm Allen key and an electrician's screwdriver.

Ensure that the appliance supply pressure = 37mb.

- (1) Access the gas valve.
- (2) Refer to diagram 11.3 and turn the gas valve throttle fully clockwise.
- (3) Turn the throttle back anti-clockwise by 5 1/2 turns.
- (4) Ensure that the gas analyser is set to the correct fuel setting - Propane.
- (5) Attach combustion analyser to the combustion test point. See diagram 12.1.
- (6) Unclip the controls fascia to reveal the service potentiometer on the rear of the user interface. See diagram 12.7.
- (7) Turn on the mains electrical supply and turn on the gas service cock. Switch the boiler on.
- (8) Ensure external controls are calling for heat. The boiler should fire automatically.
- (9) Using an electrical screwdriver, rotate the service potentiometer to the mid point or 3 o'clock position, see diagram 12.7. The fan speed should now reduce to minimum and '12' should be shown flashing on the digital display. Check the CO<sub>2</sub> value. If necessary refer to diagram 11.3 and using a 2mm allen key carefully adjust the offset screw until a CO<sub>2</sub> reading of 10.5% ± 0.2% is achieved. Turning the offset screw clockwise increases the CO<sub>2</sub> reading.
- (10) After setting combustion, rotate the service potentiometer fully anti-clockwise so that the display indicates the water temperature. Check that the CO<sub>2</sub> combustion remains between 9.8% and 10.8% CO<sub>2</sub>. Further adjustment should not be necessary, however if required, carefully adjust the gas valve throttle (see diagram 11.3) until this is achieved.
- (11) Remove analyser probe from the test point and replace the cap. Refit the control panel.
- (12) Fit the LPG conversion label supplied in the documentation pack to the inner front panel alongside the data label. Refit the inner door and outer door.



### 11.1 Preliminaries

A **competent person** in accordance with the current issue of BS6798 should carry out commissioning.

**NOTE:** Remove the inner casing panel, see diagram 11.1.

Make sure that the system has been thoroughly flushed out with cold water without the pump in place.

Refit the pump, fill the system with water, making sure that all the air is properly vented from the system and pump, see diagram 11.2.

Before operating the boiler check that all external controls are calling for heat.

# 11 Commissioning

## 11.2 System Commissioning

Open the two central heating isolating valves, slots in line with the length of the valve, see diagram 7.1

To enable the system pressure to be viewed, turn the heating temperature knob to the OFF position .

Turn the mains electricity supply on to the appliance and ensure that the mains switch on the appliance fascia is set to the on position.

The system pressure should be viewed on the digital display on the front of the appliance, see diagram 1 of the Users Instructions.

Pressurise the system until the pressure on the display reads at least 1.0bar.

Make sure that the automatic air vent works correctly and that the black cap is loosely fitted to allow air to escape, see diagram 11.2

Check the heating system and boiler connections for water soundness.

## 11.3 Preparation for Lighting

Isolate the boiler from the mains electrical supply.

Test for gas soundness and purge air from the gas supply. Turn on the gas isolation valve, slot in line with the length of the valve, see diagram 7.1.

## 11.4 Initial Lighting

The lighting procedure of the boiler is fully automated.

Ensure that the central heating water temperature control knob is turned OFF.

Turn on the mains electrical supply and the mains reset knob to (I) on the controls fascia.

The digital display will show system pressure.

Turn the central heating water temperature control knob to (I) MINIMUM.

The digital display will now show water temperature.

The fan should start and after a few seconds the ignition will commence

If the burner fails to light the fan will stop. Initially this may be due to air in the gas supply line. The boiler will automatically have three attempts at ignition.

If necessary turn the reset switch to the off position (O), then back to the on position (I) and the boiler will restart.

After the boiler has lit, allow to warm at minimum temperature setting to purge any air from the system.

**NOTE:** If the appliance is operated above **MINIMUM** on initial lighting, there is a possibility that the overheat thermostat will trip and "F5" will be displayed on controls fascia, this is due to air not having been completely purged. See diagram 14.13 for reset switch.

Once the system has been purged of air, turn the central heating water temperature control knob to the desired temperature.

The appliance will then continue to fire until the user controls are satisfied.

**NOTE:** That after first power up the firing sequence changes. After one minute stabilisation time the boiler will ramp slowly to full rate rather than going immediately to full rate. This is an adaptive feature to cope with small system requirements.

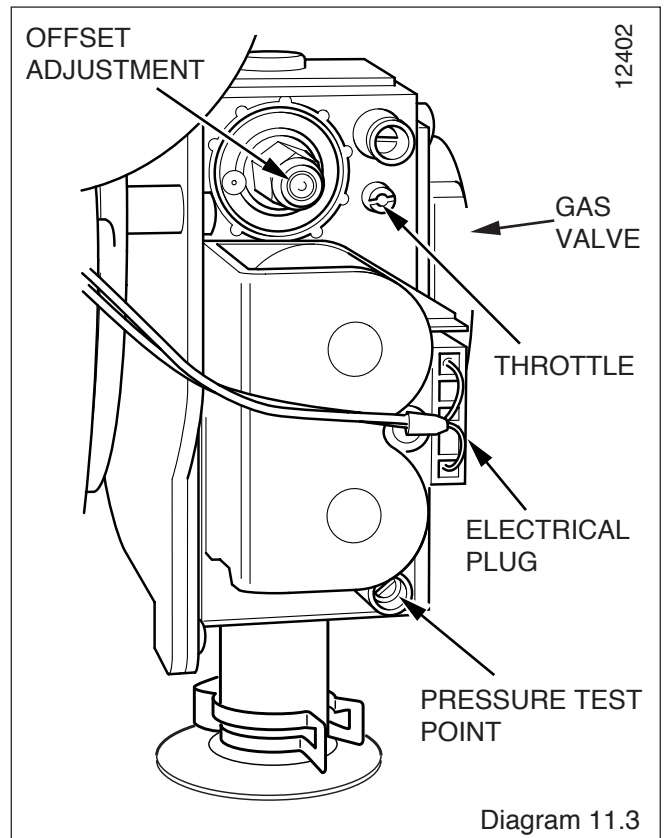


Diagram 11.3

## 11.5 Testing - Gas

	Case Off	Case On
Burner CO <sub>2</sub> (G20)	9.1+0.2-0.5	9.3+0.3-0.5
Burner CO <sub>2</sub> Propane (G31)	10.5+0.3-0.7	10.7+0.3-0.8

Should any doubt exist about the gas rate, check it using the gas meter test dial and stop watch at least 10 minutes after the burner has lit, making sure that all other gas burning appliances and pilot lights are off.

The approximate gas rate: **18sxi** : 2.0m<sup>3</sup>/h (71 ft<sup>3</sup>/h)

**30sxi** : 3.0m<sup>3</sup>/h (107 ft<sup>3</sup>/h)

**NOTE:** (LPG (G31) should be adjusted as described on the previous page. (It should be checked that the supply pressure is 37mb for LPG appliances).

The gas valve is factory set and should need no adjustment. It should be checked that the supply pressure is 20mb when the boiler is firing at full rate. This can be achieved by checking the inlet pressure at the pressure test point on the gas valve shown in diagram 11.3.

Disconnect pressure gauge.

**NOTE:** That the burner pressure cannot be measured at the gas valve as it is altered by the suction of the fan and modulated according to demand.

Replace inner casing panel and front casing panel, see diagram 11.1.

## 11 Commissioning

### 11.6 Testing - Heating System

Check that all remote controls are calling for heat. The boiler will fire automatically. Fully open all radiator valves and flow control valve 'A' if fitted, see diagram 4.1.

Balance the radiators as required and if fitted adjust valve 'A' to give the required system differential. Turn off all radiators that can be shut off by the user and check to see if less than the maximum differential allowed of 20°C can be achieved across flow and return.

This boiler has a built in bypass, see diagram 11.4. and 14.15.

The boiler is supplied with the bypass open half a turn. It should not be necessary to adjust the bypass, but if required turn the adjustment screw clockwise to close the valve.

Allow the system to reach maximum temperature then switch off the boiler by isolating from the electrical supply.

Drain the entire system rapidly whilst hot, using the drain tap at the lowest part of the system. Fill and vent the system as described previously in section 11.2.

Lock or remove the handle from control valve 'A' to prevent unauthorised adjustment.

### 11.7 Completion

Adjust the boiler temperature control and any system controls to their required settings. In addition it is necessary to complete the "Benchmark" logbook.

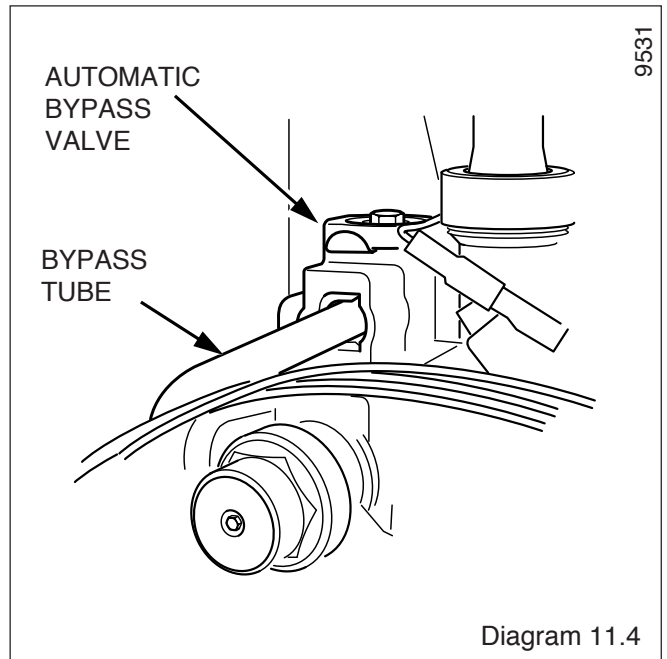


Diagram 11.4

For IE, it is necessary to complete a "Declaration of Conformity" to indicate compliance to I.S.813. An example of this is given in the current edition of I.S.813.

**Testing Flue Gases:** If any doubt exists that the flue products are not exhausting correctly, investigate by use of a gas analyser (FGA).

## 11 Commissioning - Instructions to the User

### 11.8 User Controls and Options

The mains / reset switch is used to restart the boiler after a fault condition has occurred, i.e. ignition failure.

The central heating water temperature control knob allows the user to set the desired temperature.

**NOTE:** If there is no demand the digital display shows the water pressure.

#### Temperature Display

The digital display normally shows the operating temperature of the unit when there is a central heating demand.

### 11.9 Pump Exercise Program

After a power cut or every 24 hours in frost setting/summer mode the pump will run for one minute to prevent it from sticking. This will also occur during normal operating if there is no demand for more than 24 hours.

### 11.10 Frost Protection

The boiler has a built in frost protection programme as long as the electricity and gas are left switched on.

This device operates the burner and system pump when the temperature inside the boiler falls to 3°C.

When the temperature inside the appliance reaches 10°C the burner will shut down and after a short period the pump will stop.

This device primarily protects the boiler. Any other exposed areas of the system should be protected by a separate frost thermostat.

### 11.11 Instruct the User

Instruct and demonstrate the lighting procedure and advise the user on the safe and efficient operation of the boiler.

Instruct on and demonstrate the operation of any heating system controls.

Advise the user on the use and maintenance of any scale reducer and pass on any relevant instructional documents.

Advise that to ensure the continued efficient and safe operation of the boiler it is recommended that it is checked and serviced at regular intervals. The frequency of servicing will depend upon the installation conditions and usage, but in general, once a year should be enough.

Draw attention, if applicable, to the current issue of the Gas Safety (Installation and Use) Regulations, Section 35, which imposes a duty of care on all persons who let out any property containing a gas appliance in the UK.

The user shall not interfere with or adjust sealed components.

It is the Law that any servicing is carried out by a **competent person**.

Advise the user that, like all condensing boilers this appliance will produce a plume of condensation from the flue terminal in cool weather. This is due to the high efficiency and hence low flue gas temperature of the boiler.

Advise the user of the precautions necessary to prevent damage to the system, boiler and the building, in the event of the heating system being out of use during frost or freezing conditions.

Advise the user that the permanent mains electrical supply **SHOULD NOT** be switched off, as the built in frost protection and pump saver program would not be operable.

Reminder, leave these instructions and the 'Benchmark' logbook with the user.

## 12 Servicing

### Important Notes

To ensure the continued efficient and safe operation of the boiler it is recommended that it is checked and serviced at regular intervals. The frequency of servicing will depend upon the particular installation and usage, but in general once a year should be enough.

It is the Law that any servicing is carried out by a **competent person**.

When replacing a part on this appliance, use only spare parts that you can be assured conform to the safety and performance specification that we require. Do not use reconditioned or copy parts that have not been clearly authorised by Glow-worm.

### 12.1 General

Refer to Table 2 Section 1 Technical Information. Measurement of the products of combustion can be achieved by connection of a probe to the combustion analyser test point, see diagram 12.1.

**IMPORTANT NOTE:** Products of combustion will be discharged when the cap is removed. It is important to replace the cap immediately.

Before commencing with a service or replacement of parts the boiler should be isolated from the electrical supply and the gas supply should be turned off at the gas valve, see diagram 7.1.

All routine servicing requirements can be achieved by the removal of the front panel and inner panel only. To remove simply undo the two screws on the underside of the front panel and lift off, see diagram 11.1. Undo the two screws on the front of inner panel and lift off, see diagram 11.1.

Unless stated otherwise any part removed during servicing should be replaced in the reverse order to removal.

Servicing should always include the removal of any debris from the condensate pipe and siphon.

After completing any servicing of gas carrying components, ALWAYS test for gas soundness and carry out a functional test of the controls.

**Testing Flue Gases:** If any doubt exists that the flue products are not exhausting correctly, investigate by use of a gas analyser (FGA).

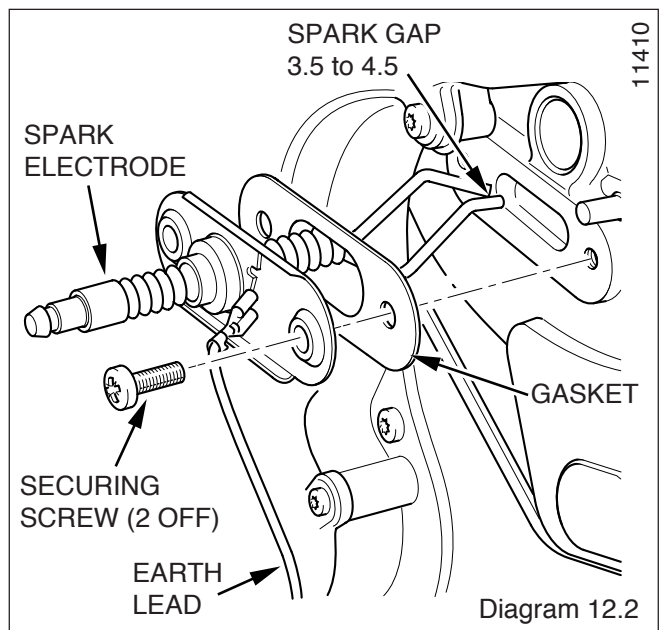
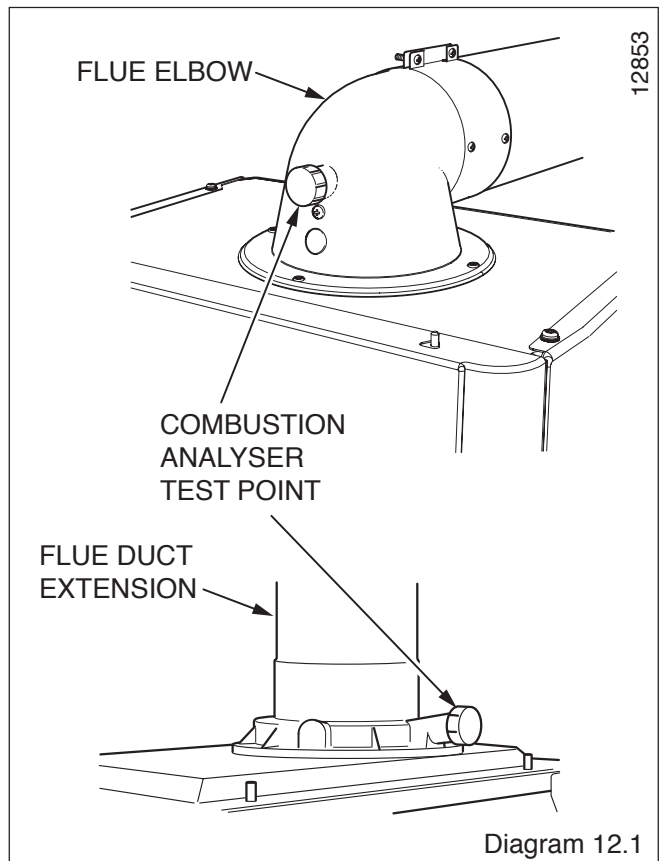
### 12.2 Spark Electrode

Disconnect the electrode lead and two securing screws. Withdraw the spark electrode carefully from the combustion chamber, see diagram 12.2 and 12.5.

Inspect the tips for damage.

Clean away any debris and check the spark gap is 3.5mm to 4.5 mm.

Check the electrode gasket for signs of leakage and replace if necessary.





## 12 Servicing

### 12.3 Burner

**NOTE:** IF THE BURNER HAS TO BE REMOVED IT WILL REQUIRE A NEW GASKET WHEN REFITTED.

Drop down the control panel into the service position, see diagram 10.4.

Disconnect the gas supply at the gas service cock.

Remove the two gas pipe retaining clips, one located below gas valve and the other one located on the underside of the boiler chassis, see diagram 12.4.

Pull sealing grommet down gas pipe, see diagram 12.4.

Push the gas pipe upwards further into gas valve connection and then rotate anti-clockwise (looking down) until the gas pipe end is over the large hole in boiler chassis, see diagram 12.4.

Withdraw the gas pipe from gas valve connection and remove.

**NOTE:** When replacing ensure that the sealing grommet, situated below the gas valve is correctly re-seated.

Disconnect the gas control valve plug at the gas control valve.

Disconnect the electrical leads from the fan.

Remove the five combustion chamber front retaining nuts, see diagram 12.5.

Gently remove the fan, gas control valve and burner assembly from the combustion chamber, see diagram 12.3.

Clean the burner with a soft brush taking great care not to damage the front insulation. DO NOT use wire or sharp instruments to clean the holes of the burner.

Inspect the burner for any signs of damage.

Inspect the sealing rings and replace if necessary.

Removal of the burner is not necessary during a normal service.

### 12.4 Combustion Chamber and Heat Exchanger

Refer to diagram 12.3.

Remove loose debris from combustion chamber using a soft brush and vacuum cleaner. Carefully flush by spraying water any remaining debris through the condensate trap (Ensure the water is kept away from electrical components).

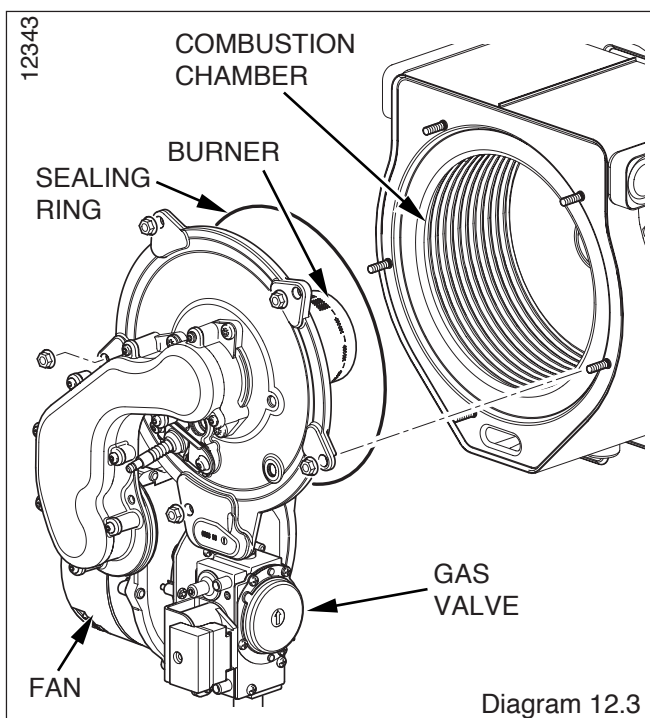


Diagram 12.3

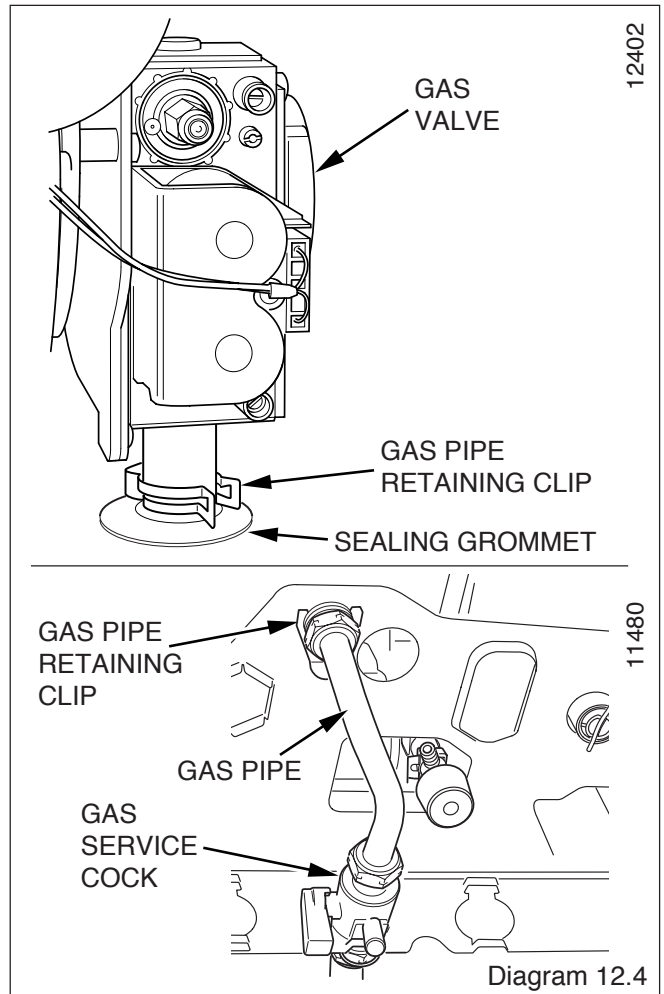


Diagram 12.4

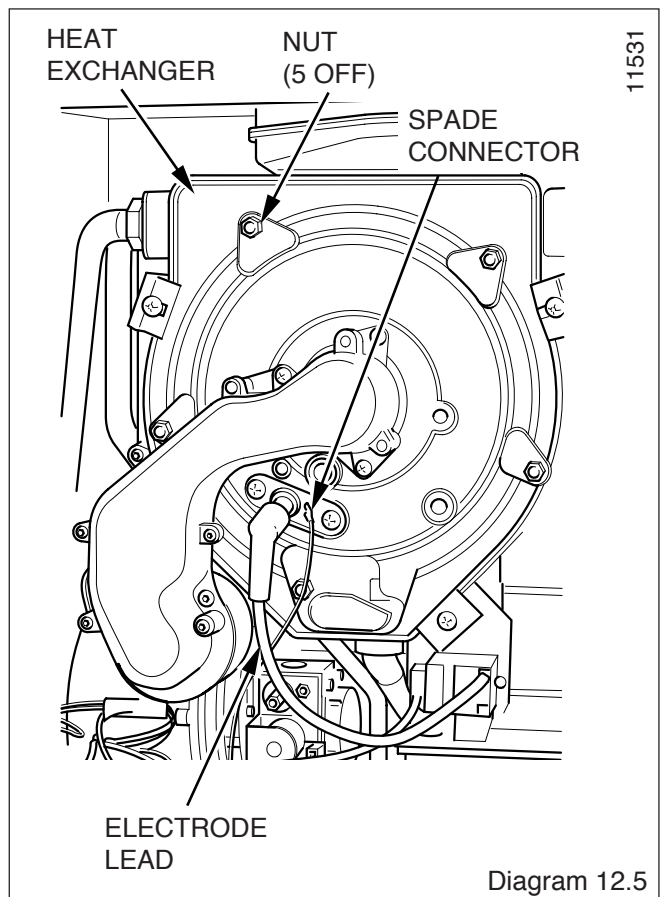


Diagram 12.5



## 12 Servicing

### 12.5 Condensate Drain

The condensate drain does not normally need removing during servicing.

To flush the condensate drain carefully pour water into the heat exchanger and check that water flows freely to drain.

If the condensate drain is blocked refer to section 14.26 for removal.

### 12.6 Combustion Check, see note over

Once the appliance has been re-assembled (apart from the front and inner casing panels) connect a CO<sub>2</sub> combustion analyser to the test point on the flue elbow, see diagram 12.1.

**IMPORTANT NOTE:** Products of combustion will be discharged when the cap is removed. It is important to replace the cap immediately.

Turn on the gas service cock, see diagram 7.1.

With the power off and the appliance cold, unclip the controls fascia and hinge it down to reveal the potentiometers on the rear of the User interface, see diagram 12.7. Take care not to allow the fascia to drop down and damage the wiring.

Turn on the electrical supply.

Ensure external controls are calling for heat. The boiler should fire automatically.

Allow the boiler to fire for a minimum of 60 seconds and then, using an electrical screwdriver, rotate the service potentiometer fully clockwise. This will allow the digital display to indicate the 'flashing' fan speed on the appliance fascia.

In the fully clockwise position the display should be indicating the maximum fan speed of the appliance, 57±1 for 30sxi and 41±1 for 18sxi.

**Check the CO<sub>2</sub> value, which should be:**

18sxi 30sxi	9.1+0.2-0.5 Case Off
30sxi LPG	10.5+0.3-0.7 Case Off

**Note that with the inner case front panel fitted the combustion readings will increase slightly to:**

18sxi 30sxi	9.1+0.3-0.5 Case On
30sxi LPG	10.7+0.3-0.7 Case On

If adjustment proves necessary then proceed as follows.

For LPG appliances refer to the beginning of commissioning **LPG CONVERSION - 30sxi only.**

Any adjustment to the gas valve should only be carried out by a **competent person.**

Refer to diagram 12.6.

Adjust the maximum rate CO<sub>2</sub> by rotating the throttle to 9.1+0.2-0.5 in small incremental adjustments, then wait for the analyser to reflect the change before continuing to 9.1+0.2-0.5 (anti-clockwise to increase).

Rotate the service potentiometer fully anti-clockwise. Hold it in this position for about 5 seconds before rotating the service potentiometer clockwise to the mid-point or 3 o'clock position. The fan should reduce to 1200 ±100 rpm which will flash '12' on the digital display.

Check the CO<sub>2</sub> value, which should be 9.1+0.2-0.5.

If adjustment proves necessary then proceed as follows.

Adjustment of the CO<sub>2</sub> at minimum rate is very coarse so carefully adjust the CO<sub>2</sub> with the offset adjustment to 9.1+0.2-0.5, see diagram 12.6.

Rotate the service potentiometer fully clockwise and recheck the maximum rate combustion, which should be 9.1+0.2-0.5 ± 0.2%.

After checking combustion rotate the service potentiometer fully anti-clockwise so that the display indicates the water temperature.

Replace the cap on the test point and refit the control cover rear panel.

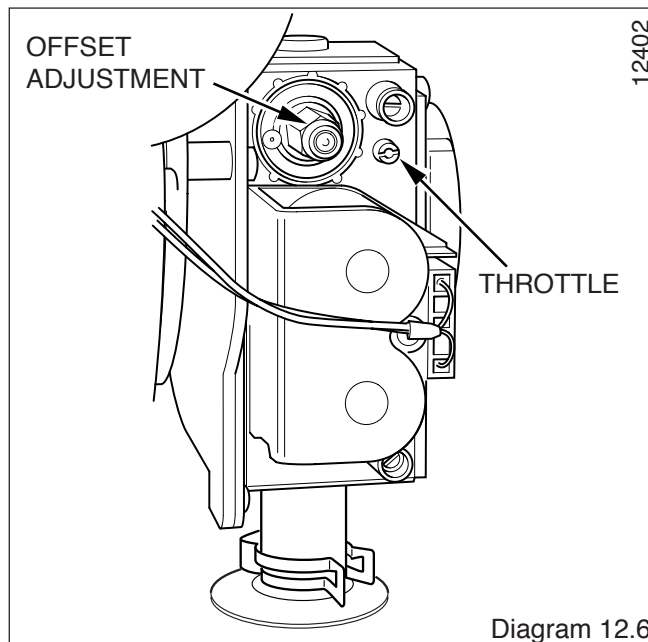


Diagram 12.6

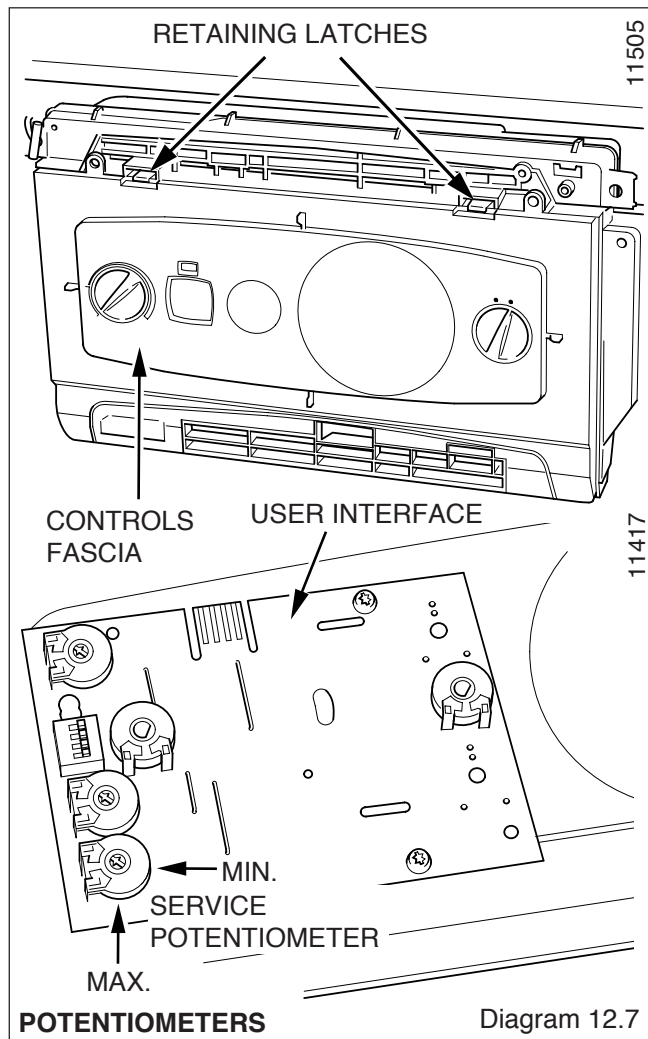


Diagram 12.7

## 12 Servicing

### 12.7 Central Heating Return Filter

Turn off the electrical supply to the boiler.

Refer to section 12.8 and drain the heating circuit of the boiler.

Remove the filter retaining clip and clean filter or renew if necessary, see diagram 12.8.

Refit the filter, ensuring the correct orientation. The flat and hole in the filter positioned as shown in diagram 12.8. Secure with retaining clip.

Open the heating flow and return isolating valves and refill, vent and pressurise the heating circuit. See section 11.2.

Check for leaks.

### 12.8 Draining of Boiler Heating Circuit

Drain down the Heating Circuit only, by closing the heating flow and return isolating valves on the wall mounting jig, see diagram 7.1.

Attach a length of hose to the drain point and open the drain valve, see diagram 12.9.

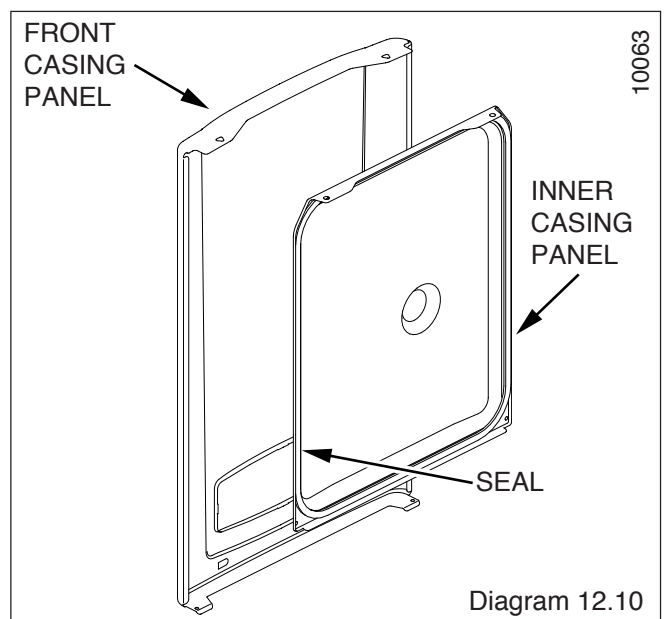
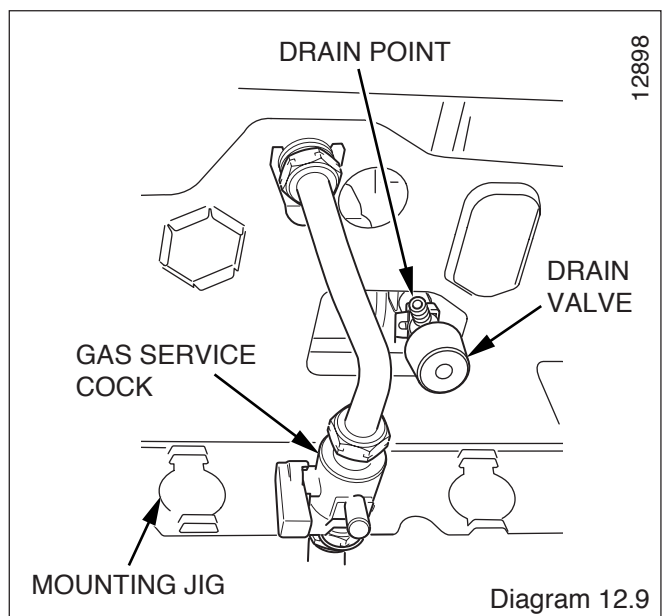
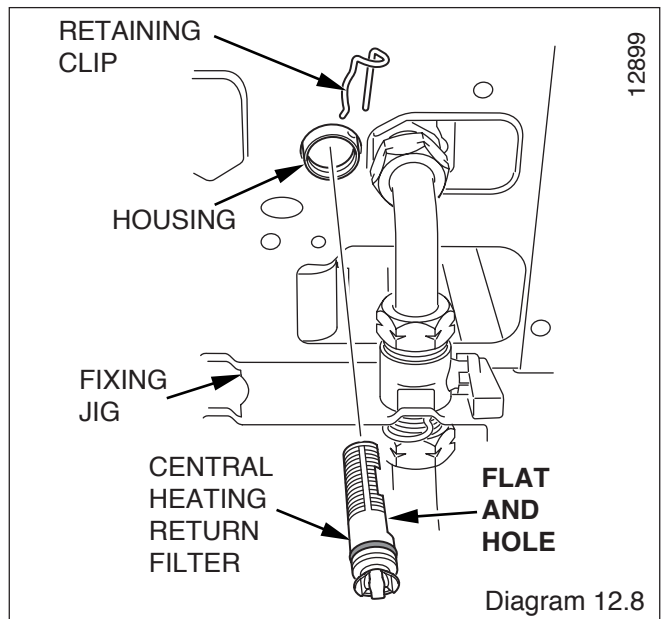
After servicing or replacing parts, close the drain valve and remove the hose. Open the heating flow and return isolating valves and refill, vent and pressurise the heating circuit. See section 11.2.

Check for leaks.

### 12.9 Inner Casing Panel Seal Check

Check the condition of the seal, replace as required.

To replace remove the old seal, thoroughly clean the casing surfaces. Fit the new seal, it is supplied to the correct length, see diagram 12.10.



### ATTENTION! 12.6 COMBUSTION CHECK

When carrying out a combustion check or replacing the gas valve, please click this link to go to the gas valve replacement instructions for the gas valve setting procedure.

## 13 Fault Finding

### NOTE:

Before trying to operate the boiler make sure that :

- All gas supply cocks are open and that the gas supply has been purged of air.
- There is a permanent mains supply to the boiler.
- There is a heating demand from the external controls.

### WARNING:

Always isolate the boiler from the electrical supply before carrying out any electrical replacement work.

Always check for gas soundness after any service work.

### Electrical Testing

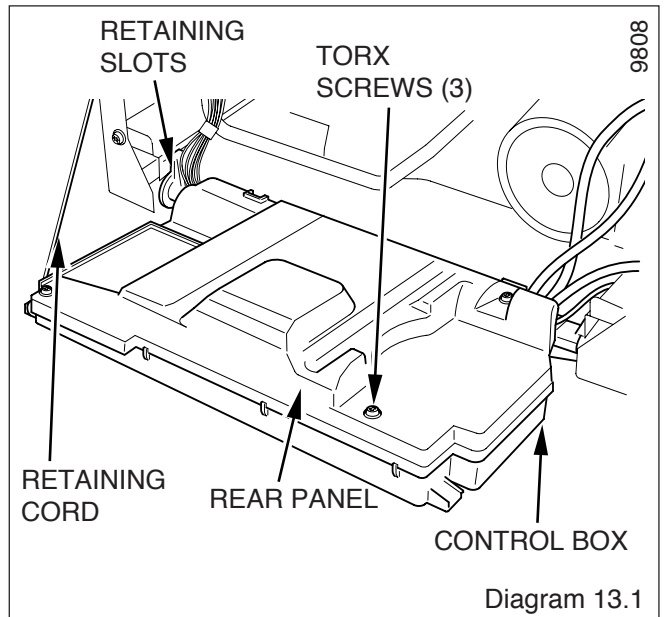
Should there be any doubt about the voltage supply to any of the components, it is possible to carry out a simple electrical test.

**IMPORTANT:** On completion of the Service/Fault Finding tasks which have required the breaking and remaking of the electrical connections the earth continuity, polarity, short circuit and resistance to earth checks must be repeated using a suitable multimeter.

To carry out the electrical test, gain access, as follows:

Hinge down the control box and remove Torx screws and unhook the rear panel, refer diagram 13.1.

Refer to the Wiring diagram 13.2 and fault finding charts diagrams 13.3 and 13.4.



# 13 Fault Finding

12454

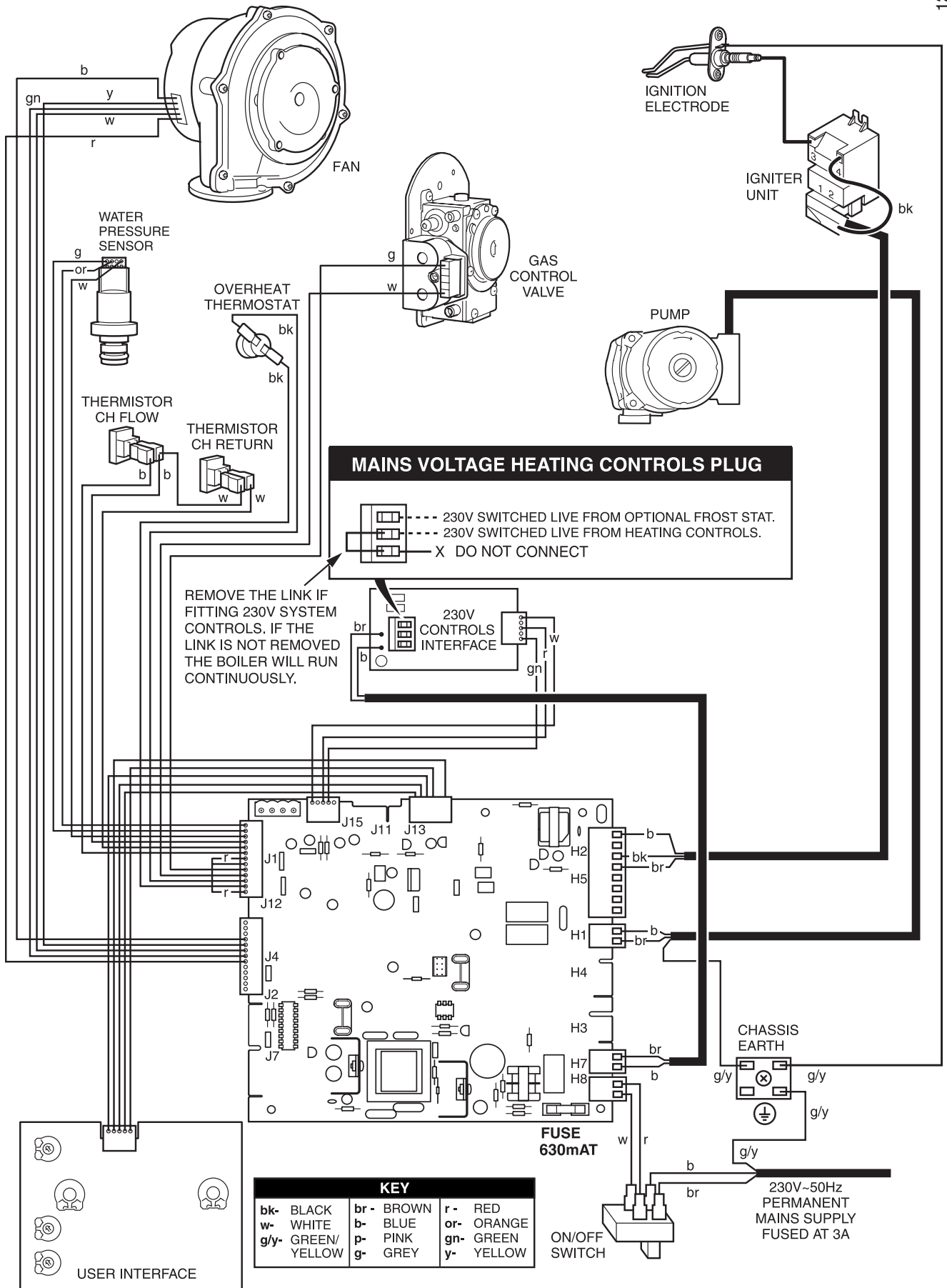
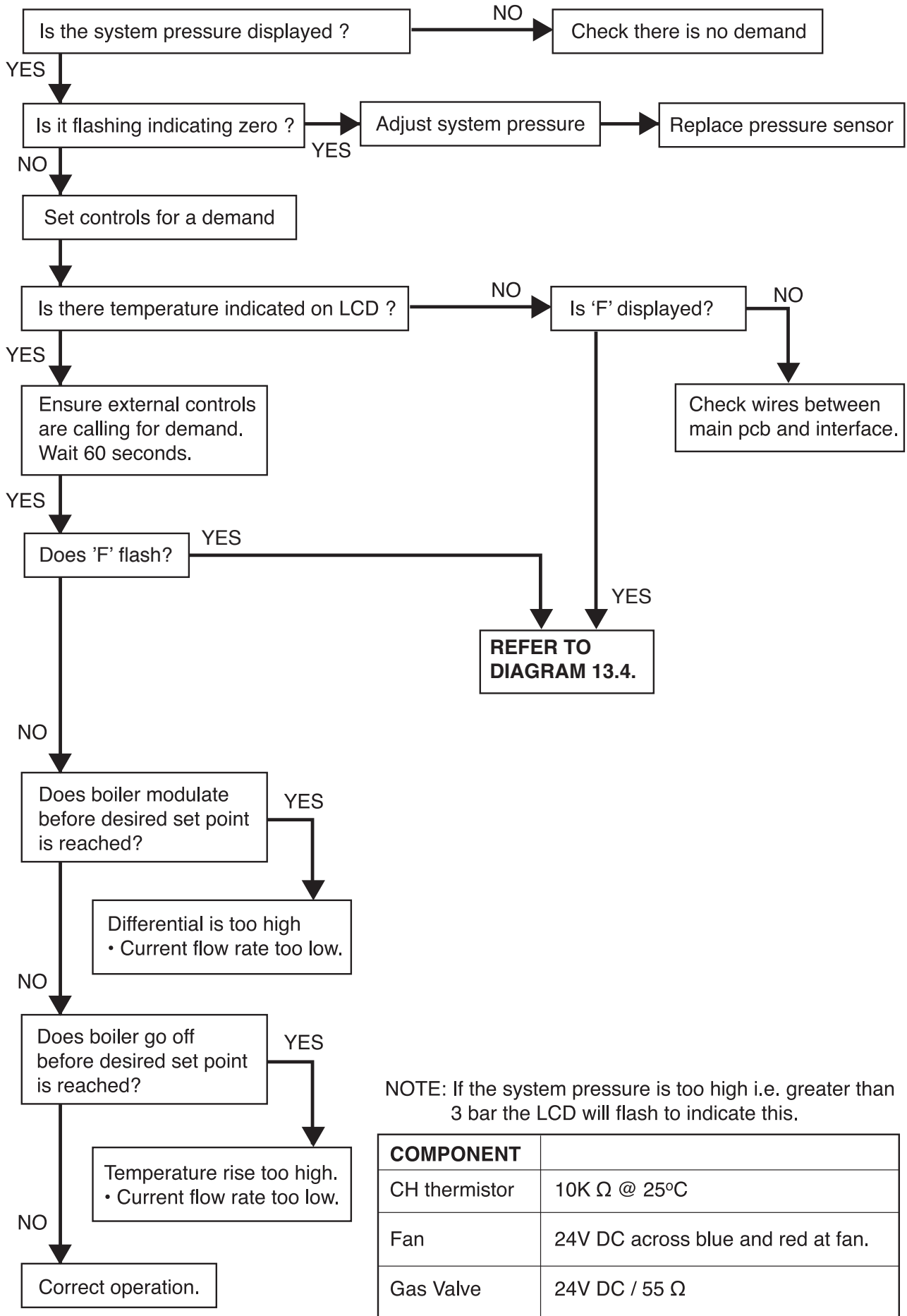


Diagram 13.2

# 13 Fault Finding

12189



NOTE: If the system pressure is too high i.e. greater than 3 bar the LCD will flash to indicate this.

COMPONENT	
CH thermistor	10K $\Omega$ @ 25°C
Fan	24V DC across blue and red at fan.
Gas Valve	24V DC / 55 $\Omega$

Diagram 13.3

## 13 Fault Finding

12355

CODE	DESCRIPTION	POSSIBLE CAUSE
F1	Ignition fault (lockout) Boiler failed to light	No gas Insufficient gas Incorrect gas valve adjustment Electrode Ignition lead defect Electronic igniter defective Check air inlet duct Check connections to igniter unit
F4	Ignition fault (lockout) Went out when lit	As <b>F1 possible cause</b>
F5	Overheat fault	Overheat stat operated Maximum temperature exceeded Check thermistor connections Air in system with thermistor at maximum setting Faulty overheat stat connection Check that pump is wired into appliance and not from programmer. This would cause no pump overrun
F6	Central heating flow thermistor fault	Thermistor cable defective/broken, thermistor faulty Check that thermistor attached correctly to pipe
F9	Water pressure sensor fault	Faulty sensor connection - check wiring
F10	Central heating return thermistor fault	Thermistor cable defective/broken, thermistor faulty Check that thermistor attached correctly to pipe
F11	Main board connection fault	Check wiring between mainboard and user interface
F12	User interface connection fault	Check wiring between mainboard and user interface
F13	Main PCB connection fault	Check connections and wires
F14	Central heating flow temperature is greater than 95°C	System fault Possible pump failure Check Thermistor on flow
F16	Flame detection fault (flame presence for more than 5 seconds after burner stop)	Gas valve defective
F17	Power supply is less than 170V	Check electrical supply / polarity
F18	User interface fault	Faulty User Interface
F19	Central heating thermistor unplugged	Check Thermistor connection
F20	Software incompatibility	Incorrect user interface or Main PCB
F21	Lack of water fault (pressure is less than 0.5bar)	System leak or faulty pressure sensor
F22	Upper water pressure (is greater than 2.7bar)	Filling device open
F24	Central heating return temperature is greater than 90°C	System fault Possible pump failure Check Thermistor on return
F25	Maximum temperature rise slope	Possible pump failure Air in system
F26	Maximum delta temperature	Check Thermistor on return System - too restrictive

Diagram 13.4

## 14 Replacement of Parts

### 14.1 Important Notes

When replacing a part on this appliance, use only spare parts that you can be assured conform to the safety and performance specification that we require. Do not use reconditioned or copy parts that have not been clearly authorised by Glow-worm.

Replacement of parts must be carried out by a **competent person**.

Before replacing any parts the boiler should be isolated from the mains electric supply and the gas should be turned off at the service cock on the boiler, see diagram 7.1.

Unless stated otherwise parts are replaced in the reverse order to removal.

After replacing any parts always test for gas soundness and if necessary carry out functional test of the controls.

For replacement of parts the front casing and the inner casing panel of the boiler will need to be removed. To remove undo the two screws on the underside of the front casing and lift off. Undo the two screws on the front of the inner front panel and lift off.

The side panels can be hinged sideways to aid replacement of parts.

Undo and remove the three screws securing each side panel to the boiler, two at the front and one at the top.

### 14.2 Spark Electrode

For access, refer to section 14.1.

Remove the spark plug lead, earth lead and two securing screws. Withdraw the spark electrode carefully from the combustion chamber, see diagram 12.2.

### 14.3 Igniter Unit

For access, refer to section 14.1.

Remove ignition lead and electrical connections, then remove igniter unit by removing two securing screws, see diagram 14.1.

### 14.4 Ignition Lead

For access, refer to section 14.1.

Refer to diagram 12.5.

Pull the spark plug style connector off the spark electrode and the spade connector connected to the igniter unit, see diagram 14.1.

### 14.5 Gas Valve

For access, refer to section 14.1.

Remove the electrical plug from the gas valve, see diagram 14.2.

Refer to section 12.3 for removal of the fan, gas valve and burner assembly.

Before removing the gas valve note its position on the fan.

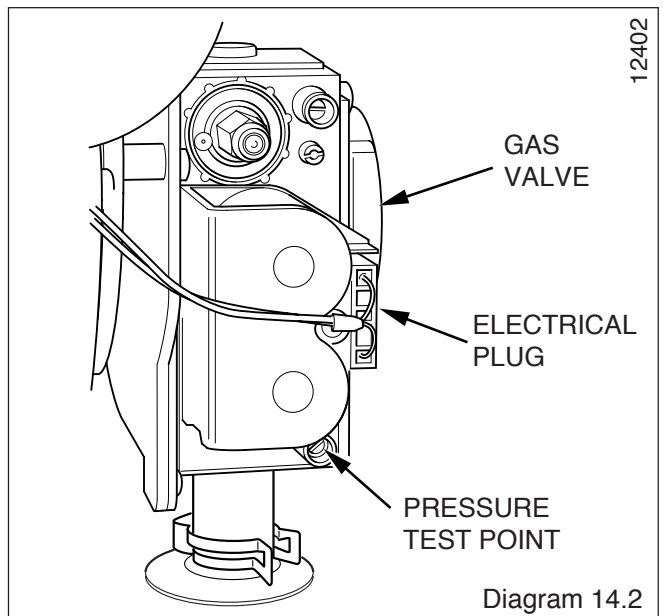
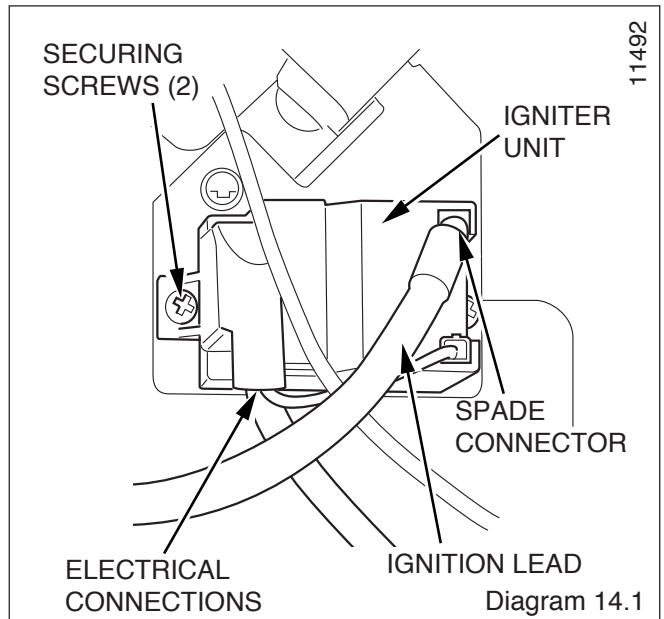
Remove the three securing screws, which fix the gas valve, plastic swirl plate to the venturi on the fan.

Remove the gas valve.

Remove the flexible gas supply pipe from the gas valve.

When refitting the gas valve take care as it can be fitted more than one way.

After assembly test for gas soundness and purge in accordance with the current issue of BS6891 or in IE, the current edition of I.S.813 "Domestic Gas Installations".





## 14 Replacement of Parts

### 14.6 Fan

For access, refer to section 14.1.

Refer to section 12.3 for removal of the fan gas valve and burner assembly.

Remove the gas valve as described in the relevant parts of section 14.5.

Remove the venturi plate secured with four screws and remove the two screws securing the fan to the gas manifold, see diagram 14.3.

Check the gasket and replace if necessary.

**NOTE:** The 30sxi fan is secured through an extension piece with two securing screws, check and replace any seals or gaskets if necessary.

### 14.7 Burner

**NOTE:** THE BURNER WILL REQUIRE A NEW GASKET WHEN REFITTED.

For access, refer to section 14.1.

Refer to section 12.3 for removal of the fan, gas valve and burner assembly.

Remove the four screws that secure the burner, see diagram 14.5.

### 14.8 Front Insulation

For access, refer to section 14.1.

Refer to section 12.3 for removal of the fan, gas valve and burner assembly.

Remove burner as described in section 14.7.

Remove spark electrode, see section 14.2.

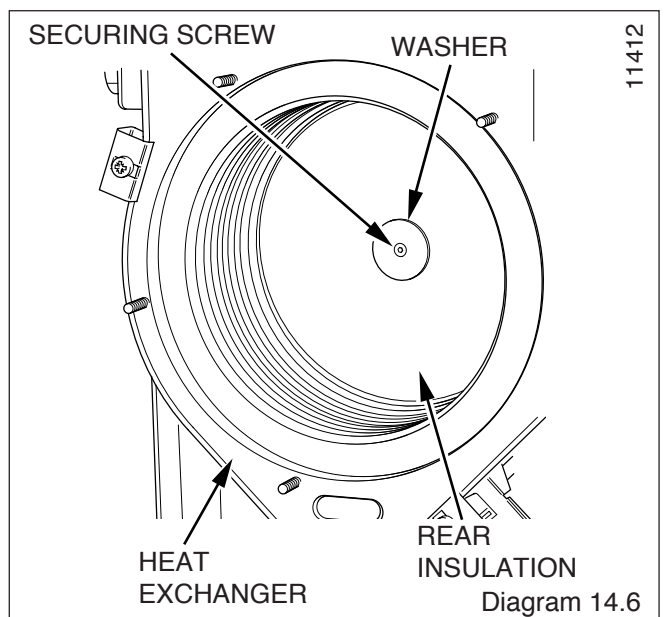
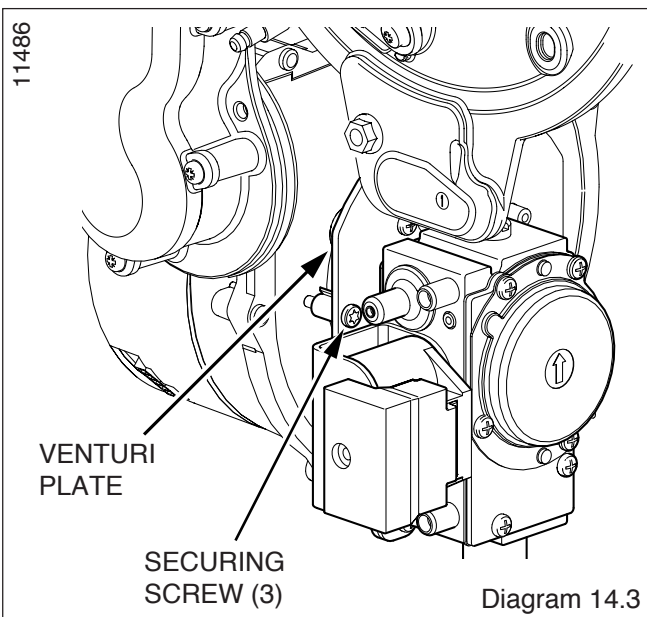
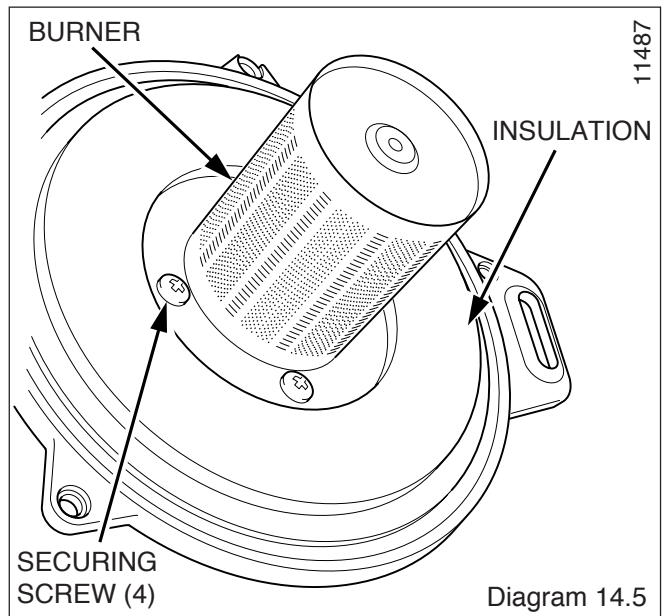
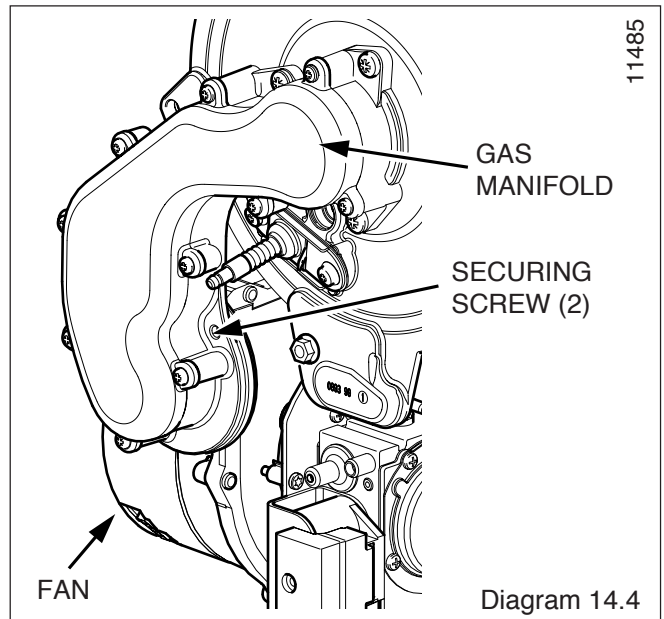
**NOTE:** THE BURNER WILL REQUIRE A NEW GASKET WHEN REFITTED.

### 14.9 Rear Insulation

For access, refer to section 14.1.

Refer to section 12.3 for removal of the fan, gas valve and burner assembly.

Remove securing screw and washer in the centre of the insulation and withdraw insulation, see diagram 14.6.



## 14 Replacement of Parts

### 14.10 Viewing Window

For access, refer to section 14.1.

Refer to diagram 14.7.

Remove circlip.

Remove steel washer.

Remove glass.

Remove fibre washer.

Replace in reverse order.

### 14.11 Expansion Vessel

For access, refer to section 14.1.

Refer to section 12.8 and drain the boiler heating circuit.

Undo the coupling at the base of the vessel, see diagram 14.8.

While holding the vessel remove the securing bolt on the top panel of the boiler and upper support bracket on top of the expansion vessel.

Lift the vessel up, draw bottom out to the left, lower and remove.

Fit the replacement unit. Refill, vent and pressurise the boiler.

Check for leaks.

### 14.12 Heat Exchanger

For access, refer to section 14.1.

Refer to section 12.3 for removal of the fan, gas valve and burner assembly.

Drain the boiler heating circuit, see section 12.8.

Remove the clip securing the clear condense pipe to heat exchanger.

Pull to remove the condense pipe out of the bottom of the heat exchanger.

Undo the two nuts of the flow and return pipes from the heat exchanger.

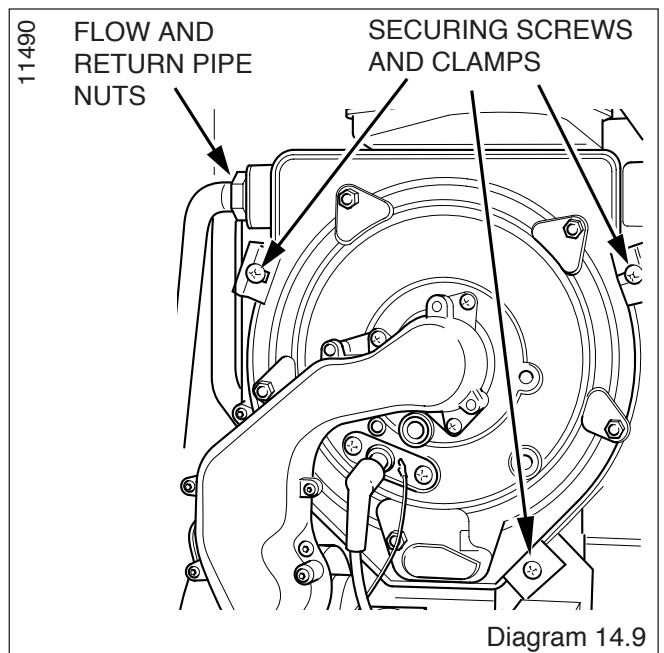
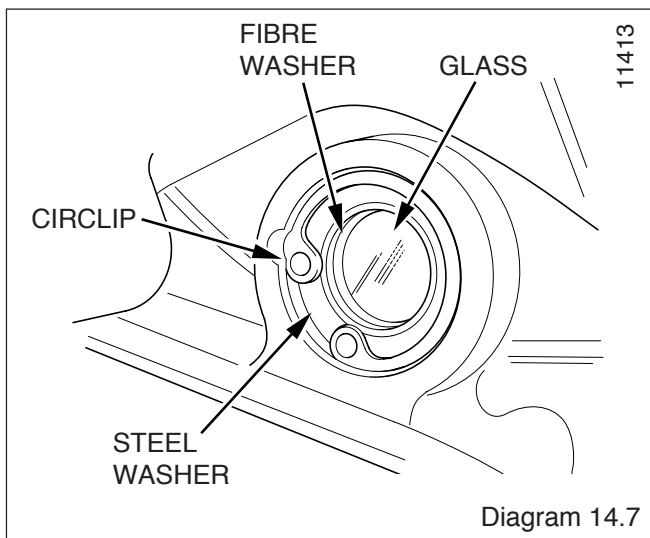
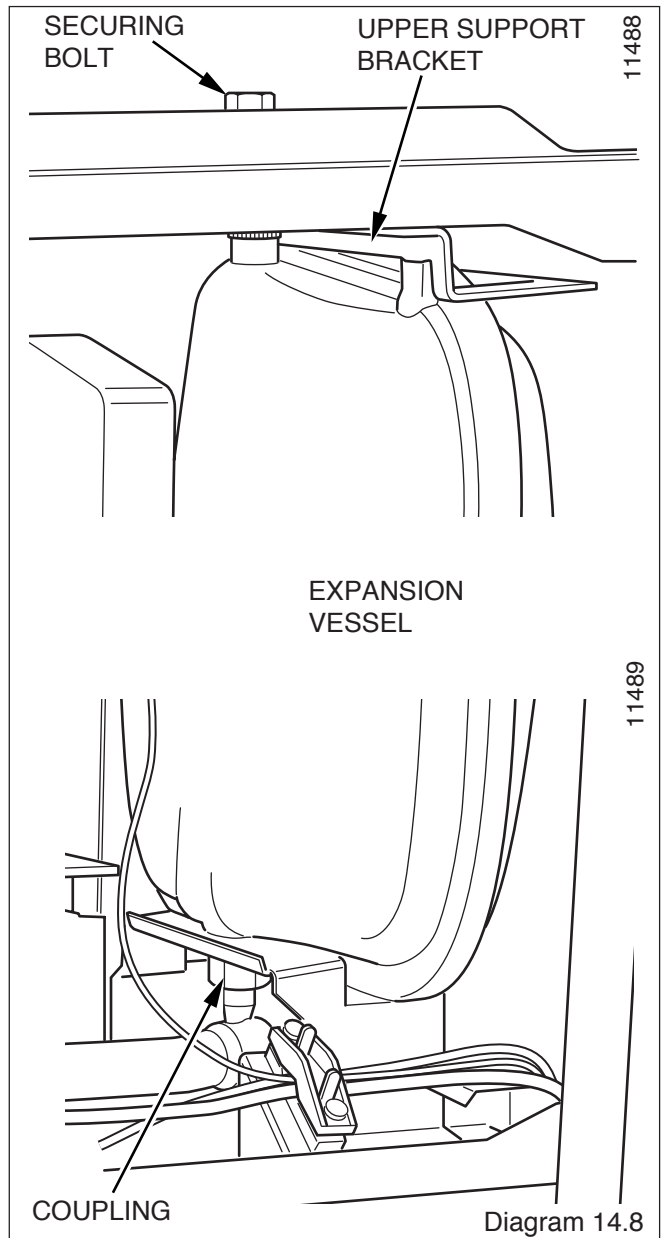
Move the pipes away from the heat exchanger.

Loosen the three heat exchanger securing screws and clamps (two at the top and one at the bottom) to remove the heat exchanger, see diagram 14.9.

**CAUTION:** There will be water in the heat exchanger.

Remove condense pipe connector from bottom of heat exchanger.

Carefully ease heat exchanger out.



## 14 Replacement of Parts

### 14.13 Flue Hood

For access, refer to section 14.1.

Refer to diagram 14.10.

Remove heat exchanger as per section 14.12.

Remove the two securing screws and pull the flue hood down and away from the flue hood bracket and flue elbow, see diagram 14.10.

### 14.14 Pump (head only)

For access, refer to section 14.1.

Refer to section 12.8 and drain the boiler heating circuit.

Refer to diagram 14.11.

Remove the four cap head screws.

Carefully remove the pump head together with cable, do not strain cable.

Support the pump head, unscrew cable cover at the side of pump head and remove.

Disconnect wiring from pump head.

Reconnect wiring to new pump head and fit cover.

Fit the new pump head with 'O' ring.

Refill, vent and pressurise the boiler.

Check for leaks.

### 14.15 Safety Discharge Valve

For access, refer to section 14.1.

Refer to section 12.8 and drain the boiler heating circuit.

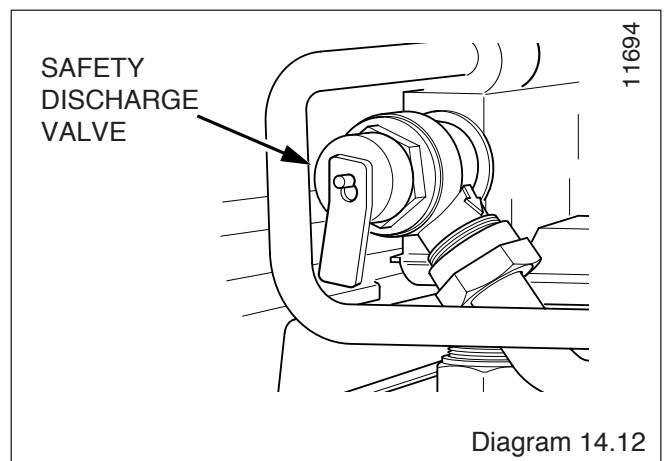
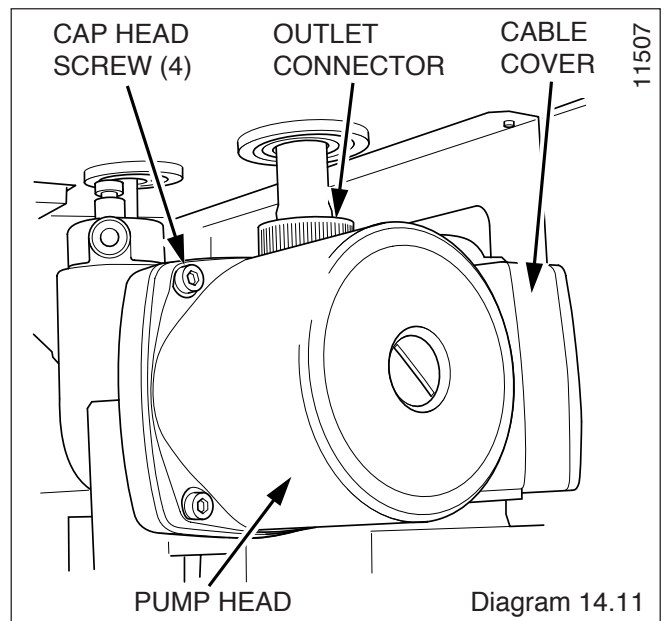
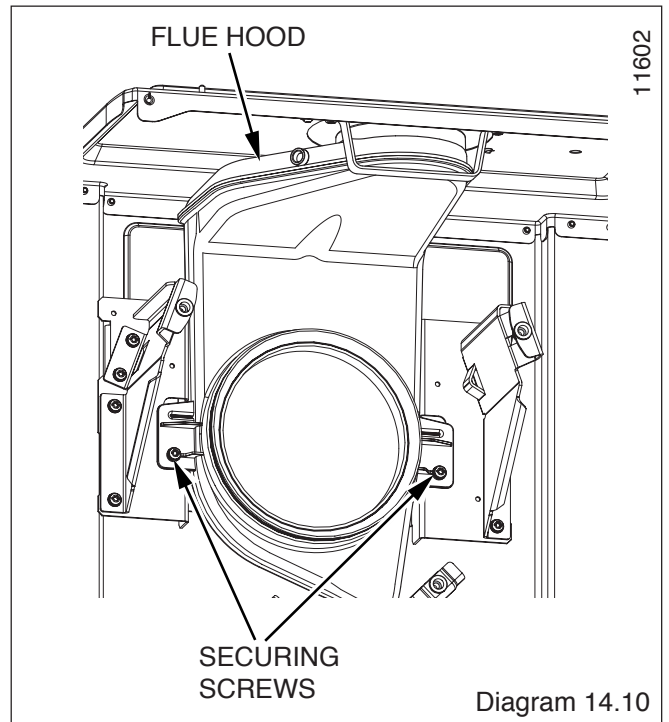
Refer to diagram 14.12.

Undo the safety discharge valve union and remove from the pipework.

Remove the securing clip and withdraw the safety discharge valve.

Refill, vent and pressurise the boiler.

Check for leaks.



## 14 Replacement of Parts

### 14.16 Heating Flow Thermistor

For access, refer to section 14.1.

Refer to diagram 14.13.

Remove the electrical connections from the thermistor.

Remove the retaining clip from the flow pipe.

Remove the thermistor from the retaining clip.

Note that the polarity of the wiring to thermistors is unimportant.

### 14.17 Heating Return Thermistor

For access, refer to section 14.1.

Refer to diagram 14.13.

Remove the electrical connections from the thermistor.

Remove the retaining clip from the return pipe.

Remove the thermistor from the retaining clip.

Note that the polarity of the wiring to thermistor is unimportant.

### 14.18 Overheat Thermostat

For access, refer to section 14.1.

Refer to diagram 14.13.

Remove the electrical connections from the overheat stat.

Remove the retaining clip from the return pipe.

Remove the overheat stat from the retaining clip.

Ensure that the replacement thermostat is correctly located on the flat on the return pipe and carefully push the thermistor clip into place.

### 14.19 Automatic Air Vent

For access, refer to section 14.1.

Refer to section 12.8 and drain the boiler heating circuit.

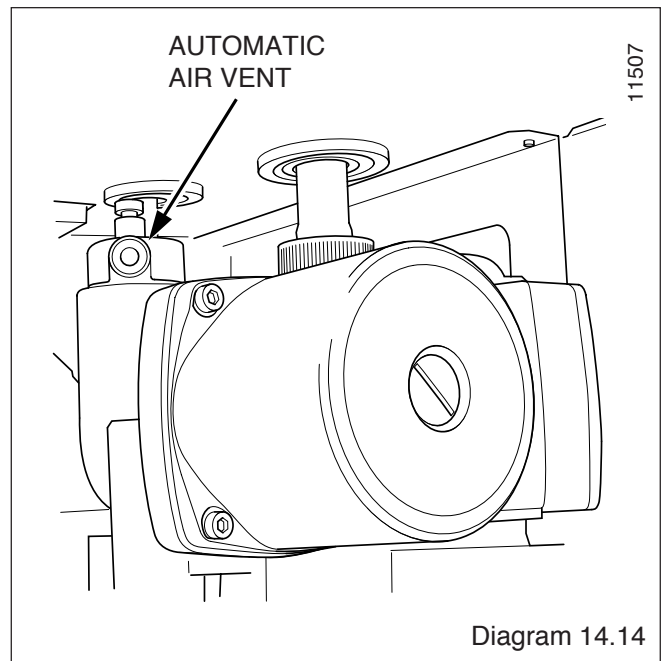
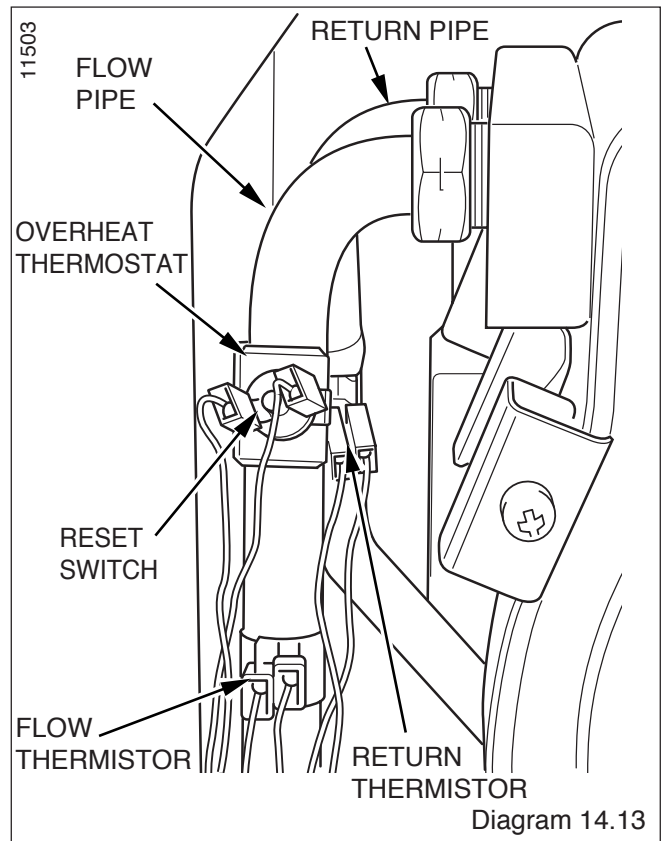
Refer to diagram 14.14.

Unscrew the automatic air vent.

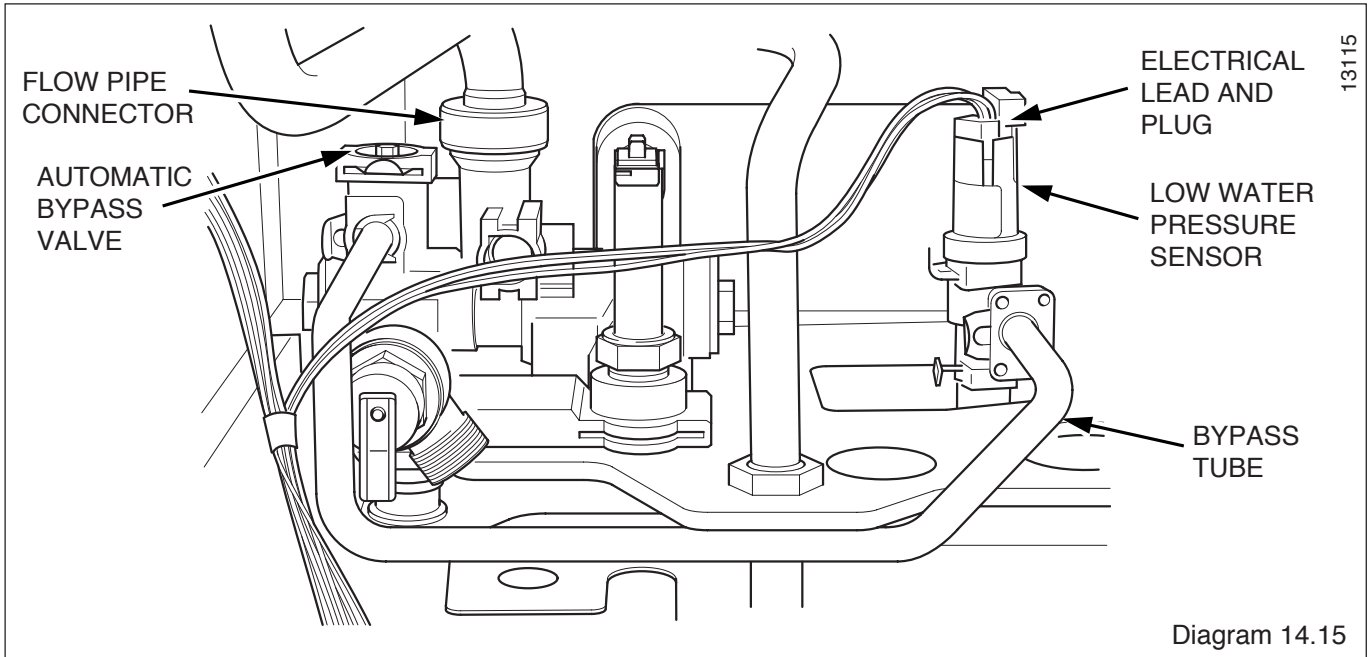
Fit the new automatic air vent and 'O' ring ensuring the vent cap is left loose.

Refill, vent and pressurise the boiler.

Check for leaks.



## 14 Replacement of Parts



### 14.20 Low Water Pressure Sensor

For access, refer to section 14.1.

Refer to section 12.8 and drain the boiler heating circuit.

Refer to diagram 14.15.

Disconnect the electrical lead by pushing up retaining tab and withdraw lead plug.

Remove the retaining clip to remove the low water pressure sensor.

Fit the new low water pressure sensor. Refill vent and pressurise the boiler.

Check for leaks.

### 14.21 Bypass Tube

For access, refer to section 14.1.

Refer to section 12.8 and drain the boiler heating circuit.

Refer to diagram 14.15.

Remove the retaining clips to remove the bypass tube.

Replace the bypass tube, refill, vent and pressurise the boiler.

Check for leaks.

### 14.22 Automatic Bypass Valve

For access, refer to section 14.1.

Refer to section 12.8 and drain the boiler heating circuit.

Refer to diagram 14.15.

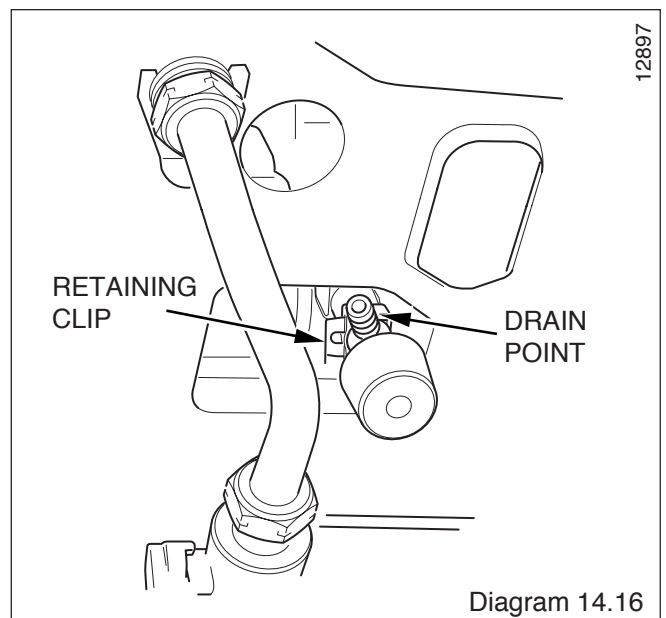
Remove the retaining clip to remove the bypass valve.

Replace the reduced pressure zone valve, refill, vent and pressurise the boiler.

Check for leaks.

### 14.23 Central Heating Filter

Refer to section 12.7.



### 14.24 Heating Circuit Drain Point

Refer to section 12.8 to drain the boiler heating circuit.

Refer to diagram 14.16.

Remove the retaining clip to remove the drain point.

Replace the draining point, refill, vent and pressurise the boiler.

Check for leaks.

### 14.25 Inner Casing Panel Seal

For access, refer to section 14.1.

Refer to diagram 14.17.

Remove the inner casing panel.

To replace remove the old seal, thoroughly clean the casing surfaces. Fit the new seal, it is supplied to the correct length.

Refit the inner casing panel.

**NOTE:** Ensure the seal is fitted correctly giving an airtight joint.

## 14 Replacement of Parts

### 14.26 Condense Drain

Refer to diagram 14.18.

Remove the clips securing the flexible tubes to the siphon adapter by twisting the clips slightly to disengage the clip jaws from each other.

Remove black flexible tubes from siphon adapter.

Lift off the siphon adapter.

Remove the drain connection downstream of the condense trap.

Remove the two condense trap securing screws. Lift up and carefully remove the condense trap taking care not to spill any water which may be left in the unit. As the unit is lifted remove the flexible pipe on the outlet.

Remove any solids found.

Remove the float to clean it.

Flush water through the trap to remove any remaining solids.

Check for any debris in the outlet pipe of the condensate drain and clean as necessary.

Reassemble and refit the condense trap.

When refitting the cap ensure that a watertight seal is achieved, but do not use excessive force.

Remove the siphon adaptor from the flexible tubes, using a suitable container, flush the heat exchanger until the water appears clear in the container.

### 14.27 Hydroblock Assembly Left-Hand

Refer to section 12.8 to drain the boiler heating circuit.

Refer to diagram 14.15.

Undo the connector on the bottom of the flow pipe from the hydroblock.

Undo the nut connecting flow pipe to heat exchanger.

Lift the flow pipe up out of the way.

Remove the bypass tube, refer to section 14.21.

Undo the safety discharge valve union and remove the pipework.

Remove the securing clip and withdraw the safety discharge valve, refer to section 14.15.

Remove securing clip 1 below hydroblock, see diagram 14.19.

Undo three securing screws on the underside of the left-hand hydroblock.

Remove screw in back plate.

Lift out the left hand hydroblock.

Remove any remaining components for refitting into the replacement left hand hydroblock.

Refill, vent and pressurise the boiler.

Check for any leaks.

### 14.28 Hydroblock Assembly Right-Hand

For access, refer to section 14.1.

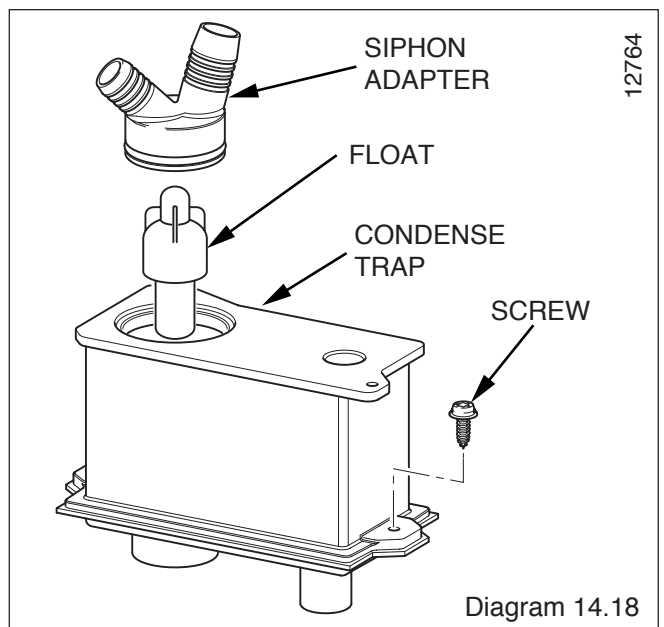
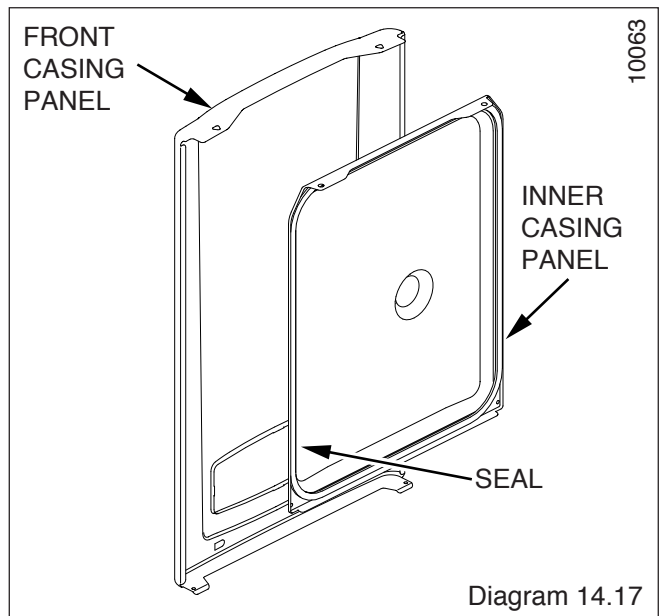
Refer to section 12.8 to drain the boiler heating circuit.

Refer to diagram 14.15.

Undo the connector on the bottom of the return pipe from the hydroblock.

Undo the nut connecting return pipe to heat exchanger.

Lift the return pipe up out of the way.





## 14 Replacement of Parts

Undo the coupling at the base of the expansion vessel, see diagram 14.8.

Remove the clip holding the expansion vessel coupling into the top of the right hand hydroblock.

Move the coupling out of the way.

Remove pump head, refer to section 14.14.

**NOTE:** It is not necessary to disconnect the electrical lead but put pump head in a convenient place where it will not strain the lead.

Remove the bypass tube, refer to section 14.21.

Remove the electrical connection to the low water pressure sensor, refer to section 14.20.

Remove the water connection clip 2 below the hydroblock, see diagram 14.19.

Remove the central heating filter, refer to section 12.7.

Remove the retaining clip to remove the drain point, refer to section 14.24.

Undo two securing screws on underside of the right hand hydroblock.

Remove screw in back plate.

Lift out the right hand hydroblock.

Remove the remaining components for refitting into the replacement right hand hydroblock.

Refill, vent and pressurise the boiler.

Check for leaks.

### 14.29 Access to Switches and User Interface

For access, refer to section 14.1.

Release the front of the fascia by carefully prising up the two retaining latches, see diagram 14.20.

Do not allow the front of the controls fascia to swing down and be loosely held by the electrical connections to the mainsreset switch, user interface and programmer. Either remove the connections or support the fascia.

### 14.30 Mains Reset Switch

Refer to section 14.29 for access and diagram 14.21.

Remove the switch retaining screw.

Remove switch from housing.

Remove electrical leads.

### 14.31 Mains Reset Knob

Refer to section 14.29 for access.

Remove actuator by springing back retaining clips, see diagram 14.21.

Spring back knob retaining clips and push knob out from the back.

### 14.32 Main PCB

Refer to section 14.1 for access and diagram 14.22.

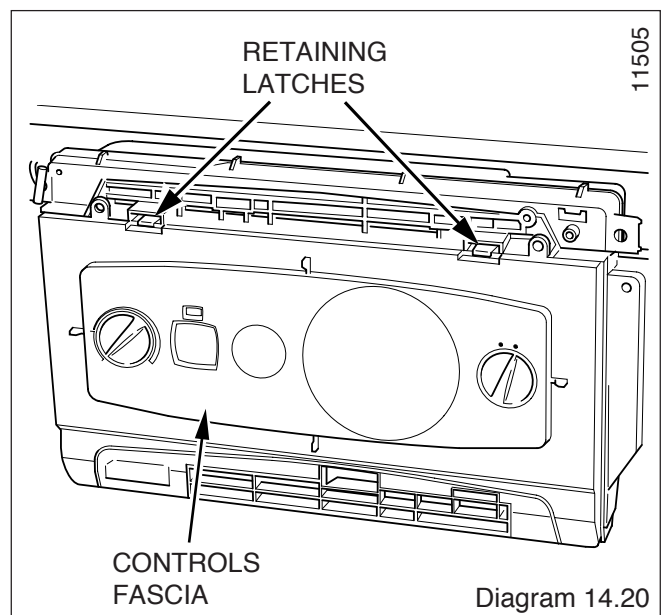
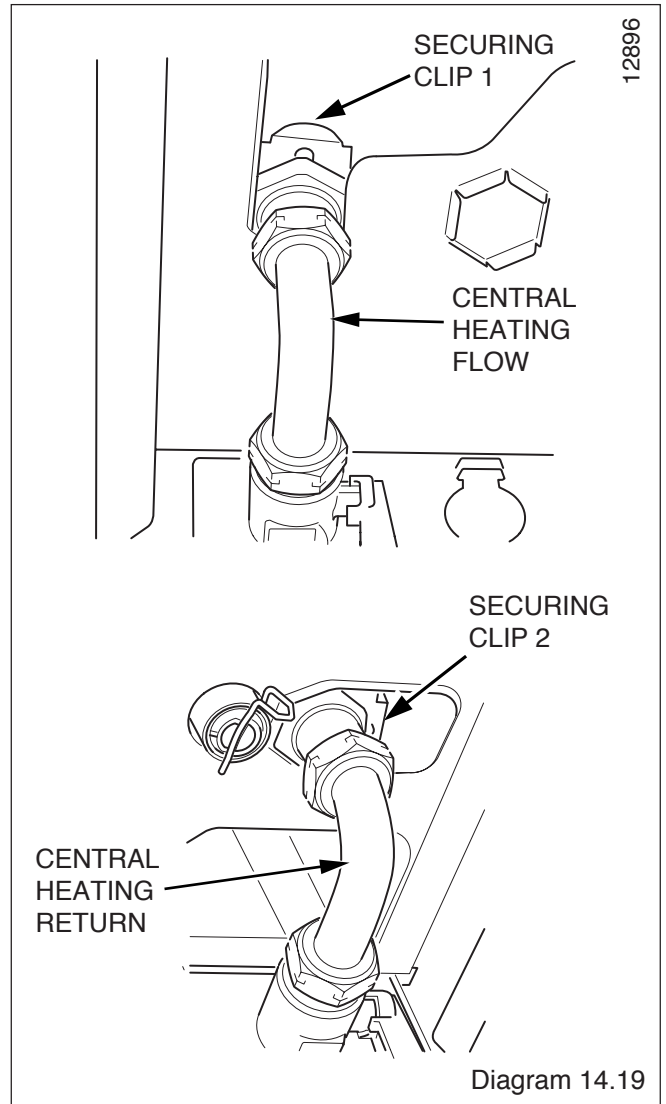
Hinge down the control box.

Remove three TORX screws and unhook the rear panel.

Remove the electrical connections to the PCB.

Prise back the two PCB retaining clips and withdraw the PCB.

When refitting the rear panel ensure the leads are not trapped.





## 14 Replacement of Parts

### 14.33 Control Box

For access, refer to section 14.33.

Remove relevant plugs and connectors, refer to wiring diagram 13.2.

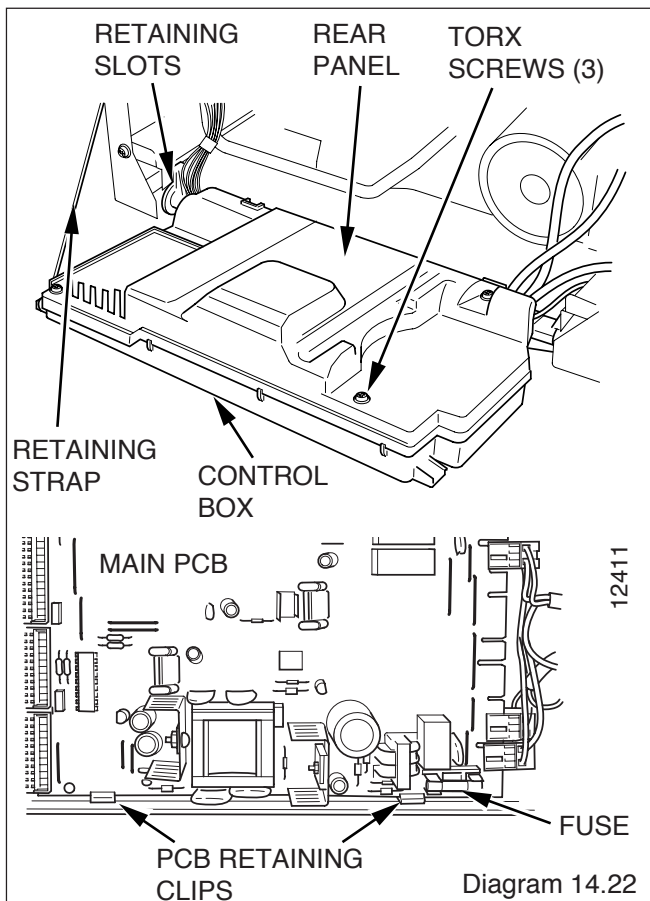
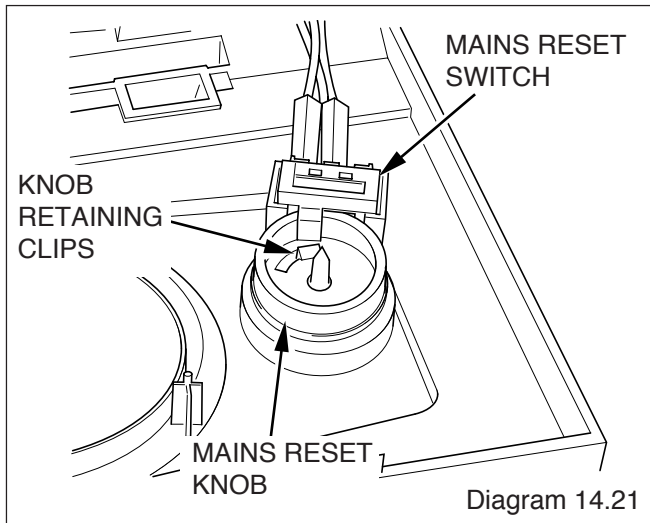
Withdraw grommets and leads so they are hanging loose.

Unthread the retaining strap and remove the control box by drawing it outwards away from its retaining slots, see diagram 14.22.

### 14.34 Fuse - Main PCB - Control Box

For access, refer to section 14.33.

The fuse (rated 630mAT) is located at bottom right hand side of the PCB, see diagrams 13.2 or 14.22.



### 14.35 User Interface

Refer to section 14.29 for access and diagram 14.23.

Remove electrical plug.

Remove the two securing screws.

Withdraw the board.

When replacing the board refer to instructions supplied with replacement PCB on setting it up.

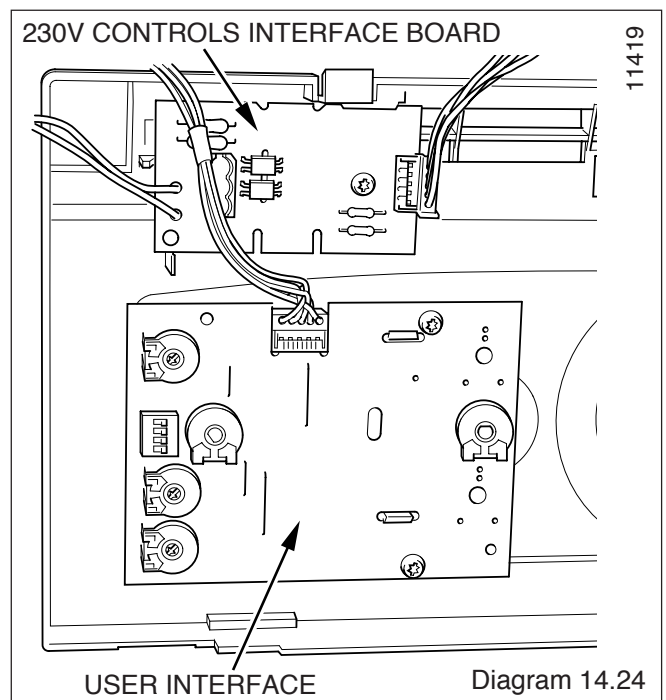
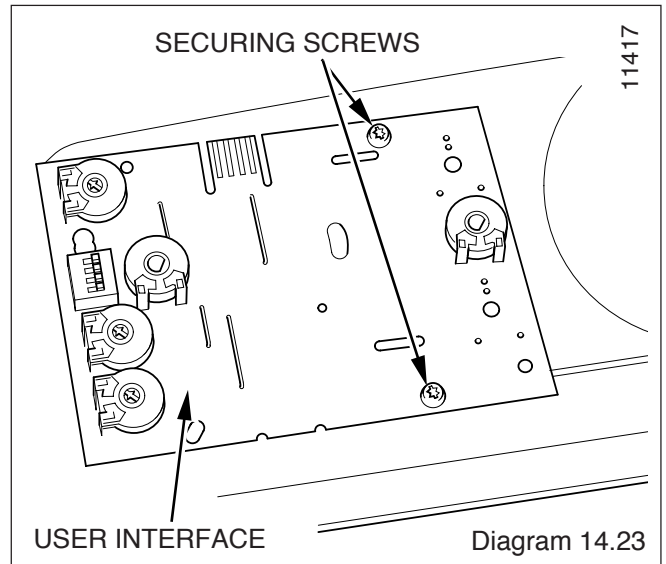
### 14.36 230V Controls Interface

For access, refer to section 14.29.

Disconnect the electrical connection from the 230V controls board and the electrical connection from the Main PCB, see diagram 14.24.

Remove the 230V controls interface retaining screw.

Remove the 230V controls interface board.



## 15 Spare Parts

When ordering spare parts, contact Glow-worm's own service organisation using the telephone number on the front cover of this booklet.

Please quote the name of the appliance and serial number, to be found on the data label, see diagram 1.2.

If ordering from British Gas also quote the G.C. number of the part.

Key No.	Part No.	Description	GC Part No.
1	801724	Overheat Thermostat	E83996
2	801911	Pressure Sensor	E83997
3	801637	Spark Electrode	E83999
4	2000801904	Safety Discharge Valve	E84000
5	2000801898	Automatic Air Vent	E84001
6	2000801897	Central Heating Filter	E84002
7	801722	Heating flow thermistor /Heating return thermistor	E84003
8	801649	Gas valve	E84004
9	2000802779	Mains Reset Switch	H20701
10	801655	Igniter Unit	E84015
11	2000801909	By-pass	E84016
12	2000801923	230V Controls Interface	E84018
13	2000802731	Main PCB	
14	2000801380	Pump (head only)	E77408
15	801645	Fan	
16	2000802661	User Interface - 18sxi	E84024
16	2000802642	User Interface - 30sxi	
17	801632	Burner - 18sxi	E84021
17	801702	Burner - 30sxi	E84249

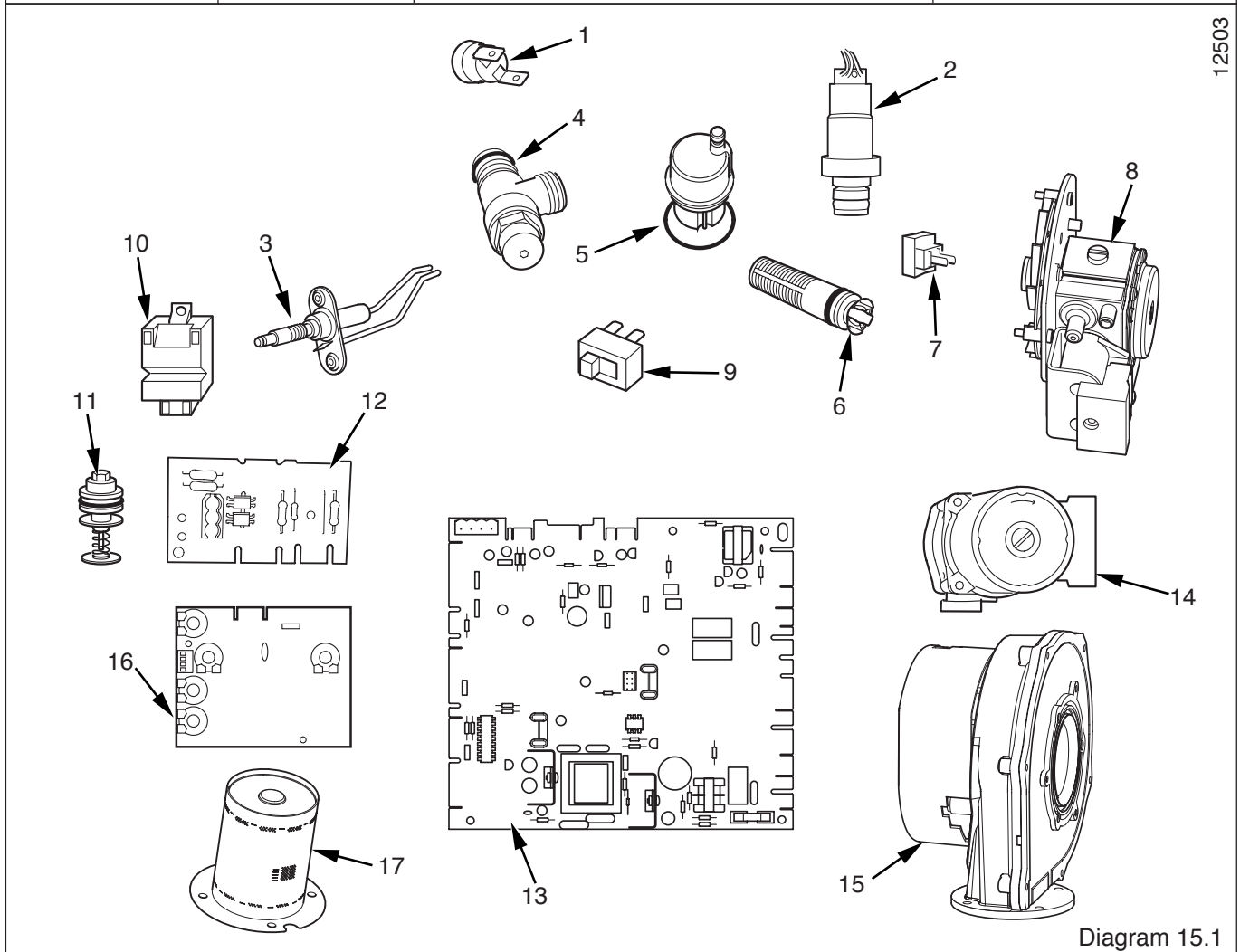


Diagram 15.1

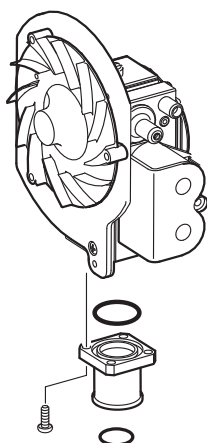
*Because of our constant endeavour for improvement, details may vary slightly from those shown in these instructions.*

# GAS VALVE(DUNGS)

## IMPORTANT NOTES

**THESE INSTRUCTIONS SUPERCEDE THE GAS VALVE SETTING PROCEDURE CONTAINED WITHIN THE ORIGINAL APPLIANCE LITERATURE.**

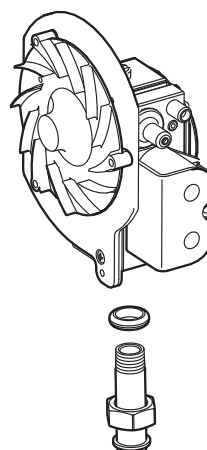
**If the burner door is removed during the gas valve replacement a new door seal must be fitted.  
Burner Door Seal kit - Part No. 801635**



**MODEL**

24 & 30 ultracom cx  
24 & 30 ultracom cxi  
18 & 30 ultracom sxi  
18 & 30 sxi  
24 & 30cxi

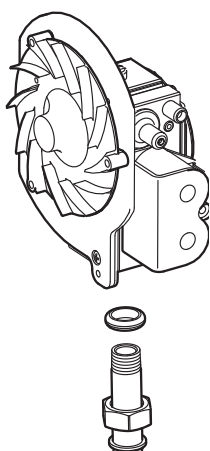
**KIT Pt. No. 2000802664**  
6mm white scroll incl.  
Brass Flange adaptor, 4  
off screws, 2 "O" rings



**MODEL**

12 – 30 hxi  
12 – 30 ultracom hxi

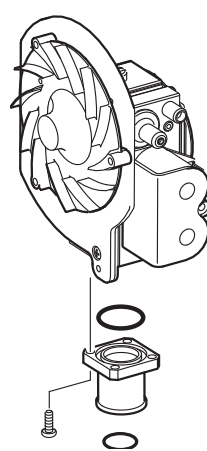
**KIT Pt. No 2000802442**  
6mm white scroll  
incl. Brass liner  
and grommet



**MODEL**

38 hxi  
38 ultracom hxi  
BG330

**KIT Pt. No 2000802452**  
12mm grey scroll  
incl. Brass liner  
and grommet



**MODEL**

38 cxi  
38 ultracom cxi  
Xtramax HE

**KIT Pt. No. 0020018823**  
12mm grey scroll incl.  
Brass Flange adaptor,  
4 off screws, 2 "O" rings

**Technical Helpline: 01773 828300**

Glow-worm, Nottingham Road, Belper, Derbyshire. DE56 1JT  
www.glow-worm.co.uk

## Requirements

It is the Law that any replacement of parts is carried out by a competent person approved at the time by the Health and Safety Executive.

Before commencing with the replacement of a part the boiler should be isolated from the electrical supply and the gas supply should be turned off at the gas isolation valve.

When replacing a part, use only spare parts that you can be assured conform to the safety and performance specification that we require. Do not use reconditioned or copy parts that have not been clearly authorised by Glow-worm.

After electrical connections have been made, checks to the earth continuity, polarity, short circuit and resistance to earth must be repeated using a suitable multimeter.

Unless stated otherwise, parts are replaced in the reverse order to their removal.

After replacing these parts you MUST always test for gas soundness and carry out functional test of the controls and check the following:

## General Inspection

After the replacement of a part, the following must be checked.

- The integrity of the flue system and flue seals.
  - The integrity of the appliance combustion circuit and relevant seals.
  - Electrical, gas and water connections.
  - System pressure.
  - the combustion performance, operational gas inlet pressure and gas rates.
- refer to the following procedure.

## ALL MODELS

Refer to the installation and servicing instructions supplied with your boiler to fit the replacement gas valve.

### IMPORTANT. If the Burner Door was Removed

Fit the new combustion door seal kit fitted in accordance with the instructions provided.

### Re-assembly

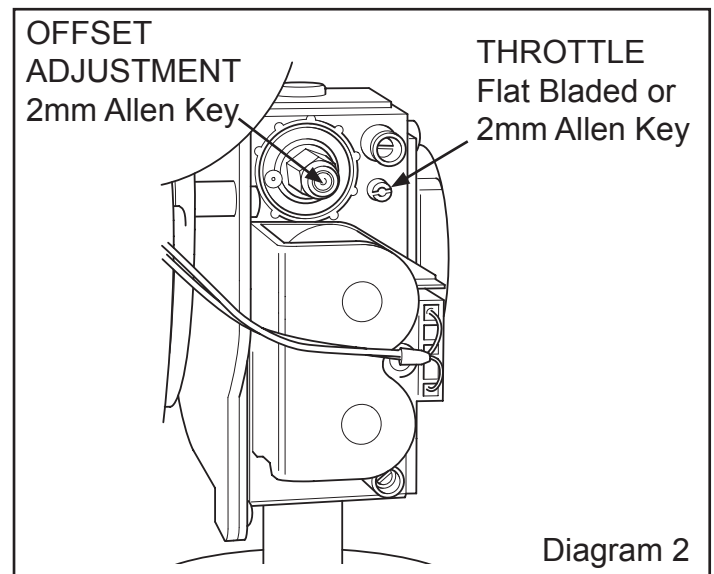
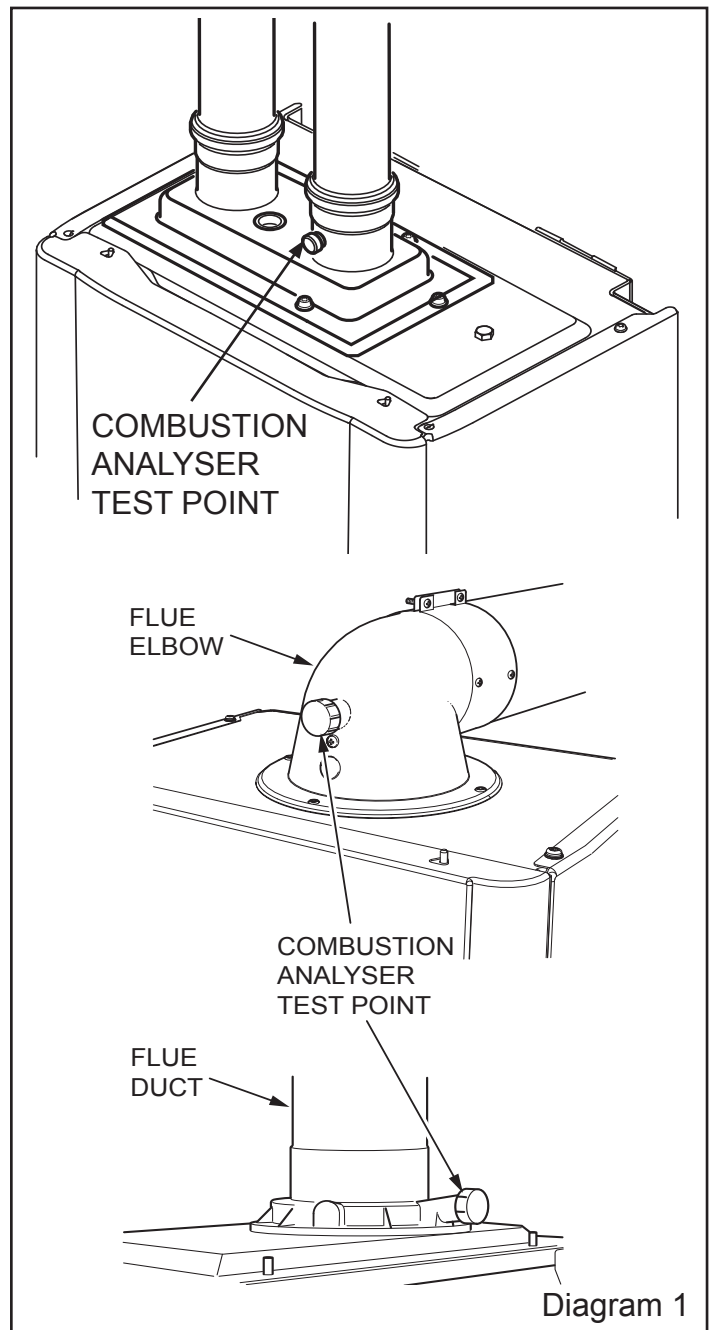
After assembly test for gas soundness and purge in accordance with the current issue of BS6891 or in IE, the current edition of I.S.813 "Domestic Gas Installations". Do not fit the inner or front case until the commissioning has been carried out as described in the following sections.

## COMPETENCY TO CARRY OUT THE CHECK OF COMBUSTION PERFORMANCE

**NOTE:** BS 6798: 2009 Specification for installation and maintenance of gas-fired boilers of rated input not exceeding 70kW net advises that:

- The person carrying out a combustion measurement must be assessed as competent in the use of a flue gas analyser and the interpretation of the results.
- The flue gas analyser used should be one meeting the requirements of BS7927 or BS-EN50379-3 and be calibrated in accordance with the analyser manufacturers' requirements.
- Competence can be demonstrated by satisfactory completion of the CPA1 ACS assessment, which covers the use of electronic portable combustion gas analysers in accordance with BS 7967, parts 1 to 4.
- Ensure that the gas analyser is set to the correct fuel setting.

**NOTE:** Safe combustion can only be verified by measuring CO/CO<sub>2</sub> ratio. This must not exceed the value shown in the table on the back page.



## LPG MODELS - ONLY

Refer to diagram 2 and turn the gas valve throttle fully clockwise, then turn the throttle anti-clockwise by the number of turns shown in the table on the back page. Please refer to the specific instruction relating to your model.

1. Turn on the electrical supply.
2. Ensure external controls are calling for heat.
3. Turn on the gas supply.
4. Turn on the appliance.
5. The boiler should fire automatically.

### NOTE: LPG MODELS

If the appliance does not light & goes to lockout (F1), turn the throttle anti-clockwise 1 full turn. Reset the appliance. The appliance will (after a short delay) again attempt to fire. If necessary, repeat this procedure up to a total of 2 extra turns on the throttle screw, until the appliance lights. Several ignition attempts may be needed, to purge gas through the appliance, before a successful ignition is achieved.

## ALL MODELS

With the appliance cold.  
Connect a CO<sub>2</sub> combustion analyser to the appropriate test point, see diagrams 1.

### Maximum Rate Check and Adjustment

Refer to the instructions supplied with your appliance and set the maximum rate.

Check and adjust CO<sub>2</sub> as necessary.

**NOTE: Adjustment is made by turning the throttle an 1/8 of a turn, waiting 1 minute to allow the appliance to stabilise before checking or making further adjustments.**

- Rotate the "throttle" (anti-clockwise to increase), to the required CO<sub>2</sub>, refer to diagram 2 and the "SETTING" column in the table.
- Now proceed to check the minimum rate adjustment. Set appliance to minimum rate.

### Minimum Rate Check and Adjustment

Refer to the instructions supplied with your appliance and set the minimum rate.

Check and adjust CO<sub>2</sub> as necessary.

Adjustment is made by turning the offset adjustment, see diagram 2.

If adjustment is necessary, proceed as follows:

**NOTE: Adjustment of the CO<sub>2</sub> at minimum rate is very coarse and should not be adjusted more than an 1/8 of a turn at a time. Wait 1 minute to allow the appliance to stabilise before checking or making further adjustments.**

- Gradually rotate the "offset adjustment" (anti-clockwise to decrease) to the required CO<sub>2</sub>, refer to diagram 2 and the "SETTING" column in the table.

### Re-Check CO<sub>2</sub> and check the CO/CO<sub>2</sub> combustion ratio.

- Re-check the maximum and minimum CO<sub>2</sub> values to ensure that they are within the "setting" limits in the table then check the CO/CO<sub>2</sub> combustion ratio does not exceed the value in the CO/CO<sub>2</sub> column of the table. If the CO/CO<sub>2</sub> setting exceeds the value in the table, a complete servicing of the appliance will be necessary, refer to the servicing instructions

### Check the Gas Inlet Pressure and Gas Rate

On completion, test the gas installation for tightness using the pressure drop method and suitable leak detection fluid, purge in accordance with the above standard.

**NOTE:** Due to the modulating operation of the boiler and the need to check the gas inlet pressure and measure the gas rate at maximum rate, it will be necessary to force it to maximum.

### Operational Gas Inlet Pressure

With ALL other gas appliances operating, check the operational supply pressure at the gas service isolation valve test point, refer to your Installation literature supplied with your appliance.

The nominal supply pressure for Natural Gas (G20) is 20mbar.

The nominal supply pressure for LPG (G31) is 37mbar.

Turn the taps and appliances off, then disconnect the pressure gauge.

Additionally the safe nominal maximum heat input of the appliance can be achieved at an inlet pressure down to 15mbar.

**NOTE:** The BURNER PRESSURE cannot be measured and is not used to measure the gas rate.

### Gas Rate

Make sure that ALL other gas burning appliances and pilot lights are off.

Check the gas rate using the gas meter test dial and stop watch, at least 10 minutes after the burner has lit, see table below for approximate rates.

In communal or LPG installations where the gas rate cannot be measured it is acceptable to measure the combustion rate as described in the servicing section.

On completion, reset the boiler to normal operation by referring to the Installation and Servicing Instructions.

### Completion

If it is not possible to achieve the required results for either the combustion or gas rates, it will be necessary to complete a full service of the appliance and then repeat the combustion check procedure. If after servicing and adjustment of the appliance the combustion values are still unacceptable and after further remedial work has been carried out, the appliance must be disconnected until the CO/CO<sub>2</sub> ratio is acceptable. Advice can be sought from the Glow-worm Technical Helpline.



# % CO<sub>2</sub> TABLE

Models	SETTING Nat. Gas G20 - Case Off	SETTING Propane G31 - Case Off	Throttle turns	CO/CO <sub>2</sub>
Glow-worm 24cxi	9.1%CO <sub>2</sub> (+0.2% -0.5%)	N/A	N/A	N/A
Glow-worm 30cxi	9.1%CO <sub>2</sub> (+0.2% -0.5%)	10.5%CO <sub>2</sub> (+0.2% -0.2%)	5½	0.004
Glow-worm 38cxi	8.8%CO <sub>2</sub> (+0.2% -0.5%)	N/A	N/A	N/A
Glow-worm 18sxi	9.1%CO <sub>2</sub> (+0.2% -0.5%)	N/A	N/A	N/A
Glow-worm 30sxi	9.1%CO <sub>2</sub> (+0.2% -0.5%)	10.5%CO <sub>2</sub> (+0.2% -0.2%)	5½	0.004
Glow-worm 12hxi	9.1%CO <sub>2</sub> (+0.2% -0.5%)	N/A	N/A	N/A
Glow-worm 15hxi	9.1%CO <sub>2</sub> (+0.2% -0.5%)	N/A	N/A	N/A
Glow-worm 18hxi	9.1%CO <sub>2</sub> (+0.2% -0.5%)	N/A	N/A	N/A
Glow-worm 24hxi	9.1%CO <sub>2</sub> (+0.2% -0.5%)	N/A	N/A	N/A
Glow-worm 30hxi	9.1%CO <sub>2</sub> (+0.2% -0.5%)	10.5%CO <sub>2</sub> (+0.2% -0.2%)	5½	0.004
Glow-worm 38hxi	8.8%CO <sub>2</sub> (+0.2% -0.5%)	N/A	N/A	N/A
BG 330	9.1%CO <sub>2</sub> (+0.3% -0.3%)	N/A	N/A	N/A
Ultracom 24cx	9.1%CO <sub>2</sub> (+0.2% -0.5%)	10.0%CO <sub>2</sub> (+0.0% -0.9%)	5¼	0.004
Ultracom 30cx	9.1%CO <sub>2</sub> (+0.2% -0.5%)	10.5%CO <sub>2</sub> (+0.3% -0.7%)	5½	0.004
Ultracom 24cxi	9.1%CO <sub>2</sub> (+0.2% -0.5%)	10.0%CO <sub>2</sub> (+0.0% -0.9%)	5½	0.004
Ultracom 30cxi	9.1%CO <sub>2</sub> (+0.2% -0.5%)	10.5%CO <sub>2</sub> (+0.3% -0.7%)	5½	0.004
Ultracom 38cxi	8.8%CO <sub>2</sub> (+0.2% -0.5%)	9.8%CO <sub>2</sub> (+0.2% -0.8%)	8	0.004
Ultracom 18sx	9.1%CO <sub>2</sub> (+0.2% -0.5%)	10.1%CO <sub>2</sub> (+0.0% -1.0%)	5	0.004
Ultracom 30sx	9.1%CO <sub>2</sub> (+0.2% -0.5%)	10.5%CO <sub>2</sub> (+0.3% -0.8%)	5½	0.004
Ultracom 12hxi	9.1%CO <sub>2</sub> (+0.2% -0.5%)	10.1%CO <sub>2</sub> (+0.0% -0.8%)	5	0.004
Ultracom 15hxi	9.1%CO <sub>2</sub> (+0.2% -0.5%)	10.1%CO <sub>2</sub> (+0.5% -0.5%)	5¼	0.004
Ultracom 18hxi	9.1%CO <sub>2</sub> (+0.2% -0.5%)	10.1%CO <sub>2</sub> (+0.0% -1.0%)	5	0.004
Ultracom 24hxi	9.1%CO <sub>2</sub> (+0.2% -0.5%)	10.1%CO <sub>2</sub> (+0.3% -0.8%)	5¼	0.004
Ultracom 30hxi	9.1%CO <sub>2</sub> (+0.2% -0.5%)	10.5%CO <sub>2</sub> (+0.3% -0.8%)	5½	0.004
Ultracom 38hxi	8.8%CO <sub>2</sub> (+0.2% -0.5%)	9.8%CO <sub>2</sub> (+0.2% -0.8%)	8	0.004
Xtramax HE	9.0%CO <sub>2</sub> (+0.2% -0.2%)	10.1%CO <sub>2</sub> (+0.2% -0.2%)	5½	0.004

Models	GAS RATES - Nat. Gas G20		GAS RATES - Propane G31	
	MAX m <sup>3</sup> /h	ft/h	MAX kg/hr	
Glow-worm 24cxi	2.24	79	-	-
Glow-worm 30cxi	2.80	99	-	-
Glow-worm 38cxi	3.6	127	-	-
Glow-worm 18sxi	2.0	71	-	-
Glow-worm 30sxi	3.0	107	-	-
Glow-worm 12hxi	1.30	46	-	-
Glow-worm 15hxi	1.63	57	-	-
Glow-worm 18hxi	2.24	99	-	-
Glow-worm 24hxi	2.46	87	-	-
Glow-worm 30hxi	2.80	99	-	-
Glow-worm 38hxi	3.6	127	-	-
BG 330	1.9	66.4	-	-
Ultracom 24cx	2.24	79	-	1.88
Ultracom 30cx	2.80	99	-	2.34
Ultracom 24cxi	2.24	79	-	1.88
Ultracom 30cxi	2.8	99	-	2.34
Ultracom 38cxi	4.06	143	-	2.98
Ultracom 18sx	2.0	71	-	0.48
Ultracom 30sx	3.0	107	-	0.48
Ultracom 12hxi	1.29	45.6	-	0.48
Ultracom 15hxi	1.61	57	-	0.48
Ultracom 18hxi	2.00	70.6	-	1.47
Ultracom 24hxi	2.58	91.1	-	1.90
Ultracom 30hxi	3.02	107	-	2.22
Ultracom 38hxi	4.06	143	-	2.98
Xtramax HE	3.62	128	-	2.66

*Because of our constant endeavour for improvement, details may vary slightly from those shown in these instructions.*

