



STUDIO

Balanced Flue - Stone Chippings and Log

Instructions for Use, Installation and Servicing

For use in GB, IE (Great Britain and Eire)

IMPORTANT

This product contains a Heat resistant glass panel. This panel should be checked during Installation and at each servicing interval. If any damage is observed on the front face of the glass panel (scratches, scores, cracks or other surface defects), the glass panel must be replaced and the appliance must not be used until a replacement is installed. Under no circumstances should the appliance be used if any damage is observed, the glass panel is removed or broken.

Parts of this appliance will become hot during operation; it is therefore recommended that a suitable guard should be used for protection of young children, the elderly or infirm.

This appliance is guaranteed for 2 years (subject to the conditions on page 3 of this Instruction manual). The second year of the guarantee will only be valid if the annual service recommended in this Instruction manual has been completed by a Gas Safe registered engineer, and a copy of the service report is available for inspection by a Gazco engineer.

These Instructions must be left with the appliance for future reference and for consultation when servicing the appliance. Please make the customer aware of the correct operation of the appliance before leaving these instructions with them.

The commissioning sheet found on Page 3 of this Instruction manual must be completed by the Installer prior to leaving the premises.

COVERING THE FOLLOWING MODEL:

Studio 1 Balanced flue:

8700BFCHEC
P8700BFCHEC
8700BFLEC
P8700BFLEC

Studio 2 Balanced flue:

8701BFCHEC
P8701BFCHEC
8701BFLEC
P8701BFLEC

Studio 3 Balanced flue:

8702BFCHEC
P8702BFCHEC

PAGE

APPLIANCE COMMISSIONING CHECKLIST

3

USER INSTRUCTIONS

4

INSTALLATION INSTRUCTIONS

12

Technical Specifications - Stone Chippings Version

12

Technical Specifications - Log Version

12

Site Requirements

14

Installation

20

Commissioning

33

SERVICING INSTRUCTIONS

34

Fault Finding

34

How to replace parts

36

Basic spare parts list - Stone Chippings Version

43

Basic spare parts list - Log Version

44

Service Records

45

APPLIANCE COMMISSIONING CHECKLIST

IMPORTANT NOTICE

Explain the operation of the appliance to the end user, hand the completed instructions to them for safe keeping, as the information will be required when making any guaranteed claims.

FLUE CHECK	PASS	FAIL
1. Flue is correct for appliance		
2. Flue flow test N/A		
3. Spillage test N/A		
GAS CHECK		
1. Gas soundness & let by test		
2. Standing pressure test	mb	
3. Appliance working pressure (on High Setting) NB All other gas appliances must be operating on full	mb	
4. Gas rate	m ³ /h	
5. Does ventilation meet appliance requirements N/A		

DEALER AND INSTALLER INFORMATION

Dealer

Installation Company

.....

.....

.....

.....

Contact No.....

Engineer

Date of Purchase.....

Contact No.....

Model No.....

Gas Safe Reg No.

Serial No.....

Date of Installation

Gas Type.....

This product is guaranteed for 2 years from the date of installation, as set out in the terms and conditions of sale between Gazco and your local Gazco dealer. **This guarantee will be invalid, to the extent permitted by law, if the above Appliance Commissioning Checklist is not fully completed by the installer and available for inspection by a Gazco engineer.** The guarantee will only be valid during the second year, to the extent permitted by law, if the annual service recommended in the Instructions for Use has been completed by a Gas Safe registered engineer, and a copy of the service visit report is available for inspection by a Gazco engineer.

USER INSTRUCTIONS

1. GENERAL

In the event of a gas escape or if you can smell gas, please take the following steps:

- Immediately turn off the gas supply at the meter/emergency control valve
- Extinguish all sources of ignition
- Do not smoke
- Do not operate any electrical light or power switches (On or Off)
- Ventilate the building(s) by opening doors and windows
- Ensure access to the premises can be made

Please report the incident immediately to the National Gas Emergency Service Call Centre on 0800 111 999 (England, Scotland and Wales) , 0800 002 001 (N. Ireland) or in the case of LPG, the gas supplier whose details can be found on the bulk storage vessel or cylinder.

The gas supply must not be used until remedial action has been taken to correct the defect and the installation has been recommissioned by a competent person.

- 1.1 Installation and servicing must only be carried out by a competent person whose name appears on the Gas Safe register. To ensure the engineer is registered with Gas Safe they should possess an ID Card carrying the following logo:



- 1.2 In all correspondence, please quote the appliance type and serial number, which can be found on the data badge located on a plate attached to the lower slotted trim, Diagram 5 *Installation Section*.
- 1.3 **Do not** place curtains above the fire: You must have 300mm (1') clearance between the fire and any curtains at either side.
- 1.4 If any cracks appear in the glass panel do not use the appliance until the panel has been replaced.
- 1.5 In the unlikely event the appliance is receiving interference from other electronic devices, the handset/Control box can be reprogrammed. Please consult your dealer if you think this may be the case.
- 1.6 If, for any reason, the flue has to be removed from the appliance, the seals must be replaced in the inner spigot.
- 1.7 Do not obstruct the flue terminal in any way, i.e. by planting flowers, trees shrubs etc in the near vicinity, or by leaning objects up against the terminal guard.

- 1.8 Do not use a garden sprinkler or hose near the terminal.
- 1.9 This product is guaranteed for 2 years from the date of installation, as set out in the terms and conditions of sale between Gazco and your local Gazco dealer. Please consult with your local Gazco dealer if you have any questions. In all correspondence always quote the Model Number and Serial Number.

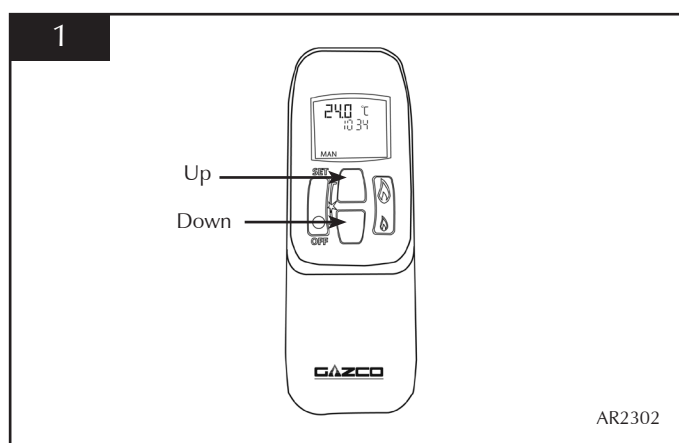
IMPORTANT : NEVER position an LCD/Plasma TV above this fire.

2. LIGHTING THE APPLIANCE

There are two ways of lighting the appliance:

- by thermostatic remote control, see 2A
- using the fire's touch pad, see 2B

2A - THERMOSTATIC and TIMER REMOTE CONTROL



Turning the appliance On

Your remote can control the gas fire from pilot ignition through to shut down.

To turn the fire on:

- Press the OFF button and the UP button simultaneously. You hear several short signals.

The pilot and main burner ignite and the remote is now in Manual Mode:

In 'MANUAL MODE' you can:

- turn on the main burner using the UP button
- regulate the flame from high to low and back
- turn off the burner leaving just the pilot burning

In 'TEMP MODE' (Automatic) you can:

- set the room temperature so the thermostat in the remote automatically maintains that temperature

In 'TIMER MODE' (Automatic) the fire:

- turns on and off according to the set time periods
- automatically regulates the room temperature during the set periods

USER INSTRUCTIONS

**NOTE: WHEN OPERATING THE FIRE IN TEMP OR TIMER MODE, THE PILOT REMAINS LIT AND THE FIRE THEN AUTOMATICALLY SWITCHES ON AT PROGRAMMED TIMES TO BRING THE ROOM TO THE SET TEMPERATURE WHETHER OR NOT YOU ARE IN THE ROOM.
NEVER LEAVE ANY COMBUSTIBLE MATERIALS WITHIN 1 METRE OF THE FRONT OF THE APPLIANCE.**

2.1 SWITCHING BETWEEN MODES

- Press the SET button to change to Temperature Mode
- Press again to change to Timer Mode
- Keep pressing to run through all operating modes. These are:
 - MAN
 - DAY TEMP
 - NIGHT TEMP
 - TIMERand back to MAN

NOTE: MAN mode can also be reached by pressing either the UP or DOWN button

2.2 MAN MODE

- Press the OFF button and the UP button simultaneously. You hear several clicks and audible beeps as the fire begins the ignition process, (up to 30 seconds)

Turning the appliance Off

- Press the OFF button to turn the appliance off

FOR SAFETY, YOU MUST WAIT 30 SECONDS BEFORE LIGHTING THE FIRE AGAIN.

INCREASE FLAME HEIGHT

- Press the UP button once to increase flame height one stage. Press and hold the UP button to increase to maximum

DECREASE FLAME HEIGHT

- Press the DOWN button once to decrease flame height one stage. Press and hold the DOWN button to decrease to minimum. At the lowest point the fire goes to 'Standby Mode' (Only Pilot lit)

NOTE: While pressing a button a symbol indicating transmission appears on the display. The receiver confirms transmission with a sound signal.

2.3 TEMP MODE (AUTOMATIC)

The display shows the current **room** temperature. To increase or decrease the fire's output:

- Press the SET button to select either the DAY TEMP or the NIGHT TEMP mode by briefly pressing the SET button
- Hold the SET button until the TEMP display flashes and then let go
- Set the desired temperature with the UP and DOWN arrows. (Minimum temperature 5C, maximum 40C or 40F to 99F when fahrenheit is the preferred option)
- Press the OFF button to stop the display flashing or wait to return to TEMP mode.

NOTE: If you set a temperature that is beneath the current room temperature, the fire automatically switches to PILOT (Stand by).

NOTE: If you would like the NIGHT temperature control to turn off then decrease the temperature until [--] is displayed.

2.4 TIMER MODE (AUTOMATIC)

There are two programmable settings you can make over a 24 hour period, P1 and P2. These are normally used to provide an early morning and evening setting for each working week:

- P1 + ● = Start Timed Setting 1
- P1 + ⤴ = End of Timed Setting 1
- P2 + ● = Start Timed Setting 2
- P2 + ⤴ = End of Timed Setting 2

2.4.1 P1 - Program 1 for a Timed Setting

- Press the SET button until the TIMER mode is displayed
- Hold the SET button. The display flashes the current time for P1. **While the time displayed is flashing you can alter the hours and minutes set.**

To set the time your fire first lights, change P1 ●

- Press the UP button to alter the hour
- Press the DOWN button to alter the minutes in 10 minute increments
- Press SET again to move to the end setting for P1 ⤴ This is the time your Studio first shuts down:
 - Press the UP button to alter the hour
 - Press the DOWN button to alter the minutes

2.4.2 P2 - Program 2 for a Timed Setting

Use the same steps outlined in 2.4.1 to change the setting for P2.

If you have already set P1 and want to alter the setting for P2 only:

- Press the SET button until TIMER mode is displayed
- Hold the SET button **until the display flashes the current time** for P1 ●
- Press the SET button once again to scroll past the settings for P1 ● and P1 ⤴

With the time s t i l l flashing:

- Press the UP button to alter the hour
- Press the DOWN button to alter the minutes

Once all four times are set press the OFF button.

2.4.3 To view existing settings:

- Select Timer Mode
- Press and briefly hold the SET button you see the start time for P1
- Repeat the above step for the start and end of each program.

2.5 LOW BATTERY

"BATT" is displayed on the remote when its batteries need replacement.

2.6 SETTING THE TIME

- Simultaneously press the up and down buttons
- Press the up button to set the hour and the down button to set the minutes
- Press OFF to return to the manual mode or simply wait

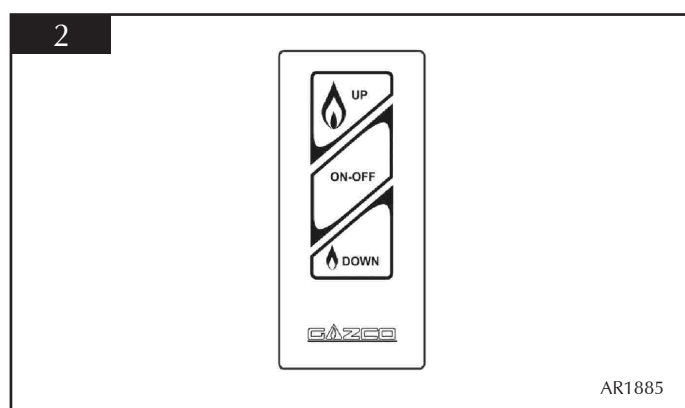
USER INSTRUCTIONS

2.7 SETTING THE °C/24 HOUR OR °F/12 HOUR CLOCK

- Press OFF and the down arrow until the display changes from °C/24 hour clock to °F/12 hour clock and vice versa.

If the remote is removed, lost or damaged, signals transmitted to the receiver cease. Your fire will go to standby (pilot) mode after 6 hours.

2B - TOUCH PAD CONTROL

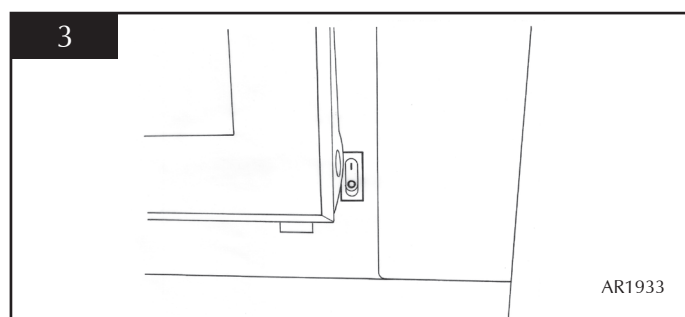


Press the ON-OFF button to light the appliance (up to 30 seconds). The UP button to increase the flame height. Press the DOWN button to decrease the flame height. At the lowest point it goes to 'standby mode', (only pilot lit). Press the ON-OFF button again to turn the appliance off

EMERGENCY SHUT OFF

If the batteries fail during use of the fire, move the switch to the OFF (O) position, Diagram 3

(This switch is set to be ON during normal operation and must remain ON)



3. CLEANING THE STUDIO

3.1 Make sure the fire and surrounds are cool before cleaning..

Use:

- A dry cloth or stainless steel product to clean the polished plate
- A damp cloth for the painted frame
- A damp cloth to clean the granite/enamelled inner panels

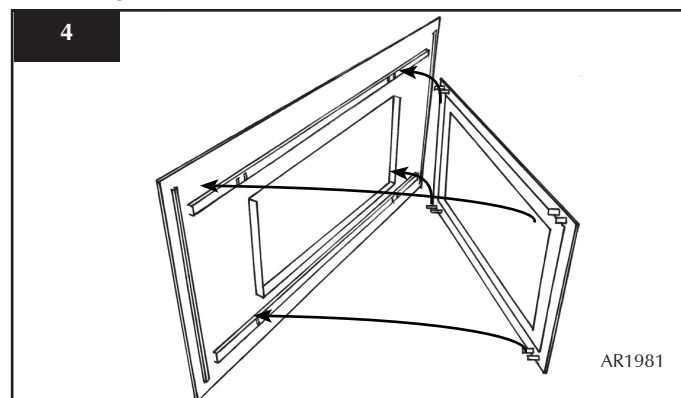
- Use soap and water to clean the glass

3.2 Opening the Glass Window

3.2.1 Steel Frame

[If fitted with a Steel Frame, this needs to be removed first:

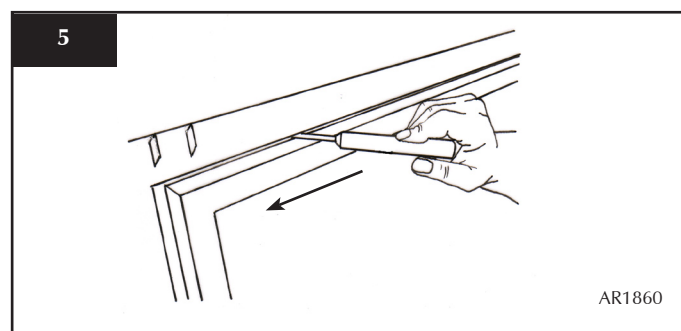
- Lift the frame upwards off its four support brackets, Diagram 4



3.3 All models

Using the allen key provided:

- Release the window locks at the top of the glass door, Diagram 5. The locks move from shut to open towards the outer edges of the glass door, Diagram 5



- Support the frame and let it fall gently forward
- Open it down to its stop position

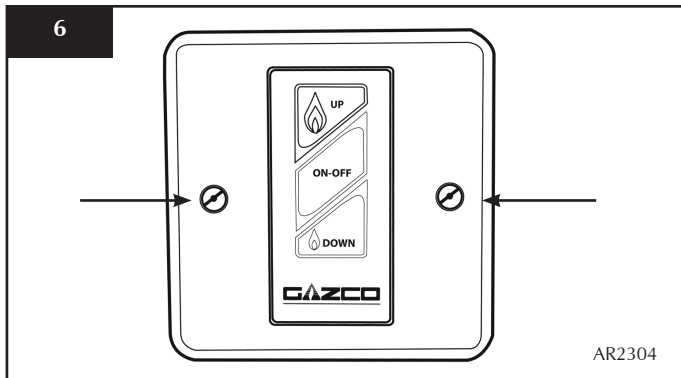
When closing the window ensure the window catches are fully engaged.

4. CHANGING THE STUDIO BATTERIES

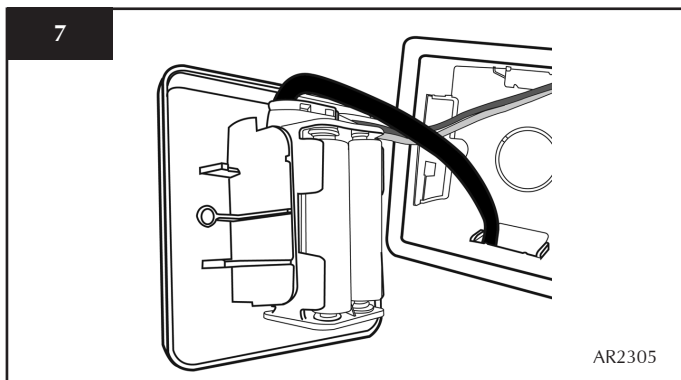
The appliance batteries are located behind the wall switch plate.

4.1 Undo the two screws securing the wall switch and plate and remove, Diagram 6

USER INSTRUCTIONS



- 4.2 Unclip the battery holder from the wall switch and remove the old batteries.
- 4.3 Correctly position the four new AA size batteries into the battery holder. Re-assemble the battery holder as shown in Diagram 7



PLEASE ENSURE NO WIRES ARE TRAPPED BEFORE REPLACING THE WALL PLATE. THE TOUCH PAD LEAD IS EASILY DAMAGED

5. ARRANGEMENT OF FUEL BED

ADVICE ON HANDLING AND DISPOSAL OF FIRE CERAMICS

The fuel effect of the log version in this appliance is made from Refractory Ceramic Fibre (RCF), a material which is commonly used for this application.

Protective clothing is not required when handling these articles, but we recommend you follow normal hygiene rules of not smoking, eating or drinking in the work area and always wash your hands before eating or drinking.

To ensure that the release of RCF fibres are kept to a minimum, during installation and servicing a HEPA filtered vacuum is recommended to remove any dust accumulated in and around the appliance before and after working on it.

When servicing the appliance it is recommended that the replaced items are not broken up, but are sealed within heavy duty polythene bags and labelled as RCF waste.

RCF waste is classed as stable, non-reactive hazardous waste and may be disposed of at a licensed landfill site.

Excessive exposure to these materials may cause temporary irritation to eyes, skin and respiratory tract; wash hands thoroughly after handling the material.

- 5.1 **Stone Chippings:** If you need to replace stone chippings and refill the tray, make sure the stone chippings are flattened so they are level with the rim of the tray.
- 5.2 **Vermiculite for Logs Layout:** Use the entire bag of supplied Vermiculite.

TAKE CARE NOT TO SPILL STONE CHIPPINGS OR VERMICULITE INTO THE PILOT AREA. ONLY STONE CHIPPINGS OR VERMICULITE SUPPLIED BY GAZCO CAN BE USED IN THIS FIRE.

6. LOG LAYOUT

LOGS MUST BE POSITIONED ACCORDING TO THE FOLLOWING INSTRUCTIONS TO GIVE THE CORRECT FLAME EFFECT

- 6.1
- Use all the vermiculite to fill the burner tray and spread evenly across the whole burner
 - Rest the ceramic bark against the front face of the pilot shield, Diagram 8

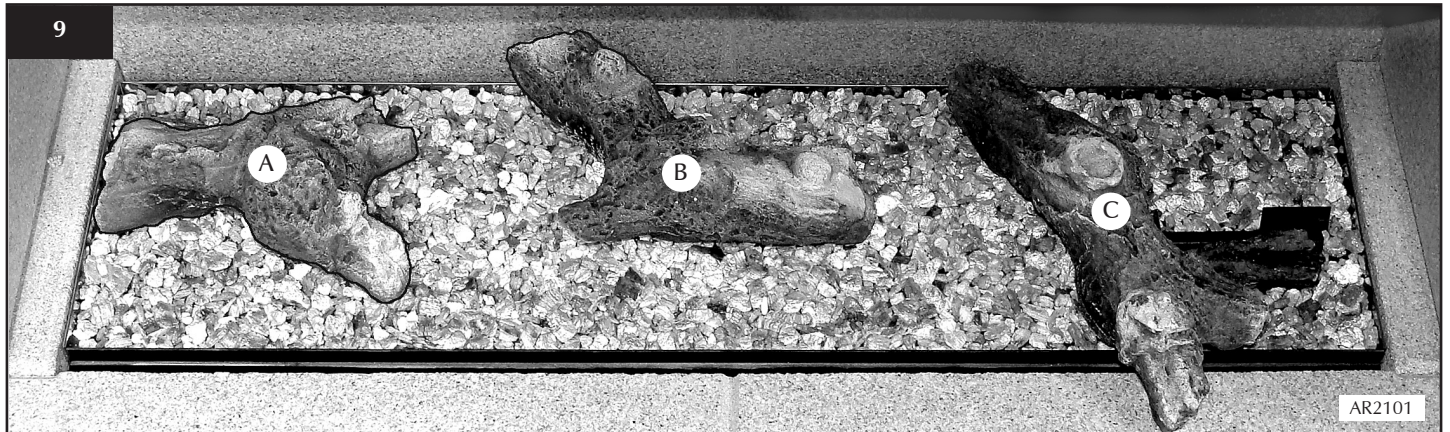


USER INSTRUCTIONS

All logs can be identified by a letter (A - H) on their underside. The first three logs, A, B and C, also have holes to locate each onto a burner stud.

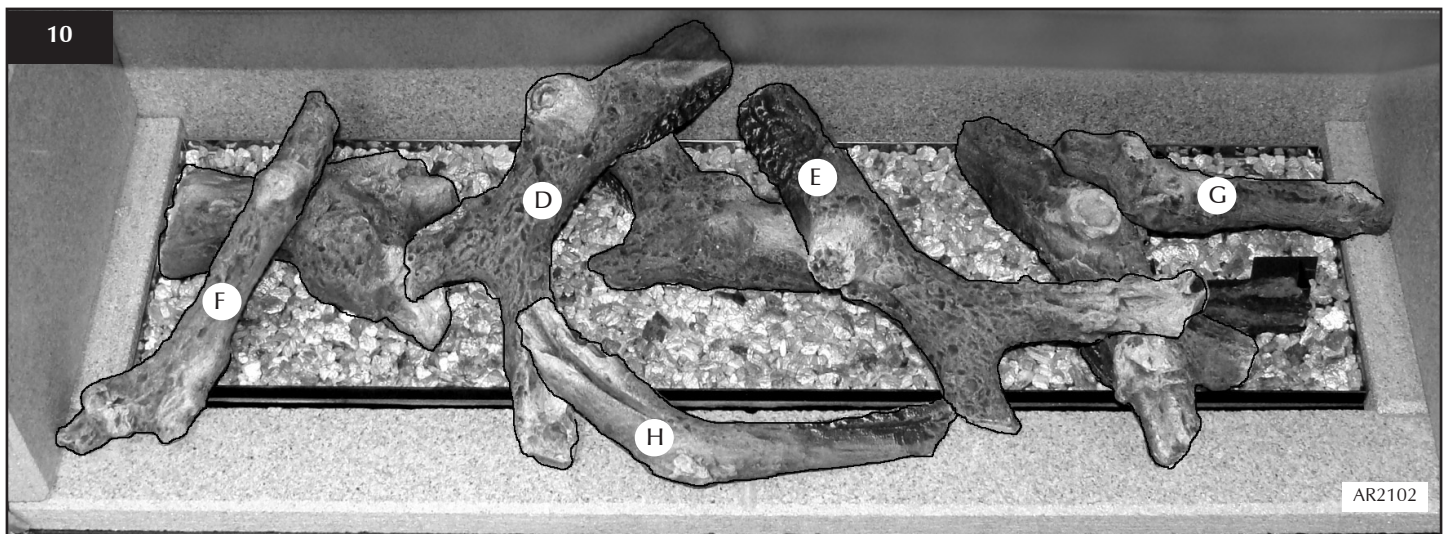
6.2 Working from left to right:

- Place logs A, B and C onto their studs as illustrated in Diagram 9



6.3 Diagram 10 shows the layout of logs D to H:

- Log D has a recess on the underside to fit onto the stud of Log B at the back left. The small branch of the log rests on Log A.
- A recess in the back of Log E fits the stud on Log B and its long branch rests snugly behind a wood knot of Log C



- Log F fits centrally onto Log A with its front edge resting on the front panel
- Log G is centrally positioned around the moulded wood knot of Log C and rests against the right side panel crossing the pilot shield beneath
- The small branch underneath Log H rests on the front panel and overlaps Log D just touching Log E

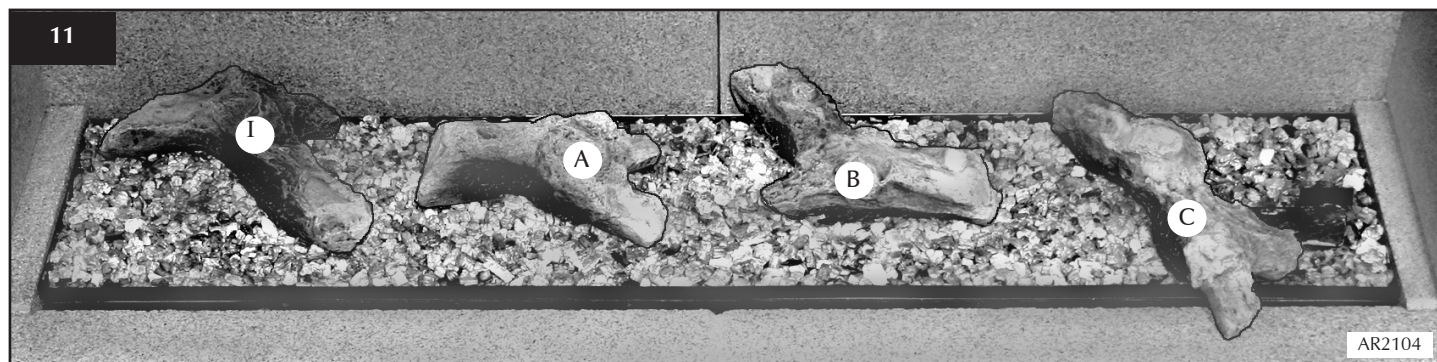
LAYOUT FOR STUDIO 2

6.4 Preparation with vermiculite and the ceramic bark pilot shield is the same as for Studio 1, see paragraph 6.1 above.

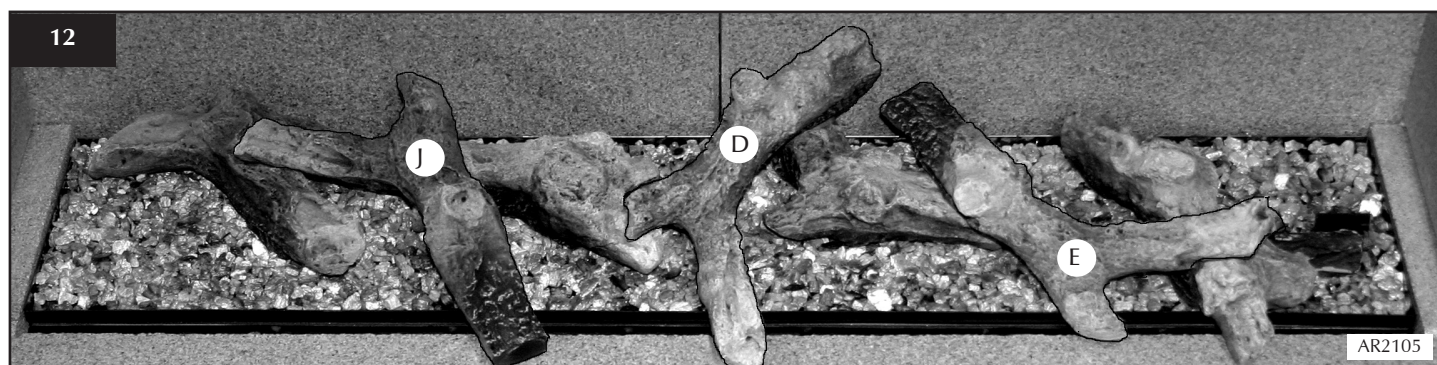
All logs can be identified by the letters (A - J) on their underside. The first four logs, I, A, B and C also have holes to locate each onto a burner stud.

- Place logs I, A, B and C onto their studs as illustrated in Diagram 11

USER INSTRUCTIONS

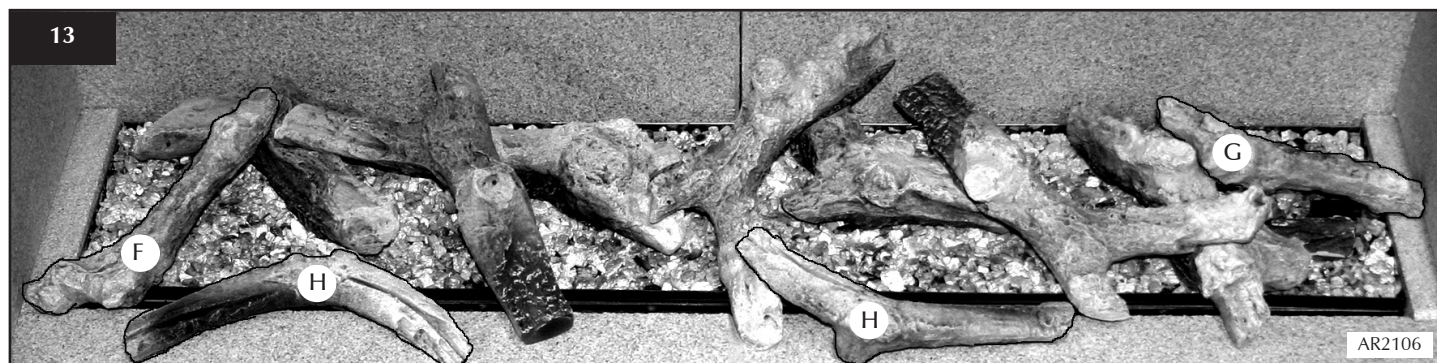


- 6.5 Diagram 12 shows the layout of logs D, E and J:
- Log D has a recess on the underside to fit onto the stud of Log B at the back left. The small branch of the log rests on Log A.
 - A recess in the back of Log E fits the stud on Log B and its long branch rests snugly behind a wood knot of Log C



- The underside of log J has a moulded 'stop'. This rests about 12mm in from the left edge of Log A. The left branch of Log J also rests in the recess in Log I. See Diagram 12 above.

- 6.6 Diagram 13 shows the layout of the last four logs, F, G and two of log H:
- Log F fits centrally onto Log I with its front edge resting on the front panel.
 - Log G is centrally positioned around the moulded wood knot of Log C and rests against the right side panel crossing the pilot shield beneath
 - the first Log H rests on the front panel, overlapping Log D and touching Log E
 - the second Log H rests anywhere on the front panel between F and J. **DO NOT LET THIS LOG OVERLAP THE BURNER.**



USER INSTRUCTIONS

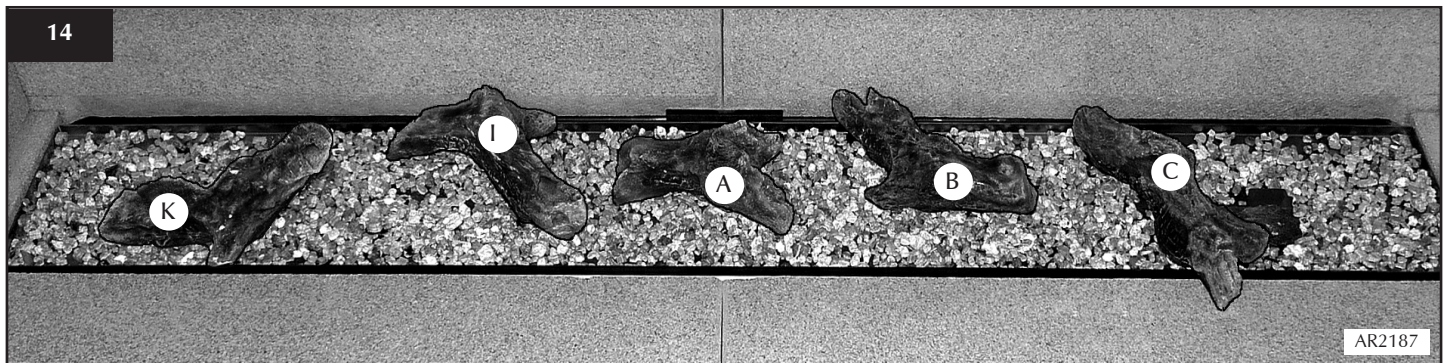
LAYOUT FOR STUDIO 3

LOGS MUST BE POSITIONED ACCORDING TO THE FOLLOWING INSTRUCTIONS TO GIVE THE CORRECT FLAME EFFECT

- 6.7
- Use all the vermiculite to fill the burner tray and spread evenly across the whole burner
 - Rest the ceramic bark against the front face of the pilot shield, Diagram 14

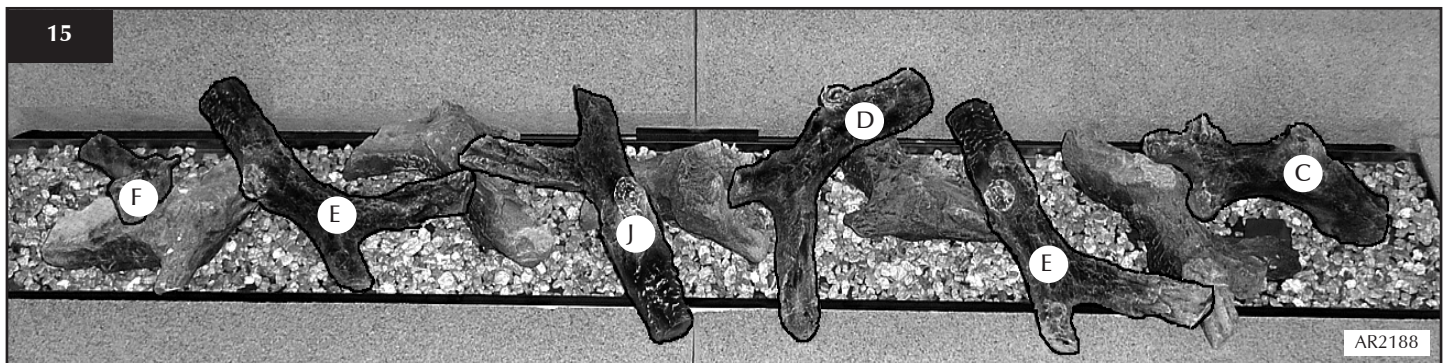
All logs can be identified by the letters (A - K) on their underside. The first five logs, K, I, A, B and C also have holes to locate each onto a burner stud.

- Place logs K, I, A, B and C onto their studs as illustrated in Diagram 14



- 6.8 Diagram 15 shows the layout of logs F, E, J, D, E and C. Working from left to right:

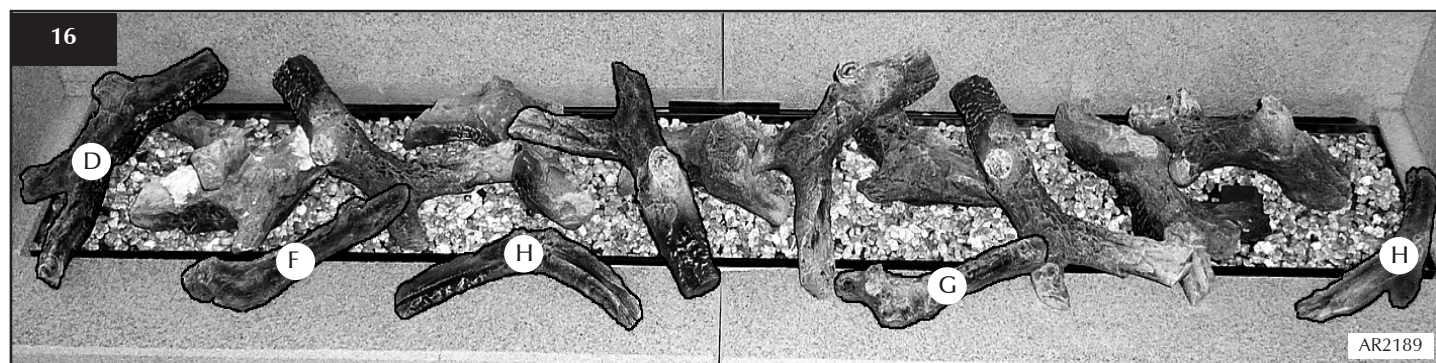
- Log F rests in an indent in Log K with the letter on the underside facing down and a top stud lying towards the back left of the burner tray
- Log E fits onto the stud on the back right of Log K. The right-hand branch rests against Log I. See Diagram 15.



- The underside of log J has a moulded 'stop'. This rests about 12mm in from the left edge of Log A. The left branch of Log J rests in a recess in Log I. See Diagram 15 above.
- Log D has a recess on the underside to fit onto the stud of Log B at the back left. The small branch of the log rests on Log A.
- A recess in the back of Log E fits the stud on Log B and its long branch rests snugly behind a wood knot of Log C
- The fork of the branches of Log C rest around the wood knot of Log C beneath and cross the pilot shield below.

USER INSTRUCTIONS

- 6.9 Diagram 16 shows the layout of logs D, E, H, G, H. Working from left to right:
- Log D's recess fits the stud at the back left of Log F. The branch must overlap the side and front edge panels. See Diagram 16



- Log F rests on a little notch on the lower branch of Log E and overlaps the front edge panel. See Diagram 16.
- Log H rests anywhere on the front panel between F and J.
- Log G rests against the lower branch of Log E as shown in Diagram 16
- the second Log H arches across the side and front panels. **DO NOT LET THIS LOG SIT ON THE BURNER TRAY.**

7. FLAME FAILURE DEVICE

- 7.1 This is a safety feature incorporated on this appliance which automatically switches off the gas supply if the pilot goes out and fails to heat the thermocouple.

8. RUNNING IN

- 8.1 The surface coating on the metal used in your GAZCO fire will "burn off" during the first few hours of use producing a harmless and temporary odour. This will disappear after a short period of use. If the odour persists, ask your installer for advice.
- 8.2 During the first few hours of burning there may be discolouration of the flames. This will also disappear after a short period of use.

9. SERVICING

- 9.1 The fire must be serviced every 12 months by a qualified Gas Engineer. In all correspondence always quote the Model number and the Serial number which may be found on the data badge.

10. VENTILATION

- 10.1 Any purpose provided ventilation should be checked periodically to ensure that it is free from obstruction.

11. INSTALLATION DETAILS

- 11.1 Your installer should have completed the commissioning sheet at the front of this book. This records the essential installation details of the appliance. In all correspondence always quote the Model number and Serial number.

12. HOT SURFACES

- 12.1 Parts of this appliance become hot during normal use.
- Regard all parts of the appliance as a 'working surface'
 - Provide a suitable fire guard to protect young children and the infirm

13. FIRE WILL NOT LIGHT

- 13.1 If you cannot light the Studio:
- Check that the emergency shut off switch is in the ON (1) position, see **Section 2, Emergency Shut Off**
 - Check and change the batteries in the remote handset
 - Check and change the appliance batteries, **Section 4**
 - Consult your Gazco dealer if the Studio still does not light

INSTALLATION INSTRUCTIONS

TECHNICAL SPECIFICATION

COVERING THE FOLLOWING MODELS:

STUDIO 1 BF:	STUDIO 2 BF:	STUDIO 3 BF:
8700BFCHEC	8701BFCHEC	8702BFCHEC
P8700BFCHEC	P8701BFCHEC	P8702BFCHEC

STONE CHIPPINGS
VERSION

Model	Gas CAT.	Gas Type	Working Pressure	Aeration	Injector	Gas Rate m ³ /h	Input kW (Gross)		Country
							High	Low	
Studio 1 BF	I _{2H}	Natural (G20)	20mbar	16 x 23	400	0.600	6.3	3.0	GB, IE
Studio 1 BF	I _{3P}	Propane (G31)	37mbar	14 x 16 (1)	185	0.230	6.1	3.0	GB, IE
				16 x 23 (1)					
Studio 2 BF	I _{2H}	Natural (G20)	20nbar	14 x 16	600	0.800	8.4	4.3	GB, IE
Studio 2 BF	I _{3P}	Propane (G31)	37 mbar	14 x 16 (1)	225	0.275	7.3	4.0	GB, IE
				16 x 23 (1)					
Studio 3 BF	I _{2H}	Natural (G20)	20nbar	LH 6 x 6	170	0.858	9.0	5.2	GB, IE
				RH 6 x 6					
Studio 3 BF	I _{3P}	Propane (G31)	37 mbar	LH 10 x 16 / 16 x 23	150	0.339	9.0	5.2	GB, IE
				RH 10 x 16 / 16 x 23					

Efficiency Class 2 - 81% / NO_x Class 4

Flue Outlet Size Ø 150mm

Flue Inlet Size Ø 100mm

Gas Inlet Connection Size Ø 8mm

RESTRICTOR REQUIREMENT

VERTICAL & HORIZONTAL FLUE			TOP EXIT - VERTICAL ONLY INCLUDING OFFSET	
STUDIO 1 BF			STUDIO 1 BF	
Vertical Flue Height	Horizontal Length	Restrictor Size	Vertical Flue Height	Restrictor Size
200mm - 500mm	Up to 500mm	No restrictor	3000 - 4990mm	Ø 52mm
500mm - 1000mm	Up to 1000mm	No restrictor	5000mm - 10,000mm	Ø 47mm
1000mm - 1490mm	Up to 1000mm	70mm Ø		
1500mm - 1990mm	Up to 5000mm	70mm Ø		
2000mm - 3000mm	Up to 5000mm	60mm Ø		
STUDIO 2 BF			STUDIO 2 BF	
700mm - 1490mm	Up to 1000mm	No restrictor	3000 - 4990mm	Ø 60mm
1500mm - 2490mm	Up to 5000mm	No restrictor	5000mm - 10,000mm	Ø 52mm
2500mm - 3000mm	Up to 5000mm	75mm Ø		
STUDIO 3 BF			STUDIO 3 BF	
1000mm - 1490mm	Up to 500mm	No restrictor	3000 - 4990mm	Ø 70mm
1500mm - 1990mm	Up to 1000mm	No restrictor	5000mm - 10,000mm	Ø 60mm
2500mm - 3000mm	Up to 5000mm	No restrictor		

INSTALLATION INSTRUCTIONS

TECHNICAL SPECIFICATION

COVERING THE FOLLOWING MODELS:

STUDIO 1 BF:	STUDIO 2 BF:	STUDIO 3 BF:
8700BFLEC	8701BFLEC	8702BFLEC
P8700BFLEC	P8701BFLEC	P8702BFLEC

LOG VERSIONS

Model	Gas CAT.	Gas Type	Working Pressure	Aeration	Injector	Gas Rate m ³ /h	Input kW (Gross)		Country
							High	Low	
Studio 1 BF	I _{2H}	Natural (G20)	20mbar	8 x 15	400	0.610	6.4	4.0	GB, IE
Studio 1 BF	I _{3P}	Propane (G31)	37mbar	10 x 16	185	0.237	6.3	4.0	GB, IE
				16 x 23					
Studio 2 BF	I _{2H}	Natural (G20)	20mbar	10 x 16	600	0.800	8.6	4.4	GB, IE
Studio 2 BF	I _{3P}	Propane (G31)	37mbar	5 x 16	150	0.301	8.0	4.4	GB, IE
				16 x 23					
Studio 3 BF	I _{2H}	Natural (G20)	20mbar	LH 8 x 15 RH 8 x 15	184	0.962	10.1	5.2	GB, IE
Studio 3 BF	I _{3P}	Propane (G31)	37mbar	LH 14 x 15 16 x 23 RH 14 x 15 16 x 23	125	0.380	10.1	5.2	GB, IE
Efficiency Class 2 - 81% / NO_x Class 4									
Flue Outlet Size Ø 150mm									
Flue Inlet Size Ø 100mm									
Gas Inlet Connection Size Ø 8mm									

RESTRICTOR REQUIREMENT

VERTICAL & HORIZONTAL FLUE			TOP EXIT - VERTICAL ONLY INCLUDING OFFSET	
STUDIO 1 BF			STUDIO 1 BF	
Vertical Flue Height	Horizontal Length	Restrictor Size	Vertical Flue Height	Restrictor Size
200mm - 500mm	Up to 500mm	No restrictor	3000 - 4990mm	Ø 52mm
500mm - 1000mm	Up to 1000mm	No restrictor	5000mm - 10,000mm	Ø 47mm
1000mm - 1490mm	Up to 1000mm	70mm Ø		
1500mm - 1990mm	Up to 5000mm	70mm Ø		
2000mm - 3000mm	Up to 5000mm	60mm Ø		
STUDIO 2 BF			STUDIO 2 BF	
700mm - 1490mm	Up to 1000mm	No restrictor	3000 - 4990mm	Ø 60mm
1500mm - 2490mm	Up to 5000mm	No restrictor	5000mm - 10,000mm	Ø 52mm
2500mm - 3000mm	Up to 5000mm	75mm Ø		
STUDIO 3 BF			STUDIO 3 BF	
1000mm - 1490mm	Up to 500mm	No restrictor	3000 - 4990mm	Ø 70mm
1500mm - 1990mm	Up to 1000mm	No restrictor	5000mm - 10,000mm	Ø 60mm
2500mm - 3000mm	Up to 5000mm	No restrictor		

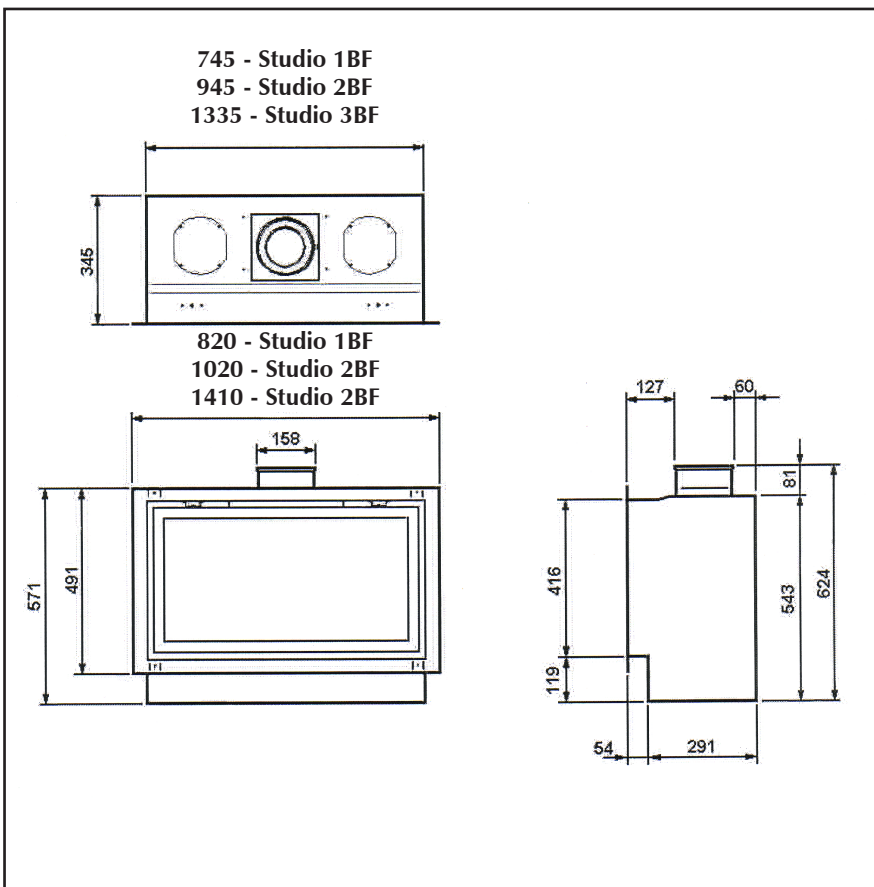
INSTALLATION INSTRUCTIONS

TECHNICAL SPECIFICATION

This appliance has been certified for use in countries other than those stated. To install this appliance in these countries, it is essential to obtain the translated instructions and in some cases the appliance will require modification. Contact Gazco for further information.

PACKING CHECKLIST

Qty Description	Fixing Kit containing:-
For Stone Chippings Layout 1 White Stone Chippings	1 x Instruction Manual 4 x Wood Screws 4 x Rawl Plugs
For Log Layout 1 Log Set 1 Vermiculite	1 x Handset 4 x AA cell batteries 1 x 9V cell batteries 1 x wall box 1 x touch pad/wall plate 1 x battery holder 1 x Foam Seal



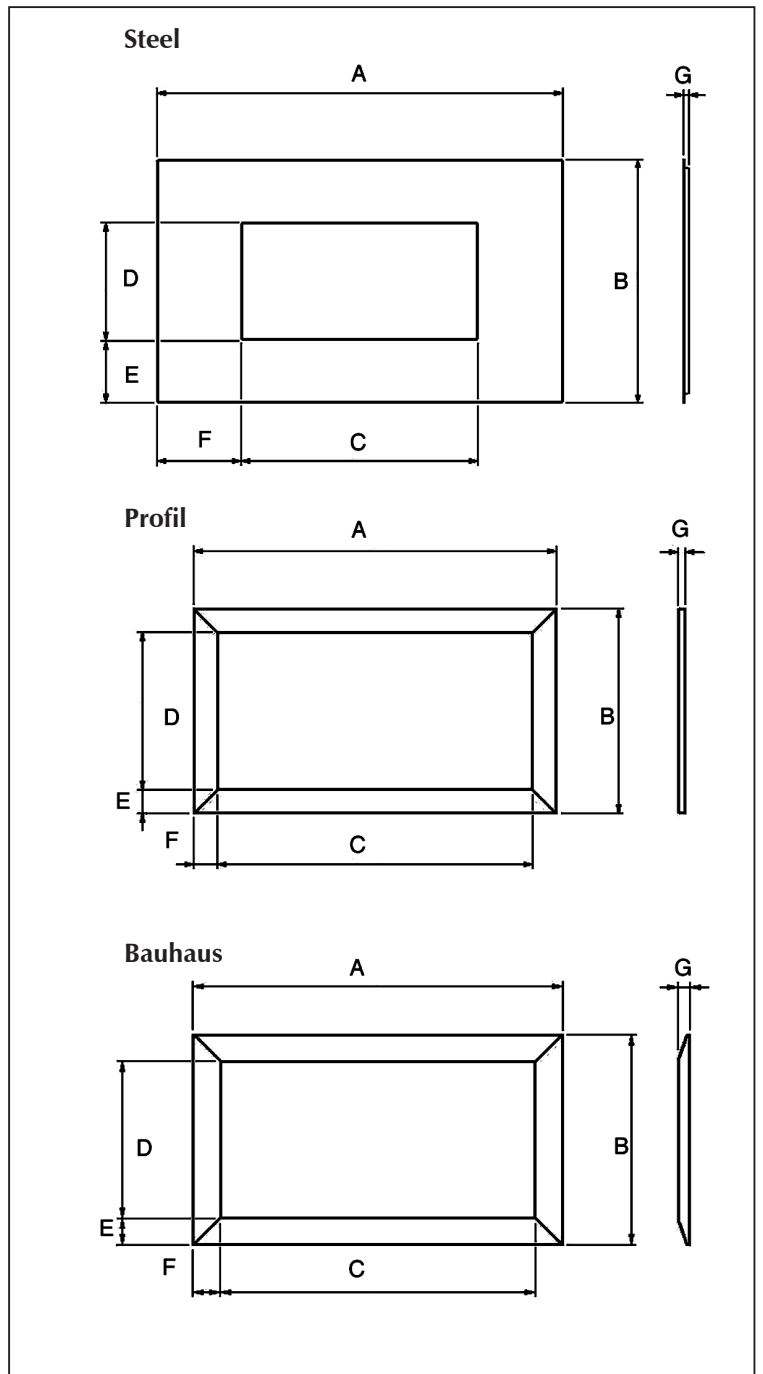
INSTALLATION INSTRUCTIONS

TECHNICAL SPECIFICATION

Steel Frame Dimensions			
Dimension	Studio 1	Studio 2	Studio 3
A	1120	1350	1740
B	675	675	675
C	646	846	1236
D	320	320	320
E	177	177	177
F	237	237	237
G	25	25	25

Profil Frame Dimensions			
Dimension	Studio 1	Studio 2	Studio 3
A	836	1036	1426
B	510	510	510
C	740	940	1330
D	414	414	414
E	48	48	48
F	48	48	48
G	12.5	12.5	12.5

Bauhaus Frame Dimensions			
Dimension	Studio 1	Studio 2	Studio 3
A	850	1050	1440
B	524	524	524
C	740	940	1330
D	414	414	414
E	55	55	55
F	55	55	55
G	28	28	28



INSTALLATION INSTRUCTIONS

SITE REQUIREMENTS

1. FLUE AND CHIMNEY REQUIREMENTS

Note: This appliance must only be installed with the flue supplied.

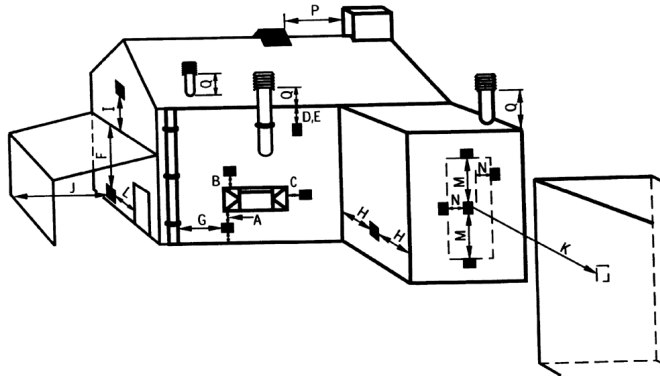
You must adhere to the following:

- 1.1 The flue must be sited in accordance with BS5440: Part 1 (latest edition). See Diagram 1.
- 1.2 Fit a guard to protect people from any terminal less than 2 metres above any access such as level ground, a balcony or above a flat roof.
- 1.3 All vertical and horizontal flues must be securely fixed and fire precautions followed in accordance with local and national codes of practice.
- 1.4 A restrictor may be required. Refer to **Technical Specifications** on page 12.

- 1.5 Two types of flue terminals are available, horizontal and vertical. To measure for a horizontal terminal:
 - Decide on the terminal position
 - Measure the height from the top of the appliance to the centre of the required outlet.
 For minimum and maximum flue dimensions see Diagram 1A / 1B.
 - Allow enough room either above or to the side of the appliance to assemble the flue on top
 - Assemble a horizontal flue in the following order:
 - Vertical section
 - 90° elbow
 - Horizontal plus terminal
 - Support the opening of a masonry installation with a lintel.
- 1.6 Only the horizontal terminal section can be reduced in size.

1

UK Dimensions



Dimension	Terminal position	Minimum Distance
A*	Directly below an opening, air brick, opening windows, etc.	600mm
B*	Above an opening, air brick opening windows, etc.	300mm
C*	Horizontally to an opening, air brick opening windows etc.	400mm
D	Below gutters, soil pipes or drain pipe	300mm
E	Below eaves	300mm
F	Below balconies or car port roof	600mm
G	From a vertical drain pipe or soil pipe	300mm
H	From an internal or external corner	600mm
I	Above group roof or balcony level	300mm
J	From a surface facing the terminal (also see 6.1.2)	600mm
K	From a terminal facing the terminal	600mm
L	From an opening in the car port (e.g. door, window) into the dwelling	1200mm
M	Vertically from a terminal on the same wall	1500mm
N	Horizontally from a terminal on the same wall	300mm
O	From the wall on which the terminal is mounted	N/A
P	From a vertical structure on the roof	600mm
Q	Above intersection with roof	300mm

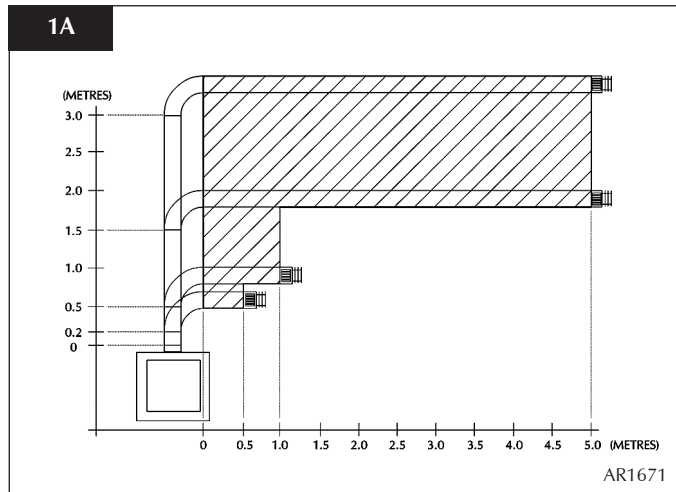
* In addition, the terminal should not be nearer than 300mm to an opening in the building fabric formed for the purpose of accommodating a built-in element such as a window frame

INSTALLATION INSTRUCTIONS

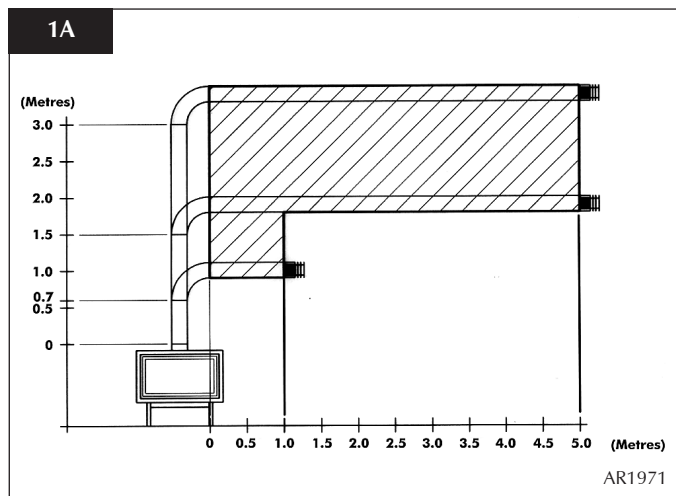
SITE REQUIREMENTS

2. FLUE OPTIONS

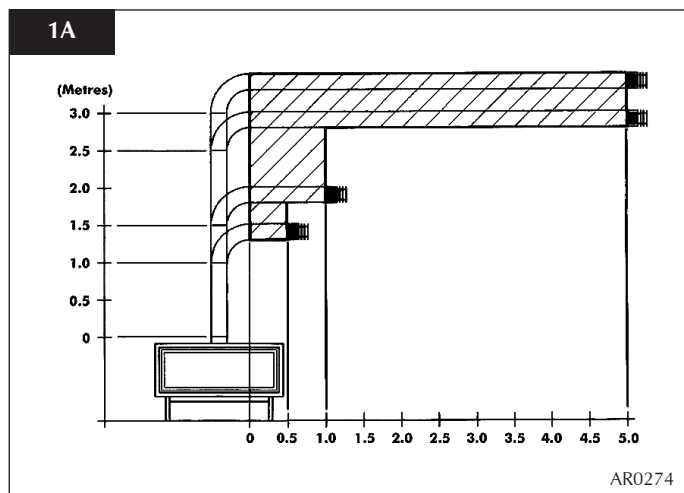
STUDIO 1 BF



STUDIO 2 BF



STUDIO 3 BF



Start of bend to centre line of horizontal flue 170mm.
Centre line of vertical flue to end of bend 220mm.

2.1 TOP FLUE UP & OUT KIT

STUDIO 1 BF (8534/8534AN)

Vertical from the top of the appliance then horizontally out. (See Diagram 1A). The basic kit comprises:

- 1 x 200mm vertical length
- 1 x 500mm terminal length (cut to length on site)
- 1 x 90° elbow
- 1 x wall plate
- 1 x 70mm restrictor
- 1 x 60mm restrictor

STUDIO 2 BF (8509/8509AN)

- 1 x 200mm vertical length
- 1 x 500mm vertical length
- 1 x 500mm terminal length (cut to length on site)
- 1 x 90° elbow
- 1 x wall plate
- 1 x 75mm restrictor

The kit may be used on its own. (Note – STUDIO 1 BF with a 200mm rise only the 500mm terminal length can be used). Extra lengths may be added to the vertical and horizontal from the list below.

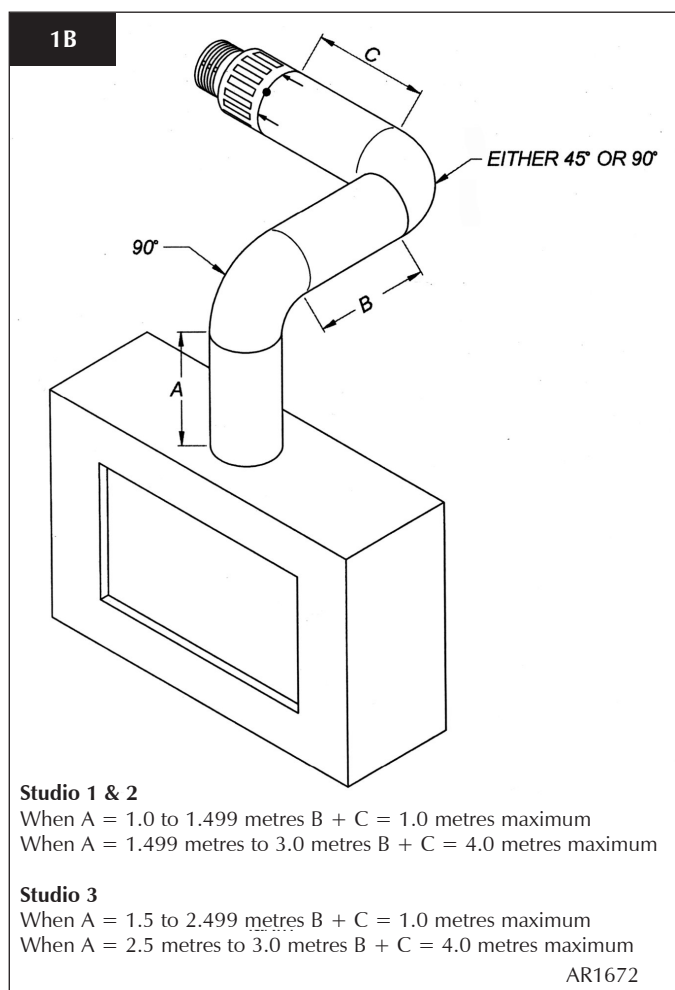
STUDIO 3 BF (8567/8567AN)

- 1 x 1000mm vertical length
- 1 x 500mm terminal length (cut to length on site)
- 1 x 90° elbow
- 1 x wall plate

The kit may be used on its own. (Note – STUDIO 1 BF with a 200mm rise only the 500mm terminal length can be used). Extra lengths may be added to the vertical and horizontal from the list below.

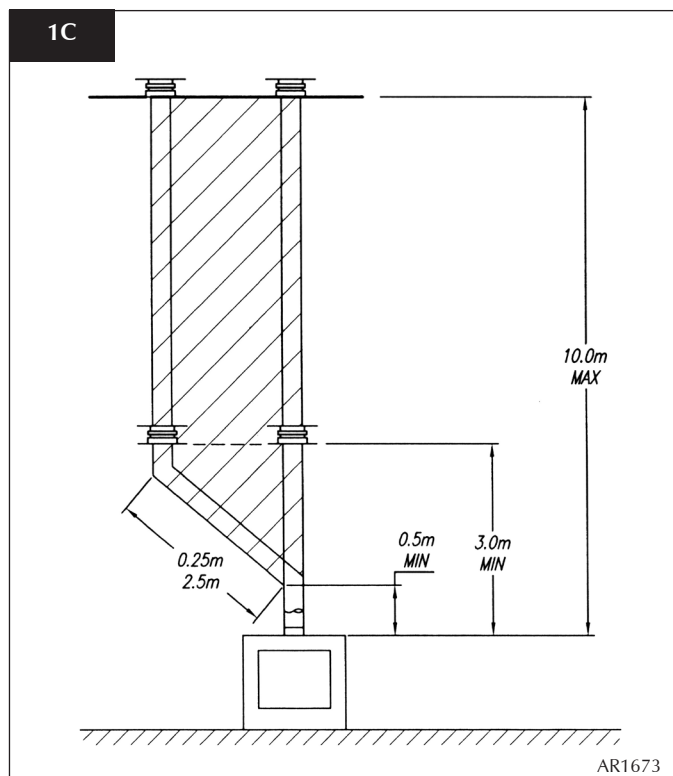
INSTALLATION INSTRUCTIONS

SITE REQUIREMENTS



2.2 TOP FLUE UP & OUT WITH ADDITIONAL BEND

Any additional bend may be used on the horizontal section (either 45° or 90°), but the overall horizontal flue run will be reduced. Refer to Diagram 1B.



2.3 TOP FLUE VERTICAL KIT (8524/8524AN)

Vertical from the top of the appliance (See Diagram 1C). A minimum vertical rise 3m (9'10") to a maximum 10m (32'10"). The basic kit comprises:

- 2 x 1m lengths
- 1 x 1m terminal length
- 1 x 52mm restrictor
- 1 x 47mm restrictor
- 1 x 60mm restrictor
- 1 x 70mm restrictor

Extra lengths may be added from the list below.

2.4 TOP FLUE VERTICAL OFFSET KIT (8530/8530AN)

Used with kit 8524. A minimum rise of 500mm (19½") is required to the first bend. See Diagram 1C.

INSTALLATION INSTRUCTIONS

SITE REQUIREMENTS

2.5 EXTRA FLUE LENGTHS

All flue components are 150mm diameter (6")

NOMINAL LENGTH	ACTUAL LENGTH	STAINLESS FINISH	ANTHRACITE FINISH
200mm	140mm	8527	8527AN
500mm	440mm	8528	8528AN
1000mm	940mm	8529	8529AN
40° Bend	N/A	8507	8507AN
90° Bend	N/A	8508	8508AN

NOTE: Carefully consider:

- a) Terminal positions
- b) Flue supports
- c) Weatherproofing
- d) Fire precautions

For all the above options, you must conform to local and national codes of practice .

3. GAS SUPPLY

THIS APPLIANCE IS INTENDED FOR USE ON A GAS INSTALLATION WITH A GOVERNED METER.

- 3.1 Before installation, ensure that the local distribution conditions (identification of the type of gas and pressure) and the adjustment of the appliance are compatible.
- 3.2 Ensure the gas supply delivers the required amount of gas and is in accordance with the rules in force.
- 3.3 You can use soft copper tubing on the installation and soft soldered joints outside the appliance and below the fire.
- 3.4 A factory fitted isolation device is part of the inlet connection; no further isolation device is required.
- 3.5 All supply gas pipes must be purged of any debris that may have entered prior to connection to the appliance.
- 3.6 The gas supply enters through the silicone panel located on the LEFT-HAND side of the outer box:
 - Slit with a sharp knife before passing the supply pipe through
- 3.7 The gas supply must be installed in a way that does not restrict the removal of the appliance for servicing and inspection.

4. VENTILATION

- 4.1 This appliance requires no additional ventilation.

5. APPLIANCE LOCATION

- 5.1 Please note this appliance has been primarily designed for studwork applications. However, there are circumstances where one of the kits could be used on a block or brickwork fireplace using different methods and materials for the final effect.

The three methods of studwork installation are:

Frame, see *Installation Instructions, Section 4*

Edge, see *Installation Instructions, Section 5*

Cool Wall, see *Installation Instructions, Section 6*

- 5.2 This appliance must stand on a non-combustible platform that is at least 12mm thick.

NOTE: If you intend to construct the fascia of the fireplace opening from natural materials it is recommended you cut this into three or more sections to prevent cracking. Resin-based materials may not be suitable. This appliance is an effective heat producer and attention must be paid to the construction and finish of the fireplace.

- 5.3 A combustible shelf must be:
 - maximum 150mm in depth
 - minimum, 400mm high above the fire
 A combustible side wall must be a minimum of 150mm from the appliance.
- 5.4 This appliance can be installed with an up and out flue (vertical wall - horizontal flue) or with a vertical flue with roof termination (see ***Flue Options, Section 2 Site Requirements***).
- 5.5 This appliance is not suitable for installation onto a combustible wall. Remove all combustible material from the area shown. See Diagram 2

INSTALLATION INSTRUCTIONS

INSTALLATION

IMPORTANT: REFER TO DATA BADGE AND TECHNICAL SPECIFICATION AT THE FRONT OF THE MANUAL TO ENSURE THE APPLIANCE IS CORRECTLY ADJUSTED FOR THE GAS TYPE AND CATEGORY APPLICABLE IN THE COUNTRY OF USE.
FOR DETAILS OF CHANGING BETWEEN GAS TYPES REFER TO SECTION 10, **SERVICING, 'REPLACING PARTS'**.

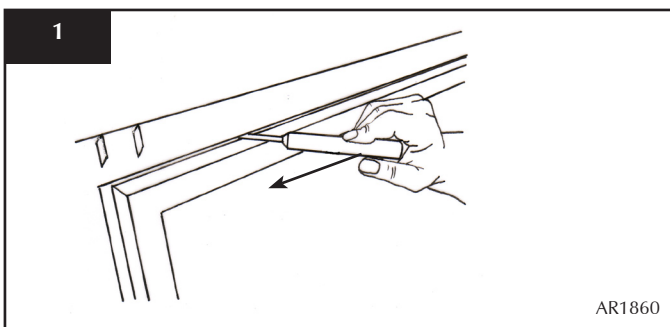
1. SAFETY PRECAUTIONS

- 1.1 For your own and other's safety, you must install this stove according to local and national codes of practice. Failure to install the stove correctly could lead to prosecution:
 - Read these instructions before installing and using this appliance.
- 1.2 These instructions must be left intact with the user.
- 1.3 Do not attempt to burn rubbish on this appliance.
- 1.4 Keep all plastic bags away from young children.
- 1.5 Do not place any object on or near to the appliance and allow adequate clearance above the appliance.
IF THE APPLIANCE IS EXTINGUISHED OR GOES OUT IN USE, WAIT 3 MINUTES BEFORE ATTEMPTING TO RELIGHT THE APPLIANCE.

2. INSTALLATION OF THE APPLIANCE

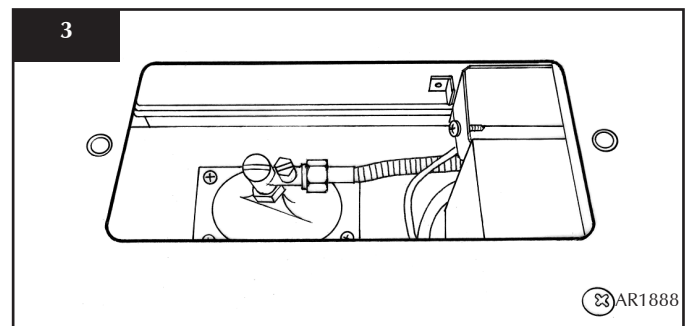
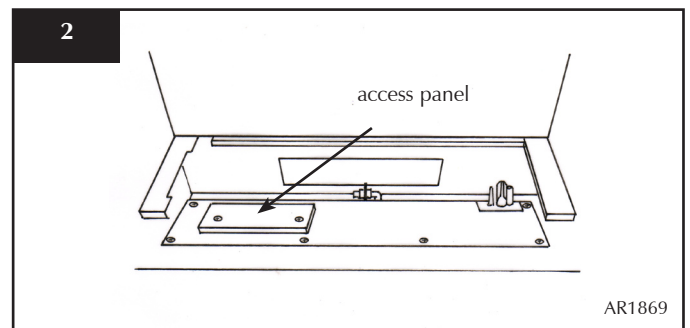
THERE IS AN OPTIONAL DUCT KIT, CODE No. 8572 WHICH CAN BE FITTED AT THE SAME TIME AS THE APPLIANCE INSTALLATION.

- 2.1
 - Remove the appliance from the carton and discard all unnecessary packaging.
 - Ensure no components are thrown away when unpacking
- 2.2 To open the glass door, use the allen key provided:
 - Release the window locks moving each from shut to open towards the outer edge of the glass door, Diagram 1



- 2.3
 - Remove the box from the appliance and store safely as it contains the remote control and fuel effects, etc.

- 2.4
 - Remove all the enamel liners where necessary. The rear panels on Studio 1 and 3 can remain in place. See *Replacing Parts, Section 5*.
- 2.5
 - Remove all the vermiculite liners. The rear panel on Studio 1 can remain in place. See *Replacing Parts, Section 6*.
- 2.6
 - Remove the Main Burner, see *Replacing Parts, Section 7*.
- 2.7 The gas supply enters the fire through a silicon panel on the floor under the access panel, Diagram 2:
 - Slit with a sharp knife before bringing through the supply pipe, Diagram 3



INSTALLATION INSTRUCTIONS

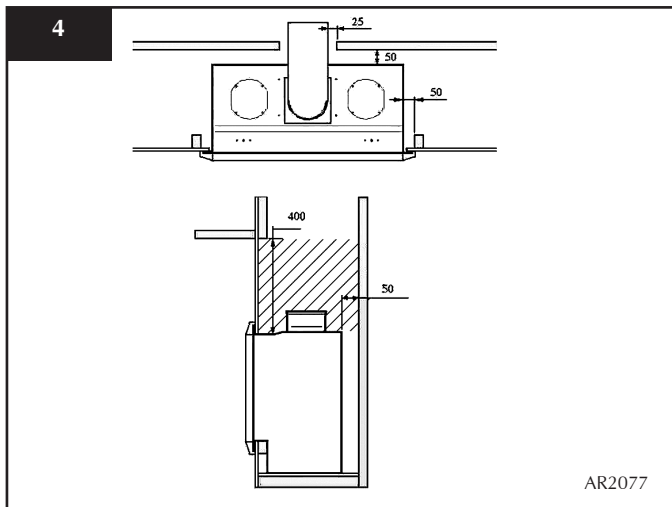
INSTALLATION

3. STUDWORK INSTALLATION

THERE ARE THREE TYPES OF INSTALLATION INTO STUDWORK DESCRIBED IN THE FOLLOWING PAGES:

- 1) FOR STUDIO WITH EITHER THE STEEL, PROFIL OR BAUHAUS FRAME, SEE SECTION 4
- 2) FOR AN INSTALLATION WHERE THE STUDIO SITS FLUSH TO THE FINISHED 'EDGE' OF THE WALL, SEE SECTION 5
- 3) FOR A FURTHER 'EDGE' INSTALLATION PROVIDING A COOL WALL ABOVE THE APPLIANCE TO ALLOW CUSTOMERS TO HANG PICTURES ETC., SEE SECTION 6

- 3.1 **DISTANCE TO COMBUSTIBLE MATERIAL**
COMBUSTIBLE PARTS OF THE STUDWORK MUST BE KEPT BEYOND THE MINIMUM DIMENSIONS SHOWN IN DIAGRAM 4. EVEN IF THE FRAMEWORK IS PROTECTED BY NON-COMBUSTIBLE MATERIAL, YOU MUST MAINTAIN THESE DIMENSIONS, DIAGRAM 4.



- 3.2 **DISTANCE TO NON-COMBUSTIBLE OR COMBUSTIBLE MATERIAL ON STUDIO 3 ONLY**
TO CREATE ENOUGH CLEARANCE FOR THE TOP VENTS TO OPEN ON THE STUDIO 3 IT IS IMPORTANT THAT NO PART OF THE STUDWORK, (COMBUSTIBLE OR NOT,) IS BUILT WITHIN 400MM OF THE TOP OF THE BOX.
- 3.3 DO NOT PACK THE VOID AROUND OR ABOVE THE APPLIANCE WITH INSULATION MATERIALS SUCH AS MINERAL WOOL.
- 3.4 THE VOID BUILT FOR THE CASSETTE MUST BE VENTILATED TO PREVENT A BUILD-UP OF HEAT. IF THE VOID IS SEALED, THEN YOU MUST FIT VENTS AT BOTH

LOW AND HIGH LEVELS OF APPROXIMATELY 50CM² EACH. THESE VENTS MUST TAKE COLD AIR FROM THE ROOM AND RETURN WARM AIR BACK INTO THE ROOM

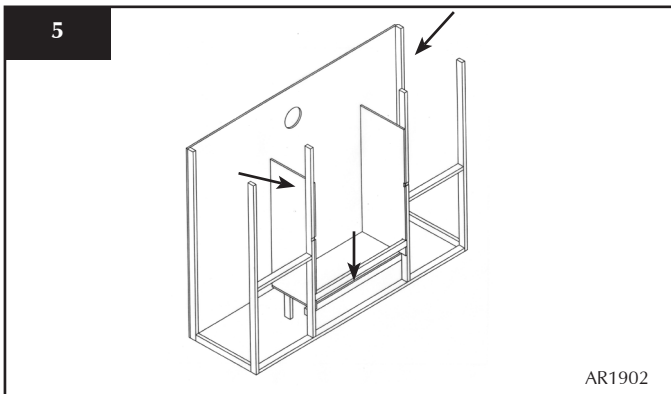
- 3.5 AN ACCESS HATCH MUST BE LEFT IN THE SIDE OF THE CHIMNEY BREAST FOR FUTURE SERVICING AND INSPECTION OF THE FLUE AND APPLIANCE.

INSTALLATION INSTRUCTIONS

INSTALLATION

4. STUDWORK INSTALLATION FOR STUDIO WITH FRAMES

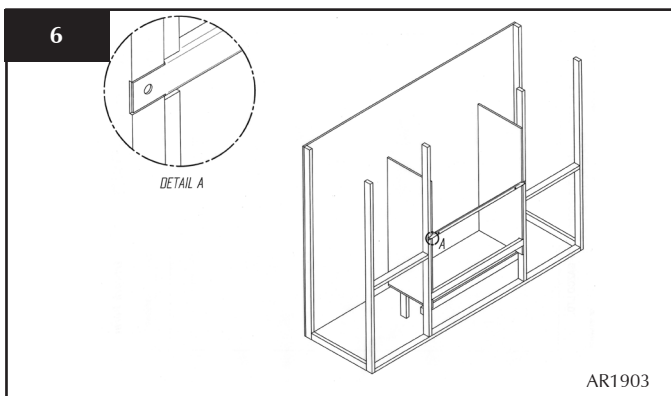
- Build the studwork chimney breast and enclosures to the desired size to include the protected platform at the required height.
- Line the aperture for the appliance with 12mm thick non-combustible material as shown, Diagram 5



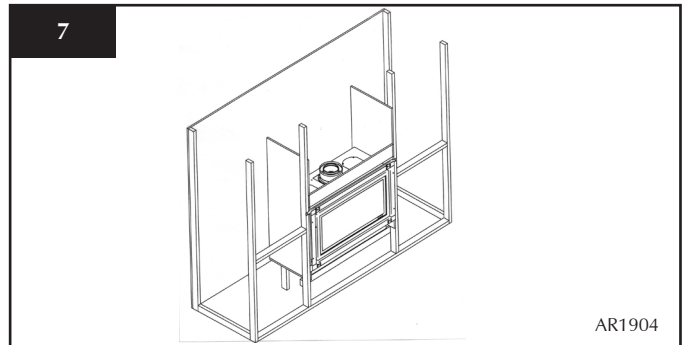
- Ensure the clearances are maintained, see Diagram 4
- Site the appliance and decide on flue requirements
- Cut a hole for the flue exit - see **Installation Instructions, Flue Assembly**
- Provide gas and electric services into the cassette void on the left-hand side

Because no combustible material can be used above the fire, we provide a support bar:

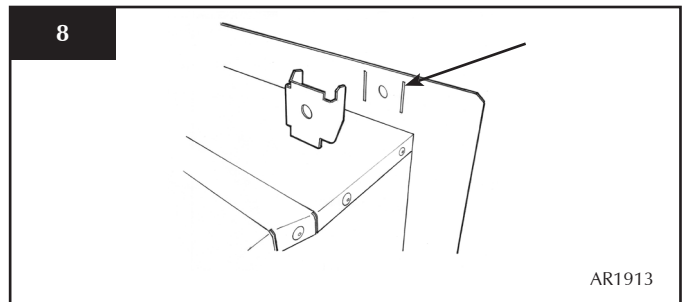
- **Mark out the position to fit the supplied top support bar into the studwork at the correct height. This bar needs to be recessed into the studwork, Diagram 6**



- Fit the support bar into the studwork at the correct height, Diagram 7.



- Attach the 4 frame fixing brackets to the fire, Diagram 8
- Fix foam seal to the rear of the outer flange of the fire



- Position the fire
- Fit non-combustible board to the studwork around the fire. This should extend a minimum of 400mm above the appliance and at least 50mm to the sides of the appliance (from the outer box, not the flanges).
- Apply plasterboard to the remainder of the studwork
- Secure the fire back to the studwork using four screws through flange, bracket, support bar
- Apply a plaster finish to the front of the chimney breast

Slips

Because of the high temperatures this fire achieves, it is advisable to use marble slips or similar material between the appliance and the plasterboard.

Never use a one-piece slip as expansion (even cracking) can occur.

Note: If a slip is used, longer screws are needed to secure the appliance.

To finish this installation:

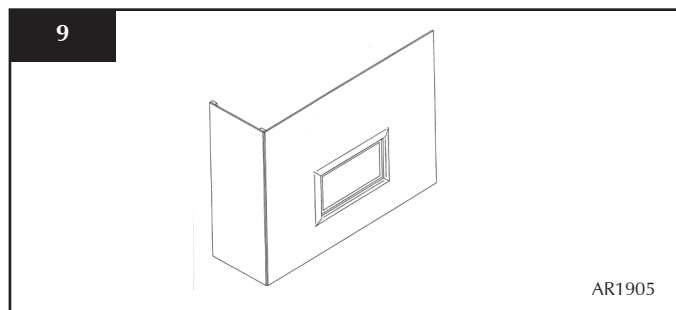
- Connect the wall box and batteries following instruction in Section 7 below
- Connect:
 - the flue system (see **Installation, Flue Assembly**)
 - and gas services (see **Installation 2.3**) using the opening in the side of the chimney breast for access.

INSTALLATION INSTRUCTIONS

INSTALLATION

After commissioning:

- Finish the sides of the chimney breast, Diagram 9

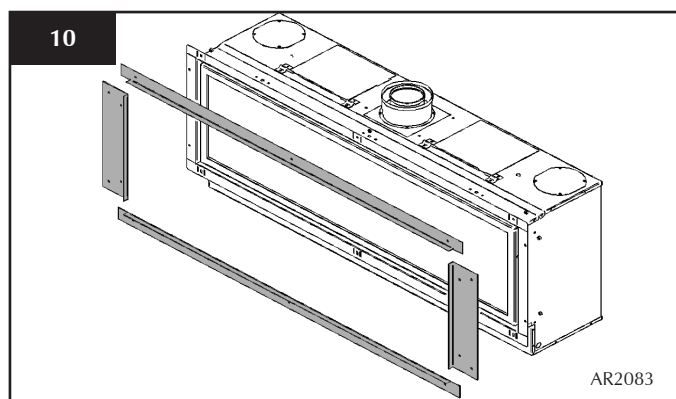


5. STUDWORK FOR STUDIO EDGE INSTALLATION KIT

There is an optional Studio Edge Installation Kit available for installing the fire without a frame: Studio 1 BF Code No. 8727BFEK01, Studio 2 BF Code No. 8727BFEK02, Studio 3 BF Code No. 8727BFEK03.

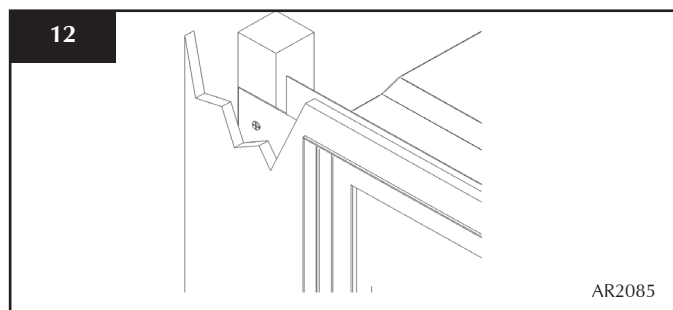
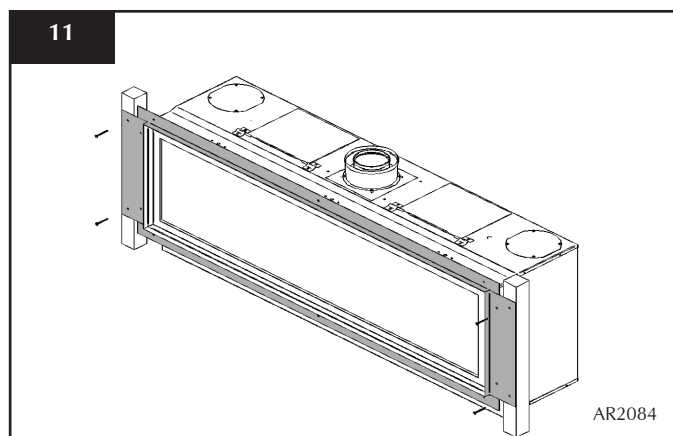
Using the installation kit:

- Fit the four metal brackets of the kit to the fire, Diagram 10



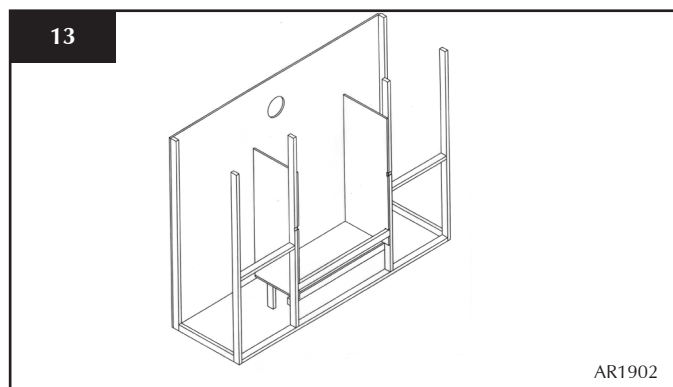
- Put vertical studwork at minimum clearance to the side of the fire (50mm)
- Secure to the vertical studwork through the holes in the metal brackets fitted to the fire

The kit has been designed so that non-combustible board can be taken right up to the edge of the four brackets, Diagram 11 & 12



Build the studwork chimney breast to the desired size:

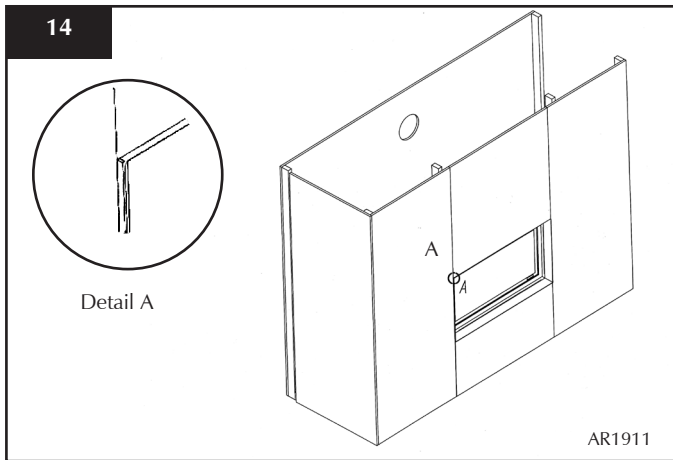
- Ensure all clearances to combustable material are maintained, 3.1 above
- Decide on flue requirements
- Cut a hole for the flue exit - see **Installation Instructions, Flue Assembly**



- Fit non-combustible board to the studwork above the fire. This should extend a minimum of 400mm above the appliance.
- Fit plasterboard to the remaining chimney breast front
- Connect the flue system and gas services using the opening in the side of the chimney breast for access. After commissioning, finish the sides of the chimney breast, Diagram 14

INSTALLATION INSTRUCTIONS

INSTALLATION



- Apply a plaster finish to the chimney breast using heat resistant plaster in the area directly above the fire

6. STUDWORK FOR COOL WALL INSTALLATION KIT

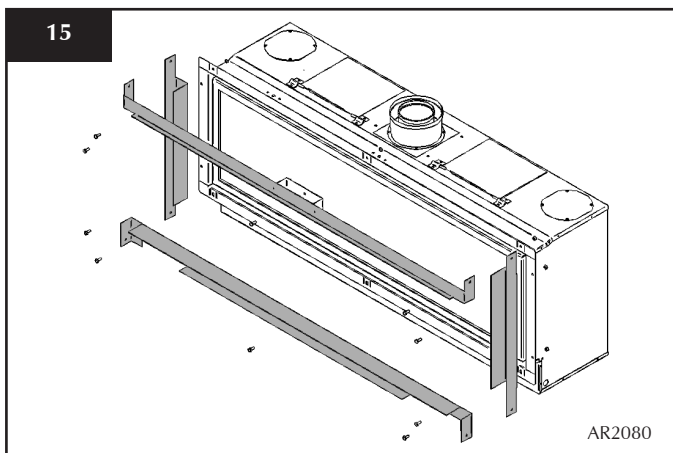
For this cool-wall installation, the convected heat of the fire is channelled into the chimney cavity and vented at the top.

The cool wall installation kit is provided unfinished. This allows the kit to be finished to match the front face decor.

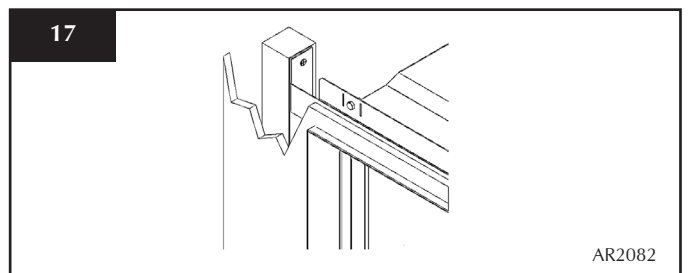
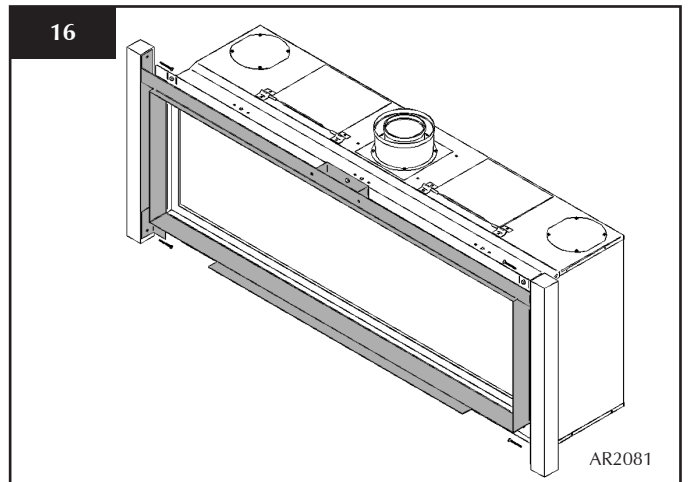
There is an optional Studio Cool Wall Installation Kit available for installing the fire without a frame: Studio 1 BF Code No. 8727BFCW01, Studio 2 BF Code No. 8727BFCW02, Studio 3 BF 8727BFCW03.

Using the fixing kit:

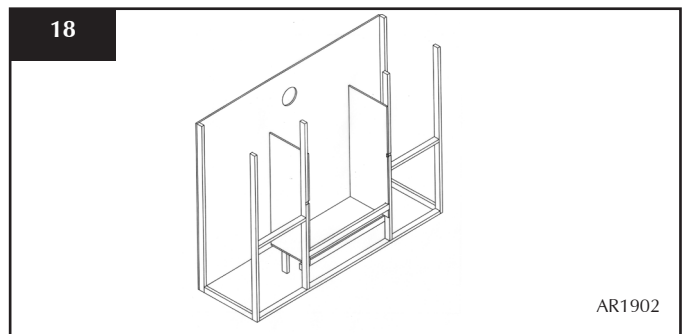
- Fit the four metal brackets of the kit to the fire, Diagram 15. There is a deliberate gap at the top for convected heat.



This now determines the width of your two vertical studwork supports. The kit has been designed so that non-combustible board can be taken right up to the edge of the four brackets, Diagram 16 & 17



- Fix the left and right metal brackets into the studwork
Build the studwork chimney breast to the desired size:
- Ensure all clearances to combustible material are maintained, 3.1 above
- Decide on flue requirements
- Cut a hole for the flue exit - see **Installation Instructions, Flue Assembly**

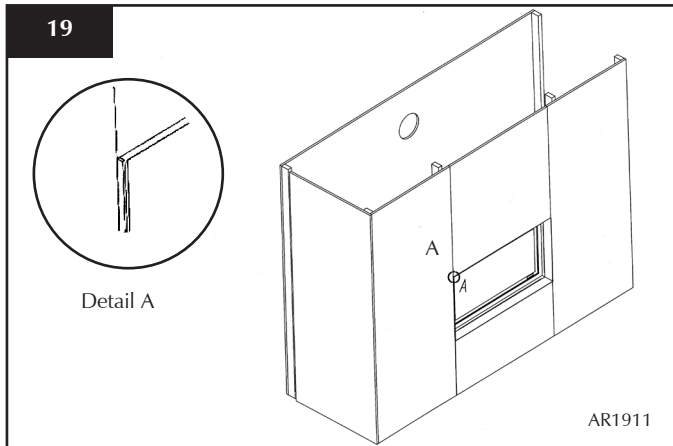


- Fit non-combustible board to the studwork above the fire. This should extend a minimum of 400mm above the appliance.

INSTALLATION INSTRUCTIONS

INSTALLATION

- Fit plasterboard to the remaining chimney breast front
- Connect the flue system and gas services using the opening in the side of the chimney breast for access. After commissioning, finish the sides of the chimney breast, Diagram 19



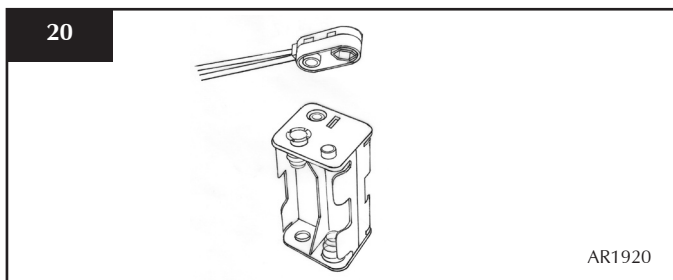
The top of the chimney breast must have a minimum 200cm² vent.

- Apply a plaster finish to the chimney breast

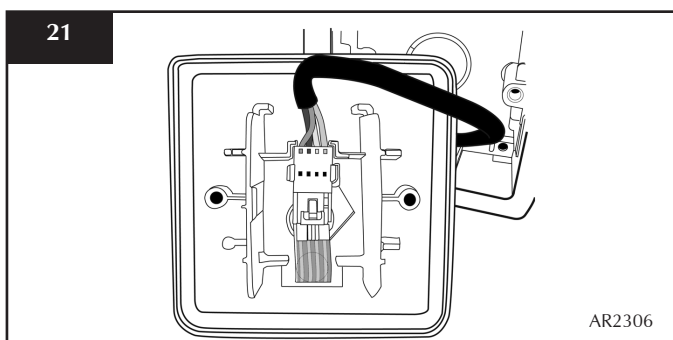
7. ALL TYPES OF INSTALLATION INTO STUDWORK - WALL BOX & BATTERIES

7.1 Decide on the position for the wall box containing the batteries and wall switch

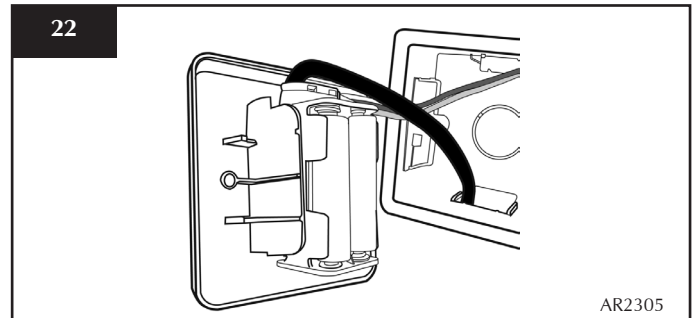
- Connect the wire from the fire to the battery pack, Diagram 20



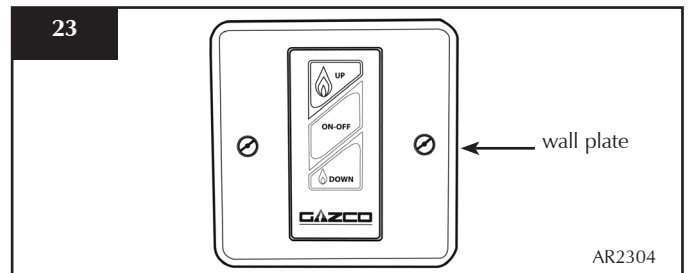
- Connect the wire from the fire to the touch pad/connector, Diagram 21



- Correctly position the four new AA size batteries into the battery holder
- Re-assemble the battery holder as shown in Diagram 22



- Secure the wall plate with the touch pad attached to the wall box, Diagram 23



7.2 **IMPORTANT**
THE WALL SWITCH MUST BE INSTALLED USING A NON-METALLIC MOUNTING BOX, PLEASE ENSURE THAT THE PLASTIC DRY LINING BOX IS USED WHEREVER POSSIBLE. IF IT IS INTENDED TO INSTALL THE WALL SWITCH ON A MASONRY IT IS POSSIBLE TO DRILL THROUGH THE REAR OF THIS BOX AND SECURE IN POSITION USING WALL PLUGS AND SCREWS ALTHOUGH A SMALL AMOUNT OF FINISHING WORK WILL BE REQUIRED TO COVER THE PLASTIC SIDE SECURING TAGS. ALTERNATIVELY A STANDARD 47MM DEEP PATRESS BOX CAN BE USED TO SURFACE MOUNT THE WALL SWITCH.

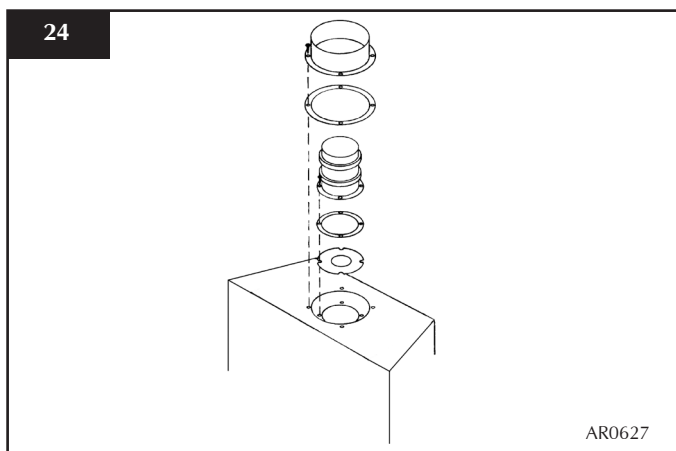
8. FLUE ASSEMBLY

8.1 Refer to **Flue Options** in **Site Requirements** on page 12.

TAKE CARE WHEN MARKING OUT FOR THE FLUE AS IT IS DIFFICULT TO MOVE AFTER INSTALLATION. IF A RESTRICTOR IS REQUIRED FIT THIS BETWEEN THE SMALL OUTLET SPIGOT AND THE AIR DUCT SEE DIAGRAM 25. REFER TO TECHNICAL SPECIFICATIONS FOR RESTRICTOR SIZE.

INSTALLATION INSTRUCTIONS

INSTALLATION



8.2 A 152mm (6") diameter hole in the wall is required to install the flue. This can be achieved by either:

- a) Core drill
- b) Hammer and chisel

- Drill small holes around the circumference when using method b. Make good both ends of the hole.

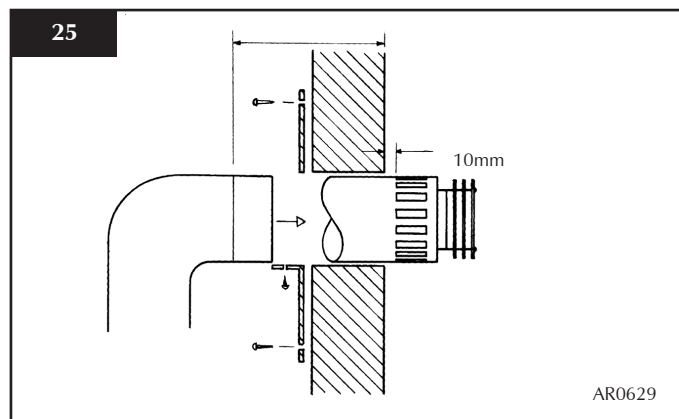
8.6 • Allow enough room either above or to the side of the appliance to assemble the flue on top

- Assemble a horizontal flue in the following order:
 - Vertical section
 - 90° elbow
 - Horizontal plus terminal

- Support the opening of a masonry installation with a lintel

8.7 Only the horizontal terminal section can be reduced in size. To find the length:

- Measure from the outside of the wall to the stop on the 90°
- **Add 10mm to the outlet end**
 - Measure from the edge of the slots closest to the wall
 - Mark around the flue, Diagram 25

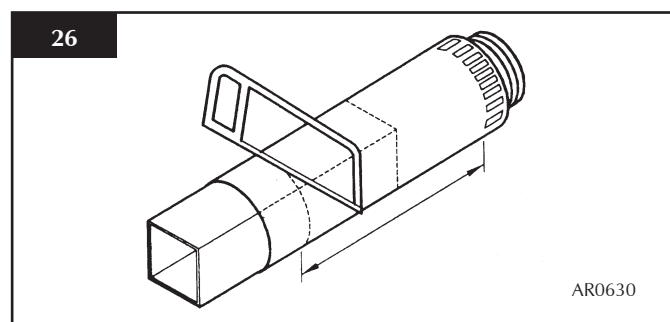


A wall plate is supplied to fix the flue to the wall:

- Bend the tab to 90°

- Assemble the plate onto the flue but wait to secure to wall and flue after the flue is fully assembled, Diagram 26

8.8 The cardboard fitment in the terminal is used to support the flue whilst it is cut to length. **ONCE CUT TO SIZE, REMOVE THE CARDBOARD REMNANT**, Diagram 26.



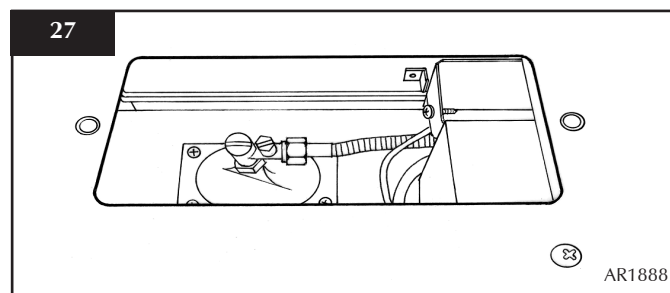
8.9 • Remove the compression elbow from the appliance and connect it to the gas supply pipe.

As the appliance is fitted into the enclosure:

- Pass the elbow and supply pipe through the silicone panel on the LEFT-HAND side.

- **PURGE THE SUPPLY PIPE.** This is essential to expel any debris that may block the gas controls.

- Connect the elbow to the appliance inlet pipe, Diagram 27.



8.10 • Connect a suitable pressure gauge to the test point located on the inlet fitting

- Turn on the gas
- Light the appliance and check for leaks
- Turn the appliance to maximum and check that the supply pressure is as stated on the data badge.
- Turn off the gas and replace the test point screw
- Turn the gas back on and check the test point for leaks

INSTALLATION INSTRUCTIONS

INSTALLATION

9. ASSEMBLING THE APPLIANCE

- 9.1
- Add the stone chippings or vermiculite, making sure they are flattened and level with the rim of the tray

TAKE CARE NOT TO SPILL Stone chippings OR VERMICULITE INTO THE PILOT AREA ONLY STONE CHIPPINGS OR VERMICULITE SUPPLIED BY GAZCO CAN BE USED IN THIS FIRE

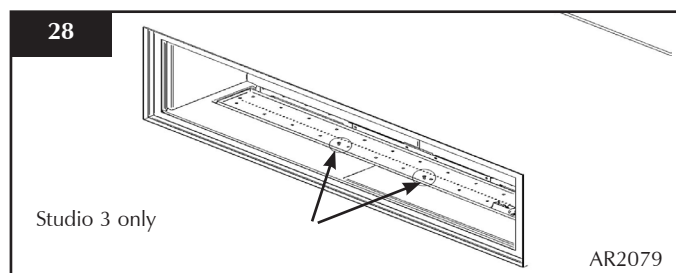
Vermiculite Only: Use the exact amount of vermiculite supplied. This is just enough to cover the burner.

9.2 ENAMEL LINERS

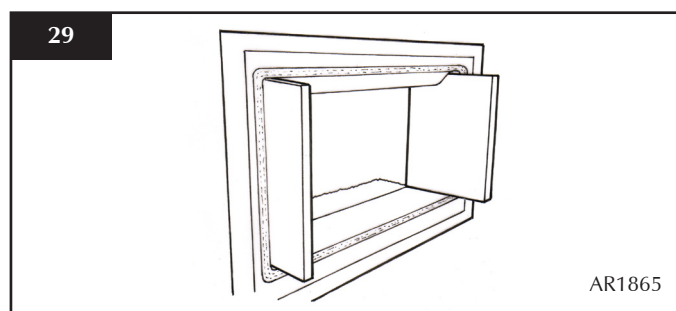
For Studios 1 and 3 the back panel is already in place:

- Place the bottom panel(s) at the base of the fire
(**Studio 3 only:** Secure the two base panels with screws)

For **Studio 2 only:** Locate the bottom edge of the liner behind the bracket on the support bar.



- Slide the side panels into position



9.3 VERMICULITE PANELS

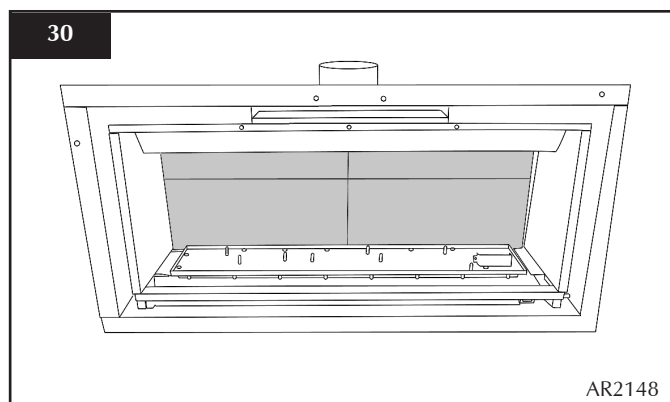
NOTE: STUDIO 1 & 2 FRONT PANELS AND STUDIO 2 REAR PANELS ARE IN TWO PIECES:

- **HOLD THE REAR PANELS UNTIL ALL THE OTHER PANELS ARE IN PLACE AS THEY CAN FALL FORWARD**

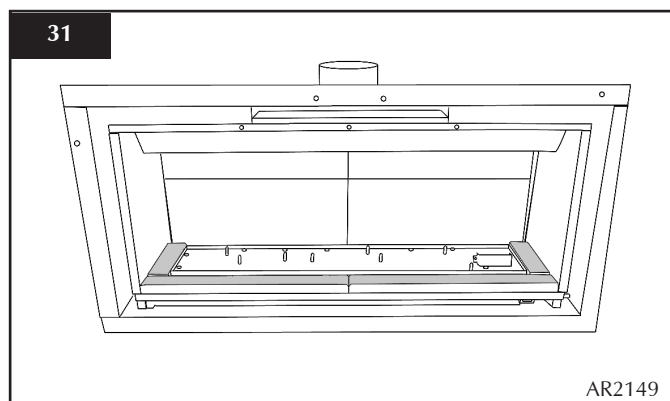
- Place the rear panel(s) behind the locating bracket on the rear support bar

The Studio 1 rear panel is already in place.

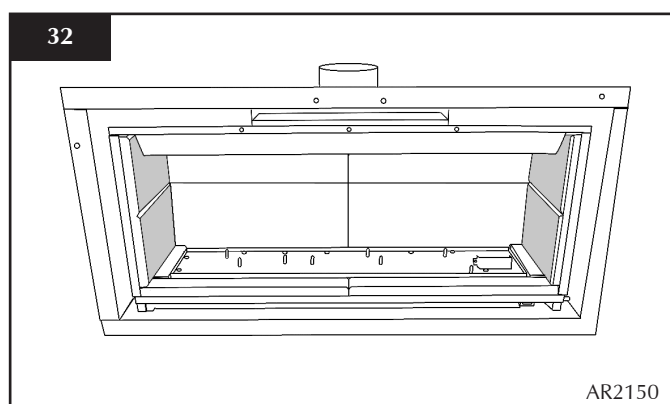
- Ensure the two-piece rear panels are centralised, with the chamfers touching and pushed together, Diagram 30



- Place the lower side and front panels in position so the chamfers meet at the front edge of the Burner.
- Ensure the two-piece front panels are engaged against the centre support tags on the Burner and are pushed together in the middle, Diagram 31



- Slide the two side panels up to the rear panel, Diagram 32



Note: THE HORIZONTAL CHAMFERS MUST ALIGN ON THE REAR AND SIDE PIECES.

INSTALLATION INSTRUCTIONS

INSTALLATION

10. ARRANGEMENT OF FUEL BED

ADVICE ON HANDLING AND DISPOSAL OF FIRE CERAMICS

The fuel effect in the log effect version of this appliance is made from Refractory Ceramic Fibre (RCF), a material which is commonly used for this application.

Protective clothing is not required when handling these articles, but we recommend you follow normal hygiene rules of not smoking, eating or drinking in the work area and always wash your hands before eating or drinking.

To ensure that the release of RCF fibres are kept to a minimum, during installation and servicing a HEPA filtered vacuum is recommended to remove any dust accumulated in and around the appliance before and after working on it. When servicing the appliance it is recommended that the replaced items are not broken up, but are sealed within heavy duty polythene bags and labelled as RCF waste.

RCF waste is classed as stable, non-reactive hazardous waste and may be disposed of at a licensed landfill site. Excessive exposure to these materials may cause temporary irritation to eyes, skin and respiratory tract; wash hands thoroughly after handling the material.

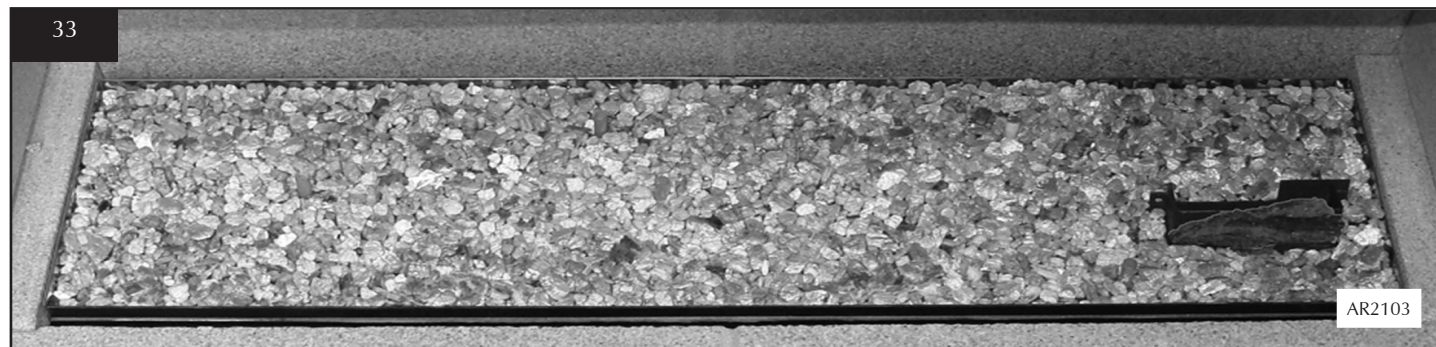
- 10.1 **Stone chippings:** If you need to replace stone chippings and refill the tray, make sure the stone chippings are flattened so they are level with the rim of the tray.
- 10.2 **Vermiculite for Logs Layout:** Use the entire bag of supplied Vermiculite.

TAKE CARE NOT TO SPILL STONE CHIPPINGS OR VERMICULITE INTO THE PILOT AREA. ONLY STONE CHIPPINGS OR VERMICULITE SUPPLIED BY GAZCO CAN BE USED IN THIS FIRE.

11. LOG LAYOUT

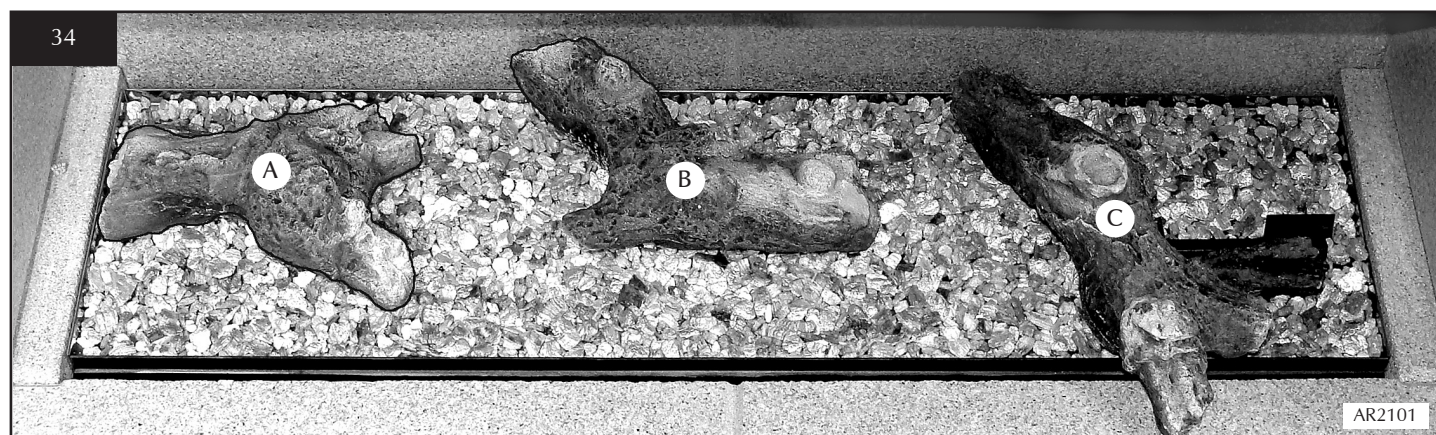
LOGS MUST BE POSITIONED ACCORDING TO THE FOLLOWING INSTRUCTIONS TO GIVE THE CORRECT FLAME EFFECT

- 11.1
 - Use all the vermiculite to fill the burner tray and spread evenly across the whole burner
 - Rest the ceramic bark against the front face of the pilot shield, Diagram 33



All logs can be identified by a letter (A - H) on their underside. The first three logs, A, B and C, also have holes to locate each onto a burner stud.

- 11.2 Working from left to right:
 - Place logs A, B and C onto their studs as illustrated in Diagram 34

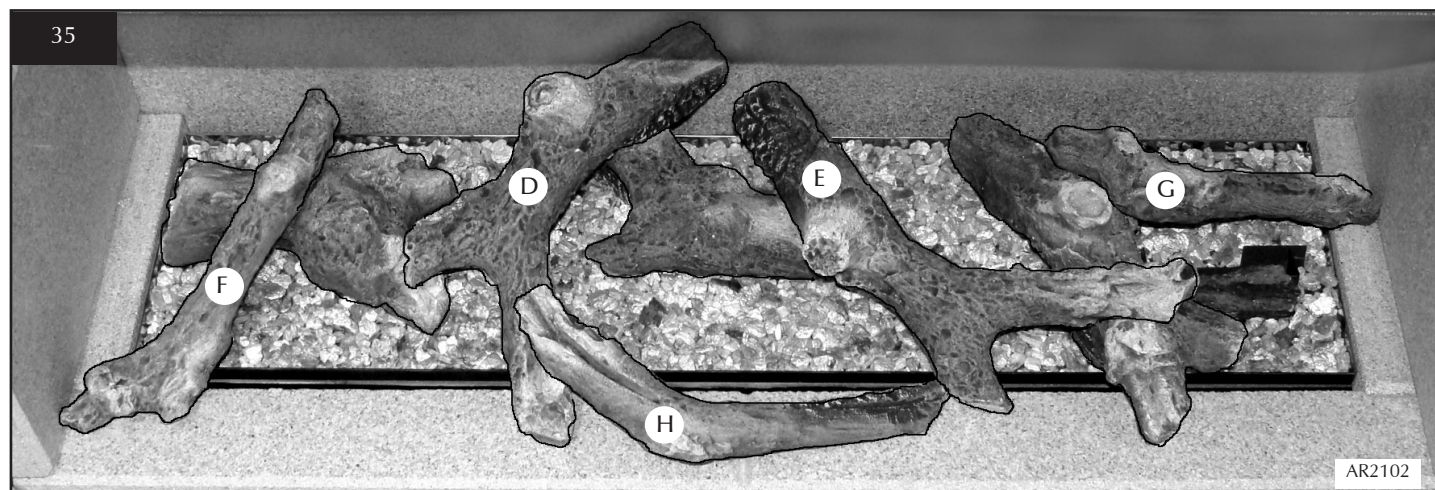


INSTALLATION INSTRUCTIONS

INSTALLATION

11.3 Diagram 35 shows the layout of logs D to H:

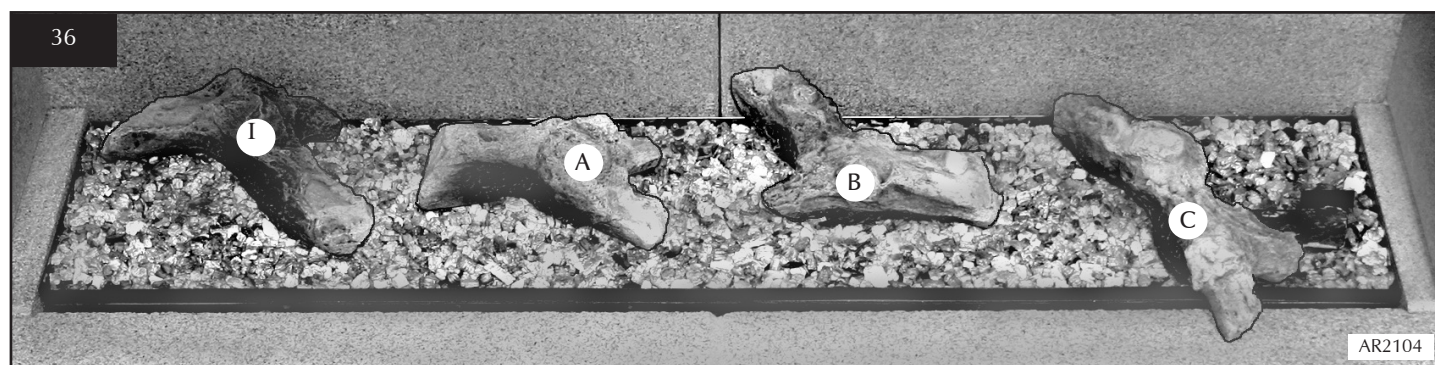
- Log D has a recess on the underside to fit onto the stud of Log B at the back left. The small branch of the log rests on Log A.
- A recess in the back of Log E fits the stud on Log B and its long branch rests snugly behind a wood knot of Log C



- Log F fits centrally onto Log A with its front edge resting on the front panel
- Log G is centrally positioned around the moulded wood knot of Log C and rests against the right side panel crossing the pilot shield beneath
- The small branch underneath Log H rests on the front panel and overlaps Log D just touching Log E

LAYOUT FOR STUDIO 2

11.4 Preparation with vermiculite and the ceramic bark pilot shield is the same as for Studio 1, see paragraph 6.1 above. All logs can be identified by the letters (A - J) on their underside. The first four logs, I, A, B and C also have holes to locate each onto a burner stud.

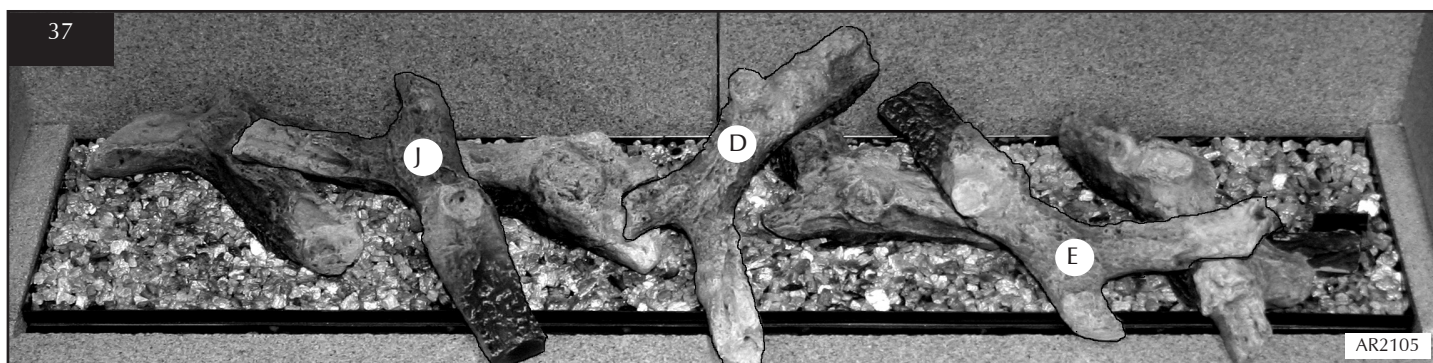


11.5 Diagram 37 shows the layout of logs D, E and J:

- Log D has a recess on the underside to fit onto the stud of Log B at the back left. The small branch of the log rests on Log A.
- A recess in the back of Log E fits the stud on Log B and its long branch rests snugly behind a wood knot of Log C

INSTALLATION INSTRUCTIONS

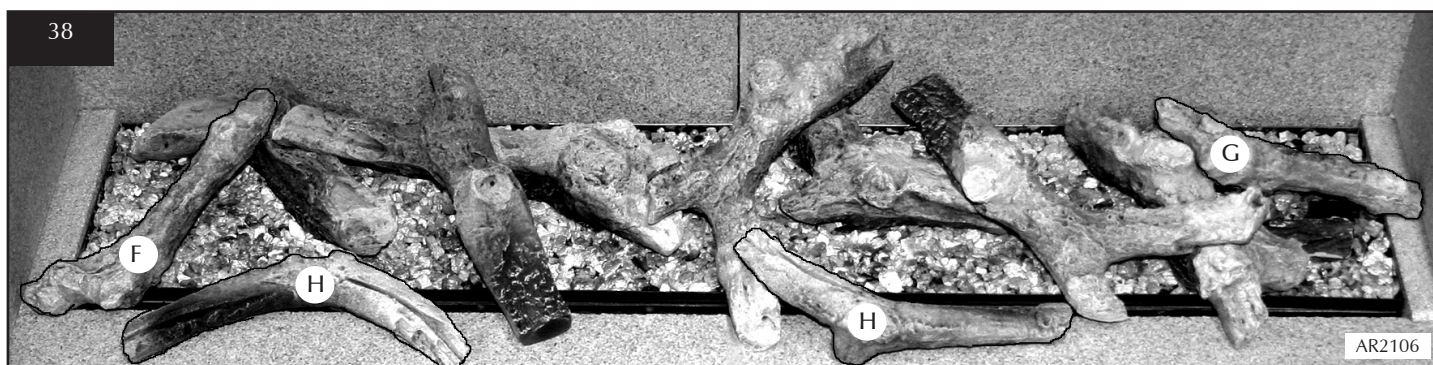
INSTALLATION



- The underside of log J has a moulded 'stop'. This rests about 12mm in from the left edge of Log A. The left branch of Log J also rests in the recess in Log I. See Diagram 12 above.

11.6 Diagram 13 shows the layout of the last four logs, F, G and two of log H:

- Log F fits centrally onto Log I with its front edge resting on the front panel.
- Log G is centrally positioned around the moulded wood knot of Log C and rests against the right side panel crossing the pilot shield beneath
- the first Log H rests on the front panel, overlapping Log D and touching Log E
- the second Log H rests anywhere on the front panel between F and J. **DO NOT LET THIS LOG OVERLAP THE BURNER.**



LAYOUT FOR STUDIO 3

LOGS MUST BE POSITIONED ACCORDING TO THE FOLLOWING INSTRUCTIONS TO GIVE THE CORRECT FLAME EFFECT

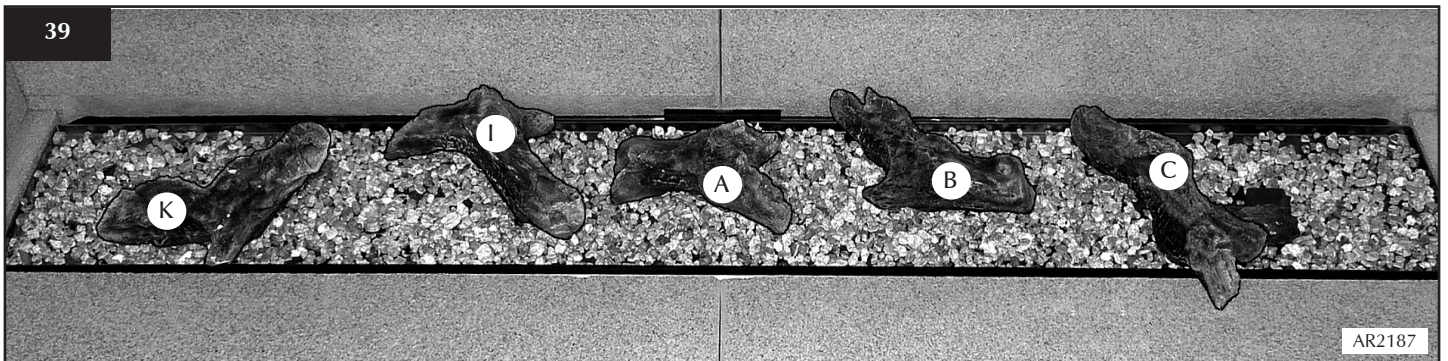
- 11.7
- Use all the vermiculite to fill the burner tray and spread evenly across the whole burner
 - Rest the ceramic bark against the front face of the pilot shield, Diagram 39

All logs can be identified by the letters (A - K) on their underside. The first five logs, K, I, A, B and C also have holes to locate each onto a burner stud.

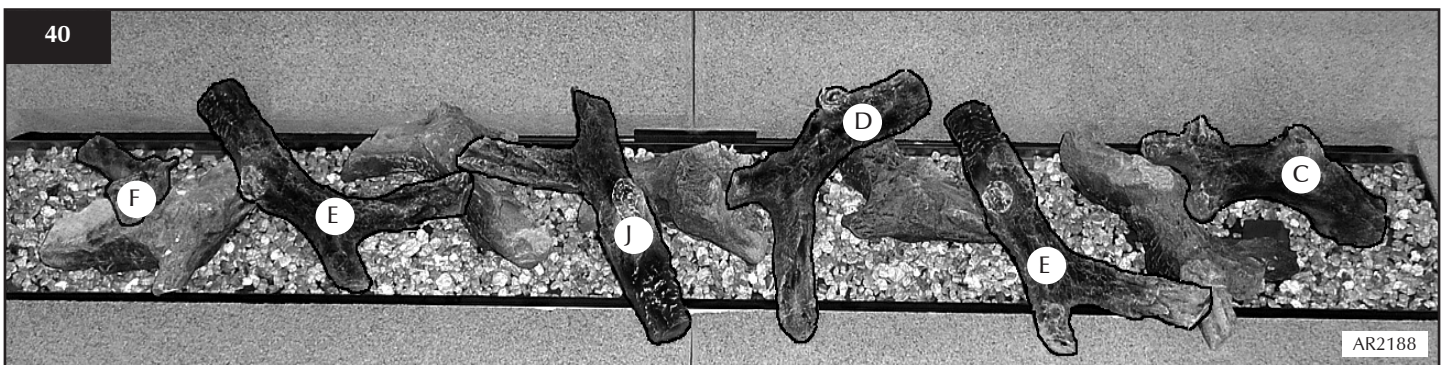
- Place logs K, I, A, B and C onto their studs as illustrated in Diagram 39

INSTALLATION INSTRUCTIONS

INSTALLATION

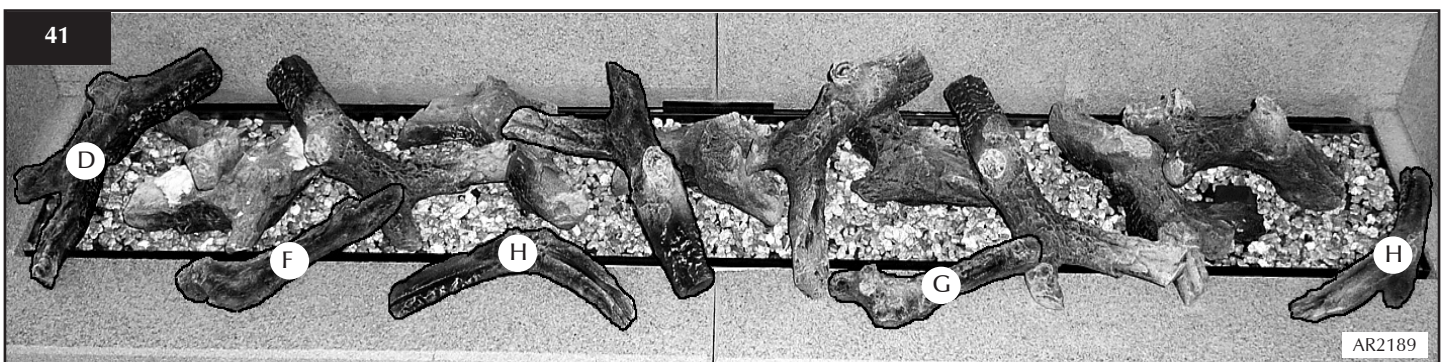


- 11.8 Diagram 40 shows the layout of logs F, E, J, D, E and C. Working from left to right:
- Log F rests in an indent in Log K with the letter on the underside facing down and a top stud lying towards the back left of the burner tray
 - Log E fits onto the stud on the back right of Log K. The right-hand branch rests against Log I. See Diagram 40.



- The underside of log J has a moulded 'stop'. This rests about 12mm in from the left edge of Log A. The left branch of Log J rests in a recess in Log I. See Diagram 40 above.
- Log D has a recess on the underside to fit onto the stud of Log B at the back left. The small branch of the log rests on Log A.
- A recess in the back of Log E fits the stud on Log B and its long branch rests snugly behind a wood knot of Log C
- The fork of the branches of Log C rest around the wood knot of Log C beneath and cross the pilot shield below.

- 11.9 Diagram 41 shows the layout of logs D, E, H, G, H. Working from left to right:
- Log D's recess fits the stud at the back left of Log F. The branch must overlap the side and front edge panels. See Diagram 41



- Log F rests on a little notch on the lower branch of Log E and overlaps the front edge panel. See Diagram 41.

INSTALLATION INSTRUCTIONS

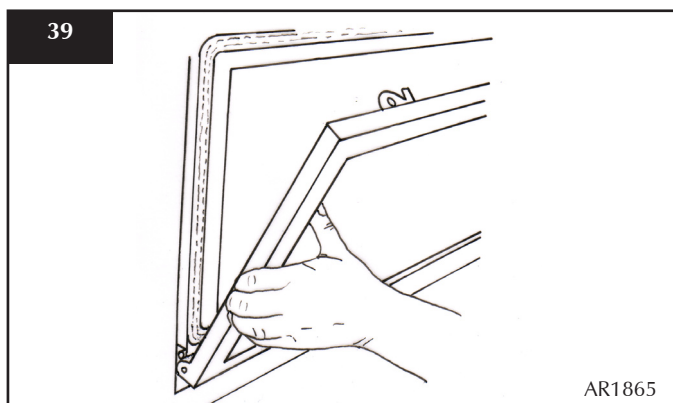
INSTALLATION

- Log H rests anywhere on the front panel between F and J.
- Log G rests against the lower branch of Log E as shown in Diagram 41
- the second Log H arches across the side and front panels. DO NOT LET THIS LOG SIT ON THE BURNER TRAY.

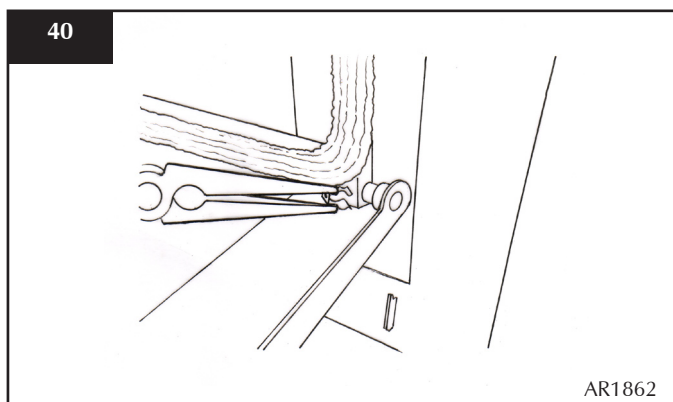
12. COMPLETION OF ASSEMBLY

12.1 To fit the window frame:

- Keep the frame in the upright position with the locks uppermost
- Offer the frame to the foot of the opening
- Slide the frame to the right to locate the right hinge pin



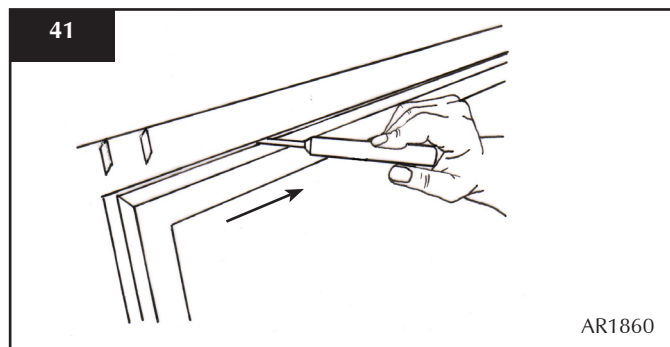
- 12.2
- Manoeuvre the frame up towards the left side to locate the left hinge pin
 - Slide onto the hinge with a right movement
 - Secure in place with a spring clip at the right hinge pin, Diagram 40



- Close the window

12.3 Using the allen key provided:

- Close the window locks by moving from open to shut towards the window centre



INSTALLATION INSTRUCTIONS

INSTALLATION/COMMISSIONING

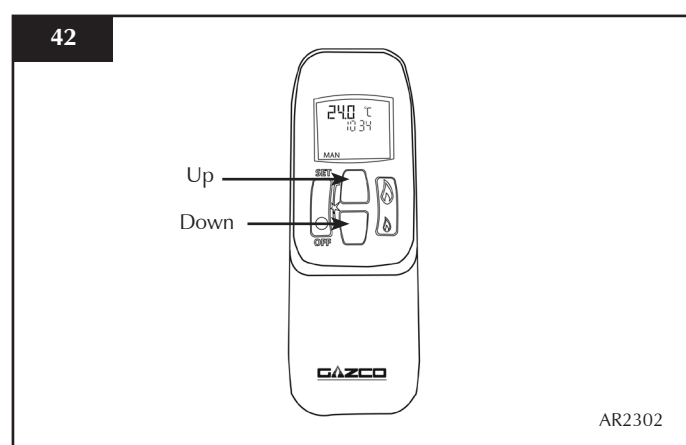
13. LIGHTING THE STUDIO

Note: The Emergency Shut Off switch must be in the ON position, refer to *Section 2, User Instructions*.

There are two ways of lighting the Studio:

- by thermostatic remote control
- using the fire's touch pad

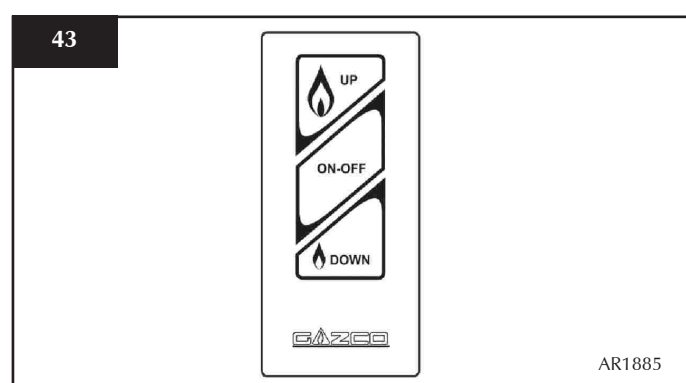
THERMOSTATIC REMOTE CONTROL



To light the appliance using the handset:

- Press OFF and UP buttons simultaneously
You hear a beep as the ignition process begins.

TOUCH PAD CONTROL



- Press the ON-OFF button to light the appliance, (up to 30 seconds)
- Press the UP button to increase the flame height.
- Press the DOWN button to decrease the flame height. At the lowest point it goes to 'standby mode', (only pilot lit)
- Press the ON-OFF button to turn the appliance off

1. COMMISSIONING

1.1 Complete the Commissioning Checklist at the front of this manual covering:

- Flue checks
- Gas checks
- Log/Pebble layout - flame picture

For working pressure test, use the access panel at the gas connection ensuring the burner is in position.

1.2 **In the unlikely event that the appliance is receiving interference from other electronic devices, re-programme the handset/Control box**

Reprogramming handset/Control box

To access the control box see *Servicing Instructions, Section 7 - Main Control Assembly*.

- Press and hold the reset button on the control box until you hear two signals. After the second longer signal:
 - Release the reset button and within 20 seconds
 - Press the DOWN button on the handset until you hear an additional long signal confirming the new code

SERVICING INSTRUCTIONS

SERVICING / FAULT FINDING CHARTS

1. SERVICING REQUIREMENTS

IMPORTANT – The glass panel on this appliance should be checked for any signs of damage on the front face of the glass panel (scratches, scores, cracks or other surface defects). If damage is observed, the glass panel must be replaced and the appliance must not be used until a replacement is installed. Under no circumstances should the appliance be used if any damage is observed. Please isolate the appliance until a replacement glass panel has been obtained and installed. Replacement glass panels can be purchased from Gazco via the dealer from which the appliance was purchased or any other Gazco distributor.

This appliance must be serviced at least once a year by a competent person.

All tests must be carried out in accordance with the current Gas Safe recommendations.

- 1.1 Before any tests are undertaken on the appliance:
 - Conduct a gas soundness test for the property to ensure there are no gas leaks prior to starting work
- 1.2 Fully check the operation of the appliance
 - Special checks
 - 1.2.1 Clean any lint or fluff from the pilot - pay particular attention to the aeration holes of the pilot
 - 1.2.2 Clean away any fluff or lint from under the burner
 - 1.2.3 Check the spark gap on the pilot is correct
 - Correct any faults found during the initial tests

- Recommission the appliance conducting the usual safety checks

1.3 Advise the customer of any remedial action taken.

REPLACE BATTERIES BEFORE ATTEMPTING TO RECTIFY ANY FAULTS.

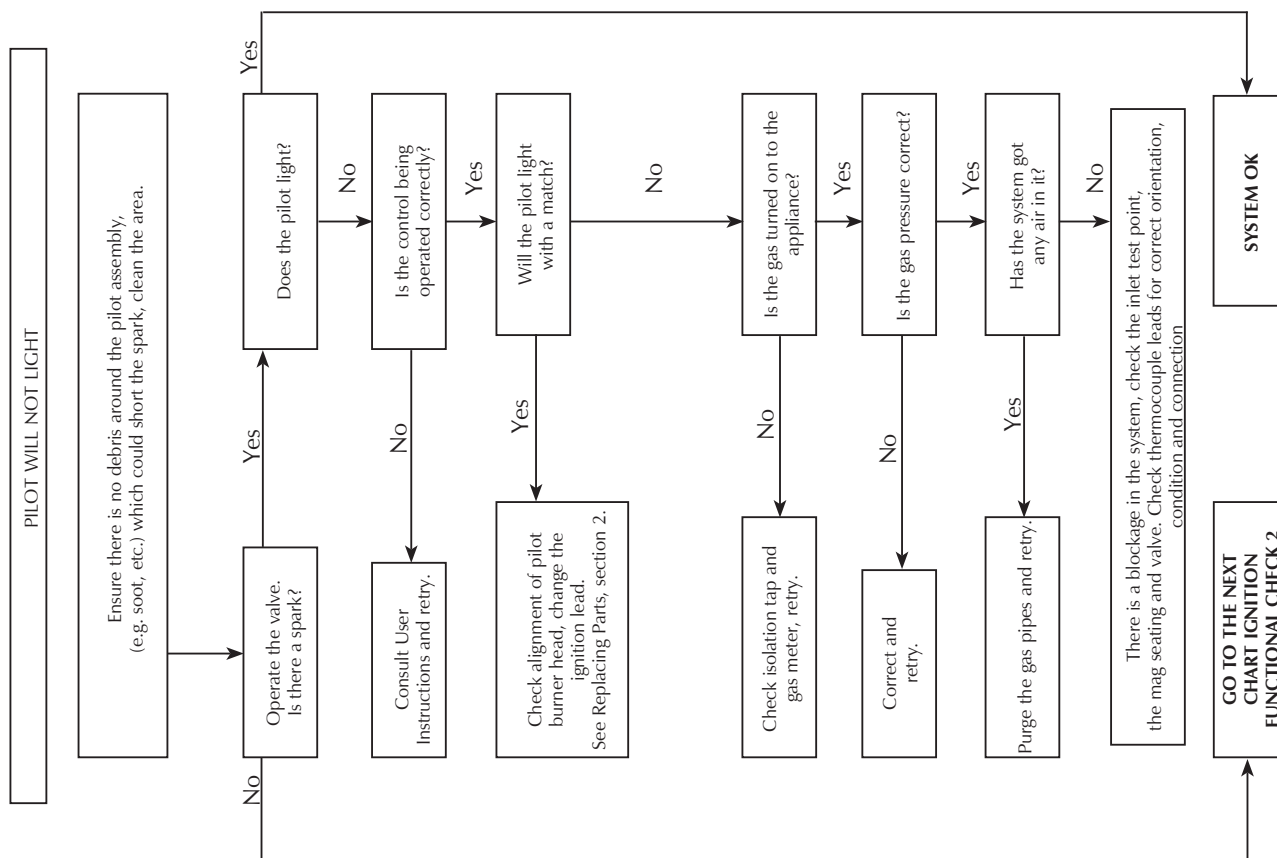
IF THE FIRE DOES NOT WORK, BUT HAS WORKED IN THE PAST:

- **CHECK THE EMERGENCY SHUT OFF SWITCH IN THE BOTTOM RIGHT CORNER BY THE DOOR IS SWITCHED ON, SEE USER SECTION, PAGE 6**

Electronic Control Valve Fault Analysis

Symptom	Cause	Remedy
3 Short beeps from control	Batteries low in appliance	Replace appliance batteries
No ignition, 5 second continuous tone (there may be several short beeps before)	1. On/Off switch is in OFF position 2. Loose/damaged wire	1. Move switch to ON position 2. Check interrupter block and wires
No ignition, no tone, motor turns slightly when operated	Receiver board damaged	Replace receiver
No pilot flame and control continues to spark	Thermocouple circuit wired incorrectly	Correct wiring
Pilot lights, control continues to spark, valve shuts down after 10 - 30 seconds	1. No spark at pilot burner 2. Loose/damaged wire	1. Rectify spark at pilot burner 2. Check interrupter and wires

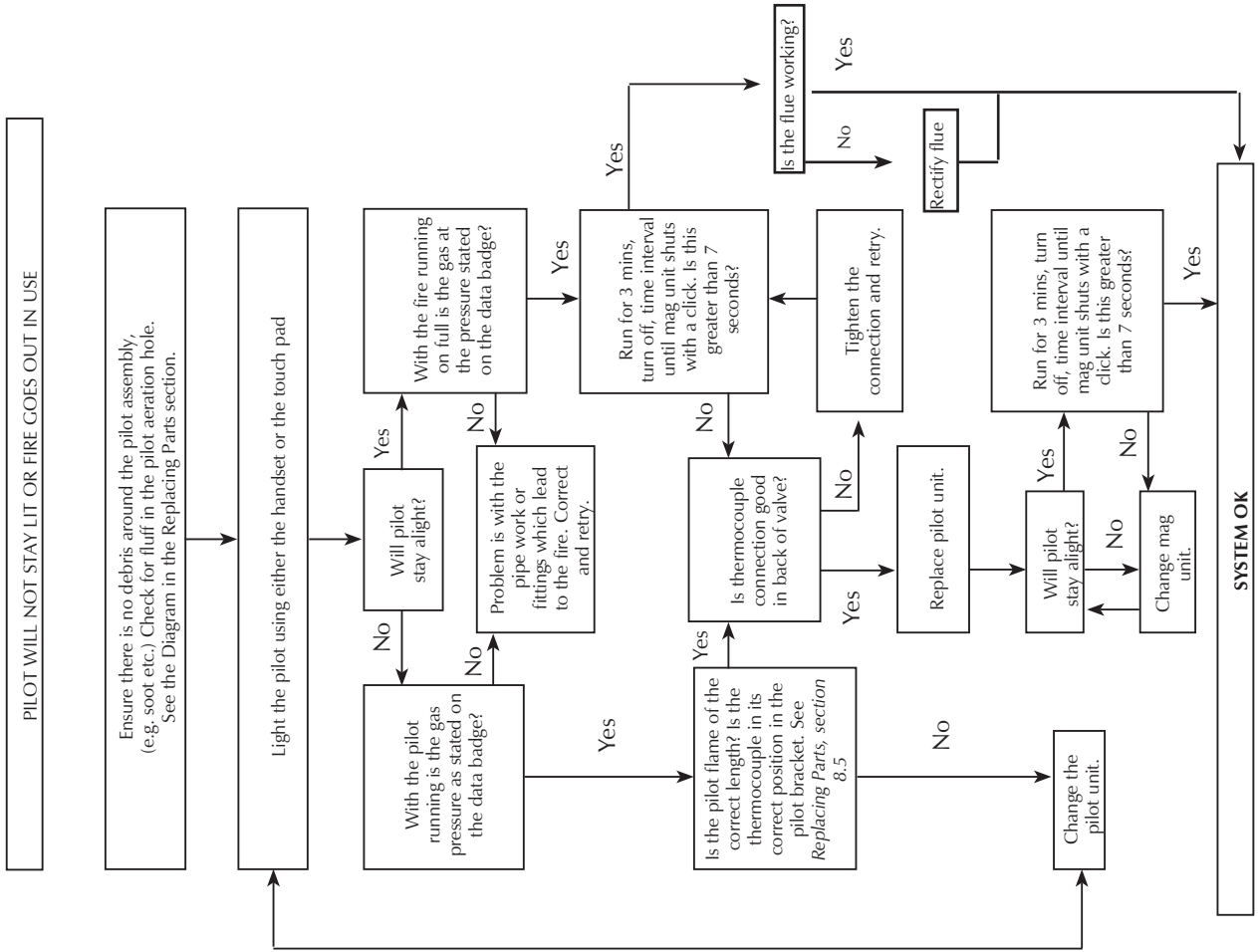
IGNITION FUNCTIONAL CHECK 1



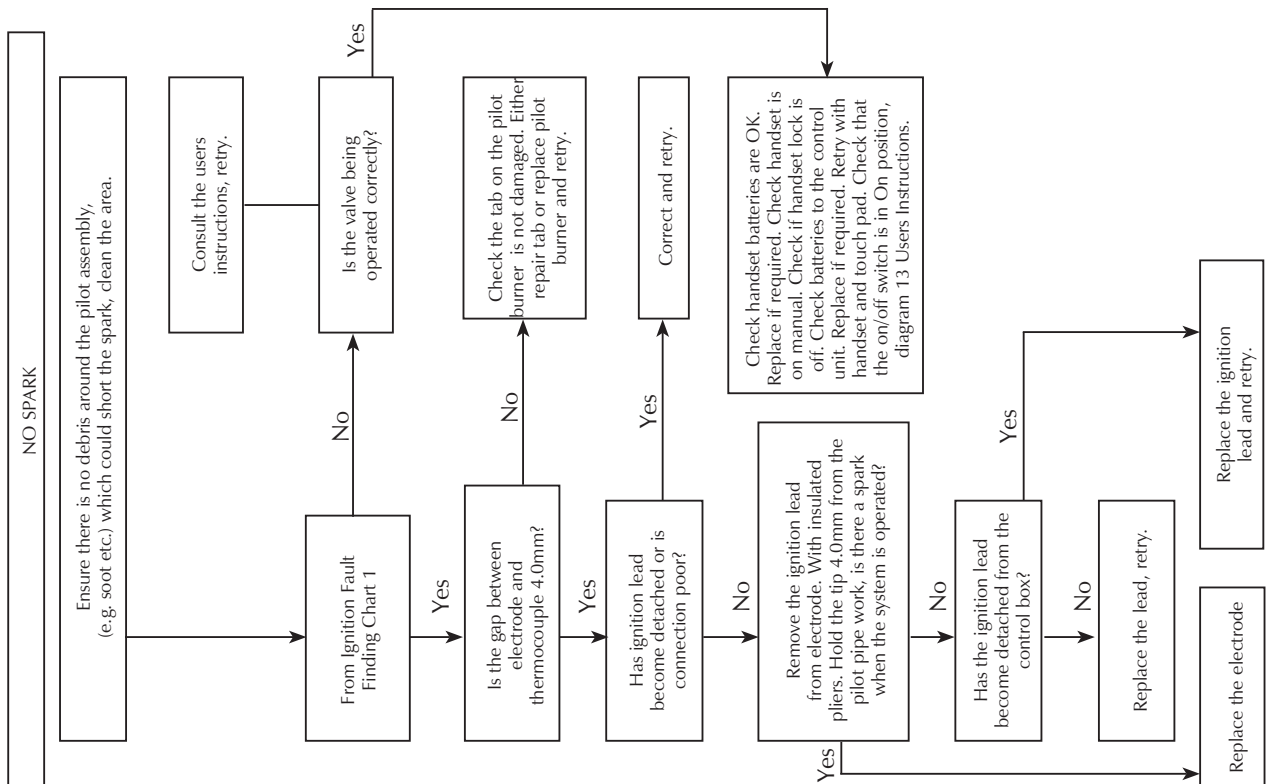
SERVICING INSTRUCTIONS

FAULT FINDING CHARTS

FLAME FAILURE FUNCTIONAL CHECK 3



IGNITION FUNCTIONAL CHECK 2



SERVICING INSTRUCTIONS

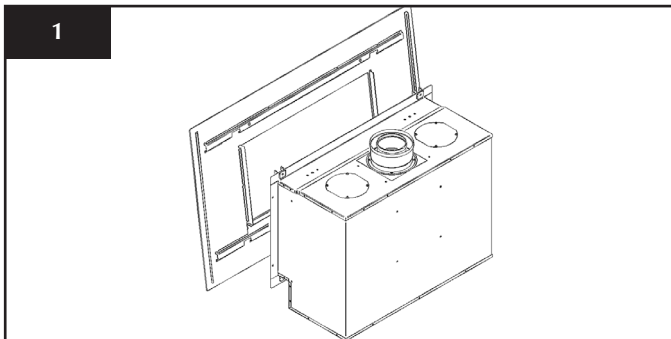
REPLACING PARTS

1. GENERAL

- 1.1 All main components can be replaced without removing the appliance from its installation. **IT IS ESSENTIAL THAT THE GAS SUPPLY TO THE APPLIANCE IS TURNED OFF AT THE ISOLATION DEVICE BEFORE PROCEEDING FURTHER.**
- 1.2 • **DISCONNECT BATTERIES BEFORE SERVICING THE APPLIANCE**
- 1.3 **Removal of Flue**
If, for any reason, the flue has to be removed from the appliance, the seal must be replaced in the inner spigot.
- 1.4 Access to the controls is restricted and the whole of the control assembly is to be removed as one unit. Refer to Section 7 below

2. DECORATIVE FRAME

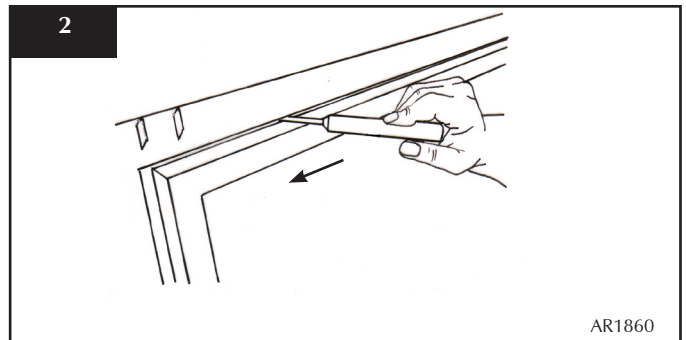
- 2.1 The same method is used to remove each frame.
 - Lift the frame upwards off the four support brackets, Diagram 1



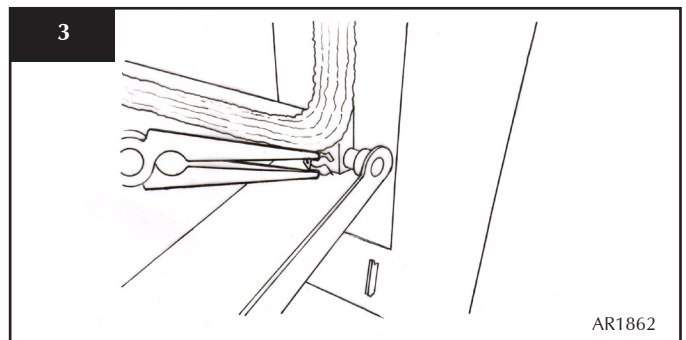
NOTE: THE STEEL FRAME IS HEAVY. TAKE CARE WHEN LIFTING

3. WINDOW FRAME ASSEMBLY

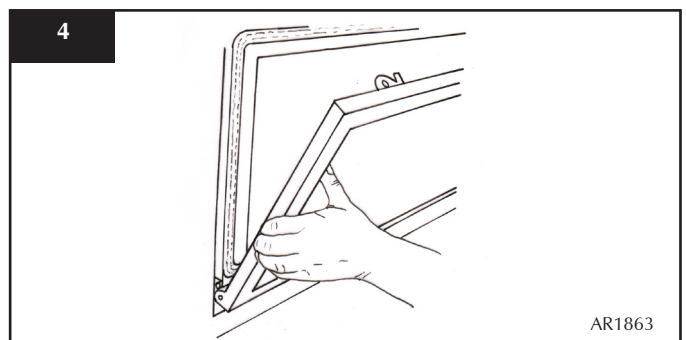
- 3.1 To open the glass door, use the allen key provided:
 - Release the window locksThe lock needs to be moved from shut to open towards the outer edges, Diagram 2



- 3.2 To completely remove the glass front:
 - Remove the securing spring clip from the bottom-right of the window frame, Diagram 3



- 3.3 With the window frame in an upright position:
 - Slide the frame to the left so that it comes off the left hinge pinStill keeping the frame upright:
 - Drop the left side down and forward slightly, Diagram 4



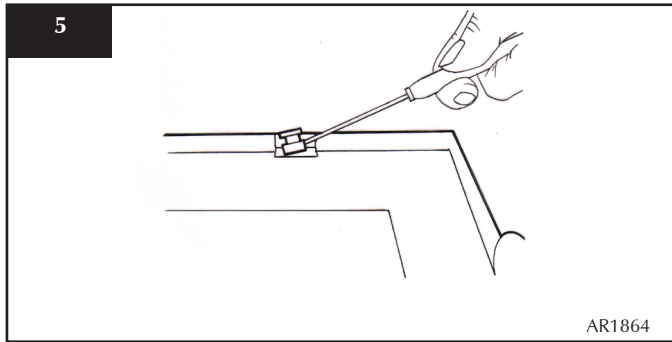
- Slide the frame to the right so that the frame comes off the right hinge pin. The window frame is now free.
- Refit in reverse order

SERVICING INSTRUCTIONS

REPLACING PARTS

4. GLASS WINDOW

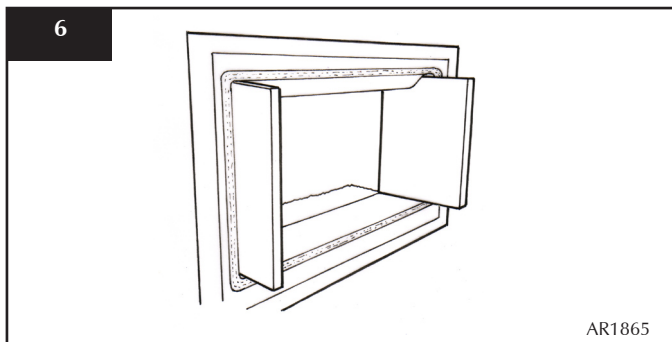
- 4.1 Remove the two clips and brackets from either side of the frame, Diagram 5



- Lift the glass clear from the lock bracket at the top of the frame and slide out

5. BLACK ENAMELLED PANELS FOR STUDIO WITH STONE CHIPPINGS

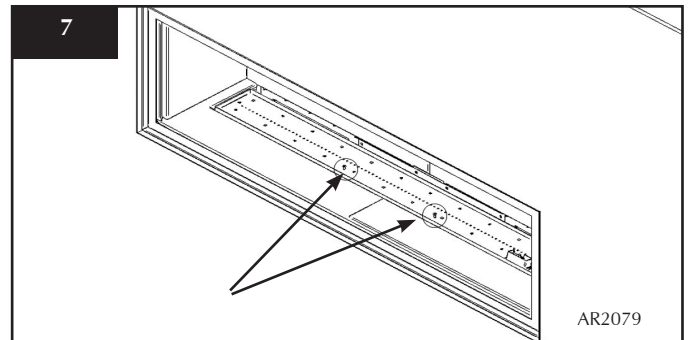
- 5.1 Slide the side panels forward until clear of the appliance, Diagram 6



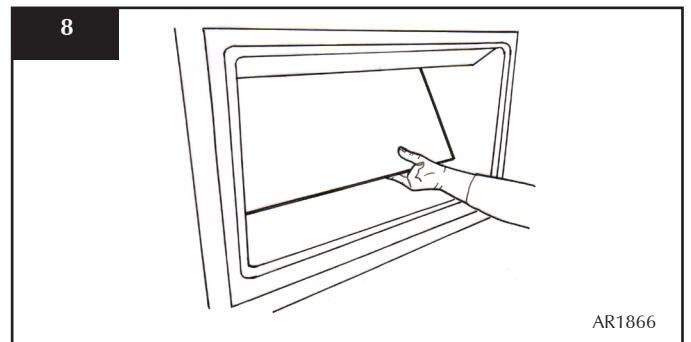
To pull the bottom panel forward and out of the appliance:

STUDIO 3 BF only

- Undo each screw on the left and right front of the burner tray as shown in Diagram 7



- 5.2 When you remove the back panel you need to first remove the main burner, see Section 6 below.
- Remove the main burner
 - Slide the lower edge of the back panel forward



- Lift the panel from the appliance, Diagram 8
- 5.3 To reassemble the panels in reverse order:
- At an angle, slide the top of the back panel into place before the lower edge is pushed back
 - Replace the main burner
 - Replace the bottom panel

6. VERMICULITE PANELS FOR STUDIO WITH LOGS

NOTE: STUDIO 1 & 2 FRONT PANELS AND STUDIO 2 REAR PANELS ARE IN TWO PIECES:

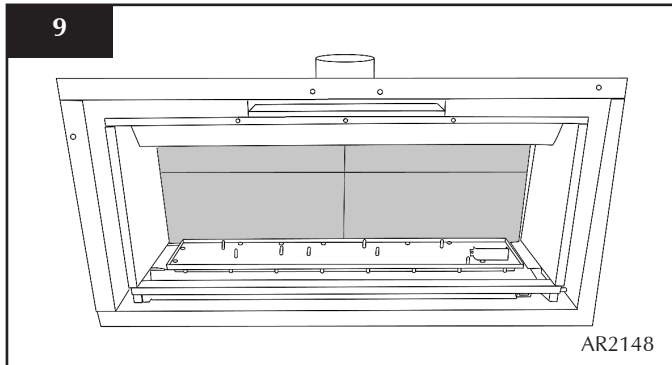
- **HOLD THE REAR PANELS UNTIL ALL THE OTHER PANELS ARE IN PLACE AS THEY CAN FALL FORWARD**
- Place the rear panel(s) behind the locating bracket on the rear support bar

The Studio 1 rear panel is already in place.

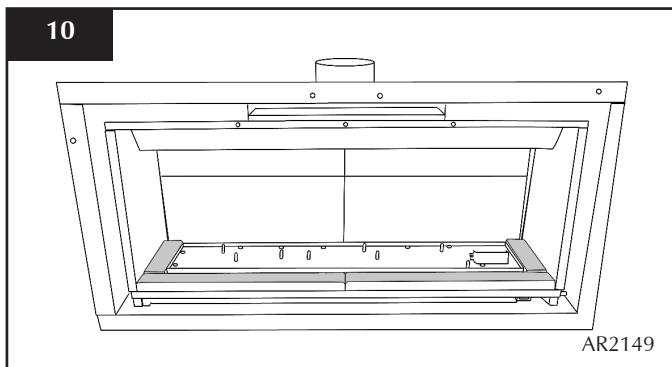
- Ensure the two-piece rear panels are centralised, with the chamfers touching and pushed together, Diagram 9

SERVICING INSTRUCTIONS

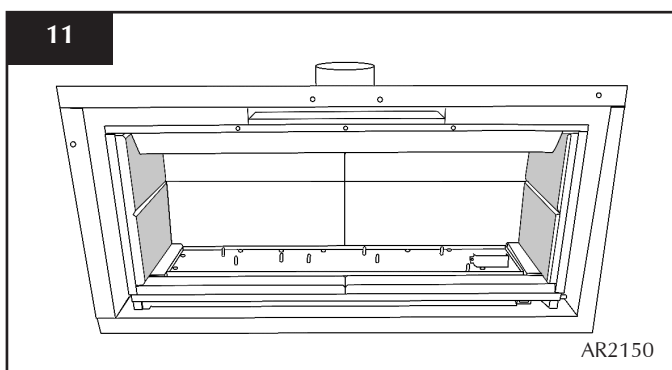
REPLACING PARTS



- Place the lower side and front panels in position so the chamfers meet at the front edge of the Burner.
- Ensure the two-piece front panels are engaged against the centre support tags on the Burner and are pushed together in the middle, Diagram 10



- Slide the two side panels up to the rear panel, Diagram 11



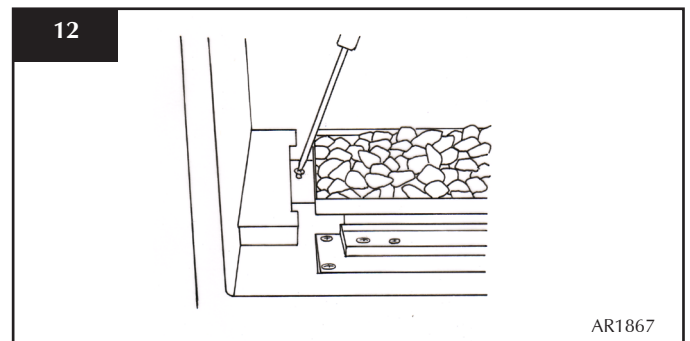
Note: THE HORIZONTAL CHAMFERS MUST ALIGN ON THE REAR AND SIDE PIECES.

- Replace the side panels

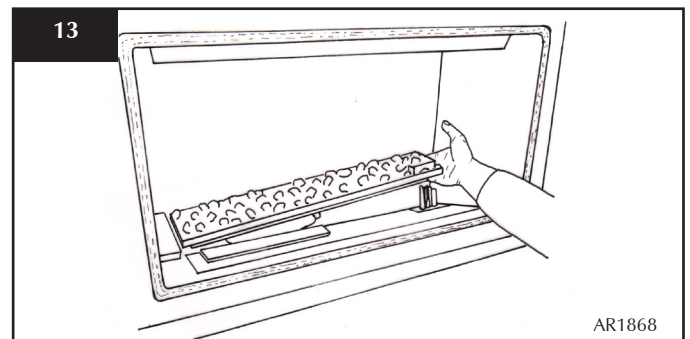
7. MAIN BURNER

7.1 To replace the main burner:

- Remove the stone chippings from the burner (optional)
- Remove the black enamelled panels, see Section 5
- Remove the burner securing screw from the left side of the burner, Diagram 12



- Slide the burner fully to the left
- Lift the right side clear of the pilot, Diagram 13



- Slide the burner to the right and out of its location
- Refit in reverse order

When refilling the stone chippings, fill to the level of the rim of the burner tray and flatten level.

Ensure no stone chippings fall into the pilot area.

8. MAIN CONTROL ASSEMBLY

8.1 To access the main control assembly, first remove:

- the decorative frame
- window frame
- enamelled panels
- main burner

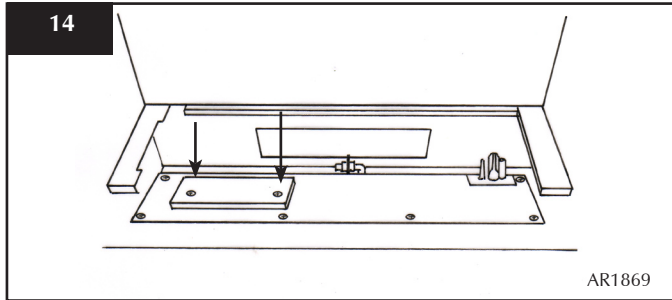
8.2 To remove the access panel:

- Undo the two screws, Diagram 14

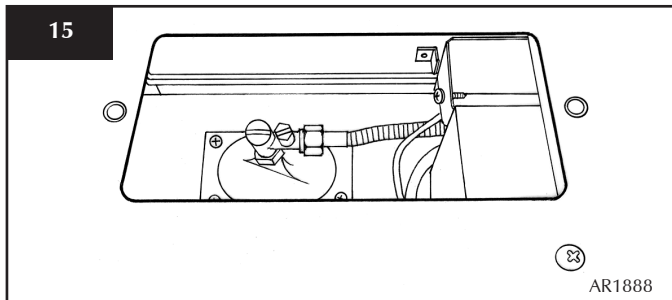
SERVICING INSTRUCTIONS

REPLACING PARTS

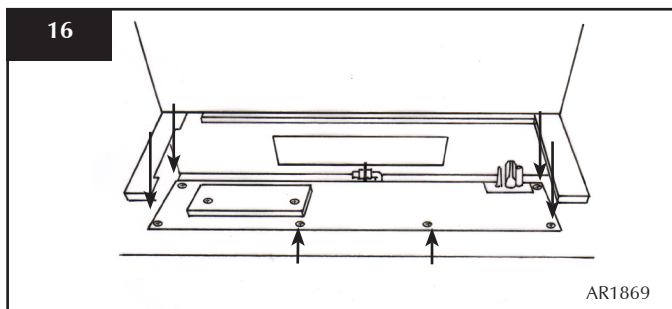
- Note the orientation of the access panel with the return edges facing forward



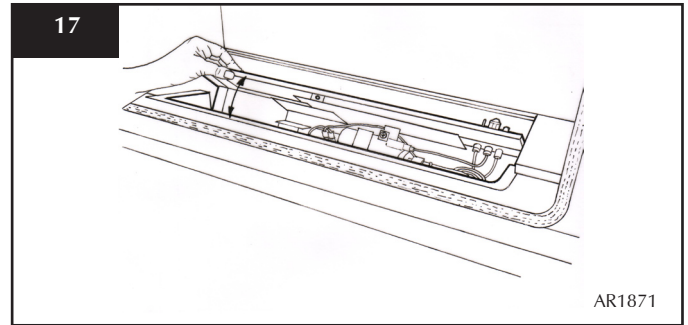
- 8.3 • Isolate the gas supply at the isolation device and disconnect the gas inlet, Diagram 15



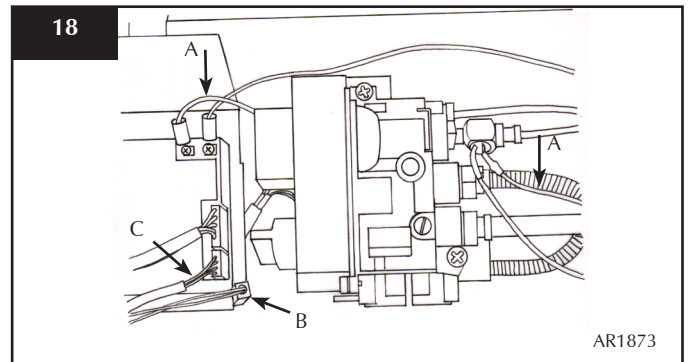
- 8.4 • Remove the six screws securing the control assembly, Diagram 16



- 8.5 The control panel can now be tilted back to reveal the controls, Diagram 17.



- 8.6 • Disconnect the two cables marked 'A' in Diagram 18



- Disconnect the battery extension lead, Diagram 15, B
 - Disconnect the touch pad extension lead, Diagram 14, C
- The control assembly can now be lifted up and removed.
- Reassemble in reverse order

9. PILOT UNIT ASSEMBLY

- 9.1 The pilot assembly consists of four components which can be individually changed:

1. Pilot burner bracket
2. Pilot injector
3. Electrode
4. Thermocouple

Before commencing work on the pilot the Main Control Assembly must be removed, see Section 7 above.

- 9.2 **Pilot Burner Bracket**

- Remove the electrode, see paragraph 8.3
- Remove the thermocouple, see paragraph 8.5
- Remove the pilot pipe
- Remove the two screws securing the bracket

The pilot burner bracket can now be removed.

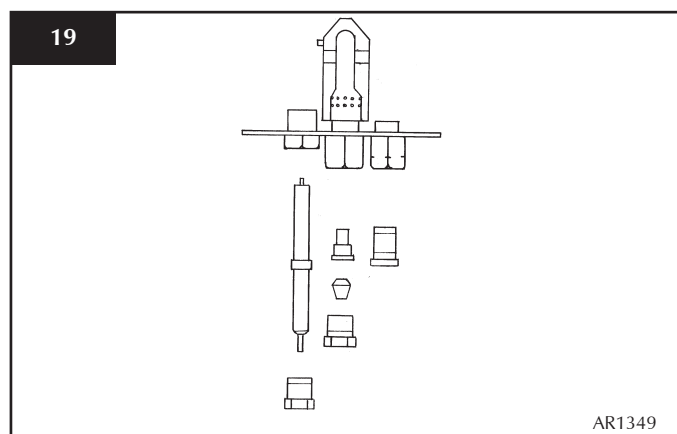
- Replace in reverse order
- Check the pilot gasket and if damaged, replace with a new one

SERVICING INSTRUCTIONS

REPLACING PARTS

9.3 Electrode

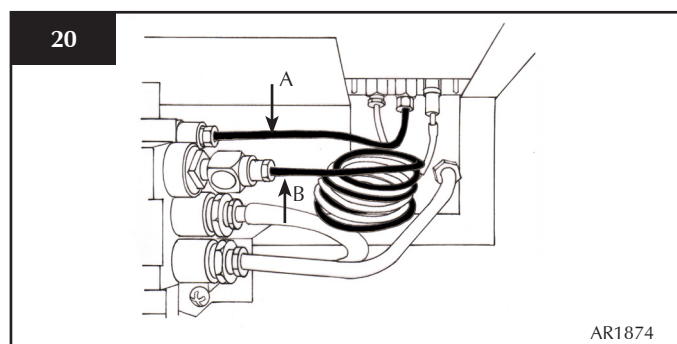
- Pull the ignition lead off the electrode and undo the retaining nut, Diagram 19



- Replace with a new electrode. Do not over-tighten the nut; this could break the component
- Replace the ignition lead

9.4 Pilot Injector

- Undo the pilot pipe from the gas valve and from the underside of the pilot burner, Diagram 20, Arrow A
- Remove the pipe and the injector drops out from the burner



9.5 Thermocouple

- Disconnect the thermocouple from the gas valve/interrupter, Diagram 17, Arrow B
- Undo the thermocouple nut in the back of the pilot bracket half a turn. This releases the thermocouple.

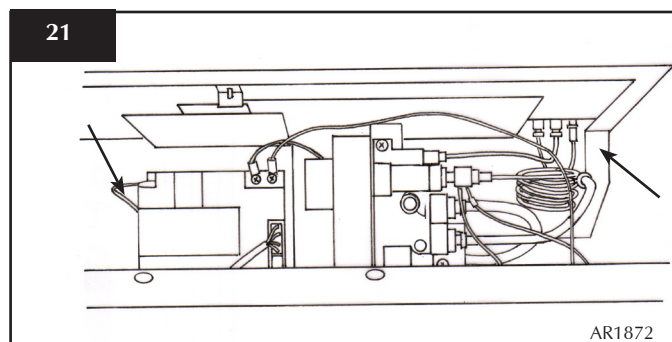
When replacing with a new thermocouple, take care to bend the new component to the same shape as the thermocouple just removed.

To refit the thermocouple into the pilot bracket, ensure it is pushed fully into the hole. There is a stop on the thermocouple to set the height.

- Lock the retaining nut just enough to grip the thermocouple

- Connect the thermocouple to the valve/interrupter and **take care not to over-tighten**

10. IGNITION LEAD



10.1 To replace the ignition lead:

- Release the Main Control Assembly and tilt backwards, see Section 7 above
- Remove the ignition lead from the control box, Diagram 21
- Remove the ignition lead from the electrode, Diagram 21

Note the direction of the lead. The new lead must follow exactly the same route.

NOTE: THE IGNITION LEAD MUST NOT PASS IN FRONT OF THE CONTROL BOX AS THIS CAN DAMAGE THE SENSITIVE ELECTRONICS.

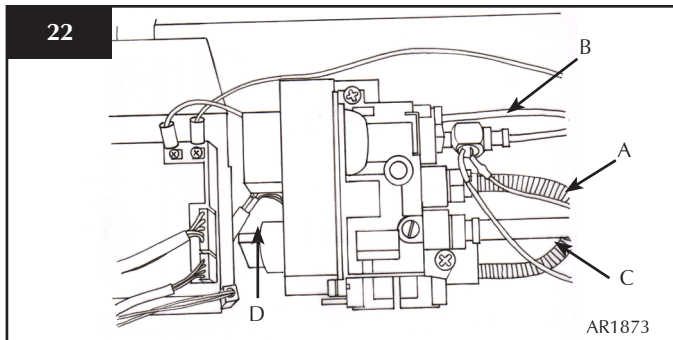
11. GAS VALVE

11.1 To change the gas valve:

- Remove the control assembly, Section 7
 - Release the gas inlet pipe, Diagram 22, Arrow A
 - Remove the thermocouple from the interrupter block and release the second thermo current cables
 - Release the pilot pipe, Diagram 22, B
 - Release the injector feed pipe, Diagram 19, C
 - Remove the wire cable, Diagram 22, D
 - Remove the two screws
- The valve can now be freed.

SERVICING INSTRUCTIONS

REPLACING PARTS



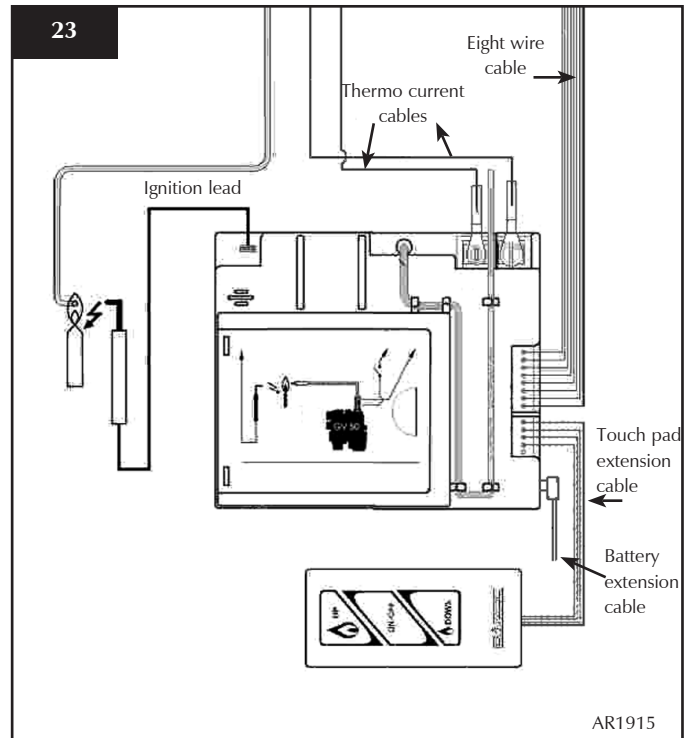
12. MAGNETIC SAFETY VALVE

12.1 To replace the magnetic safety valve:

- Undo the thermocouple from the interrupter block and remove the two thermo current cables
- Unscrew the interrupter block from the back of the valve
- Undo the silver magnetic valve retaining nut on the back of the valve.
- Gently tap out the mag valve
- Replace with a new unit
- Reassemble in reverse order

13. CONTROL BOX

- Remove the two thermo current cables by removing the two screws, Diagram 23
- Remove the ignition lead, Diagram 23
- Remove the eight loom wire from the control box, Diagram 23



- Remove the battery extension cable, Diagram 23
 - Remove the touch pad extension cable
- The control box can now be replaced.
- After replacing the control box you may need to reprogram the handset:
- Press and hold the reset button on the control box until you hear two signals. After the second longer signal:
 - Release the reset button and within 20 seconds
 - Press the DOWN button on the handset until you hear an additional long signal confirming the new code

14. MAIN INJECTOR

14.1 To change the main injector:

- Undo the injector fee pipe
- Undo the lock nut from the injector
- Replace with the correct size injector

Note: For Studio 3 BF, there are 2 main injectors.

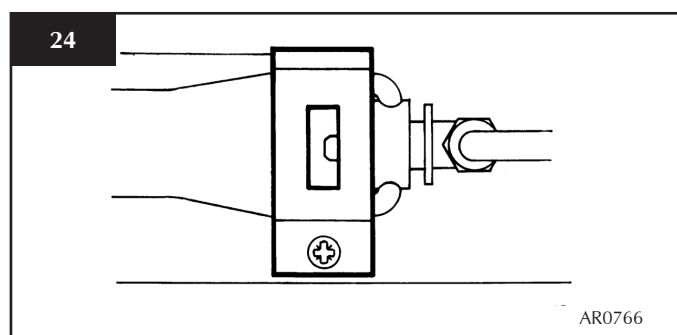
SERVICING INSTRUCTIONS

REPLACING PARTS

15. PRIMARY AERATION PLATE

NOT ALL MODELS HAVE AERATION PLATES. REFER TO NOTE AT BEGINNING OF INSTALLATION INSTRUCTIONS.

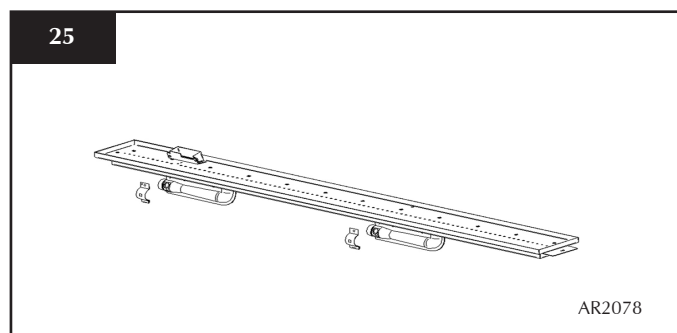
- 15.1 Remove the burner module as described in Servicing section 2.
- 15.2 Remove the fixing screw and slide the plate off the venturi.
- 15.3 Replace with the correct size plate and secure with the screw. Ensure the lower edge of the plate is located over the venturi flange, Diagram 24.



Studio 3 BF

The Studio 3 BF has two venturi. Ensure the correct aeration plates are fitted.

Aeration plates can vary between left and right hand venturi, Diagram 25.



16. CHANGING BETWEEN GAS TYPES

In order to change between gas types, it will be necessary to change the following items:

Burner Unit

Pilot Injector

Control Valve

Injector

Aeration Plate (if required)

Data badge

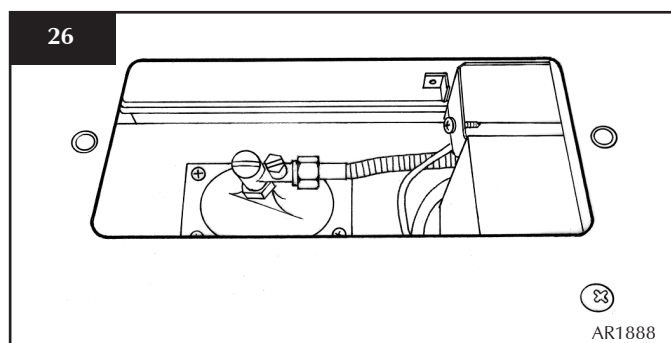
A kit of parts is available for this, always quote the Model number and Serial number when ordering any spare parts.

NOTE: THE CONTROL VALVE IS FACTORY PRESET FOR THE CORRECT GAS TYPE AND MODEL, A NEW UNIT WILL NEED TO BE ORDERED WHEN CHANGING BETWEEN GAS TYPES.

17. PRESSURE AND LEAK TESTING THE APPLIANCE

- 17.1 Follow *Section 7, Main Control Assembly, 7.1 and 7.2*

- Access to the pressure test point can now be reached, Diagram 26



- 17.2 To leak test any gas joints on the appliance, the control assembly must first be undone and tilted backwards, see Section 7, 7.5 Diagram 13

- 17.3 Because there is now no burner fitted to perform a leak test, place a manometer tube over the injector tip. [You need to block both injectors on Studio 3 models].

- Light the appliance and spray any joints with leak detector fluid
- Tighten joints or replace as required

SERVICING INSTRUCTIONS

REPLACING PARTS

18. SHORT SPARES LIST

STONE CHIPPINGS VERSIONS

COMPONENT	STUDIO 1 BF		STUDIO 2 BF		STUDIO 3 BF	
	NG	LPG	NG	LPG	NG	LPG
PILOT INJECTOR	PI0069	PI0070	PI0069	PI0070	PI0069	PI0070
MAIN INJECTOR	IN0007	IN0040	IN0005	IN0041	IN0052	IN0031
BURNER ASSEMBLY	GZ5983	GZ6363	GZ6417	GZ6418	GZ7081	GZ7082
AERATION PLATE	G20 - N/A	G31 - GZ2025	G20 - GZ2025	G31 - GZ2025	G20 2 x GZ3270	G31 2 x GZ3866
ELECTRODE	PI0075		PI0075		PI0075	
THERMOCOUPLE	PI0077		PI0077		PI0077	
MAG UNIT	GC0092		GC0092		GC0092	
IGNITION LEAD	GC0125		GC0125		GC0125	
GAS VALVE	GC0123		GC0123		GC0123	
CONTROL BOX	GC0150		GC0150		GC0150	
REMOTE CONTROL	GC0149		GC0149		GC0149	
INTERRUPTOR BLOCK	GC0124		GC0124		GC0124	
THERMOCURRENT CABLE	GC0126		GC0136	GC0126	GC0136	
THERMOCURRENT SWITCH CABLE	GC0128		GC0128		GC0145	
TOUCH PAD /WALL PLATE ASSEMBLY	GC0164		GC0164		GC0164	
TOUCH PAD LEAD	GC0144		GC0144		GC0144	
BATTERY HOLDER	EL0410		EL0410		ELO410	
BATTERY HOLDER CABLE	GC0138		GC0138		GC0138	
CONTROL BOX/VALVE CABLE	GC0133		GC0133		GC0133	
REAR ENAMELLED PANEL	GZ6491		GZ6622		2 x GZ7290	
SIDE ENAMELLED PANEL	GZ6492		GZ6830		2 x GZ6830	
BASE ENAMELLED PANEL	GZ6493		GZ6623		LH GZ7288 / RH GZ7289	
STONE CHIPPINGS	CE0732		CE0733		CE0734	

SERVICING INSTRUCTIONS

REPLACING PARTS

19. SHORT SPARES LIST

LOG VERSIONS

COMPONENT	STUDIO 1 BF		STUDIO 2 BF		STUDIO 3 BF	
	NG	LPG	NG	LPG	NG	LPG
PILOT INJECTOR	PI0069	PI0070	PI0069	PI0070	PI0069	PI0070
MAIN INJECTOR	IN0007	IN0040	IN0005	IN0058	IN0061	IN0055
BURNER ASSEMBLY	GZ7456	GZ7457	GZ7460	GZ7461	GZ7521	GZ7452
AERATION PLATE	G20 - GZ3966	G31 - GZ3866	G20 - GZ3866	G31 - GZ3269	LH-GZ2016 RH-GZ3966	LH-GZ2025 RH-GZ2025
ELECTRODE	PI0075		PI0075		PI0075	
THERMOCOUPLE	PI0077		PI0077		PI0077	
MAG UNIT	GC0092		GC0092		GC0092	
IGNITION LEAD	GC0125		GC0125		GC0125	
GAS VALVE	GC0123		GC0123		GC0123	
CONTROL BOX	GC0150		GC0150		GC0150	
REMOTE CONTROL	GC0149		GC0149		GC0149	
INTERRUPTOR BLOCK	GC0124		GC0124		GC0124	
THERMOCURRENT CABLE	GC0136		GC0136		GC0136	
THERMOCURRENT SWITCH CABLE	GC0128		GC0128		GC0145	
TOUCH PAD/WALL PLATE ASSEMBLY	GC0164		GC0164		GC0164	
TOUCH PAD LEAD	GC0144		GC0144		GC0144	
BATTERY HOLDER	EL0410		EL0410		EL0410	
BATTERY HOLDER CABLE	GC0138		GC0138		GC0138	
CONTROL BOX/VALVE CABLE	GC0133		GC0133		GC0133	
LINER BASE SIDE PIECE (2 PER APPLIANCE)	CE0673		CE0673		CE0673	
LINER BASE FRONT L/H PIECE	CE0677		CE0689		CE0736	
LINER BASE FRONT R/H PIECE	CE0706		CE0707		CE0737	
LINER BACK PANEL	CE0678		N/A		N/A	
LINER SIDE PANEL (2 PER APPLIANCE)	CE0679		CE0679		CE0679	
LINER BACK PANEL L/H SIDE	N/A		CE0690		CE0738	
LINER BACK PANEL R/H SIDE	N/A		CE0727		CE0735	
VERMICULITE (LOOSE)	CE0745		CE0746		CE0747	
LOG SET	CE0696		CE0729		CE0739	

SERVICE RECORDS

1ST SERVICE

Date of Service:.....
Next Service Due:.....
Signed:.....
Dealer's Stamp/Gas Safe Registration Number

2ND SERVICE

Date of Service:.....
Next Service Due:.....
Signed:.....
Dealer's Stamp/Gas Safe Registration Number

3RD SERVICE

Date of Service:.....
Next Service Due:.....
Signed:.....
Dealer's Stamp/Gas Safe Registration Number

4TH SERVICE

Date of Service:.....
Next Service Due:.....
Signed:.....
Dealer's Stamp/Gas Safe Registration Number

5TH SERVICE

Date of Service:.....
Next Service Due:.....
Signed:.....
Dealer's Stamp/Gas Safe Registration Number

6TH SERVICE

Date of Service:.....
Next Service Due:.....
Signed:.....
Dealer's Stamp/Gas Safe Registration Number

7TH SERVICE

Date of Service:.....
Next Service Due:.....
Signed:.....
Dealer's Stamp/Gas Safe Registration Number

8TH SERVICE

Date of Service:.....
Next Due:.....
Signed:.....
Dealer's Stamp/Gas Safe Registration Number

9TH SERVICE

Date of Service:.....
Next Service Due:.....
Signed:.....
Dealer's Stamp/Gas Safe Registration Number

10TH SERVICE

Date of Service:.....
Next Service Due:.....
Signed:.....
Dealer's Stamp/Gas Safe Registration Number

Gazco Limited, Osprey Road, Sowton Industrial Estate, Exeter, Devon, England EX2 7JG
Tel: (01392) 261999 Fax: (01392) 444148 E-mail: info@gazco.com

A member of the Stovax Group