

Studio 22 *Balanced Flue*

Instructions for Use, Installation and Servicing

For use in GB, IE (Great Britain and Republic of Ireland)

IMPORTANT

This product contains a Heat resistant glass panel. This panel should be checked during Installation and at each servicing interval. If any damage is observed on the front face of the glass panel (scratches, scores, cracks or other surface defects), the glass panel must be replaced and the appliance must not be used until a replacement is installed. Under no circumstances should the appliance be used if any damage is observed, the glass panel is removed or broken.

Parts of this appliance will become hot during operation; it is therefore recommended that a suitable guard should be used for protection of young children, the elderly or infirm.

This appliance is guaranteed for 2 years (subject to the conditions on page 3 of this Instruction manual). The second year of the guarantee will only be valid if the annual service recommended in this Instruction manual has been completed by a GasSafe registered engineer, and a copy of the service report is available for inspection by a Gazco engineer.

These Instructions must be left with the appliance for future reference and for consultation when servicing the appliance. Please make the customer aware of the correct operation of the appliance before leaving these instructions with them.

The commissioning sheet found on Page 3 of this Instruction manual must be completed by the Installer prior to leaving the premises.

COVERING THE FOLLOWING MODELS:

STUDIO 22 BALANCED FLUE

	PAGE
APPLIANCE COMMISSIONING CHECKLIST	3
USER INSTRUCTIONS	4
INSTALLATION INSTRUCTIONS	13
Technical Specifications	13
Site Requirements	16
Installation	20
Commissioning	37
SERVICING INSTRUCTIONS	37
Fault Finding	38
How to replace parts	41
Basic spare parts list	47
Service Records	48

APPLIANCE COMMISSIONING CHECKLIST

IMPORTANT NOTICE

Explain the operation of the appliance to the end user, hand the completed instructions to them for safe keeping, as the information will be required when making any guaranteed claims.

FLUE CHECK	PASS	FAIL
1. Flue is correct for appliance		
2. Flue flow test N/A		
3. Spillage test N/A		
GAS CHECK		
1. Gas soundness & let by test		
2. Standing pressure test	mb	
3. Appliance working pressure (on High Setting) NB All other gas appliances must be operating on full	mb	
4. Gas rate	m ³ /h	
5. Does ventilation meet appliance requirements	N/A	

DEALER AND INSTALLER INFORMATION

Dealer

.....

.....

Contact No.....

Date of Purchase.....

Model No.....

Serial No.....

Gas Type.....

Installation Company

.....

.....

Engineer

Contact No.....

Gas Safe Reg No.

Date of Installation

This product is guaranteed for 2 years from the date of installation, as set out in the terms and conditions of sale between Gazco and your local Gazco dealer. **This guarantee will be invalid, to the extent permitted by law, if the above Appliance Commissioning Checklist is not fully completed by the installer and available for inspection by a Gazco engineer.** The guarantee will only be valid during the second year, to the extent permitted by law, if the annual service recommended in the Instructions for Use has been completed by a Gas Safe registered engineer, and a copy of the service visit report is available for inspection by a Gazco engineer.

USER INSTRUCTIONS

1. GENERAL

In the event of a gas escape or if you can smell gas, please take the following steps:

- Immediately turn off the gas supply at the meter/emergency control valve
- Extinguish all sources of ignition
- Do not smoke
- Do not operate any electrical light or power switches (On or Off)
- Ventilate the building(s) by opening doors and windows
- Ensure access to the premises can be made

Please report the incident immediately to the National Gas Emergency Service Call Centre on 0800 111 999 (England, Scotland and Wales), 0800 002 001 (N. Ireland) or in the case of LPG, the gas supplier whose details can be found on the bulk storage vessel or cylinder.

The gas supply must not be used until remedial action has been taken to correct the defect and the installation has been recommissioned by a competent person.

- 1.1 Installation and servicing must only be carried out by a competent person whose name appears on the Gas Safe register. To ensure the engineer is registered with Gas Safe they should possess an ID Card carrying the following logo:



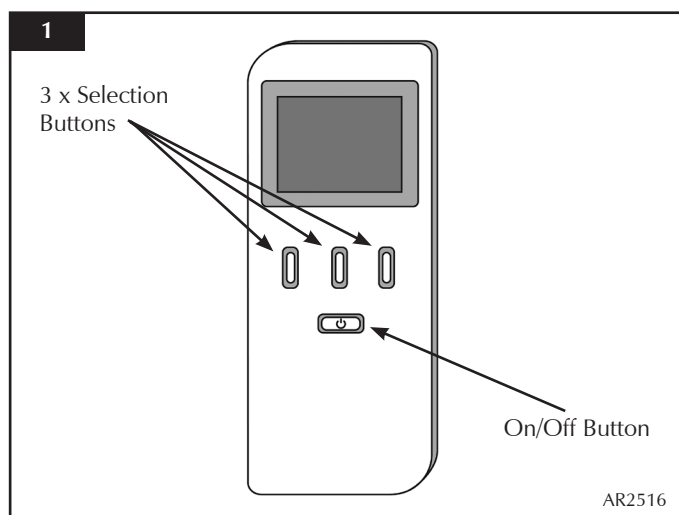
- 1.2 In all correspondence, please quote the appliance type and serial number, which can be found on the data badge located on a plate attached to the lower slotted trim.
- 1.3 **Do not** place curtains above the appliance: You must have 300mm (1') clearance between the appliance and any curtains at either side.
- 1.4 If any cracks appear in the glass panel do not use the appliance until the panel has been replaced.
- 1.5 In the unlikely event the appliance is receiving interference from other electronic devices, the handset/Control box can be reprogrammed. Please consult your dealer if you think this may be the case.
- 1.6 This product is guaranteed for 2 years from the date of installation, as set out in the terms and conditions of sale between Gazco and your local Gazco dealer. Please consult with your local Gazco dealer if you have any questions. In all correspondence always quote the Model Number and

Serial Number.

IMPORTANT : NEVER position an LCD/Plasma TV above this appliance.

2. OPERATING THE APPLIANCE

- 2.1 The appliance can be operated in two ways:
- Using the fully programmable remote control unit.
 - Using the touch pad control on the wall switch.
- 2.2 The appliance has four flame settings which can be controlled manually or automatically via temperature sensing:
1. Standby (Pilot only).
 2. Low (Pilot lit and main burner lit at the minimum flame setting).
 3. Med (Pilot lit and main burner lit at the medium flame setting).
 4. High (Pilot lit and main burner lit at the highest flame setting).



2A. FULLY PROGRAMMABLE REMOTE CONTROL HANDSET

- 2.3 The remote control handset has been factory set to only communicate with the appliance it is supplied with. The appliance will not respond to any other remote control, even one from an identical appliance.

Note: In the event of a replacement handset being acquired, pairing of the handset with the appliance will need to be carried out. Please refer to Commissioning, Section 2, Pairing Handset on page 37.

USER INSTRUCTIONS

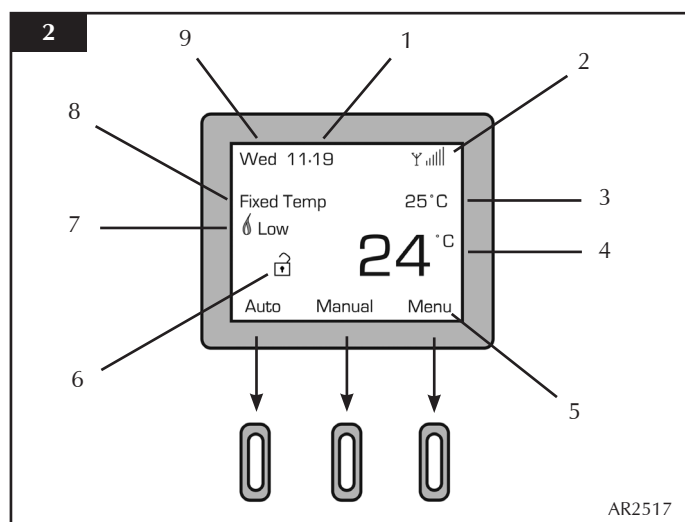
2.4 The handset has been factory configured with the following options:

- a) Auto thermostat mode enabled - the flame height will alter automatically to achieve a desired room temperature (when set).
- b) Gap temperature set at 2°C - if the handset temperature display falls 2°C below the fixed temperature when in standby mode (pilot only) the appliance will automatically ignite the main burner at the low flame setting.
- c) Programming - allowing a daily or weekly program of operation to be set.
- d) Soft start enabled - in thermostat mode there is a 10 second delay between flame settings when more than one change of setting is required (i.e. from High to Low).
- e) Sounder ON - accepted operations via the handset will initiate a beep from the appliance control.
- f) Safety Temperature - pre-set to switch the appliance off if the remote temperature display exceeds 40°C.

Before using the remote control:

- 2.5 Ensure batteries are fitted (2x AA 1.5v high quality (Duracell or similar) alkaline - DO NOT USE RECHARGEABLE).
- 2.6 If there is no display on the LCD screen press any key.

NOTE: To select a function from the options displayed at the bottom of the screen press the button directly below the desired function (see Diagram 2).



- 2.7 When first powered, the handset displays the OFF screen. The handset may also be locked as indicated by the symbol (🔒).
- 2.8 To unlock the handset select Unlock followed by OK - the symbol will change to (🔓).

2.9 The LCD screen displays the following information (see Diagram 2):

- 1) Time
- 2) Signal strength (between handset and appliance)
- 3) Selected Setting - selected flame setting (highlighted) or desired temperature if in auto mode
- 4) Current room temperature
- 5) Button function
- 6) Child lock status
- 7) Current flame status
- 8) Selected Mode - Manual / Auto (Thermo / Fixed Temp) / Program - when appliance is switched on
- 9) Day of the week

To set or adjust the items on the display:

- 2.10 Select Menu from the bottom right of the main screen.
- 2.11 Select Adjust Menu.

In this menu it is possible to set the:

- Temperature Unit (°C or °F)
- Language
- Autolock (On/Off)
- Day
- Hour
- Minute
- Comfort temperature
- Night temperature

In addition access can be gained to the programmable functions via the Change Prog option (see Section 2C).

Note: The current day and time must be set in order for the programmable functions to work.

- 2.12 Using the button below the symbol (↓) scroll down to Day and press the button below Select. Use the buttons below the symbols (↑) and (↓) to set the day of the week.
- 2.13 Press the button below Back, scroll down to Hour and select it. Use the buttons below the symbols (↑) and (↓) to set the hour.
- 2.14 Press the button below Back, scroll down to Minute and select it. Use the buttons below the symbols (↑) and (↓) to set the minutes.
- 2.15 The same process can be used to set any of the functions within this menu.

USER INSTRUCTIONS

2.16 There are 3 different modes available for controlling and operating the appliance:

1. Manual Mode
2. Automatic Mode
3. Program Mode

Refer to Section 2B for full details.

NOTE: WHEN OPERATING THE APPLIANCE IN AUTOMATIC OR PROGRAM MODE, THE PILOT REMAINS LIT AND THE MAIN BURNER AUTOMATICALLY SWITCHES ON AT PROGRAMMED TIMES TO BRING THE ROOM TO THE SET TEMPERATURE WHETHER OR NOT YOU ARE IN THE ROOM. NEVER LEAVE ANY COMBUSTIBLE MATERIALS WITHIN 1 METRE OF THE FRONT OF THE APPLIANCE.

2B. SETTING THE MODE OF OPERATION

1. Manual Mode

The Manual mode can be used to turn the appliance on and alter flame height and, therefore, temperature.

To use the manual mode of operation:

- 2.17 If there is no display on the LCD screen press any key.
- If the appliance is off (no pilot flame) the handset will display the word OFF.
- The handset may also be locked as indicated by the symbol (🔒).
- 2.18 To unlock the handset select Unlock followed by OK - the symbol will change to (🔓).
- 2.19 Select On followed by OK. The appliance will emit a single beep and the pilot will light.
- Note: There may be a slight delay between pressing the remote and the appliance responding.
- 2.20 Select Manual and the screen will highlight the current flame setting (Pilot).
- 2.21 To light the main burner select (↑). The screen will highlight the current flame setting (Low) and the main burner will light at the Low setting.
- 2.22 Use the buttons directly below the symbols (↓) and (↑) to increase or decrease the flame setting between the Pilot and the High setting.
- 2.23 To turn off the appliance press the ON/OFF button once (see Diagram 1).
- 2.24 To lock the handset select Lock.

NOTE: If the Safety Temperature (see Section 2.4 f) is exceeded then the appliance will turn itself off. The appliance can not be turned on again until the room temperature has dropped below the safety temperature.

2. Auto Mode

The auto mode of operation allows the user to pre-set the desired room temperature. The appliance will control the flame setting automatically to maintain this temperature.

To use the auto mode of operation:

- 2.25 If there is no display on the LCD screen press any key.
- 2.26 If the appliance is off (no pilot flame) the handset will display the word OFF.
- 2.27 The handset may also be locked as indicated by the symbol (🔒).
- 2.28 To unlock the handset select Unlock followed by OK - the symbol will change to (🔓).
- 2.29 Select On followed by OK. The appliance will emit a single beep and the pilot will light.
- 2.30 Select Auto. The screen will display the word Thermo and the set room temperature will be highlighted.
- 2.31 To adjust the desired room temperature use the buttons directly below the symbols (↓) and (↑). The set temperature can be adjusted between 0°C and 37°C.
- The flame setting required to achieve the desired room temperature will be displayed below the word Thermo.
- 2.32 In accordance with the factory configurations the following will apply:
- a) For every 1°C below the set temperature the flame height will increase.
 - b) For every 1°C above the set temperature the flame height will decrease.
 - c) There will be a delay of 10 seconds between each automatic flame setting adjustment.
- 2.33 Once the desired room temperature has been set, select Back to return to the main screen.
- 2.34 The main screen will now display the words Fixed Temp, the set temperature (e.g. 21°C) and the current room temperature (largest number). To change the set temperature at any time select Auto and follow 2.31 above.
- 2.35 To exit the Auto mode at any time select Manual from the bottom of the screen and follow Section 2.18 - 2.25.

USER INSTRUCTIONS

3. Program Mode

The program mode of operation allows the appliance to be pre-set to a choice of temperature options on a daily or weekly cycle. The appliance will automatically operate and control the flame setting to maintain pre-set hourly temperatures during each 24hr period. **To set a daily row weekly program please refer to Section 2C.**

LOW BATTERY

If the batteries in the remote control handset become discharged the LCD display will show the message Low Battery.

NOTE: Only replace the handset batteries with high quality (Duracell or similar) type AA 1.5v alkaline. DO NOT USE RECHARGEABLE BATTERIES.

REMOTE SIGNAL STRENGTH

- 2.36 If the appliance does not respond to the handset, check the strength of the reception signal in the top right hand corner of the LCD display (Y▯▯▯).

If there are no vertical bars next to the signal symbol (Y) then communication between the appliance and the handset has been lost. If the communication loss exceeds 18 minutes then the appliance will emit 20 beeps and switch OFF. Try the following:

- 2.37 Move the handset closer to the appliance.

NOTE: Try to avoid placing the handset a long distance from the appliance. It can take some time for the signal to return.

- 2.38 Replace the batteries in the handset.
- 2.39 If there is still no signal, operate the appliance using the touch pad control on the wall switch (refer to Section 2D) and consult your installer or Gazco dealer.

2C. PROGRAM MENU

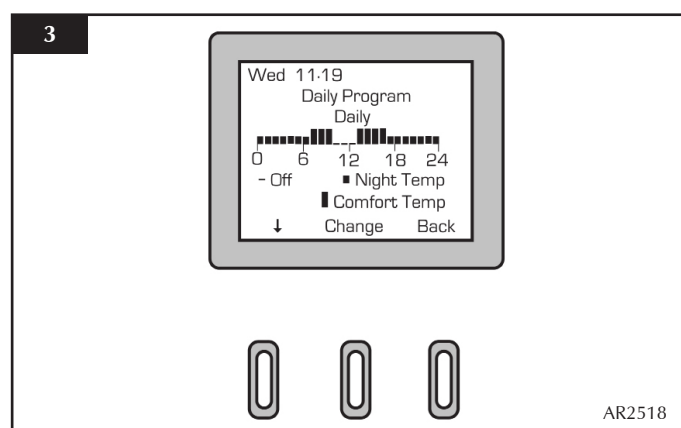
- 2.40 The program menu can be used to pre-set the appliance to function automatically.

There are two types of program mode:

1. Daily mode - the temperature can be selected (from a range of settings) for each hour over a 24hr period - the set pattern is then repeated every day.
2. Weekly mode - the temperature can be selected (from a range of settings) for each hour over a 24hr period for each individual day of the week (Mon - Sun).

Note: In order for the programmable functions to work the current day and time must be set first, see Section 2.11.

- 2.41 One of 3 pre-set temperature options can be chosen for each hour across the 24 hour period:
- Off - the appliance will remain in Standby mode (pilot only - please note the appliance will not switch off completely when in program mode)
 - Night Temp - the appliance will operate automatically to maintain the pre-set night temperature.
 - ▯ Comfort Temp - the appliance will operate automatically to maintain the pre-set comfort temperature.
- 2.42 To set the Comfort and Night temperature refer to Section 2.11.
- 2.43 To access the program menu select Menu. In the next screen select Adjust Menu. Use the button directly below the symbol (↓) scroll to Change Prog and select. The programming screen will be displayed as shown in Diagram 3.



To set a Daily program of operating times:

- 2.44 In the program menu the word Daily should be highlighted. Press the button below the symbol (↓) to access the 24 hour timer (see Diagram 3). The arrow should now point to the right (→).
- 2.45 The timer reads 0 - 24 with 0 representing midnight. Press the button below the symbol (→) to scroll through the 24 hour timer. With the cursor resting on the chosen hour, press Change until you have reached the desired setting for that hour. Use the button below the symbol (→) to scroll to the next hour and select the desired function for each hour until all 24 hours are set.

To set a weekly program of operating times:

- 2.46 Select the day of the week (Mon - Sun) using the button below the word Change. Select the function settings for each hour of the given day as detailed in 2.45 above.

USER INSTRUCTIONS

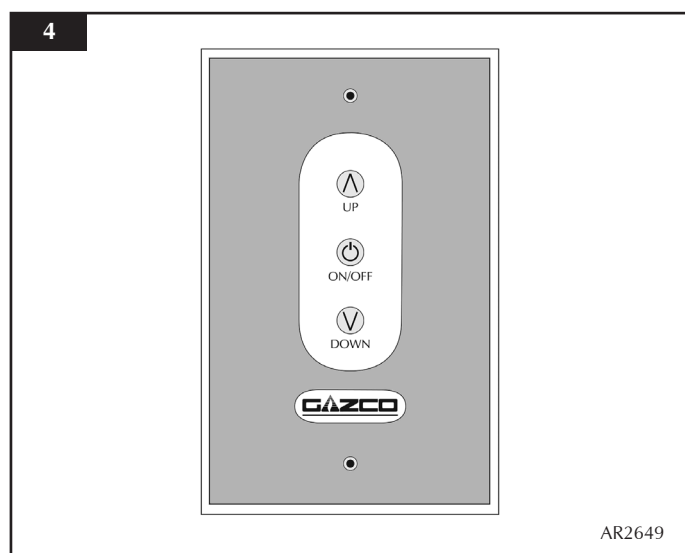
- 2.47 Once the programming is completed select Back to return to the main screen.

To launch the program:

Note: The appliance must be ON (pilot lit or any flame setting) in order to launch the program.

- 2.48 Select Menu. In the next screen use the button directly below the symbol (↓) to scroll to Program and select it. Select Change until the highlighted text reads ON.
- 2.49 Select Back and use the button directly below the symbol (↓) to select Prog Type. Press the button directly below the word Select followed by Change until the desired program (Daily or Weekly) is selected. Select Back twice to return to the main screen.

2D. TOUCH PAD CONTROL



The touch pad control is located on the front of the wall switch and allows manual operation of the appliance (see Diagram 4).

With the touch pad it is possible to turn the appliance ON, OFF and control the flame setting.

NOTE: When using the touch pad buttons the red LED will briefly illuminate and a beep will be emitted from the appliance to indicate an accepted command.

To Switch ON:

- 2.50 To turn the appliance ON press the ON/OFF button once. The ignition sequence will commence. This may take up to 20 seconds. The pilot will be lit once the start up sequence has completed.
- 2.51 If the pilot fails to light, press the ON/OFF button again to

switch OFF. Wait for at least 30 seconds before attempting to switch on again.

To change the flame level:

- 2.52 With the Pilot lit the appliance is in Standby mode.
- 2.53 Press the button below the symbol (↑) once. The main burner will be ignited on the Low flame setting.
- 2.54 Press the button below the symbol (↑) once more to increase the flame setting to the Medium position.
- 2.55 Press the button below the symbol (↑) once more to increase the flame setting to the High position.
- 2.56 To reduce the flame, press the button below the symbol (↓). At the lowest setting only the Pilot will be lit and the appliance will be in Standby mode.

To Switch OFF:

- 2.57 To turn the appliance OFF press the ON/OFF button. The pilot flame will be extinguished.

NOTE: Following main burner operation do not attempt to switch on the appliance again for at least 3 minutes.

TOUCH PAD CONTROL NOT WORKING

If the appliance is not operating with the touch pad control:

- 2.58 In accordance with Section 4, replace the batteries in the wall switch unit.
- 2.59 If the appliance still fails to operate consult your installer or Gazco dealer.

3. CLEANING THE APPLIANCE

- 3.1 Make sure the appliance and surrounds are cool before cleaning.
- 3.2 Use:

- A damp cloth for the painted frame.
- Use soap and water to clean the glass.

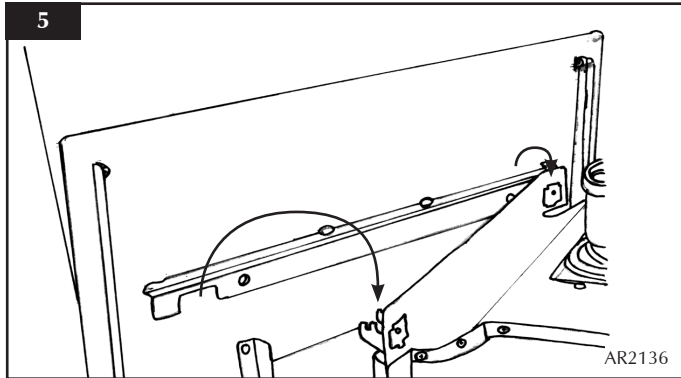
Opening the Glass Door

- 3.3 **Steel Frame**

If fitted with a Steel Frame, this needs to be removed first:

USER INSTRUCTIONS

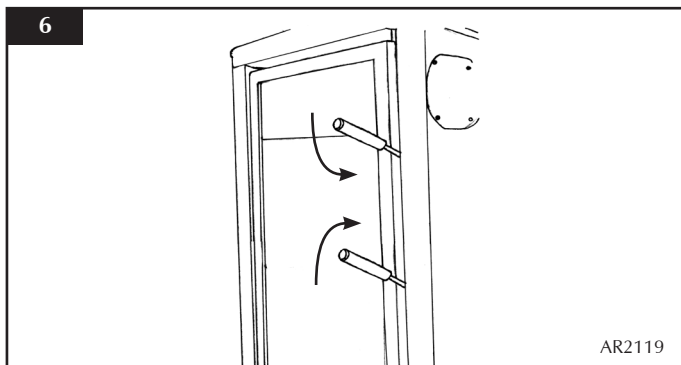
- 3.4 Lift the frame upwards off its four support brackets (see Diagram 5).



All models

Use the hexagon key provided to release the upper and lower catches on the right side of the door as follows:

- 3.5 Slide the hexagon key into the gap between the door and frame and locate the catch of the upper lock.
- 3.6 Push the hexagon key DOWN.
- 3.7 Slide the hexagon key into the gap and locate the lower lock.
- 3.8 Push the hexagon key UP.



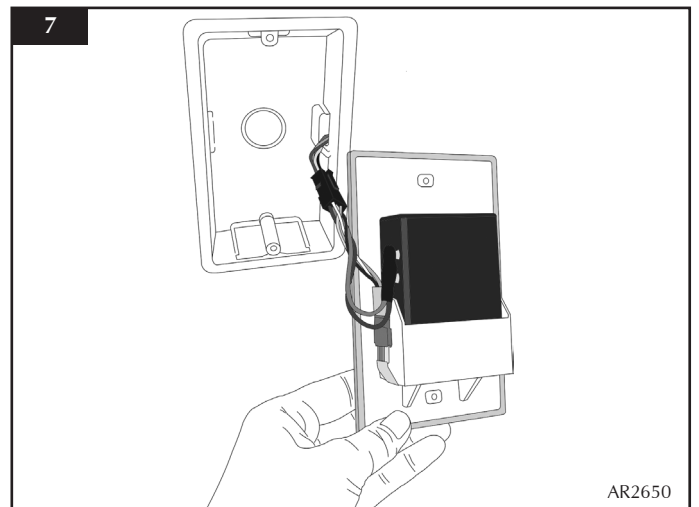
- 3.9 Open the door outwards.

When closing the door ensure the door catches are fully engaged.

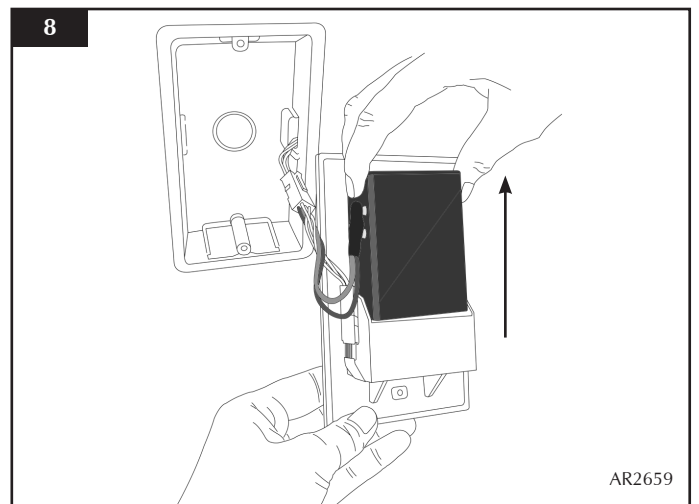
4. CHANGING THE STUDIO BATTERIES

The appliance batteries are located behind the wall switch plate.

- 4.1 Undo the two screws securing the wall plate and gently bring it forward to expose the wires behind. Keep the wall plate supported, taking care not to put any strain on the wires (see Diagram 7).

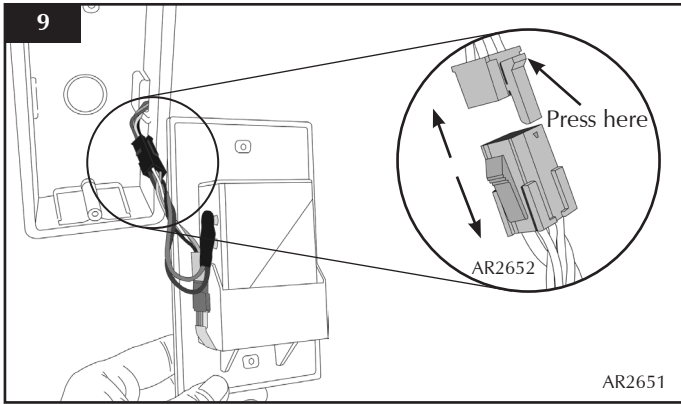


- 4.2 Whilst supporting the wall plate remove the battery holder from its location (see Diagram 8).



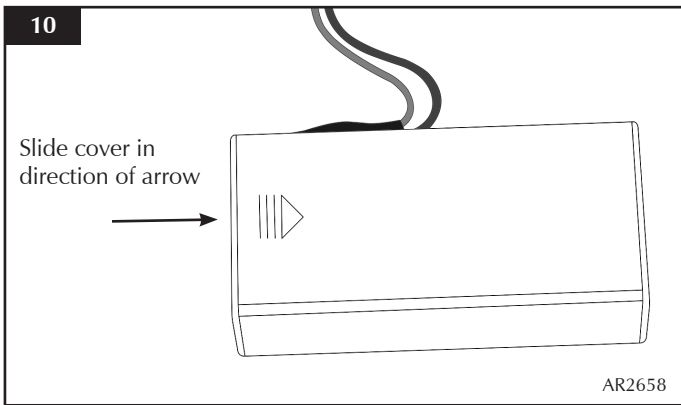
- 4.3 If it is not possible to support the wall plate and battery holder at the same time separate the wall plate from the dry lining box by disconnecting the plug as shown in Diagram 9. Press the top of the clip on the upper section to release.

USER INSTRUCTIONS



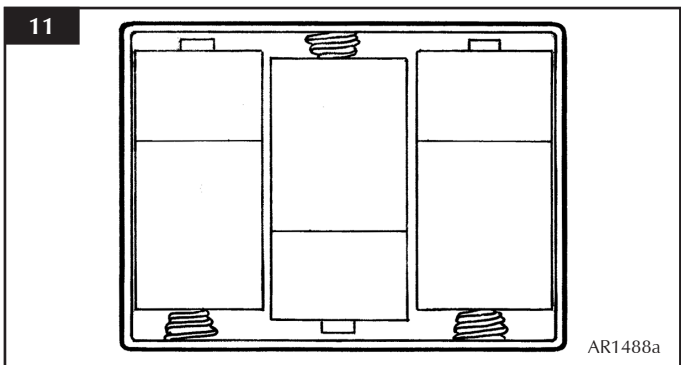
AR2651

- 4.4 Flip the battery holder over end to end and remove the cover by sliding off in the direction of the arrow as shown in Diagram 10.



AR2658

- 4.5 Remove the old batteries and correctly position the three new high quality (Duracell or similar) size C / HR14 batteries into the battery holder (see Diagram 11).



AR1488a

- 4.6 Re-assemble in reverse.

PLEASE ENSURE NO WIRES ARE TRAPPED BEFORE REPLACING THE WALL PLATE. THE TOUCH PAD LEAD IS EASILY DAMAGED.

5. ARRANGEMENT OF FUEL BED

ADVICE ON HANDLING AND DISPOSAL OF FIRE CERAMICS

The fuel effect in this appliance is made from Refractory Ceramic Fibre (RCF), a material which is commonly used for this application.

Protective clothing is not required when handling these articles, but we recommend you follow normal hygiene rules of not smoking, eating or drinking in the work area and always wash your hands before eating or drinking.

To ensure that the release of RCF fibres are kept to a minimum, during installation and servicing a HEPA filtered vacuum is recommended to remove any dust accumulated in and around the appliance before and after working on it.

When servicing the appliance it is recommended that the replaced items are not broken up, but are sealed within heavy duty polythene bags and labelled as RCF waste.

RCF waste is classed as stable, non-reactive hazardous waste and may be disposed of at a licensed landfill site. Excessive exposure to these materials may cause temporary irritation to eyes, skin and respiratory tract; wash hands thoroughly after handling the material.

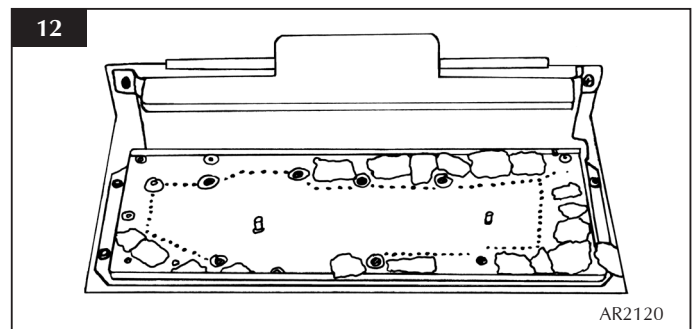
After cleaning the appliance or replacing parts, carefully re-assemble the ceramic components.

WHEN THE EMBERS ARE PLACED ON THE BURNER IT IS IMPORTANT THEY DO NOT COVER ANY PORTS!

The fuel bed is made up of embers and 6 logs, identifiable by moulded letters on their base:

- 5.1 Place the embers around the burner holes as shown in Diagram 9.

Do not cover any of the holes.



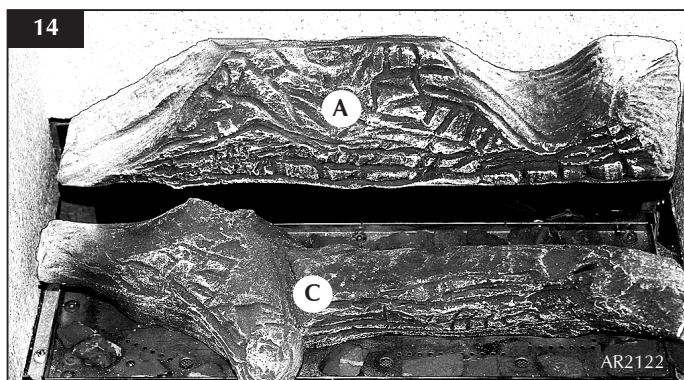
AR2120

- 5.2 Place Log C onto the two studs on the burner skin (see Diagram 13) with charred effect of the log facing forward.

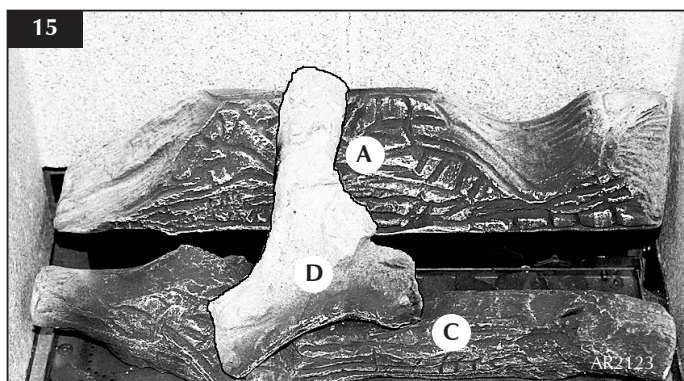
USER INSTRUCTIONS



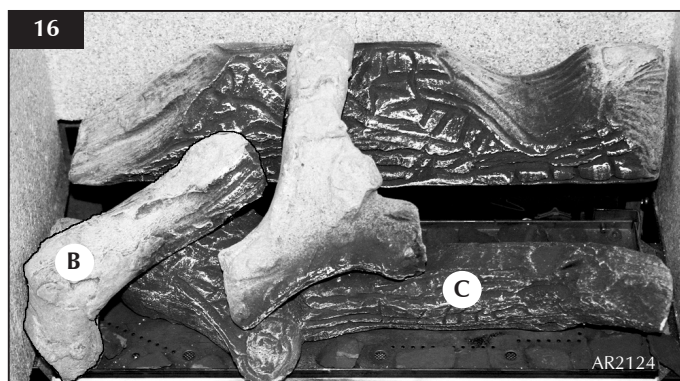
5.3 Place Log A on the ledge at the rear of the appliance (see Diagram 14).



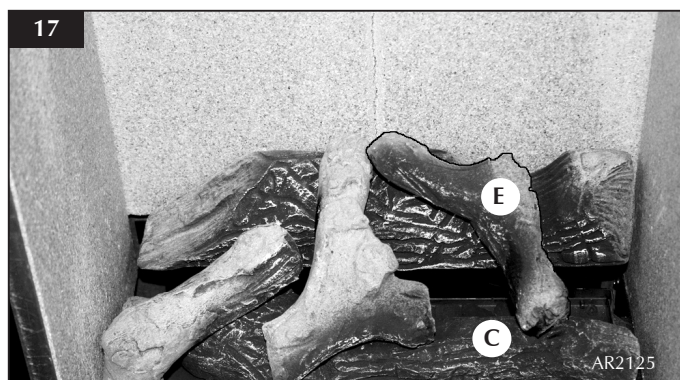
5.4 Place Log D so that the back end sits in the groove in the rear of Log A and the front left rests in the cut-out groove in Log C (see Diagram 15).



5.5 Position Log B so that the underneath rests in the groove of Log C and the triangular groove in the base of Log C fits into the corner of the burner (see Diagram 16).



5.6 Put the groove in the base of Log E into the indent on the right of Log C. The left branch rests on the upper end of Log A (see Diagram 17).



5.7 Log F rests against Log C at its far right end, between Log A and the side panel. The front end of Log F sits on the front panel (see Diagram 18).



You must ensure the door catches are fully engaged:

- 5.8 Slide the hexagon key into the gap between the door and frame and locate the catch of the lower lock.
- 5.9 Push the hexagon key DOWN.
- 5.10 Slide the hexagon key into the gap and locate the upper lock.
- 5.11 Push the hexagon key UP.

USER INSTRUCTIONS

6. FLAME FAILURE DEVICE

- 6.1 This is a safety feature incorporated on this appliance which automatically switches off the gas supply if the pilot goes out and fails to heat the thermocouple.

7. RUNNING IN

- 7.1 The surface coating on the metal used in your GAZCO appliance will "burn off" during the first few hours of use producing a harmless and temporary odour. This will disappear after a short period of use. If the odour persists, ask your installer for advice.
- 7.2 During the first few hours of burning there may be discolouration of the flames. This will also disappear after a short period of use.

8. SERVICING

- 8.1 The appliance must be serviced every 12 months by a qualified Gas Engineer. In all correspondence always quote the Model number and the Serial number which may be found on the data badge.

9. VENTILATION

- 9.1 Any purpose provided ventilation should be checked periodically to ensure that it is free from obstruction.

10. INSTALLATION DETAILS

- 10.1 Your installer should have completed the commissioning sheet at the front of this book. This records the essential installation details of the appliance. In all correspondence always quote the Model number and Serial number.

11. HOT SURFACES

- 11.1 Parts of this appliance become hot during normal use.
- 11.2 Regard all parts of the appliance as a working surface.
- 11.3 Provide a suitable fire guard to protect young children and the infirm.

12. APPLIANCE WILL NOT LIGHT

If you cannot light the Studio:

- 12.1 Check and change the batteries in the remote handset.
- 12.2 Check and change the wall switch batteries (see Section 4).
- 12.3 Consult your Gazco dealer or installer if the Studio still does not light.

INSTALLATION INSTRUCTIONS

TECHNICAL SPECIFICATION

COVERING THE FOLLOWING MODELS:

STUDIO 22 BALANCED FLUE

Model	Gas CAT.	Gas Type	Working Pressure	Nox Class	Aeration	Injector	Gas Rate m ³ /h	Input kW (Gross)		Country
								High	Low	
	I _{2H}	Natural Gas (G20)	20 mbar	4	5 x 16 mm	530	0.715	7.5	3.75	GB, IE
	I _{3P}	Propane (G31)	37 mbar		16 x 24 (1) 6 x 15 (1)	200	0.254	7	3.6	GB, IE
REAR EXIT WALL THICKNESS			Min 200 mm - Max 550 mm							
Efficiency Class II										
Flue Outlet Size Ø 150mm										
Flue Inlet Size Ø 100mm										
Gas Inlet Connection Size Ø 8mm										

RESTRICTOR REQUIREMENT		
VERTICAL & HORIZONTAL FLUE SPECIFICATIONS		
Vertical Flue Height from Top of Appliance	Horizontal Length	Restrictor Size
200 mm	500 mm	No restrictor
500 mm	1000 mm	No restrictor
1000 mm to 1500 mm	250 mm to 5000 mm	Ø 70 mm
1510 mm to 3000	250 mm to 5000 mm	Ø 60 mm
TOP EXIT - VERTICAL INCLUDING OFFSET		
Vertical Flue Height from Top of Appliance	Restrictor Size	
3000 mm up to 4990 mm	Ø 52 mm	
5000 mm up to 10,000 mm	Ø 47 mm	

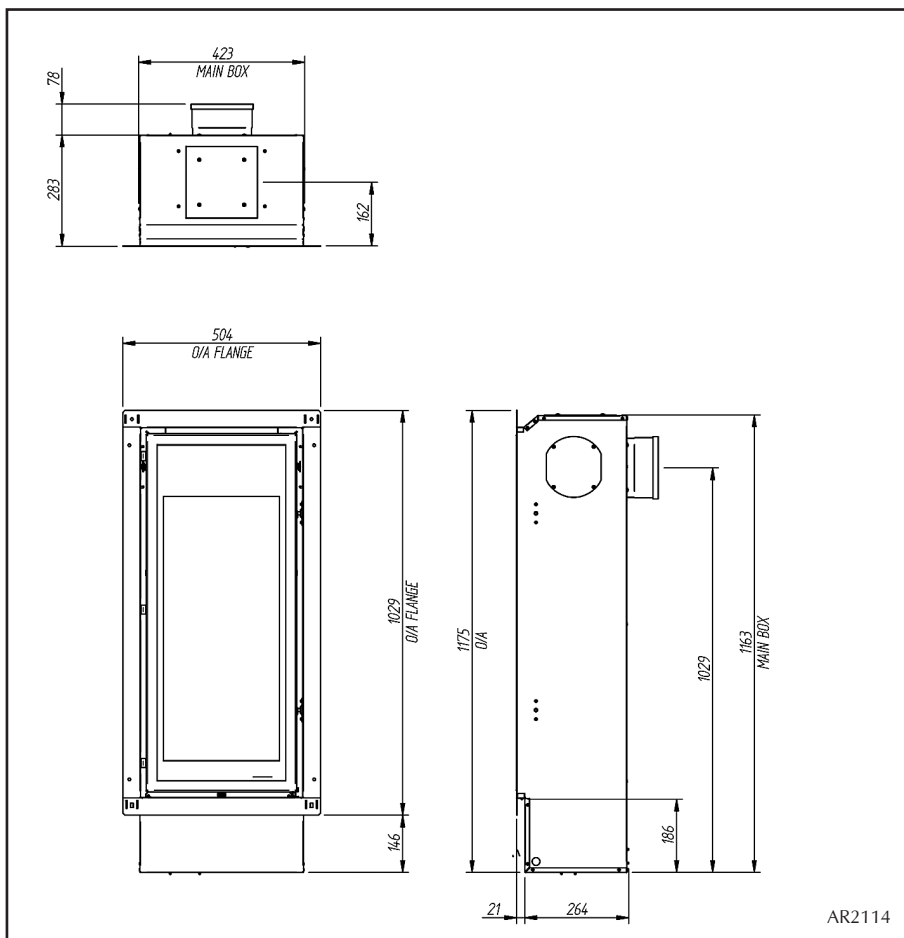
INSTALLATION INSTRUCTIONS

TECHNICAL SPECIFICATION

This appliance has been certified for use in countries other than those stated. To install this appliance in these countries, it is essential to obtain the translated instructions and in some cases the appliance will require modification. Contact Gazco for further information.

PACKING CHECKLIST

Qty	Description	Fixing Kit containing:
1 x	Log Set	1 x Instruction Manual 4 x Wood Screws 4 x Wall Plugs 1 x Handset 2 x AA 1.5 alkaline batteries 3 x Size C / HR14 batteries 1 x Wall box 1 x Wall plate / touch pad 1 x Battery holder 1 x Foam Seal



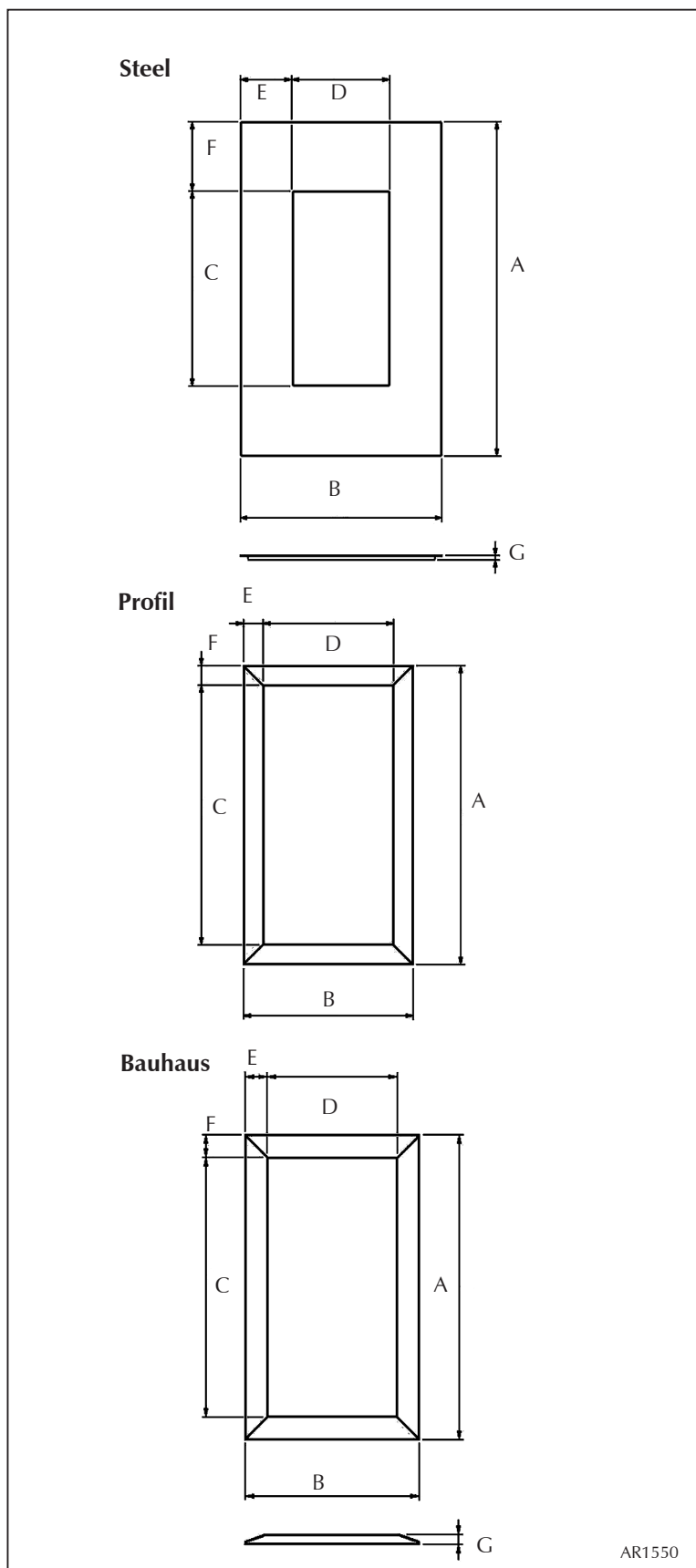
INSTALLATION INSTRUCTIONS

TECHNICAL SPECIFICATION

Steel Frame Dimensions	
Dimension	Size (mm)
A	1350
B	675
C	846
D	320
E	177
F	237
G	25

Profil Frame Dimensions	
Dimension	Size (mm)
A	1036
B	510
C	940
D	414
E	48
F	48
G	12.5

Bauhaus Frame Dimensions	
Dimension	Size (mm)
A	1050
B	524
C	940
D	414
E	55
F	55
G	28



AR1550

INSTALLATION INSTRUCTIONS

SITE REQUIREMENTS

1. FLUE AND CHIMNEY REQUIREMENTS

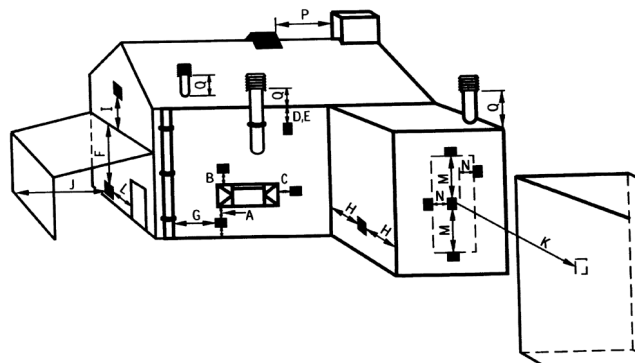
Note: This appliance must only be installed with the flue supplied.

You must adhere to the following:

- 1.1 The flue must be sited in accordance with BS5440: Part 1 (latest edition) (see Diagram below).
- 1.2 Fit a guard to protect people from any terminal less than 2 metres above any access such as level ground, a balcony or above a flat roof.
- 1.3 All vertical and horizontal flues must be securely fixed and fire precautions followed in accordance with local and national codes of practice.
- 1.4 A restrictor may be required (refer to Technical Specifications on page 13).

- 1.5 Two types of flue terminals are available, horizontal and vertical.
- 1.6 To measure for a horizontal terminal decide on the terminal position.
- 1.7 Measure the height from the top of the appliance to the centre of the required outlet.
- 1.8 For minimum and maximum flue dimensions see Diagrams 2 & 3.
- 1.9 Allow enough room either above or to the side of the appliance to assemble the flue on top
- 1.10 Assemble a horizontal flue in the following order:
 - Vertical section
 - 90° elbow
 - Horizontal plus terminal
- 1.11 Support the opening of a masonry installation with a lintel.
- 1.12 Only the horizontal terminal section can be reduced in size.

UK Dimensions



Dimension	Terminal position	Minimum Distance
A*	Directly below an opening, air brick, opening windows, etc.	600mm
B*	Above an opening, air brick opening windows, etc.	300mm
C*	Horizontally to an opening, air brick opening windows etc.	400mm
D	Below gutters, soil pipes or drain pipe	300mm
E	Below eaves	300mm
F	Below balconies or car port roof	600mm
G	From a vertical drain pipe or soil pipe	300mm
H	From an internal or external corner	600mm
I	Above group roof or balcony level	300mm
J	From a surface facing the terminal (also see 6.1.2)	600mm
K	From a terminal facing the terminal	600mm
L	From an opening in the car port (e.g. door, window) into the dwelling	1200mm
M	Vertically from a terminal on the same wall	1500mm
N	Horizontally from a terminal on the same wall	300mm
O	From the wall on which the terminal is mounted	N/A
P	From a vertical structure on the roof	600mm
Q	Above intersection with roof	300mm

* In addition, the terminal should not be nearer than 300mm to an opening in the building fabric formed for the purpose of accommodating a built-in element such as a window frame

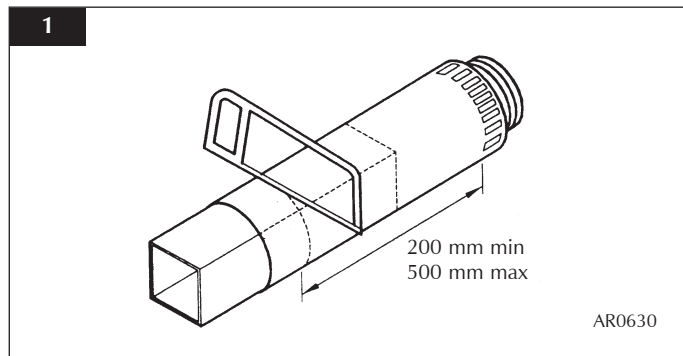
INSTALLATION INSTRUCTIONS

SITE REQUIREMENTS

2. FLUE OPTIONS

REAR EXIT (8708)

2.1 Cut to length as required on site.



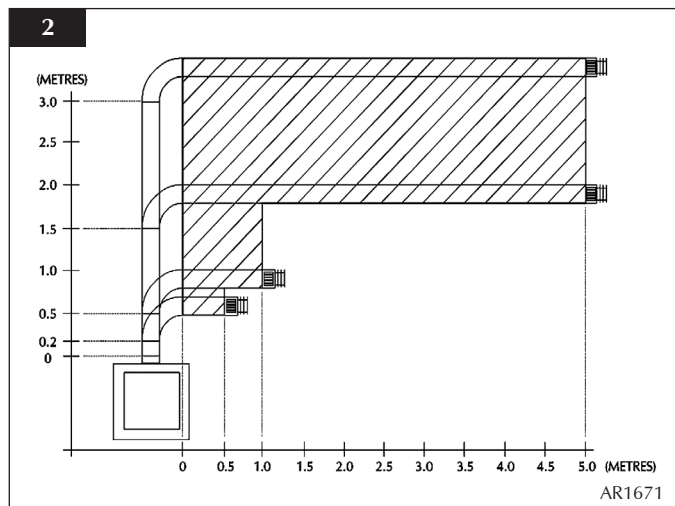
Guard Supplied.

TOP EXITS

2.2 TOP FLUE UP & OUT KIT (8534)

This flue is vertical from the top of the appliance then horizontally out. (See Diagram 2). The basic kit comprises:

- 1 x 200mm vertical length
- 1 x 500mm terminal length (cut to length on site)
- 1 x 90° elbow
- 1 x wall plate
- 1 x 70mm restrictor
- 1 x 60mm restrictor



NOTE:
The start of the bend to the centre line of horizontal flue is 170mm.

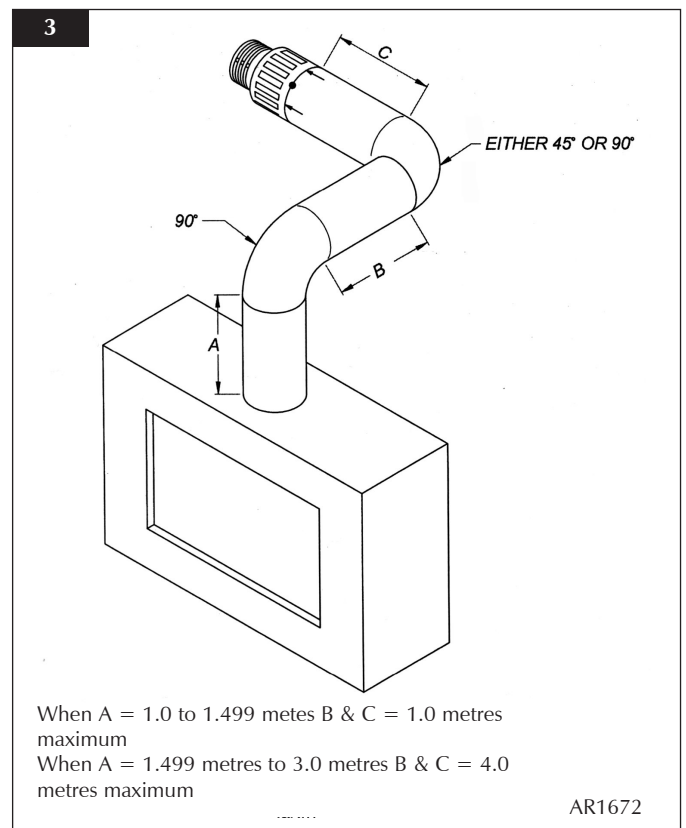
The centre line of vertical flue to end of bend is 220mm.

2.3 TOP FLUE UP & OUT WITH ADDITIONAL BEND

Any additional bend may be used on the horizontal section (either 45° or 90°), but the overall horizontal flue run will be reduced. Refer to Diagram 3.

2.4 TOP FLUE VERTICAL KIT (8524/8524AN)

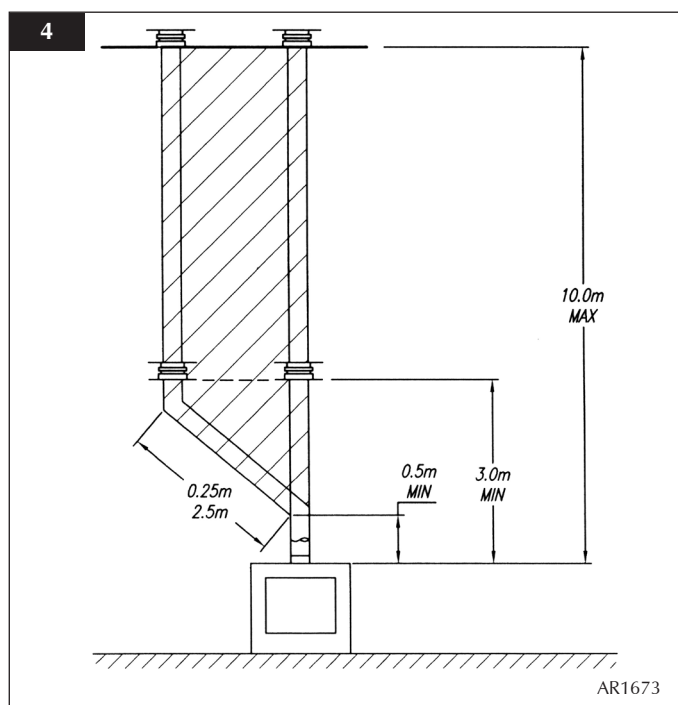
Vertical from the top of the appliance (see Diagram 1C).



When A = 1.0 to 1.499 metres B & C = 1.0 metres maximum
When A = 1.499 metres to 3.0 metres B & C = 4.0 metres maximum

INSTALLATION INSTRUCTIONS

SITE REQUIREMENTS



A minimum vertical rise 3m (9'10") to a maximum 10m (32'10").

The basic kit comprises:

- 2 x 1m lengths
- 1 x 1m terminal length
- 1 x 52mm restrictor
- 1 x 47mm restrictor
- 1 x 60mm restrictor
- 1 x 70mm restrictor

Extra lengths may be added from the list below.

2.4 TOP FLUE VERTICAL OFFSET KIT (8530/8530AN)

Used with kit 8524. A minimum rise of 500mm (19¹/₂) is required to the first bend (see Diagram 1C).

2.5 EXTRA FLUE LENGTHS

All flue components are 150mm diameter (6")

NOMINAL LENGTH	ACTUAL LENGTH	STAINLESS FINISH	ANTHRACITE FINISH
200mm	140mm	8527	8527AN
500mm	440mm	8528	8528AN
1000mm	940mm	8529	8529AN
40° Bend	N/A	8507	8507AN
90° Bend	N/A	8508	8508AN

NOTE - Carefully consider:

- a) Terminal positions
- b) Flue supports
- c) Weatherproofing
- d) Fire precautions

For all the above options, you must conform to local and national codes of practice.

3. GAS SUPPLY

THIS APPLIANCE IS INTENDED FOR USE ON A GAS INSTALLATION WITH A GOVERNED METER.

- 3.1 Before installation, ensure that the local distribution conditions (identification of the type of gas and pressure) and the adjustment of the appliance are compatible.
- 3.2 Ensure the gas supply delivers the required amount of gas and is in accordance with the rules in force.
- 3.3 You can use soft copper tubing on the installation and soft soldered joints outside the appliance and below the firebed.
- 3.4 A factory fitted isolation device is part of the inlet connection; no further isolation device is required.
- 3.5 All supply gas pipes must be purged of any debris that may have entered prior to connection to the appliance.
- 3.6 The gas supply enters through the silicone panel located on the LEFT-HAND side of the outer box. Slit with a sharp knife before passing the supply pipe through
- 3.7 The gas supply must be installed in a way that does not restrict the removal of the appliance for servicing and inspection.

4. VENTILATION

- 4.1 This appliance requires no additional ventilation.

INSTALLATION INSTRUCTIONS

SITE REQUIREMENTS

5. APPLIANCE LOCATION

5.1 Please note this appliance has been specifically designed for studwork applications although installation into other constructions, including masonry, is entirely feasible. **There are two methods of installation** (see Installation Instructions, Sections 3.2 Frame & 3.3 Edge).

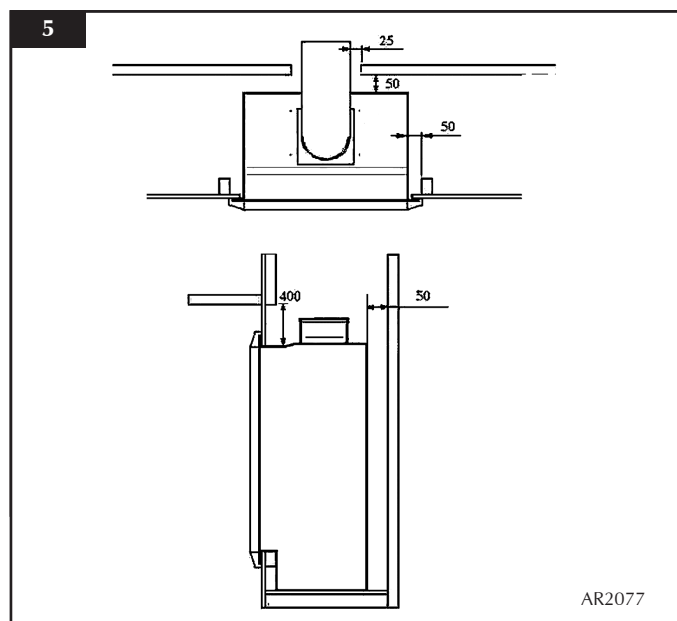
5.2 This appliance must stand on a non-combustible hearth/platform that is at least 12mm thick.

NOTE: It is recommended you construct the back panel of the fireplace from natural materials cut into three or more sections to prevent cracking. Resin-based materials may not be suitable. This appliance is an effective heat producer and attention must be paid to the construction and finish of the fireplace.

5.3 A combustible shelf must be:

- Maximum 150mm in depth.
- Minimum 400mm high above the appliance.

A combustible side wall must be a minimum of 150mm from the appliance.



INSTALLATION INSTRUCTIONS

INSTALLATION

IMPORTANT: REFER TO DATA BADGE AND TECHNICAL SPECIFICATION AT THE FRONT OF THE MANUAL TO ENSURE THE APPLIANCE IS CORRECTLY ADJUSTED FOR THE GAS TYPE AND CATEGORY APPLIED IN THE COUNTRY OF USE.
FOR DETAILS OF CHANGING BETWEEN GAS TYPES REFER TO SERVICING, SECTION 15, REPLACING PARTS.

1. SAFETY PRECAUTIONS

- 1.1 For your own and other's safety, you must install this appliance according to local and national codes of practice. Failure to install the stove correctly could lead to prosecution.
- 1.2 Read these instructions before installing and using this stove.
- 1.3 These instructions must be left intact with the user.
- 1.4 Do not attempt to burn rubbish on this appliance.
- 1.5 Keep all plastic bags away from young children.
- 1.6 Do not place any object on or near to the appliance and allow adequate clearance above the appliance.

IF THE APPLIANCE IS EXTINGUISHED OR GOES OUT DURING USE, WAIT 3 MINUTES BEFORE ATTEMPTING TO RELIGHT THE APPLIANCE.

2. INSTALLATION OF THE APPLIANCE

REFER TO THE SITE REQUIREMENTS FOR ALL FLUE OPTIONS.

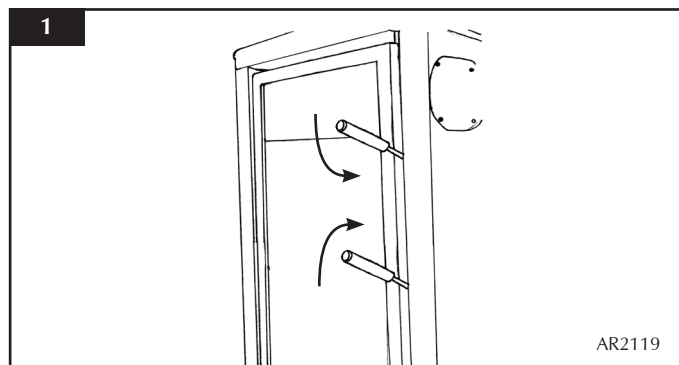
This stove is suitable for top or rear flue exit.

- For top exit see Site Requirements, Section 2.2.
- For rear flue exit see Site Requirements, Section 2.1.

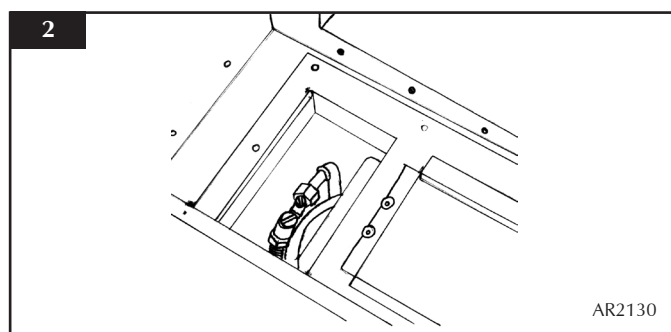
THERE IS AN OPTIONAL DUCT KIT, CODE No. 8572 WHICH CAN BE FITTED AT THE SAME TIME AS THE APPLIANCE INSTALLATION.

- 2.1 Remove the appliance from the carton and discard all unnecessary packaging.
- 2.2 Ensure no components are thrown away when unpacking.
To open the glass door, use the hexagon key provided:
 - 2.3 Slide the hexagon key into the gap between the door and frame and locate the catch of the upper lock.
 - 2.4 Push the hexagon key DOWN.
 - 2.5 Slide the hexagon key into the gap and locate the lower lock.

- 2.6 Push the hexagon key UP.
- 2.7 Open the door outwards.

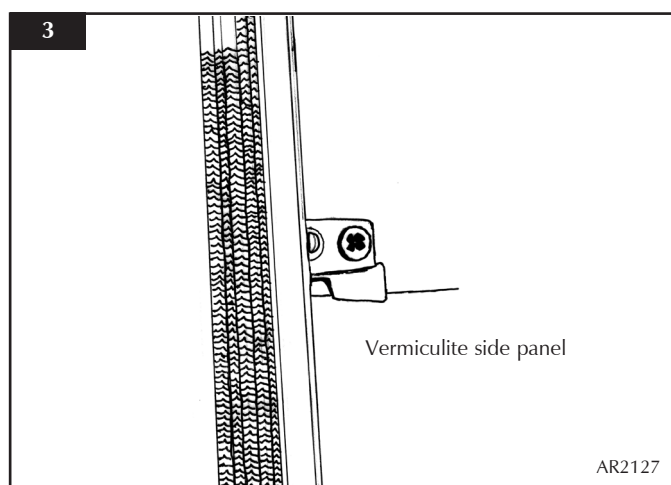


- 2.8 The gas supply enters the appliance through a silicon panel on the floor or in the back panel of the appliance, underneath the control unit (see Diagram 2).



To access the gas pipe:

- 2.9 Undo the clips on the upper inside holding the vermiculite side panels in place (see Diagram 3).



- 2.10 Remove the two side panels and back panel and put to one side.

INSTALLATION INSTRUCTIONS

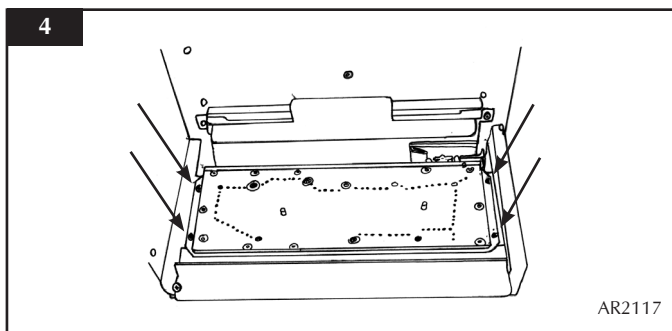
INSTALLATION

- 2.11 Ensure the back panel is supported when removing the side panels.

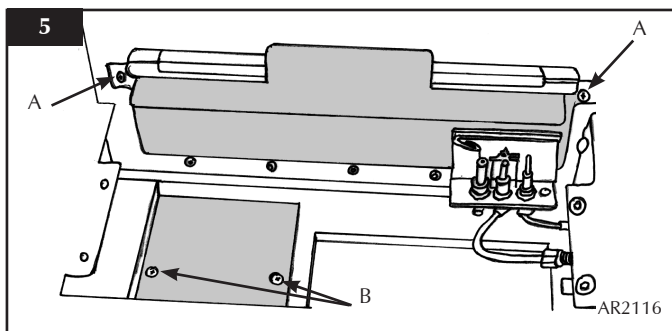
TAKE CARE WHEN HANDLING THE VERMICULITE PANELS, THEY ARE FRAGILE.

You can now remove the burner:

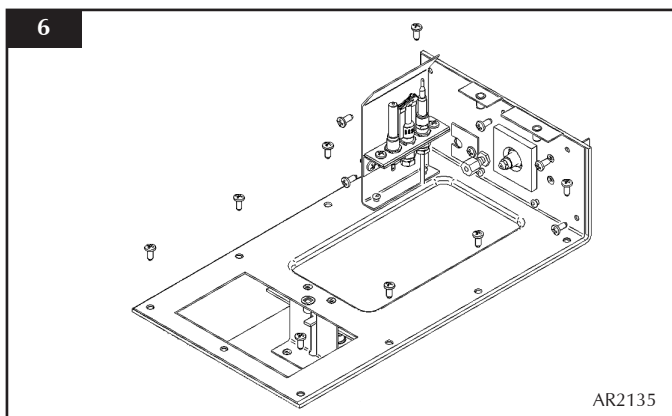
- 2.12 Undo the four screws holding the burner tray in place.
2.13 Remove the burner.
2.14 Lift the left-hand side up and out.



- 2.15 Undo the two screws in the rear air baffle to remove it (see Diagram 5, Arrow A).

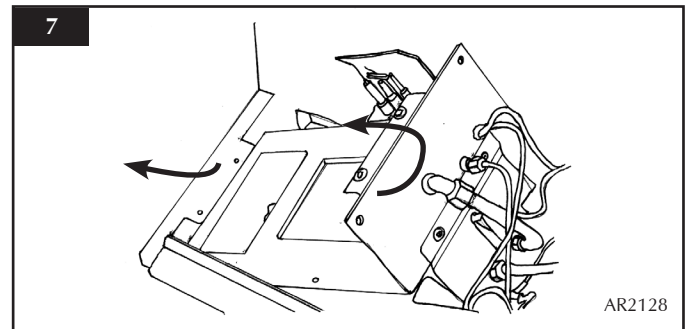


- 2.16 Remove the two screws holding the access panel in place (see Diagram 5, Arrow B).
2.17 Undo the 13 x screws fixing the control unit in place.



With all screws removed:

- 2.18 Slide the control unit to the left to clear the injector and pilot pipe work at the right side.
2.19 Lift the right-hand side up and out.



INSTALLATION INSTRUCTIONS

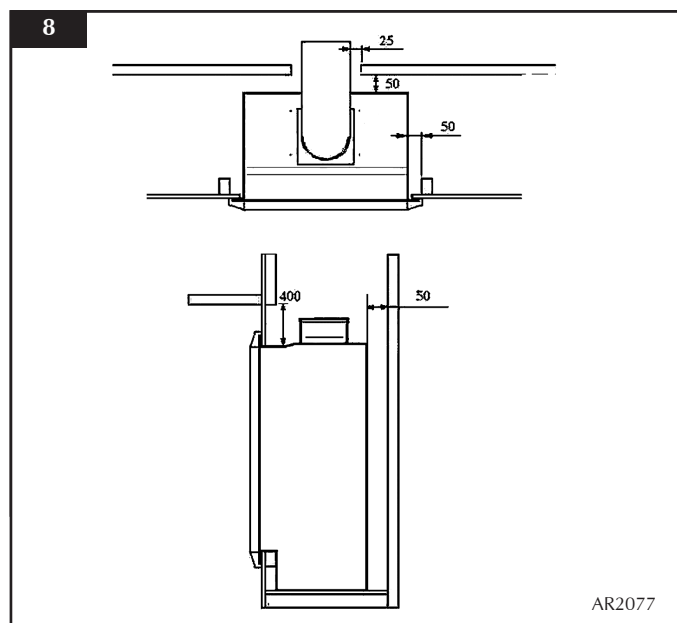
INSTALLATION

3. STUD WORK INSTALLATION

THERE ARE THREE TYPES OF INSTALLATION INTO STUDWORK DESCRIBED IN THE FOLLOWING PAGES:

- 1) FOR STUDIO 22 WITH EITHER THE STEEL, PROFIL OR BAUHAUS FRAME (SEE SECTION 4).
- 2) FOR AN INSTALLATION WHERE THE STUDIO 22 SITS FLUSH TO THE FINISHED 'EDGE' OF THE WALL (SEE SECTION 5).
- 3) FOR A FURTHER 'EDGE' INSTALLATION PROVIDING A COOL WALL ABOVE THE APPLIANCE TO ALLOW CUSTOMERS TO HANG PICTURES ETC. (SEE SECTION 6).

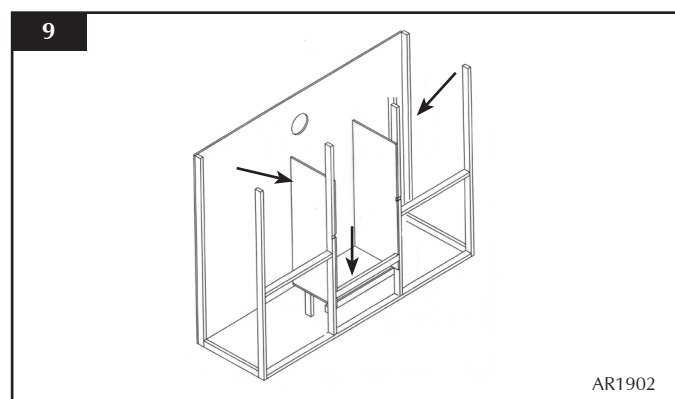
- 3.1 **DISTANCE TO COMBUSTIBLE MATERIAL**
COMBUSTIBLE PARTS OF THE STUDWORK MUST BE KEPT BEYOND THE MINIMUM DIMENSIONS SHOWN IN DIAGRAM 8. EVEN IF THE FRAMEWORK IS PROTECTED BY NON-COMBUSTIBLE MATERIAL, YOU MUST MAINTAIN THESE DIMENSIONS.



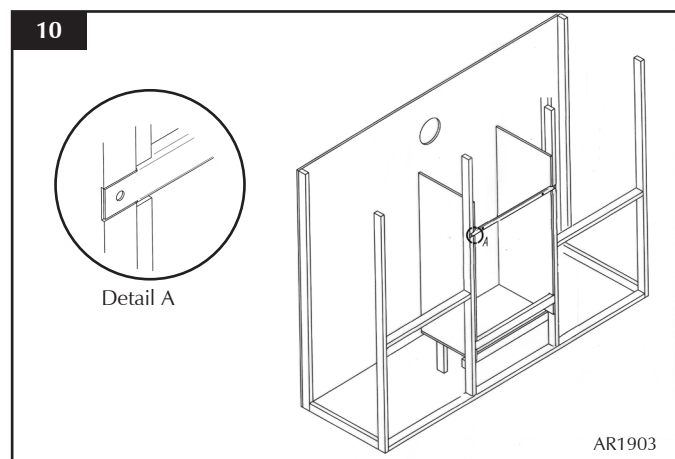
- 3.2 DO NOT PACK THE VOID AROUND OR ABOVE THE APPLIANCE WITH INSULATION MATERIALS SUCH AS MINERAL WOOL.
- 3.3 THE VOID BUILT FOR THE APPLIANCE MUST BE VENTILATED TO PREVENT A BUILD-UP OF HEAT. IF THE VOID IS SEALED, THEN YOU MUST FIT VENTS AT BOTH LOW AND HIGH LEVELS OF APPROXIMATELY 50CM² EACH. THESE VENTS MUST TAKE COLD AIR FROM THE ROOM AND RETURN WARM AIR BACK INTO THE ROOM
- 3.4 AN ACCESS HATCH MUST BE LEFT IN THE SIDE OF THE CHIMNEY BREAST FOR FUTURE SERVICING AND INSPECTION OF THE FLUE AND APPLIANCE.

4. STUDWORK INSTALLATION FOR STUDIO WITH FRAMES

- 4.1 Build the studwork chimney breast and enclosures to the desired size to include the protected platform at the required height.
- 4.2 Line the aperture for the appliance with 12mm thick non-combustible material as shown (see Diagram 9).



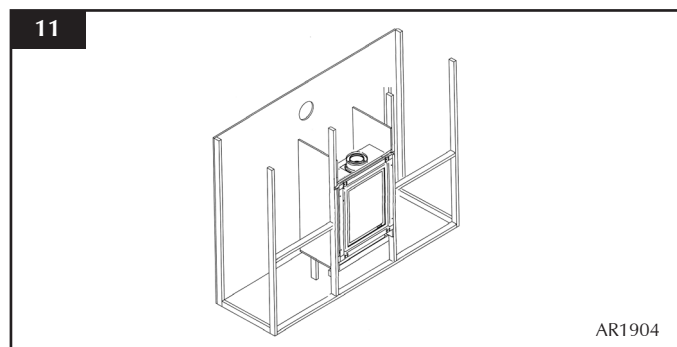
- 4.3 Ensure the clearances are maintained (see Diagram 8).
 - 4.4 Site the appliance and decide on flue requirements.
 - 4.5 Cut a hole for the flue exit (see Installation Instructions, Flue Assembly).
 - 4.6 Provide gas services into the appliance void on the left-hand side.
- Because no combustible material can be used above the appliance, we provide a support bar:**
- 4.7 Mark out the position to fit the supplied top support bar into the studwork at the correct height. This bar needs to be recessed into the studwork (see Diagram 10).



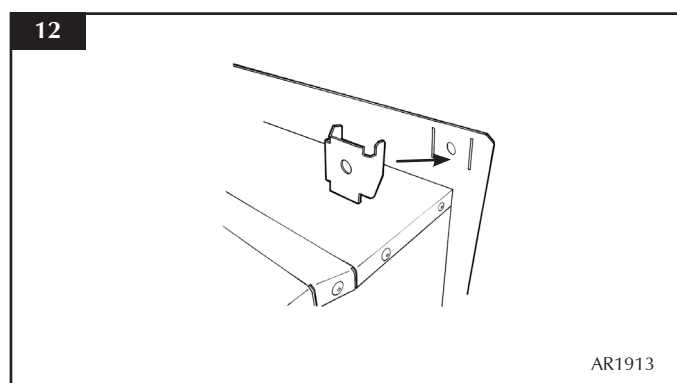
INSTALLATION INSTRUCTIONS

INSTALLATION

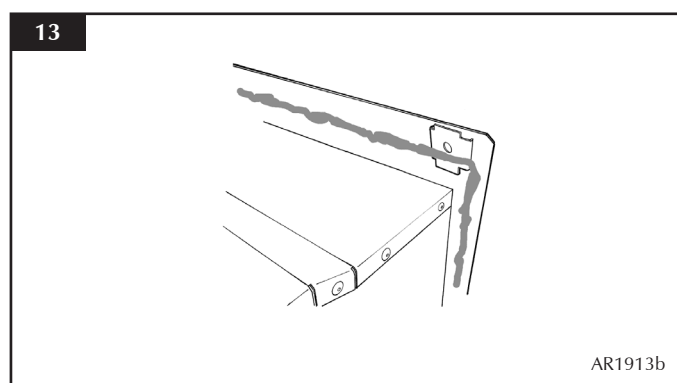
- 4.8 Fit the support bar into the studwork at the correct height (see Diagram 11).



- 4.9 Attach the 4 x frame fixing brackets to the appliance by placing the top part of the bracket through the slots.
- 4.10 Push the bracket flat against the panel, then slide down to the stop (see Diagram 12).



- 4.11 Fix foam seal to the outer flange of the appliance (see Diagram 13).



- 4.12 Position the appliance.
- 4.13 Fit non-combustible board to the studwork around the appliance. This should extend a minimum of 400mm above the appliance and at least 50mm to the sides of the appliance (from the outer box, not the flanges).

- 4.14 Apply plasterboard to the remainder of the studwork.
- 4.15 Secure the back of the appliance to the studwork using four screws through flange, bracket, support bar.
- 4.16 Apply a plaster finish to the front of the chimney breast.

Slips

Because of the high temperatures this appliance achieves, it is advisable to use marble slips or similar material between the appliance and the plasterboard.

Never use a one-piece slip because expansion (even cracking) can occur.

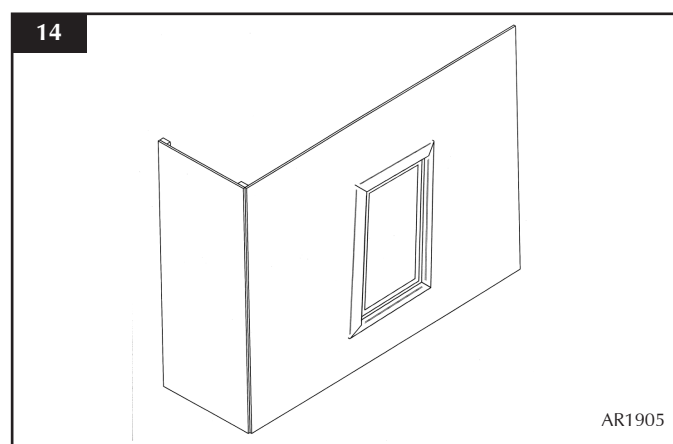
Note: If a slip is used, longer screws are needed to secure the appliance.

To finish the installation:

- 4.17 Connect the wall box and batteries following instruction in Section 7 below.
- 4.18 Connect the flue system (see Installation, Flue Assembly).
- 4.19 Connect gas services (see Installation, Section 9) using the opening in the side of the chimney breast for access.

After commissioning:

- 4.20 Finish the sides of the chimney breast (see Diagram 14).



INSTALLATION INSTRUCTIONS

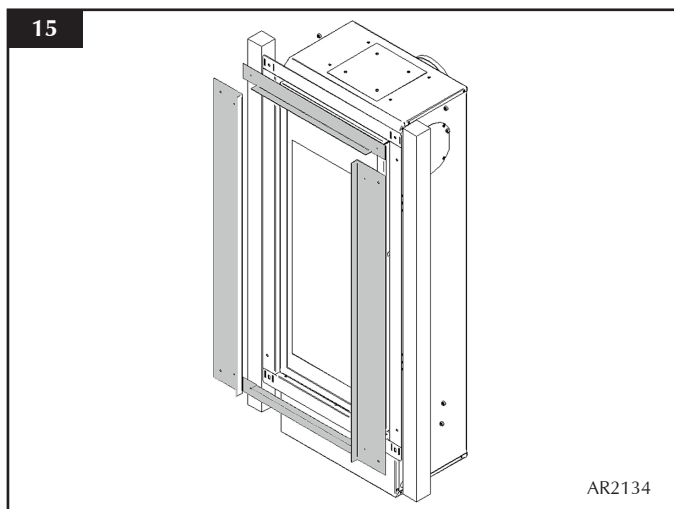
INSTALLATION

5. STUDWORK FOR STUDIO EDGE INSTALLATION KIT

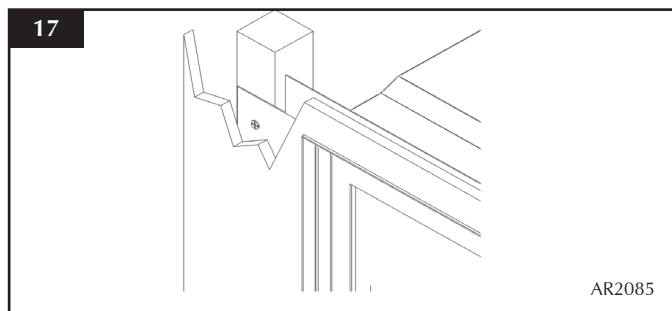
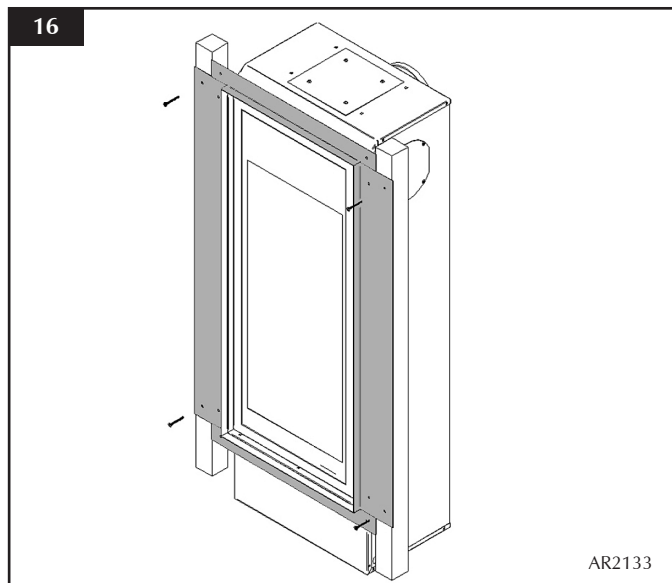
There is an optional Studio 22 Edge Installation Kit available for installing the appliance without a frame: Studio 22 BF Code No. 8727BFEK22. This consists of four metal brackets so that you can create a flush finish to the "edge" of the appliance.

Using the installation kit:

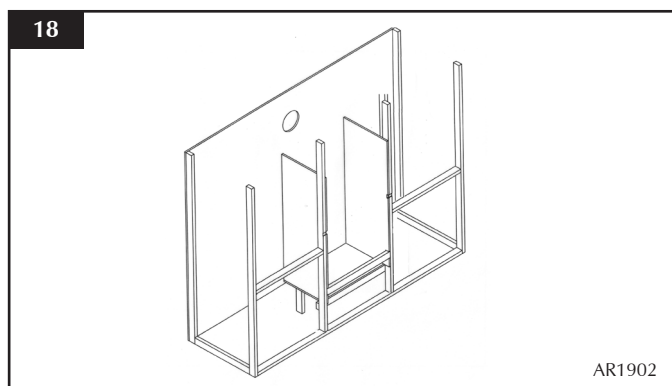
- 5.1 Fit the four metal brackets of the kit to the appliance.
- 5.2 Fit the sides to the appliance and secure using nuts and washers provided.
- 5.3 Attach the top and bottom metal brackets to the top and bottom flanges of the appliance using nuts and washers provided (see Diagram 15).



- 5.4 Put vertical studwork at minimum clearance to the side of the appliance (50mm).
- 5.6 Secure to the vertical studwork through the holes in the metal brackets fitted to the appliance (see Diagram 16).
- 5.7 The kit has been designed so that non-combustible board can be taken right up to the edge of the four brackets (see Diagram 17).



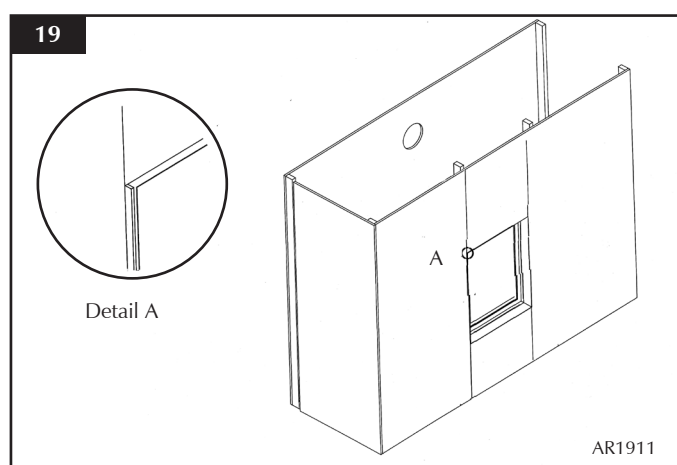
- 5.8 Build the studwork chimney breast to the desired size.
- 5.9 Ensure all clearances to combustible material are maintained (see Section 3, above).
- 5.10 Decide on flue requirements.
- 5.11 Cut a hole for the flue exit (see Installation Instructions, Flue Assembly).



INSTALLATION INSTRUCTIONS

INSTALLATION

- 5.12 Fit non-combustible board to the studwork above and to the sides of the appliance. This should extend a minimum of 400mm above the appliance and a minimum of 50 mm to each side.
- 5.13 Fit plasterboard to the remaining chimney breast front.
- 5.14 Connect the flue system and gas services using the opening in the side of the chimney breast for access.
- 5.15 After commissioning, finish the sides of the chimney breast (see Diagram 19).



- 5.16 Apply a plaster finish to the chimney breast.

6. STUDWORK FOR COOL WALL INSTALLATION KIT

There is an optional Studio 22 Cool Wall Installation Kit available for installing the appliance without a frame: Studio 22 BF Code No. 8727BFCW22. This consists of four metal brackets so that you can create a flush finish to the "edge" of the appliance.

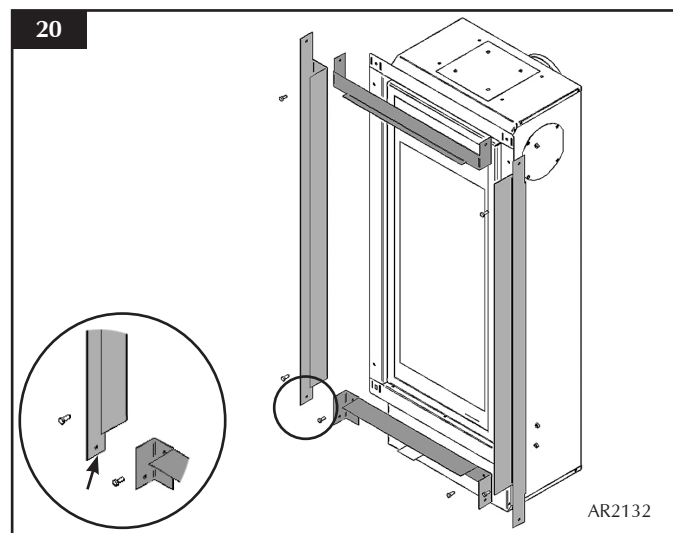
For this cool-wall installation, the convected heat from the appliance is channelled into the studwork enclosure and vented at the top.

The cool wall installation kit is provided unfinished. This allows the kit to be finished to match the fireplace decor.

Using the fixing kit:

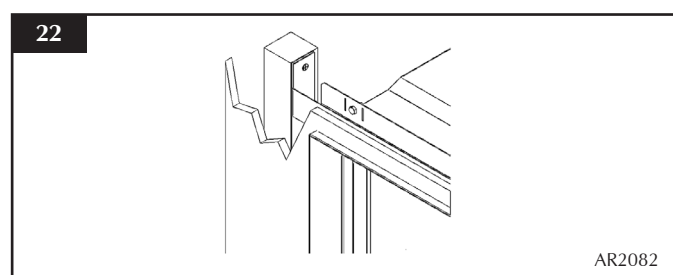
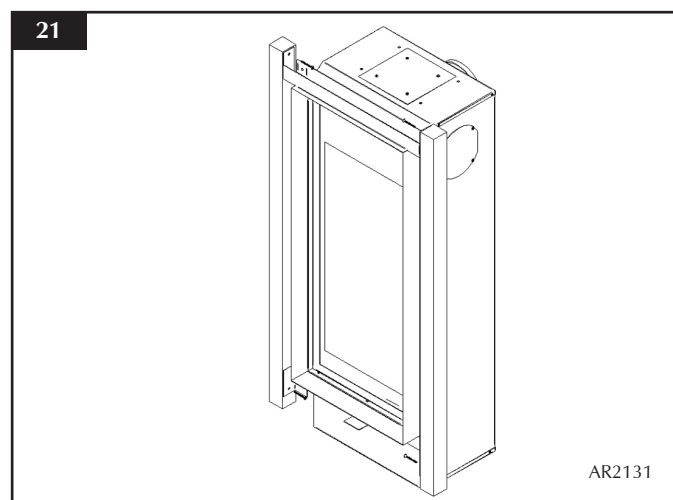
- 6.1 Fit the four metal brackets of the kit to the appliance.
- 6.2 Line up the side brackets with the holes in the front flange of the appliance.

- 6.3 Secure to the flange using the nuts, washers and bolts provided (see Diagram 20).



Note: Make sure the long side of the bracket is nearest the inside.

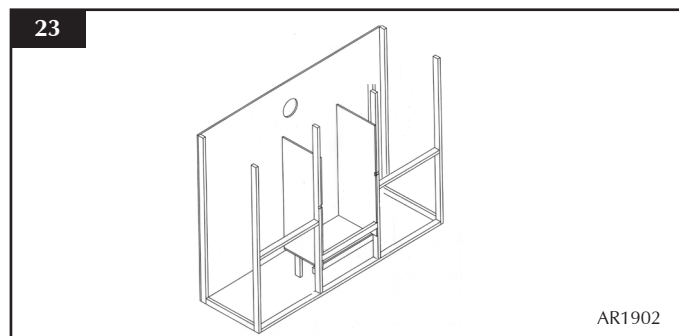
- 6.4 This now determines the width of your two vertical studwork supports. The kit has been designed so that non-combustible board can be taken right up to the edge of the four brackets (see Diagram 21 & 22).



INSTALLATION INSTRUCTIONS

INSTALLATION

- 6.5 Ensure all clearances to combustible materials are maintained (see Section 3, above).
- 6.6 Decide on flue requirements.
- 6.7 Cut a hole for the flue exit (see Installation Instructions, Flue Assembly).



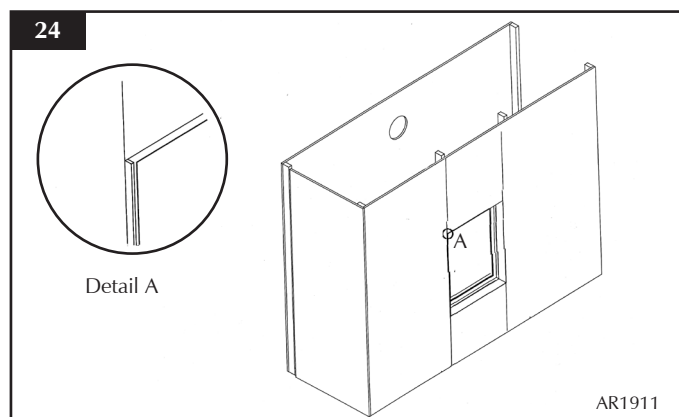
- 6.8 Secure the top bracket at each side into the studwork using the screws provided.
- 6.9 Secure the bottom bracket to the flange using the nuts, washers and bolts provided.

Finally:

- 6.10 Secure the outer part of the metal brackets into the studwork (see inset, Diagram 20).

There is a deliberate gap at the top for convected heat.

- 6.11 Fit non-combustible board to the studwork above the appliance. This should extend a minimum of 400mm above the appliance and a minimum of 50mm to each side.
- 6.12 Fit plasterboard to the remaining chimney breast front.
- 6.13 Connect the flue system and gas services using the opening in the side of the chimney breast for access.
- 6.14 After commissioning, finish the sides of the chimney breast (see Diagram 24).



- 6.15 The top of the chimney breast must have a minimum 200cm² vent.
- 6.16 Apply a plaster finish to the chimney breast.

7. ALL TYPES OF INSTALLATION INTO STUDWORK - WALL BOX & BATTERIES

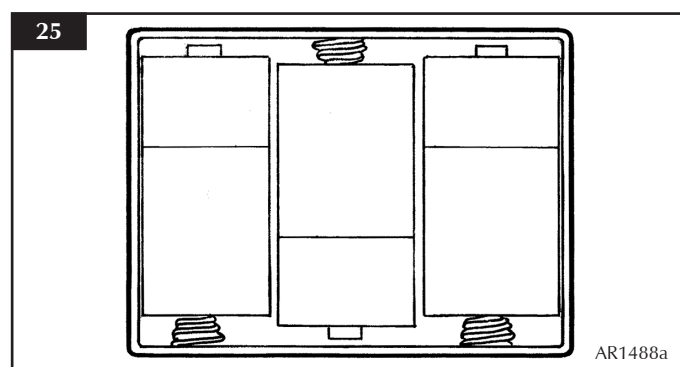
- 7.1 Decide on the position for the wall box containing the batteries and wall switch.

NOTE:

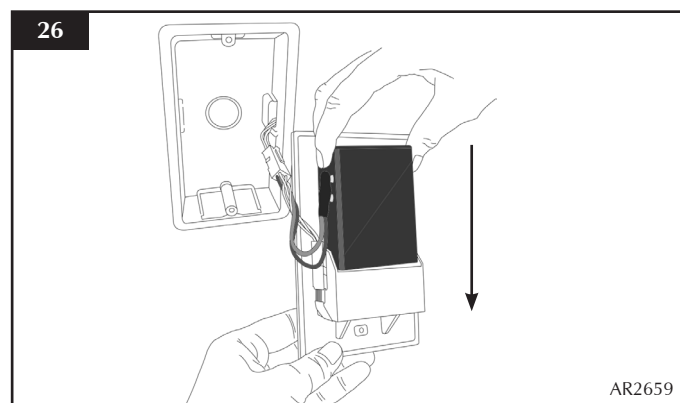
A combined battery power supply and touch control cable is supplied and pre-fitted to the appliance. Provision is made for the cable to exit either the left or right of the appliance through the grommet. The cable is 3 metres long.

When deciding the route of the cables consideration must be given to avoiding contact with the appliance and the flue system.

- 7.2 Correctly position the three new high quality (Duracell or similar) size C / HR14 batteries into the battery holder. Replace the cover by sliding it on to the battery holder.



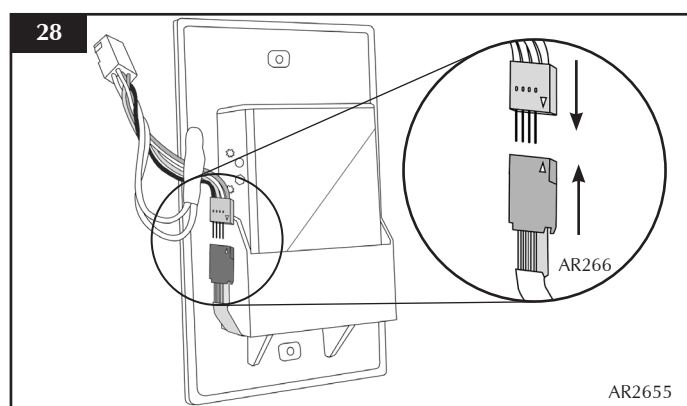
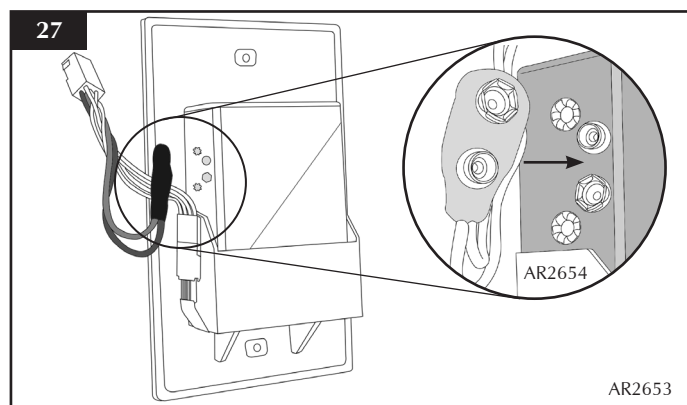
- 7.3 Slide the battery box into its housing in the back of the wall plate (see Diagram 26).



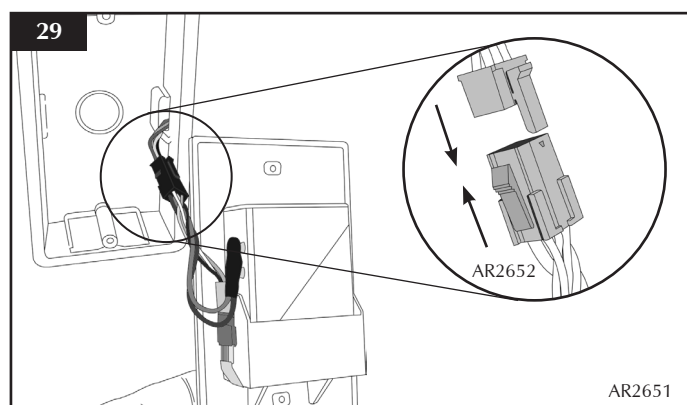
INSTALLATION INSTRUCTIONS

INSTALLATION

- 8.4 Ensure both sets of wires are connected (see Diagrams 27 & 28). **When replacing the 4 pronged connector ensure that the arrows are aligned.**

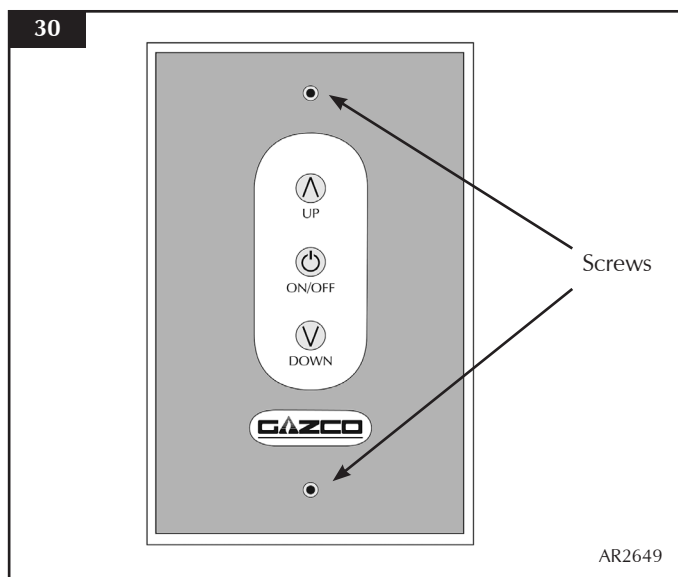


- 7.4 Connect the cable from the appliance to the touch pad cable (see Diagram 29).



- 7.5 **IMPORTANT: THE WALL SWITCH MUST BE INSTALLED USING THE PLASTIC DRY LINING BOX SUPPLIED.**

Secure the wall plate to the dry lining box with the 2 x screws provided (see Diagram 30).



PLEASE ENSURE NO WIRES ARE TRAPPED BEFORE REPLACING THE WALL PLATE. THE TOUCH PAD LEAD IS EASILY DAMAGED.

8. FLUE ASSEMBLY

Three types of flue terminal are available: rear flue, horizontal and vertical.

NOTE: When switching from top to rear exit it is important that you use the spigot supplied with the Rear Flue Kit.

REAR EXIT FLUE

WALL THICKNESS	MIN	200mm	MAX	600mm
----------------	-----	-------	-----	-------

- 8.1 Remove the flue assembly and terminal guard from the box. Take care not to lose the fixings.
- 8.2 Having decided on the final appliance position and ensuring that all external flue terminal clearances are complied with (see Site Requirements, Section 1) mark the centre of the final flue position on the wall.
- TAKE CARE WHEN MARKING OUT FOR THE FLUE. IT IS DIFFICULT TO MOVE AFTER INSTALLATION.**
- 8.3 A 152mm (6") diameter hole is required to install the flue. This can be achieved by either:

- Core Drill.
- Hammer & Chisel

It is advisable to drill small holes around the circumference when using method b). Make good at both ends of the hole.

INSTALLATION INSTRUCTIONS

INSTALLATION

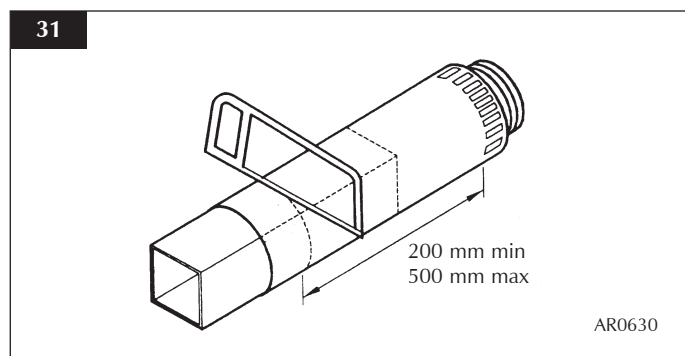
The appliance is factory set for top exit, but can be changed to a rear exit.

For a rear exit flue:

- 8.4 **Discard the outer spigot from the top exit set up and use the replacement spigot supplied in the rear terminal kit.**
- 8.5 To set the flue length, measure the total wall thickness, then add 65mm. This total flue length will give the minimum clearance of 50mm between the rear of the appliance and the wall. To cut the flue to length using a hacksaw, first insert the square cardboard sleeve into the flue. This will support the inner flue. Cut through the flue and sleeve (see Diagram 29).

ENSURE THE CARDBOARD REMNANTS ARE REMOVED FROM THE FLUE.

File the cut edges of the flue smooth.



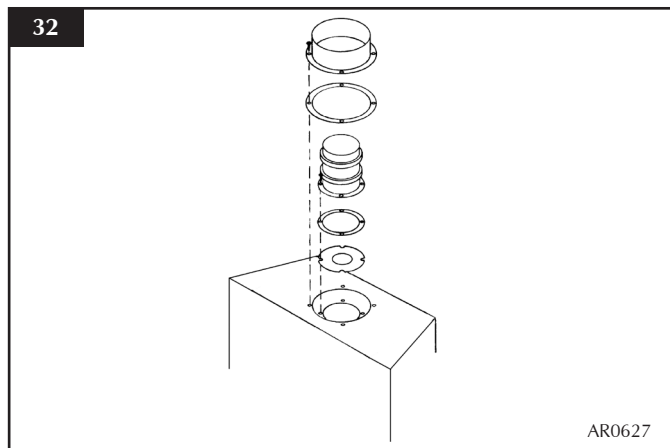
- 8.6 Fit the flue to the appliance and secure with the aluminium tape supplied.

Any terminal which is less than 2 meters above any access (level ground, balcony or above a flat roof to which people have access), is to be fitted with the guard supplied.
TOP EXIT FLUE

- 8.7 There are two types of top exit flues available, one with a vertical terminal, the other with a horizontal terminal.

Minimum and maximum flue lengths are shown in Installation Instructions, Site Requirements.

IMPORTANT: WHEN INSTALLING A TOP EXIT FLUE REFER TO THE TECHNICAL SPECIFICATIONS ON THIS PAGE FOR THE APPROPRIATE SIZE RESTRICTOR. IF A RESTRICTOR IS REQUIRED, FIT THIS BETWEEN THE SMALL OUTLET SPIGOT AND THE AIRDUCT (see Diagram 32).



TOP EXIT - VERTICAL & HORIZONTAL FLUE		
Vertical Flue Height from Top of Appliance	Horizontal Length	Restrictor Size
200 mm	500 mm	No restrictor
500 mm	1000 mm	No restrictor
1000 mm to 1500 mm	250 mm to 5000 mm	Ø 70 mm
1510 mm to 3000	250 mm to 5000 mm	Ø 60 mm

TOP EXIT - VERTICAL INCLUDING OFFSET	
Vertical Flue Height from Top of Appliance	Restrictor Size
3000 mm up to 4990 mm	Ø 52 mm
5000 mm up to 10,000 mm	Ø 47 mm

- 8.8 The appliance is factory set for top exit.
- 8.9 A 152mm (6") diameter hole in the wall or ceiling is required to install the flue. This can be achieved by either:
- Core drill
 - Hammer and chisel
- 8.10 Drill small holes around the circumference when using method b). Make good both ends of the hole.
- 8.11 Allow enough room either above or to the side of the appliance to assemble the flue on top.
- 8.12 Assemble a horizontal flue in the following order:
- Vertical section
 - 90° elbow
 - Horizontal plus terminal
- 8.13 Support the opening of a masonry installation with a lintel.

INSTALLATION INSTRUCTIONS

INSTALLATION

8.14 Only the horizontal terminal section can be reduced in size.

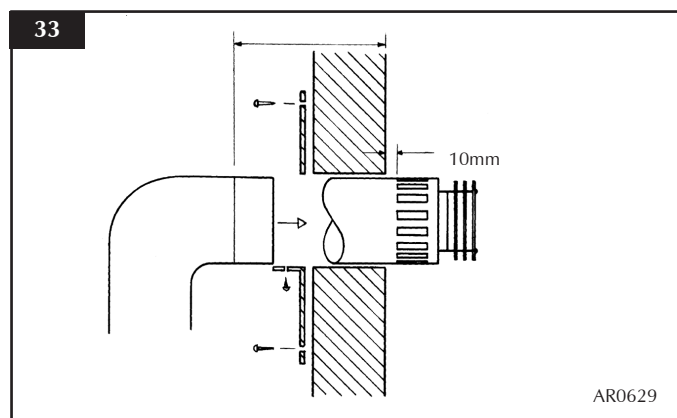
To find the length:

8.15 Measure from the outside of the wall to the stop on the 90°.

8.16 **Add 10 mm to the outlet end.**

8.17 Measure from the edge of the slots closest to the wall.

8.18 Mark around the flue (see Diagram 33).

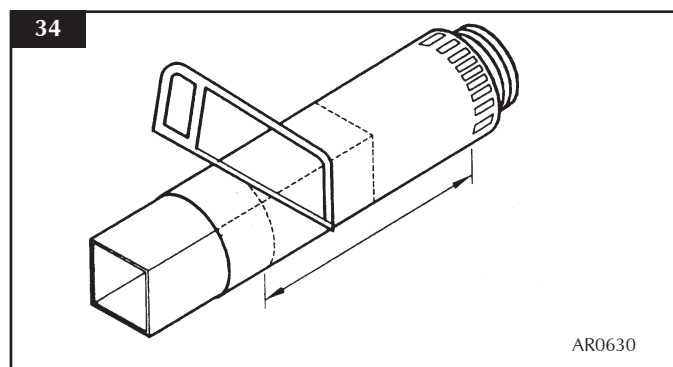


A wall plate is supplied to fix the flue to the wall:

8.19 Bend the tab to 90°.

8.20 Assemble the plate onto the flue but wait to secure to wall and flue after the flue is fully assembled (see Diagram 31).

8.21 The cardboard sleeve in the terminal is used to support the flue whilst it is cut to length. **WHEN FLUE CUT TO SIZE REMOVE THE CARDBOARD REMNANTS** (see Diagram 34).



9. ASSEMBLING THE APPLIANCE

There are two possible points of entry for your gas pipe depending on the location of your appliance, one located on the underside and the other located on the left-hand side:

9.1 Choose the most suitable for your installation.

9.2 Slit with a sharp knife before bringing through the supply pipe (see Diagram 34).

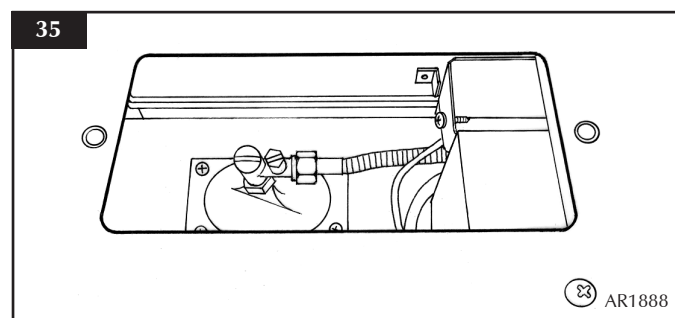
9.3 Remove the compression elbow from the appliance and connect it to the gas supply pipe.

As the appliance is fitted into the enclosure:

9.4 Pass the elbow and supply pipe through the silicone panel.

9.5 **PURGE THE SUPPLY PIPE.** This is essential to expel any debris that may block the gas controls.

9.6 Connect the elbow to the appliance inlet pipe (see Diagram 35).



To reassemble the control unit:

9.7 Put the left-hand side of the control unit into the left corner of the interior, before lowering down and sliding to the right.

9.8 Refix with the 13 x screws.

9.9 Connect the elbow to the appliance inlet pipe (see Diagram 33).

9.10 Remove the screw from the pressure test point.

9.11 Connect a suitable pressure gauge to the test point located on the inlet fitting.

9.12 Refit the burner.

9.13 Turn on the gas.

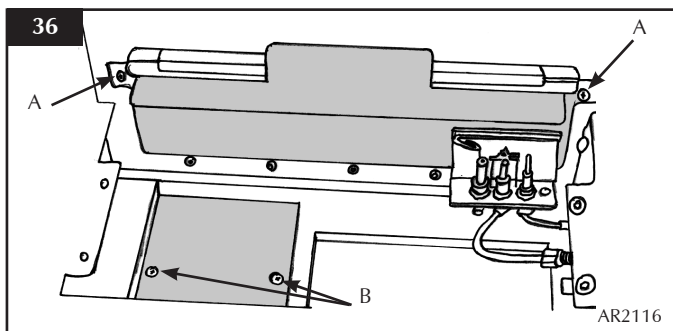
9.14 Light the appliance to check for leaks.

9.15 Turn off the gas.

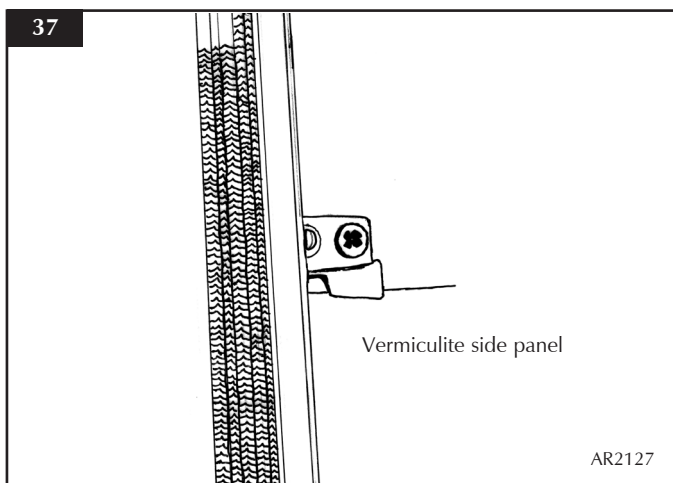
INSTALLATION INSTRUCTIONS

INSTALLATION

- 9.16 Remove the burner.
- 9.17 Disconnect the pressure test point.
- 9.18 Replace the test point screw.
- 9.19 Replace the access panel in the base of the appliance with the two screws (see Diagram 36, Arrow B).
- 9.20 Replace the rear air baffle, securing each side with the two screws (see Diagram 36, Arrow A).



- 9.21 Put the burner tray in place and tighten the four screws.
- 9.22 Replace the vermiculite back panel.
- 9.23 Refit the two side panels.
- 9.24 Refit the clips to the upper inside to hold the side panels in place (see Diagram 37).



- 9.25 Refit the front vermiculite panel in front of the burner.

10. ARRANGEMENT OF FUEL BED

ADVICE ON HANDLING AND DISPOSAL OF FIRE CERAMICS

The fuel effect and side panels in this appliance are made from Refractory Ceramic Fibre (RCF), a material which is commonly used for this application.

Protective clothing is not required when handling these articles, but we recommend you follow normal hygiene rules of not smoking, eating or drinking in the work area and always wash your hands before eating or drinking. To ensure that the release of RCF fibres are kept to a minimum, during installation and servicing a HEPA filtered vacuum is recommended to remove any dust accumulated in and around the appliance before and after working on it.

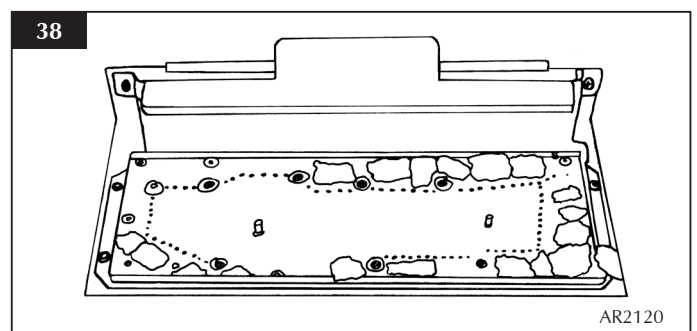
When servicing the appliance it is recommended that the replaced items are not broken up, but are sealed within heavy duty polythene bags and labelled as RCF waste. RCF waste is classed as stable, non-reactive hazardous waste and may be disposed of at a licensed landfill site.

Excessive exposure to these materials may cause temporary irritation to eyes, skin and respiratory tract; wash hands thoroughly after handling the material. After cleaning the appliance or replacing parts, carefully re-assemble the ceramic components.

WHEN THE EMBERS ARE PLACED ON THE BURNER IT IS IMPORTANT THEY DO NOT COVER ANY PORTS!

The fuel bed is made up of embers and 6 logs, identifiable by moulded letters:

- 10.1 Place the embers around the burner holes as shown in Diagram 38. **Do not cover any of the holes.**



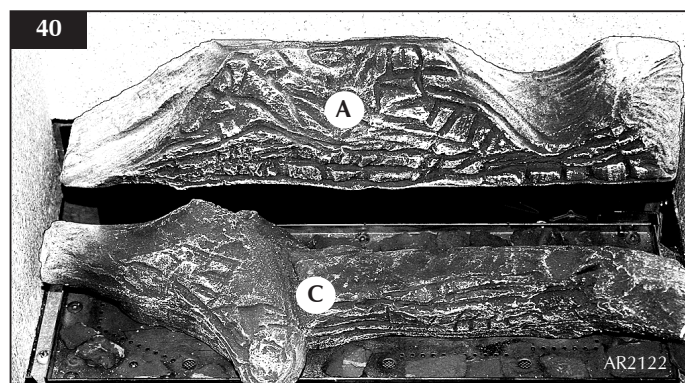
INSTALLATION INSTRUCTIONS

INSTALLATION

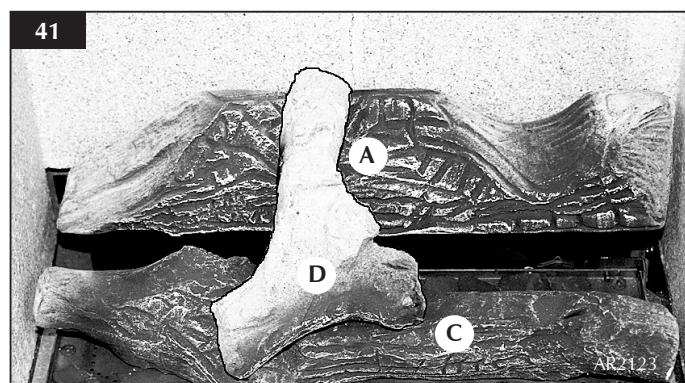
- 10.2 Place Log C onto the two studs on the burner skin (see Diagram 39) with charred effect of the log facing forward.



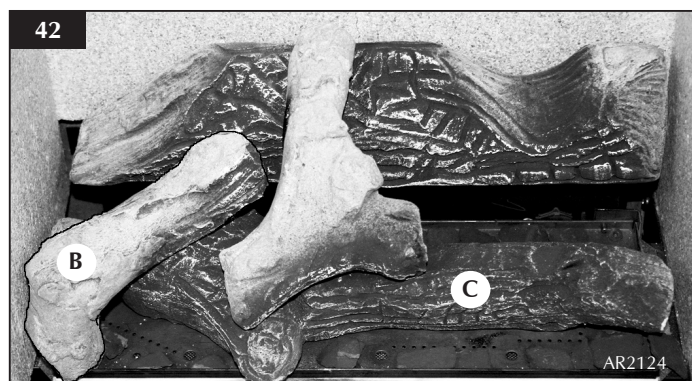
- 10.3 Place Log A on the ledge at the rear of the appliance (see Diagram 40).



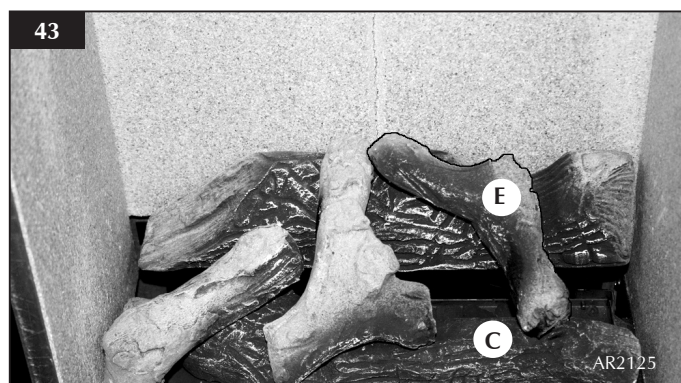
- 5.4 Place Log D so that the back end sits in the groove in the rear of Log A and the front left rests in the cut-out groove in Log C (see Diagram 41).



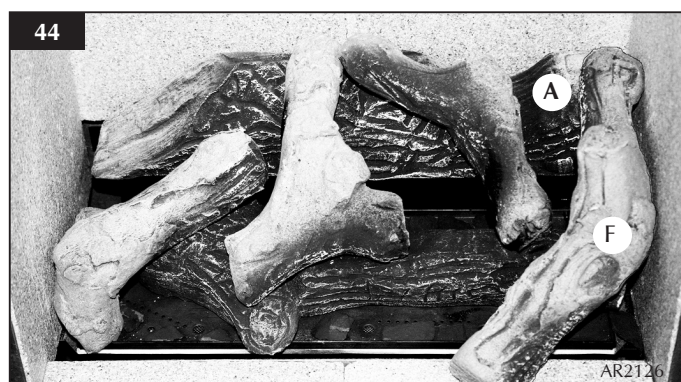
- 5.5 Position Log B so that the underneath rests in the groove of Log C, and the triangular groove in the base of Log C fits into the corner of the burner (see Diagram 42).



- 5.6 Put the groove in the base of Log E into the indent on the right of Log C. The left branch rests on the upper end of Log A (see Diagram 43).



- 5.7 Log F rests against Log C at its far right end, between Log A and the side panel. The front end of Log F sits on the front panel (see Diagram 44).



You must ensure the door catches are fully engaged:

- 5.8 Slide the hexagon key into the gap between the door and frame and locate the catch of the lower lock.
- 5.9 Push the hexagon key DOWN.
- 5.10 Slide the hexagon key into the gap and locate the upper lock.
- 5.11 Push the hexagon key UP.

INSTALLATION INSTRUCTIONS

INSTALLATION

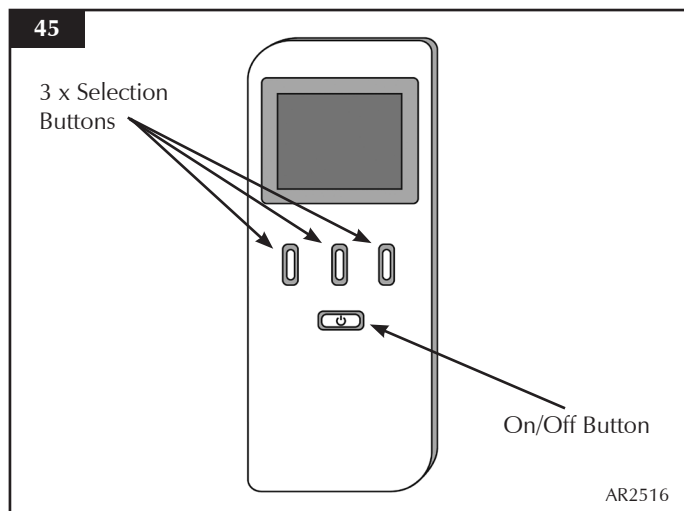
11. OPERATING THE APPLIANCE

11.1 The appliance can be operated in two ways:

- Using the fully programmable remote control unit.
- Using the touch pad control on the wall switch.

11.2 The appliance has four flame settings which can be controlled manually or automatically via temperature sensing:

1. Standby (Pilot only).
2. Low (Pilot lit and main burner lit at the minimum flame setting).
3. Med (Pilot lit and main burner lit at the medium flame setting).
4. High (Pilot lit and main burner lit at the highest flame setting).



11A. FULLY PROGRAMMABLE REMOTE CONTROL HANDSET

11.3 The remote control handset has been factory set to only communicate with the appliance it is supplied with. The appliance will not respond to any other remote control, even one from an identical appliance.

Note: In the event of a replacement handset being acquired, pairing of the handset with the appliance will need to be carried out. Please refer to Commissioning, Section 2, Pairing Handset on page 37.

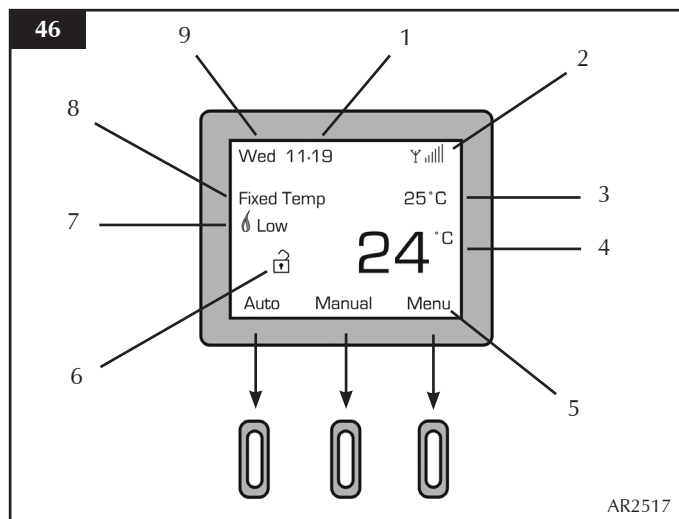
11.4 The handset has been factory configured with the following options:

- a) Auto thermostat mode enabled - the flame height will alter automatically to achieve a desired room temperature (when set).
- b) Gap temperature set at 2°C - if the handset temperature display falls 2°C below the fixed temperature when in standby mode (pilot only) the appliance will automatically ignite the main burner at the low flame setting.
- c) Programming - allowing a daily or weekly program of operation to be set.
- d) Soft start enabled - in thermostat mode there is a 10 second delay between flame settings when more than one change of setting is required i.e. from High to Low.
- e) Sounder ON - accepted operations via the handset will initiate a beep from the appliance control).
- f) Safety Temperature - pre-set to switch the appliance off if the remote temperature display exceeds 40°C.

Before using the remote control:

- 11.5 Ensure batteries are fitted (2x AA 1.5v high quality (Duracell or similar) alkaline - DO NOT USE RECHARGEABLE).
- 11.6 If there is no display on the LCD screen press any key.

NOTE: To select a function from the options displayed at the bottom of the screen press the button directly below the desired function (see Diagram 46).



- 11.7 When first powered, the handset displays the OFF screen. The handset may also be locked as indicated by the symbol (🔒).
- 11.8 To unlock the handset select Unlock followed by OK - the symbol will change to (🔓).

INSTALLATION INSTRUCTIONS

INSTALLATION

- 11.9 The LCD screen displays the following information (see Diagram 46):
- 1) Time
 - 2) Signal strength (between handset and appliance)
 - 3) Selected Setting - selected flame setting (highlighted) or desired temperature if in auto mode
 - 4) Current room temperature
 - 5) Button function
 - 6) Child lock status
 - 7) Current flame status
 - 8) Selected Mode - Manual / Auto (Thermo / Fixed Temp) / Program - when appliance is switched on
 - 9) Day of the week

To set or adjust the items on the display:

11.10 Select Menu from the bottom right of the main screen.

11.11 Select Adjust Menu.

In this menu it is possible to set the:

Temperature Unit (°C or °F)
Language
Autolock (On/Off)
Day
Hour
Minute
Comfort temperature
Night temperature

In addition access can be gained to the programmable functions via the Change Prog option (see Section 11C).

Note: The current day and time must be set in order for the programmable functions to work.

- 11.12 Using the button below the symbol (↓) scroll down to Day and press the button below Select. Use the buttons below the symbols (↑) and (↓) to set the day of the week.
- 11.13 Press the button below Back, scroll down to Hour and select it. Use the buttons below the symbols (↑) and (↓) to set the hour.
- 11.14 Press the button below Back, scroll down to Minute and select it. Use the buttons below the symbols (↑) and (↓) to set the minutes.
- 11.15 The same process can be used to set any of the functions within this menu.

11.16 There are 3 different modes available for controlling and operating the appliance:

1. Manual Mode
2. Automatic Mode
3. Program Mode

Refer to Section 11B for full details.

NOTE: WHEN OPERATING THE APPLIANCE IN AUTOMATIC OR PROGRAM MODE, THE PILOT REMAINS LIT AND THE MAIN BURNER AUTOMATICALLY SWITCHES ON AT PROGRAMMED TIMES TO BRING THE ROOM TO THE SET TEMPERATURE WHETHER OR NOT YOU ARE IN THE ROOM. NEVER LEAVE ANY COMBUSTIBLE MATERIALS WITHIN 1 METRE OF THE FRONT OF THE APPLIANCE.

11B. SETTING THE MODE OF OPERATION

1. Manual Mode

The Manual mode can be used to turn the appliance on and alter flame height and, therefore, temperature.

To use the manual mode of operation:

11.17 If there is no display on the LCD screen press any key.

If the appliance is off (no pilot flame) the handset will display the word OFF.

The handset may also be locked as indicated by the symbol (🔒).

11.18 To unlock the handset select Unlock followed by OK - the symbol will change to (🔓).

11.19 Select On followed by OK. The appliance will emit a single beep and the pilot will light.

Note: There may be a slight delay between pressing the remote and the appliance responding.

11.20 Select Manual and the screen will highlight the current flame setting (Pilot).

11.21 To light the main burner select (↑). The screen will highlight the current flame setting (Low) and the main burner will light at the Low setting.

11.22 Use the buttons directly below the symbols (↓) and (↑) to increase or decrease the flame setting between the Pilot and the High setting.

11.23 To turn off the appliance press the ON/OFF button once (see Diagram 45).

11.24 To lock the handset select Lock.

INSTALLATION INSTRUCTIONS

INSTALLATION

NOTE: If the Safety Temperature (see Section 11.4 f) is exceeded then the appliance will turn itself off. The appliance can not be turned on again until the room temperature has dropped below the safety temperature.

2. Auto Mode

The auto mode of operation allows the user to pre-set the desired room temperature. The appliance will control the flame setting automatically to maintain this temperature.

To use the auto mode of operation:

- 11.25 If there is no display on the LCD screen press any key.
- 11.26 If the appliance is off (no pilot flame) the handset will display the word OFF.
- 11.27 The handset may also be locked as indicated by the symbol (🔒).
- 11.28 To unlock the handset select Unlock followed by OK - the symbol will change to (🔓).
- 11.29 Select On followed by OK. The appliance will emit a single beep and the pilot will light.
- 11.30 Select Auto. The screen will display the word Thermo and the set room temperature will be highlighted.
- 11.31 To adjust the desired room temperature use the buttons directly below the symbols (↓) and (↑). The set temperature can be adjusted between 0°C and 37°C.

The flame setting required to achieve the desired room temperature will be displayed below the word Thermo.
- 11.32 In accordance with the factory configurations the following will apply:
 - a) For every 1°C below the set temperature the flame height will increase.
 - b) For every 1°C above the set temperature the flame height will decrease.
 - c) There will be a delay of 10 seconds between each automatic flame setting adjustment.
- 11.33 Once the desired room temperature has been set, select Back to return to the main screen.
- 11.34 The main screen will now display the words Fixed Temp, the set temperature (e.g. 21°C) and the current room temperature (largest number). To change the set temperature at any time select Auto and follow 11.31 above.
- 11.35 To exit the Auto mode at any time select Manual from the bottom of the screen and follow Section 11.18 - 11.25.

3. Program Mode

The program mode of operation allows the appliance to be pre-set to a choice of temperature options on a daily or weekly cycle. The appliance will automatically operate and control the flame setting to maintain pre-set hourly temperatures during each 24hr period. **To set a daily row weekly program please refer to Section 11C.**

LOW BATTERY

If the batteries in the remote control handset become discharged the LCD display will show the message Low Battery.

NOTE: Only replace the handset batteries with high quality (Duracell or similar) type AA 1.5v alkaline. **DO NOT USE RECHARGEABLE BATTERIES.**

REMOTE SIGNAL STRENGTH

- 11.36 If the appliance does not respond to the handset, check the strength of the reception signal in the top right hand corner of the LCD display (Y▯▯▯).

If there are no vertical bars next to the signal symbol (Y) then communication between the appliance and the handset has been lost. If the communication loss exceeds 18 minutes then the appliance will emit 20 beeps and switch OFF. Try the following:

- 11.37 Move the handset closer to the appliance.

NOTE: Try to avoid placing the handset a long distance from the appliance. It can take some time for the signal to return.

- 11.38 Replace the batteries in the handset.
- 11.39 If there is still no signal, operate the appliance using the touch pad control on the wall switch (refer to Section 11D) and consult your installer or Gazco dealer.

11C. PROGRAM MENU

- 11.40 The program menu can be used to pre-set the appliance to function automatically.
There are two types of program mode:
 - 1. Daily mode - the temperature can be selected (from a range of settings) for each hour over a 24hr period - the set pattern is then repeated every day.
 - 2. Weekly mode - the temperature can be selected (from a range of settings) for each hour over a 24hr period for each individual day of the week (Mon - Sun).

Note: In order for the programmable functions to work the current day and time must be set first, see Section 11.11.

INSTALLATION INSTRUCTIONS

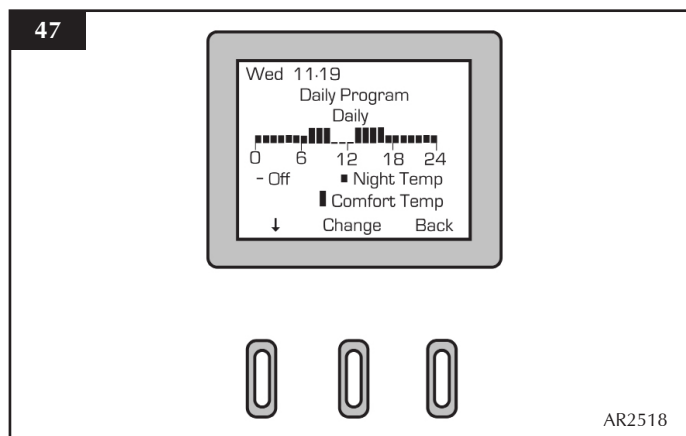
INSTALLATION

11.41 One of 3 pre-set temperature options can be chosen for each hour across the 24 hour period:

- Off - the appliance will remain in Standby mode (pilot only - please note the appliance will not switch off completely when in program mode)
- Night Temp - the appliance will operate automatically to maintain the pre-set night temperature.
- █ Comfort Temp - the appliance will operate automatically to maintain the pre-set comfort temperature.

11.42 To set the Comfort and Night temperature refer to Section 11.11.

11.43 To access the program menu select Menu. In the next screen select Adjust Menu. Use the button directly below the symbol (↓) scroll to Change Prog and select. The programming screen will be displayed as shown in Diagram 47.



To set a Daily program of operating times:

11.44 In the program menu the word Daily should be highlighted. Press the button below the symbol (↓) to access the 24 hour timer (see Diagram 47). The arrow should now point to the right (→).

11.45 The timer reads 0 - 24 with 0 representing midnight. Press the button below the symbol (→) to scroll through the 24 hour timer. With the cursor resting on the chosen hour, press Change until you have reached the desired setting for that hour. Use the button below the symbol (→) to scroll to the next hour and select the desired function for each hour until all 24 hours are set.

To set a weekly program of operating times:

11.46 Select the day of the week (Mon - Sun) using the button below the word Change. Select the function settings for each hour of the given day as detailed in 11.45 above.

11.47 Once the programming is completed select Back to return to the main screen.

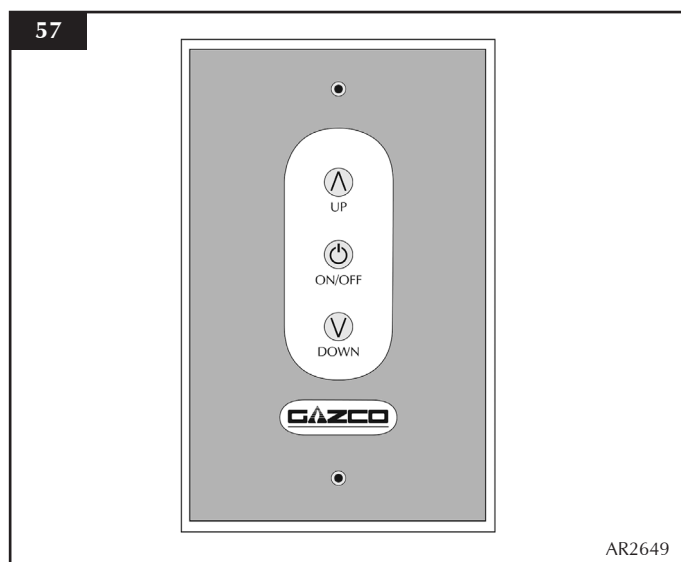
To launch the program:

Note: The appliance must be ON (pilot lit or any flame setting) in order to launch the program.

11.48 Select Menu. In the next screen use the button directly below the symbol (↓) to scroll to Program and select it. Select Change until the highlighted text reads ON.

11.49 Select Back and use the button directly below the symbol (↓) to select Prog Type. Press the button directly below the word Select followed by Change until the desired program (Daily or Weekly) is selected. Select Back twice to return to the main screen.

11D. TOUCH PAD CONTROL



The touch pad control is located on the front of the wall switch and allows manual operation of the appliance (see Diagram 57).

With the touch pad it is possible to turn the appliance ON, OFF and control the flame setting.

NOTE: When using the touch pad buttons the red LED will briefly illuminate and a beep will be emitted from the appliance to indicate an accepted command.

To Switch ON:

11.50 To turn the appliance ON press the ON/OFF button once. The ignition sequence will commence. This may take up to 20 seconds. The pilot will be lit once the start up sequence has completed.

11.51 If the pilot fails to light, press the ON/OFF button again to switch OFF. Wait for at least 30 seconds before attempting to switch on again.

INSTALLATION INSTRUCTIONS

INSTALLATION

To change the flame level:

- 11.52 With the Pilot lit the appliance is in Standby mode.
- 11.53 Press the button below the symbol (↑) once. The main burner will be ignited on the Low flame setting.
- 11.54 Press the button below the symbol (↑) once more to increase the flame setting to the Medium position.
- 11.55 Press the button below the symbol (↑) once more to increase the flame setting to the High position.
- 11.56 To reduce the flame, press the button below the symbol (↓). At the lowest setting only the Pilot will be lit and the appliance will be in Standby mode.

To Switch OFF:

- 11.57 To turn the appliance OFF press the ON/OFF button. The pilot flame will be extinguished.

NOTE: Following main burner operation do not attempt to switch on the appliance again for at least 3 minutes.

TOUCH PAD CONTROL NOT WORKING

If the appliance is not operating with the touch pad control:

- 11.58 In accordance with User Instructions, Section 4, replace the batteries in the wall switch unit.
- 11.59 If the appliance still fails to operate consult your installer or Gazco dealer.

12. LIGHTING THE APPLIANCE

- 12.1 Using either the manual mode of the remote handset (see Section 13B) or the touch pad control (Section 13D) ignite the appliance and operate at the highest flame setting.

INSTALLATION INSTRUCTIONS

COMMISSIONING

1. COMMISSIONING

- 1.1 Complete the Commissioning Checklist at the front of this manual covering:
 - Flue checks
 - Gas checks

For working pressure test, use the access panel at the gas connection ensuring the burner is in position. Refer to Replacement of Parts, Section 16.
- 1.2 Upon completion of the commissioning and testing of the installation and correct operation of the appliance, the installer must instruct the user how to operate the appliance.
- 1.3 Guide the user through the User Instructions paying particular attention to:
 - a) Regular servicing (Section 9 of the User Instructions).
 - b) Ventilation (Section 10 of the User Instructions) - point out the ventilation positions where applicable.
 - c) Hot surfaces (Section 12 of the User Instructions).
 - d) How the appliance works with the touch pad control (Section 2B of the User Instructions).
 - e) How the appliance works with the remote control handset and the modes of operation (Section 2A of the User Instructions).
 - f) How to change settings in the auto mode and program modes of operation.
 - g) What to do if the appliance fails to operate (Section 13 of the User Instructions).

2. PAIRING THE APPLIANCE

If there is no communication between the remote handset and the appliance, or if the handset is replaced, it will be necessary to pair the (new) handset with the appliance.

- 2.1 Ensure batteries are fitted and working in the handset.
- 2.2 Re-fit the touch pad control cable and the battery power supply cable to the control box.
- 2.3 Press the ON/OFF button for 40 seconds until the configuration screen appears.
- 2.4 When the configuration menu screen appears ensure the Pairing option is set to ON using the Change button.
- 2.5 Within 20 seconds press the yellow button on the control unit (see Diagram 17, page 45). This may be easier using a pencil, ball point pen or similar.
- 2.6 The control will emit a single beep to confirm the pairing operation and the remote handset will display a signal level in the top right hand corner.

If there are any difficulties achieving pairing ensure that the handset is set to Channel A. To do this follow the steps below:
- 2.7 Press the ON/OFF button for 40 seconds until the configuration screen appears.
- 2.8 Scroll down the menu using the (↓) button and select Channel A.
- 2.9 Ensure the Pairing option is set to ON using the Change button.
- 2.10 Disconnect the batteries from the control box and reconnect after 10 seconds.
- 2.11 The motor on the valve will turn. Once it has stopped repeatedly press and release the yellow button on the control box until the control box emits a single beep to confirm the pairing operation has been successful.

SERVICING INSTRUCTIONS

SERVICING / FAULT FINDING CHARTS

1. SERVICING REQUIREMENTS

IMPORTANT – The glass panel on this appliance should be checked for any signs of damage on the front face of the glass panel (scratches, scores, cracks or other surface defects). If damage is observed, the glass panel must be replaced and the appliance must not be used until a replacement is installed. Under no circumstances should the appliance be used if any damage is observed. Please isolate the appliance until a replacement glass panel has been obtained and installed. Replacement glass panels can be purchased from Gazco via the dealer from which the appliance was purchased or any other Gazco distributor.

This appliance must be serviced at least once a year by a competent person.

All tests must be carried out in accordance with the current Gas Safe recommendations.

1.1 Before Testing:

- Conduct a gas soundness test for the property ensuring there are no leaks before servicing.
- Check the operation of the appliance before testing.

1.2 Special checks:

- Clean away lint or fluff from the pilot.
- Clean away lint or fluff from under the burner.
- Check the spark gap on the pilot is correct.

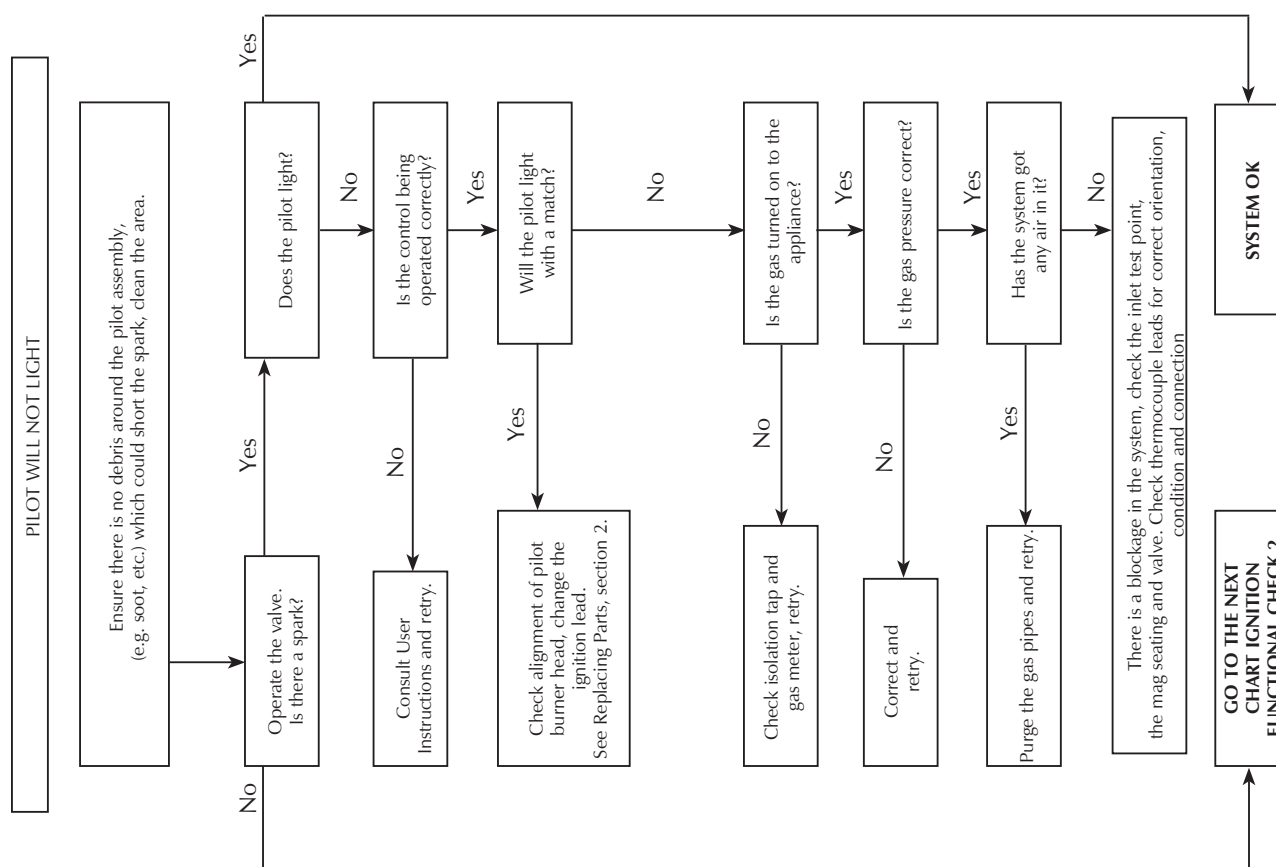
1.3 Correct any faults found during the initial test.

1.4 Re-commission the appliance in accordance with Commissioning Procedures as detailed on page 40 of these instructions.

1.5 Advise the customer of any remedial work undertaken.

REPLACE BATTERIES BEFORE ATTEMPTING TO RECTIFY ANY FAULTS.

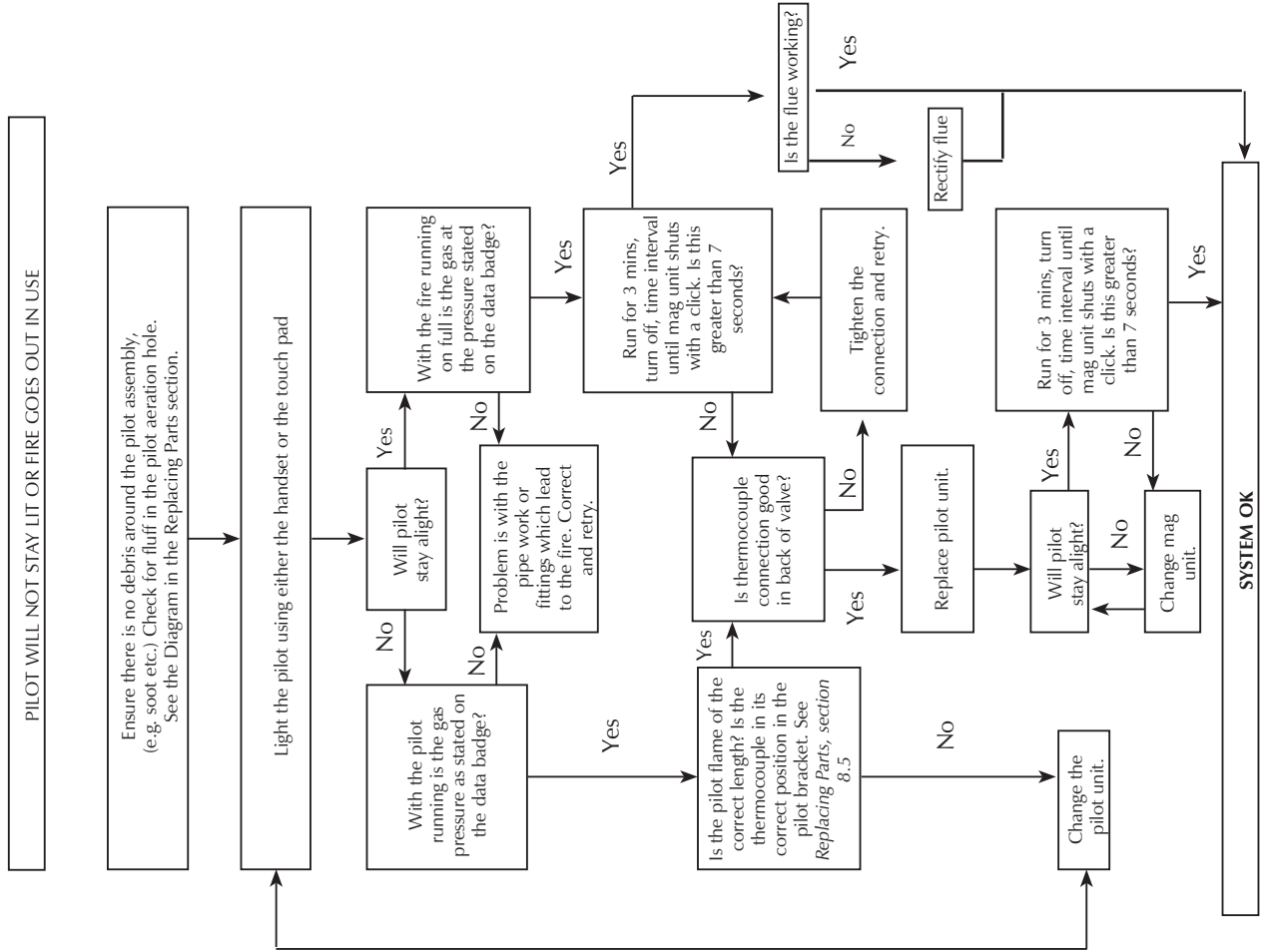
IGNITION FUNCTIONAL CHECK 1



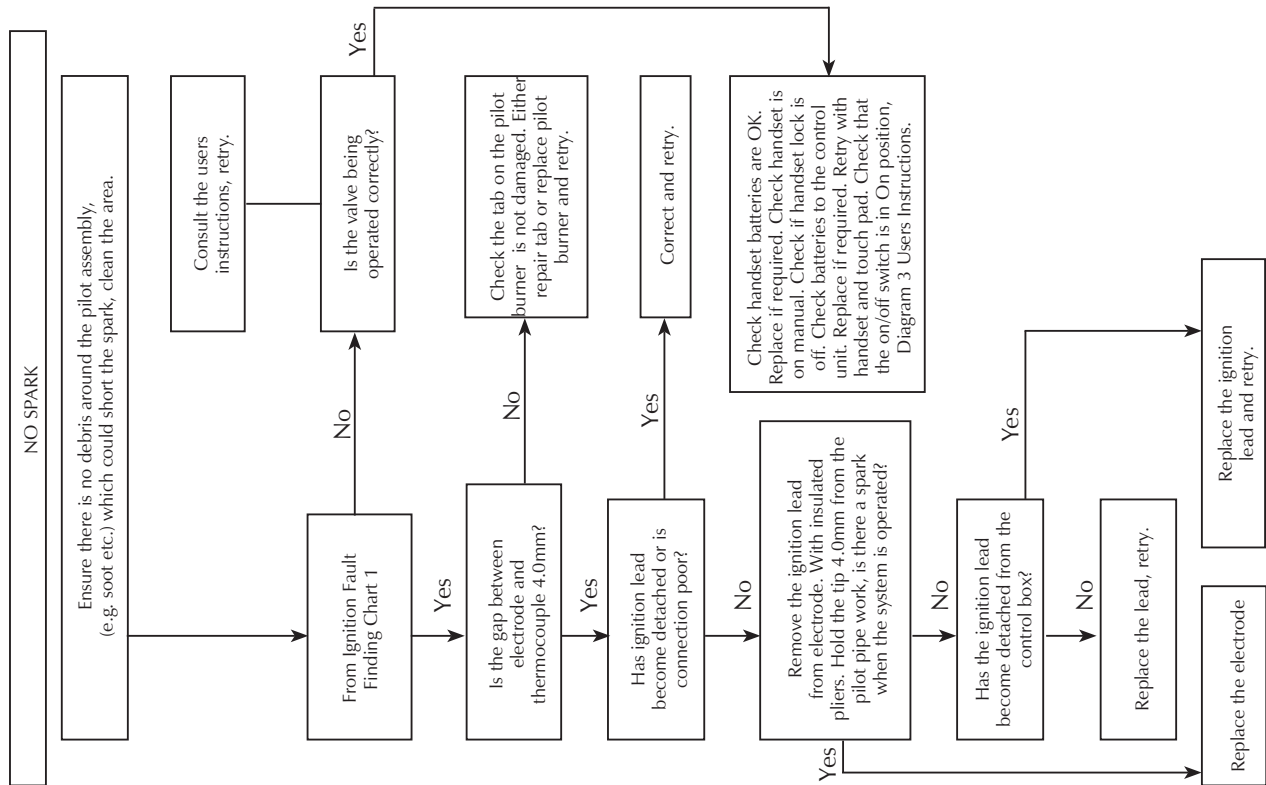
SERVICING INSTRUCTIONS

FAULT FINDING CHARTS

FLAME FAILURE FUNCTIONAL CHECK 3



IGNITION FUNCTIONAL CHECK 2



SERVICING INSTRUCTIONS

FAULT FINDING CHARTS

ELECTRONIC CONTROL VALVE FAULT ANALYSIS

Problem	Cause	Error Message	LCD Display	Solution	
Does not ignite	No batteries or flat batteries in control unit	10 beeps	BATTERY ERROR	Place new batteries in control unit	
	ROM error	2 cycles of 3 beeps	ROM ERROR	Change control unit	
	Support test error	2 cycles of 5 beeps	SUPPORT ERROR	Connect earth cable from battery box to valve	
	Bad reception of remote handset signal				Change batteries in the remote handset
					Check the reception of signal from a shorter distance
					Try pairing again
					Try changing the channel in the configuration menu
	No response to touch control buttons	If LED is continuously on, the cable is connected the wrong way round		Ensure the touch control cable is correctly connected (see installation manual)	
Cable loose or broken or connected wrong way round	Change touch control				
Supply cable to valve disconnected or broken	2 cycles of 5 beeps	SUPPORT ERROR	Reconnect or replace valve cable		
Ignition cable disconnected or broken			Connect ignition cable		
Sparks but no pilot ignition	Gas valve supply off or no gas			Check gas installation. Open gas valve	
	Valve cable disconnected or broken			Connect valve cable correctly	
	Pilot cable disconnected or broken			Connect correctly or replace pilot cable	
Pilot ignites but does not stay on	Pilot is not warmed up			Check pilot flame and verify that it heats the pilot	
	Pilot cable badly connected			Change polarity of pilot cable	
	Pilot cable disconnected or broken			Connect pilot cable	
Ignites from remote handset but not from touch pad	Touch control cable disconnected or broken			Connect or replace touch control cable	
	Defective touch control buttons			Change touch control	
Ignites from touch pad but not from remote	Bad communication with handset			Check batteries in handset	
				Check reception of signal from a shorter distance	
				Try pairing again	
				Try changing the channel in the configuration menu	
Switches off after 6 seconds	Shortcut in touch control	5 beeps	BUTTON ERROR	Change touch control wiring	
Low batteries on remote			Low battery	Change the batteries in the remote	
Appliance switches off		2 cycles of 3 beeps	CONFIG ERROR	Change control unit	
		2 cycles of 3 beeps	EEPROM ERROR	Try pairing again Change control unit	
	Loss of communication between appliance and remote for 18min	20 beeps		The remote is too far from the appliance Replace batteries in handset	
	High temperature on control unit	1 long beep	TEMP ERROR	If this occurs more than once call the technical service	
	Ambient temperature higher than configured		Over Temperature	Check the correct configuration of safety temperature	

SERVICING INSTRUCTIONS

REPLACING PARTS

1. GENERAL

- 1.1 All main components can be replaced without removing the appliance from its installation.

IT IS ESSENTIAL THAT THE GAS SUPPLY TO THE APPLIANCE IS TURNED OFF AT THE ISOLATION DEVICE BEFORE PROCEEDING FURTHER.

- 1.2 **DISCONNECT BATTERIES BEFORE SERVICING THE APPLIANCE.**

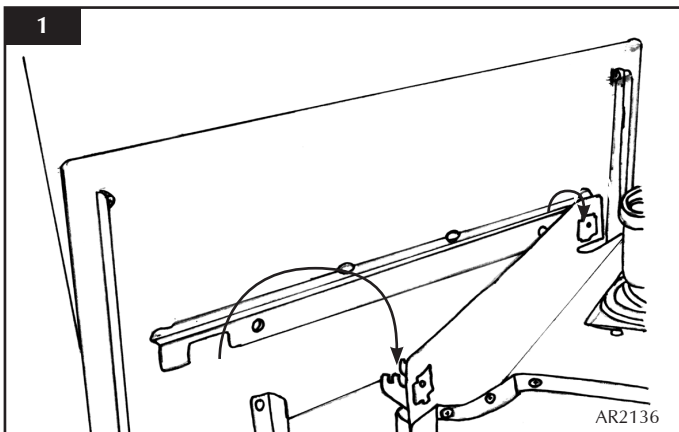
Removal of Flue

- 1.3 **If, for any reason, the flue has to be removed from the appliance, the seal must be replaced in the inner spigot.**
- 1.4 Access to the controls is restricted and the whole control assembly must be removed as one unit (see Section 7 below).

2. DECORATIVE FRAME

The same method is used to remove each frame.

- 2.1 Lift the frame upwards off the four support brackets (see Diagram 1).

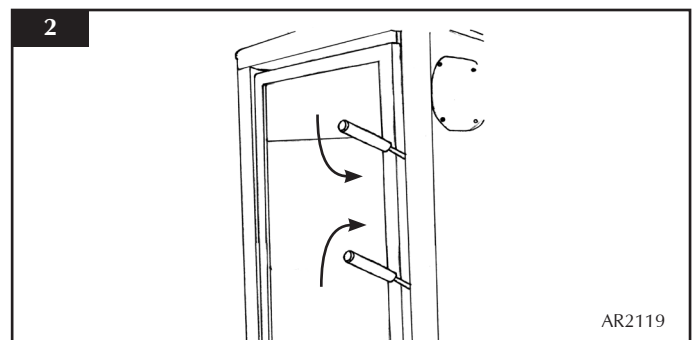


NOTE: THE STEEL FRAME IS HEAVY. TAKE CARE WHEN LIFTING

3. WINDOW FRAME ASSEMBLY

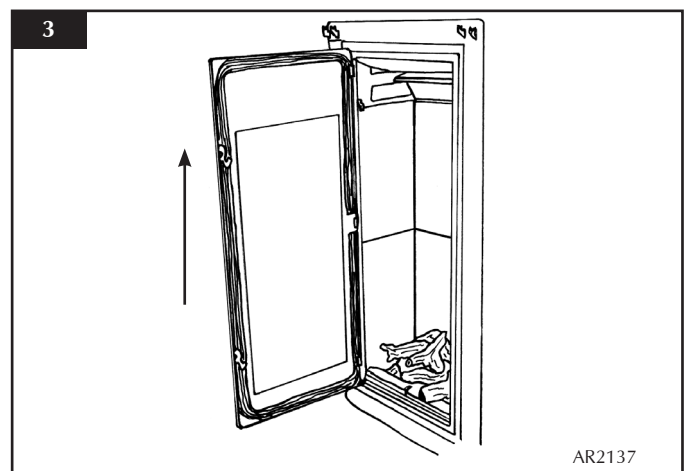
Use the hexagon key provided to release the upper and lower catches on the right side of the door:

- 3.1 Slide the hexagon key into the gap between the door and frame and locate the catch of the upper lock.
- 3.2 Push the hexagon key DOWN.
- 3.3 Slide the hexagon key into the gap and locate the lower lock.
- 3.4 Push the hexagon key UP.
- 3.5 Open the door outwards.
- 3.6 **When closing the door ensure the door catches are fully engaged.**



To completely remove the glass front:

- 3.7 Open the door at a right angle to the appliance.
- 3.8 Lift the door vertically off its hinges and place to one side (see Diagram 3).



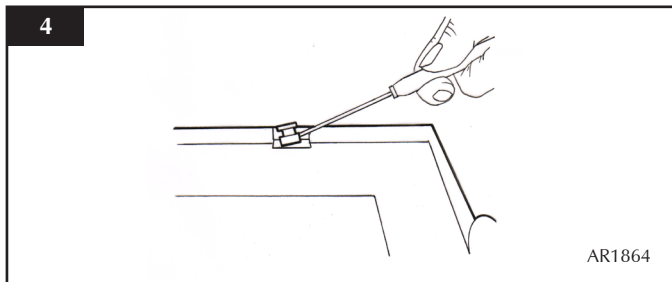
- 3.9 Refit in reverse order.

SERVICING INSTRUCTIONS

REPLACING PARTS

4. GLASS WINDOW

- 4.1 Remove the two clips and brackets from either side of the frame (see Diagram 4).



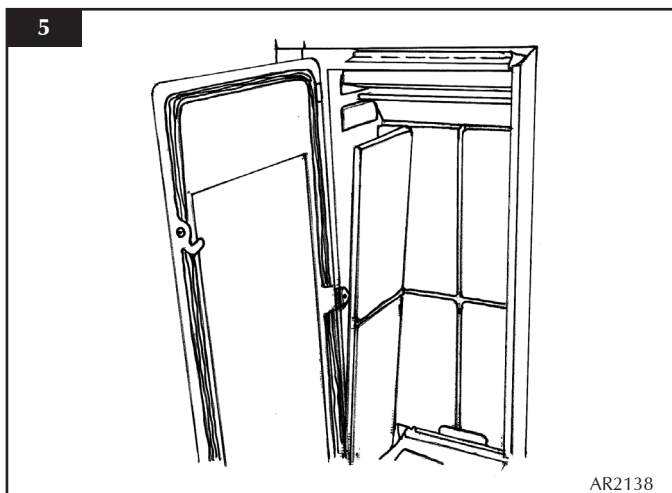
- 4.2 Lift the glass clear from the lock bracket at the top of the frame and slide out.

5. VERMICULITE PANELS

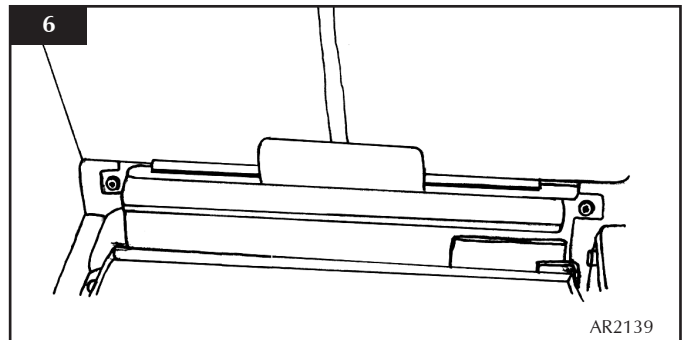
TAKE CARE WHEN HANDLING THE VERMICULITE PANELS, THEY ARE FRAGILE.

Note: Make sure you support the back panel before removing the second side panel in case the back falls forward.

- 5.1 Undo the clips at the top of the side panels.
While supporting the rear panel:
- 5.2 Remove each side panel and place to one side.
- 5.3 Remove the back panel.



- 5.4 Remove the front lower panels.
- 5.5 Reassemble in reverse order, ensuring the bottom edge of the back panel is behind the Air Baffle (see Diagram 6).

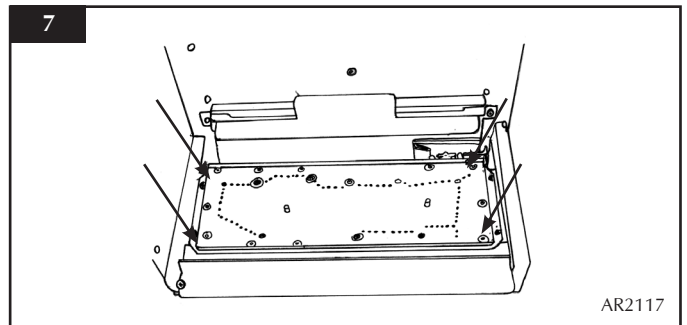


- 5.6 Replace the side panels.

6. MAIN BURNER

To replace the main burner:

- 6.1 Remove the logs and embers from the burner.
- 6.2 Undo the four screws holding the burner tray in place.
- 6.3 Lift the left side of the burner up and out first (see Diagram 7).



To replace the burner:

- 6.4 Lower the right-hand side over the injector.
- 6.5 Lower the left side down.
- 6.6 Insert the four fixing screws and tighten.

NOTE: Before replacing the burner, make sure the silicone seal around the injector is intact.

SERVICING INSTRUCTIONS

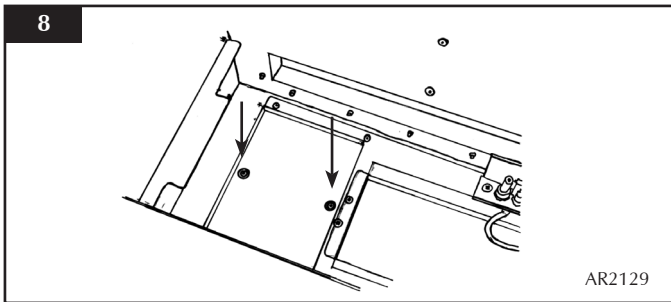
REPLACING PARTS

7. MAIN CONTROL ASSEMBLY

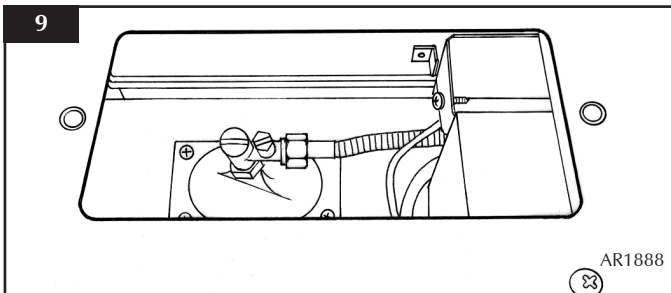
7.1 To access the main control assembly first remove:

- The decorative frame if applicable
- The door
- Vermiculite panels
- Main burner
- Air baffle

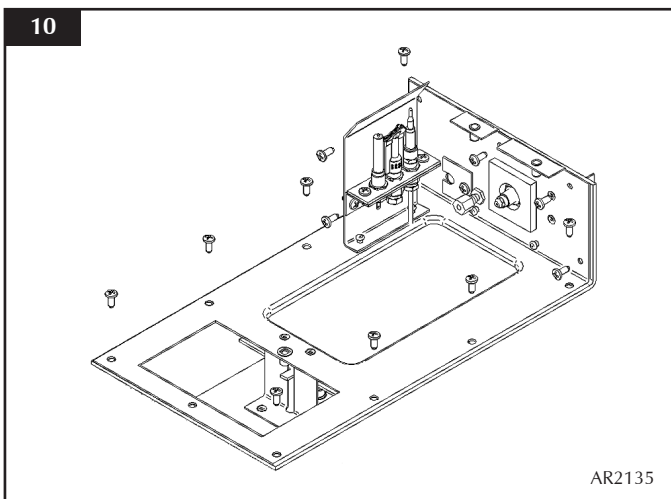
7.2 To remove the access panel undo the two screws (see Diagram 8).



7.3 Isolate the gas supply at the isolation device and disconnect the gas inlet (see Diagram 9).



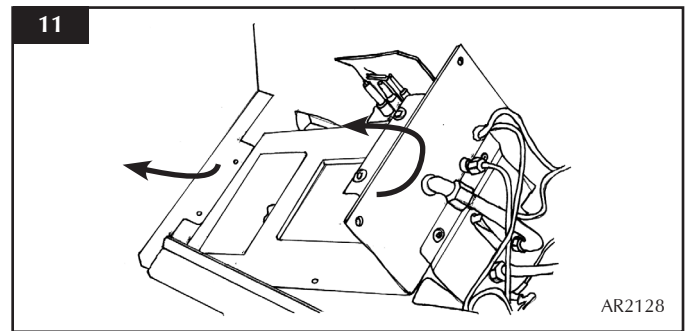
7.4 Undo the 13 x screws fixing the control unit in place.



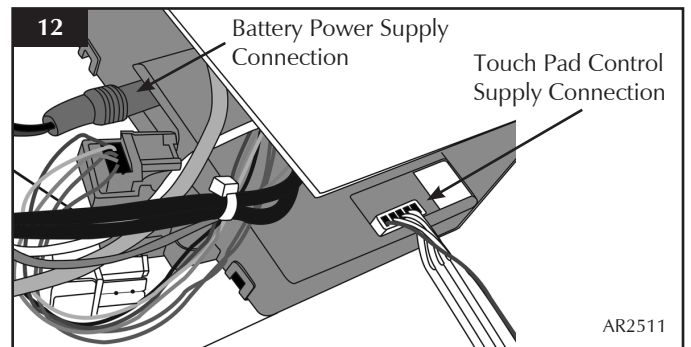
With all screws removed:

7.5 Slide the control unit to the left.

7.6 Lift the right-hand side up and out.



7.7 Disconnect the battery supply cable and the touch pad control cable from the control unit (see Diagram 12).



7.8 The control assembly can now be lifted up and removed.

7.9 Reassemble in reverse order.

8. PILOT UNIT ASSEMBLY

The pilot assembly consists of four components which can be individually changed:

1. Pilot burner bracket
2. Pilot injector
3. Electrode
4. Thermocouple

NOTE: Ensure the sealant surrounding the Pilot Injector, Electrode and Thermocouple leads is replaced if disturbed or removed whilst gaining access to these components.

8.1 Before commencing work on the pilot the Main Control Assembly must be removed (see Section 8 above).

Pilot Burner Bracket

To remove the Pilot Burner Bracket:

SERVICING INSTRUCTIONS

REPLACING PARTS

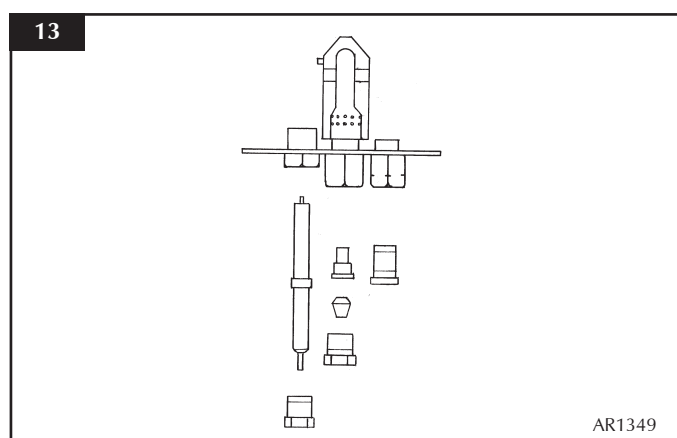
8.2 **First remove the electrode, pilot pipe and thermocouple following points 8.8 - 8.14 below.**

8.5 Remove the two screws securing the bracket. The pilot burner bracket can now be removed.

8.6 Replace in reverse order.

Electrode

8.7 Pull the ignition lead off the electrode and undo the retaining nut (see Diagram 13).

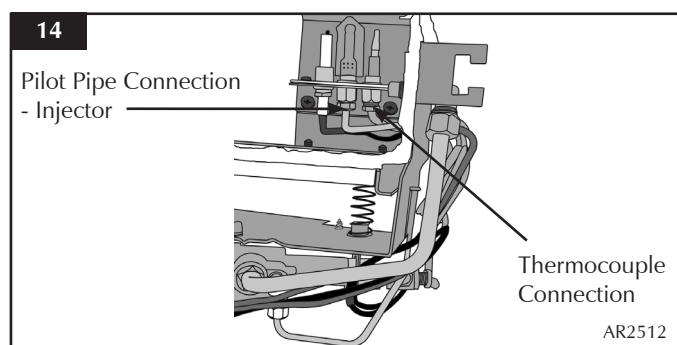


8.8 Replace with a new electrode. Do not over-tighten the nut; this could break the component.

8.9 Replace the ignition lead by pushing the spade connector onto the terminal (electrode).

Pilot Injector

8.10 Undo the pilot pipe from the gas valve and from the underside of the pilot burner (see Diagram 14).



8.11 Remove the pipe and the injector drops out from the burner.

Thermocouple

8.12 Disconnect the thermocouple from the gas valve/interrupter noting the position of the interrupter leads (see Diagram 14). The lead with the red tag **MUST** be placed closest to the gas valve.

8.13 Undo the thermocouple nut in the back of the pilot bracket half a turn. This releases the thermocouple.

8.14 When replacing with a new thermocouple, take care to bend the new component to the same shape as the thermocouple just removed.

8.15 To refit the thermocouple into the pilot bracket, ensure it is pushed fully into the hole. There is a stop on the thermocouple to set the height.

8.16 Lock the retaining nut just enough to grip the thermocouple.

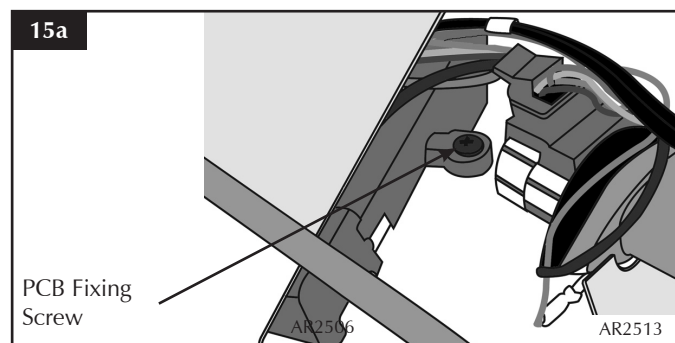
8.17 Connect the thermocouple to the valve/interrupter and **take care not to over-tighten.**

9. IGNITION LEAD

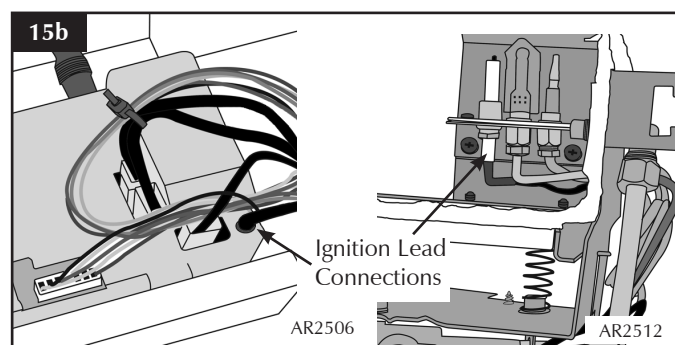
To replace the ignition lead:

9.1 Release the Main Control Assembly and tilt backwards (see Section 7, above).

9.2 Remove PCB fixing screw (see Diagram 15a).



9.3 Remove the ignition lead from the control box (see Diagram 15b).



9.4 Remove the ignition lead from the electrode (see Diagram 15b).

Note the direction of the lead. The new lead must follow exactly the same route.

SERVICING INSTRUCTIONS

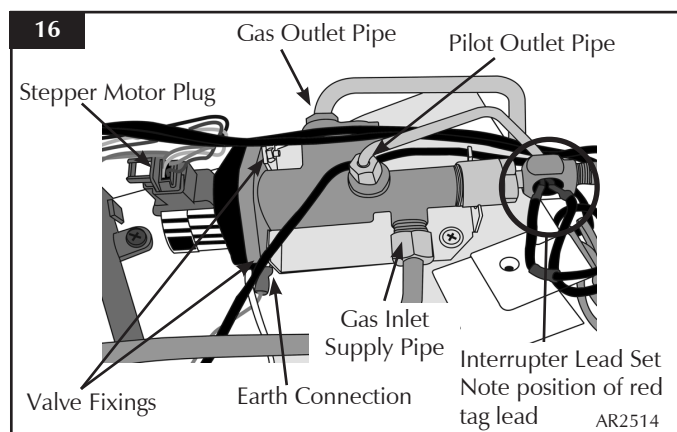
REPLACING PARTS

NOTE: THE IGNITION LEAD MUST NOT PASS IN FRONT OF THE CONTROL BOX AS THIS CAN DAMAGE THE SENSITIVE ELECTRONICS.

10. GAS VALVE

To change the gas valve:

- 10.1 Remove the control assembly (see Section 8 above).
- 10.2 Release the gas inlet pipe (see Diagram 16).
- 10.3 Remove the thermocouple from the interrupter block.
- 10.4 Release the pilot pipe (see Diagram 16).
- 10.5 Release the gas outlet pipe (see Diagram 16).
- 10.6 Disconnect the stepper motor cable plug. Push in the latching clip on the plug to withdraw (see Diagram 16).



- 10.7 Remove the two nuts securing the valve to the support bracket and withdraw the valve.
- 10.8 The valve can now be freed.

11. MAGNETIC SAFETY VALVE

To replace the magnetic safety valve:

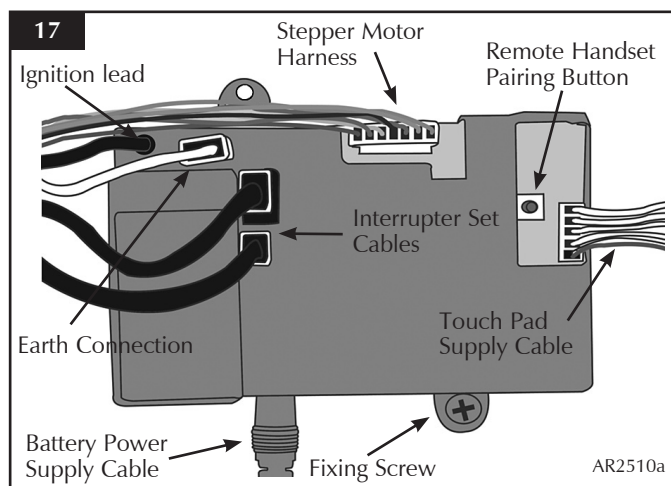
- 11.1 Undo the thermocouple from the interrupter block and remove the two thermo current cables.
- 11.2 Unscrew the interrupter block from the back of the valve.
- 11.3 Undo the silver magnetic valve retaining nut on the back of the valve.
- 11.4 Gently tap out the mag valve.
- 11.5 Replace with a new unit.

- 11.6 Reassemble in reverse order ensuring that the interrupter leads are connected correctly with the red tag lead nearest to the gas valve body.

12. CONTROL BOX

- 12.1 Disconnect from the control box:

1. Ignition lead
2. Thermo current cables
3. Earth connection
4. 7-way stepper motor plug, referring to Diagram 17 for details.



- 12.2 Prior to re-connection of the control box to the appliance, if there is no communication between the remote handset and the appliance, or if the handset is replaced, it will be necessary to pair the (new) handset with the appliance.
- 12.3 Ensure batteries are fitted and working in the handset.
- 12.4 Re-fit the touch pad control cable and the battery power supply cable to the control box.
- 12.5 Press the ON/OFF button for 40 seconds until the configuration screen appears.
- 12.6 When the configuration menu screen appears ensure the Pairing option is set to ON using the Change button.
- 12.7 Within 20 seconds press the yellow button on the control unit (see Diagram 17). This may be easier using a pencil, ball point pen or similar.
- 12.8 The control will emit a single beep to confirm the pairing operation and the remote handset will display a signal level in the top right hand corner.

If there are any difficulties achieving pairing ensure that the handset is set to Channel A. To do this follow the steps below:

SERVICING INSTRUCTIONS

REPLACING PARTS

- 12.9 Press the ON/OFF button for 40 seconds until the configuration screen appears.
- 12.10 Scroll down the menu using the (↓) button and select Channel A.
- 12.11 Ensure the Pairing option is set to ON using the Change button.
- 12.12 Disconnect the batteries from the control box and reconnect after 10 seconds.
- 12.13 The motor on the valve will turn. Once it has stopped repeatedly press and release the yellow button on the control box until the control box emits a single beep to confirm the pairing operation has been successful.

13. MAIN INJECTOR

To change the main injector:

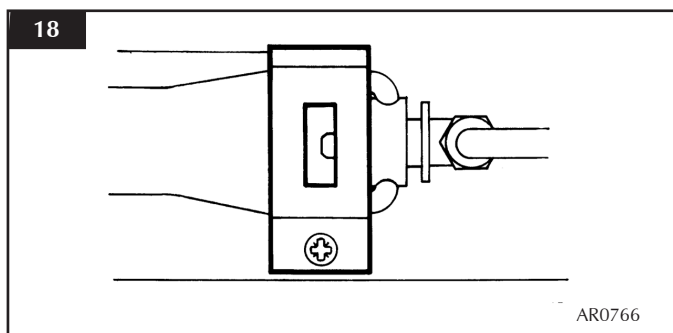
- 13.1 Undo the injector feed pipe.
- 13.2 Undo the lock nut from the injector.
- 13.3 Replace with the correct size injector.

NOTE: Take care not to damage or loose the venturi seal when removing the injector.

14. PRIMARY AERATION PLATE

NOT ALL MODELS HAVE AERATION PLATES. REFER TO TECHNICAL SPECIFICATIONS, PAGE 13.

- 14.1 Remove the burner module as described in Servicing, Section 2.
- 14.2 Remove the fixing screw and slide the plate off the venturi.
- 14.3 Replace with the correct size plate and secure with the screw. Ensure the lower edge of the plate is located over the venturi flange (see Diagram 18).



15. CHANGING BETWEEN GAS TYPES

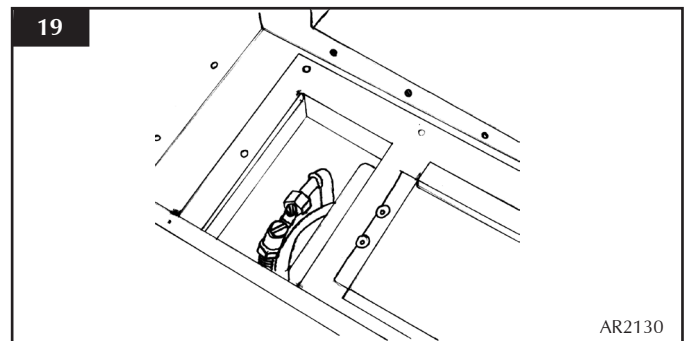
In order to change between gas types it will be necessary to change both the burner assembly and the complete control assembly.

A kit of parts is available. Contact your Gazco dealer for further information.

Always quote the Model number and Serial number when ordering any spare parts.

16. PRESSURE AND LEAK TESTING THE APPLIANCE

- 16.1 Follow Section 7, Main Control Assembly.
- 16.2 Access to the pressure test point can now be reached (see Diagram 19).



- 16.3 To leak test any gas joints on the appliance, the control assembly must first be undone and tilted backwards (see Section 7).
- 16.4 Because there is now no burner fitted to perform a leak test, place a manometer tube over the injector tip.
- 16.5 Light the appliance and spray any joints with leak detector fluid.
- 16.6 Tighten joints or replace as required.
- 16.7 To check the inlet working pressure, replace the control assembly and connect a manometer to the pressure test point as depicted in Diagram 19. Replace the burner and relight the appliance. Operate the appliance at highest flame setting and check that the inlet pressure is in accordance with specifications detailed on page 13.

SERVICING INSTRUCTIONS

REPLACING PARTS

17. SHORT SPARES LIST

COMPONENT	STUDIO 22	
	NG	LPG
PILOT INJECTOR	PI0069	PI0070
MAIN INJECTOR	IN0029	IN0051
BURNER ASSEMBLY	GZ5501	GZ5510
AERATION PLATE	G20 - GZ3269	G30 - N/A
		G31 - GZ2016
ELECTRODE	PI0075	
THERMOCOUPLE	PI0074	
MAG UNIT	GC0109	
IGNITION LEAD	EL0508	
GAS VALVE	GC0107	
CONTROL BOX	EL0506	EL0507
REMOTE CONTROL	EL0500	
INTERRUPTER BLOCK	GC0026	
THERMOCURRENT CABLE	EL0499	
TOUCH PAD	EL0501	
TOUCH PAD LEAD	EL0502	
BATTERY HOLDER	EL0503	
BATTERY HOLDER CABLE	EL0504	
REAR VERMICULITE PANE	CE0694	
SIDE VERMICULITE PANEL	CE0693	
BASE VERMICULITE PANEL	CE0695	
LOG SET	CE0720	

SERVICE RECORDS

1ST SERVICE

Date of Service:.....
Next Service Due:.....
Signed:.....
Dealer's Stamp/Gas Safe Registration Number

2ND SERVICE

Date of Service:.....
Next Service Due:.....
Signed:.....
Dealer's Stamp/Gas Safe Registration Number

3RD SERVICE

Date of Service:.....
Next Service Due:.....
Signed:.....
Dealer's Stamp/Gas Safe Registration Number

4TH SERVICE

Date of Service:.....
Next Service Due:.....
Signed:.....
Dealer's Stamp/Gas Safe Registration Number

5TH SERVICE

Date of Service:.....
Next Service Due:.....
Signed:.....
Dealer's Stamp/Gas Safe Registration Number

6TH SERVICE

Date of Service:.....
Next Service Due:.....
Signed:.....
Dealer's Stamp/Gas Safe Registration Number

7TH SERVICE

Date of Service:.....
Next Service Due:.....
Signed:.....
Dealer's Stamp/Gas Safe Registration Number

8TH SERVICE

Date of Service:.....
Next Due:.....
Signed:.....
Dealer's Stamp/Gas Safe Registration Number

9TH SERVICE

Date of Service:.....
Next Service Due:.....
Signed:.....
Dealer's Stamp/Gas Safe Registration Number

10TH SERVICE

Date of Service:.....
Next Service Due:.....
Signed:.....
Dealer's Stamp/Gas Safe Registration Number

Gazco Limited, Osprey Road, Sowton Industrial Estate, Exeter, Devon, England EX2 7JG
Tel: (01392) 261999 Fax: (01392) 444148 E-mail: info@gazco.com

A member of the Stovax Group