



# *Sorrento Stone Surrounds*

*For use with Riva 800, Riva 1050  
& Studio 22*

## **Installation and Maintenance Instructions**

**For Use in Great Britain and Republic of Ireland (GB & IE)**

This product is suitable for use in the stated countries. To install the product in other countries it is essential to obtain translated instructions and in some cases the product may require modification. Contact Gazco to obtain further information.

### **IMPORTANT**

**Please read the instructions carefully before installing the surround.  
Keep them safe for future maintenance.**

# INSTALLER / SUPPLIER DETAILS

To assist us in any Guarantee claim please complete the following information: -

## Gazco dealer the appliance was purchased from

Name:.....

Address: .....

.....

Telephone number:.....

Date installed: .....

Model description: .....

## Installation Engineer

Name:.....

Address: .....

.....

Telephone number:.....

## GENERAL

**Before installation of this product please read these instructions fully.**

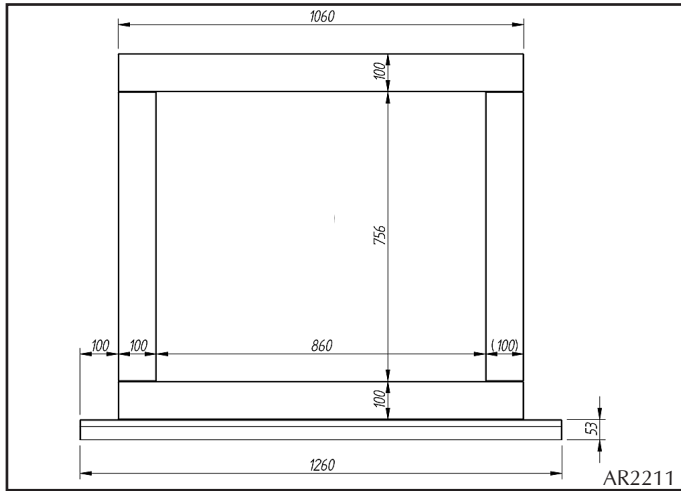
It is very important to understand the requirements of the UK Building Regulations (England and Wales – Document J / Scotland - Part F), along with any local regulations, and working practices that may apply. Should any conflict occur between these instructions and these regulations then the regulations shall apply.

Your local Building Control Office would be happy to advise should questions arise, regarding the requirements of the regulations.

**Caution** - these materials are heavy. It is recommended to use suitable lifting equipment when moving the packed surround and two people to lift each part during unpacking and assembly.

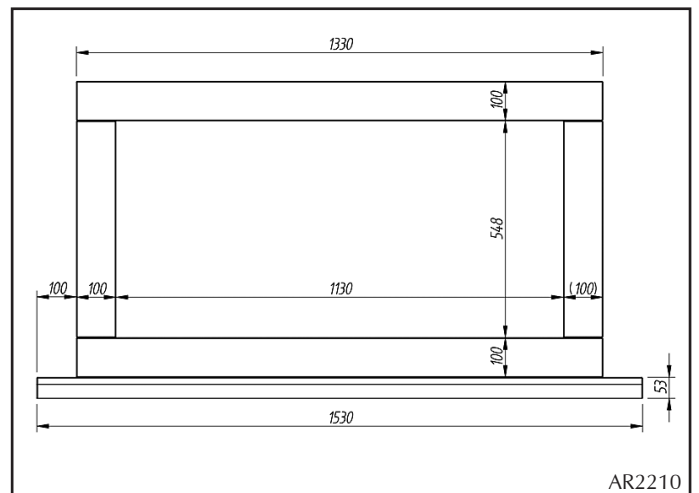
# COVERING THE FOLLOWING SURROUNDS

## RIVA TWO 800 SORRENTO

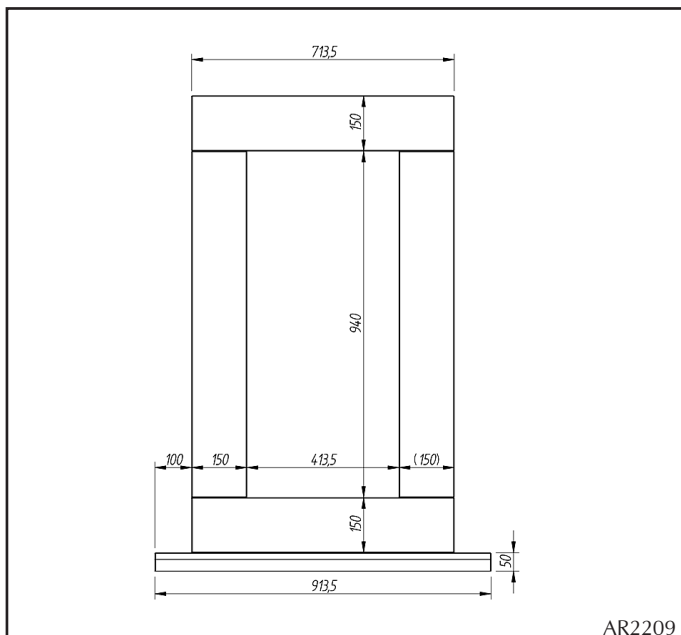


All versions are available in:  
GRAPHITE LIMESTONE  
NATURAL LIMESTONE

## RIVA TWO 1050 SORRENTO



## STUDIO 22 SORRENTO



# INSTALLATION INSTRUCTIONS

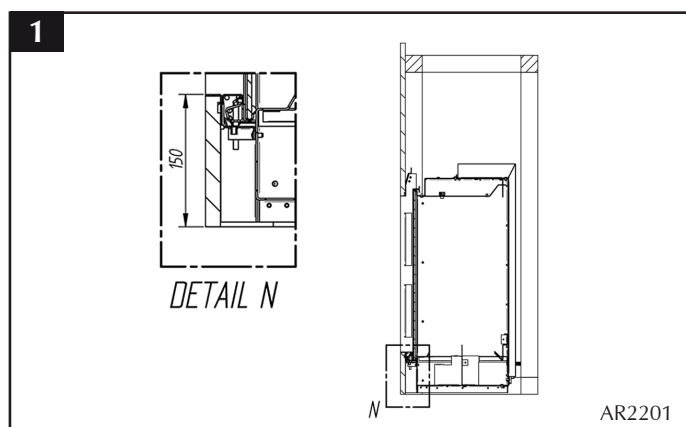
## 1. GENERAL

- 1.1 **Caution** - these materials are heavy. Use suitable lifting equipment when moving the packed surround and two people to lift each part during unpacking and assembly.
- 1.2 It is important to refer to the installation section of the Gas appliance Instruction manual before proceeding with the installation of the surround.

**IMPORTANT NOTICE:** When handling the stone surrounds, take care to lift carefully and hold in the middle of the pieces to avoid putting unnecessary strain on the joins prior to installation.

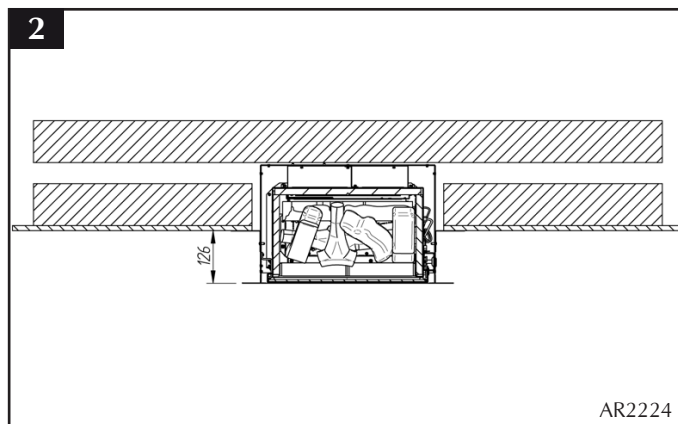
## 2. RIVA TWO 800 & 1050 - GENERAL REQUIREMENTS

- 2.1 When fitting the Sorrento Stone Surround to either the Riva Two 800 or Riva Two 1050 it is essential to follow the 'Edge' installation method in the appliance Installation instructions. This will leave the front foremost edge of the appliance flush with the front face of the finished fireplace enclosure.
- 2.2 Once completed, follow Section 4 of this manual to fit the Sorrento Stone Surround to the front of the fireplace enclosure. It is essential to ensure that a height of 150mm from the finished floor to the bottom edge of the Riva appliance viewing area is maintained, Diagram 1



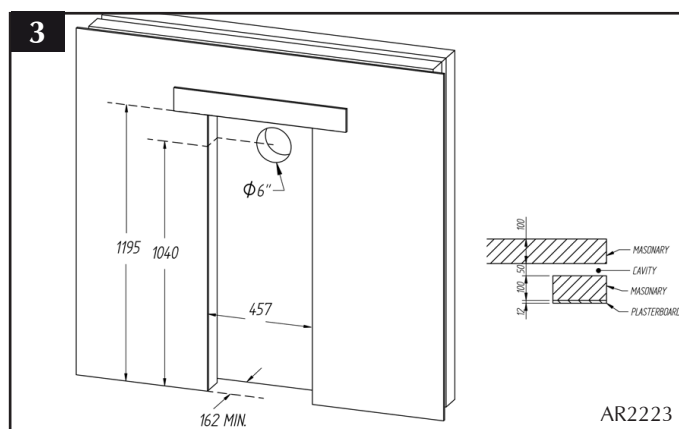
## 3. STUDIO 22 - GENERAL REQUIREMENTS

- 3.1 When fitting the Sorrento Stone Surround to the Studio 22 it is essential to read these installation instructions in conjunction with the appliance Installation instructions.
- 3.2 In order to use this surround a distance of 126mm must be maintained between the front face of the finished wall and the front flange of the appliance, Diagram 2



3.3 This can be achieved by either:

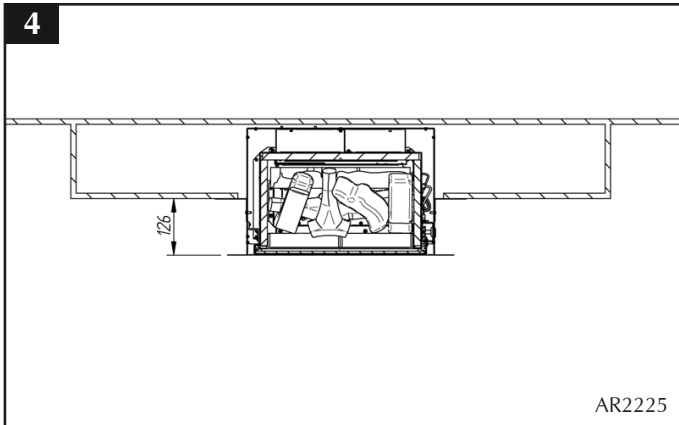
- 3.3.1 Removing the inner course of the brickwork of a twin skin cavity wall, this will allow the appliance to be recessed into the cavity allowing installation onto an external wall, which will require no further finishing or slips when the Sorrento Stone Surround is used. This method will necessitate using the rear flue terminal which will exit straight through an external wall. It will also require alteration to the building and a suitable lintel must be used to support the remaining upper wall, Diagram 3. Any alteration must be in accordance with the building regulations and may require local council buildings approval before proceeding.



If cavity wall insulation has been installed, it will also be necessary to take adequate structural precautions to prevent the insulation from coming into contact with the appliance.

- 3.3.2 The appliance can be installed against a suitable wall (ensuring all clearances to combustible materials listed in the Installation Instructions are observed). It will then be necessary to construct a false slimline chimney breast to house the remaining appliance depth, Diagram 4

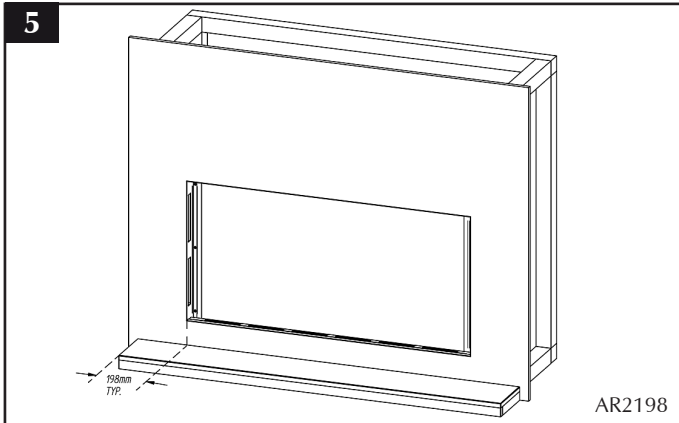
# INSTALLATION INSTRUCTIONS



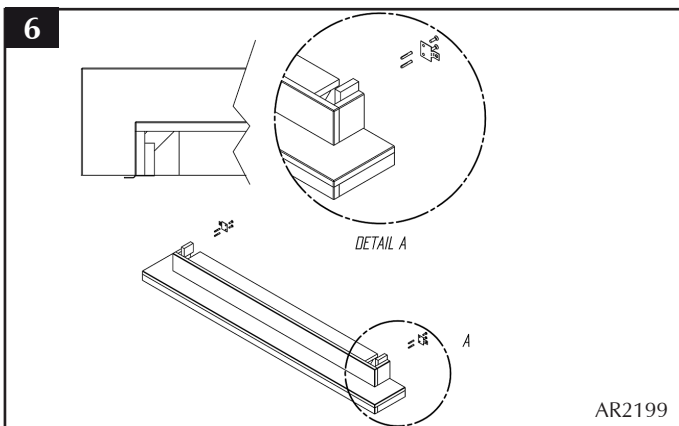
- 3.4 It is essential that the appliance is spaced off the finished floor level by 10mm. This will ensure correct alignment of the appliance with the opening in the Sorrento Stone Surround.
- 3.5 Proceed to Section 5 of this manual to install the Sorrento Stone Surround to the front of the fireplace.

## 4. INSTALLATION - RIVA TWO 800 & 1050

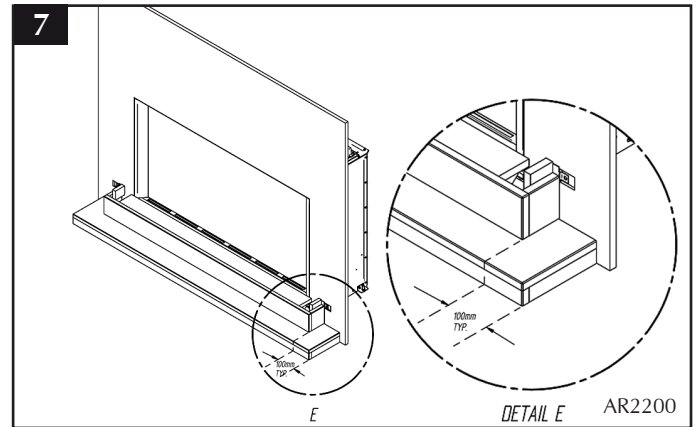
- 4.1 Position the hearth in front of the appliance, ensure the distance at either end is correct for even finish, Diagram 5



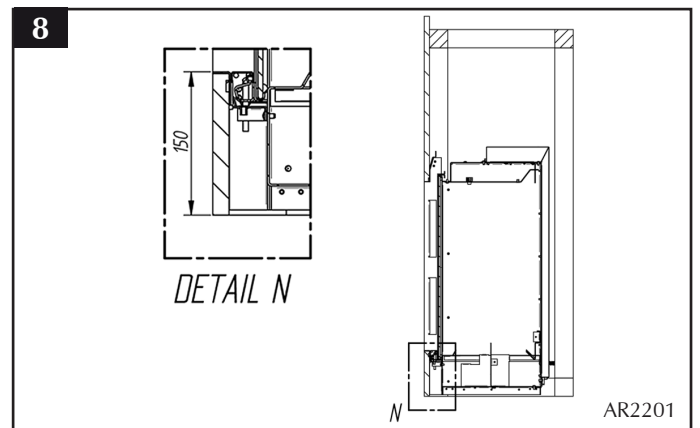
- 4.2 Attach the retaining brackets to either side of the base section, Diagram 6



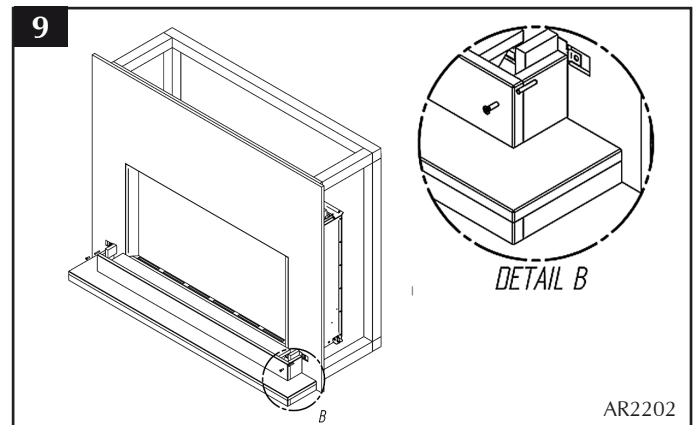
- 4.3 Position the base section centrally on the hearth, Diagram 7



- 4.4 Ensure that there is a total distance from the floor to the top of the base section of 153mm, Diagram 8  
Use the adjustable feet on the base of the appliance to adjust the height if required.

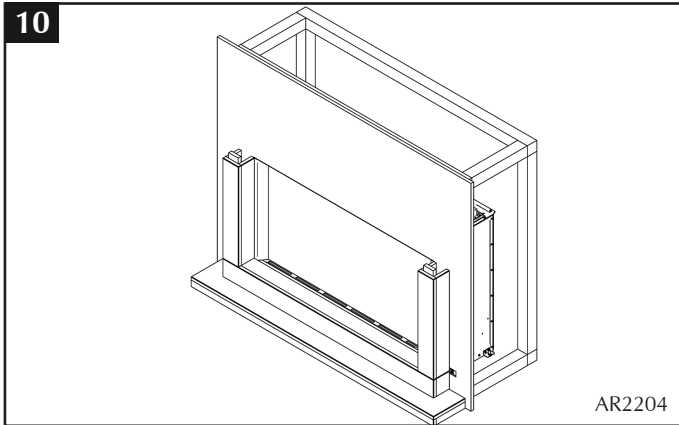


- 4.5 Secure the base section to the fireplace surround using the brackets, Diagram 9  
**Note: The brackets should be recessed into the wall and the wall made good to ensure a smooth finish.**

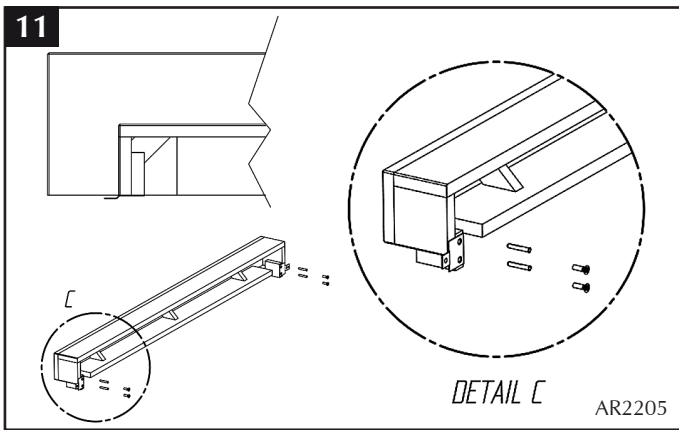


- 4.6 Attach the side slips by slotting into the cut outs on the base, Diagram 10

# INSTALLATION INSTRUCTIONS

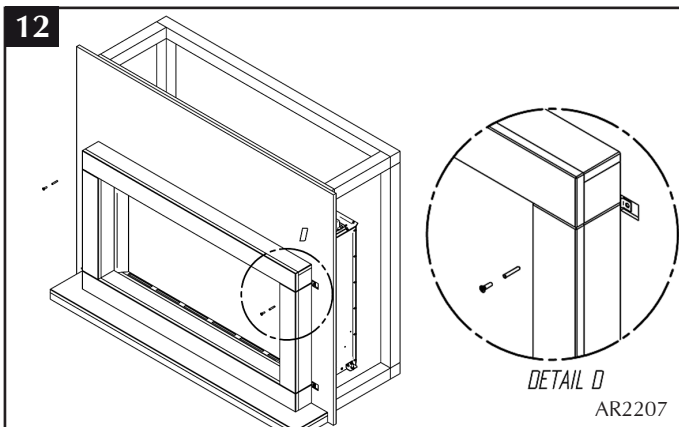


4.7 Attach the retaining brackets to either side of the top section, Diagram 11

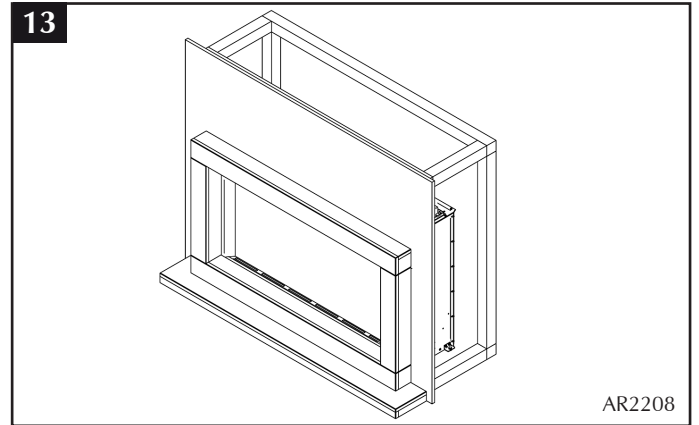


4.8 Locate the top section on the side slips, secure the top section to the fireplace surround using the brackets, Diagram 12

**Note: The brackets should be recessed into the wall and the wall made good to ensure a smooth finish.**

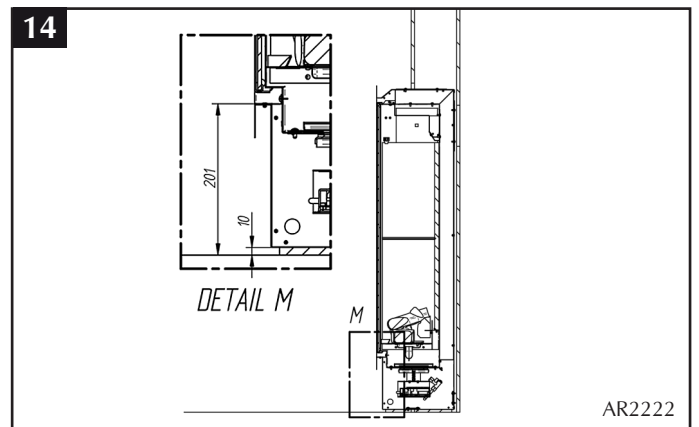


4.9 Cover up the brackets by making good the finish around the fireplace, Diagram 13

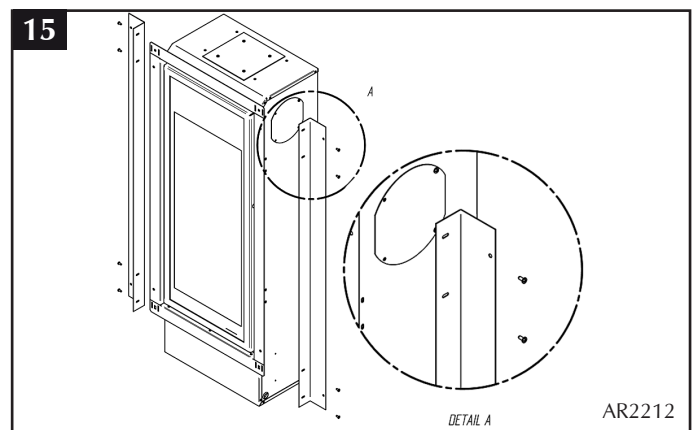


## 5. INSTALLATION - STUDIO 22

5.1 This appliance cannot be installed directly onto the hearth or floor. Before beginning installation of the surround ensure the appliance has been raised 10mm on non-combustible material, Diagram 14



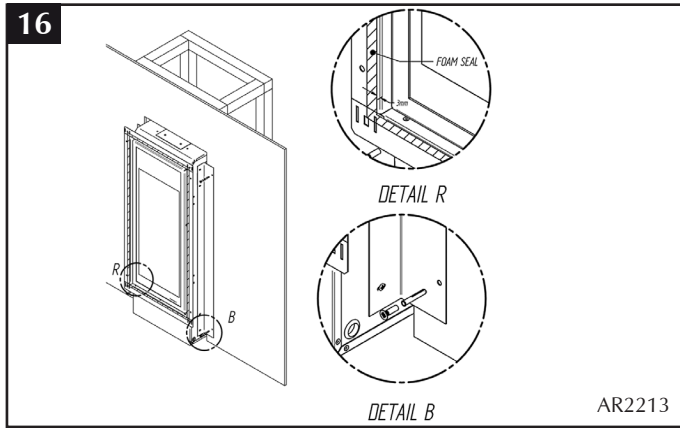
5.2 Attach the side brackets to the appliance. Unscrew the top screws (Detail A) in the plate to secure the top of the brackets. Use the screws provided with the kit to attach the bottom of the brackets., Diagram 15.



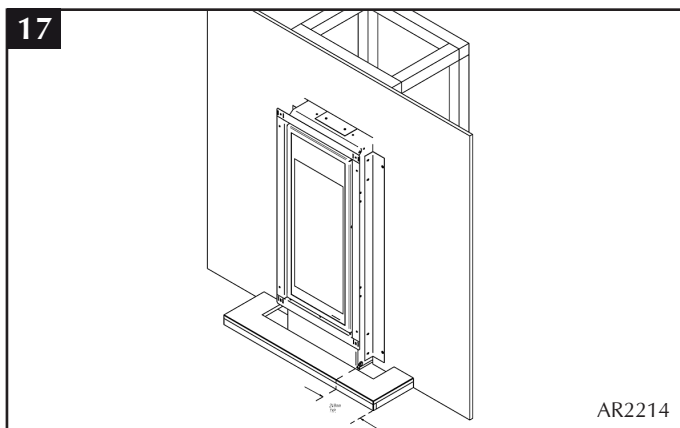
5.3 Attach the retaining brackets to the wall. Use the rawl plugs provided for masonry work, Diagram 16

# INSTALLATION INSTRUCTIONS

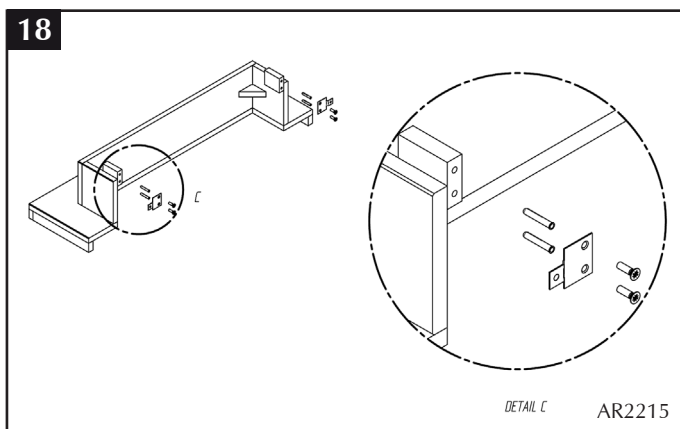
Locate the self adhesive foam seal around the outer flange of the appliance to sandwich the Sorrento Stone Surround, Detail R



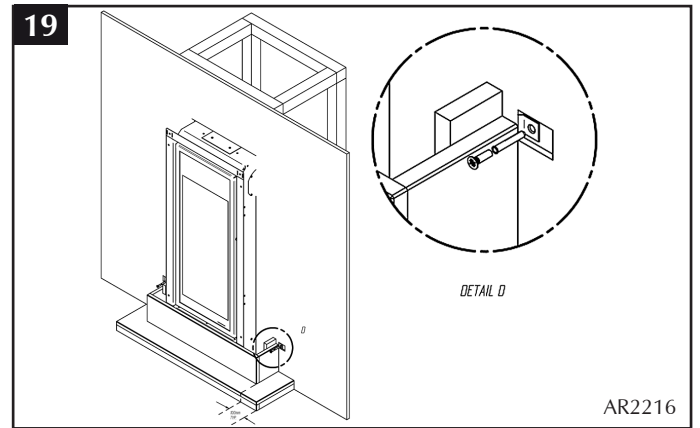
5.4 Position the base section centrally on the hearth, Diagram 17



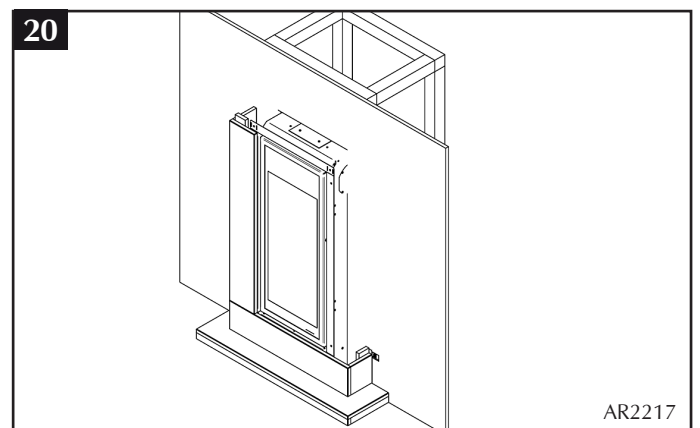
5.5 Attach the retaining brackets to either side of the base section, Diagram 18



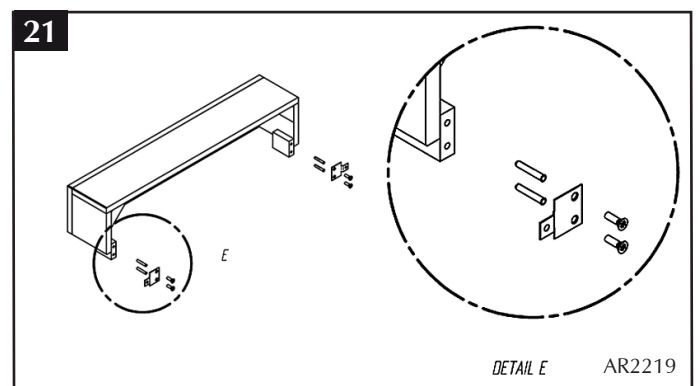
5.6 Secure the base section to the fireplace surround using the brackets, Diagram 19



5.7 Attach the side slips by slotting into the cut outs on the base, Diagram 20

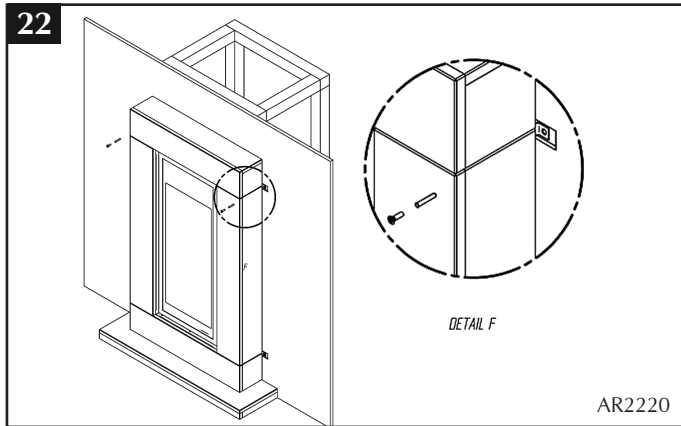


5.8 Attach the retaining brackets to either side of the top section, Diagram 21



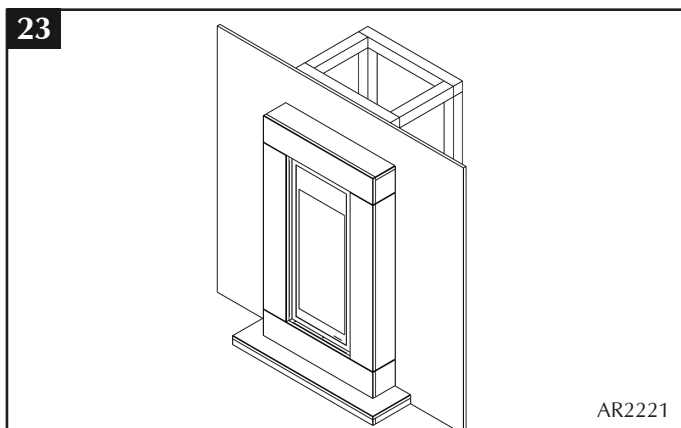
# INSTALLATION INSTRUCTIONS

- 5.9 Locate the top section on the slips, secure the top section to the fireplace surround using the brackets, Diagram 22



- 5.10 Cover up the brackets by making good the finish around the fireplace, Diagram 23

**Note: The brackets should be recessed into the wall and the wall made good to ensure a smooth finish.**



## 6. STONE CLEANING

- 6.1 It is recommended that a damp, soft cloth should be used to clean the surface of the stone surround. Alternatively, Sugar Soap can be used to remove marks from the surround and this is available in most DIY outlets. Never use any other cleaning agent as this may result in marking of the surround or deposits being left on the surface leading to discolouration.