

Chimney Renovation Kit

For use with the Riva2 800 & 1050

IMPORTANT

Balanced flues for stoves or fires are different to Conventional flues because the appliance is a sealed unit, drawing air for combustion from outside and discharging the products of combustion through the same external flue terminal. The flue has an outer tube to bring in the air and an inner tube to expel the gases.

The Riva 2 has a top exit only and must use one of the flue systems listed.

No additional ventilation is required with a Balanced flue.

The Renovation kit creates this effect by utilising the existing chimney to draw external air into the appliance without the use of a sealed outer tube. This product range offers a flexible solution for all flue applications.

Consult a qualified installer for advice on installation. This flue system must be installed by a Gas Safe registered engineer.

NOTE: Most configurations of flue require a restrictor to be fitted.
Refer to each appliance's *Technical Specifications* given in the *Installation Instructions*.

COVERING THE FOLLOWING MODELS:

Riva 2 800 Balanced flue:

Riva 2 1050 Balanced flue:

134-031

134-225

134-476

134-568

APPLIANCE COMMISSIONING CHECKLIST

PAGE

3

RENOVATION KIT PARTS

4

INSTALLATION INSTRUCTIONS

5

Site Requirements

5

Installation

7

APPLIANCE COMMISSIONING CHECKLIST

IMPORTANT NOTICE

Explain the operation of the appliance to the end user, hand the completed instructions to them for safe keeping, as the information will be required when making any guaranteed claims.

FLUE CHECK	PASS	FAIL
1. Flue is correct for appliance		
2. Flue flow test N/A		
3. Spillage test N/A		
GAS CHECK		
1. Gas soundness & let by test		
2. Standing pressure test	mb	
3. Appliance working pressure (on High Setting) NB All other gas appliances must be operating on full	mb	
4. Gas rate	m ³ /h	
5. Does ventilation meet appliance requirements N/A		

DEALER AND INSTALLER INFORMATION

Dealer

.....

.....

Contact No.

Date of Purchase.....

Model No.....

Serial No.....

Gas Type.....

Installation Company

.....

.....

Engineer

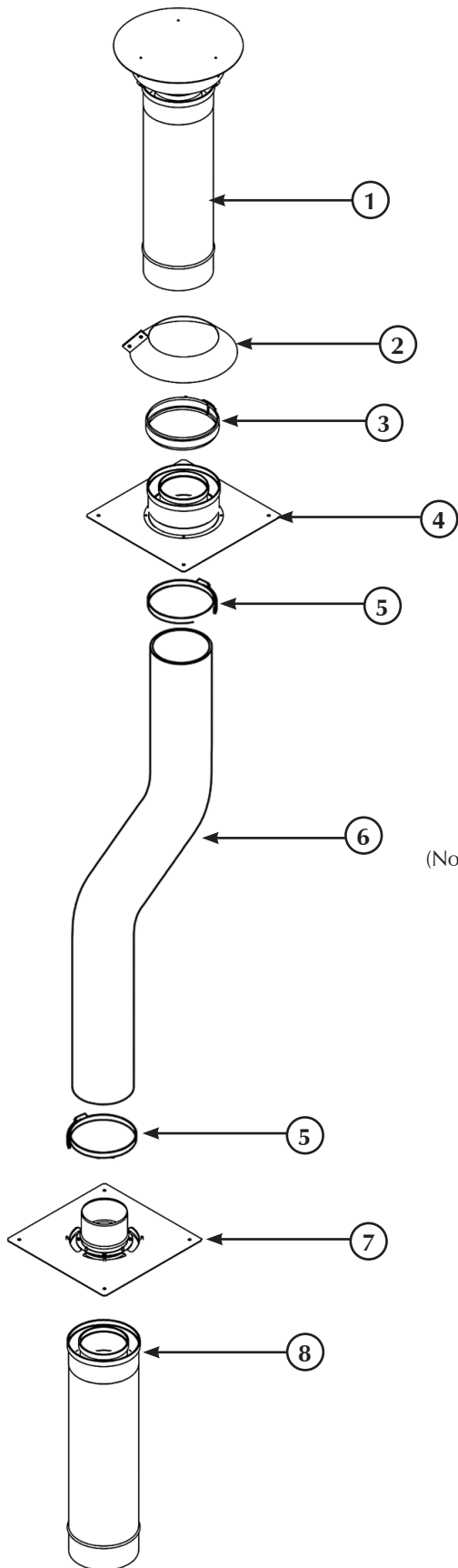
Contact No.....

Gas Safe Reg No.

Date of Installation

This product is guaranteed for 2 years from the date of installation, as set out in the terms and conditions of sale between Gazco and your local Gazco dealer. **This guarantee will be invalid, to the extent permitted by law, if the above Appliance Commissioning Checklist is not fully completed by the installer and available for inspection by a Gazco engineer.** The guarantee will only be valid during the second year, to the extent permitted by law, if the annual service recommended in the Instructions for Use has been completed by a Gas Safe registered engineer, and a copy of the service visit report is available for inspection by a Gazco engineer.

RENOVATION KIT PARTS



Flexible Flue Liner
4" (102mm) Diameter
 (Not supplied with kit) available
 from your local retailer.

Kit Number: 999-668

Diagram Number	Description	Part Number	Quantity
1	Flue Terminal	GZ9022	1
2	Storm Collar	GZ9133	1
3	Clamp - Flue Pipe	GZ9.24	1
4	Mounting Plate & Spigot Assembly (Upper)	GZ9026	1
5	Jubilee Clip	-	2
6	Flexible Flue Liner	N/A	1
7	Mounting Plate & Spigot Assembly (Lower)	GZ9027	1
8	Adjustable Flue Pipe	999-062	1

INSTALLATION INSTRUCTIONS

SITE REQUIREMENTS

1. GENERAL SAFETY NOTES

- 1.1 Always work in accordance with the current health and safety requirements and any regional laws.
- 1.2 Take precautions when working at high levels – use scaffolding, access towers etc. where applicable.
- 1.3 The ends of flue liners can be extremely sharp – always wear suitable gloves.
- 1.4 Sweeping chimneys/flue systems can cause irritation to skin eyes and respiratory system – wear a dust mask, goggles and suitable protective clothing.

2. FLUE AND CHIMNEY REQUIREMENTS

You must adhere to the following:

- 2.1 All flues must be securely fixed and fire precautions followed in accordance with local and national codes of practice.
- 2.4 A restrictor may be required. Refer to **Restrictor Requirements**, Diagram 1.
- 2.3 For minimum and maximum flue dimensions see Diagram 1 and charts below
 - Allow enough room above the appliance to assemble the flue on top
 - Support the opening of a masonry installation with a lintel.

1

Maximum Chimney height	10m (32' 10")
Minimum Chimney Height	3m (9' 10")
Maximum Chimney Dimension	305mm (12")
Minimum Chimney Dimension	178mm (7")

RESTRICTOR REQUIREMENT	
TOP EXIT - VERTICAL ONLY INCLUDING OFFSET	
RIVA2 BF 800 and 1050	
Vertical Flue Height	Restrictor Size
3000 - 4990mm	60mm Ø
5000mm - 10,000mm	52mm Ø

INSTALLATION

GENERAL

Before fitting the liner check that the existing chimney is sound, free from obstruction, clean and in accordance with Gas Safety regulations, Building Regulations and Building Standards Regulations. It should also be in accordance with the relevant recommendations of the following current British Codes of Practice & Standards:

BS.5440: Parts 1 Flues & Part 2 Air Supply.

BS.5871: Part 2 Installation of Gas Fires, Convector Heaters, Fire/Back Boilers.

BS.6461: Codes of Practice for factory made insulated chimneys for internal application.

Installation and servicing must only be carried out by a competent person whose name appears on the Gas Safe register. To ensure the engineer is registered with Gas Safe they should possess an ID Card carrying the following logo:



IMPORTANT: It is essential that the entire length of the masonry chimney is swept and a smoke test is carried out prior to installation to check the integrity is sound. Any defect in the chimney breast must be repaired prior to installation.

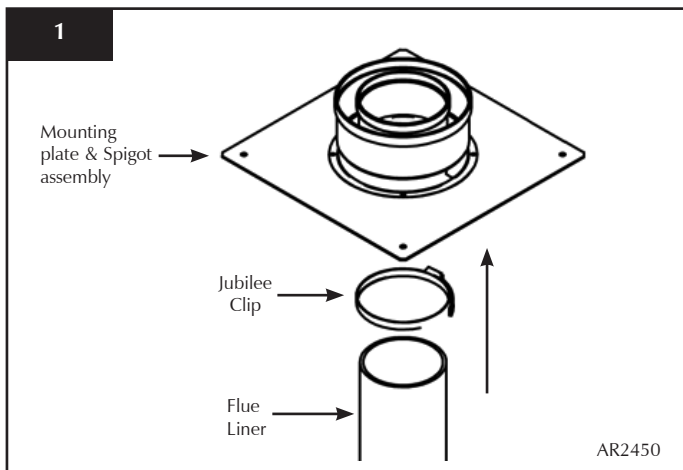
1. APPLIANCE INSTALLATION

- 1.1 Install the appliance after the flue system has been correctly assembled. For individual appliance installation requirements see the relevant instruction manual.

2. FITTING THE TERMINAL

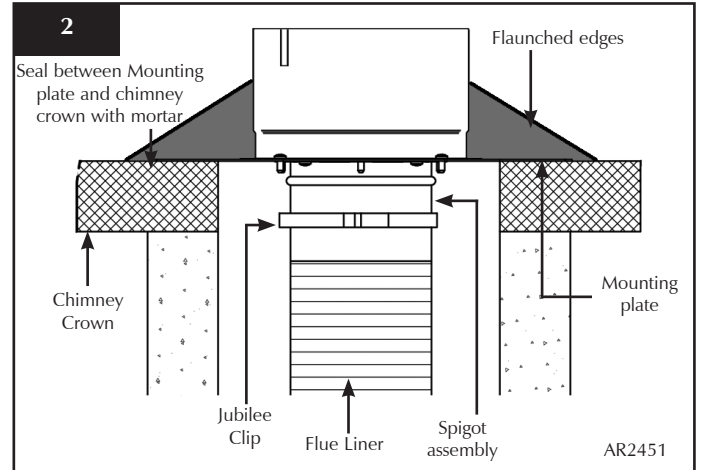
The liner must be installed in accordance with the manufacturers instructions.

- 2.1 Slide the Jubilee Clip over the flexible flue liner. Attach the flue liner to the top Mounting plate and Spigot assembly, Diagram 1.

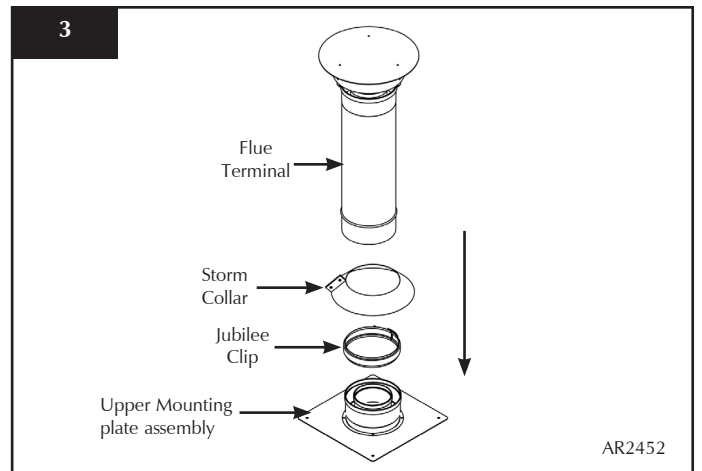


Tighten the Jubilee Clip so that the liner is held securely to the spigot.

- 2.2 Feed the liner down the chimney and secure the Top Mounting plate on a bed of mortar on top of the chimney breast, Diagram 2

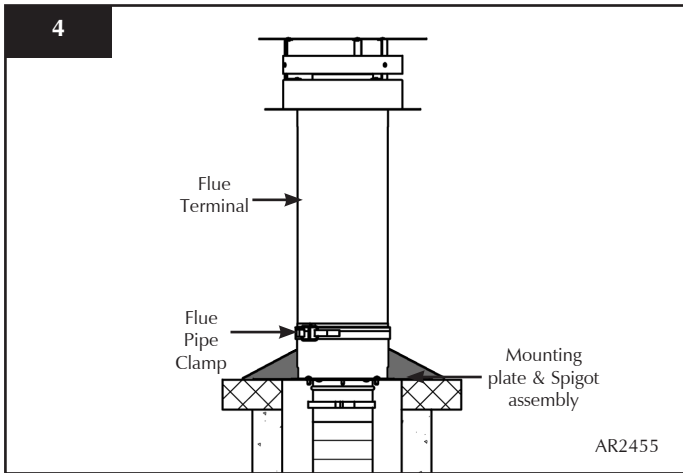


- 2.3 Secure the Mounting plate to the chimney crown with four screws and flash the edges of the plate with additional mortar to create a smooth run off that ensures the rain water will not collect around the spigot.
- 2.4 Slide the Flue pipe Clamp onto the Flue pipe Terminal and fit the flue terminal into the spigot, Diagram 3.

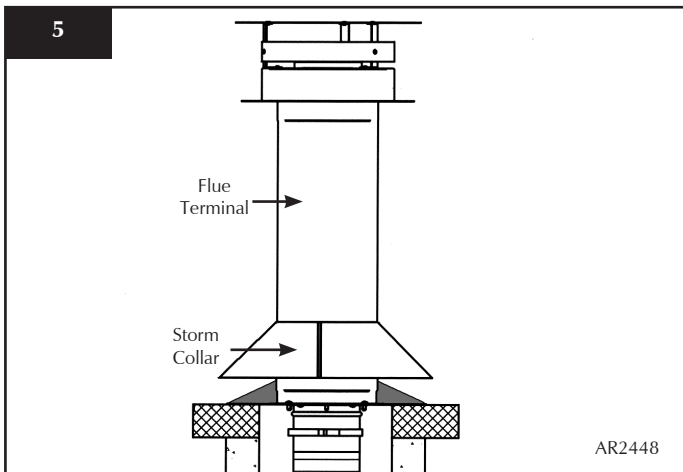


- 2.5 Tighten the Flue Pipe Clamp to secure the Flue Terminal in place, Diagram 4.

INSTALLATION



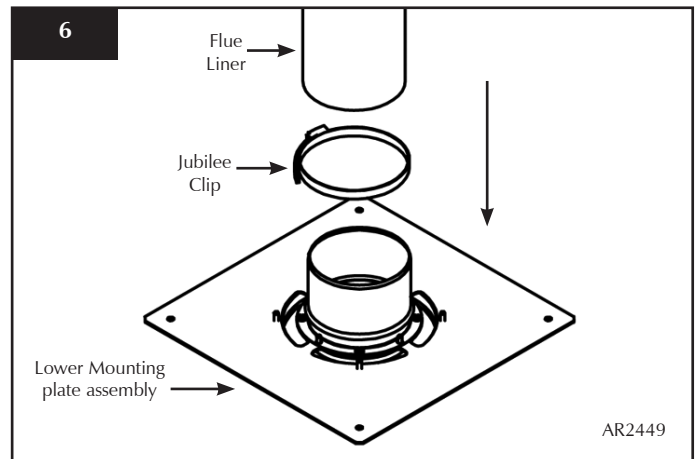
2.6 Fit the storm collar around the flue terminal. Slide the storm collar down until it rests on top of the flue pipe clamp. Secure the storm collar in place by fitting and securely fastening the two fixing bolts – Diagram 5.



3. FITTING THE LOWER MOUNTING PLATE

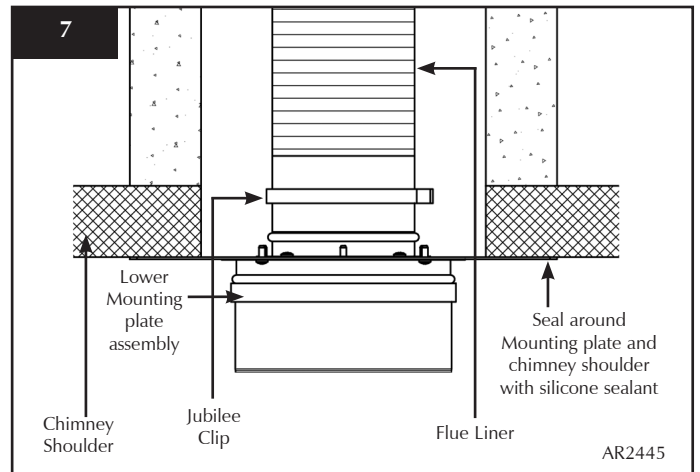
Once the Terminal has been attached the flue liner must be secured to the lower Mounting Plate at the bottom of the chimney.

3.1 Trim the flue liner to the required length. Slide the Jubilee Clip over the flexible flue liner. Attach the flue liner to the lower mounting plate assembly, Diagram 6.



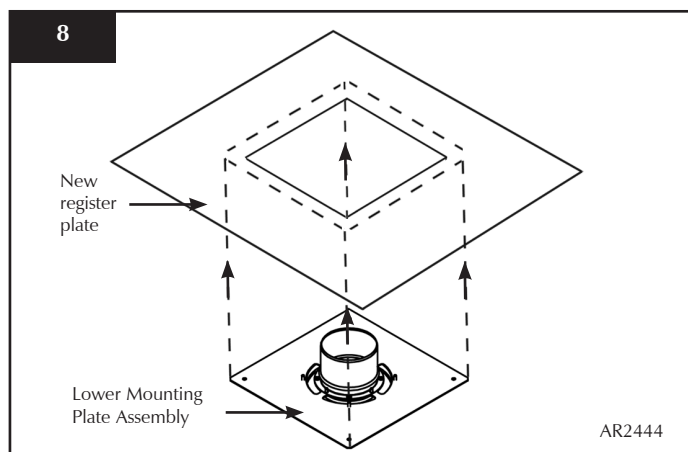
Tighten the Jubilee Clip so that the liner is held securely to the spigot.

3.2 Secure the Lower Mounting plate to the chimney breast with four screws and finish around the edges of the plate with a silicone based sealant to ensure that the installation is air tight, Diagram 7.



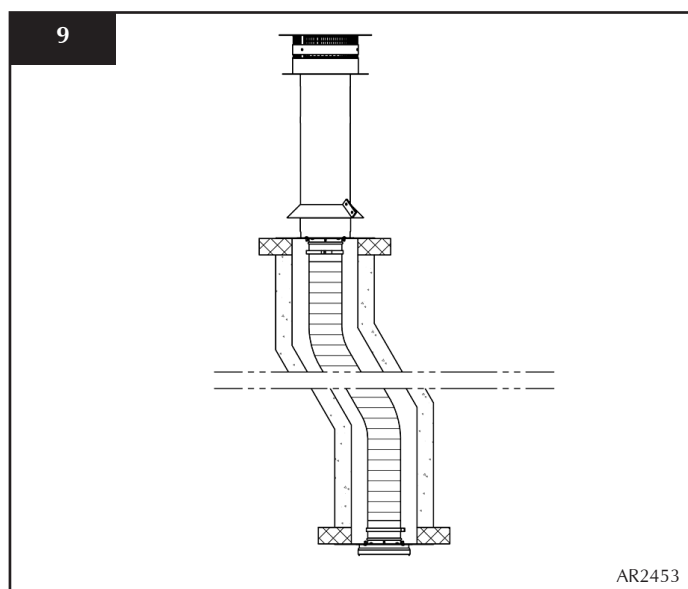
3.3 The bottom of the chimney may require a larger register plate. This can be achieved by cutting a 175mm (7") diameter hole in the register plate and securely sealing the lower mounting plate assembly onto the register plate, Diagram 8.

INSTALLATION



Make sure that all air ducts are left unobstructed.

3.4 The flue system should be ready for the appliance to be installed, Diagram 9.



4. FITTING THE TOP COVER PLATES

When fitting the Riva 2 with a renovation kit extra top cover plates must be fixed to the appliance top heat shield before installation.

There are four extra cover plates that need to be fitted to the existing appliance heat shield - 2 at the front and 2 at the rear.

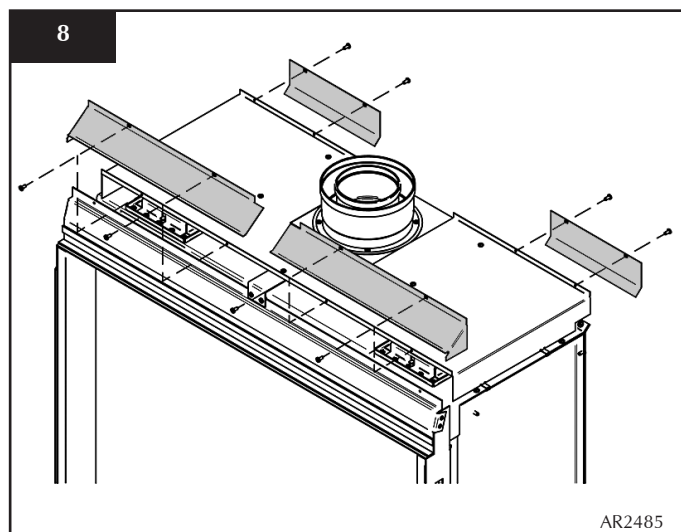
The 2 front cover plates are made to fit a specific side to aid installation but the 2 rear cover plates are designed to fit on either side.

Front Cover Plates

It is important to ensure that the cover plate engages under the top support bar on the front of the fire (this is coloured Black). The folded end returns should be to the outside of the appliance.

Rear Cover Plates

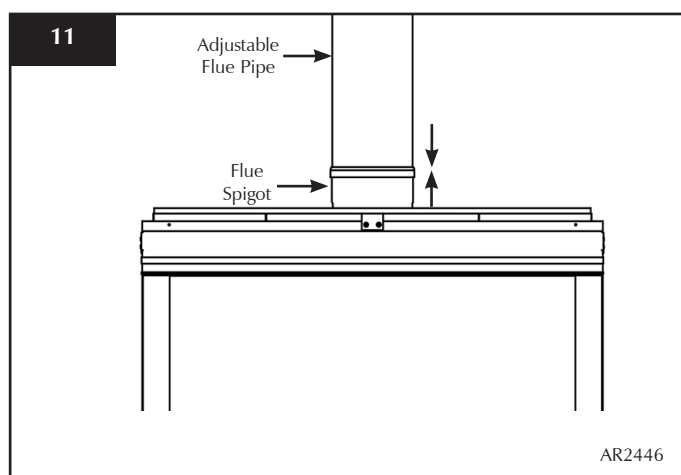
The fold in the cover plate should be orientated so that it bends towards the back plate of the appliance.



5. FITTING THE ADJUSTABLE FLUE PIPE

Position the appliance on the hearth. Ensure the top of the appliance spigot lines up directly under the Lower Mounting Plate assembly spigot.

5.1 Insert the adjustable flue pipe into the appliance spigot making sure that it is pushed all the way into the spigot, Diagram 11.



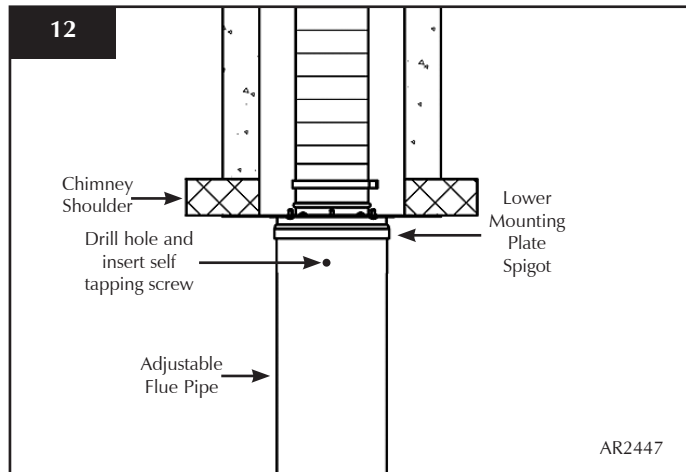
5.2 Extend the adjustable flue pipe to connect the appliance to the lower mounting plate assembly. The minimum useable length of the adjustable flue pipe section is 300mm, the maximum is 490mm. If necessary use a solid piece of Gazco Balanced Flue pipe to extend the flue connection.

It is important to check that the adjustable flue pipe is engaged fully with the lower mounting plate spigot and the appliance spigot.

INSTALLATION

- 5.3 The adjustable flue pipe section must be securely fastened to the lower mounting plate spigot so that there is no chance of the flue pipe becoming disconnected from the lower mounting plate.

The recommended method of achieving this is to drill a small hole in the top of the adjustable flue pipe into the spigot of the lower mounting plate. A self-tapping screw can then be inserted to secure the two components together, Diagram 12.



- 5.4 Continue the installation as detailed in the appliance instruction book, ensuring the gas tests and safety checks are carried out in full.

