



*E-Studio*TM & *E-Box*TM *Balanced Flue* Instructions for Use, Installation and Servicing

For use in GB, IE (Great Britain & Republic of Ireland)

IMPORTANT

This product contains a Heat resistant glass panel. This panel should be checked during Installation and at each servicing interval. If any damage is observed on the front face of the glass panel (scratches, scores, cracks or other surface defects), the glass panel must be replaced and the appliance must not be used until a replacement is installed. Under no circumstances should the appliance be used if any damage is observed, the glass panel is removed or broken.

Parts of this appliance will become hot during operation; it is therefore recommended that a suitable guard should be used for protection of young children, the elderly or infirm.

This appliance is guaranteed for 2 years (subject to the conditions on page 3 of this Instruction manual). The second year of the guarantee will only be valid if the annual service recommended in this Instruction manual has been completed by a GasSafe registered engineer, and a copy of the service report is available for inspection by a Gazco engineer.

These Instructions must be left with the appliance for future reference and for consultation when servicing the appliance. Please make the customer aware of the correct operation of the appliance before leaving these instructions with them.

The commissioning sheet found on Page 3 of this Instruction manual must be completed by the Installer prior to leaving the premises.

CONTENTS

Covering the following models:

E-BOX:

COAL NG: 112-360

PEBBLE NG: 112-196

COAL LPG: 112-617

PEBBLE LPG: 112-540

E-STUDIO:

NG: 112-236

LPG: 112-732

APPLIANCE COMMISSIONING CHECKLIST	3
USER INSTRUCTIONS	4
INSTALLATION INSTRUCTIONS	12
Technical Specifications	12
Site Requirements	15
Installation	17
Commissioning	25
SERVICING INSTRUCTIONS	26
Servicing Requirements	26
Fault Finding	27
How to replace parts	29
Basic spare parts list	35
Service Record	36

APPLIANCE COMMISSIONING CHECKLIST

IMPORTANT NOTICE

Explain the operation of the appliance to the end user, hand the completed instructions to them for safe keeping, as the information will be required when making any guaranteed claims.

FLUE CHECK	PASS	FAIL
1. Flue is correct for appliance		
2. Flue flow test	N/A	
3. Spillage test	N/A	
GAS CHECK		
1. Gas soundness & let by test		
2. Standing pressure test	mb	
3. Appliance working pressure (on High Setting) N.B. All other gas appliance must be operating on full	mb	
4. Gas rate	m ³ /h	
5. Does ventilation meet the appliance requirements	N/A	

RETAILER AND INSTALLER INFORMATION

Retailer	Installation Company
.....
.....
Contact No.....	Engineer
Date of Purchase.....	Contact No.....
Model No.....	Gas Safe Reg No.....
Serial No.....	Date of Installation
Gas Type	

This product is guaranteed for 2 years from the date of installation, as set out in the terms and conditions of sale between Gazco and your local Gazco retailer. **This guarantee will be invalid, to the extent permitted by law, if the above Appliance Commissioning Checklist is not fully completed by the installer and available for inspection by a Gazco engineer.** The guarantee will only be valid during the second year, to the extent permitted by law, if the annual service recommended in the Instructions for Use has been completed by a Gas Safe registered engineer, and a copy of the service visit report is available for inspection by a Gazco engineer.

USER INSTRUCTIONS

1. GENERAL

In the event of a gas escape or if you can smell gas, please take the following steps:

- Immediately turn off the gas supply at the meter/emergency control valve.
- Extinguish all sources of ignition.
- Do not smoke.
- Do not operate any electrical light or power switches (On or Off).
- Ventilate the building(s) by opening doors and windows.
- Ensure access to the premises can be made.

Please report the incident immediately to the National Gas Emergency Service Call Centre on 0800 111 999 (England, Scotland and Wales) 0800 002 001 (N. Ireland) or in the case of LPG, the gas supplier whose details can be found on the bulk storage vessel or cylinder.

The gas supply must not be used until remedial action has been taken to correct the defect and the installation has been recommissioned by a competent person.

- 1.1 Installation and servicing must only be carried out by a competent person whose name appears on the Gas Safe register. To ensure the engineer is registered with Gas Safe they should possess an ID Card carrying the following logo:



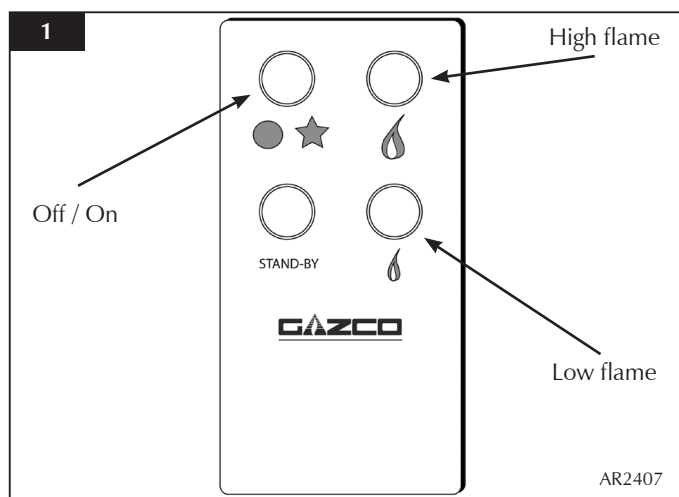
- 1.2 In all correspondence, please quote the appliance type and serial number, which can be found on the data badge located inside the appliance underneath the burner unit.
- 1.3 **Do not place curtains above the fire:**
You must have 300mm (1') clearance between the fire and any curtains at either side.
- 1.4 If any cracks appear in the glass panel do not use the appliance until the panel has been replaced.
- 1.5 In the unlikely event the appliance is receiving interference from other electronic devices, the handset/control box can be reprogrammed. Please consult your retailer if you think this may be the case.
- 1.6 If, for any reason, the flue has to be removed from the appliance, the seals must be replaced in the inner spigot.
- 1.7 Do not obstruct the flue terminal in any way, i.e. by planting flowers, trees shrubs etc in the near vicinity, or by leaning objects up against the terminal guard.

- 1.8 Do not use a garden sprinkler or hose near the terminal.
- 1.9 This product is guaranteed for 2 years from the date of installation, as set out in the terms and conditions of sale between Gazco and your local Gazco retailer. Please consult with your local Gazco retailer if you have any questions. In all correspondence always quote the Model Number and Serial Number.

2A. LIGHTING THE APPLIANCE - MANUAL CONTROL

The appliance can be operated manually or by remote control. A beep can be heard each time a button is pressed on either control. To operate the appliance manually:

- 2.1 The manual control touch pad is located on the front of the appliance. To access the touch pad please refer to the separate frame instructions (supplied with frame). The orientation of the control pad in Diagram 1 has been altered for ease of viewing.
- 2.2 One button turns the appliance both On and Off (see Diagram 1). Press and hold for approximately 3 seconds to ignite the fire. The pilot will light and the fire will ignite after approximately 10 seconds. The fire will be automatically set to high flame.
- 2.3 To switch from high flame to low flame press the low flame button once (see Diagram 1).
- 2.4 To switch directly back to high flame press the high flame button once (see Diagram 1).



- 2.5 To gradually decrease the flame height press and hold the low flame button until the desired setting is reached (see Diagram 1).
- 2.6 To gradually increase the flame height press and hold the high flame button until the desired setting is reached (see Diagram 1).

USER INSTRUCTIONS

- 2.7 The flame height can now be moved through the range of settings by pressing and holding the high flame button to increase flame height or the low flame button to decrease flame height as desired.
- 2.8 If the appliance is in Stand-by mode (see Section 2B) press the high flame button once to ignite the fire. The flame height can then be adjusted as described above.

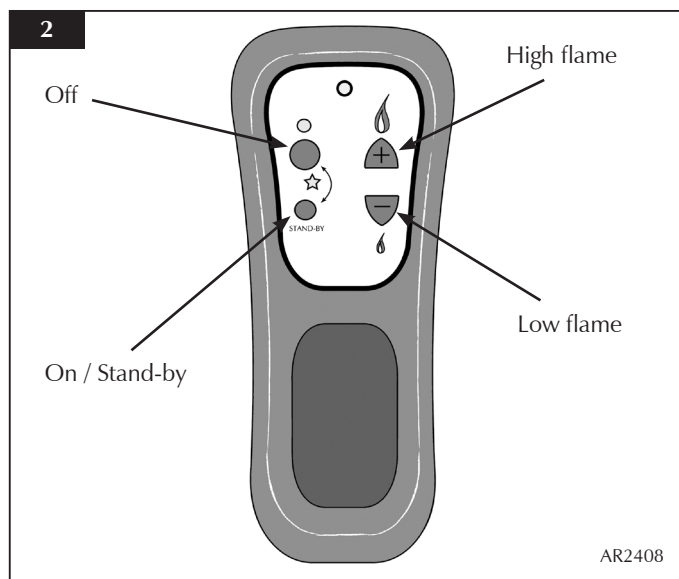
2B. TURNING THE APPLIANCE OFF - MANUAL CONTROL

- 2.9 To turn the fire off but leave the pilot lit press the Stand-by button once (see Diagram 1).
- 2.10 To turn the appliance off completely press the On / Off button once (see Diagram 1).

3A. LIGHTING THE APPLIANCE - REMOTE CONTROL

The remote control sends signals to an infrared sensor which must be mounted on the appliance. Refer to the separate frame instructions for details on installing the sensor. To operate the appliance using the remote control handset:

- 3.1 The remote control handset has a two button ignition safety feature. To light the fire press both the On / Standby button and the Off button at the same time (see Diagram 2). The pilot will light and the fire will ignite after approximately 10 seconds. The fire will be automatically set to high flame.
- 3.2 To switch from high flame to low flame press the low flame button once (see Diagram 2).
- 3.3 To switch directly back to high flame press the high flame button once (see Diagram 2).



- 3.4 To decrease the flame height press and hold the low flame button until the desired setting is reached (see Diagram 2).
- 3.5 To increase the flame height press and hold the high flame button until the desired setting is reached (see Diagram 2).
- 3.6 The flame height can now be moved through the range of settings by pressing and holding the high flame button to increase flame height or the low flame button to decrease flame height as desired.
- 3.7 If the appliance is in Stand-by mode (see Section 3B) press the high flame button once to ignite the fire. The flame height can then be adjusted as described above.

3B. TURNING THE APPLIANCE OFF - REMOTE CONTROL

- 3.8 To turn the fire off but leave the pilot lit press the On / Stand-by button once (see Diagram 2).
- 3.9 To turn the appliance off completely press the Off button once (see Diagram 2).

USER INSTRUCTIONS

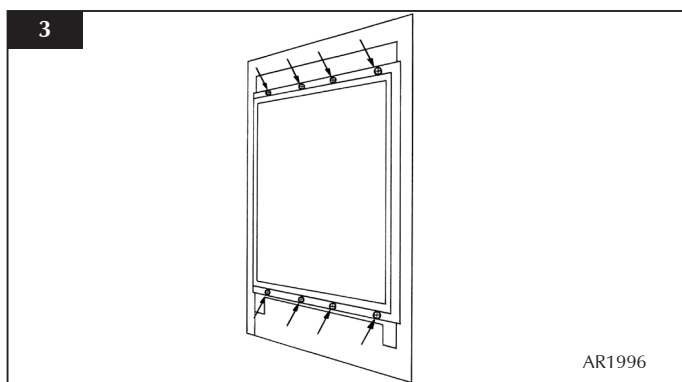
4. CLEANING THE APPLIANCE

ENSURE THE APPLIANCE IS COLD BEFORE PROCEEDING

- 4.1 Refer to the separate frame instructions (supplied with frame) to remove the frame from the appliance.

4A. CLEANING THE E-STUDIO

- 4.2 Remove the glass window by unscrewing the 8 x screws in the glass window frame (see Diagram 3).



- 4.3 To clean the glass surface, Gazco recommends you use a ceramic glass product generally sold for cleaning ceramic hobs.
- 4.4 Remove the granite chippings and place on a dry clean surface. Do not remove the enamel back panel.
- 4.5 Use a damp cloth and mild non-abrasive cleaner on the enamel back panel.
- 4.6 Clean the burner and tray assembly using a vacuum cleaner with a soft brush attachment.
- 4.7 Ensure all debris is removed from the burner ports.
- 4.8 Replace the granite chippings by referring to *User Instructions, Section 6A*.

4B. CLEANING THE E-BOX

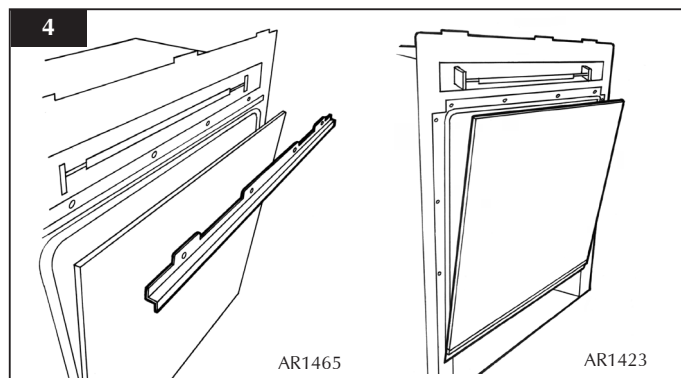
ADVICE ON HANDLING AND DISPOSAL OF FIRE CERAMICS

The fuel effects in this appliance are made from Refractory Ceramic Fibre (RCF). Protective clothing is not required when handling these articles, but we recommend you follow normal hygiene rules of not smoking, eating or drinking in the work area and always wash your hands before eating or drinking. Excessive exposure to these materials may cause temporary irritation to eyes, skin and respiratory tract; wash hands thoroughly after handling the material.

To ensure that the release of RCF fibres is kept to a minimum a HEPA filtered vacuum is recommended to remove any dust accumulated in and around the appliance.

When servicing the appliance it is recommended that the replaced items are not broken up, but are sealed into heavy duty polythene bags and labelled as RCF waste. RCF waste is classed as stable, non-reactive, hazardous waste and may be disposed of at a licensed landfill site.

- 4.9 After cleaning the appliance or replacing parts, carefully re-assemble the ceramic components.
- 4.10 Remove the glass window by loosening the four screws in the lower retaining bracket.
- 4.11 Remove the four top screws and retaining bracket. The glass window can now be lifted clear (see Diagram 4).

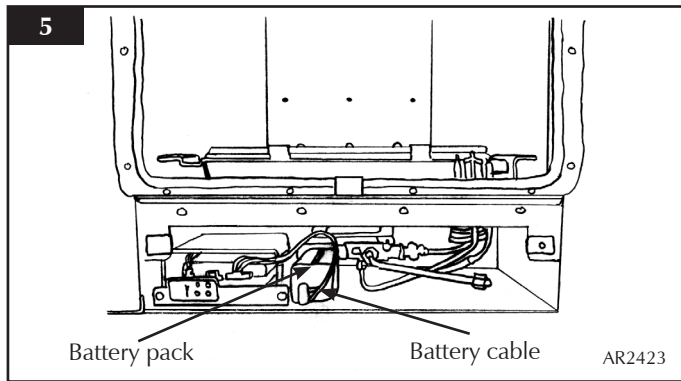


- 4.12 To clean the glass surface, Gazco recommends you use a ceramic glass product generally sold for cleaning ceramic hobs.
- 4.13 Remove the ceramic coals or pebbles and fuel bed and place on a dry clean surface.
- 4.14 Clean the burner and tray assembly using a vacuum cleaner with a soft brush attachment.
- 4.15 Ensure all debris is removed from the ports.
- 4.16 Replace the ceramics by referring to Section 6B.

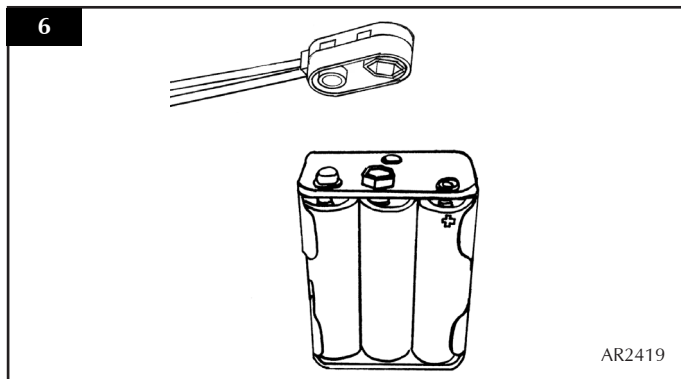
USER INSTRUCTIONS

5. CHANGING THE BATTERIES

5.1 The battery pack can be found to the right of the control touch pad (see Diagram 5).



5.2 The control box requires 6 x AA batteries. Disconnect the battery pack from its cable (see Diagram 6) and replace all 6 x batteries together, like for like. Ensure all batteries are correctly orientated.



5.3 Reattach the cable from the control box to the battery pack.

5.4 The remote handset requires 1x 9v (PP3) battery. Remove the battery compartment panel on the back of the handset and replace battery like for like.

5.5 Replace the battery compartment panel.

ELECTRONIC CONTROL VALVE FAULT ANALYSIS

5.6 If the batteries are low or there is a problem with certain parts of the appliance a series of beeps will be heard. The beeps will continue until the batteries are disconnected and/or replaced. Please refer to the trouble shooting table below for diagnosis:

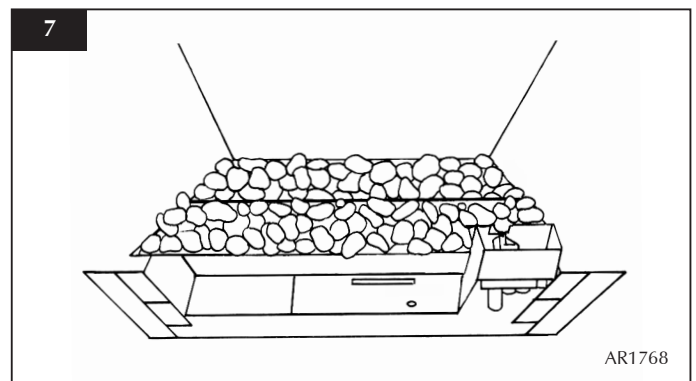
Sound Alarm (no. of beeps)	Failure	Action
6	Battery voltage too low for system to operate	<p>Replace the batteries (see Section 5, above).</p> <p>Before reinserting battery pack ensure the beeps have stopped, wait 5 seconds then reinsert pack.</p> <p>If, after replacing batteries, the beep does not stop ignite the fire to clear the problem.</p>
7	Low battery	<p>Replace the batteries (see Section 5, above).</p> <p>Before reinserting battery pack ensure the beeps have stopped, wait 5 seconds then reinsert pack.</p> <p>If, after replacing batteries, the beep does not stop ignite the fire to clear the problem.</p>

5.7 If the number of beeps heard differs from the table above please call Gazco Technical Services on 01392 261950 for further advice.

6A. ARRANGEMENT OF THE FUEL BED COMPONENTS - E STUDIO

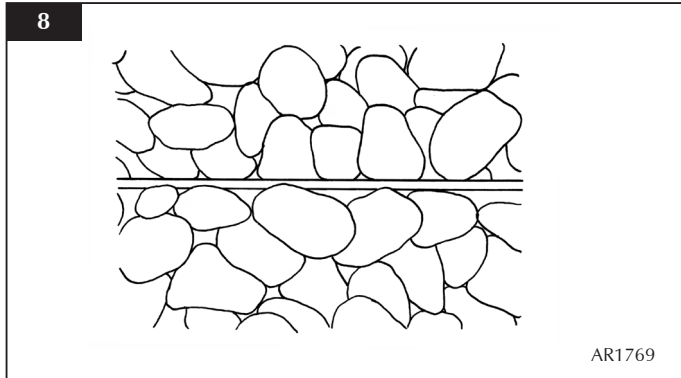
ONLY USE THE CORRECT TYPE AND QUANTITY OF GRANITE CHIPPINGS. ALWAYS FOLLOW THE FUEL BED LAYOUT AS STATED IN THESE INSTRUCTIONS. NEVER CHANGE THE LAYOUT FROM THAT SHOWN HERE.

6.1 Arrange the granite chippings within the areas shown in Diagram 7. Granite chippings should be evenly distributed.



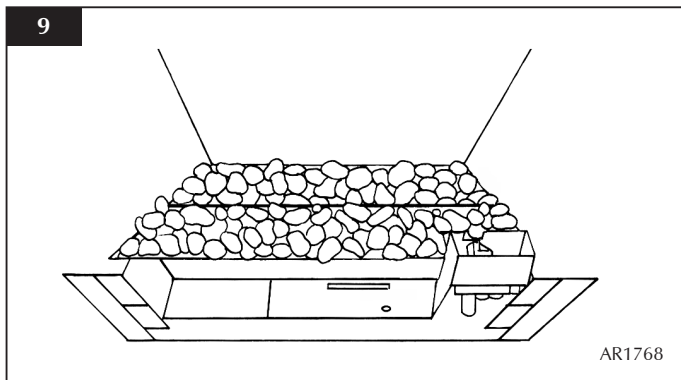
USER INSTRUCTIONS

- 6.2 Lean the granite chippings against the burner ledges to disguise the ledges (see Diagram 8).



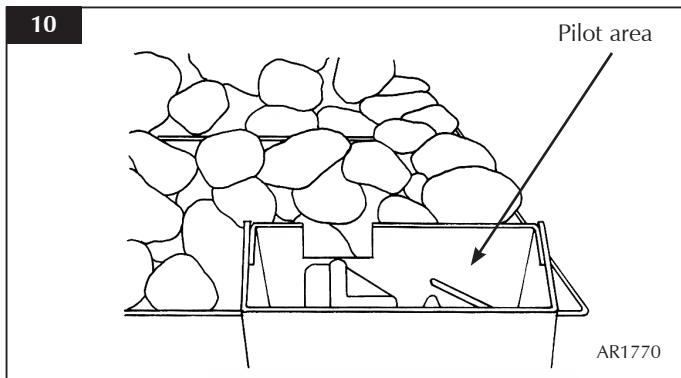
- 6.3 Check that the port area, shown in Diagram 9, is clear of granite chippings. This can be easily done by gently running a screwdriver or similar object along this area.

NOTE: IT IS IMPORTANT THE GRANITE CHIPPINGS DO NOT COVER THE PORT AREA IN BETWEEN THE BURNER LEDGES.



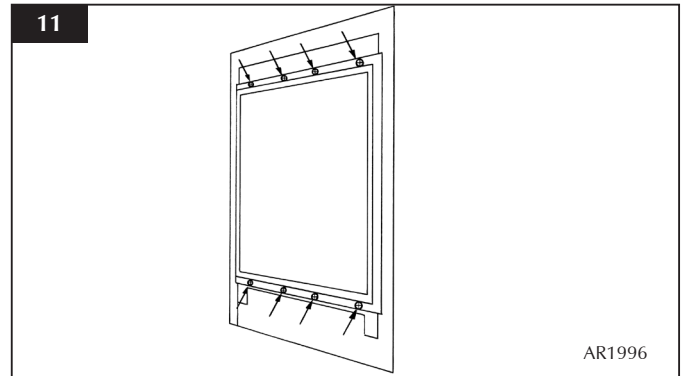
- 6.4 Ensure that no chippings overhang or fill the pilot area (see Diagram 10).

NOTE: CHIPPINGS SHOULD NOT BE PLACED DIRECTLY IN FRONT OF THE PILOT CROSS LIGHTING FLAME.



FITTING THE GLASS WINDOW

- 6.5 Ensure that the fibre glass window seal on the box is intact.
- 6.6 Replace the one-piece glass window frame, ensuring that all 8 x fixings are tight (see Diagram 11).



NEVER OPERATE THE FIRE WHEN THE GLASS PANEL IS REMOVED OR BROKEN

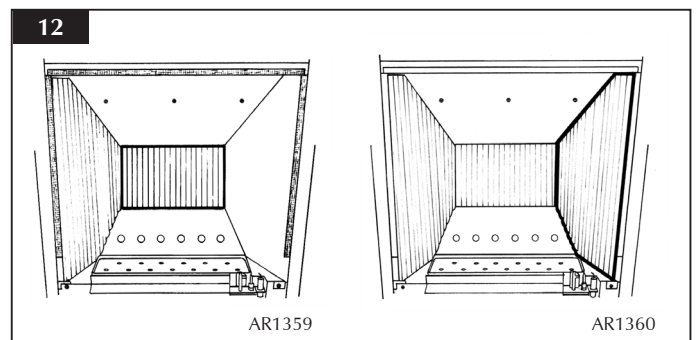
- 6.7 Refer to the separate frame instructions to replace the frame on the appliance.

6B. ARRANGEMENT OF THE FUEL BED COMPONENTS - E-BOX

NOTE: CERAMIC PARTS ARE FRAGILE - HANDLE WITH CARE

ONLY USE THE CORRECT TYPE AND QUANTITY OF CERAMIC COMPONENTS

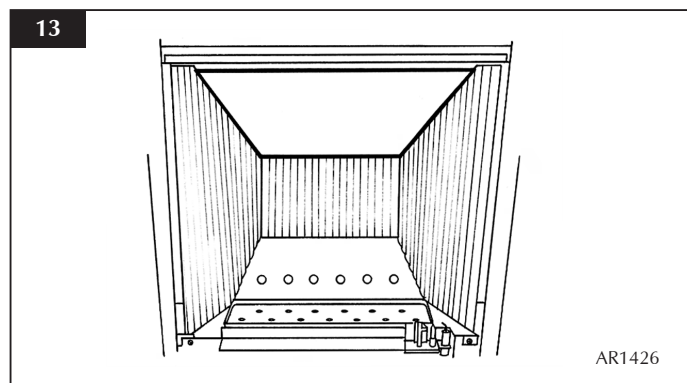
- 6.8 Place the rear panel against the rear of the box resting on the shelf.
- 6.9 Slide one of the side panels into the box ensuring it touches the rear panel.
- 6.10 Gently ease the front edge of the side panel behind the flange so it lies flat against the wall of the box.
- 6.11 Repeat with the second side panel (see Diagram 12).



USER INSTRUCTIONS

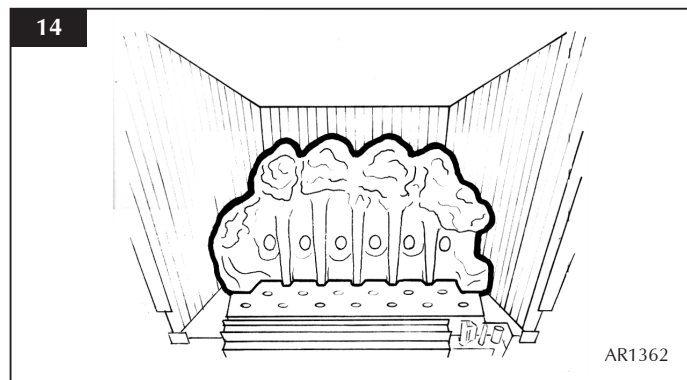
6.12 Locate the top panel on top of the sides and rear by lifting it up and forward inside the box.

6.13 Slide it backwards and down behind the side panels to rest on the rear panel (see Diagram 13).

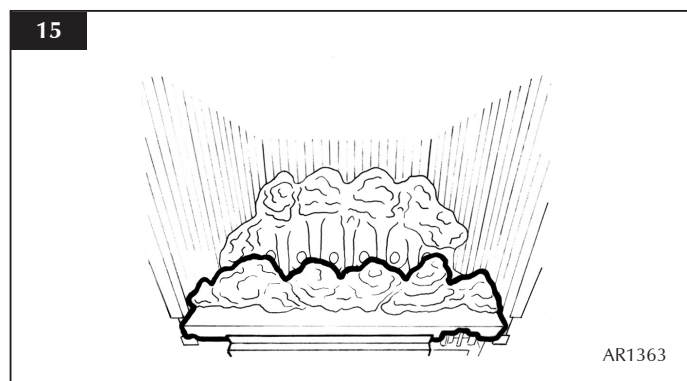


COAL LAYOUT

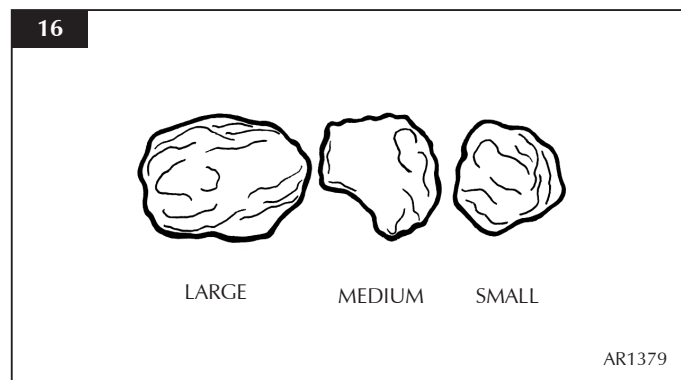
6.14 Position the flame baffle centrally on the tray and ensure the stepped lower edge engages against the rear edge of the burner skin (see Diagram 14).



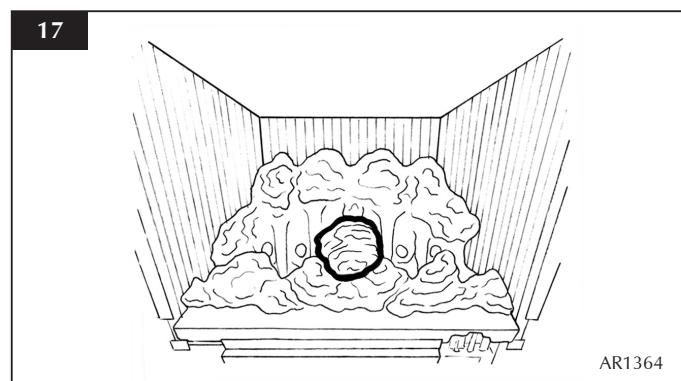
6.15 Place the front coal centrally in the channel at the front of the tray. The relationship between the front coal and the flame baffle is shown in Diagram 15.



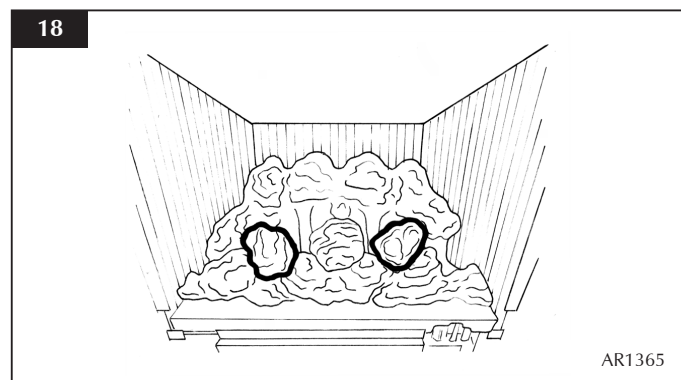
6.16 There are three sizes of coal used. Small x 3, medium x 4 and large x 1. For identification see Diagram 16.



6.17 Place the single large coal in the central dent of the front coal, resting against the flame baffle (see Diagram 17).

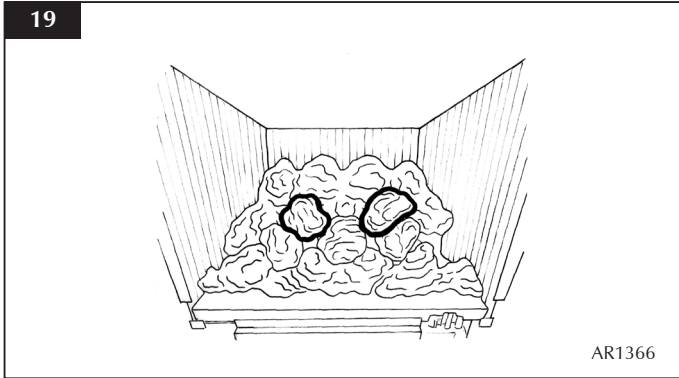


6.18 Place 2 medium-size coals either side of the first large coal in the recess between the flame baffle and the front coal (see Diagram 18).

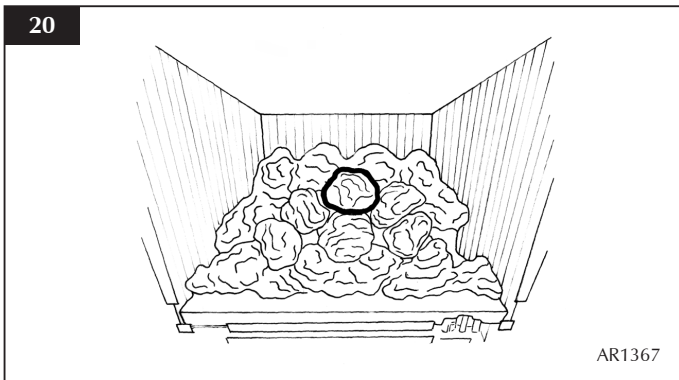


USER INSTRUCTIONS

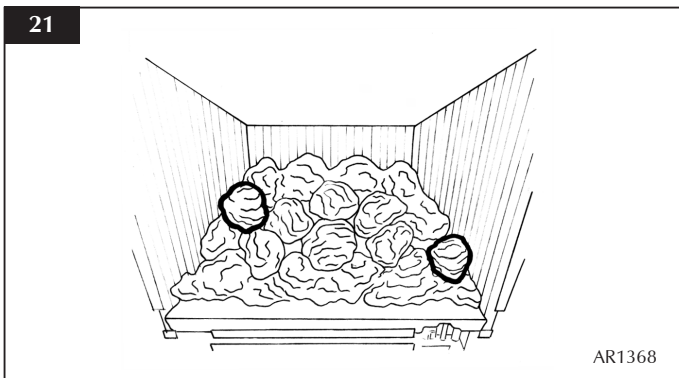
6.19 Place another two medium size coals behind the first three coals and against the flame baffle (see Diagram 19).



6.20 Place a small coal directly behind the first large coal and in between the centre of the last two medium coals, resting on the flame baffle (see Diagram 20).

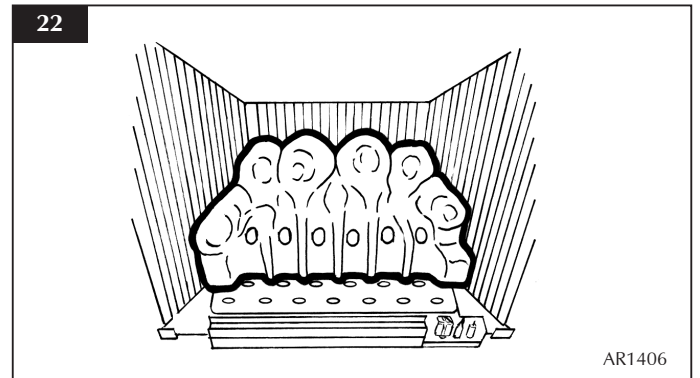


6.21 Place the last two small coals to the left and right hand side of the bed in the two spaces (see Diagram 21).

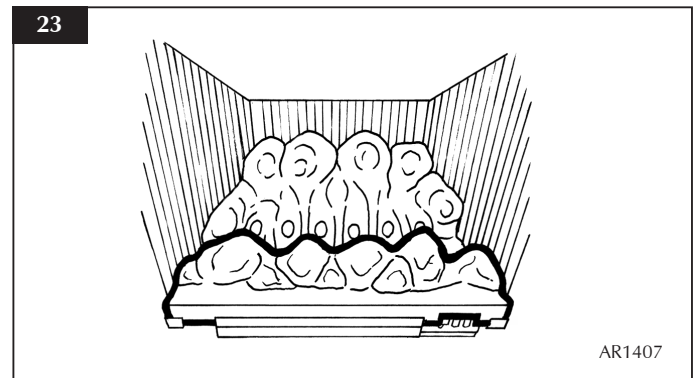


PEBBLE LAYOUT

6.22 Position the pebble flame baffle centrally on the tray and ensure the stepped lower edge engages against the rear edge of the burner skin (see Diagram 22).



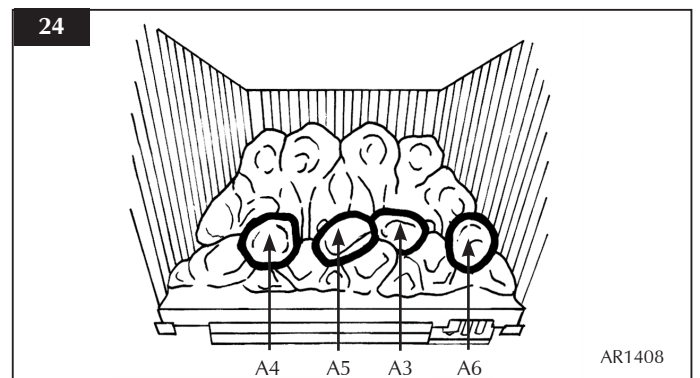
6.23 Place the front pebble piece centrally in the channel at the front of the tray (see Diagram 23).



6.24 There are 10 loose pebbles in the set supplied. Each pebble is individually marked. The quantity of each type is shown below:

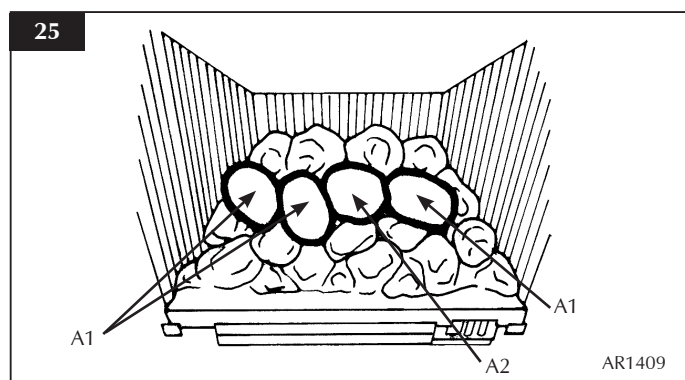
A1 x 3	A4 x 1
A2 x 1	A5 x 1
A3 x 3	A6 x 1

6.25 Place the four pebbles as identified resting between the front ceramic and the flame baffle as shown in Diagram 24.

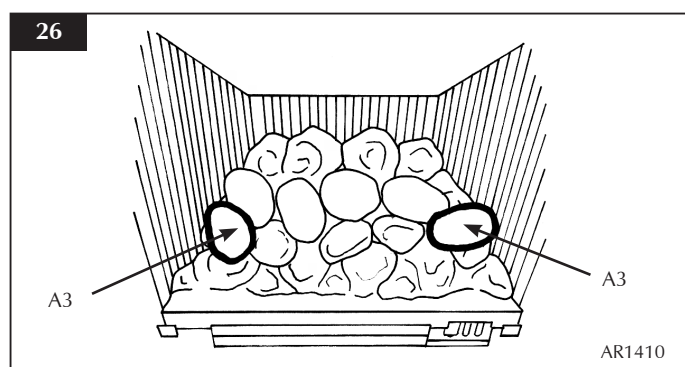


USER INSTRUCTIONS

- 6.26 Place the next four pebbles as shown resting between the flame baffle and the first row of pebbles (see Diagram 25).



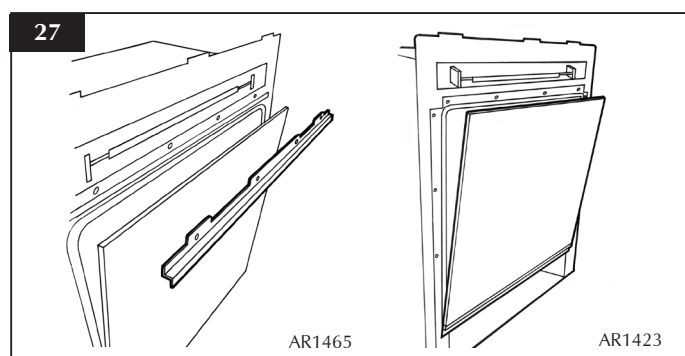
- 6.27 Place the remaining two A3 pebbles as shown in Diagram 26.



- 6.28 The coals/pebbles should evenly cover the whole bed with the gaps between them kept equal. This will maximise the performance of the product.
- 6.29 **ENSURE THAT THE COALS/PEBBLES ARE POSITIONED AS ABOVE. ONLY USE THE CORRECT AMOUNT OF COALS/PEBBLES AS SPECIFIED IN THE DIAGRAMS.**

FITTING THE GLASS WINDOW

- 6.30 Ensure that the fibre glass window seal on the box is intact, then lower the glass window into the lower retaining bracket (see Diagram 27).



- 6.31 Hold the window and position the upper retaining bracket.
- 6.32 Secure using the 4 x screws.
- 6.33 Tighten the bottom and top screws to retain the window.
- 6.34 Refer to the separate frame instructions to replace the frame on the fire.

NEVER OPERATE THE APPLIANCE WHEN THE GLASS PANEL IS REMOVED OR BROKEN.

7. FLAME FAILURE DEVICE

- 7.1 This is a safety feature incorporated on this appliance which automatically switches off the gas supply if the pilot goes out and fails to heat the thermocouple.

8. RUNNING IN

- 8.1 The surface coating on the coals used in your GAZCO appliance will "burn off" during the first few hours of use producing a harmless and temporary odour. This will disappear after a short period of use. If the odour persists, ask your installer for advice.

9. SERVICING

- 9.1 The appliance must be serviced every 12 months by a qualified Gas Engineer. In all correspondence always quote the Model number and the Serial number which may be found on the data badge.

10. VENTILATION

- 10.1 This appliance requires no additional ventilation.

11. INSTALLATION DETAILS

- 11.1 To assist in any future correspondence, your installer should have completed the commissioning sheet at the front of this book, this records the essential installation details of the appliance. In all correspondence always quote the Model number and Serial number.

12. HOT SURFACES

- 12.1 Parts of this appliance become hot during normal use. It is therefore recommended that a suitable fire guard be used for protection of young children and the infirm. Indeed, all parts of the appliance should be treated as a working surface except for the control access panel.

INSTALLATION INSTRUCTIONS

TECHNICAL SPECIFICATION

E-Studio Models:

NG: 112-236 LPG: 112-732

Gas Category		I ₂ H	I ₃ P
		Natural	Propane
Gas Type		G20	G31
Working Pressure		20mbar	37mbar
Gross Input kW	High	4.3kW	3.75kW
	Low	2.5kW	2.3kW
Gas Rate m ³ /hr		0.401	0.138
Efficiency Class		2	2
NO _x Class		4	4
Injector Class		158	170R
Aeration Size		8mm x 15mm	23mm x 15mm
			23mm x 15mm
Flue Outlet Size		100mmø / 152 mmø	
Gas Inlet		8mm	

APPLICABLE FRONTS	PART NUMBER
Designio	8272BFMA + 8272BFIR + 8272BFGP
Progress	8253BFMA + 8253BFIR
Dimension	8680MB
Steel	8695GP + 8695IR
Evolution	8258BS + 8258MB
Arts	8282MB + 8282HP + 8282P + 8282PBR
Steel	8695GP + 8695IR
Futura	8687BK
Fusion	8699GP + 8699IR
Winchester	8697MB + 8697P

APPLICABLE FRAME & FRONT COMBINATIONS		
FINISH	ARTS FRAME	ARTS FRONT
Black	8283BFMB	8282MB
Brass	8283BFPBR	8282PBR
Brushed Steel	8283BFBS	
Polished Steel	8283BFP	
Highlight Polished		8282HP
Chrome		8282P

INSTALLATION INSTRUCTIONS

TECHNICAL SPECIFICATION

E-Box models:

COAL NG: 112-360

PEBBLE NG: 112-196

COAL LPG: 112-617

PEBBLE LPG: 112-540

Gas Category		I ₂ H	I ₃ P
		Natural	Propane
Gas Type		G20	G31
Working Pressure		20mbar	37mbar
Gross Input kW	High	4.1kW	4.1kW
	Low	2.3kW	2.5kW
Gas Rate m ³ /hr		0.390	0.154
Efficiency Class		1	1
NO _x Class		3	3
Injector Class		260	104
Aeration Size		12mm x 15mm	6mm x 15mm
			23mm x 15mm
Flue Outlet Size		100mm \varnothing / 152 mm \varnothing	
Gas Inlet		8mm	

APPLICABLE FRONTS			
	PART NUMBER		PART NUMBER
Designio	8272MA + 8272GP + 8272IR	Stockton	8696
Evolution	8258BS + 8258MB + 8258BS	Yeoman	YM98906
Infinity	8256BS	Holyrood	8693MB + 8693PBB + 8693HP
Progress	8253MA + 8253IR	Spanish	8694MB + 8694PBB + 8694HP
Richmond	8679	Futura	8687BK
Dimension	8680MB	Fusion	8699GP + 8699IR
Arts	8282MB + 8282HP + 8282P + 8282PBR	Winchester	8697MB + 8697P

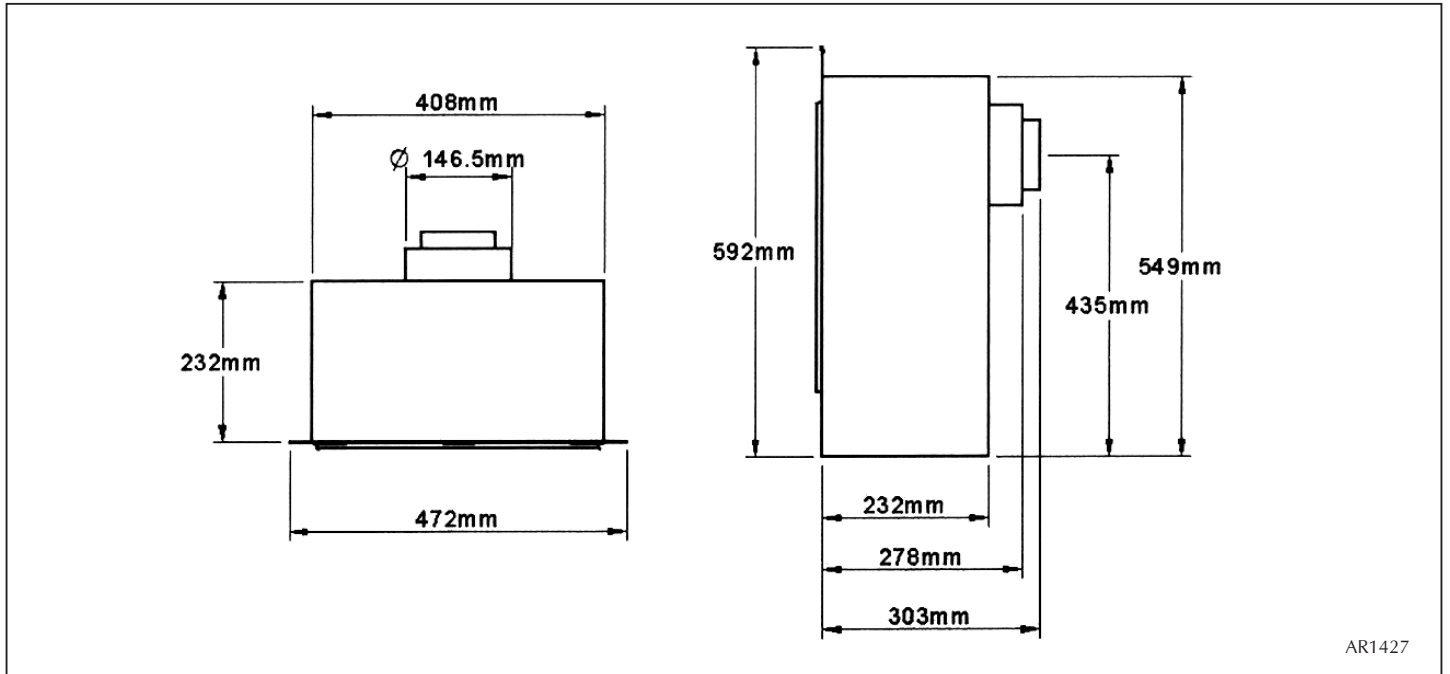
APPLICABLE FRAME & FRONT COMBINATIONS				
FINISH	**ARTS FRAME	ARTS FRONT	HOLYROOD FRONT	SPANISH FRONT
Black	8283MB	8282MB	8693MB	8694MB
Brass	8283PBR	8282PBR		
Black/Brass			8693PBB	8694PBB
Brushed Steel	8283BS			
Polished Steel	8283P			
Highlight Polished		8282HP	8693HP	8694HP
Chrome		8282P		

** The Arts Frame must be used in conjunction with either the Arts, Holyrood or Spanish Front.

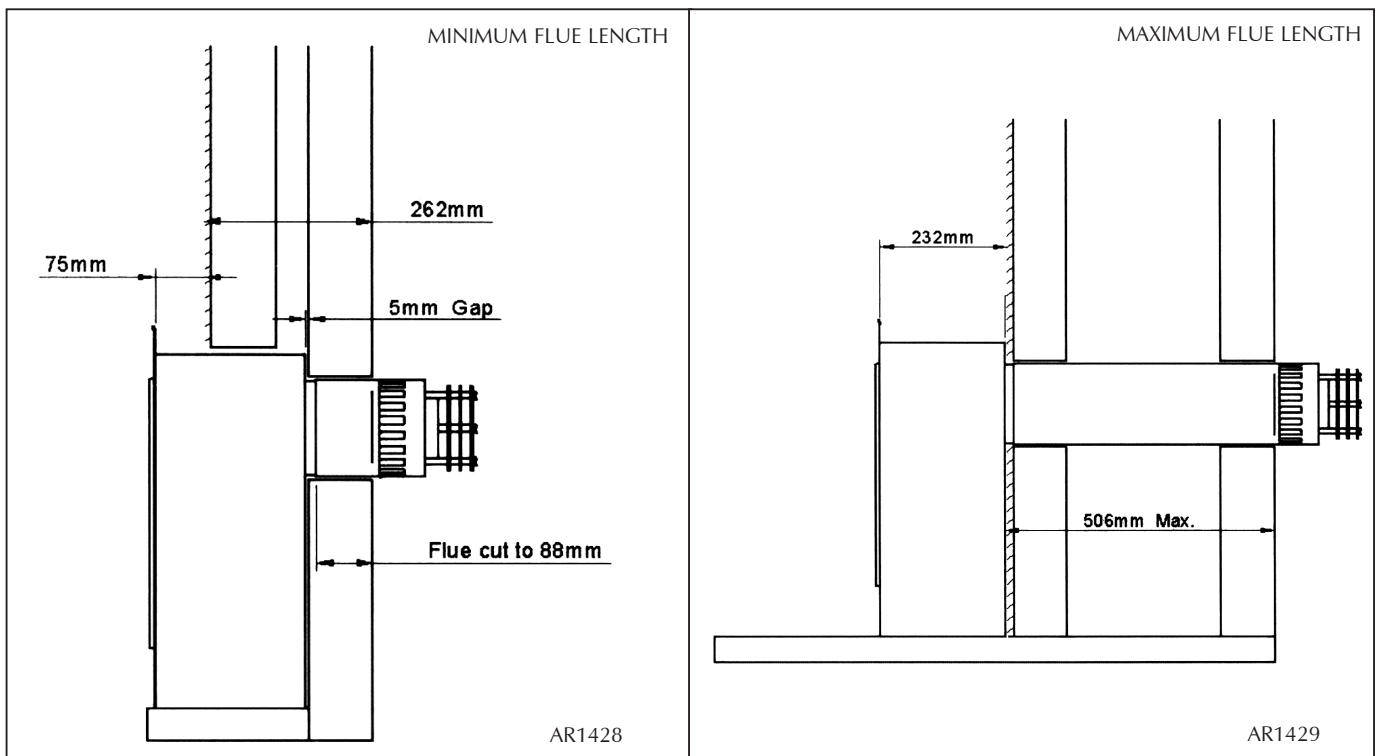
INSTALLATION INSTRUCTIONS

TECHNICAL SPECIFICATION

OVERALL EXTERNAL DIMENSIONS FOR BOTH E-STUDIO AND E-BOX



MINIMUM AND MAXIMUM FLUE SIZE



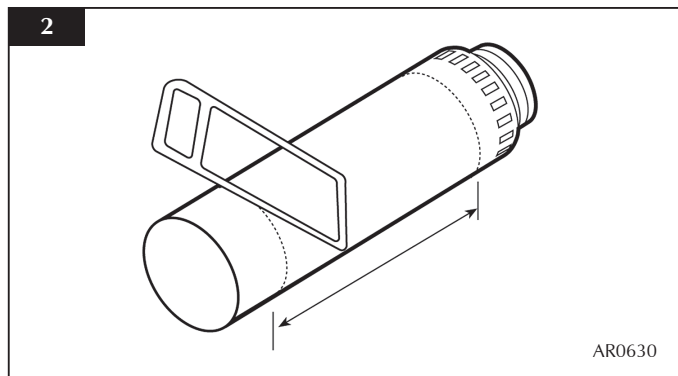
INSTALLATION INSTRUCTIONS

SITE REQUIREMENTS

1. FLUE AND CHIMNEY REQUIREMENTS

NOTE: This appliance can only be installed in conjunction with the flue supplied.

- 1.1 The flue must be sited in accordance with BS5440: Part 1 (latest edition) (see Diagram 1).
- 1.2 Any terminal which is less than 2m above any access (level ground, balcony or above a flat roof to which people have access) is to be fitted with a guard.
- 1.3 The flue must be securely fixed and fire precautions followed in accordance with local and national codes of practice.
- 1.4 The horizontal terminal can be reduced in length (see Diagram 2).



1

UK Dimensions

Dimension	Terminal Position	Minimum Distance (mm)
A*	Directly below an opening, air brick, opening windows etc	300 mm
B*	Above an opening, air brick, opening windows etc.	300 mm
C*	Horizontal to an opening, air brick, opening windows etc.	300 mm
D	Below gutters, soil pipes or drain pipes	300 mm
E	Below eaves	300 mm
F	Below balconies or car port roof	600 mm
G	From a vertical drain pipe or soil pipe	300 mm
H [†]	From an internal or external corner	600 mm
I	Above ground, roof or balcony level	300 mm
J	From a surface facing the terminal (or boundary)	600 mm
K	From a terminal facing the terminal	600 mm
L	From an opening in the car port (e.g. door, window) into dwelling	1200 mm
M	Vertically from a terminal on the same wall	1500 mm
N	Horizontally from a terminal on the same wall	300 mm
O	From the wall in which the terminal is mounted	N/A
P	From a vertical structure on the roof	N/A
Q	Above intersection with roof	N/A

* In addition, the terminal should not be nearer than 300mm to an opening in the building fabric formed for the purpose of accommodating a built-in element such as a window frame.

[†]The reference to external corners does not apply to building protrusions not exceeding 450mm, such as disused chimneys on external walls.

INSTALLATION INSTRUCTIONS

SITE REQUIREMENTS

TIMBER FRAMED BUILDINGS

- 1.5 It will be necessary to provide additional clearance when the flue passes through a wall containing any combustible materials to prevent a fire hazard.
- 1.6 The hole through which the flue will pass must have a steel sleeve which is positioned so that an air gap of at least 25mm is maintained between the outer surface of the flue and any part of the sleeve.
- 1.7 For further guidance on the installation of gas appliances in timber framed buildings, contact your local buildings control authority.

2. GAS SUPPLY

- 2.1 Before installation ensure that the local distribution conditions (identification of the gas type and pressure) and the adjustment of the appliance are compatible.
- 2.2 Ensure that the gas supply is capable of delivering the required amount of gas and is in accordance with the rules in force.
- 2.3 Factory-sheathed/wrapped soft copper tubing with small ridges which allow pipe movement are considered to be a suitable alternative to a pipe sleeve. When recessing the unit into a cavity wall the gas supply is best fed through the wall from the outside. Soft soldered joints can only be used outside the appliance.
- 2.4 This appliance is supplied complete with a factory fitted isolation device incorporated into the inlet connection. No further isolation device is required.

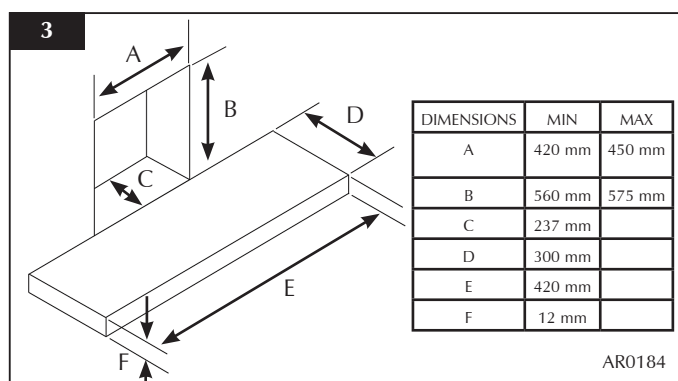
3. VENTILATION

- 3.1 This appliance requires no additional ventilation.

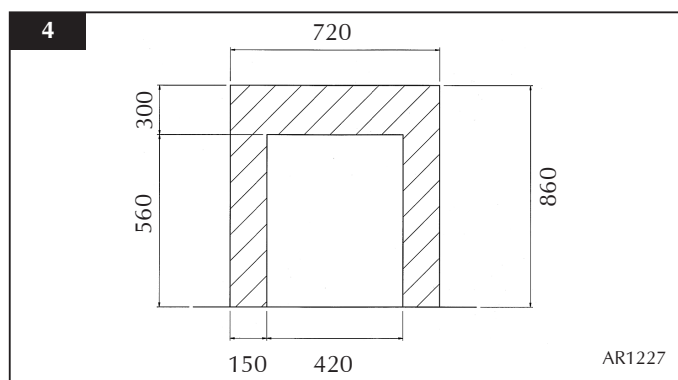
4. APPLIANCE LOCATION

NOTE: It is recommended that the back panel of the fireplace is constructed from natural materials cut into three or more sections to prevent cracking. Resin based materials may not be suitable. This appliance is an effective heat producer and attention must be paid to the construction and finish of the fireplace.

- 4.1 This appliance must stand on a non-combustible hearth at least 12mm thick. If the fire is greater than 50mm above the floor no hearth is required, although due consideration should be given to how the heat may affect the floor material.



- 4.2 The minimum opening dimensions are shown (see Diagram 3).
- 4.3 This appliance can only be installed on an outside wall with suitable clearances for the flue terminal and guard (if required).
- 4.4 This appliance is not suitable for installation into a combustible wall. All combustible material must be removed from the area shown (see Diagram 4).



- 4.5 The maximum depth of combustible shelf is 150mm at a minimum height of 300mm above the fireplace opening.

INSTALLATION INSTRUCTIONS

INSTALLATION

1. UNPACKING

- 1.1 Remove the appliance from its packaging and check that it is complete and undamaged.
- 1.2 Put the loose ceramic parts to one side so that they are not damaged during installation.

2. SAFETY PRECAUTIONS

- 2.1 This appliance must be installed in accordance with the rules in force and used only in a sufficiently ventilated space. Please read all instructions before installation and use of this appliance.
- 2.2 These instructions must be left intact with the user.
- 2.3 Do not attempt to burn rubbish on this appliance.
- 2.4 In the interests of your own and other's safety this appliance must be installed by a competent person in accordance with local and national codes of practice. Failure to install the appliance correctly could lead to prosecution.
- 2.5 Keep all plastic bags away from young children.

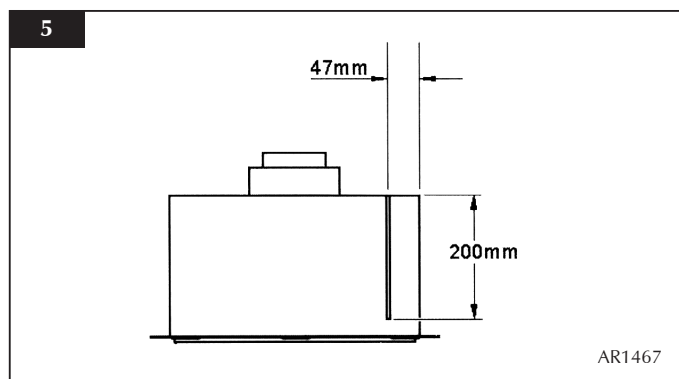
3. INSTALLATION OF THE GAS SUPPLY

E-STUDIO BF	
NAT GAS @ 20MB	PROPANE @ 37mb
112-236	112-732

E-BOX BF	
NAT GAS @ 20MB	PROPANE @ 37mb
112-360	112-617
112-196	112-540

TO CHANGE FROM ONE GAS TYPE TO ANOTHER A COMPLETE ENGINE ASSEMBLY CHANGE WILL BE REQUIRED SEE *SERVICING INSTRUCTIONS, REPLACING PARTS, SECTION 12.*

- 3.1 Before installation ensure that the local distribution conditions (identification of the type of gas and pressure) and the adjustment of the appliance are compatible (see table above).
- 3.2 The position of the gas inlet pipe is shown in Diagram 5.



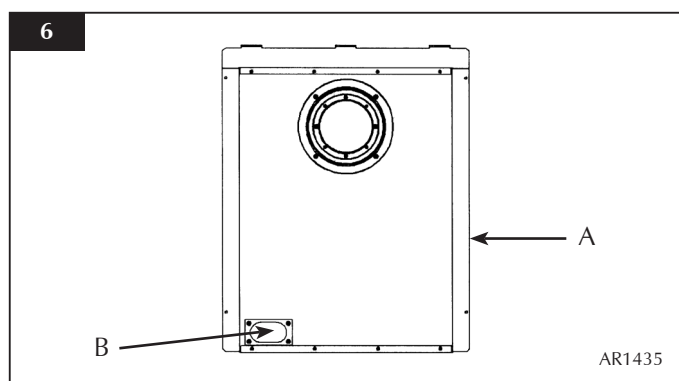
- 3.3 All supply pipes must be purged of any debris that may have entered prior to connection to the appliance.
- 3.4 The gas supply enters through the silicone panel located on the rear of the outer box. This will need to be slit with a sharp knife prior to passing the supply pipe through.

4. PREPARING THE APPLIANCE

IMPORTANT

The remote control on this appliance uses an infrared sensor which must be mounted on the appliance. Refer to the separate frame instructions (PR1257) for details on installing the sensor.

- 4.1 Remove the backing from the self-adhesive silicone sealing strip and apply to the rear flange of the firebox, ensuring that the strip is positioned as close to the outer edge as possible (see Diagram 6, A).



- 4.2 Gas pipe entry must come through the rear right-hand side of the box. The rubber seal must be cut using a sharp knife to allow the isolating elbow to pass through it (see Diagram 6, B). Ensure the rubber is not damaged when doing this.
- 4.3 A means of isolation is provided with the appliance. This must be fitted to the supply pipe prior to installing the firebox.

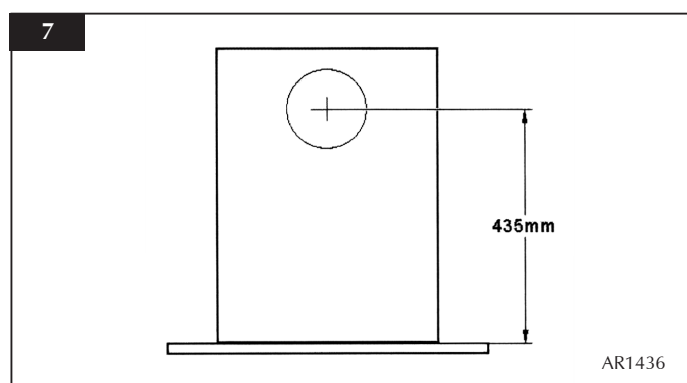
INSTALLATION INSTRUCTIONS

INSTALLATION

- 4.4 The appliance can be recessed into an inner leaf of the wall. A 75mm rebate surround must be used with this method, or it can be installed in front of the wall in conjunction with a fire surround constructed of a studwork frame (see Installation Instructions, Technical Specification, Flue Outlet Sizes).

5. NON-RECESSED INSTALLATION

- 5.1 Mark the position of the flue on the inner wall by measuring from the top of the finished hearth level (see Diagram 7).



- 5.2 A 152mm (6") diameter hole is required to install the flue. This can be achieved by either:

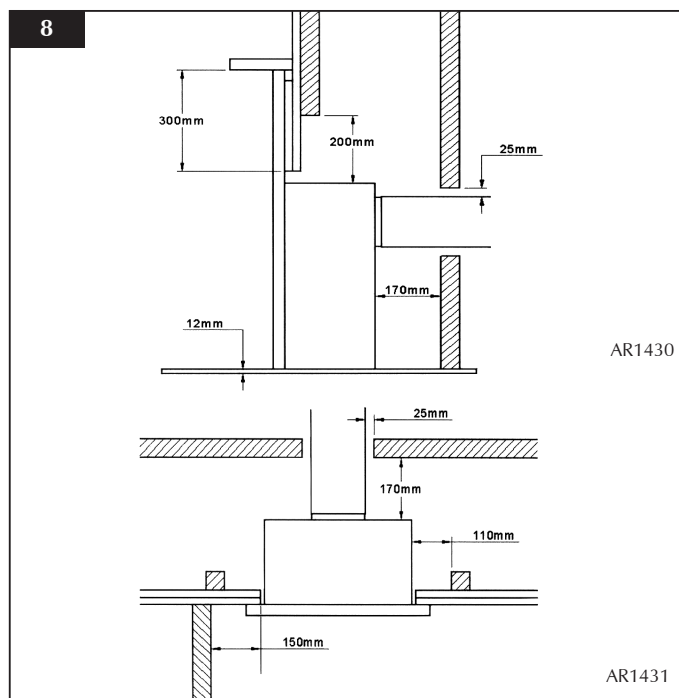
- Core drill
- Hammer and chisel

It is advisable to drill small holes around the circumference when using method b). Make good both ends of the hole.

- 5.3 It will now be necessary to construct a studwork frame to house the appliance. The minimum depth of the aperture must be 237mm. This includes an air gap of 5mm behind the appliance. The sides must be lined with non-combustible material for the full depth of the aperture.

- 5.4 Combustible parts of the studwork frame must not be any closer than the minimum dimensions shown in Diagram 8. These dimensions need to be maintained even if the frame work is protected by non-combustible material.

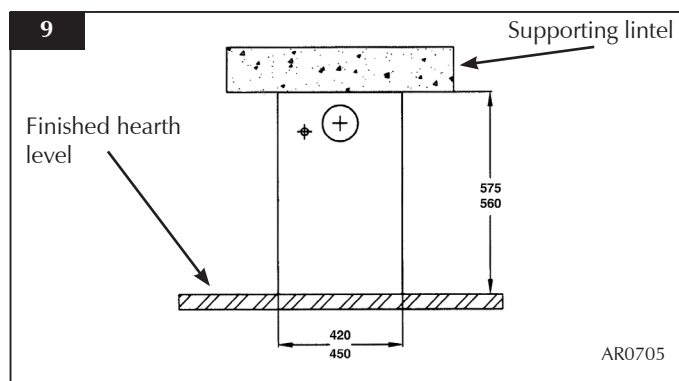
- 5.5 Do not pack the void around or above the appliance with insulation material such as mineral wool.



- 5.6 The void into which the appliance is fitted must be ventilated to prevent a build up of heat. If the void is sealed then it will be necessary to fit vents at both low and high levels of approximately 50cm². These vents should take cold air from the room and return warm air back into the room. This method of installation requires structural alteration to the installation area. A suitable supporting lintel must be installed to maintain the structural integrity of the surrounding blockwork.

6. RECESSED INSTALLATION

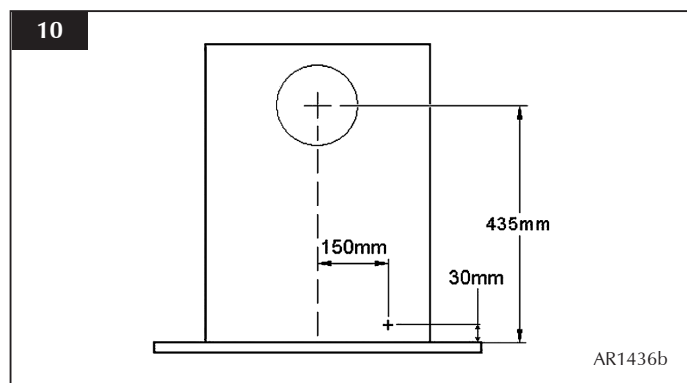
- 6.1 Mark the position of the lintel so that it sits centrally above the installation area. Remove the blockwork and install the lintel using mortar to ensure a strong bond with the surrounding wall (see Diagram 9).



INSTALLATION INSTRUCTIONS

INSTALLATION

- 6.2 With the lintel in position mark the width of the aperture and remove the blockwork. If there is loose cavity insulation this must be retained. This can be achieved by using Rockwool or similar (see Diagram 5).
- 6.3 Mark the position of the flue on the wall by measuring from the top of the finished hearth level (see Diagram 10).



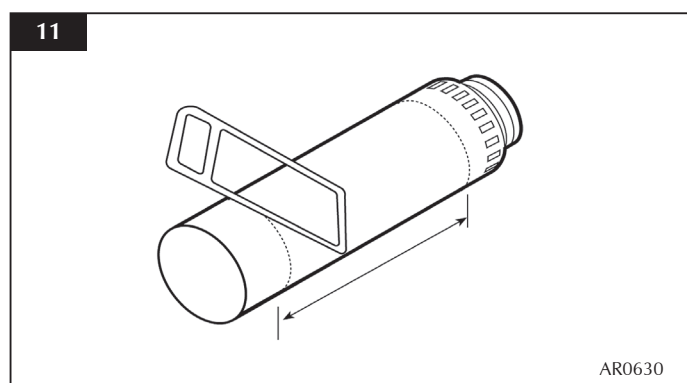
- 6.4 A 152mm (6") diameter hole is required to install the flue. This can be achieved by either:

- Core drill
- Hammer and chisel

It is advisable to drill small holes around the circumference when using this method. Make good both ends of the hole.

7. INSTALLATION OF THE APPLIANCE

- 7.1 The flue can be cut to length. Measure the thickness of the wall the flue is passing through then deduct 12mm. This is the length required when measuring from the line on the flue label. This must be level with the outside wall face when fitted (see Diagram 11).



- 7.2 There is a cardboard sleeve in the terminal. This is to support the flue whilst it is cut to length.

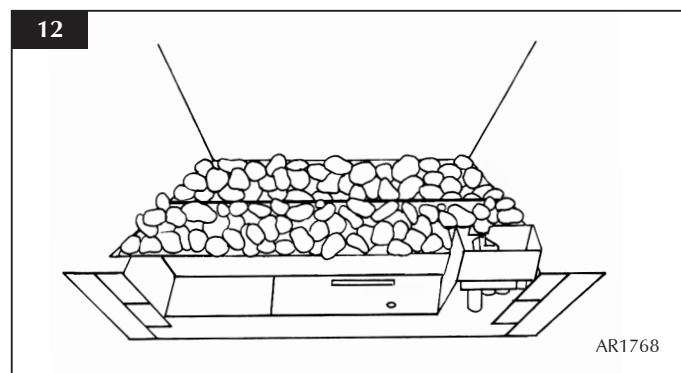
REMOVE THE CARDBOARD REMNANTS AFTER CUTTING FLUE TO SIZE.

- 7.3 Remove the compression elbow from the appliance and connect it to the gas supply pipe, taking note of its orientation.
- 7.4 Attach the flue to the appliance and seal using the aluminium tape provided.
- 7.5 As the appliance is positioned into the opening of the enclosure, pass the flue pipe through the hole in the wall. It will be necessary to pass the supply pipe with the elbow through the silicone panel on the right hand side of the box.
- 7.6 Secure the appliance in place using screws and wall plugs provided.
- 7.7 PURGE THE SUPPLY PIPE. This is essential to expel any debris that may block the gas controls.
- 7.8 Connect the elbow to the appliance inlet pipe.
- 7.9 Connect a suitable pressure gauge to the test point located on the inlet elbow and turn the gas on.
- 7.10 Light the appliance and check for leaks.
- 7.11 Turn the appliance to maximum and check that the supply pressure is as stated on the data badge.
- 7.12 Turn the gas supply off and replace the test point screw.
- 7.13 Turn the gas on and check the test point for leaks.

8A. ARRANGEMENT OF THE FUEL BED COMPONENTS - E STUDIO

ONLY USE THE CORRECT TYPE AND QUANTITY OF GRANITE CHIPPINGS. ALWAYS FOLLOW THE FUEL BED LAYOUT AS STATED IN THESE INSTRUCTIONS. NEVER CHANGE THE LAYOUT FROM THAT SHOWN HERE.

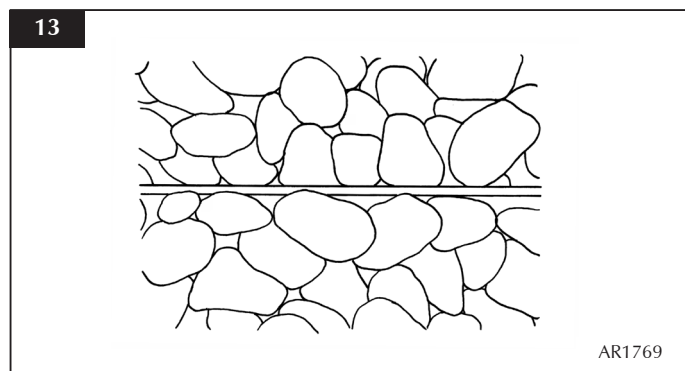
- 8.1 Arrange the granite chippings in the areas shown in Diagram 12. Granite chippings should be evenly distributed.



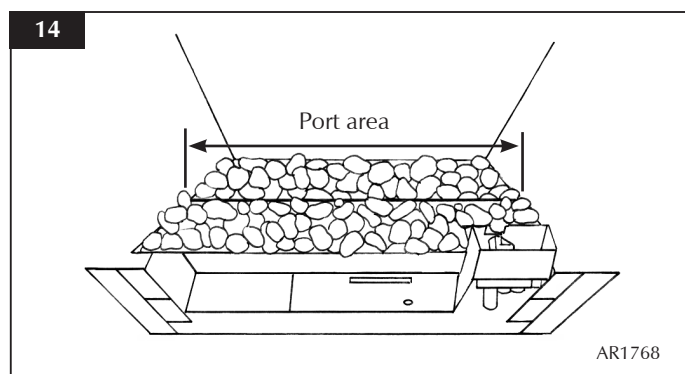
INSTALLATION INSTRUCTIONS

INSTALLATION

- 8.2 Lean the granite chippings against the burner ledges to disguise the ledges (see Diagram 13).



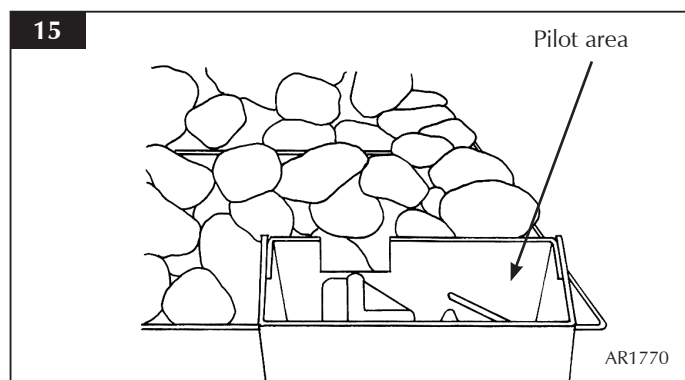
- 8.3 Check that the port area (see Diagram 14) is clear of granite chippings. This can be easily done by gently running a screwdriver or similar object along this area.



NOTE: IT IS IMPORTANT THE GRANITE CHIPPINGS DO NOT COVER THE PORT AREA IN BETWEEN THE BURNER LEDGES.

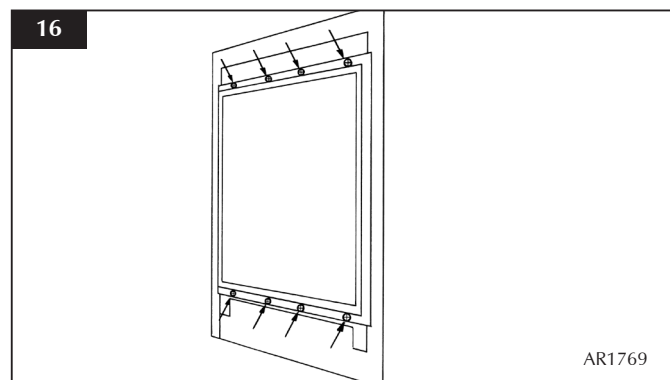
- 8.4 Ensure that no chippings overhang or fill the pilot area (see Diagram 15).

NOTE: CHIPPINGS SHOULD NOT BE PLACED DIRECTLY IN FRONT OF THE PILOT CROSS LIGHTING FLAME.



FITTING THE GLASS WINDOW

- 8.5 Ensure that the fibre glass window seal on the box is intact.
- 8.6 Replace the one-piece glass window frame ensuring that all 8 x fixings are tight (see Diagram 16).



NEVER OPERATE THE FIRE WHEN THE GLASS PANEL IS REMOVED OR BROKEN

- 8.7 Refer to the separate frame instructions to replace the frame on the fire.

8B. ARRANGEMENT OF THE FUEL BED COMPONENTS - E-BOX

ADVICE ON HANDLING AND DISPOSAL OF FIRE CERAMICS

The fuel effects in this appliance are made from Refractory Ceramic Fibre (RCF). Protective clothing is not required when handling these articles, but we recommend you follow normal hygiene rules of not smoking, eating or drinking in the work area and always wash your hands before eating or drinking. Excessive exposure to these materials may cause temporary irritation to eyes, skin and respiratory tract; wash hands thoroughly after handling the material.

To ensure that the release of RCF fibres is kept to a minimum a HEPA filtered vacuum is recommended to remove any dust accumulated in and around the appliance.

When servicing the appliance it is recommended that the replaced items are not broken up, but are sealed into heavy duty polythene bags and labelled as RCF waste. RCF waste is classed as stable, non-reactive, hazardous waste and may be disposed of at a licensed landfill site.

After cleaning the appliance or replacing parts, carefully re-assemble the ceramic components.

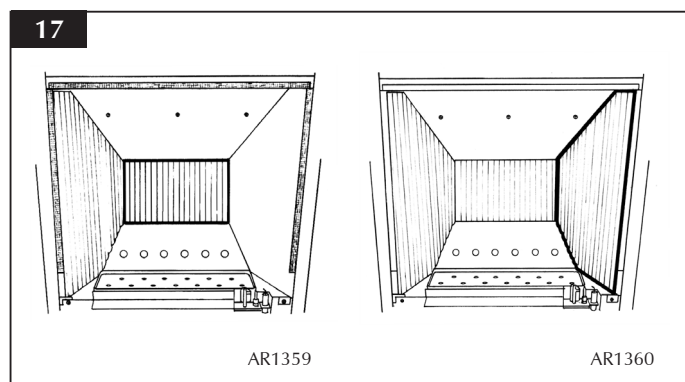
INSTALLATION INSTRUCTIONS

INSTALLATION

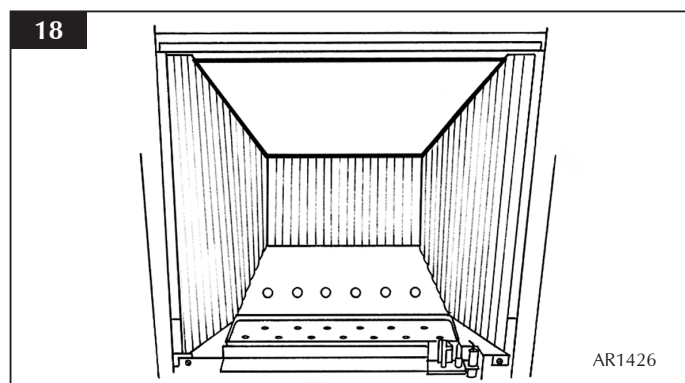
NOTE: CERAMIC PARTS ARE FRAGILE - HANDLE WITH CARE

ONLY USE THE CORRECT TYPE AND QUANTITY OF CERAMIC COMPONENTS

- 8.8 Place the rear panel against the rear of the box resting on the shelf.
- 8.9 Slide one of the side panels into the box ensuring it touches the rear panel.
- 8.10 Gently ease the front edge of the side panel behind the flange so it lies flat against the wall of the box.
- 8.11 Repeat with the second side panel (see Diagram 17).

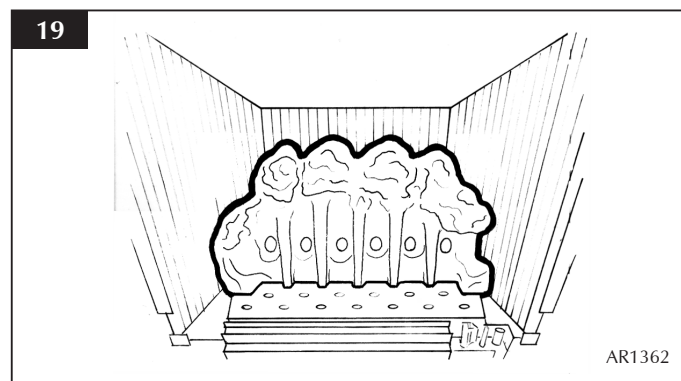


- 8.12 Locate the top panel on top of the sides and rear by lifting it up and forward inside the box.
- 8.13 Slide the panel backward and down behind the side panels to rest on the rear panel (see Diagram 18).

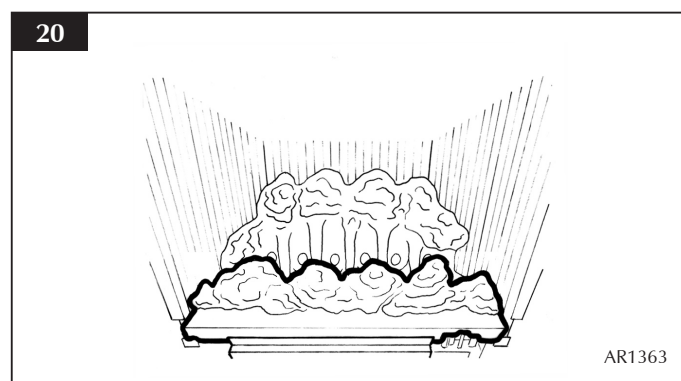


COAL LAYOUT

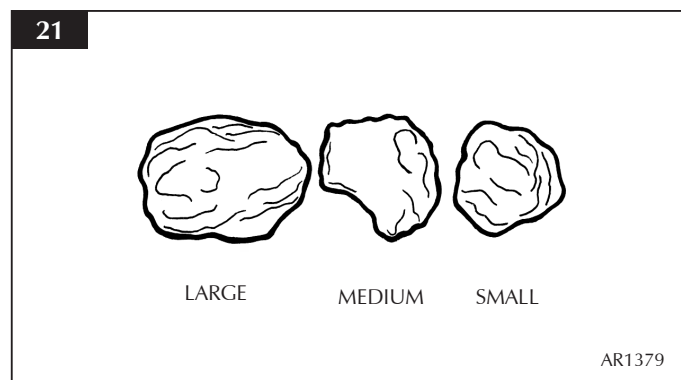
- 8.14 Position the flame baffle centrally on the tray and ensure the stepped lower edge engages against the rear edge of the burner skin (see Diagram 19).



- 8.15 Place the front coal centrally in the channel at the front of the tray. The relationship between the front coal and the flame baffle is shown in Diagram 20.



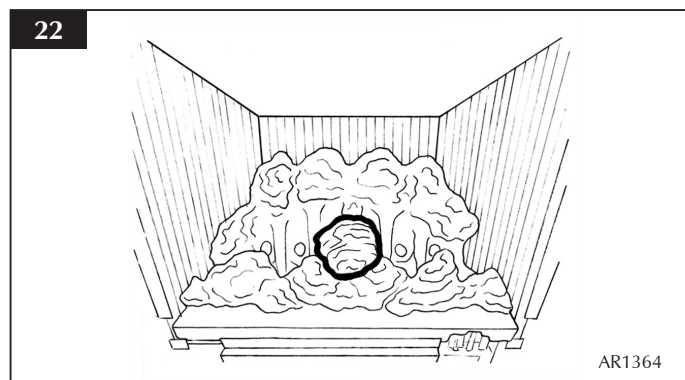
- 8.16 There are three sizes of coal used. Small x 3, medium x 4 and large x 1. For identification see Diagram 21.



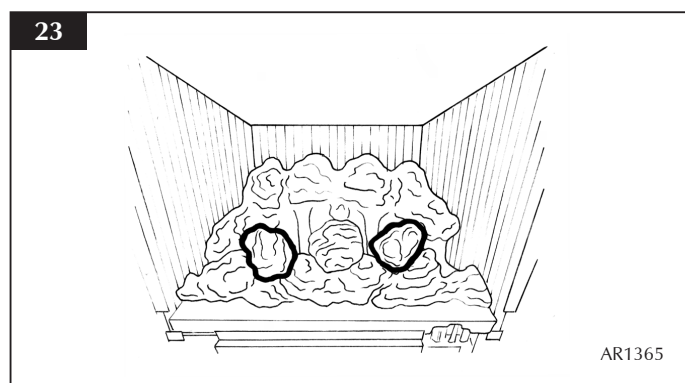
INSTALLATION INSTRUCTIONS

INSTALLATION

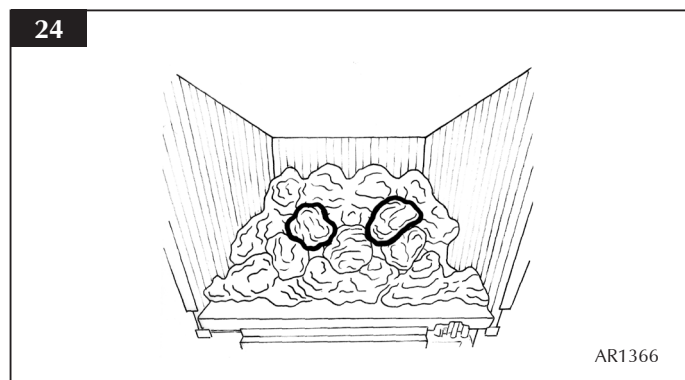
- 8.17 Place the single large coal in the central dent of the front coal, resting against the flame baffle (see Diagram 22).



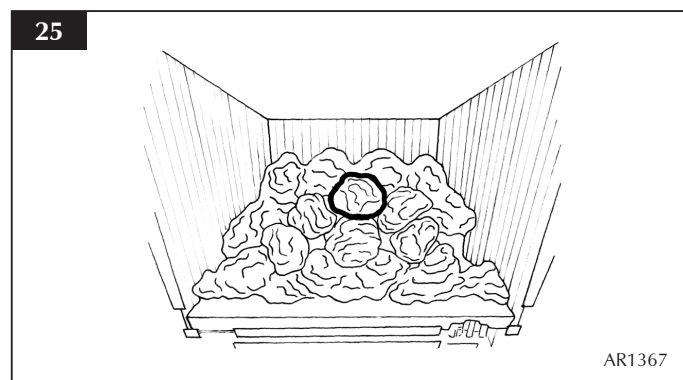
- 8.18 Place 2 medium-size coals either side of the first large coal in the recess between the flame baffle and the front coal (see Diagram 23).



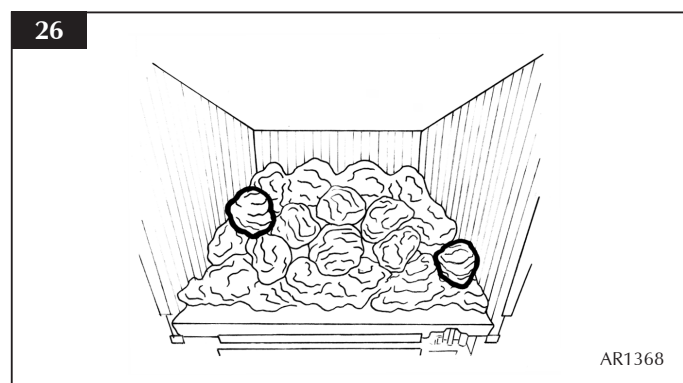
- 8.19 Place another two medium size coals behind the first three coals and against the flame baffle (see Diagram 24).



- 8.20 Place a small coal directly behind the first large coal and in between the centre of the last two medium coals, resting on the flame baffle (see Diagram 25).

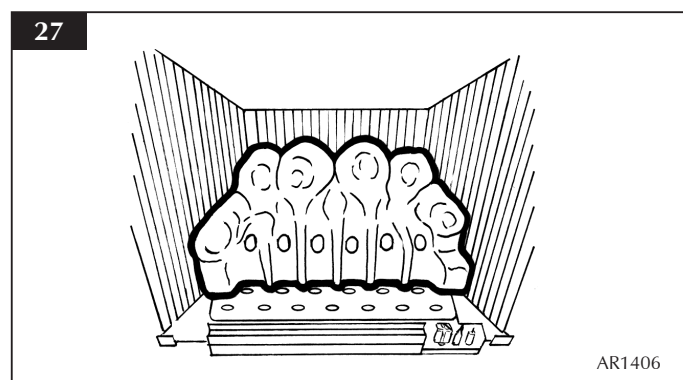


- 8.21 Place the last two small coals to the left and right hand side of the bed in the two spaces (see Diagram 26).



PEBBLE LAYOUT

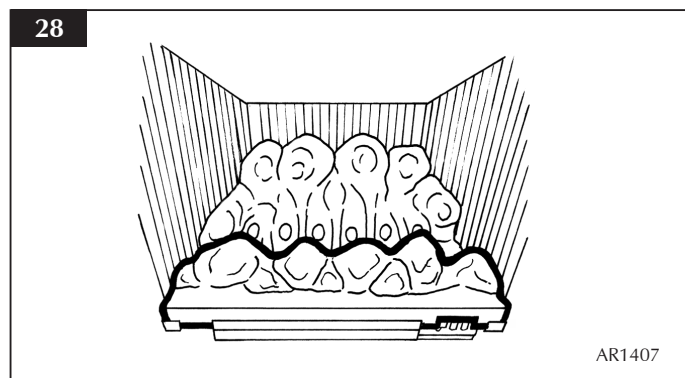
- 8.22 Position the pebble flame baffle centrally on the tray and ensure the stepped lower edge engages against the rear edge of the burner skin (see Diagram 27).



INSTALLATION INSTRUCTIONS

INSTALLATION

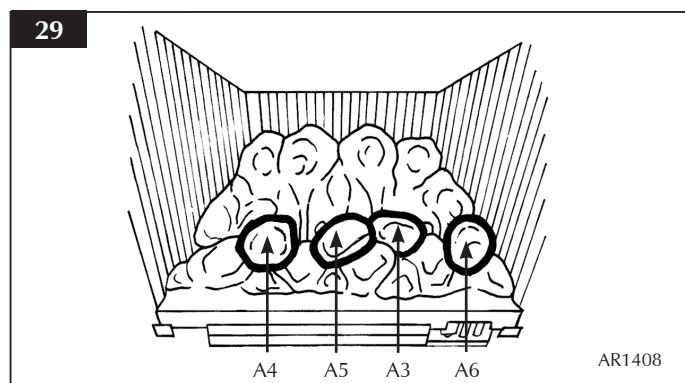
8.23 Place the front pebble piece centrally in the channel at the front of the tray (see Diagram 28).



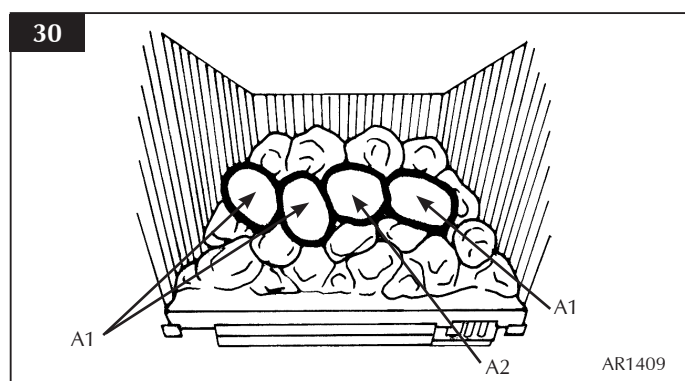
8.24 There are 10 loose pebbles in the set supplied. Each pebble is individually marked. The quantity of each type is shown below:

A1 x 3	A4 x 1
A2 x 1	A5 x 1
A3 x 3	A6 x 1

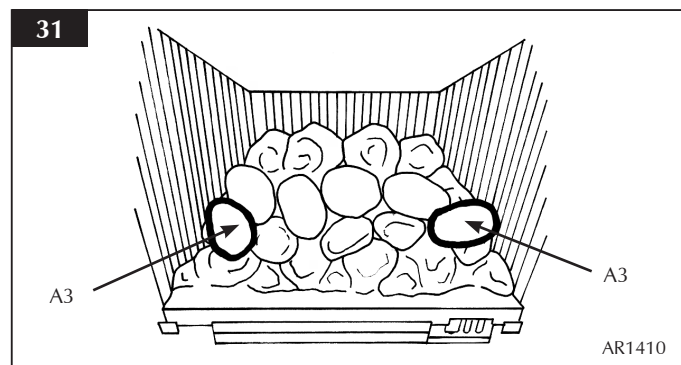
8.25 Place the four pebbles as identified resting between the front ceramic and the flame baffle as shown in Diagram 29.



8.26 Place the next four pebbles as shown resting between the flame baffle and the first row of pebbles (see Diagram 30).



8.27 Place the remaining two A3 pebbles as shown in Diagram 31.



8.28 The coals/pebbles should evenly cover the whole bed with the gaps between them kept equal. This will maximise the performance of the product.

8.29 **ENSURE THAT THE COALS/PEBBLES ARE POSITIONED AS ABOVE. ONLY USE THE CORRECT AMOUNT OF COALS/PEBBLES AS SPECIFIED IN THE DIAGRAMS.**

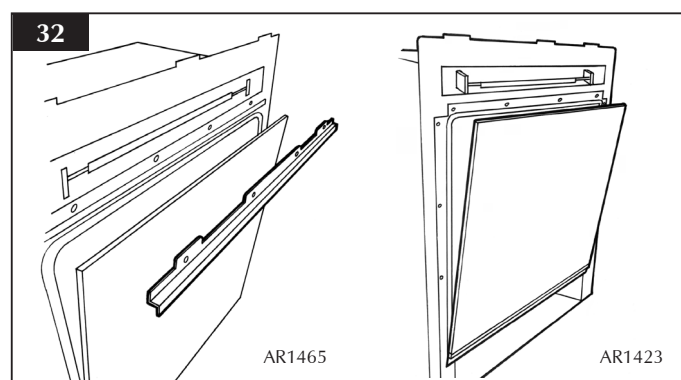
FITTING THE GLASS WINDOW

8.30 Ensure that the fibre glass window seal on the box is intact, then lower the glass window into the lower retaining bracket.

8.31 Hold the window and position the upper retaining bracket.

8.32 Secure using the 4 x screws.

8.33 Tighten the bottom and top screws to retain the window (see Diagram 32).



8.34 Refer to the separate frame instructions to replace the frame on the fire.

NEVER OPERATE THE APPLIANCE WHEN THE GLASS PANEL IS REMOVED OR BROKEN.

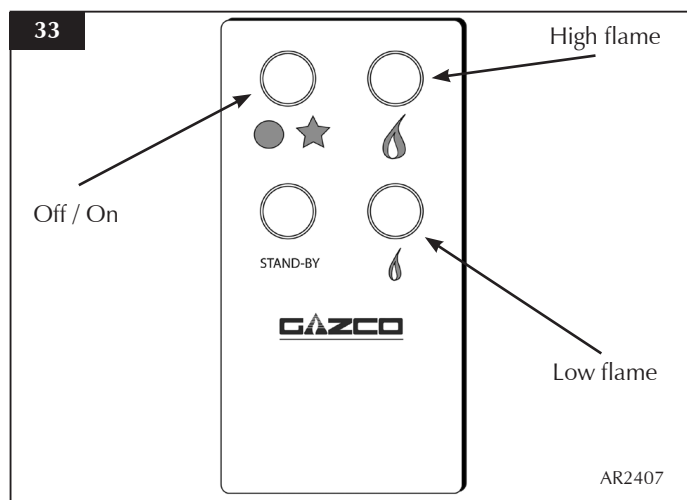
INSTALLATION INSTRUCTIONS

INSTALLATION

9A. LIGHTING THE APPLIANCE

The appliance can be operated manually or by remote control. A beep can be heard each time a button is pressed on either control. To operate the appliance manually:

- 9.1 The manual control touch pad is located on the front of the appliance. To access the touch pad please refer to the separate frame instructions (supplied with frame). The orientation of the control pad in Diagram 33 has been altered for ease of viewing.
- 9.2 One button turns the appliance both On and Off (see Diagram 33). Press and hold for approximately 3 seconds to ignite the fire. The pilot will light and the fire will ignite after approximately 10 seconds. The fire will be automatically set to high flame.
- 9.3 To switch from high flame to low flame press the low flame button once (see Diagram 33).
- 9.4 To switch directly back to high flame press the high flame button once (see Diagram 33).



- 9.5 To gradually decrease the flame height press and hold the low flame button until the desired setting is reached (see Diagram 33).
- 9.6 To gradually increase the flame height press and hold the high flame button until the desired setting is reached (see Diagram 33).
- 9.7 The flame height can now be moved through the range of settings by pressing and holding the high flame button to increase flame height or the low flame button to decrease flame height as desired.
- 9.8 If the appliance is in Stand-by mode (see Section 9B) press the high flame button once to ignite the fire. The flame height can then be adjusted as described above.

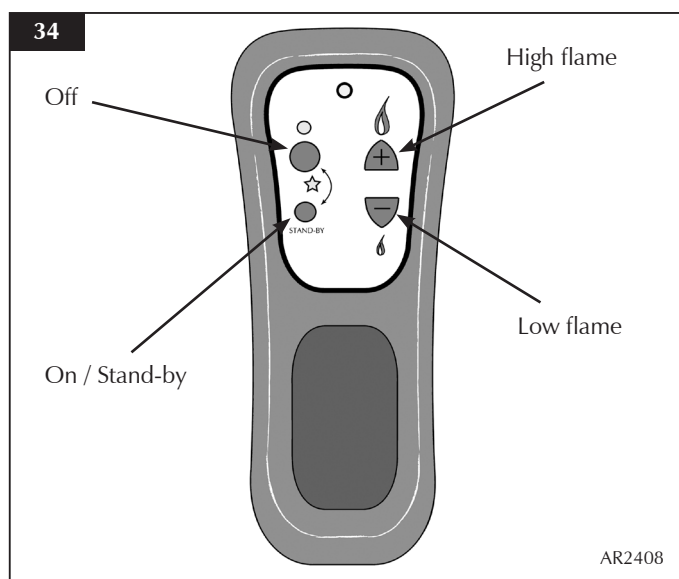
9B. TURNING THE APPLIANCE OFF - MANUAL CONTROL

- 9.9 To turn the fire off but leave the pilot lit press the Stand-by button once (see Diagram 33).
- 9.10 To turn the appliance off completely press the On / Off button once (see Diagram 33).

10A. LIGHTING THE APPLIANCE - REMOTE CONTROL

The remote control sends signals to an infrared sensor which must be mounted on the appliance. Refer to the separate frame instructions for details on installing the sensor. To operate the appliance using the remote control handset:

- 10.1 The remote control handset has a two button ignition safety feature. To light the fire press both the On / Standby button and the Off button at the same time (see Diagram 34). The pilot will light and the fire will ignite after approximately 10 seconds. The fire will be automatically set to high flame.
- 10.2 To switch from high flame to low flame press the low flame button once (see Diagram 34).
- 10.3 To switch directly back to high flame press the high flame button once (see Diagram 34).



- 10.4 To decrease the flame height press and hold the low flame button until the desired setting is reached (see Diagram 34).
- 10.5 To increase the flame height press and hold the high flame button until the desired setting is reached (see Diagram 34).

INSTALLATION INSTRUCTIONS

INSTALLATION / COMMISSIONING

- 10.6 The flame height can now be moved through the range of settings by pressing and holding the high flame button to increase flame height or the low flame button to decrease flame height as desired.
- 10.7 If the appliance is in Stand-by mode (see Section 10B) press the high flame button once to ignite the fire. The flame height can then be adjusted as described above.

10B. TURNING THE APPLIANCE OFF - REMOTE CONTROL

- 10.8 To turn the fire off but leave the pilot lit press the On / Stand-by button once (see Diagram 34).
- 10.9 To turn the appliance off completely press the Off button once (see Diagram 34).

11. COMMISSIONING

- 11.1 Check all ceramics, doors etc.
- 11.2 Check flame picture.
- 11.3 Check gas pressure.

SERVICING INSTRUCTIONS

SERVICING

1. SERVICING REQUIREMENTS

IMPORTANT – The glass panel on this appliance should be checked for any signs of damage on the front face of the glass panel (scratches, scores, cracks or other surface defects). If damage is observed, the glass panel must be replaced and the appliance must not be used until a replacement is installed. Under no circumstances should the appliance be used if any damage is observed. Please isolate the appliance until a replacement glass panel has been obtained and installed. Replacement glass panels can be purchased from Gazco via the retailer from which the appliance was purchased or any other Gazco distributor.

This appliance must be serviced at least once a year by a competent person.

All tests must be serviced by best practice as described by the current Gas Safe recommendations.

- 1.1 Before any tests are undertaken on the appliance, conduct a gas soundness test for the property to ensure that there are no gas leaks prior to starting work.
- 1.2 Before any tests are undertaken on the appliance it is also recommended to fully check the operation of the appliance.
- 1.3 Special checks:
 - 1.3.1 Clean any lint or fluff from the pilot - pay particular attention to the aeration hole in the side of the pilot.
 - 1.3.2 Clean away any fluff or lint from under the burner.
 - 1.3.3 Check that the spark gap on the pilot is correct.
- 1.4 Correct any faults found during the initial tests and then recommission the appliance conducting the usual safety checks.
- 1.5 Advise the customer of any remedial action taken.

ELECTRONIC CONTROL VALVE FAULT ANALYSIS

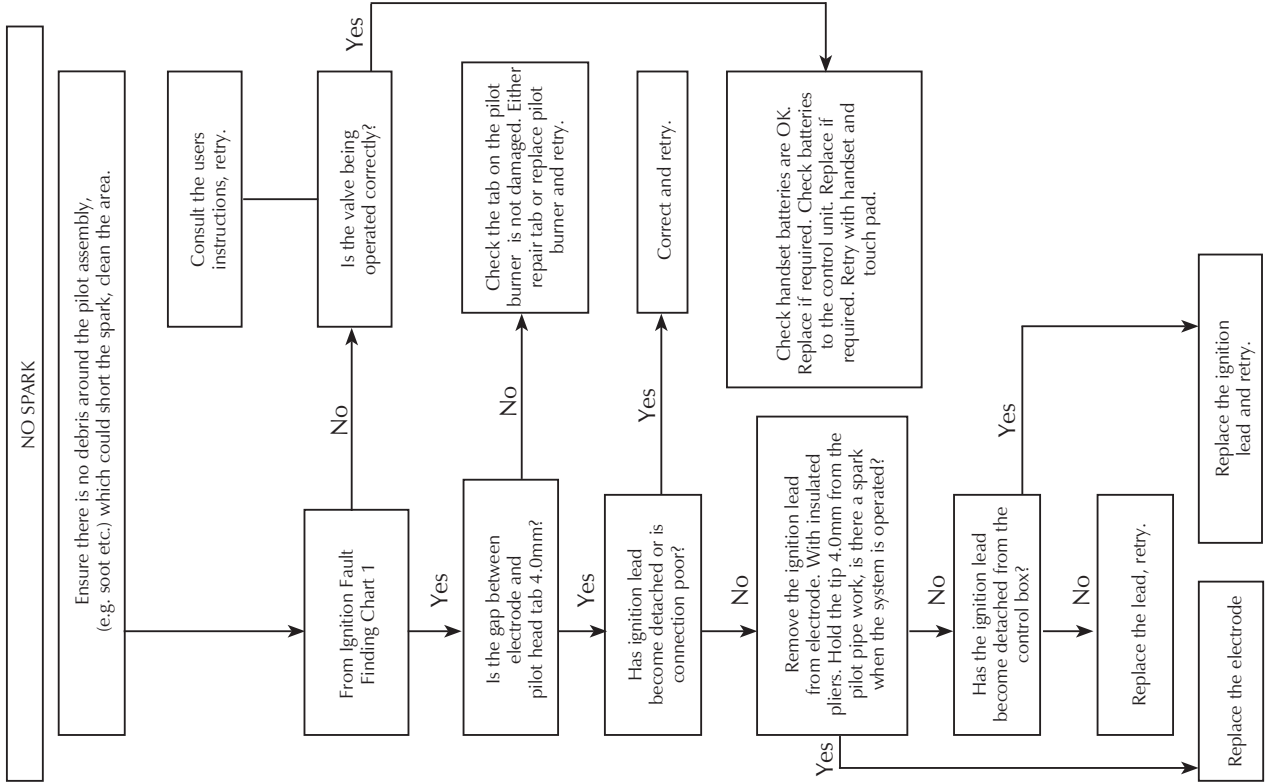
If the batteries are low or there is a problem with certain parts of the appliance a series of beeps will be heard. The beeps will continue until the batteries are disconnected and/or replaced. Please refer to the trouble shooting table below for diagnosis:

Sound Alarm (no. of beeps)	Failure	Action
3	Touch pad failure	Replace the touch pad.
4	Valve motor failure	Replace the valve. Ignite the fire and check sound has stopped.
5	Control box driver leakage	Replace the control box. Ignite the fire and check sound has stopped.
6	Battery voltage too low for system to operate	Replace the batteries (see User Instructions, Section 5). Before reinserting battery pack ensure the beeps have stopped, wait 5 seconds then reinsert pack. If, after replacing batteries, the beep does not stop ignite the fire to clear the problem.
7	Low Battery	Replace the batteries (see User Instructions, Section 5). Before reinserting battery pack ensure the beeps have stopped, wait 5 seconds then reinsert pack. If, after replacing batteries, the beep does not stop ignite the fire to clear the problem.

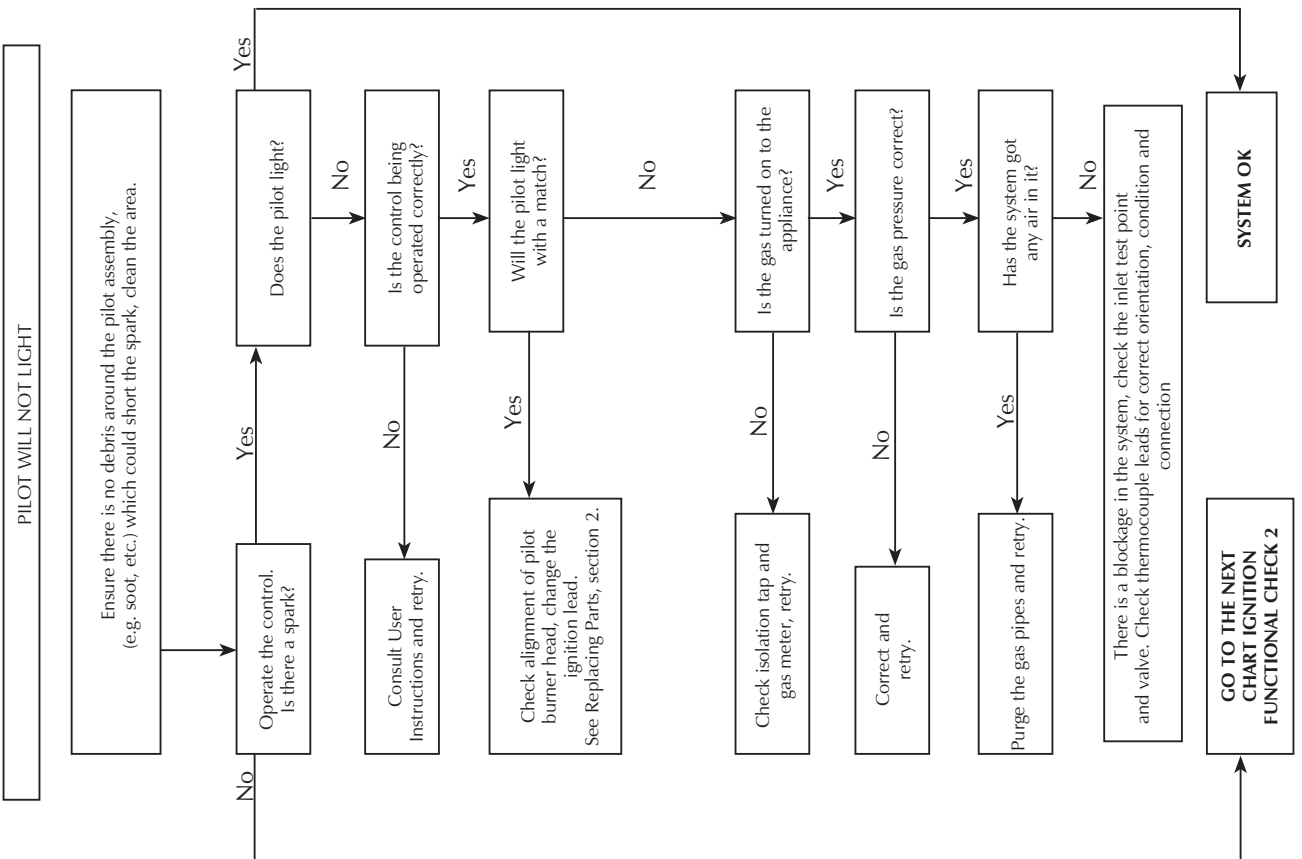
SERVICING INSTRUCTIONS

FAULT FINDING CHARTS

IGNITION FUNCTIONAL CHECK 2



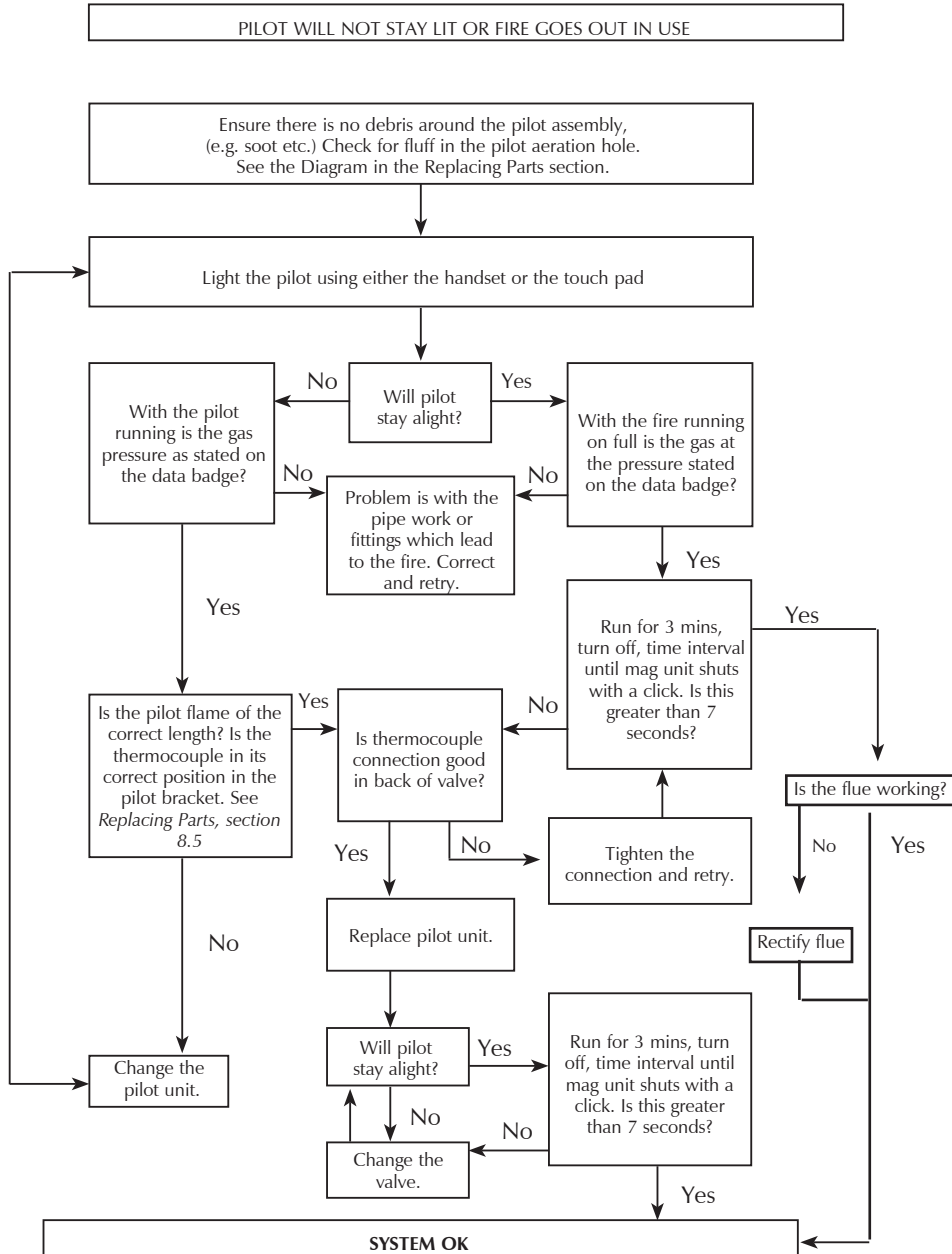
IGNITION FUNCTIONAL CHECK 1



SERVICING INSTRUCTIONS

FAULT FINDING CHARTS

FLAME FAILURE FUNCTIONAL CHECK 3



SERVICING INSTRUCTIONS

REPLACING PARTS

1. GENERAL

- 1.1 All principal components can be replaced without moving the appliance, although it is essential that the gas supply to the appliance is turned off at the isolation device before proceeding further.
- 1.2 Before replacing some of the components it will be necessary to remove the burner assembly from the appliance by following the instructions below.
- 1.3 If for any reason the flue has to be removed from the appliance, the seal must be replaced in the inner spigot.

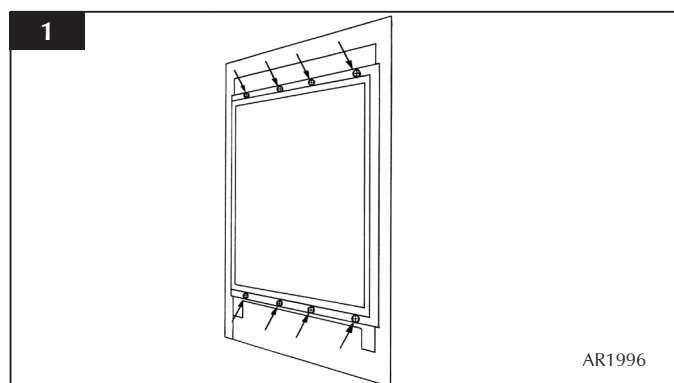
2. REMOVING THE BURNER UNIT

Ensure the appliance is cold before proceeding.

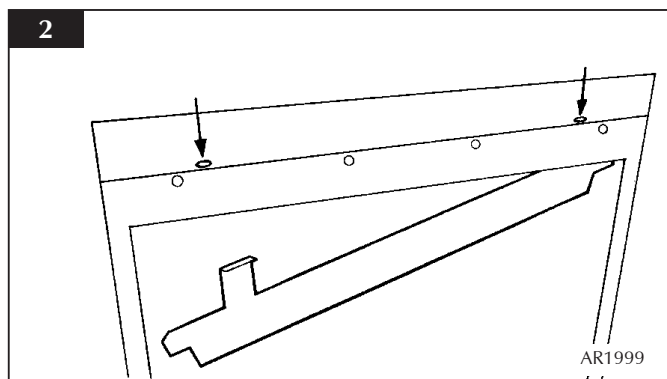
- 2.1 Turn the gas supply off at the isolation device. Then disconnect the supply pipe.
- 2.2 Remove the frame from the appliance by referring to the separate instructions supplied with the frame.
- 2.3 To remove the burner it is **not** necessary to remove the control box.

2A. E-STUDIO

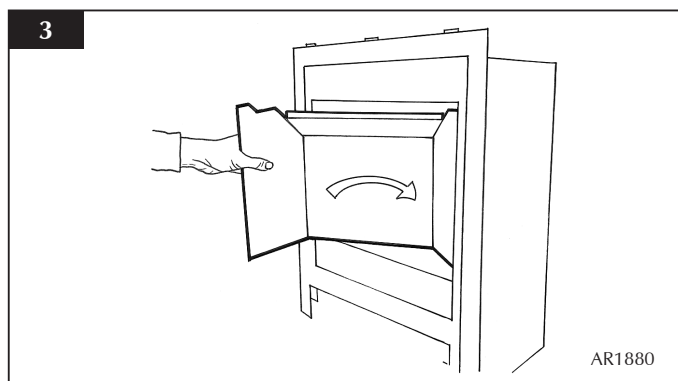
- 2.3 Remove the one-piece glass window frame by removing the eight fixing screws (see Diagram 1).



- 2.4 Remove the granite chippings from the appliance.
- 2.5 Remove the top inner baffle by unscrewing the two fixing screws located on the front edge of the top plate (see Diagram 2).

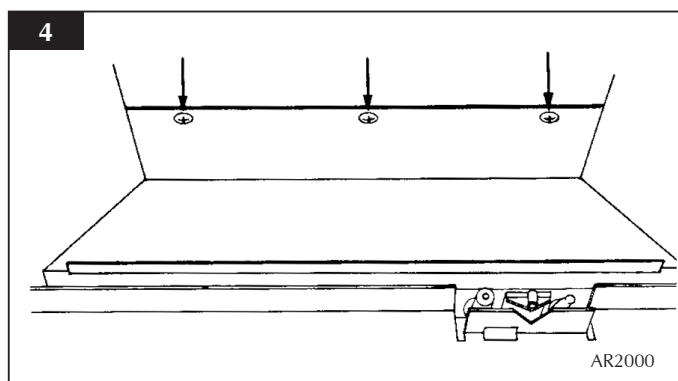


- 2.6 Carefully remove the enamel back panel by rotating it out of the firebox (see Diagram 3).



TAKE EXTREME CARE WHILST REMOVING THESE PANELS NOT TO SCRATCH OR CHIP THE PANEL ON THE SIDES OF THE FIREBOX

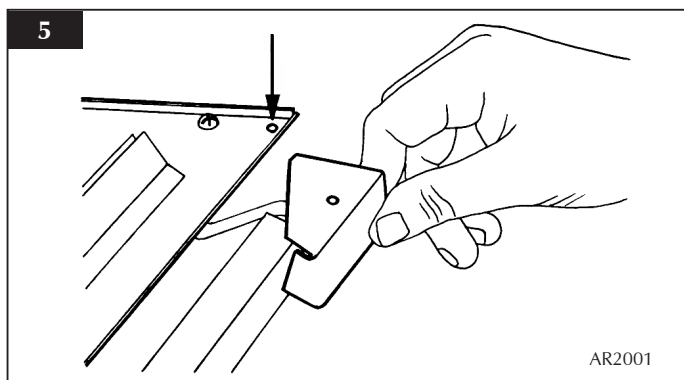
- 2.7 Unscrew the 3 fixings in the rear liner support (see Diagram 4) and lift this part out of the appliance.



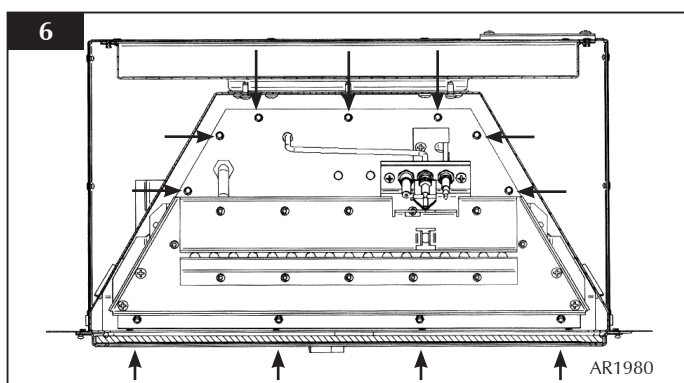
- 2.8 Remove the left and right-hand burner baffle brackets by unscrewing the two fixings located on the burner tray top (see Diagram 5).

SERVICING INSTRUCTIONS

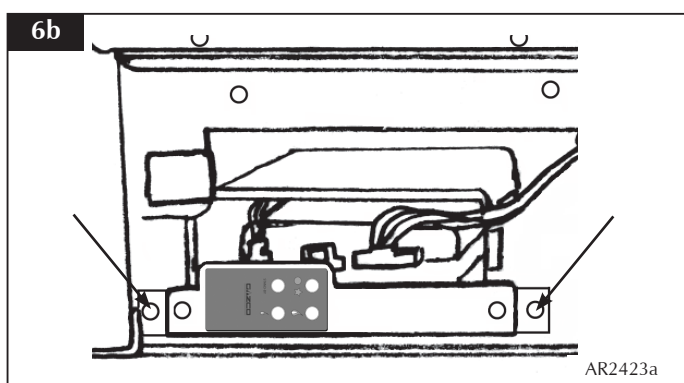
REPLACING PARTS



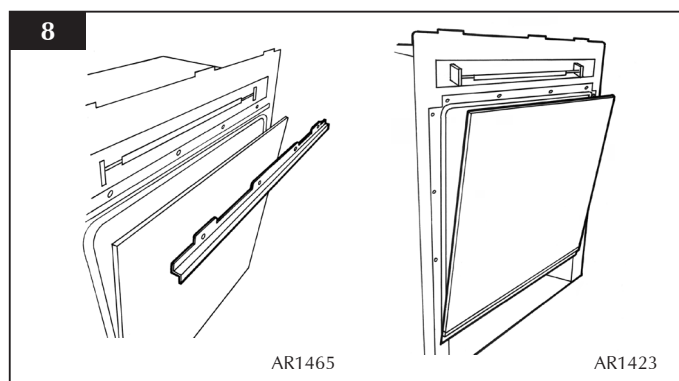
2.9 Remove the 11 x screws that fix the burner assembly into the appliance (see Diagram 6).



2.10 Remove the 11 x screws that fix the burner assembly into the appliance (see Diagram 6a). Remove the 2 x outer screws to release the control box cassette (see Diagram 6b). The burner assembly can now be removed by lifting it up and out of the appliance.



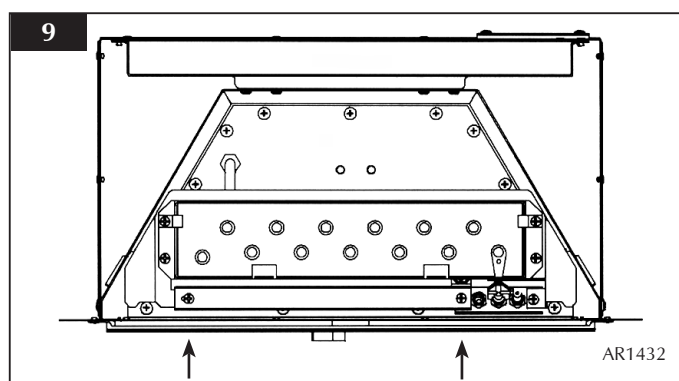
2.11 Remove the glass window by loosening the four screws in the lower retaining bracket then remove the four top screws and retaining bracket. The glass window can now be lifted clear (see Diagram 8).



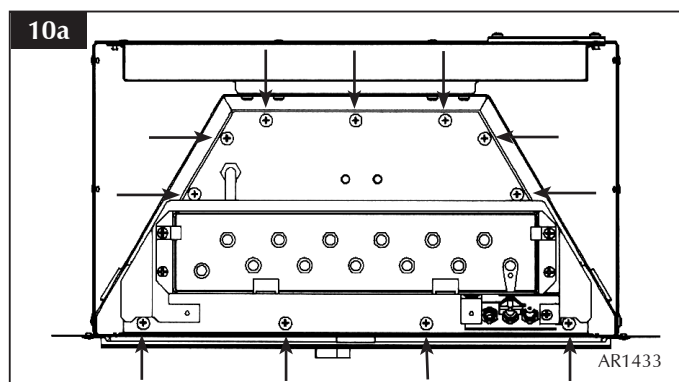
2.12 Remove the ceramic coals and fuel bed and place on a dry clean surface.

2.13 Remove the ceramic panels from inside the appliance.

2.14 Remove the two screws securing the front U channel on the burner assembly. This is to gain access to the burner retaining screws (see Diagram 9).

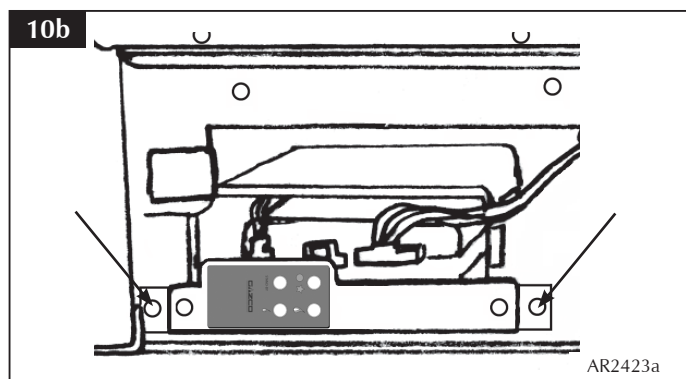


2.15 Remove the 11 x screws that fix the burner assembly into the appliance (see Diagram 10a). Remove the 2 x outer screws to release the control box cassette (see Diagram 10b). The burner assembly can now be removed by lifting it up and out of the appliance.

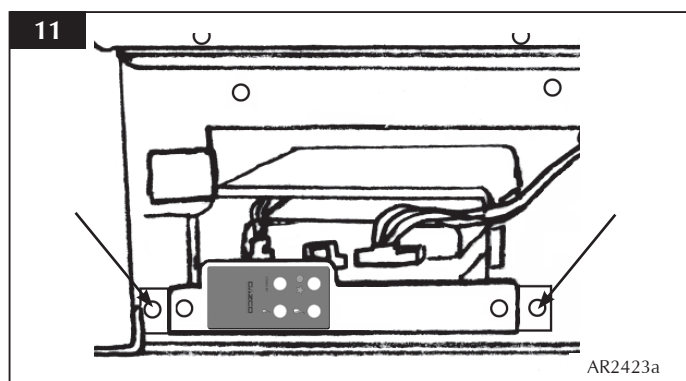


SERVICING INSTRUCTIONS

REPLACING PARTS



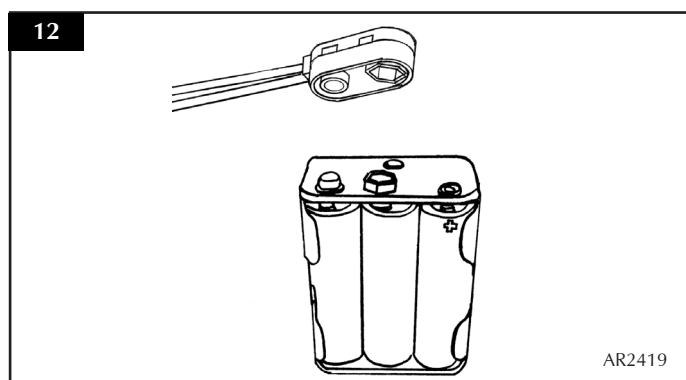
- 2.16 Remove the 2 x outer screws to release the control box cassette (see Diagram 11). The burner assembly can now be removed by lifting it up and out of the appliance.



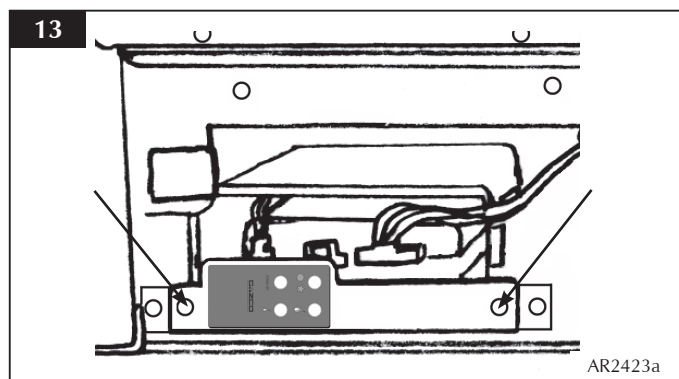
IMPORTANT - WHEN REFITTING THE BURNER UNIT INTO THE APPLIANCE BE CAREFUL NOT TO TRAP ANY OF THE CONTROL BOX CABLES.

3. E-STUDIO & E-BOX CONTROL BOX

- 3.1 Disconnect the battery pack from its cable (see Diagram 12).



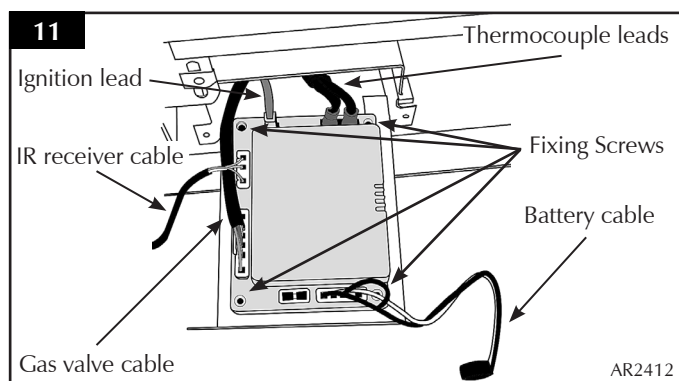
- 3.2 Undo the 2 x screws on the front of the control box housing (see Diagram 13).



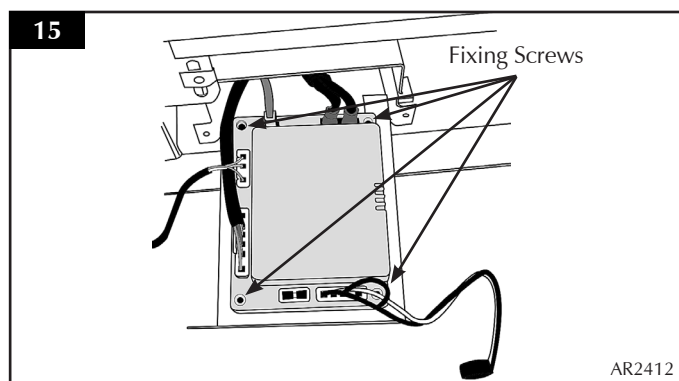
- 3.3 Pull the control box forward and disconnect the following cables (see Diagram 11):

- Gas valve cable
- Infrared receiver cable
- Ignition lead
- Thermocouple leads (x2)

Remove the 4 x fixing screws securing the control box to the tray (see Diagram 11).



- 3.4 Remove the 4 x fixing screws securing the control box to the tray (see Diagram 15).



- 3.5 Remove control box and replace with new, ensuring all cables are connected in the correct orientation.

SERVICING INSTRUCTIONS

REPLACING PARTS

4. PILOT UNIT

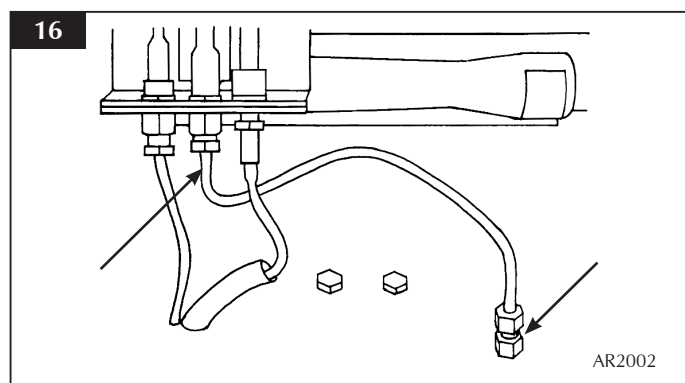
4.1 The pilot unit assembly consists of three components which can be individually changed, these are:-

- 1) Pilot Injector
- 2) Electrode
- 3) Thermocouple

Note: On the E-Box, access is provided for the removal of the pilot without removing the engine assembly. It is easier, however, to change the pilot by removing the whole assembly.

5A. PILOT INJECTOR - E-STUDIO

5.1 Undo the pilot pipe from the bulkhead fitting and from the underside of the pilot unit (see Diagram 16).



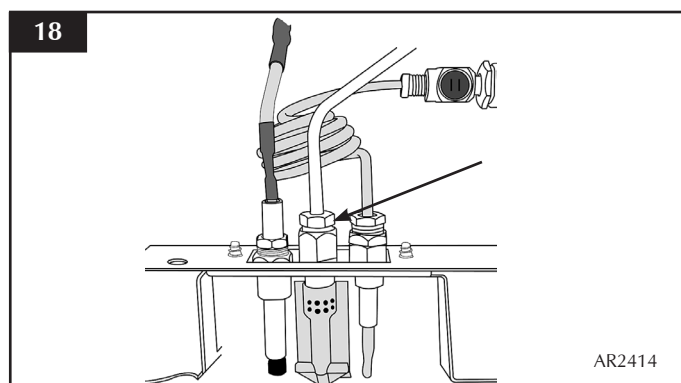
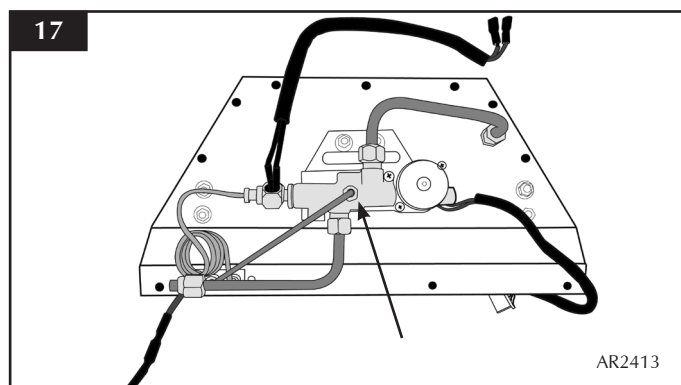
5.2 Remove the pipe and the injector drops out from the pilot unit. Take care not to loose or damage the injector.

To replace the injector:

- 5.3 Reverse the above procedure.
- 5.4 Check for gas leaks.

5B. PILOT INJECTOR - E-BOX

5.5 Undo the pilot pipe from the gas valve and from the under side of the pilot unit (see Diagrams 17 & 18).



5.6 Remove the pipe and the injector drops out from the pilot unit. Take care not to loose or damage the injector.

To replace the injector:

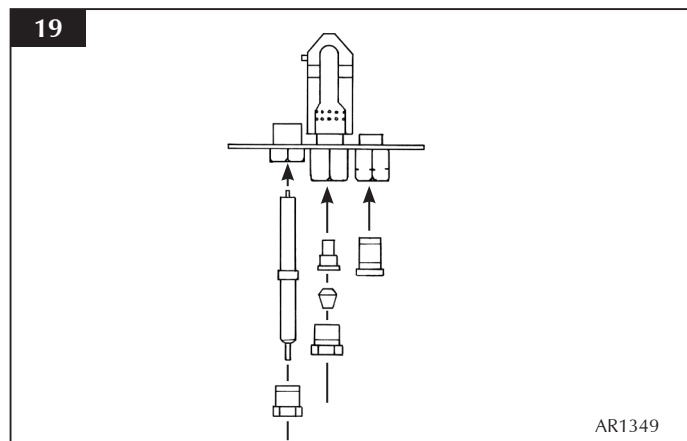
- 5.7 Reverse the above procedure.
- 5.8 Check for gas leaks.

SERVICING INSTRUCTIONS

REPLACING PARTS

6. ELECTRODE

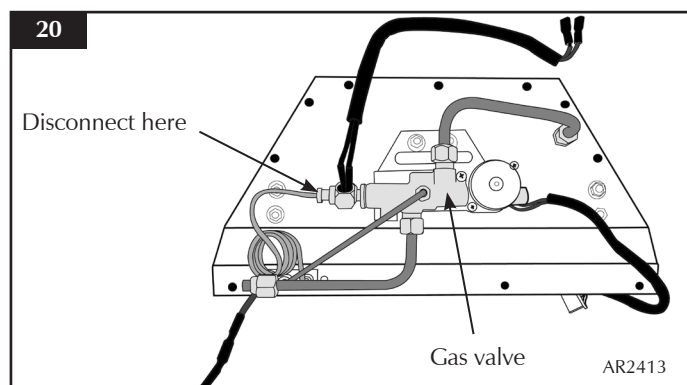
- 6.1 Pull the ignition lead from the electrode and undo the retaining nut (see Diagram 19).



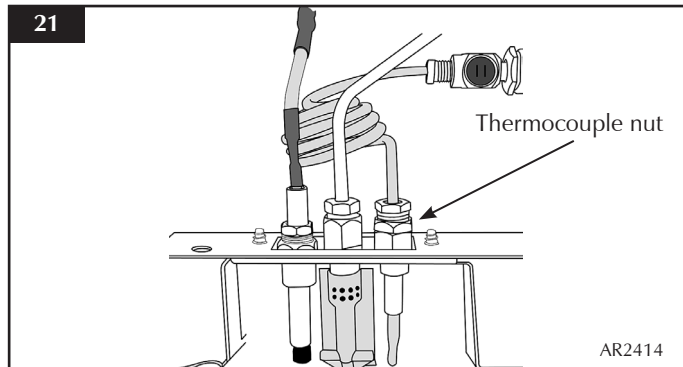
- 6.2 Replace with new electrode. Do not over tighten the nut as this could break the new component.
- 6.3 Replace the ignition lead.

7. THERMOCOUPLE

- 7.1 Disconnect the thermocouple from the gas valve (see Diagram 20).



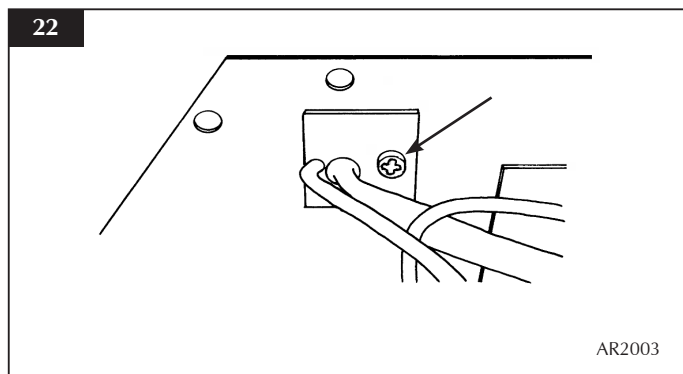
- 7.2 Undo the thermocouple nut in the pilot unit by half a turn (see Diagram 21). This will release the thermocouple.



For E-Studio:

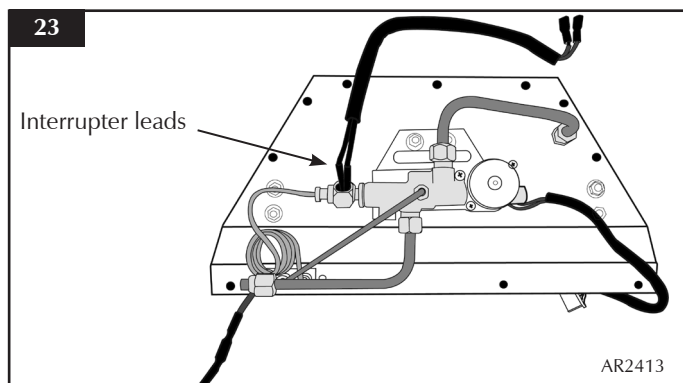
- 7.3 Remove the sealing plate (see Diagram 22) by removing the pozi-head screw.

NOTE: The sealing plate needs to be re-sealed after the new thermocouple is fitted.



WHEN REPLACING WITH A NEW THERMOCOUPLE TAKE CARE TO BEND THE NEW COMPONENT TO THE EXACT SHAPE OF THE ORIGINAL ONE

- 7.4 When replacing the thermocouple into the pilot unit ensure the component is pushed fully into the hole. There is a stop on the thermocouple to set the height.
- 7.5 Lock the retaining nut just enough to grip the thermocouple.
- 7.6 Ensure the interrupter leads are firmly in place when tightening the thermocouple lead (see Diagram 23).

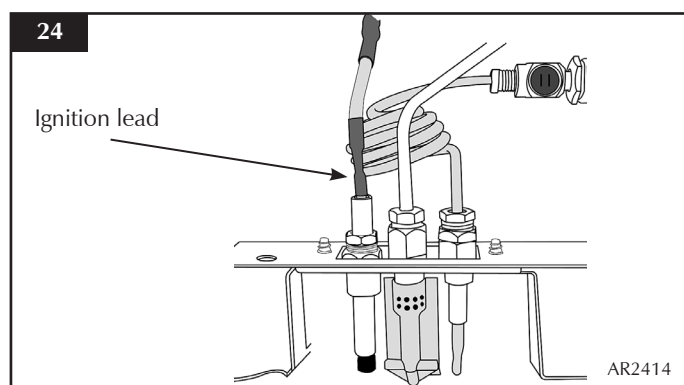


SERVICING INSTRUCTIONS

REPLACING PARTS

8. IGNITION LEAD

- 8.1 Remove the burner unit referring to *Replacing Parts, Section 2*.
- 8.2 Disconnect the ignition lead from the control box and electrode (see Diagram 24). (For **E-Studio**, the sealing plate also needs to be removed, see Diagram 22.)



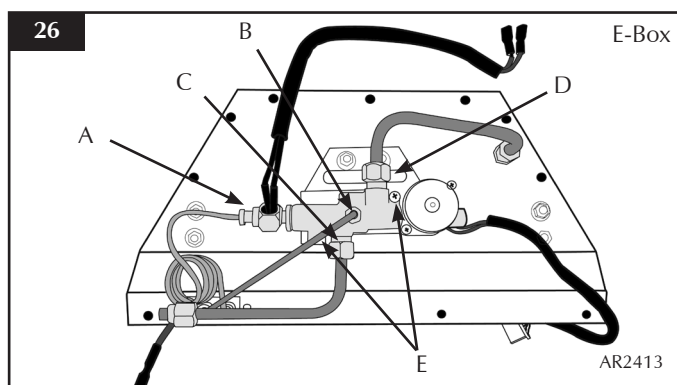
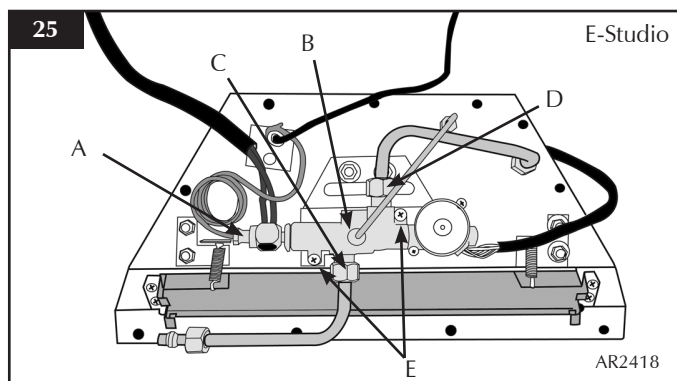
- 8.3 Replace with a new ignition lead following the same route as the old one. (For **E-Studio**, replace the sealing plate and re-seal with relevant sealant.)
- 8.4 Refit the burner unit.
- 8.5 Replace the fire frame.

9. PIEZO

- 9.1 The piezo assembly used on this appliance is not serviceable and is unlikely to fail. If a new piezo is required it will be necessary to change the control box referring to *Replacing Parts, Section 3*.

10. GAS VALVE

- 10.1 Remove the thermocouple from the gas valve (see Diagram 21, arrow A).
- 10.2 Undo the pilot pipe from the gas valve (see Diagram 21, arrow B).
- 10.3 Undo the inlet pipe from the gas valve (see Diagram 21, arrow C).
- 10.4 Undo the feed pipe from the gas valve (see Diagram 21, arrow D).
- 10.5 Undo the two screws securing the gas valve to the bracket (see Diagrams 25 & 26, arrows E).



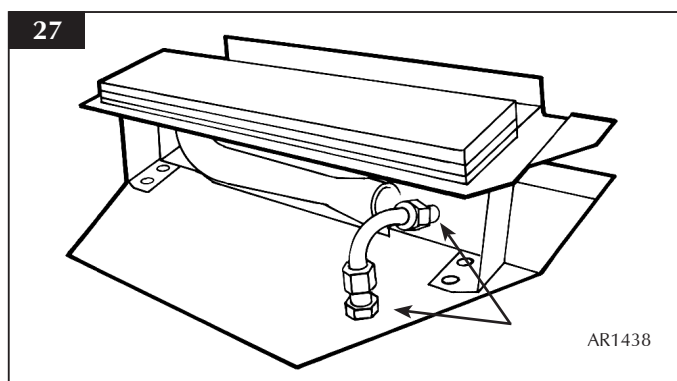
The valve can now be removed.

11. MAG UNIT

- 11.1 The mag unit cannot be removed individually. To replace the mag unit the gas valve must be changed (see Section 9).

12. MAIN INJECTOR

- 12.1 Undo the two nuts securing the injector pipe (see Diagram 27).



- 12.2 Rotate the injector until it is fully removed.

SERVICING INSTRUCTIONS

SPARE PARTS

12.3 Replace with the correct replacement injector. When ordering, always state the model, gas type and serial number.

12.4 Reassemble and turn the gas supply on, check for any leaks.

12. CHANGING BETWEEN GAS TYPES

The following parts must be changed when converting an appliance from one gas type to another:

	E-BOX		E-STUDIO	
BURNER ASSEMBLY	NG	GZ8740	NG	GZ8738
	LPG	GZ8741	LPG	GZ8739
DATA BADGE	PR0393EBBF-SIT			

Note: The control valve will be set for the particular appliance and gas type. In all instances, when ordering new parts, be sure to quote the appliance type and serial number.

Use only genuine Gazco replacement parts. Non-standard components will invalidate the guarantee and may be dangerous.

13A. SPARE PARTS LIST - E-STUDIO

PART DESCRIPTION	PART NUMBER
Stone chippings	CE0732
Vitreous Enamel Liner	GZ6847
NATURAL GAS PARTS	
Main Burner Injector	IN0060
Pilot Assembly	PI0069
Aeration Plate	GZ3966
LPG PARTS	
Main Burner Injector	IN0066
Pilo Assembly	PI0070
MISCELLANEOUS PARTS	
Gas Valve	GC0163
Ignition Lead	EL0480
Window Seal	FA0461
Thermocouple	PI0074
Burner Tray Gasket	CE0513

13B. SPARE PARTS LIST - E-BOX

CERAMIC PARTS	COAL	PEBBLE
Front Coal / Pebble	CE0490	CE0502
Flame Baffle	CE0491	CE0503
Side Panel LH	CE0518	CE0562
Side Panel RH	CE0519	CE0563
Rear Panel	CE0497	CE0517
Top Panel	CE0523	CE0552
Coal Set / Pebble Set	CE0496	CE0504
NATURAL GAS PARTS		
Main Injector	IN0001	
Pilot Assembly	PI0069	
Aeration Plate (NG)	GZ3966	
LPG PARTS		
Main Injector	IN0056	
Pilot Assembly	PI0070	
Aeration Plate (LPG)	GZ2016	
MISCELLANEOUS		
Gas Valve	GC0163	
Ignition Lead	EL0480	
Window Seal	FA0461	
Burner Cover Gasket	CE0528	
Burner Tray Gasket	CE0513	
Battery Box	EL0484	
Battery Lead	EL0482	
Infrared Sensor Lead	EL0471	
Touch Pad Lead	EL0478	
Touch Pad	EL0476	
Remote Handset	EL0472	

SERVICE RECORDS

1ST SERVICE

Date of Service:.....

Next Service Due:.....

Signed:.....

Retailer's Stamp/Gas Safe Registration Number

3RD SERVICE

Date of Service:.....

Next Service Due:.....

Signed:.....

Retailer's Stamp/Gas Safe Registration Number

5TH SERVICE

Date of Service:.....

Next Service Due:.....

Signed:.....

Retailer's Stamp/Gas Safe Registration Number

7TH SERVICE

Date of Service:.....

Next Service Due:.....

Signed:.....

Retailer's Stamp/Gas Safe Registration Number

9TH SERVICE

Date of Service:.....

Next Due:.....

Signed:.....

Retailer's Stamp/Gas Safe Registration Number

2ND SERVICE

Date of Service:.....

Next Service Due:.....

Signed:.....

Retailer's Stamp/Gas Safe Registration Number

4TH SERVICE

Date of Service:.....

Next Service Due:.....

Signed:.....

Retailer's Stamp/Gas Safe Registration Number

6TH SERVICE

Date of Service:.....

Next Service Due:.....

Signed:.....

Retailer's Stamp/Gas Safe Registration Number

8TH SERVICE

Date of Service:.....

Next Due:.....

Signed:.....

Retailer's Stamp/Gas Safe Registration Number

10TH SERVICE

Date of Service:.....

Next Service Due:.....

Signed:.....

Retailer's Stamp/Gas Safe Registration Number

Gazco Limited, Osprey Road, Sowton Industrial Estate, Exeter, Devon, England EX2 7JG
Tel: Technical Customer Services (01392) 261950 Fax: (01392) 261951
E-mail: technicalservices@gazco.com

A member of the Stovax Group