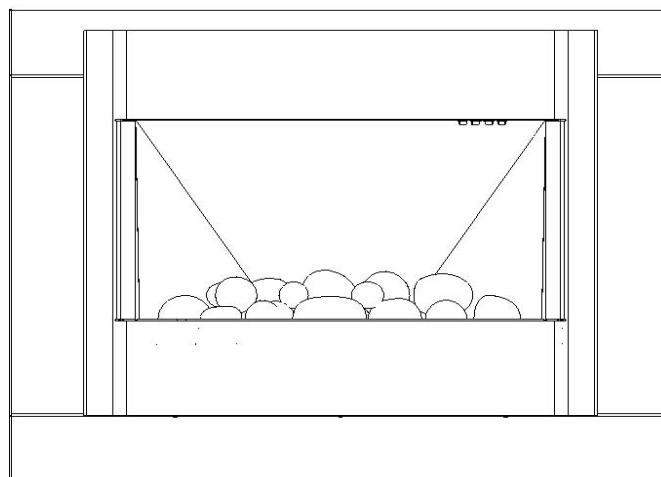




UMBRIA

WALL MOUNTED ELECTRIC HEATER



INSTALLATION and USER INSTRUCTIONS

**Read and understand these instructions completely before commencing any assembly or installation.
Check that all components are included in the pack.**

Revision A - 06/07

Next Retail Ltd, Desford Road, Enderby, Leicester, LE19 4AT
Helpline Tel: 084 484 48999



Section	Contents	Page No.	Section	Contents	Page No.
1.0	Important Notes	1	7.0	Fixing the Appliance	3
2.0	Installation Requirements	1	8.0	Operating the Appliance	4
3.0	Appliance Data	1	8.1	Safety Cut-Out System	4
4.0	Unpacking the Appliance	2	9.0	Maintenance/Serviceing	5
4.1	Component Checklist	2	10.0	Cleaning	5
5.0	Appliance Assembly	2	11.0	Spares	5
6.0	Site Requirements	2	12.0	Product Views & Dimensions	6

Except where otherwise stated, all rights, including copyright in the text, images and layout of this booklet is owned by Focal Point Fires plc. You are not permitted to copy or adapt any of the content without the prior written permission of Focal Point Fires plc.

1.0

IMPORTANT NOTES: DO NOT

- use this appliance immediately below a fixed socket outlet.
- use this appliance in the immediate vicinity of a bath, shower, swimming pool or other area where water or moisture could present a hazard.
- mount on a ceiling or floor.
- recess any part of the appliance into the wall.
- site in a position where curtains or drapes could cover the appliance.
- site in a position where other soft materials could cover the appliance e.g. below a coat rack.
- site behind an opening door where mechanical impact/damage could occur.
- site where the supply cable would become a trip hazard.
- sit, stand or forcefully pull on the appliance.
- obstruct, cover or force items into the openings.
- use the heater to dry clothes.
- site/use in an outdoor location(s).
- run the supply cable under carpets.
- use if the supply cord/plug shows signs of damage.

IMPORTANT THIS APPLIANCE MUST BE EARTHED

The manufacturer declines all liabilities for injury to persons, or damage to property, resulting from failure to observe this regulation, and/or failure to follow or observe these instructions.

CAUTION: This appliance must not be used in conjunction with any timer, programmer or thermal control, or any other device that will switch on the appliance automatically, as a fire risk may occur if the heaters are accidentally covered or displaced.

Do not allow the heater to be covered as this may cause overheating. The appliance must not be placed near curtains or similar material. A clearance space of at least one metre should be allowed in front of the appliance.

The electrical socket that the appliance uses MUST be easily accessible. Do not route the supply cord directly in front of the heater unit. If the cord is damaged, it must be replaced by a service agent or competent person.

2.0

INSTALLATION REQUIREMENTS:

The appliance is supplied with a pre-wired three pin plug, (13Amp fuse rated), and 2 metres of electrical cable. It is therefore necessary for a suitable electrical socket to be located within this distance and be easily accessible.

This appliance is designed to be wall-hung, using the wall fixtures/fixings provided. DO NOT recess any part of appliance into the wall. If you are unsure or feel incapable of installation, seek professional advice/help

It is recommended that the installation should be protected by a 30mA RCD, (Residual Circuit Device), either via the existing main consumer unit if fitted, or by a dedicated device as part of this installation.

3.0

APPLIANCE DATA:

Supply Voltage:	230/240V ac, 50Hz	Fuse Rating:	13 Amp
Heating Elements:	2 x 900W/2 x 1000W	Lighting:	2 x 60W Clear "bayonet connection" bulbs

**This appliance conforms to European Directive:
73/23/EEC Low Voltage (Safety), and CE marking Directive.**

4.0

UNPACKING THE APPLIANCE:

Read **all** the instructions before continuing to unpack or install this appliance. Carefully remove the appliance from its packaging and lay on the floor with its back surface downward. Note: **DO NOT** stand the appliance on its frame as this may cause distortion. Check that the remaining packaging contents correlate with the component checklist below. Please dispose of all packaging with care at your local recycling centre.

4.1

COMPONENT CHECKLIST:

QUANTITY	DESCRIPTION
1	Fire Appliance
1	Bag of 24 White Natural Stone Decorative Pebbles
1	Instruction Booklet
1	Screw and Wall-Plug Pack with (4 off x 37mm long round head woodscrews and 4 off wall plugs)
1	Rear Frame Lower Section with (4 off 10mm long silver No 8 self tapping fixing screws)
2	Lower Wall Fixing Brackets with (2 off 10mm long silver No 8 self tapping screws)

5.0

APPLIANCE ASSEMBLY:

CAUTION: DO NOT CONNECT THE APPLIANCE TO THE ELECTRICAL SUPPLY AT THIS TIME

Attaching the Lower Section to the Rear Frame:

Tools and Parts Required:

Phillips Screwdriver
4 off No 8 x 10mm long silver self tapping screws
Lower Frame
Protective gloves

Carefully lay the fire onto its curved front, taking care not to damage the metal plastic coated finish. The lower frame attaches using 4 off No. 8 10mm long silver self tapping screws as shown in Fig 1 on the right. Ensure that any protective plastic coating is firstly removed, and that the edges are neatly aligned before finally tightening screws.

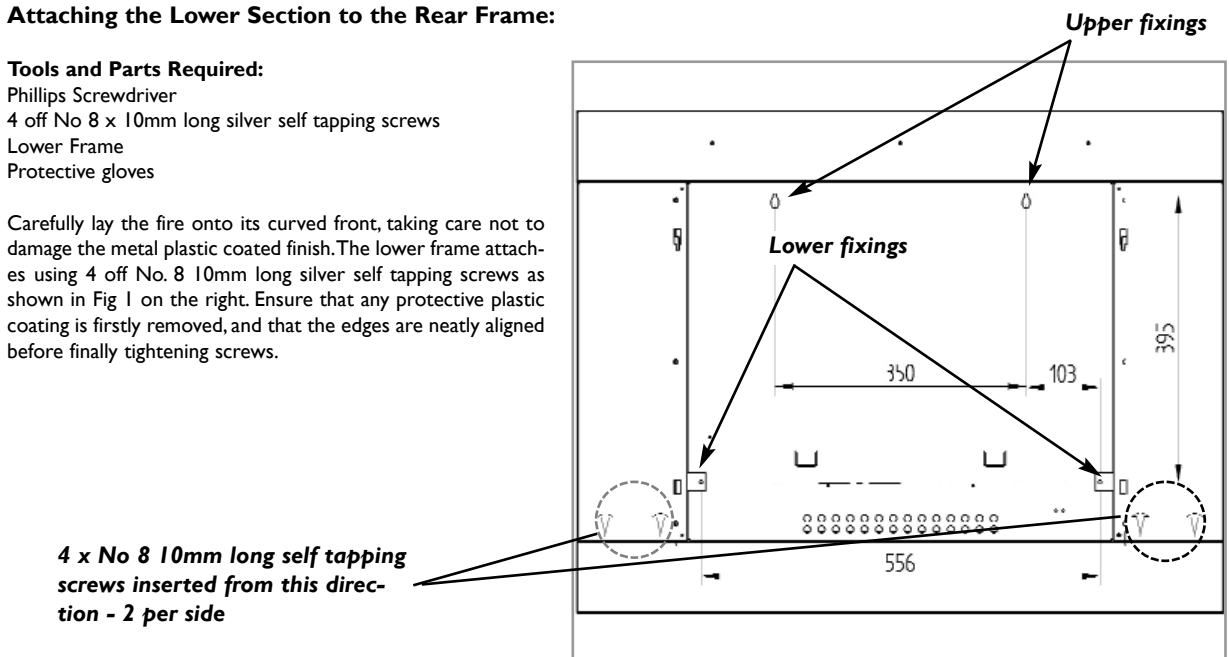


Fig 1 - Rear View of the Appliance

6.0

SITE REQUIREMENTS:

The appliance is designed for wall mounting only, at a minimum distance of 100mm from the floor or hearth to the bottom edge of the rear frame. The wall should be flat and not interfere with any of the various vent holes in the back panel. The wall must be structurally sound and constructed of a material capable of withstanding moderate heat. Finished plaster, conventional wallpaper, dry-lined plasterboard are examples of suitable materials. Materials such as cloth, flock, blown vinyl or embossed paper which are sensitive to even small amounts of heat should be avoided as some discolouration may occur. If the appliance is to be mounted on a dry lined or a timber framed construction wall then the integrity and ability of the wall to carry the weight of the appliance must be confirmed. It is important in these circumstances that any vapour control barrier and/or structural member of the house frame are not damaged.

Be sure to design the installation so that the strength of both the wall and any wall fixings used are sufficient. The manufacturer assumes absolutely no responsibility for injuries and damages that may occur due to improper installation or handling.

The appliance should not be installed until all dry wall sanding and wall painting has been completed. Incorrect installation can cause the appliance to fall from the wall and cause injury. Do not block the ventilation holes of the appliance. The wall onto which the appliance is installed must be flat. Install only on a vertical surface. Avoid sloped surfaces. Installation onto anything other than a vertical wall may result in fire, damage or injury.

THE WALL WHERE THE APPLIANCE IS TO BE INSTALLED MUST BE CAPABLE OF LONG-TERM SUPPORT OF THE TOTAL LOAD OF THE APPLIANCE. MEASURES SHOULD ALSO BE TAKEN TO ENSURE SUFFICIENT STRENGTH TO WITHSTAND THE FORCE OF EARTHQUAKES, VIBRATION AND OTHER EXTERNAL FORCES.

FIXING THE APPLIANCE:

Marking Positions:

Tools Required:

Ruler
Spirit level
Pencil

Safety Aspects:

Use safety goggles and or gloves
Keep children away during assembly and installation
Seek help "2 man lift" required when fitting to wall.

CAUTION
ENSURE THAT ANY WALL FIXINGS DO NOT PENETRATE OR DAMAGE ANY HIDDEN CABLES, PIPES OR OTHER UNSEEN SERVICES DURING INSTALLATION

Having selected the final mounting position for the appliance, taking into account the site requirements as detailed above, the fire can now be fixed to the wall. There are four fixing positions, two upper "hanging" positions, and two lower side bracket positions. Refer to Fig 1 for details. The two upper positions are located 116mm down from the top edge of the top frame, and are spaced 350mm apart about the centre line of the appliance. Once these have been marked the lower fixing positions can then be marked. These are 395mm vertically below the upper fixing positions, and 103mm horizontally outward from the upper fixings. See Fig 1.

Use a spirit level to ensure that both upper and lower fixing positions are horizontally aligned.

Wall Fixings:

Tools Required:

Spirit level
Electric drill
6.5mm masonry bit
Flat blade screwdriver
Phillips screwdriver

Safety Aspects:

Use safety goggles and or gloves
Keep children away during installation
Seek help "2 man lift" required

If you are unsure of the ability of the wall to carry the weight and/or which type of wall fixing to use, you should take professional advice and obtain the correct fixings. Alternatively, find a more suitable wall location.

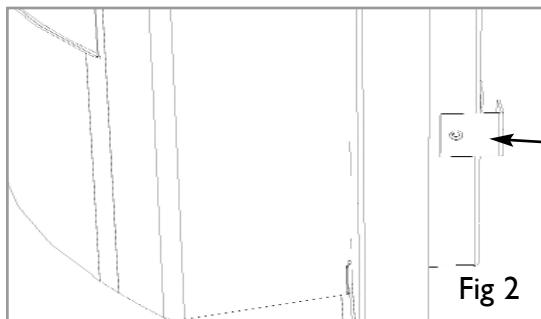
If the appliance is to be mounted on the inner leaf of a conventional cavity wall or a solid wall, drill four holes to a depth of 39mm using a 6.5mm masonry bit. Insert the wall-plugs provided and ensure they are flush to the wall. If the appliance is to be mounted on a dry lined wall or timber framed construction, then special cavity screw fixings will be required, that are not supplied with this product.

Insert 2 x 37mm long fixing screws into the upper two wall-plugs, taking care to leave the screws protruding approximately 6mm from the wall.

Locate the two lower wall fixing brackets, and attach to the wall using the two remaining 37mm long fixing screws. Note: before fully tightening onto the wall, the brackets should be orientated into the final fixing positions as shown in Figs 1 and 2.

The appliance can now be "hung" onto the upper wall fixings, ensuring that the heads of the screws go through the keyhole shaped holes, and then drop down into the slot. Note: seek assistance when lifting the appliance.

Now slide in the lower case sides inside the left and right hand side lower fixing brackets as shown in Fig 2. Check that the hole in the lower fixing brackets aligns with the hole in the side of the box on both left and right hand sides.



Recheck that the appliance is perfectly horizontal with a spirit level, and then attach the box to the lower brackets using the 2 x No 8 10mm long silver self tapping screws and fully tighten.

Right hand side lower fixing bracket. Left hand side is identical

Finally peel off any remaining protective plastic coatings on the front and rear frame, curved back panel and the plastic fuel bed.

7.0 FIXING THE APPLIANCE (continued):

Placement of Pebbles:

Unpack the 24 pebbles and arrange them over the fuel bed as follows:

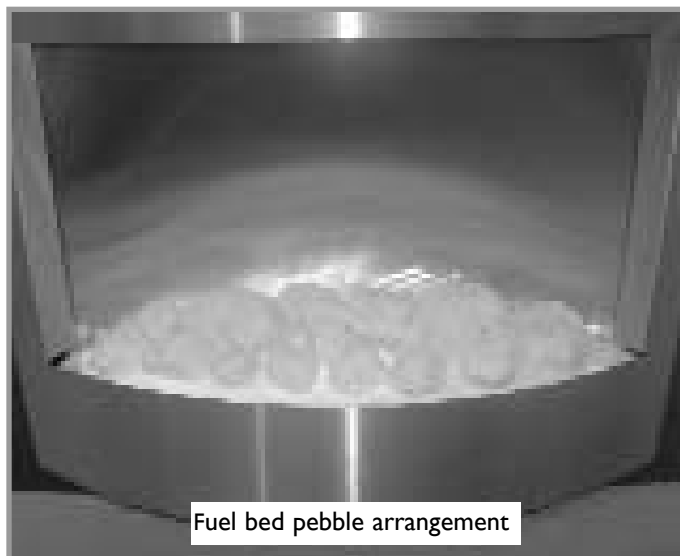
6 large sized positioned at the rear. Leave a gap of approximately 25mm between the back panel and the pebbles. This allows light to shine up through the cut outs and illuminate the back panel.

8 medium size positioned in front of the large pebbles in the central area of the fuel bed.

10 small sized positioned around and on top of the large and middle sized pebbles.

Ensure that all pebbles are placed such that they avoid any danger from falling off the appliance.

The final pebble arrangement can only be done later when the appliance lamps are switched on and light shines up through the transparent fuel bed.



8.0 OPERATING THE APPLIANCE:

Read all instructions before use

Caution:

This appliance is a heating appliance, and as such the air outlet grille and surrounding areas will get hot. When in use, DO NOT touch these areas and supervise/keep children away from the appliance.

Check that the fan outlet is not covered or obstructed in any way, and ensure the power to the fire is switched on. The appliance is controlled using four switches mounted underneath the opening at the right hand side.

The left hand switch **marked (O1)**, controls the main power to the appliance and switches on the visual light display. This feature can be used independently of the heating features.

The next switch **marked (*)** operates the fan blower without heat, and can be used for cool air circulation. However for this feature, the main power switch (O1), must also be in the "on" position.

The next switch with a "single bar" **marked (I)** operates the low heat, (1kW), setting.

The switch with "two single bars" **marked (II)** operates the high heat, (2kW), setting.

To operate the fire in any of the above modes, the left hand switch **marked (O1)** must be switched to the "on" position. To operate the fire, the left switch must be turned on first, followed by the second switch to start the blower, if required. To obtain heat from the appliance, the I switch must then be operated for LOW heat, followed by the II switch for the HIGH heat setting.

The appliance can be switched off at any time, irrespective of the particular mode selected, by simply switching the left hand switch marked (O1) to the "off" position. It is also recommended to unplug the power supply cable at the supply outlet when not in use.

8.1 SAFETY CUT-OUT SYSTEM:

This appliance has a safety cut-out system fitted which will activate if the air inlets or outlets are obstructed. For safety reasons the fire **WILL NOT** switch on again automatically.

NOTE: The visual light effect will remain operational if the cut-out is activated, only the fan heater is prevented from operating.

The following procedure must be carried out before the fire can be operated again:

Unplug the power supply cable **at the outlet socket and place all switches to off at the appliance.** Leave the fire OFF for a period of not less than 10 minutes, ensuring any obstructions are removed. Plug in the power supply cable **at the outlet socket, and then switch on at the appliance.**

If the appliance fails to operate correctly, repeat the above procedure.

If an attempt to switch on is made before the safety cut-out has reset, the heaters may cut-out for a further period of time. If the sequence has been followed correctly and the heater still fails to function, check the power supply cable plug is plugged in to the outlet socket.

If this is not the cause, call an electrician.

9.0

MAINTENANCE and SERVICING:

ALWAYS DISCONNECT/ISOLATE THE APPLIANCE FROM THE MAINS SUPPLY OUTLET PLUG/ AND ALLOW TO COOL BEFORE UNDERTAKING ANY MAINTENANCE.

Excluding lamps and fuses, use only genuine spare parts available from your supplier. Replacement lamps must be of the same wattage and specification as those stated in Section 3.0 Appliance Data.

Check regularly for security of wall fixings and check security of supply cable and connections.

If the supply cable becomes damaged, it must be replaced by a service agent or competent person, such as a qualified electrician.

The wires in the cable are coloured in accordance with the following code:

LIVE	-	Brown
NEUTRAL	-	Blue
EARTH	-	Green/Yellow

Fuse Replacement:

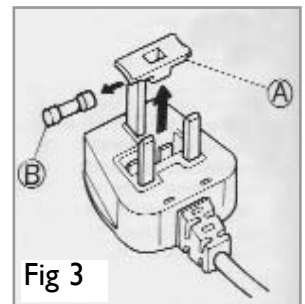
Use an approved fuse to BS 1362 and proceed as follows:

Remove the fuse cover (A) and fuse (B). See Fig 3.

Fit replacement 13A fuse into fuse cover, and then refit both into plug.

If the fuse cover (A) is missing or lost the plug must not be used until a replacement is fitted.

Replacements are available from your local electrical store.



Replacing the light bulbs.

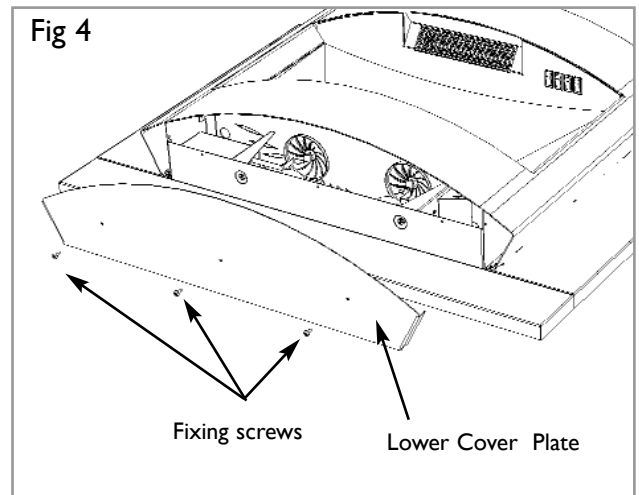
1. Switch off at the appliance, and then disconnect the appliance at the outlet socket.

2. Identify the location of the three Phillips lower cover plate light box fixing screws, as shown in Fig 4, and remove by unscrewing anti-clockwise. Gently ease the cover plate downward until it is clear of the appliance to gain access to the light box compartment.

3. Remove the light bulb(s). Note that the bulbs have a conventional bayonet fitting. Replace with a new bulb(s).

4. Reposition the lower cover plate onto the appliance ensuring that the two folded side flaps fit inside the the frame and replace the three Phillips screws. Retighten fully clockwise.

5. Reconnect electrical supply and check for correct operation of the lamps and both spinner assemblies.



10.0

CLEANING:

ALWAYS DISCONNECT THE APPLIANCE FROM THE MAINS SUPPLY OUTLET SOCKET BEFORE UNDERTAKING ANY MAINTENANCE.

Regularly clean around the appliance to ensure that dust, fluff, pet hair etc, are kept to a minimum. There are no other specific requirements for care, other than regular cleaning of the general appliance. A wipe with a dry cloth is normally sufficient. **DO NOT** use abrasive cleaners as they can damage the finish. Stainless steel parts may be cleaned using an appropriate metal cleaner or baby oil. Test on a hidden part of the stainless steel before cleaning. Clean only in the direction of the grain.

11.0

SPARES:

Refer to Section 3.0 Appliance Data for lamp and fuse specification. Excluding lamps and fuses, use only genuine manufacturers spare parts available from your supplier.

Before Calling the Manufacturer

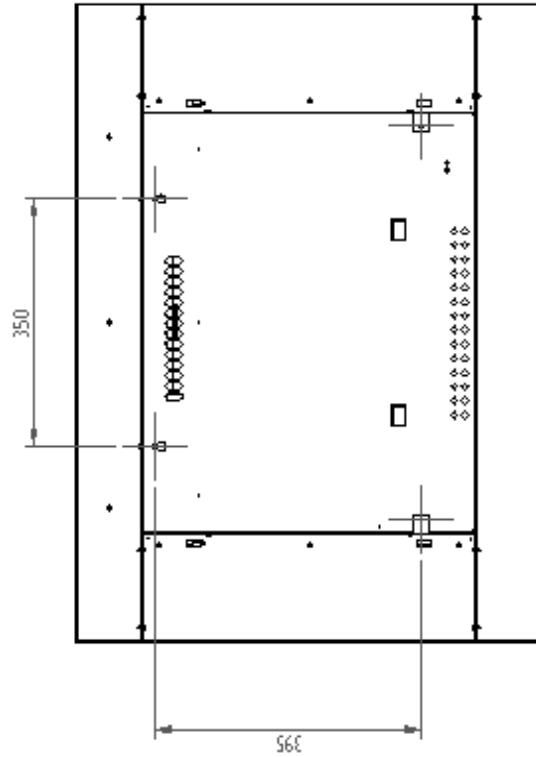
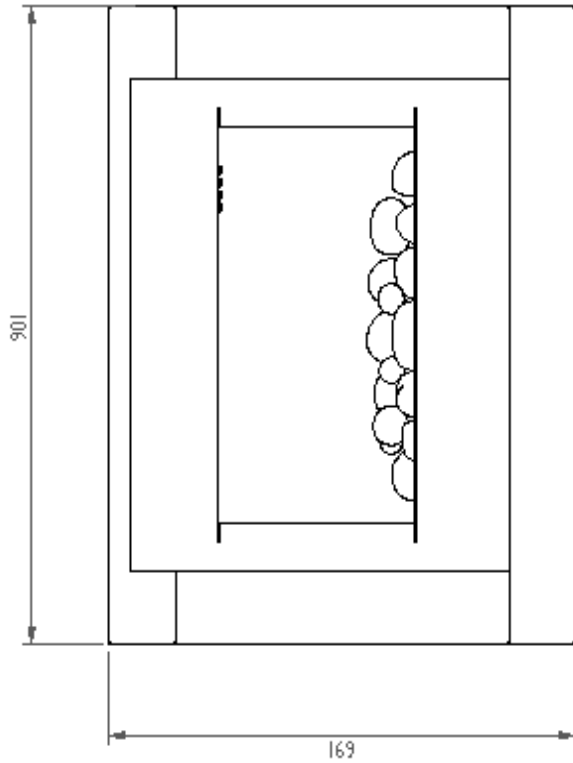
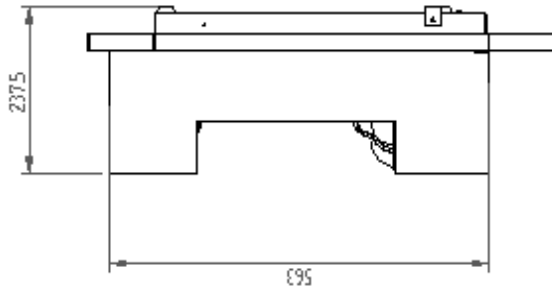
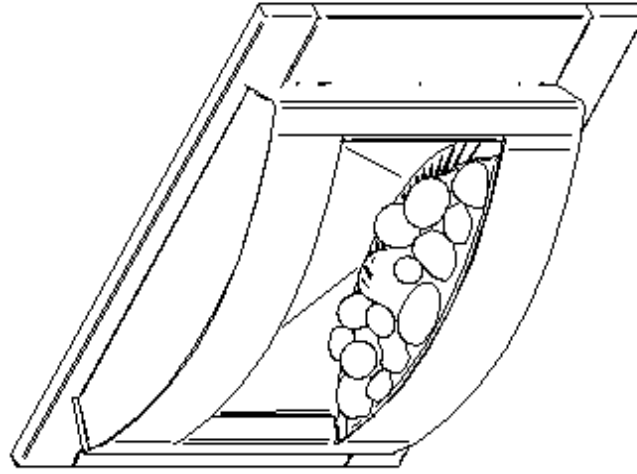
You will be charged for a service engineers visit if a problem with your appliance is caused by incorrect installation, incorrect use, or damage caused by use of ancillary equipment not defined as suitable in this instruction manual.



Waste electrical products should not be disposed of with household waste. Please recycle where facilities exist. Check with your local authority or retailer for recycling advice.

As our policy is one of continuous improvement and development, we therefore hope that you will understand we must retain the right to amend details and/or specifications without prior notice.

12.0



Manufactured by Focal Point Fires plc, Avon Trading Park, Christchurch, Dorset BH23 2BT

Tel: 01202 499330 Fax: 01202 499326

www.focalpointfires.co.uk

e-mail: sales@focalpointfires.co.uk