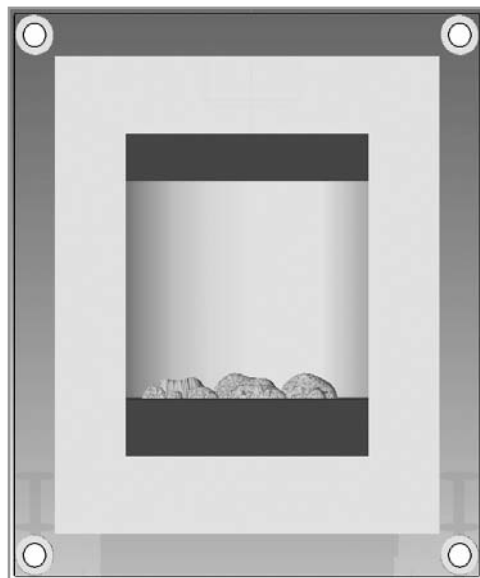


FOCALPOINT

FLORENCE ELECTRIC

ELECTRIC WALL HEATER
MODEL P23E



FOCALPOINT

INSTALLATION AND USER INSTRUCTIONS

Read and understand these instructions completely before commencing any assembly or installation.

Check that all components are included in the pack.

Revision A - 06/08

Focal Point Fires plc, Christchurch, Dorset, BH23 2BT

Tel: 01202 499330 Fax: 01202 499326

www.focalpointfires.co.uk

e-mail: sales@focalpointfires.co.uk

FOCALPOINT



CONTENTS

Section	Contents	Page No	Section	Contents	Page No
1.0	Preliminary Notes	1	8.0	Preparing the Appliance	3
2.0	Appliance Data/Specifications	1	9.0	Fixing the Appliance	4
3.0	Electrical Installation Requirements	1	10.0	Operating the Appliance	6
4.0	Site Requirements	2	11.0	Safety Cut-Out System	6
5.0	Clearances to Combustible Materials	2	12.0	Maintenance - Lamp Replacement	7
6.0	Unpacking the Appliance	3	13.0	Cleaning	7
7.0	Component Checklist	3	14.0	Servicing	8

1.0 PRELIMINARY NOTES

The Florence Electric Wall Heater provides convected heating in conjunction with a visual fuel effect display. The appliance is designed for indoor use, and can be flat wall mounted in the majority of wall positions anticipated. The appliance can be located in any household room, with the exception of bathrooms. Read all of the instructions before commencing installation. Retain for future reference and pass on as necessary to subsequent owners of the appliance.

DO NOT use this appliance immediately below a fixed socket outlet.

DO NOT use this appliance in the immediate vicinity of a bath, shower, swimming pool or other areas where water/moisture could present a hazard.

CAUTION: This appliance must not be used in conjunction with any timer, programmer or thermal control, or any other device that will switch on the appliance automatically, as a fire risk may occur if the heaters are accidentally covered or displaced. **Note:** The heater outlet is located on the top surface behind the glass facia.

Do not allow the heater to be covered as this may cause overheating. Additionally, **DO NOT** place any items on top of this appliance. The appliance must not be placed near curtains or similar materials. A clearance space of at least 500mm should be allowed in front of the appliance.

The electrical socket that the appliance uses **MUST** be easily accessible. Do not route the supply cord directly over or above the heater unit. If the cord is damaged, it must be replaced by a service agent or competent person.

2.0 APPLIANCE DATA

Weight (kg):	14.0 kg (including glass facia)
Dimensions (mm):	H 690 x W 605 x D 154 (including glass facia)
Voltage (Volts):	230-240V a.c. 50Hz
Heating Elements:	2 x 900/1000 Watts
Supply Cord:	2 metre
Supply Plug:	BS1363, (13A BS1362 Fused)
Location:	Indoor Use Flat Wall - Non Bathroom/Shower Rooms
Lighting:	1 x 60W Amber bayonet connection type lamp

This appliance conforms to European Directive:
73/23/EEC Low Voltage (Safety) and CE Marking Directive.

3.0 ELECTRICAL INSTALLATION REQUIREMENTS

The appliance is supplied with a pre-wired 3-pin BS1363 plug (13 Amp fuse rated), and 2 metre cable. A standard switched outlet/wall socket, (including earth provision), must therefore be located within this distance, and be easily accessible in order to isolate the supply for maintenance and cleaning. This socket **must not** be mounted behind or above the appliance. **Note:** the pre-wired 3-pin plug should not be removed, as this may invalidate warranty. If you are unsure of the electrical installation requirements, seek professional advice.

It is recommended that the installation should be protected by a 30mA RCD, (Residual Circuit Device), either via the existing main consumer unit if fitted, or by a dedicated device as part of this installation.

IMPORTANT
THIS APPLIANCE MUST BE EARTHED
The manufacturer declines all liabilities for injury to persons, or damage to property, resulting from failure to observe this regulation, and/or failure to follow or observe these instructions.

4.0 SITE REQUIREMENTS

The appliance can be flat wall mounted via the brackets on the rear panel with the fixings provided. The wall should be relatively flat and not interfere with any of the ventilation slots in the rear panel.

The wall must be structurally sound and of a material capable of withstanding moderate heat. Finished plaster, conventional wallpaper, dry-lined plaster board are examples of suitable materials. Materials such as flock, blown vinyl, embossed paper and cloth wall coverings which are sensitive to even small amounts of heat should be avoided, as some discolouration may occur.

It should be noted that the appliance creates warm convected air currents. These currents move heat from the room surroundings to, and up the wall surfaces adjacent to the heater.

Installing the heater next to the wall coverings mentioned above or operating the heater where impurities in the air, (such as tobacco smoke, soot from candles etc) may slightly discolour wall finishing.

If the appliance is to be mounted on a dry lined or timber framed construction then the integrity and ability of the wall to carry the weight of the appliance must be confirmed. It is important in these circumstances that any vapour barrier and/or structural members of the house frame are not damaged.

If you are unsure of the ability of the wall to carry the weight and/or which type of wall fixing to use, you should seek professional advice and obtain the correct fixings. Alternatively, find a more suitable wall location.

- DO NOT**
- mount on a ceiling or floor or on any sloping surface.
 - recess any part of the appliance into the wall.
 - site any electrical equipment e.g. plasma screen TV sets etc, on the wall above the appliance.
 - site in a position where curtains or drapes could cover the appliance.
 - site in a position where other soft materials could cover e.g. below a coat rack.
 - site behind an opening door where mechanical impact/damage could occur.
 - site where the supply cable would become a trip hazard.
 - sit, stand or forcefully pull on the appliance.
 - obstruct, cover or force items into the openings.
 - use the heater to dry clothes.
 - site/use in an outdoor location(s).
 - run the supply cable under carpets or use if the plug/cable is damaged.
 - **leave children, the infirm or elderly unsupervised, as the appliance will become hot is use.**

5.0 CLEARANCES TO COMBUSTIBLE MATERIALS

It is important that the following clearances are maintained from the appliance to combustible materials. These clearances are dependant on the mounting location as defined below:

Wall Location:

The minimum distance from the top of the appliance to a ceiling is 700mm.

The minimum distance to the sides of the appliance is 100mm.

The minimum distance to the front of the appliance is 500mm.

The appliance can be wall mounted at floor level, providing it does not stand on a carpet or similar material. Allow clearance to carpets of 30mm.

A shelf may be mounted above the appliance provided it meets the requirements for shelves as detailed below.

Shelf Depth (measured from wall)	Minimum Shelf Distance (measured from top of appliance, not the frame)
50mm	390mm
100mm or 152mm	490mm

Note: the ability of any shelf to withstand prolonged moderate heat, eg 80°C must be assured.

Floor/Fireplace Wall Location:

If mounted into a fireplace surround, ensure that the minimum clearance distances to mantles and/or any shelves fitted above the appliance are as specified above.

Note: the ability of any fireplace or surround to withstand prolonged moderate heat, eg 80°C must be assured.

6.0 UNPACKING THE APPLIANCE

Caution: This appliance is heavy. Always seek assistance whilst unpacking and/or during installation.

Read *all* the instructions before continuing to unpack or install this appliance. Carefully remove the appliance from its packaging and stand on the floor.

Note: DO NOT stand the appliance unfixed with its front fascia fitted, as this will be unstable.

Check that the remaining packaging contents correlate with the component checklist below. Please dispose of all packaging with care at your local recycling centre.

7.0 COMPONENT CHECKLIST

QUANTITY	DESCRIPTION
1	Fire Appliance
1	Decorative Glass Facia and Four Decorative Corner Columns
1	Bag of Decorative Pebbles
1	Instruction Booklet
1	Screw Fixing Pack (3 x 37mm long round head screws and 3 plastic wall plugs)
1	Wall Mounting Template

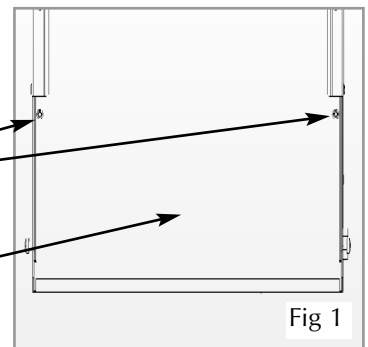
8.0 PREPARING THE APPLIANCE

CAUTION: DO NOT connect the appliance to the supply at this stage.

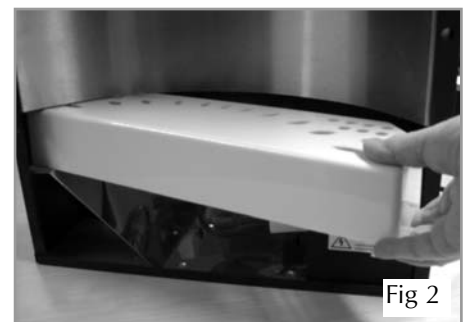
1. Place the appliance on a suitable surface and remove the 2 x No 8 Phillips self tapping screws, retaining the lower lamp cover plate, as shown in figure 1. Remove the cover plate by sliding towards the top of the appliance and then easing from its lower retaining slot.

2 off No 8 fixing screws

Lamp cover plate

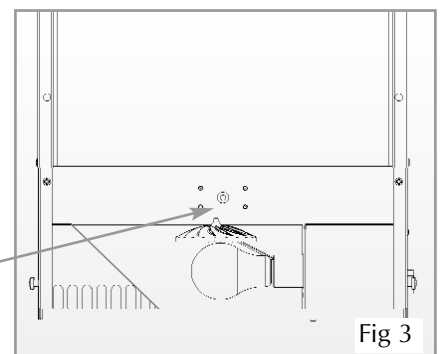


2. Carefully "ease" the white fuel bed from the appliance as shown in figure 2. Be careful not to damage the spinner or lamp during removal.



This allows access to the lower fixing position of the rear bracket attached to the back of the main case assembly. See figure 3

Lower fixing position



9.0 FIXING THE APPLIANCE

Having selected the final mounting position for the appliance, taking into account the site requirements as detailed in sections 1.0 - 5.0, the heater can now be fixed to the wall.

Remove any protective film coatings from the finished/decorative surfaces of the appliance. To ensure customer safety, be sure to design the installation so that the strength of both the wall and any wall fixings used are sufficient.

Focal Point Fires plc. assumes absolutely no responsibility for injuries and damages that may occur due to improper installation or handling. The appliance should not be installed until all wet plastering and/or dry wall sanding and wall painting has been completed. Do not block the ventilation holes of the appliance. The wall onto which the appliance is installed must be flat. Install only on a vertical surface. Avoid sloped surfaces. Installation onto anything other than a vertical wall may result in fire, damage or injury.

If the appliance is to be mounted on the inner leaf of a conventional cavity brick wall, or a solid wall, then the wall plugs and fixing screws provided may be used. Depending on the condition of the wall it may be necessary to use alternative fixings than the ones provided. If you are unsure, seek professional advice.

If the appliance is to be mounted on a dry lined wall or a timber framed construction wall then efforts should be made to fix in at least one positions vertically, into one of the wooden studs, or supporting wooden members of the wall using two of the fixing screws provided. If this is not possible then the wall should be strengthened using appropriate building materials.

If there is no alternative than to rely on *some* plasterboard fixings then special cavity screw fixings or hollow wall anchors will be required which are not supplied with this product. These should be constructed from metal and not plastic and of the design indicated in figure 4. If you are unsure, seek professional advice.

a) Marking Positions:

There are three fixing positions, two upper “hanging” positions”, and one lower position on the back-panel located behind the fuel bed. A template is provided to aid location of fixings. Use a spirit level to ensure that the template is level. This ensures that both upper and lower fixing positions are horizontally aligned.

Using the template in the required position on the wall, “mark through” the template and onto the wall at the three mounting locations designated “P23E” for this particular appliance. Now remove the template.

b) Wall Fixings:

If the appliance is to be mounted on the inner leaf of a conventional cavity wall or a solid wall, drill three holes using a 8.0mm masonry bit, to a depth equal to the wall plug, ie 37mm.

Insert the wall-plugs provided and ensure that they are flush with the wall. If the appliance is to be mounted on a dry lined wall or timber framed construction, then special cavity screw fixings will be required, that are not supplied with this product. Insert 2 x 37mm long fixing screws into the upper two wall-plugs, taking care to leave

WARNING

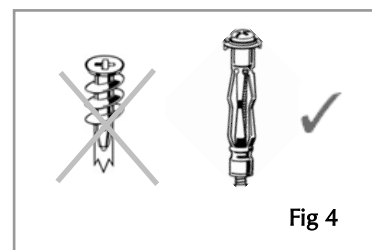
THE WALL WHERE THE APPLIANCE IS TO BE INSTALLED MUST BE CAPABLE OF LONG-TERM SUPPORT OF THE TOTAL LOAD OF THE APPLIANCE. MEASURES SHOULD ALSO BE TAKEN TO ENSURE SUFFICIENT STRENGTH TO WITHSTAND THE FORCE OF EARTHQUAKES, VIBRATION AND OTHER EXTERNAL FORCES.

WARNING

INCORRECT INSTALLATION CAN CAUSE THE APPLIANCE TO FALL FROM THE WALL AND RESULT IN FIRE, DAMAGE OR INJURY.

WARNING

PLASTERBOARD ALONE IS NOT CONSIDERED TO BE A STRUCTURAL MATERIAL. IT IS NOT RECOMMENDED TO RELY ON PLASTERBOARD FIXINGS ALONE TO SUPPORT THE WEIGHT OF THE APPLIANCE.



FIXING THE APPLIANCE (continued)

the screws protruding approximately 6mm from the wall.

The appliance can now be “hung” onto the two upper wall fixings, ensuring that the heads of the screws go through the keyhole shaped holes, and then drop down into the keyhole upper slot.

Ensure that the lower rear panel fixing hole aligns with the wall plug, and then insert 1 x 37mm long fixing screw and fully tighten.

Finally fully tighten the two upper fixing screws, through the two panel access holes at the front of the appliance, and ensure that the appliance is firmly and securely attached to the wall.

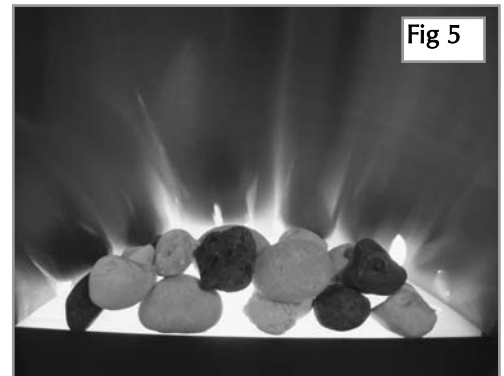
c) Re-assembly of Appliance:

Note: re-assembly is the reverse of disassembly as described in section 8.0

1. Refit the fuel bed, ensuring that the lamp spinner is free to rotate, see previous figure 2.
2. Refit the lower lamp cover plate, firstly inserting the bottom edge behind the lower firebox lip. Secure with the two screws previously removed, see previous figure 1.
3. Finally, peel off any remaining protective plastic coatings on the front frame, curved backpanel and the plastic fuel bed.

d) Placement of Pebbles:

Unpack the pebbles and arrange them over the fuel bed. The final pebble arrangement can only be done later when the lamp is switched on and light shines up through the transparent cover. The ideal pebble layout is shown in figure 5.

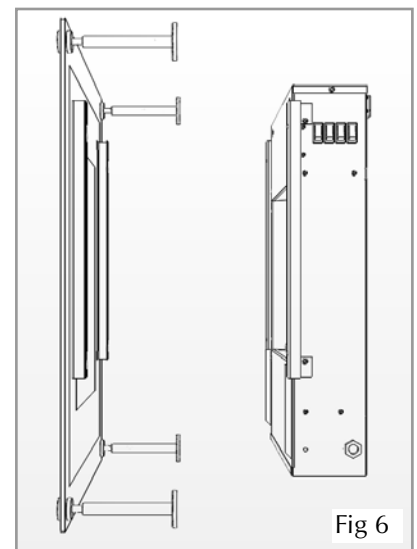
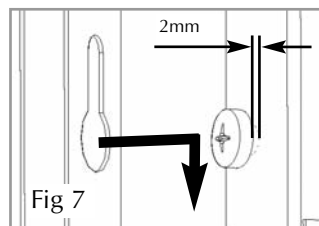


Ensure that all pebbles are placed such that they avoid any danger from falling off the appliance.

e) Hanging the Front Glass Facia:

Remove the glass facia panel from its protective packaging. The glass facia panel is supported on the appliance by four M6 screws which protrude from brackets on the front of the outer casing. See figure 6

Ensure each screw is unscrewed approximately one turn from the fully screwed in position in order to create a 2mm gap. See figure 7.



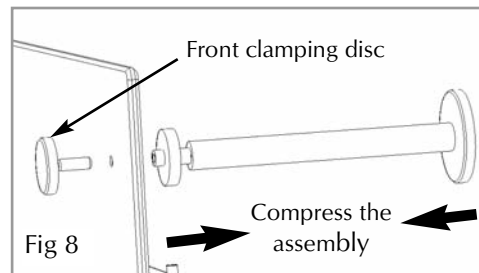
Simply hang the facia panel onto the outer casing ensuring that the corresponding keyhole shaped holes engage the screwheads fully.

FIXING THE APPLIANCE (continued)

f) Fitting the Decorative Corner Columns:

To fit the decorative corner columns, ensure the main glass fascia is mounted in position. Remove any transit tape and unscrew the front clamping disc and remove. Refer to figure 8, and compress the column assembly. Then position behind the glass panel, lining up with the appropriate hole.

Release the assembly when in position and secure in place by refitting the front clamping disc. Repeat for the other three columns.



10.0 OPERATING THE APPLIANCE

Read All Instructions Before Use

Check that the heater outlet grille, mounted at the top of the appliance, is not covered or obstructed in any way, and ensure the power to the fire is switched on. The appliance is controlled using four switches mounted at the right hand side towards the top.

Control Switches:

The first switch towards the front, **marked (OI)**, controls the main power to the appliance and switches on the visual light display. This feature can be used independently of the heating features.

The next switch **marked (*)** operates the fan blower without heat, and can be used for cool air circulation. However for this feature, the main power switch (OI), must also be in the "on" position.

The next switch with a "single bar" **marked (I)** operates the low heat, (1kW), setting.

The switch with "two single bars" **marked (II)**, operates the high heat, (2kW) setting.

To operate the fire in any of the above modes, the front switch **marked (OI)** must be switched to the "on" position.

To operate the fire, the first switch must be turned on firstly, followed by the second switch to start the blower, if required. To obtain heat from the appliance, the I switch must then be operated for LOW heat, followed by the II switch for the HIGH heat setting.

The appliance can be switched off at any time, irrespective of the particular mode selected, by simply switching the first switch marked (OI) to the "off" position.

It is also recommended to unplug the power supply cable at the supply outlet when not in use.

11.0 SAFETY CUT-OUT SYSTEM

This appliance has a safety cut-out system fitted which will activate if the air inlets or heater outlets are obstructed. For safety reasons the fire **WILL NOT** switch on again automatically.

NOTE: The visual light effect will remain operational if the cut-out is activated, only the fan heater elements are prevented from operating.

The following procedure must be carried out before the fire can be operated again:

1. Unplug the power supply cable at the outlet socket and place all switches to off at the appliance.



SAFETY CUT-OUT SYSTEM (continued)

2. Leave the fire OFF for a period of not less than 10 minutes, ensuring any obstructions are removed.
3. Plug in the power supply cable **at the outlet socket, and then switch on at the appliance.**

If the appliance fails to operate correctly, repeat the above procedure.

If an attempt to switch on is made before the safety cut-out has reset, the heaters may cut-out for a further period of time. If the sequence has been followed correctly and the heaters still fail to function, check the power supply cable plug is plugged in at the outlet socket. If this is not the cause, call an electrician.

12.0 MAINTENANCE and LAMP REPLACEMENT

ALWAYS DISCONNECT/ISOLATE THE APPLIANCE AT THE SUPPLY/OUTLET SOCKET AND ALLOW TO COOL BEFORE UNDERTAKING ANY MAINTENANCE.

Excluding the lamp and fuse, use only genuine spare parts available from your supplier. Replacement lamps must be of the same wattage and specification as those stated in Section 2.0 Appliance Data/Specifications.

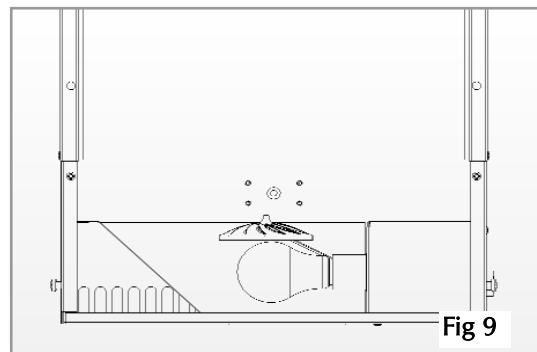
Replacing the Light Bulb.

1. Switch off at the appliance, and then disconnect the plug from the outlet socket.

2. Remove the glass facia and then remove the lower lamp cover plate (2 x screws), as described in section 8.0 to gain access to the bulb.

Note: the fuel bed can be removed if necessary to aid replacement.

3. The bulb has a conventional bayonet fitting. Remove and replace with the new bulb (see Fig 9 opposite).



4. Reposition the lower lamp cover plate and replace the two No 8 POZI screws, and tighten fully.

5. Re-connect electrical supply and check for correct operation of the lamp and spinner assembly. Replace the glass facia.

13.0 CLEANING

ALWAYS DISCONNECT/ISOLATE THE APPLIANCE AT THE SUPPLY/OUTLET SOCKET AND ALLOW TO COOL BEFORE UNDERTAKING ANY CLEANING.

Regularly clean around the appliance to ensure that dust, fluff, pet hair/dander etc, are kept to a minimum.

There are no other specific requirements for care, other than regular cleaning of the general appliance. A wipe with a dry cloth is normally sufficient.

DO NOT use abrasive cleaners as they can damage the finish. Aluminium parts may be cleaned using an appropriate metal cleaner. Test on a hidden part before cleaning. Clean only in the direction of the grain.

Glass Facia Panel - This should only be cleaned using a suitable glass cleaner. Test on a small area first.

14.0 SERVICING

There are no internal user serviceable parts.

Check regularly for security of wall fixings and front glass facia as appropriate. Also check the security and condition of the supply cable and connections. If the supply cable becomes damaged, it must be replaced by a service agent or competent person, such as a qualified electrician.

The wires in the cable are coloured in accordance with the following code:

LIVE	-	Brown
NEUTRAL	-	Blue
EARTH	-	Green/Yellow

Fuse Replacement:

Use an approved fuse to BS 1362 and proceed as follows:

1. Remove the fuse cover (A) and fuse (B). See Fig 10.
2. Fit replacement 13A fuse into fuse cover, and then refit both into plug.

If the fuse cover (A) is missing or lost the plug must not be used until a replacement is fitted. Replacements are available from your local electrical store

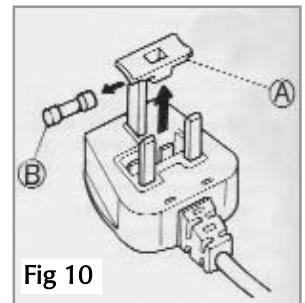


Fig 10

Before Calling the Manufacturer

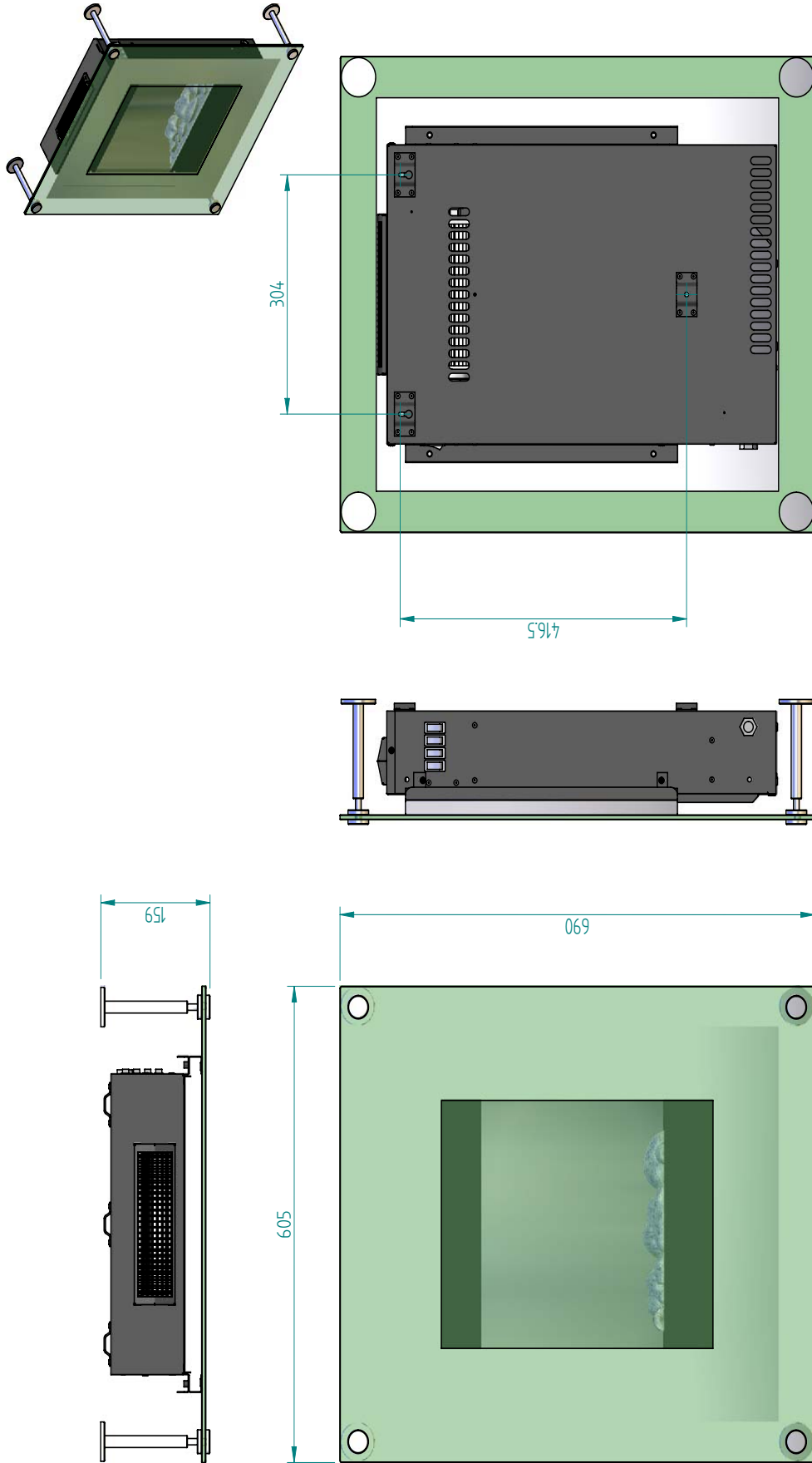
You will be charged for a Service Engineers visit if a problem with your appliance is caused by incorrect installation, incorrect use, or damage caused by use of ancillary equipment not defined as suitable in this instruction manual.

Please Note : Except where otherwise stated, all rights, including copyright in the text, images and layout of this booklet is owned by Focal Point Fires plc. You are not permitted to copy or adapt any of the content without the prior written permission of Focal Point Fires plc.



Waste electrical products should not be disposed of with household waste. Please recycle where facilities exist. Check with your local authority or retailer for recycling advice

As our policy is one of continuous improvement and development, we hope therefore you will understand we must retain the right to amend details and/or specifications without prior notice.



Florence Electric - Appliance Views and Dimensions

All dimensions in mm
 © 2008 Focal Point Fires plc.