

**FOCAL
POINT
FIRES** plc

**VECTAFLAME**


REALITY

**USER
INSTRUCTIONS**

READ THIS GUIDE FULLY BEFORE USE

Focal Point Fires plc, Avon Trading Park, Christchurch, Dorset, BH23 2BT
Tel.: (01202) 499 330 Fax: (01202) 499 326

CE

REVIEWED	BY- 
	DATE- 14-10-98
APPROVED	BY-
	DATE-



<i>Section</i>	<i>Contents</i>	<i>Page No.</i>	<i>Section</i>	<i>Contents</i>	<i>Page No.</i>
1.0	Important Notes	1	9.0	Fitting the Cast Front	4
2.0	Firefronts	1	10.0	Assembling the Fuel Bed	4
3.0	Appliance Data	1	11.0	Operating the Appliance	5
4.0	Installation Requirements	1	12.0	Safety Cutout System	5
5.0	Unpacking the Appliance	2	13.0	Maintenance	5
6.0	Component Checklist	2	14.0	Cleaning	6
7.0	Securing the Appliance*	3	15.0	Spares	6
8.0	Fitting the Decorative Frame [^]				

* *Vectaflame KENSINGTON only* [^] *Vectaflame BRASS/PLATINUM only*

1.0 IMPORTANT NOTES

Do not use this heater immediately below a fixed socket outlet.

Do not use this heater in the immediate vicinity of a bath, shower or swimming pool.

CAUTION! *This heater must not be used in conjunction with any timer, programme or thermal controls, or any other device that will switch on the appliance automatically, as a fire risk may occur if the heater is accidentally covered or displaced.*

Do not allow the heater to be covered as this may cause overheating. The appliance must not be placed near curtains or similar material. A clearance space of at least one metre should be allowed in front of the appliance.

2.0 FIREFRONTS

This appliance is supplied with a particular style of firefront that will ensure efficient and safe performance. It is strongly recommended that any alternative style of firefront should *not* be used with this appliance. Compliance with safety standards cannot be guaranteed if an alternative firefront is used.

3.0 APPLIANCE DATA

Supply voltage	230v @ 50Hz
Fuse rating	13 Amp
Heating elements	2 x 1000W
Lighting	1 x 40W 45mm diameter <i>clear</i> "golf ball" bulb 1 x 30W 221mm long <i>clear</i> striplight (filament type <i>not</i> fluorescent)

4.0 INSTALLATION REQUIREMENTS

The appliance is supplied with a moulded three pin plug (13Amp fuse rated) and 1.8 metres of electrical flex. It is therefore necessary for a suitable electrical socket to be located within this distance of the appliance.

The appliance is suitable for installation into all proprietary surrounds with an opening of 16" by 22".

If fitted into an open fireplace it is advisable to blank off the chimney to reduce the risk of draught through the fire which may cause the safety cut out in the fan heater to operate.

5.0 UNPACKING THE APPLIANCE

Vectaflame PLATINUM and Vectaflame BRASS

These appliances are supplied in a single carton.

Read *all* these instructions before continuing to unpack or operate this heater.

Remove any bags/boxes containing other fittings or parts.

When all loose parts have been removed, carefully lift the appliance from the carton.

Check that the contents correlate with the relevant component checklist below.

Vectaflame KENSINGTON

This appliance is supplied with the cast firefront in a separate carton from the fan heater.

Read *all* these instructions before continuing to unpack or operate this heater.

Remove any bags/boxes containing fittings or parts, from around the appliance.

When all loose parts have been removed, carefully lift the appliance from the carton.

Lay the firefront carton down and slide out the casting. Place to one side and release the ashpan door from the bottom of the casting.

Check that the contents correlate with the relevant component checklist below.

6.0 COMPONENT CHECKLIST

Vectaflame BRASS and Vectaflame PLATINUM

<i>QUANTITY</i>	<i>DESCRIPTION</i>
1	Heater main body with brass/black (Vectaflame BRASS) or silver/black (Vectaflame PLATINUM) effect fireframe.
1	Brass/black (Vectaflame BRASS) or silver/black (Vectaflame PLATINUM) effect firefront fender with ashpan door.
1	Orange coloured moulded fibreglass fuel bed base.
1	Bag of overlay coals.
1	User instruction booklet.
1	Cable fixing kit.
1	Canopy and trim.
4	No8 x 5/16 self tapping screws for canopy.

Vectaflame KENSINGTON

<i>QUANTITY</i>	<i>DESCRIPTION</i>	<i>QUANTITY</i>	<i>DESCRIPTION</i>
	<i>Box 1</i>		<i>Box 2</i>
1	Heater main body.	1	Complete cast firefront.
1	Orange coloured moulded fibreglass fuel bed base.	1	Ashpan door.
1	Bag of overlay coals.		
1	User instruction booklet.		
1	Cable fixing kit		

7.0

SECURING THE APPLIANCE (Vectaflame Kensington)

The Vectaflame KENSINGTON requires the top of the appliance to be secured to prevent it becoming unstable due to the weight of the front casting.

Decide upon the desired location of the appliance. Ensure the cable route and socket location are satisfactory.

Installing into surrounds with a marble (or similar) backpanel.

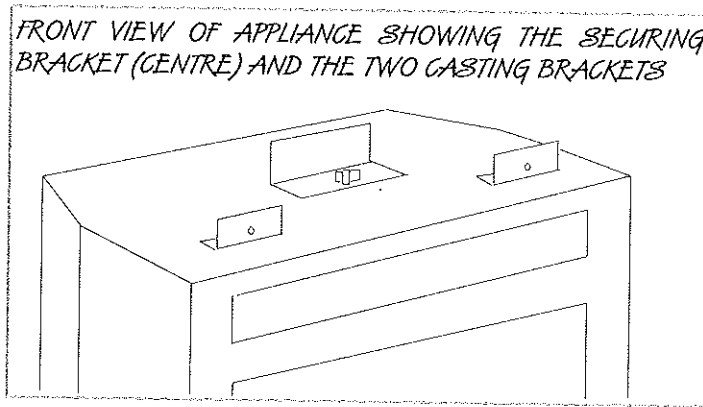
Unscrew the wingnut from the clamping bracket mounted on top of the appliance and remove the clamping assembly.

Slide the appliance into the surround opening until it rests against the marble backpanel.

Hook the leg of the bracket behind the backpanel and relocate onto the threaded wingnut stud.

Replace the wing nut and pull the bracket forwards to ensure a secure fit to the backpanel, and tighten the wingnut.

Where the bracket and wingnut are used the wire cable fixing kit may be discarded.



Installation into surround where use of the bracket is not possible.

If installation is not possible using the clamping bracket, then the wire cable fixing kit should be used as an alternative securing method.

The wire cable fixing kit comprises of:

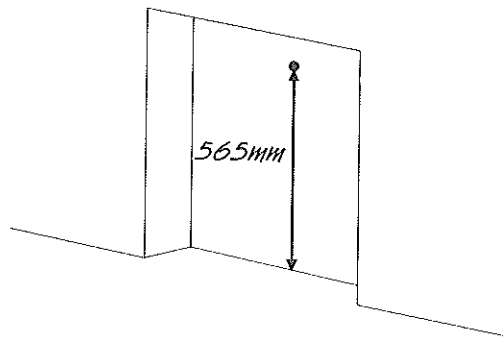
1 x Eyebolt.

1 x Rawlplug.

1 x Cable.

1 x Cable clamp and adjuster.

Mark the position of the mounting hole as shown in the diagram. Drill using a suitably sized bit and insert the rawlplug.



7.0 SECURING THE APPLIANCE (continued)

Screw the eyebolt into the rawlplug.

Thread the tensioning cable through the hole in one of the case mounting brackets located on the top of the appliance. Feed the cable through the eyebolt and back through the hole in the other mounting bracket.

Insert the appliance into the fireplace opening, centralise and pull the cable through until tight.

Thread the tensioner bolt onto the cable ensuring the nut is screwed down close to the tensioner head. Slide the screwed nipple on to the cable, pull taut and tighten nipple.

Adjust tensioner using a suitable spanner to secure the appliance into position.

NOTE: Do not over tighten tensioning cable. It serves only as additional stability for the appliance.

8.0 FITTING THE DECORATIVE FIREFRAME

(Vectaflame BRASS and Vectaflame PLATINUM only)

Screw the four self tapping screws partially into the holes on the inner face of the decorative fireframe. *Do not tighten* at this stage, leave the screws loose.

Locate the canopy mounting slots onto the screws and then tighten.

Unscrew the two self tapping screws from the lower front edges of the main fire body.

Locate the decorative fireframe onto the two brackets on top of the appliance.

Insert the two self tapping screws through the holes in the fireframe and secure to the appliance.

9.0 FITTING THE CAST FRONT

Vectaflame KENSINGTON

The complete cast front may now be fitted to the appliance.

Unscrew the two long self tapping screws from the lower front edges of the appliance.

Locate the casting assembly onto the brackets on the top of the appliance main body.

Fix the casting to the appliance using the aforementioned self tapping screws through the two holes on the casting front face behind the ashpan door area and into the previously mentioned holes in the appliance.

When fixing the casting ensure that the retaining screws and washers are correctly assembled.

Vectaflame BRASS and Vectaflame PLATINUM

The Black/Brass or Black/Silver cast front fender may now be fitted to the appliance.

Locate bottom edge of the fender on to the bracket mounted below the firebed on the front of the appliance and slide the ashpan door into place

10.0 ASSEMBLING FUEL BED

Ensure that the fuel bed is correctly located within the base of the appliance.

Remove the loose coals from the bag and carefully arrange into position over the fuel bed base. Ensure that the coal pieces are secure and not liable to displacement.

11.0 OPERATING THE APPLIANCE

Check that the firefront is not covered or obstructed in any way.

Ensure the power supply to the fire is switched on.

The appliance is controlled using three switches mounted on the right hand side of the fire, near the top.

The top switch controls the fuel effect display, this may be used alone for visual effect only.

The middle switch operates the fan heater on the LOW setting (1kW).

The lower switch operates the fan heater on the HIGH setting (2kW).

To operate the fire, the top (fuel effect) switch must be turned on first, followed by the middle switch for the LOW setting, and both the middle and lower switches for the HIGH setting.

It is not possible to obtain heat from the appliance unless the fuel effect switch is on in conjunction with one or both the other switches.

12.0 SAFETY CUTOUT SYSTEM

This appliance has a safety cutout system fitted which will activate if the air inlets or outlets are obstructed. For safety reasons the fire will NOT switch on again automatically, and the following procedure must be carried out before the fire can be operated.

Switch OFF the appliance *at the wall* socket or outlet.

Leave the fire OFF for at least 10 minutes, ensuring all obstructions are removed.

Switch the appliance ON *at the wall*.

Ensure the appliance is turned ON at the control switches.

If the fire does not come ON, repeat the above procedure. If an attempt to switch on the appliance is made before the safety cutout has reset, the fire will lock out for a further period of time.

If the sequence has been followed correctly, and the appliance still fails to come on, check the fuse in the wall outlet. If the fire still fails to function, call an electrician or maintenance engineer.

13.0 MAINTENANCE

ALWAYS DISCONNECT THE APPLIANCE FROM THE MAINS SUPPLY BEFORE UNDERTAKING ANY MAINTENANCE.

Excluding lamps and fuses, use only genuine spare parts available from your supplier.

Replacement lamps must be of the same wattage and specification as those stated in Section 3.0 Appliance Data.

The fuel effect bulb can be replaced by removing the overlay coals and orange fuel bed base. The bulb may then be removed using the same "push and twist" action required when replacing a standard domestic light bulb. Re-assembly is the reverse of above.

To replace the fuel effect strip light the appliance will have to be removed from the installation to gain access to the panel door located in the right side of the appliance.

Remove the panel door, and disconnect the small electrical connection behind it.

Undo the plastic wingnut and remove the cross headed screw.

Pull the striplight assembly out of the drum. Twist the large end cover in the direction of the marked arrow and pull the striplight tube up and out.

13.0 MAINTENANCE (continued)

Install the new striplight tube and twist the cover clockwise to align with the tube. Replace the assembly into the drum.

Loosely refit the cross headed screw and tighten wingnut. Tighten cross headed screw.

Push the electrical connectors together, taking care to align the 'D' shaped heads correctly. Any spare cable should be fed down the hole until the connector sits neatly upright.

Refit the panel door.

14.0 CLEANING

Before carrying out any of the following operations, ensure that the fire is OFF and COLD.

There is no specific requirement for care of the fire other than a regular cleaning of the air inlet grille. This should be carried out using a soft cloth or a vacuum cleaner. The grille is located underneath at the front of the appliance and can be accessed by the removal of the ashpan door.

The loose coals may be dusted in situ using a feather duster (or similar) or may be removed and individually washed if desired. The coals must be dried thoroughly before refitting.

The *Vectaflame BRASS* and *Vectaflame PLATINUM* fireframes are not removable for cleaning. A wipe with a dry cloth is normally sufficient but on stubborn stains it is permissible to use a damp cloth and a mild household detergent, followed by a wipe with a dry cloth. DO NOT use abrasive cleaners as they can damage the finish.

The *Vectaflame BRASS* and *Vectaflame PLATINUM* firefront fender and ashpan door may be cleaned using a dry cloth or vacuum cleaner. Stubborn stains can be removed using a damp cloth in a similar manner to the fireframe above. Brass parts on the firefront cannot be cleaned using a brass cleaner as they are coated with lacquer. Take care when removing the firefront as the loose coals will fall out.

The *Vectaflame KENSINGTON* cast iron firefront is not removable for cleaning. A wipe with a dry cloth is normally sufficient but on stubborn stains it is permissible to use a damp cloth and a mild household detergent, followed by a wipe with a dry cloth. DO NOT use abrasive cleaners as they can damage the finish. The ashpan door may be removed for cleaning in the same manner.

15.0 SPARES

Refer to Section 3.0 Appliance Data for lamp specifications.

Excluding lamps and fuses, use only genuine manufacturers spare parts available from your supplier.

IF IN ANY DOUBT DURING ANY STAGES DETAILED IN THESE INSTRUCTIONS, PLEASE CONSULT A QUALIFIED ELECTRICIAN