

**FOCAL  
POINT  
FIRES** plc

# AVANT

## Replacement Chairbrick

### ASSEMBLY & INSTALLATION INSTRUCTIONS

All instructions must be handed to the user for safekeeping

Revision A 07/03

Country(s) of destination: GB, IE

Focal Point Fires plc, Avon Trading Park, Christchurch, Dorset BH23 2BT

☎: (01202) 499330

Fax: (01202) 499326

[www.focalpointfires.co.uk](http://www.focalpointfires.co.uk)

e-mail: [sales@focalpointfires.co.uk](mailto:sales@focalpointfires.co.uk)



# 1.0 CERAMIC TILE FITTING INSTRUCTIONS

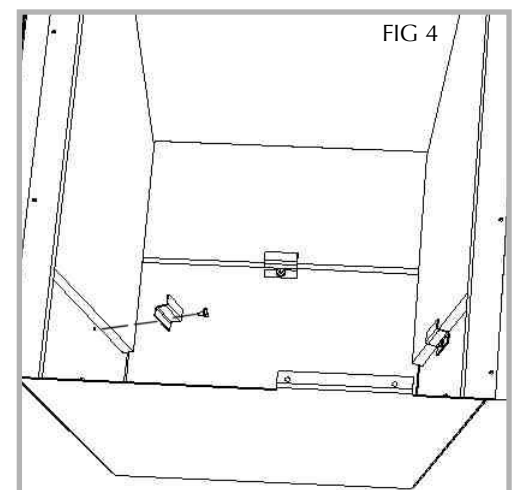
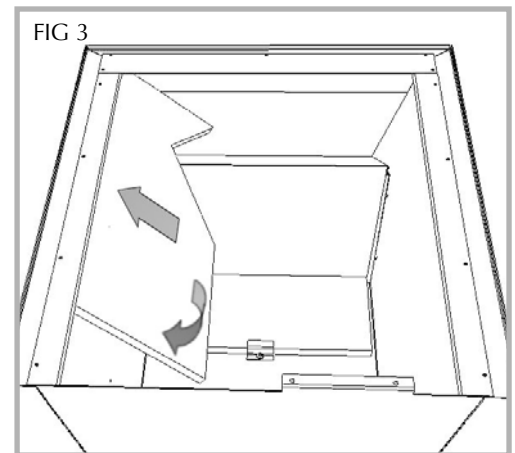
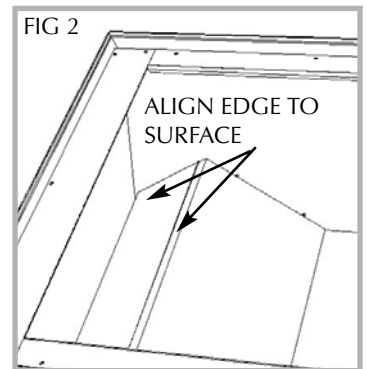
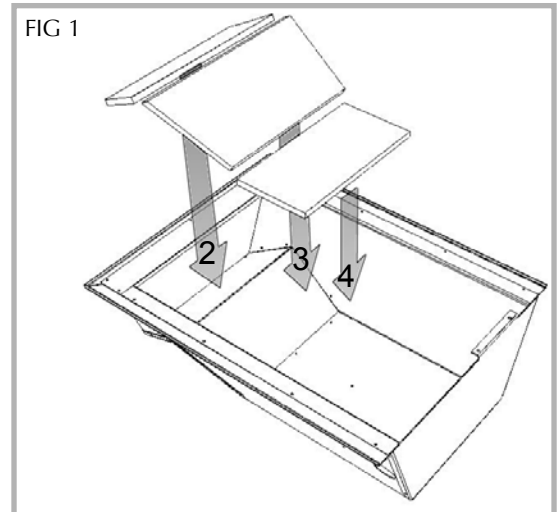
- 1) Unpack the all the components and fixing kit contained in the box. At this stage it may be advisable to use some of the packaging cardboard to protect the surface on which you will assemble the hotbox.
- 2) Lay the metal box on its back. Unpack the ceramic tiles from their box and place the two (largest) side tiles to one side. Take the smallest tapered tile and with its best side facing up, lay it on to the top rear panel of the box.
- 3) The other tapered tile is placed on to the panel below this with its angled edge facing up. The angled edge should be lined up with previous tiles surface and may need adjusting throughout these instructions (fig2).
- 4) The oblong tile is placed below the large tapered tile with it best side facing up.

NOTE: CERAMIC TILES WILL DAMAGE IF EXCESSIVE FORCE IS USED IN FITTING.

- 5) Take the left hand side tile (fig 3) and with the marked side facing toward the box offer its longest edge in to the groove that runs down the inside left of the box. Slide the tile up the groove until it is resting against the inner top of the box. Rotate the back edge of the tile inwards, far enough so that you can grip its back edge.
- 6) Gently but firmly push the tile in to the groove all the way along its length, taking great care at the top edge where it is most vulnerable. Ungrip the rear edge and begin gently pushing in all along its rear profile until it lays flat on the boxes side panel. Do not over force the tile in to position, if it is excessively difficult try pushing it further in to the groove before retrying.
- 7) Repeat steps 5 & 6 for the right hand tile.
- 8) Realign rear tile edges and positions if necessary.
- 9) Remove the three Z brackets and No.8 x 1/4 screws from the fixing kit. Clamp the bottom of each side tile with the Z bracket as shown (fig 4), securing them in to the box with the screws. Repeat this process for the rear tile ensuring that the surface beneath the box is protected from the screw tip. Fit the Avant Hotbox in to the fireplace opening in accordance with the Avant 16" Tapered Inset instructions.

The appliance is supplied with a decorative frame in a variety of finishes. The frame is held onto the firebox as a three piece clip-on assembly.

The clip-on frame pieces should be hooked over the outer edges of the fireframe, and pushed firmly home. The sides should be fixed first, followed by the top bar, which overlaps the sides. Push firmly home. A plastic protective film may be applied to the outside of the frame and should be removed at this stage.



**IMPORTANT : Due to the possibility of sharp edges, care should be taken when handling the three-piece frame components. The use of protective gloves is recommended.**

## 2.0 INSTALLATION REQUIREMENTS

This firebox has been designed to fit into a builders' opening or fireplace conforming to BS 1251 (and meeting certain dimensional requirements), This firebox must be installed onto a suitable non-combustible insulating surface at least 12mm thick, covering the entire base area of the box. The fireplace opening should be inspected and repairs made where necessary.

The opening WIDTH and HEIGHT dimensions should be between 400mm and 440mm wide, and 550mm to 575mm high.

Opening DEPTH should be 220mm or greater. Opening DEPTHS include any plaster or infill panels which form part of the installation. The opening wall must be non-combustible.

This installation requires a hearth with non-combustible surface of at least 12mm thick. The top surface must be at least 50mm above the surrounding floor level, or be surrounded by a raised edge or fender 50mm high.

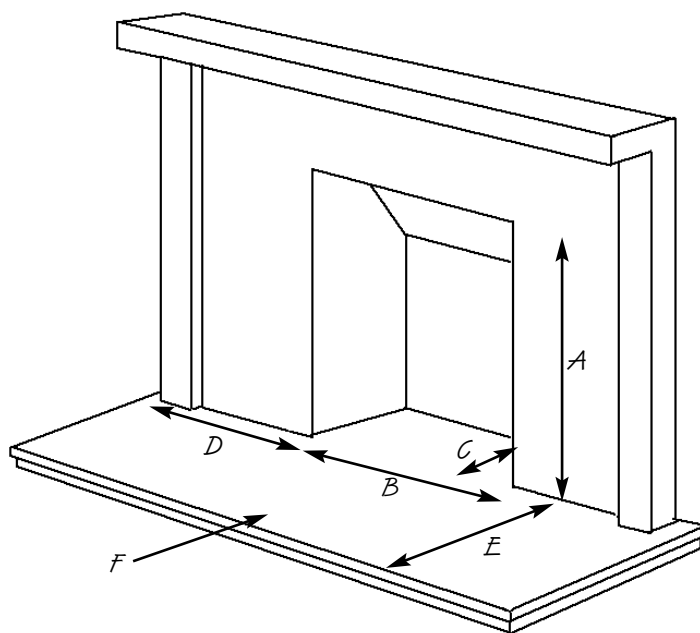
Any type of fire surround used with this appliance must be adequately sealed to the wall and floor.

A combustible shelf may be fixed to the wall above the fire, providing that it complies with the dimensions given below. A non-combustible shelf may be fitted to within 10mm of the top edge of the fireplace opening.

Combustible materials, such as wood, may be fitted to within 100mm (4in) of either side of the fireplace opening, providing the forward projection does not exceed 100mm (4in).

Any combustible side walls must be at least 500mm to the side of the radiant heat source.

As with all heating appliances, any decorations, soft furnishings, and wall coverings (i.e. flock, blown vinyl and embossed paper) positioned too close to the appliance may discolour or scorch.

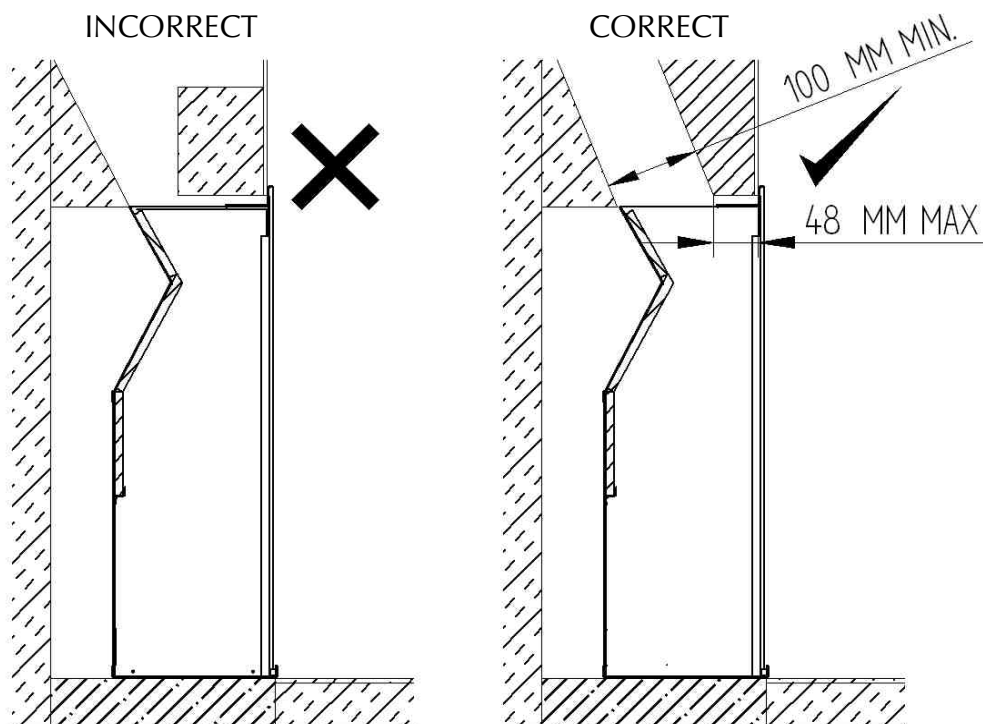


- A. Opening height: 565mm min/575 mm max.
- B. Opening width: 405mm min/440mm max.
- C. Mounting depth: 205mm
- D. Hearth must extend minimum of 150mm either side of the opening.
- E. Hearth must extend minimum of 300mm in front of the opening.
- F. Non-combustible hearth must be a minimum of 50mm in height, or be surrounded by 50mm high fender.

## 2.0 INSTALLATION REQUIREMENTS - continued

**Important - Ensure that the opening in the top of the firebox is not obstructed by any brickwork or lintel.**

Any brickwork or lintel that does overhang the opening of the firebox must be at least 50mm from the opening in the top of the firebox, and should be arranged such that smooth transition of combustion products into the flue is assured. The depth of any throat present in the flue should be a minimum of 100mm.



## 3.0 VENTILATION

No purpose provided ventilation is normally required for this appliance. The requirements of other appliances operating in the same room or space must be taken into consideration when assessing ventilation.

If spillage is detected when commissioning the appliance then amongst other problems there may be insufficient natural ventilation for the correct operation of the flue. This is potentially a greater problem should the property be of modern nature. If the appliance does not spill with windows open but does with windows closed, this proves that lack of ventilation is the problem, if not, it will be the flue at fault. Installation of an air brick is the best solution. Any ventilation fitted must comply with BS 5871 part 2 and BS 5440 part 2. Ventilation located underneath or within the immediate vicinity of the fire **MUST NOT** be used as it may adversely affect the performance of the O.D.S. system.

Spillage detected during commissioning is almost always a result of poor flue performance, which cannot be corrected by any amount of ventilation.

For Republic of Ireland ventilation may be required, see IS 813, ICP3, IS 327, and any other rules in force.