



# **RENOIR RC**

## **RADIANT CONVECTOR GAS FIRE**

**Installation, Maintenance & User Instructions**

**Hand these instructions to the user**

**Model No. FRECN0RN & FRECR0RN is for use on Natural Gas (G20)  
at a supply pressure of 20 mbar in G.B. / I.E.**

## Contents

<b>Installation Instructions</b>		<b>Page</b>
Appliance Data		3
Section 1	1.1 Conditions of Installation.	4
	1.2 Flue & Chimney Suitability	4
	1.3 Fireplace/Surround Suitability	5
	1.4 Shelf Position	5
	1.5 Side Clearance	5
	1.6 Closure Plate	5
	1.7 Flue & Chimney inspection	5-6
	1.8 Chimney Catchment space	6
	1.8.1 Brick Built Chimney	6-7
	1.8.2 Fitting to Pre-Fab. Twin Wall Metal Flueboxes	7
	1.8.3 Fitting to Pre-Cast Flue Installations	8
	1.9 Hearth Fitting	8
	1.10 Spillage Monitoring System	8
Section 2	2.1 Packing Check List	9
	2.2.1 Installation of Fire	9-10
	2.2.2 Closure Plate Fitting	10
	2.3 Fitting Spigot to Firebox	11
	2.4 Gas Tightness	11
Section 3	3.1 Assembly of Fuelbed	12-14
	3.2 Connecting the battery pack	15
	3.3 Fixing the Infra-Red Sensor in position	16
	3.4 Lighting the appliance	17
	3.5 Checking for clearance of combustion	18
	3.6 Final Checks	19
Section 4		
<b>Maintenance Instructions</b>		
	4.1 General Access for Servicing	20
	4.1.1 Removal of the Upper Canopy	20
	4.2 Removal of the Burner Assembly	20-21
	4.3 Removal of the Control Valve	21
	4.4 Removal of the ODS	22
	4.5 Removal of the Control Board	23

## **APPLIANCE DATA**

Main injector (1 off)	Bray Elbow size 360, Cat 82
Pilot Type. Type	Copreci Single Flame 21100 / 162
Max. Gross Heat Input :	6.0 kW
Min. Gross Heat Input :	1.8 kW
Cold Pressure :	20.0 +/- 1.0 mbar (8.0 +/- 0.4 in w.g.)
Ignition :	9V battery / electronic ignition
Electrode Spark Gap :	4.0 mm
Weight (Packed) :	25.0kg

### **Firebox Dimensions (with case fitted)**

Width : (with fender fitted)	685mm
Height : (with feet fitted)	700mm
Depth : (with fender fitted)	325mm
Height to top of the flue spigot :	490mm (with feet fitted)
Gas Connection :	8mm compression (Supplied with fire)

### **EFFICIENCY DECLARATION**

**The efficiency of this appliance has been measured as specified in BS 7977-1 : 2002 and the result is 70%.**

**The gross calorific value of the fuel has been used for this efficiency calculation.**

**The test data from which it has been calculated has been certified by Advantica.**

**The efficiency value may be used in the UK Government's Standard Assessment Procedure (SAP) for energy rating of dwellings.**

## 1.1 CONDITIONS OF INSTALLATION

### **In Great Britain :-**

It is law that all gas appliances are installed only by a CORGI registered installer in GB, in accordance with these installation instructions and the Gas Safety (Installation and use) Regulations 1998. Failure to install appliances correctly could lead to prosecution. It is in your own interest and that of safety to comply with the law.

The installation must also be in accordance with all relevant parts of the Local and National Building regulations where appropriate, the Building Regulations (Scotland Consolidation) issued by the Scottish Development Department, and all relevant recommendations of the following British Standard Code of Practice.

1. B.S. 5871. Part 1. Installation of Gas Fires.
2. B.S. 5440.: 2000 Parts 1 & 2. Installation of Flues & Ventilation.
3. B.S. 6891. Installation of Gas Pipework.
4. B.S. 6461. Part 1. Installation of Chimneys & Flues.
5. B.S. 1251. Open Fireplace Components.
6. B.S. 715. Metal Flue pipes for Gas Appliances.
7. B.S. E.N. 1858 Chimneys Components & Concrete Flue Blocks
8. B.S. 7566 Installation of factory-made Chimneys.

### **Ventilation Requirements**

**For use in G.B. purpose built ventilation is not normally required for this appliance.**

### **In Republic of Ireland :-**

**For use in I.E. this appliance must be installed in accordance with the rules in force by a competent person and used only in a sufficiently ventilated space. Please consult document *I.S. 813 : 1996 Domestic Gas Installation*, issued by the National Standards Authority of Ireland.**

## 1.2 FLUE AND CHIMNEY SUITABILITY

The appliance is designed for use with conventional brick built chimneys or lined chimneys and pre – fabricated flues. It is also suitable for use with pre-cast flue blocks conforming to BS EN 1858 and metal flue boxes conforming to BS 715. All flues must conform to the following minimum dimensions.

<b>Minimum diameter of circular flues</b>	<b>125 mm</b>
<b>Minimum effective height of all flue types</b>	<b>3 metres</b>
<b>Minimum cross sectional area of Pre-cast Flues</b>	<b>16,500mm<sup>2</sup></b>

### 1.3 FIREPLACE / SURROUND SUITABILITY

The fire is suitable for hearth mounting or wall mounting. It must **not** be fitted directly onto a carpet or other combustible material. It must **not** be fitted to combustible walls.

This fire is suitable for the following hearth / surround types:

Non-combustible hearths / surrounds.

Purpose made proprietary hearths / surrounds with a minimum temperature rating of 150°C.

**If a heating appliance is fitted directly against a wall without the use of a fireplace or fire surround, soft wall coverings such as wallpaper, blown vinyl, etc. could be affected by the heat and may, therefore scorch or become discoloured. Please bear this in mind when installing or decorating.**

### 1.4 SHELF POSITION

The fire may be fitted below a combustible shelf providing there is a minimum distance of 200 mm above the top of the fire and the shelf does not project more than 150 mm. If the shelf overhangs more than 150 mm the distance between the fire and the shelf must be increased by 25 mm for every 25 mm of additional overhang over 150 mm.

### 1.5 SIDE CLEARANCE

A minimum clearance of 100mm should be allowed on either side of the fire for servicing. Any fire surround uprights should not project forward by more than 100mm.

NOTE. The fire must be installed so that no part of a combustible side wall when measured laterally is less than 500mm from the radiants.

### 1.6 CLOSURE PLATE

A closure plate is supplied with this fire and **must** be fitted. The closure plate must be sealed to the fireplace or surround opening with suitable adhesive tape. See section 2.2.2

### 1.7 FLUE / CHIMNEY INSPECTION

Before commencing installation, a flue or chimney should be inspected to ensure that all the following conditions are satisfied.

- a) Check that the chimney / flue only serves one fireplace and is clear of any obstruction. Any obstruction. Any dampers or register plates must be removed or locked in the open position.

- b) Brick / stone built chimneys and any chimney or flue which has been used for an appliance burning fuel other than gas must be thoroughly swept. The base of the chimney / flue must also be thoroughly cleared of debris etc.

Any under floor air supply to the fireplace must be completely sealed off.

Ensure that the inside of the chimney/flue is in good condition along its length and check that there is no leakage of smoke through the structure of the chimney during and after the smoke pellet test.

With pre-cast flues it is especially important to check the inside of the flue for extruded cement / sealant protruding from the joints between the flue blocks. If present, these should be removed by rodding the flue before proceeding with the installation.

Using a smoke pellet, check that there is a positive up draught present in the chimney / flue and that the smoke can be seen issuing from the terminal / chimney pot outside. There must be no leakage of smoke through the structure of the chimney during or after the smoke pellet test and it is important to check inside upstairs rooms adjacent to the chimney / flue. Check the chimney pot / terminal and general condition of the chimney brickwork or masonry. If the chimney or flue is in poor condition or if there is no up draught do not proceed with the installation. If there is a history of down draught conditions with the chimney / flue, a tested and certified flue terminal or cowl suitable for the relevant flue type should be considered.

**A spillage test must always be carried out during commissioning of the appliance.**

## **1.8 CHIMNEY CATCHMENT SPACE.**

### **1.8.1 Brick Built Chimneys.**

The catchment space below the flue spigot should be as deep as possible, and must not be less than 250mm measured from the bottom of the flue spigot to the bottom of the catchment space, or to the top of any "bricking-up" of the fireplace, whichever is the least. See Fig. 1.

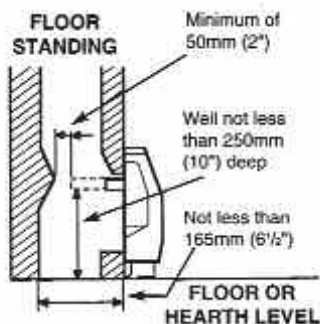
The flue spigot must pass through the closure plate at least 25mm and have a minimum clearance of 50mm between its open end and the nearest obstruction. There must be a minimum clearance of 165mm between the back of the closure plate and the back of the catchment space. See Fig. 1 overpage.

The front opening of the fireplace must be between 305mm and 440mm wide, and between 500mm and 650mm high. If the opening is larger than this, then a surround must be constructed in a suitable non-combustible material to create an opening to these limits. Allow a minimum flat surface of 20mm around the opening to ensure that the closure plate can be sealed to the fireplace.

Any surround must be sealed to the fireplace to prevent leakage. The operation of the chimney should be tested as detailed as in section 1.7.

Note. A flue spigot extension of up to a maximum total length of 125mm may be fitted if necessary, providing that a minimum clearance 50mm between its open end and nearest obstruction is always maintained.

**Fig.1. Chimney Catchment Space.**



### 1.8.2 Fitting to Pre-Fabricated twin wall metal Flue Boxes.

The appliance may be fitted to a twin wall metal flue box conforming to the constructional requirements of BS 715, (for example the Selkirk LFE 125 box). The box must have a minimum flue diameter of 125mm internal and minimum internal dimensions of 160mm deep by 580mm high by 350mm wide. There are no maximum dimensional requirements for the box. The top face of the box must be insulated with a minimum thickness of 50mm of non-combustible mineral wool insulation or similar material. The flue box must stand on a non-combustible base of minimum thickness 12mm.

### 1.8.3 Fitting to Pre-Cast Flue Installations.

The pre-cast opening must be a minimum of 16,500mm<sup>2</sup> in cross-sectional area and have a minimum effective flue height of 3 metres. The flue spigot restrictor must be removed when installing into pre-cast flue applications. **This appliance has been tested for use in a pre-cast flue block complying with BS EN 1858. In accordance with BS EN 1858, pre-cast flues built with directly plastered faces (front or rear) are not correctly installed as to ensure proper operation with any type of gas fire. In some instances of this flue construction, temperature cracking of surface plaster may occur through no fault of the appliance. An air gap or some form of insulation material should be installed to prevent normal flue temperatures from damaging wall surfaces.**

## 1.9 HEARTH FITTING

This appliance must only be installed on to a level concrete or non-combustible hearth. The feet must not be removed when installing directly onto a hearth. The hearth material must be a minimum thickness of 13 mm with the top surface at least 50 mm above the floor level. The hearth **must** be fitted symmetrically about the fire opening and have a minimum width of 760 mm and a minimum projection of 300 mm forwards from the fire opening.

## 1.10 SPILLAGE MONITORING SYSTEM

This appliance is fitted with an atmosphere sensing spillage monitoring system in the form of an oxygen sensing pilot. This is designed to shut the fire off in the event of partial or complete blockage of the flue causing a build up of combustion products in the room in which the fire is operating. **The following are important warnings relating to the spillage monitoring system:**

The spillage monitoring system must not be adjusted by the Installer. The spillage monitoring system must not be put out of action. When the spillage monitoring system is exchanged, only a complete original Manufacturers part may be fitted. It is not possible to replace individual parts on the pilot system on the appliance, only a complete pilot assembly (including thermocouple) may be fitted.



## 2.1 PACKING CHECK LIST

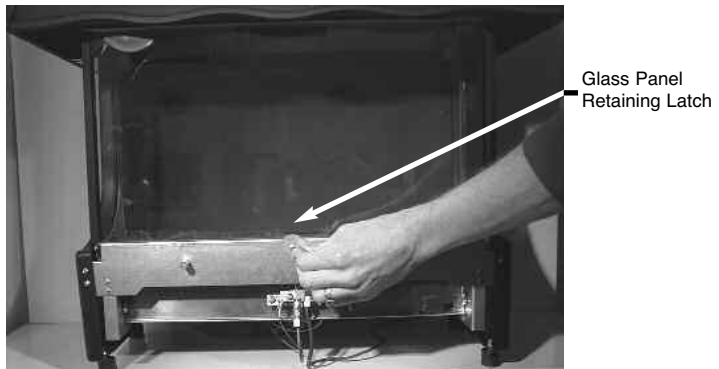
- 1 off Firebox / Burner Assembly
- 1 off Flue Spigot
- 1 off Closure Plate
- 1 off Literature / Loose Items Pack
- 1 off Fuelbed
- 1 off Coal Pack
- 1 off Remote Handset

## 2.2 INSTALLATION OF FIRE

### 2.2.1 Preparation.

- a) Remove the glass panel by rotating the latch to release. Lift the glass panel upwards and lift away. See Fig. 2.

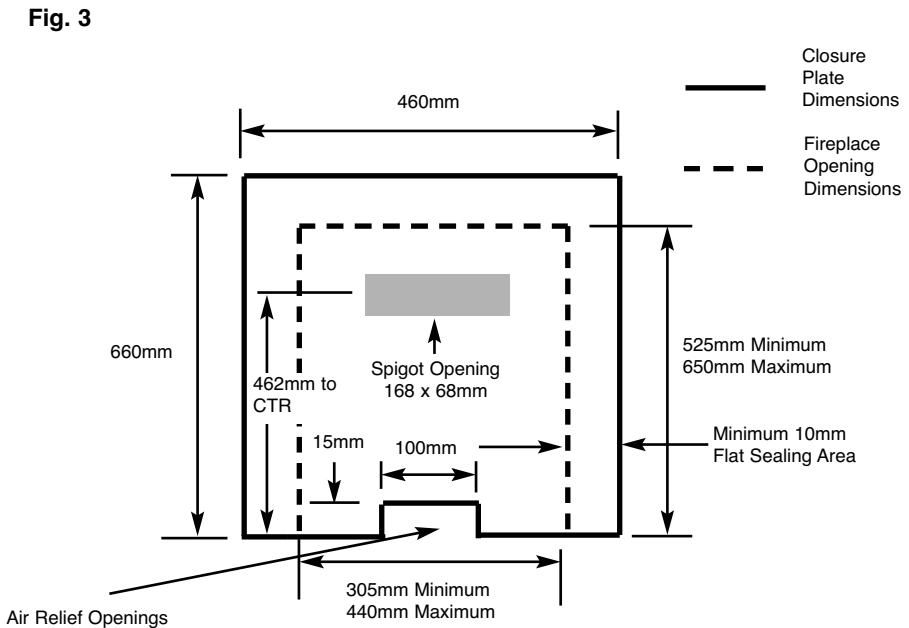
**Fig. 2 Remove the Glass Panel**



- b) Grasp sides of the of the glass panel and pull lower edge forward.
- c) Remove the coal / fuelbed packs that have been retained by the glass panel (not shown in Fig. 2 above)
- d) To re-fit the glass panel, engage the 2 side glasses in the sealing channels, with the projecting glass edge uppermost. Slide the panel up until the top edge enters the slot, then push the lower edge in and turn the latch to secure it.

## 2.2.2 Closure plate

- a) Fit the closure plate to the fireplace opening and ensure that it has a flat sealing area of at least 10mm sealed on all sides. See Fig. 3 below  
Dimensions stated are for closure plate supplied



Check the operation of the chimney as follows:-

Apply a smoke match to the flue spigot opening in the closure plate and observe the smoke. If there is a definite flow into the opening then proceed with the installation. If there is not a definite flow into the opening, pre-heat the chimney for about two minutes and retest for flow. If there still is no definite flow into the opening, the chimney may require attention. **DO NOT FIT THE FIRE-SEEK EXPERT ADVICE.**

## 2.3 FITTING THE SPIGOT TO THE FIREBOX

- a) Screw the firebox spigot to the draught diverter with the four screws, 2 off upper (as shown below in Fig. 4) & 2 off lower screws (not pictured) .

Fig. 4



4 off Flue Spigot  
Fixing screws

**Note :** A means of isolation must be provided near to the appliance to facilitate servicing.

Ensure that the gas supply is turned off before commencing.

The gas connection should be made to the appliance inlet elbow using 8 mm rigid tubing. The gas connection can be made left hand, right hand or rear. In line with current installation regulations, a restrictor should be fitted to the inlet pipework to isolate the appliance for servicing and repair purposes.

**Before making the final gas connection, thoroughly purge the gas supply pipe work to remove all foreign matter, otherwise serious damage may be caused to the gas control valve on the fire.**

## 2.4 GAS TIGHTNESS

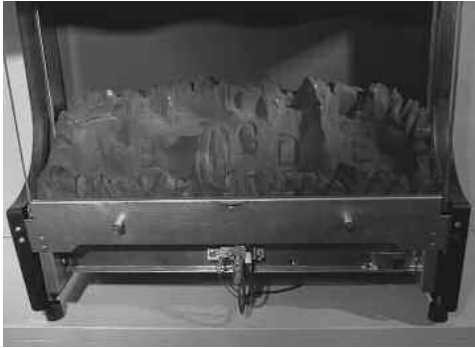
- a) Remove the pressure test point screw from the inlet elbow and fit a manometer.
- b) Turn on the main gas supply and light the fire as described in section 3.4 and carry out a gas tightness test.
- c) Check that the gas pressure is 20.0 mbar ( $\pm 1.0$  mbar), 8.0 in w.g.  $\pm$  0.4 in w.g.
- d) Turn off the fire, remove the manometer and refit the pressure test point screw. Check the pressure test point screw for gas tightness with the appliance turned on using a suitable leak detection fluid or detector.

### 3.1 ASSEMBLY OF THE FUELBED

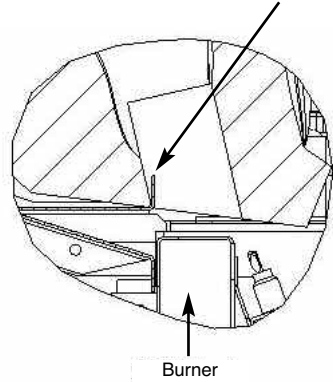
**NOTE :** The position of the fuel-bed components are critical to the performance of the product. Therefore please ensure that the fuel-bed components are positioned as described in the following section prior to requesting a service call due to soot build up, poor flame pattern etc.

- a) Fit the fuelbed base into the combustion chamber as shown below in Fig. 5. Ensure that the slot in the fuel-bed is located onto the lip on the fuel-bed base support.

**Fig. 5**



**Section View of Fuel-bed Base / Burner**      Locating Lip on Fuel-bed Support



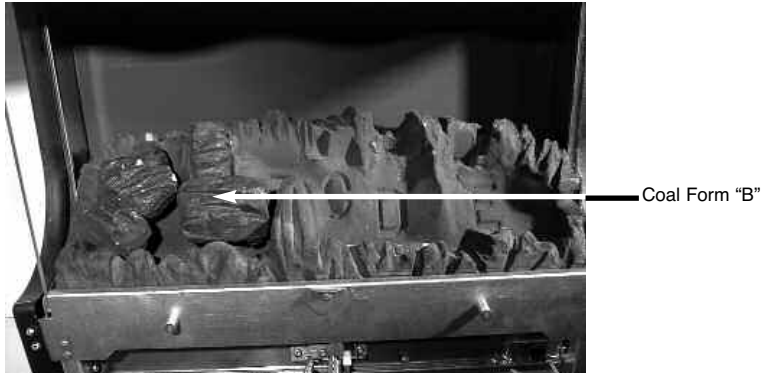
- b) Fit coal "A" onto the fuelbed base in the position as shown below in Fig. 6. The coal form has the individual placement letters stamped on the bottom face.

**Fig. 6**



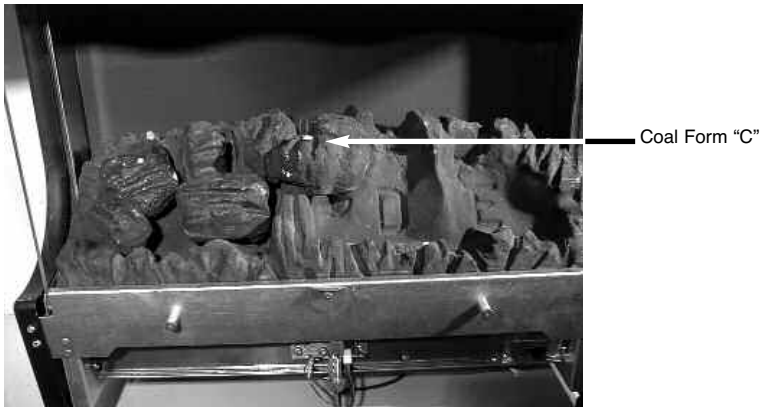
- c) Fit coal "B" onto the fuelbed base in the position as shown below in Fig. 7. The coal form has the individual placement letters stamped on the bottom face.

**Fig. 7**



- d) Fit coal "C" onto the fuelbed base in the position as shown below in Fig. 8. The coal form has the individual placement letters stamped on the bottom face.

**Fig. 8**



- e) Fit coal "D" onto the fuelbed base in the position as shown overpage in Fig. 9. The coal form has the individual placement letters stamped on the bottom face.

**Fig. 9**



- f) Fit coal "E" onto the fuelbed base in the position as shown below in Fig. 10. The coal form has the individual placement letters stamped on the bottom face.

**Fig. 10**

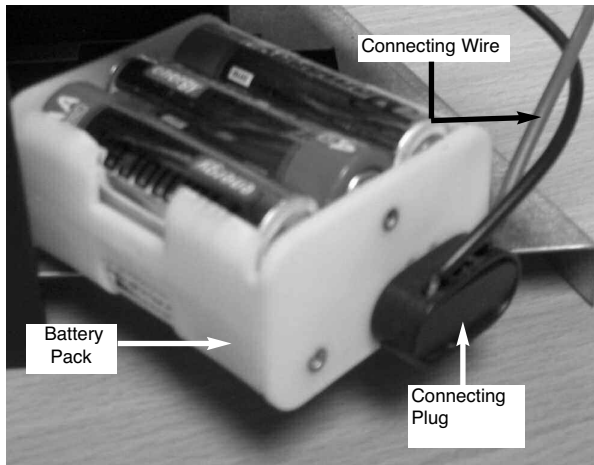


To ensure that the release of fibres from these R.C.F (Refractory Ceramic Fibre) articles is kept to a minimum, during installation and servicing we recommend that you use a HEPA filtered vacuum to remove any dust accumulated in and around the appliance before and after working on the appliance. When replacing these articles we recommend that the replaced items are not broken up, but are sealed within heavy duty polythene bags, clearly labelled as "RCF waste". RCF waste is classed as a "stable", non reactive hazardous waste and may be disposed of at a landfill licensed to accept such waste. Protective clothing is not required when handling these articles, but we recommend you follow the normal hygiene rules of not smoking, eating or drinking in the work area, and always wash your hands before eating or drinking.

### 3.2 CONNECTING THE BATTERY PACK

- a) To prevent un-necessary battery drain, the battery pack that is used to power the remote control function for this product is disconnected at the factory. Prior to attempting to light the product, can the installer please ensure that the battery pack is re-connected as described in section b), c) & d) below.
- b) Locate the battery pack in the support cradle at the bottom R/H side of the fire, behind the ashpan cover.
- c) The wire and connecting plug from the battery pack should then be connected into the supply wire running from the control board. See Fig 11 below.

**Fig. 11**

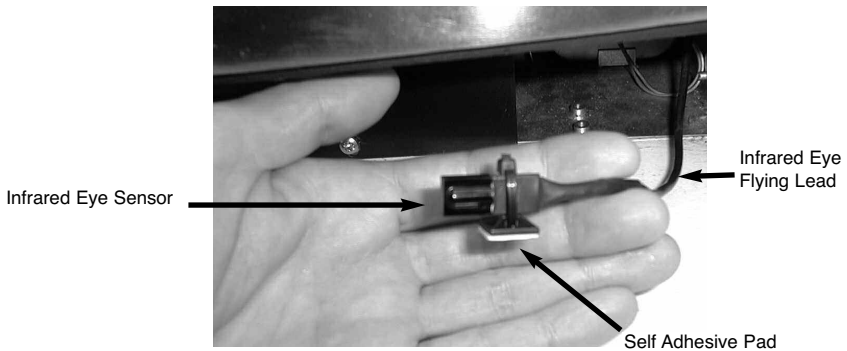


- d) Replace the battery pack into its mounting cradle below the fire / burner.

### 3.3 FIXING THE INFRARED SENSOR IN POSITION

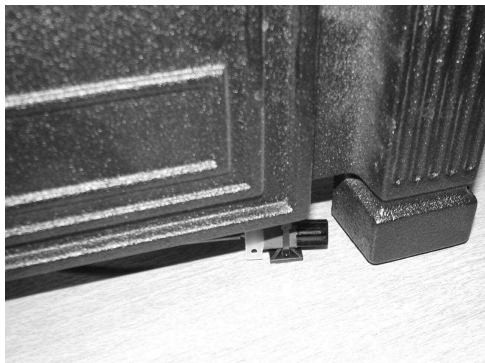
- a) The infrared sensor is supplied from the factory attached to a self adhesive pad. This pad can therefore be attached to the hearth in a position to suit the form of the ashpan that is supplied with the product Fig. 12 below shows the self adhesive pad and infrared eye attached to the flying lead, as supplied from the factory.

**Fig. 12**



- b) Remove the backing paper from the self adhesive pad and position the infrared eye in the corner of the ashpan cover, so that the infrared eye is flush with the front edge of the ashpan cover, as shown below in Fig. 13. Check the operation of the handset, as detailed in Section 3.3 and adjust the position of the infrared eye if necessary.

**Fig. 13**

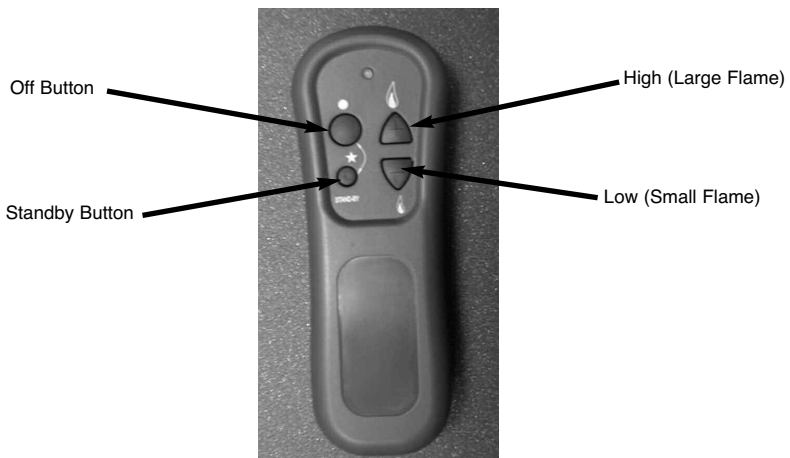




### 3.4 LIGHTING THE APPLIANCE

- a) The Remote control handset generates an infrared signal, which will be received by the sensor situated at the front right of your fire, behind the ashpan cover. This infrared signal requires direct line of sight from the handset to the sensor on the fire to ensure good operation. If the handset is lost or broken, the fire can be lit manually, see the user instructions for details on how to operate the fire manually.
- b) To light the appliance using the handset, point the handset at the fire and press the 2 left hand buttons together. The fire will emit a “beep” sound, the buttons can now be released. After a few seconds an audible clicking can be heard and then the fire will light the pilot and then light the main burner. The ignition cycle will take approximately 20 seconds.
- c) To reduce the level of heat input on the fire, point the handset at the fire and press the small flame button. (An audible beep will be heard)
- d) To increase the level of heat input on the fire, point the handset at the fire and press the large flame button. (An audible beep will be heard)
- e) To leave the fire in the standby mode (pilot only running) press the small round button on the handset.
- f) To switch the appliance off completely, press the large round button on the handset, the fire will then switch off. See fig. 14 below for image of handset

**Fig. 14**

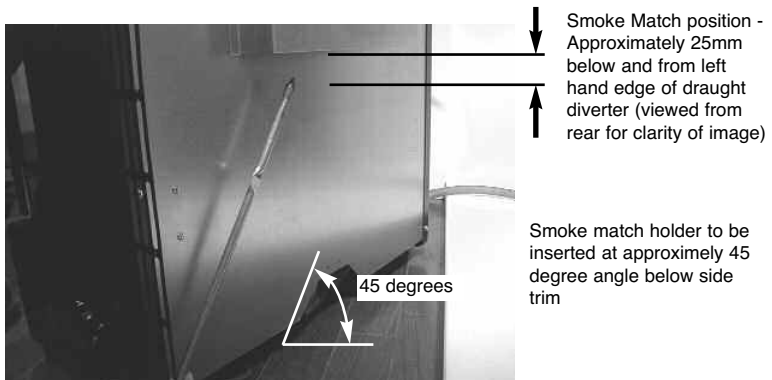


### 3.5 CHECKING FOR CLEARANCE OF COMBUSTION PRODUCTS

- a) Close all doors and windows in the room.
- b) Light the fire and turn to the maximum position.  
After 5 minutes hold the smoke match as shown in Fig. 15. Whilst holding the smoke match in the correct position, approximately 25mm below the lower edge of the draught diverter.  
Ensure that most of the smoke is drawn into the flue aperture. If in doubt repeat the exercise after a further 5/10 minutes.

**Note:-** It is recommended that the smoke match is fitted into an approved smoke match holder, when checking for clearance of combustion products.

**Fig. 15**



If there is an extractor fan fitted in a joining room, then the spillage test must be repeated with the fan switched on and running at maximum speed. All interconnecting doors must be opened in accordance with the latest issue of BS 5440.

#### IF SPILLAGE IS DETECTED

The cause must be discovered and the fault corrected. If the fault cannot be corrected disconnect the appliance from the gas supply and seek expert advice. Possible causes of spillage from the appliance are:- chimney restriction, down draught or insufficient air supply to the room.

- e) After ensuring that the fire is safe to use it should be left on "High" position to fully warm up. During this time a slight odour may be noticed, this is due to the "newness" of the fire and will soon disappear.

### **3.6 FINAL CHECK**

- a) Recheck the operation of the fire on all settings.
- b) Make sure that the User knows how to operate the fire and refer them to the User Book.
- c) Inform the User that the Model Number for ordering parts is shown on the Rating plate. This is located on the back plate of the fire and can be viewed by looking underneath the burner assembly. Inform the User the fire should be serviced annually for continued safe operation.
- d) Hand this instruction booklet to the customer.

## MAINTENANCE INSTRUCTIONS

### Servicing Notes

Servicing should be carried out annually by a competent person such as a registered engineer. The pilot assembly must also be changed, as a condition of the guarantee.

The service should include visually checking the chimney and fire opening for accumulations of debris and a smoke test to check for positive up-draught in the chimney.

The condition of the fuelbed ceramics & coals should be checked and if necessary the whole set should be replaced with a genuine replacement set. After any servicing work a gas tightness check must always be carried out.

### 4.1 GENERAL ACCESS FOR SERVICING

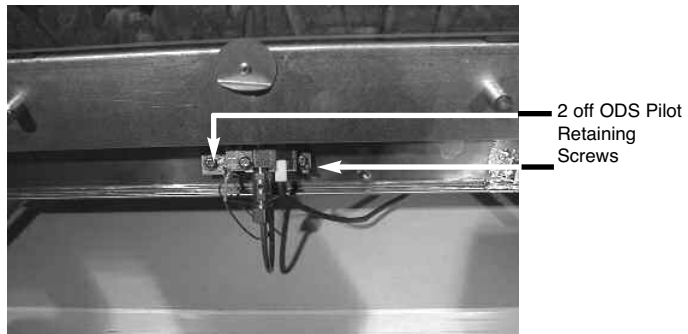
#### 4.1.1 TO REMOVE THE UPPER CANOPY / GLASS PANEL

- a) Prepare work area (lay down dustsheets etc.), Disconnect the appliance from the gas supply.
- b) Remove the four canopy rear fixing screws,
- c) Remove the glass front panel as described on page 9, (fig. 2)
- d) Re-assemble in the reverse order.

### 4.2 REMOVING THE BURNER ASSEMBLY FROM THE FIRE

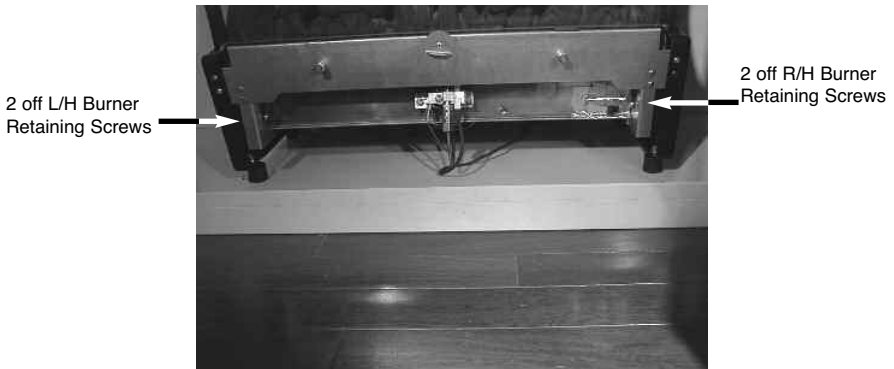
- a) Prepare work area (lay down dustsheets etc.), Disconnect the appliance from the gas supply.
- b) Remove the four canopy rear fixing screws
- c) Remove the glass front panel as described on page 9, (fig. 2)
- d) Remove the pilot retaining screws as shown below in fig. 16

Fig. 16



- e) Remove the four burner retaining screws as indicated in Fig. 17 below

**Fig. 17**



- f) Slide the burner assembly to the left, off the injector and remove the from the firebox.

#### **4.3 REMOVING THE CONTROL VALVE FROM THE FIRE**

- a) Disconnect the appliance from the gas supply.
- b) Remove the glass front panel as descibed on page 9, (fig. 2)
- c) Remove the coals and fuel-bed matrix. Pull the fire forwards and tilt fire onto its back to allow access to valve underneath (situated in centre)
- d) Disconnect the pilot pipe, inlet pipe, valve to injector pipe and thermocouple connection.
- e) Replace in reverse order and carry out a gas tightness test

#### 4.4 REMOVING THE ODS- PILOT ASSEMBLY

**Note :** Prior to replacing the oxy-pilot on this product due to suspected failure of the component, please remove all debris that has collected on the lint guard of the oxy-pilot itself.

**Note :** Because this appliance is fitted with an atmosphere sensing ODS-pilot it is not possible to replace the thermocouple separately, because the thermocouple position is factory set to a tight tolerance. Any replacement of parts on the pilot requires a complete new pilot assembly.

- a) Remove the pilot retaining screws as described in section 4.2 d) & fig. 16.
- b) Disconnect the pipe pipe and push fit ignition lead
- c) Replacement new ODS in reverse order.

#### 4.5 REMOVING THE CONTROL BOARD

- a) Disconnect the appliance from the gas supply.
- b) Remove the glass front panel as described on page 9, (fig. 2)
- c) Remove the coals and fuel-bed matrix. Pull the fire forwards and tilt fire onto its back to allow access to control board underneath (situated in centre).
- d) Disconnect the wiring looms
- e) Replace in reverse order, re-connect to gas supply and carry out a gas tightness test

#### PARTS SHORTLIST

Replacement of any parts must be carried out by a competent person such as a CORGI registered gas installer. The part numbers of the replaceable parts are as follows, these are available from specialist spares stockists whose details can be found on our web site, [www.bfm-europe.com](http://www.bfm-europe.com), in the 'stockist' section.

Coal set	FC-P085332	ODS Pilot (NG)	B-49710
Fuelbed	B-123570	EDB Control Board	B-106800
Gas valve (NG)	B-106790	Battery Holder	B-106820
Rear Fibre board	B-65320	Remote Handset	B-63600
Glass Assy (Front)	SFA-085165		



# RENOIR RC

## RADIANT CONVECTOR GAS FIRE

### User Instructions

This section of the instructions should be read by the user before operating the appliance and retained for future reference

Model No. FREC00RN & FRECR0RN is for use on Natural Gas (G20) at a supply pressure of 20 mbar in G.B. / I.E.

## INSTALLATION INFORMATION

### CONDITIONS OF INSTALLATION

It is the law that all gas appliances are installed only by a competent (e.g. CORGI Registered) Installer, in G.B. in accordance with the installation instructions and the Gas Safety (Installation and Use) Regulations 1998. Failure to install appliances correctly could lead to prosecution. It is in your own interest and that of safety to comply with the law.

The fire may be fitted below a combustible shelf provided that the shelf is at least 200mm above the top of the appliance and the depth of the shelf does not exceed 150mm.

The fire may be installed below combustible shelves which exceed 150mm deep providing that the clearance above the fire is increased by 15mm for each 25mm of additional overhang in excess of 150mm.

**No purpose made additional ventilation is normally required for this appliance when installed in G.B. When installed I.E. please consult document I.S. 813 : 1996 Domestic Gas Installation which is issued by the National Standards Authority of Ireland. Any purpose made ventilation should be checked periodically to ensure that it is free from obstruction.**

If the chimney or flue has been previously used by appliances burning fuels other than gas they must be swept prior to the installation of this fire.

If this appliance is fitted directly on to a wall without the use of a fireplace or surround, soft wall coverings such as wallpaper, blown vinyl etc. could be affected by the heat and hot air and may discolour or scorch. This should be considered when installing or decorating.

**THIS APPLIANCE MUST NOT BE USED IF THE GLASS PANELS ARE BROKEN OR NOT IN PLACE.**

The Model number of this appliance is as stated on the rating plate affixed to the inner rear panel of the fire and the appliance is manufactured by:-

BFM Europe Ltd  
Trentham Lakes  
Stoke on Trent  
ST4 4TJ



## **ABOUT YOUR NEW FLAVEL RENOIR GAS FIRE**

The Flavel Renoir gas fire incorporates a unique and highly developed heat exchanger which combined with the coal effect gives maximum heat whilst maintaining reasonable running costs

Please take the time to fully read these instructions as you will then be able to obtain the most effective and safe operation of your fire.

### **IMPORTANT SAFETY INFORMATION**

#### **WARNING**

**This appliance has a naked flame and as with all heating appliances a fireguard should be used for the protection of children, the elderly and infirm. Fireguards that conform to B.S. 8423 : 2002 should be fitted. (Fireguards for use with gas heating appliances).**

It is important that this appliance is serviced at least once a year by a CORGI registered gas installer and that during the service the fire is removed from the fire opening and the chimney or flue visually checked for fallen debris or blockages which must be removed. The chimney should also be checked to ensure clearance of flue products. We recommend that during the annual service, replacement of the Oxypilot is carried out. **After installation or during servicing a spillage test must always be carried out.**

Only the correct type of coals & fuelbed must be used and only complete and genuine replacement sets can be sourced from BFM Europe Ltd.

Always keep furniture and combustible materials well clear of the fire and never dry clothing or items either on or near to the fire. Never use aerosols or flammable cleaning products near to the fire when it is in use.

**The ceramic coal effect fuel-bed remains hot for a considerable period after use and sufficient time should be allowed for the fire to cool before cleaning etc. The fire must only be operated with the glass panel in place.**

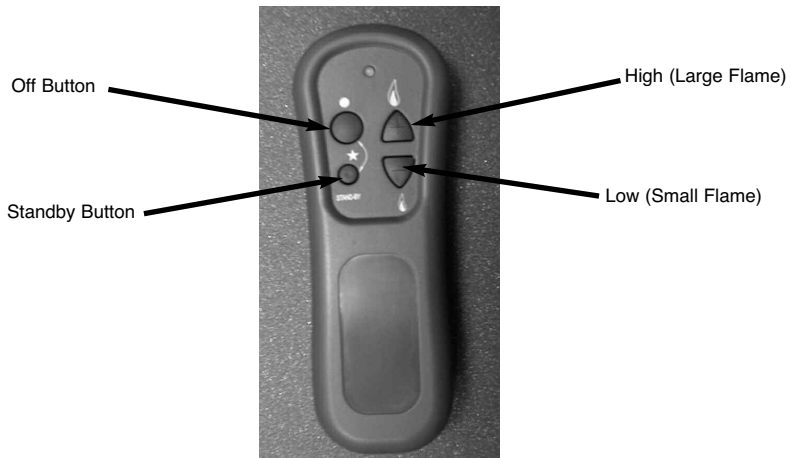
#### **IMPORTANT:**

**NEVER attempt to light the appliance without the decorative front casting in place**

## OPERATING THE FIRE

- a) The Remote control handset generates an infrared signal, which will be received by the sensor situated at the front right of your fire, behind the black controls cover. This infrared signal requires direct line of sight from the handset to the sensor on the fire to ensure good operation. If the handset is lost or broken, the fire can be lit manually, see the user instructions for details on how to operate the fire manually.
- b) To light the appliance using the handset, point the handset at the fire and press the 2 left hand buttons together. The fire will emit a “beep” sound, the buttons can now be released. After a few seconds an audible clicking can be heard and then the fire will light the pilot and then light the main burner. The ignition cycle will take approximately 20 seconds.
- c) To reduce the level of heat input on the fire, point the handset at the fire and press the small flame button. (An audible beep will be heard)
- d) To increase the level of heat input on the fire, point the handset at the fire and press the large flame button. (An audible beep will be heard)
- e) To leave the fire in the standby mode (pilot only running) press the small round button on the handset.
- f) To switch the appliance off completely, press the large round button on the handset, the fire will then switch off. See fig. 1 below for image of handset

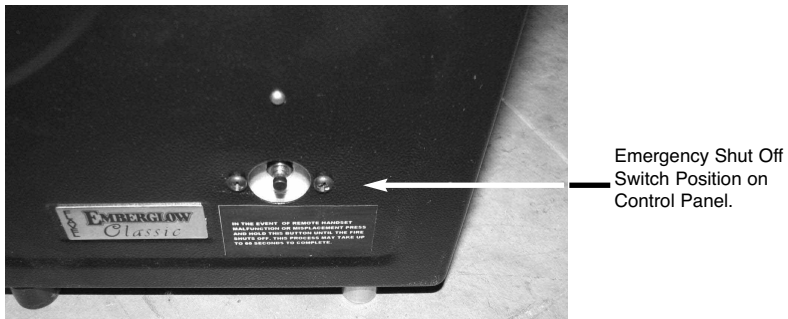
**Fig. 1**



## TURNING THE PRODUCT OFF IN THE UNLIKELY EVENT OF A REMOTE HANDSET MALFUNCTION.

- a) In the unlikely event of the remote control handset malfunctioning (or if lost or broken) after the appliance has been turned on, the fire can be turned off via the emergency shut off switch on the right hand control panel.
- b) Press and hold the emergency shut off switch until the fire shuts down. The process may take up to sixty seconds to complete. (see Fig. 2 below).
- c) When the fire has shut down, release the emergency shut off switch.
- d) The appliance will now remain in the “off” position until activated by the remote handset.

Fig. 2



## REPLACING THE BATTERIES (REMOTE CONTROL MODELS ONLY)

### ENSURE THE FIRE IS COOL BEFORE REPLACING BATTERIES

Remove the ashpan cover. The battery pack is located on the right hand side side of the burner unit at the bottom. Carefully remove the pack and remove batteries. Replace in the reverse order using 6 off 1.5V AA Alkaline Battery. **It is important that only an alkaline battery is used, otherwise premature battery failure and leakage may result.**

## **SPILLAGE MONITORING SYSTEM**

This appliance is fitted with a spillage monitoring system which shuts down the fire if the evacuation of combustion products from the fire is affected by a partially or fully blocked flue.

If this system operates the fire will go out. If this occurs, leave the fire for at least three minutes then follow the lighting procedure as described in the previous section. **In the event of repeated operation a CORGI registered gas installer must be called to investigate and rectify the cause.**

## **CLEANING - WARNING**

Before attempting any cleaning operation ensure that the fire has been allowed to fully cool.

## **CLEANING THE FUELBED / COALS**

We do not recommend regular cleaning of the fuelbed ceramics as these are fragile and damage may result. **None of these parts must be washed or exposed to any cleaning agents or water.**

Any damaged parts must be replaced by contacting your dealer or telephoning BFM Europe Ltd. on the number stated on the rear cover of this book. The fuelbed ceramics must only be replaced with a complete and genuine replacement set and the fire must never be run with the wrong number or damaged coals. The fuelbed ceramics must be carefully re-assembled as stated in pages 7 - 9 of this book.

**WARNING : Before attempting any cleaning operation ensure that the fire has been allowed to fully cool.**

## **CLEANING THE OUTER PANELS OF THE FIRE**

Dusting is normally all that is required. But where extra cleaning is necessary, use a damp cloth.

## ASSEMBLY OF THE FUELBED

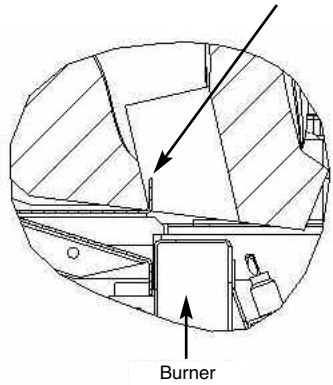
**NOTE :** The position of the fuel-bed components are critical to the performance of the product. Therefore please ensure that the fuel-bed components are positioned as described in the following section prior to requesting a service call due to soot build up, poor flame pattern etc.

- a) Fit the fuelbed base into the combustion chamber as shown below in Fig. 3. Ensure that the slot in the fuel-bed is located onto the lip on the fuel-bed base support.

**Fig. 3**

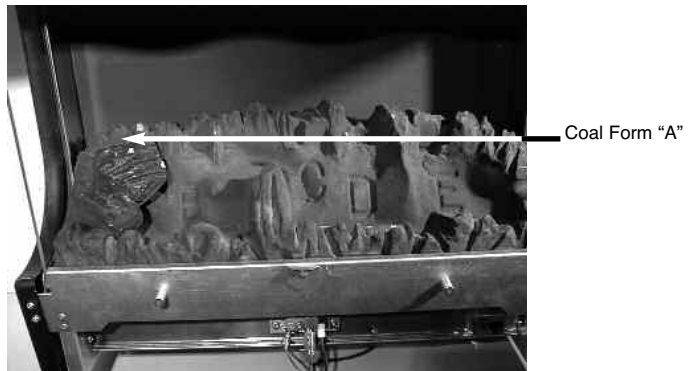


**Section View of Fuel-bed Base / Burner**      Locating Lip on Fuel-bed Support



- b) Fit coal "A" onto the fuelbed base in the position as shown below in Fig. 4. The coal form has the individual placement letters stamped on the bottom face.

**Fig. 4**



- c) Fit coal "B" onto the fuelbed base in the position as shown below in Fig. 5. The coal form has the individual placement letters stamped on the bottom face.

**Fig. 5**



- d) Fit coal "C" onto the fuelbed base in the position as shown below in Fig. 6. The coal form has the individual placement letters stamped on the bottom face.

**Fig. 6**



- e) Fit coal "D" onto the fuelbed base in the position as shown overpage in Fig. 7. The coal form has the individual placement letters stamped on the bottom face.

Fig. 7



- f) Fit coal “E” onto the fuelbed base in the position as shown below in Fig. 8. The coal form has the individual placement letters stamped on the bottom face.

Fig. 8



To ensure that the release of fibres from these R.C.F (Refractory Ceramic Fibre) articles is kept to a minimum, during installation and servicing we recommend that you use a HEPA filtered vacuum to remove any dust accumulated in and around the appliance before and after working on the appliance. When replacing these articles we recommend that the replaced items are not broken up, but are sealed within heavy duty polythene bags, clearly labelled as “RCF waste”. RCF waste is classed as a “stable”, non reactive hazardous waste and may be disposed of at a landfill licensed to accept such waste. Protective clothing is not required when handling these articles, but we recommend you follow the normal hygiene rules of not smoking, eating or drinking in the work area, and always wash your hands before eating or drinking.

**Due to our policy of continual improvement and development the exact accuracy of descriptions and illustrations cannot be guaranteed.**

Part no. B-120500  
Issue 4



BFM Europe Ltd  
Trentham Lakes  
Stoke-on-Trent  
Staffordshire  
ST4 4TJ

[www.bfm-europe.com](http://www.bfm-europe.com)

**Telephone - General Enquiries :** (01782) 339000  
**Telephone - Service :** (0844) 7700169