

22mm Blending Valve for use with all manifolds up to and including 9 port

Description

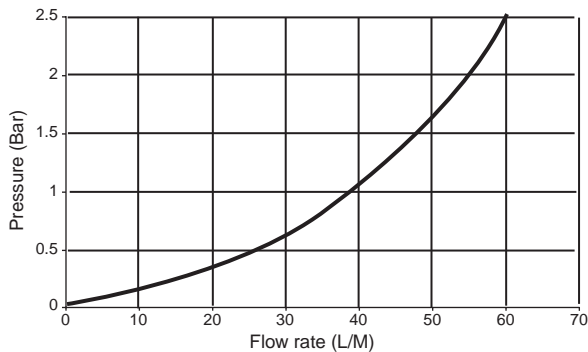
Thermostatic blending valve available with 22mm compression connections. RWC wax capsule technology ensures stable mixed water temperature. Suitable for blending the flow and return to achieve a stable system temperature in underfloor heating systems up to 200 square metres.

Product Range

HEAT 219 058

22mm Compression

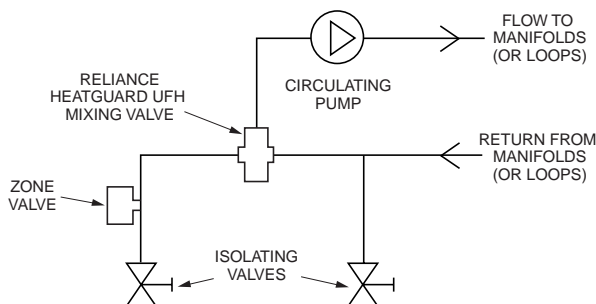
Performance



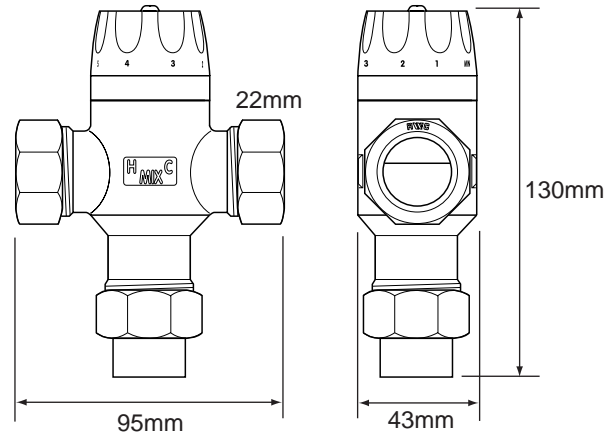
Materials

Body:	Cast gunmetal, nickel plated
Internal brass components:	DZR brass
Seals:	Nitrile elastomer
Spring:	Stainless steel
Piston:	Polysulfone polymer
Fittings:	DZR brass

Typical Installation



Dimensions



Specifications

Temperature setting range:	30°C to 60°C
Flow supply temperature:	85°C max.
Return supply temperature:	5°C - 75°C
Temperature stability:	± 2°C - 22mm
Working pressure, static:	10 Bar max
Working pressure, dynamic:	6 Bar max. 0.2 Bar min.

How to Specify

Blending valve with 22mm compression connections for underfloor heating systems up to 200 sq meters. (Select appropriate range code).

Guarantee

All RWC products undergo strict performance tests prior to despatch, and are guaranteed against faulty materials and workmanship for one year from date of purchase. This is in addition to any statutory rights.