

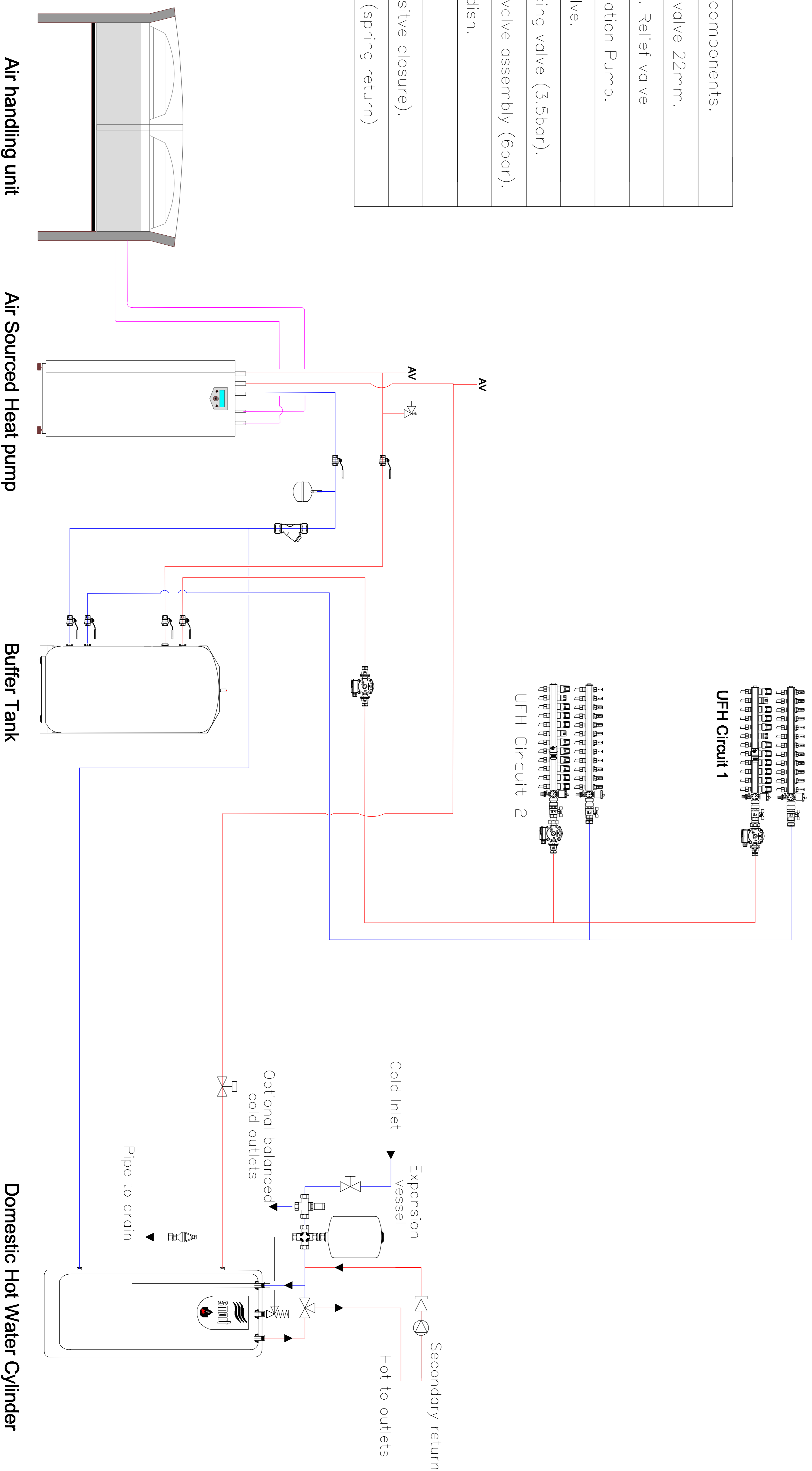


eco hometec

Tomorrow's Low Carbon Energy Efficient Heating Technology Today

Unit 11e
Carcroft Enterprise Park
Carcroft
Doncaster
DN6 8DD
Tel: 01302 722266
Fax: 01302 728634
email: sales@eco-hometec.co.uk
www.eco-hometec.co.uk

Legend of components.	
	Manual mixing valve 22mm.
	Press. & Temp. Relief valve
	Pump/Recirculation Pump.
	Non-return Valve.
	Pressure reducing valve (3.5bar).
	Check/expan. valve assembly (6bar).
	15x22mm Tundish.
	Isolating valve
	Zone valve (positive closure).
	Diverting valve (spring return)



Air handling unit

Air Sourced Heat pump

Buffer Tank

Domestic Hot Water Cylinder