

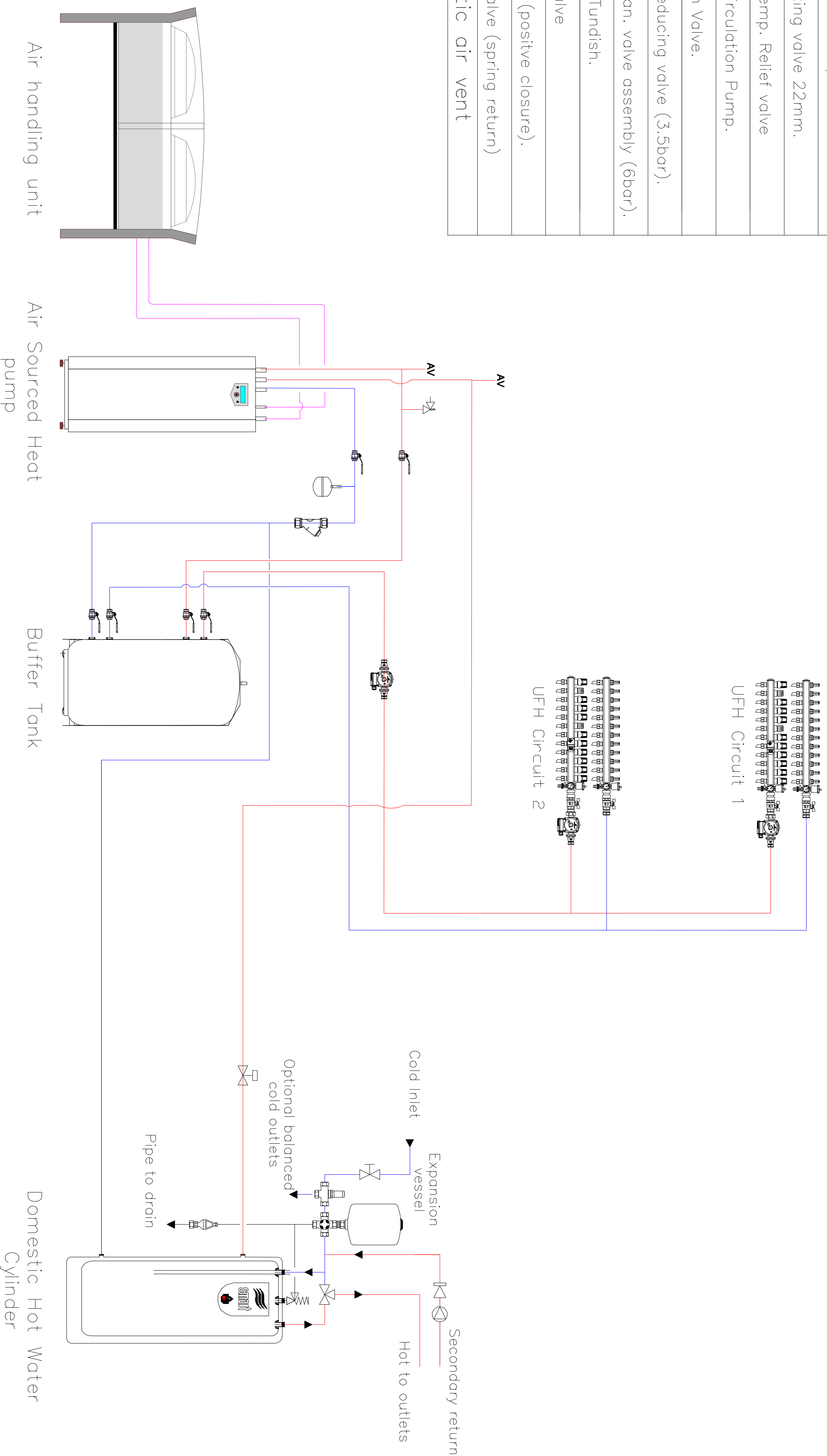


eco hometec

Tomorrow's Low Carbon Energy Efficient Heating Technology Today

Unit 11e
Carcroft Enterprise Park
Carcroft
Doncaster
DN6 8DD
Tel: 01302 722266
Fax: 01302 728634
email: sales@eco-hometec.co.uk
www: eco-hometec.co.uk

Legend of components.	
	Manual mixing valve 22mm.
	Press. & Temp. Relief valve
	Pump/Recirculation Pump.
	Non-return Valve.
	Pressure reducing valve (3.5bar).
	Check/expan. valve assembly (6bar).
	15x22mm Tundish.
	Isolating valve
	Zone valve (positive closure).
	Diverting valve (spring return)
	Automatic air vent



Air handling unit

Air Sourced Heat pump

Buffer Tank

Domestic Hot Water Cylinder