

## TS Thermal Actuator

For Underfloor Heating Systems



TS Thermal Actuator is used in conjunction with room thermostats to control individual zones or rooms.

- **Provides visual confirmation of valve position.**
- **Standard connection (M30 x 1.5mm) to manifolds**
- **Valves can be opened and closed by hand, great for commissioning and servicing**
- **Robust and reliable design**

## TS Thermal Actuator

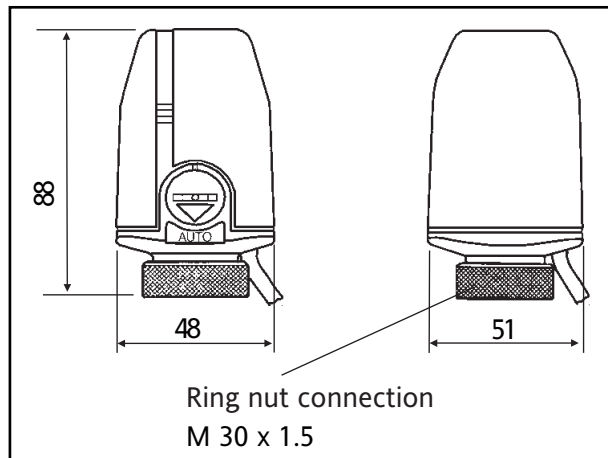
The Drayton TS Thermal Actuator mounts directly on any underfloor heating manifold with the standard M30x1.5 valve connection. In automatic mode the TS opens and closes an underfloor heating zone in response to a signal from a room thermostat calling for heat. In manual mode the TS can be used to open and close the valve by hand to allow for quick and easy commissioning and servicing.

In automatic operation the TS moves quickly between open and closed positions. The valve status can be visually checked through the window in the cover.

### Technical Data

<b>Type</b>	<b>TS 5.11/230</b>
Product Code	0409 1001 1017
Supply Voltage	230v~ 50Hz
Power Consumption	2.5W
Actuator Type	Normally closed
Valve Positions	Open or closed
Opening time	3 mins
Connecting Cable	2 x 0.5mm <sup>2</sup> , 100cm long
Protection	IP44
Isolation Class	II
Connections	M30 x 1.5mm
Stroke	4.0mm
Weight	Approx. 150g
Storage Temperature	-25 to 70°C
Operating Temperature	0 - 50°C

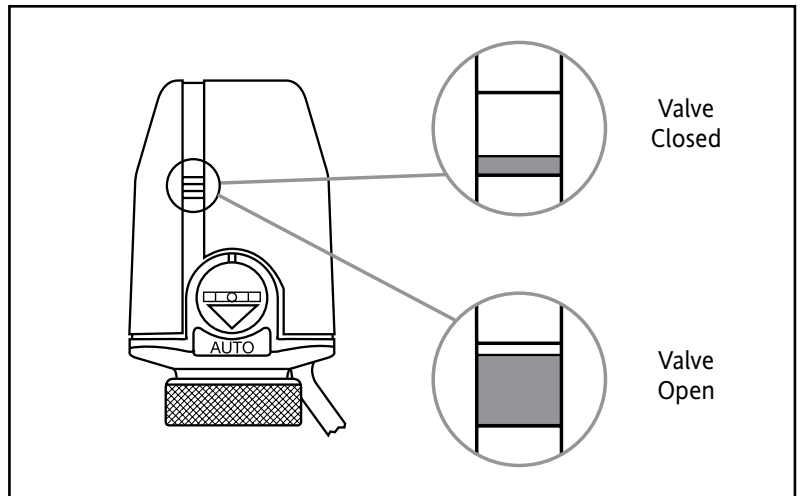
### Dimensions



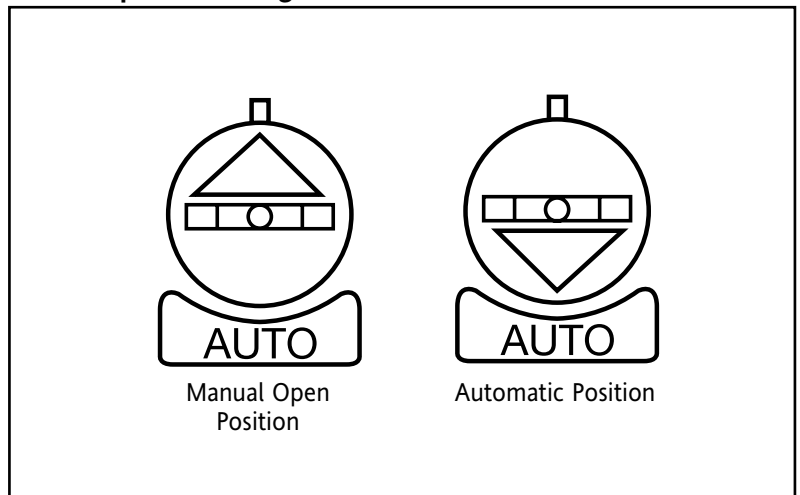
### Invensys Controls Europe

Customer Service Tel: 0845 130 5522  
 Customer Service Fax: 0845 130 0622  
 Technical Helpline Tel: 0845 130 7722  
 Email: [customer.care@invensys.com](mailto:customer.care@invensys.com)  
 Website: [www.draytoncontrols.co.uk](http://www.draytoncontrols.co.uk)

### Indication of valve position in automatic operation



### Manual position using coin slot



### Other variants available on request

24v  
 Normally open  
 M 28 x 1.5 connection  
 Proportional Control (0-10V)

Available from:



D97-1