

RT112 Thermostatic Radiator Valve



Lifestyle thermostatic radiator valves provide affordable control of individual room temperatures. With integral thermostatic sensing head and reverse flow capability, the 15mm angle valve can be flow or return mounted both vertically or horizontally.



RT112 Thermostatic Radiator Valve

Features

- Compact Design
- 9°C to 29°C setting range
- Range limiting
- 6°C to 8°C frost protection setting
- Reverse flow body (15mm angle only)
- M30 x 1.5 head connection
- Positive off position

Flow noise through valves

It is strongly recommended that the differential pressure across the thermostatic valves should not exceed 0.2 bar to avoid flow related noise. A differential pressure regulating device, e.g. the Drayton Automatic by-pass valve should be used. Please refer to our data sheet D30.

System cleansing

To avoid damage to the valves and heating system components, and the formation of scale deposit in the hot water heating system, the system should be flushed and a proprietary inhibitor added. Please refer to our datasheet D34.



Product range

Part no.	Description
09 10 015	RT112 15mm Ang
09 10 260	RT112 15mm Ang + Lockshield
09 10 264	RT112 15mm Ang + Lockshield + DOTP
09 10 259	RT112 15mm Ang + Integral lockshield with DO
09 10 115	RT112 15mm Str
09 10 360	RT112 15mm Str + Lockshield
09 10 364	RT112 15mm Str + Lockshield + DOTP

Invensys Controls

Customer Service Tel: 0845 130 5522
 Customer Service Fax: 0845 130 0622
 Technical Helpline Tel: 0845 130 7722
 Email: customer.care@invensys.com
 Website: www.draytoncontrols.co.uk

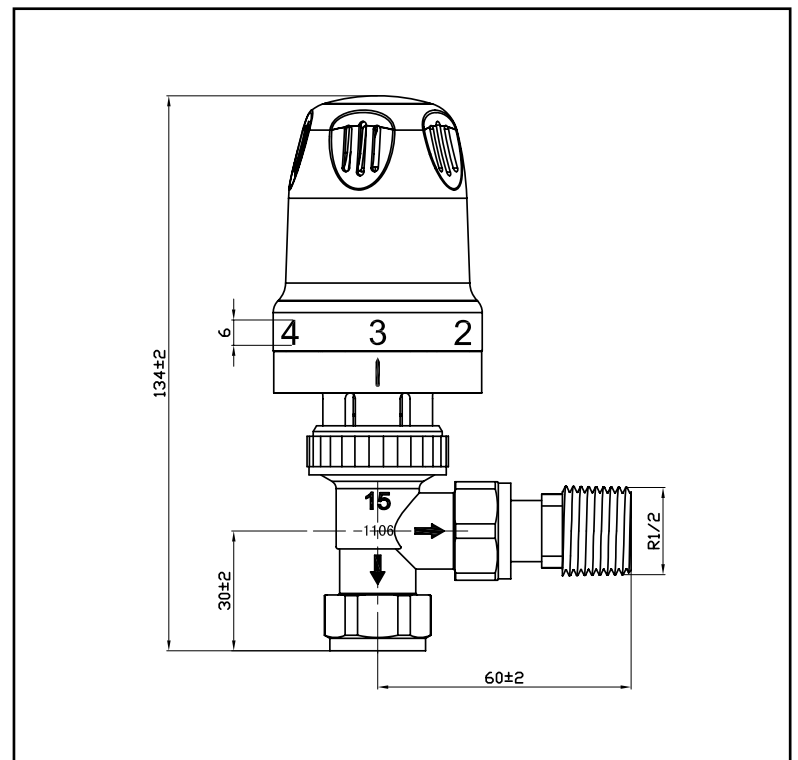
Technical Data

RT112 Thermostatic Radiator Valve

RT112 is approved to the BS EN 215-1 standard which is recognised throughout Europe.

Maximum Head Temperature	50°C
Maximum Flow Temperature	120°C
Recommended Differential Pressure	0.2 bar (To ensure low noise operation)
Maximum Working Pressure	10 bar
Maximum Differential Pressure	0.6 bar
Sensitivity	0.22mm/°C
Connections	Compression fittings meet BS EN 1254-2
Materials	Sensing head ABS Valve body: nickel plated brass

Dimensions



Available from: