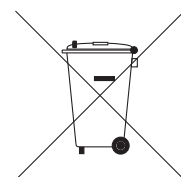




SET3M
*Electro-mechanical 24 hour programmer
for heating and hot water*

**For a large print version of these instructions
please call Marketing on 0845 121 7400.**

This product complies with the following EC Directives:
Electro-Magnetic Compatibility Directive.
(EMC) (2004/108/EC)
Low Voltage Directive.
(LVD) (2006/95/EC)



Danfoss can accept no responsibility for possible errors in catalogues, brochures, and other printed material. All trademarks in this material are property of the respective companies. Danfoss and the Danfoss logotype are trademarks of Danfoss A/S. All rights reserved.

Thank you for buying a Danfoss product

GB

Danfoss

User Instructions

SET3M

*Electro-Mechanical 24-Hour Programmer
for Heating and Hot Water*

GB



Index

1.0 User Guide	5
1.1 Your Programmer.....	5
1.2 Setting the Clock.....	5
1.3 Programming the Unit.....	5
1.4 Using the Programmer	6
1.5 Overrides.....	7
1.6 Manual Use	8

1.0 User Instructions

1.1 Your Programmer

The SET3M programmer allows you to switch your hot water and heating on and off at times that suit you.

Four tappets on the timing dial let you decide when you want your hot water and heating to come on and go off each day. The programmer provides 2 ON times and 2 OFF times per day. Using two simple rocker switches you can control your heating and hot water separately, to suit your lifestyle.

GB

1.2 Setting the Clock

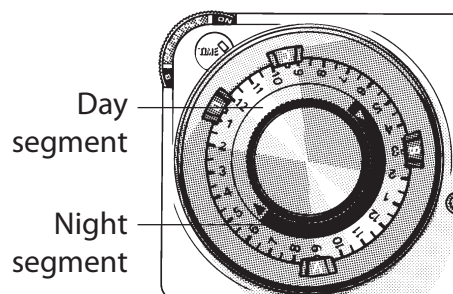
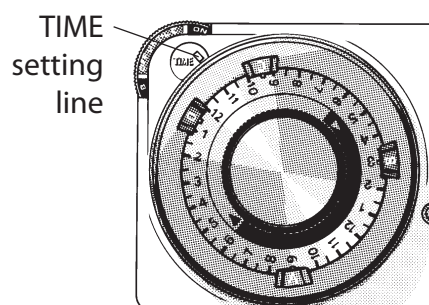
- Remove the dial cover.
- Turn the dial clockwise until the correct time is lined up with the **TIME** setting line.

Day segment, covering 6.00am-6.00pm, has an aluminium finish.

Night segment, covering 6.00pm-6.00am, is coloured black.

IMPORTANT:

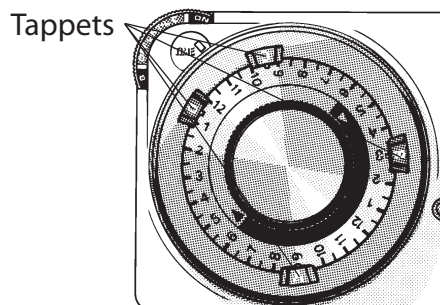
If you have a powercut you will have to reset the time - and also when the clocks change in Spring and Autumn.



1.3 Programming the Unit

There are four TAPPETS on your timing dial, two red and two blue:

- The **red** tappets are the **ON** switches.
- The **blue** tappets are the **OFF** switches.



- 1 If you have not already done so, remove the dial cover.
- 2 Hold the black and silver dial with one hand and move the red tappet marked 'A' clockwise to the time you want your HEATING/HOT WATER to switch on in the morning.

NB. you may find the tappets quite stiff, so you may have to push them quite firmly to move them.

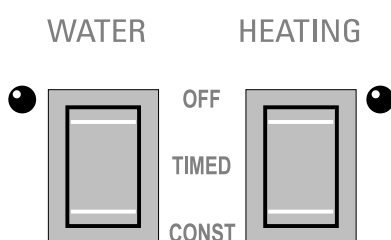
GB

- 3 Hold the black dial with one hand and move the blue tappet marked 'B' to the time you want your HEATING/HOT WATER to switch off in the morning.
- 4 You can set your other two tappets in the same way to set your HEATING/HOT WATER for the afternoon or evening.

DO NOT switch the programmer on and off with the mains switch as this will stop the clock/timer and affect the timed programme.

1.4 Using the Programmer

The 2 rocker switches are used to select how the SET3M controls your hot water and heating. The heating and hot water can be operated together or independently of each other (i.e. during the summer when only hot water is required).



WATER switch

- **OFF** - the Hot Water is manually switched OFF and will stay off until you change the position of the switch.
- **Timed** - the Hot Water will come on and go off at the times you have programmed.
- **Constant** - the Hot Water will come on manually and stay on constantly until you change the position of the switch.

A red light adjacent to the WATER switch is lit whenever the Water is switched on.

HEATING switch

- **OFF** - the Heating is manually switched OFF and will stay off until you change the position of the switch.
- **Timed** - the Heating will come on and go off at the times you have programmed.
- **Constant** - the Heating will come on manually and stay on constantly until you change the position of the switch.

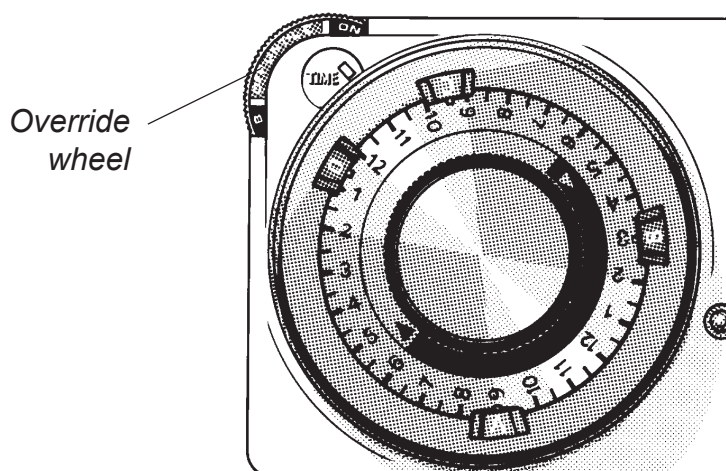
GB

A red light adjacent to the HEATING switch is lit whenever the Heating is switched on.

1.5 Overrides

Sometimes you may need to change the way you use your heating or hot water temporarily, i.e. due to unusually cold weather. The SET3M has one convenient override which can be selected without affecting the set programme.

The RED/BLUE wheel on the lefthand corner of the unit is an OVERRIDE SWITCH.



- When it shows **RED** the clock is **ON**
- When it shows **BLUE** the clock is **OFF**

1.6 Manual Use

If you do not wish to use the timer facility, you can switch your heating and hot water on or off manually by using the OVERRIDE wheel without having to change the settings on the timer itself.

To use, turn the override wheel **anti-clockwise** until the thumbwheel displays the setting you require.

GB

The override will automatically cancel at the next pre-set time change.

GB

GB

GB

Danfoss



Danfoss Randall Ltd.

Amphill Road
Bedford MK42 9ER

Tel: 0845 1217 400

Fax: 0845 1217 515

Email: danfosrandall@danfoss.com

Website: www.danfoss-randall.co.uk

Part No. 3548v01 03/11