

# Datasheet

## ARV22 Automatic By-Pass Valve

### Introduction



The ARV22 is an automatic by-pass control valve intended for use in domestic central heating systems. Its function is to allow a minimum flow to be maintained through the boiler as the water flow through the pump is reduced by, for example, radiator thermostats. The ARV22 automatically opens and closes depending on system load.

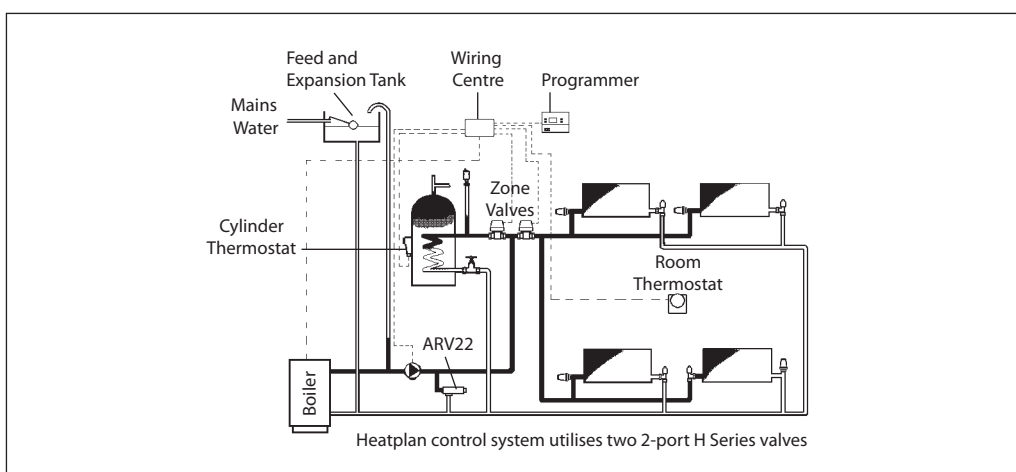
When the radiator thermostats are open and calling for heat the ARV22 remains closed, allowing the full boiler/pump output to circulate; as radiator thermostats start to close so the ARV22 opens to allow a flow through the by-pass.

The ARV22 automatic by-pass control valve must be adjusted at the time of installation to suit the central heating system.

The ARV22 will protect most domestic boilers against low flow rates.

- Automatic operation
- Supplied complete with 3/4" BSP and 22mm compression fittings
- Ensures quiet operation
- Suitable for domestic system with boiler sizes up to 22 kW

### Application



### Order Code

Type	Code Number
ARV22	099-1063

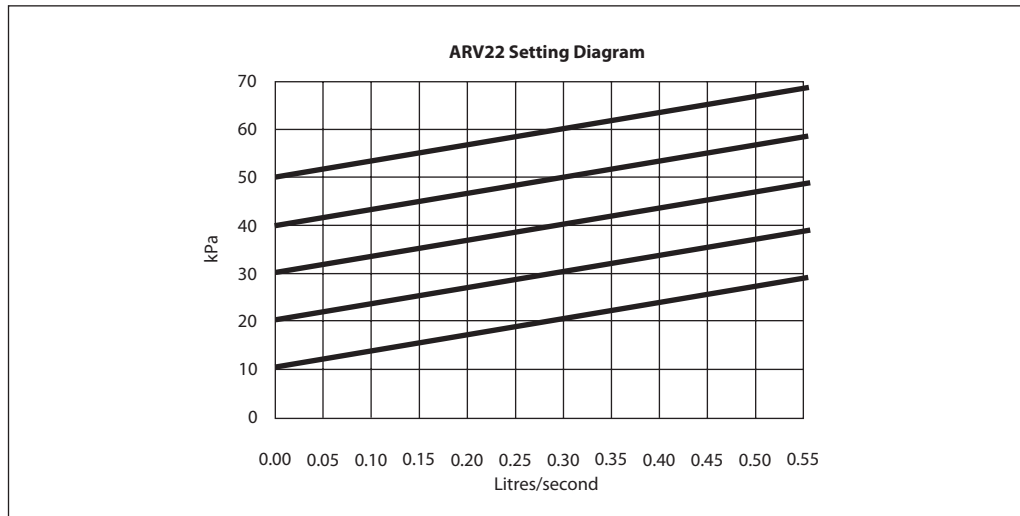
# Datasheet

# ARV22 Automatic By-Pass Valve

## Specifications

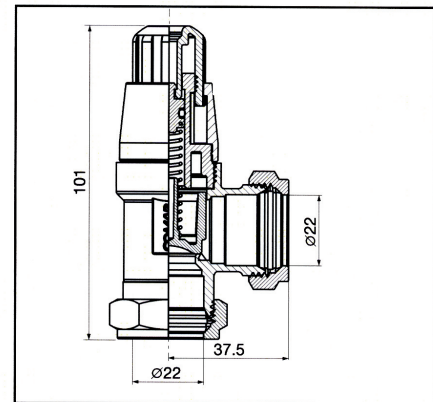
Maximum Working Pressure	4.0 Bar
Maximum Working Temperature	100°C
Setting Range	10 - 50 kPa
Connection Size (inlet)	22mm
Connection Size (outlet)	22mm

## Capacity



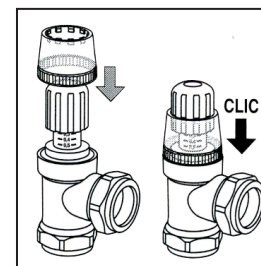
## Capacity

The valve can be installed in any attitude. The flow through the valve must be as per the direction of the flow arrow stamped into the valve body. The valve is supplied with two 22mm compression couplings for use with 22mm copper tubing. Dimensions are shown right. If replacing a previous ARV22 the existing pipework may need a small adjustment to fit a new ARV22.



## Setting Instructions

Before running the boiler, set the ARV22 to the maximum setting by turning the white knob clockwise until the knob is mechanically stopped. Ensure that the radiator thermostats are set to their normal control temperature. Turn on the boiler, and allow the temperature to stabilise, at this stage the ARV22 will be closed. Turn the ARV22 knob slowly counter-clockwise until the valve begins to open, this can be monitored by feeling the temperature of the outlet connection of the valve. At this stage turn the knob clockwise half a turn to complete the setting process. Once the right setting has been established the setting can be locked using the transparent cap.



Danfoss can accept no responsibility for possible errors in catalogues, brochures, and other printed material. Danfoss reserves the right to alter its products without notice. This also applies to products already on order provided that such alterations can be made without consequential changes being necessary in specifications already agreed. All trademarks in this material are property of the respective companies. Danfoss and the Danfoss logotype are trademarks of Danfoss A/S. All rights reserved.



### Danfoss Randall Ltd.

Amphill Road  
 Bedford MK42 9ER  
 Tel: 0845 1217 400  
 Fax: 0845 1217 515  
 Email: danfossrandall@danfoss.com  
 Website: www.danfoss-randall.co.uk