

REP24

*24V electronic dial setting thermostat
with proportional output
and manual heat cool selection*

Installation and Instructions



Danfoss

INDEX

Installation **3-9**

Specification	3
Mounting	4-5
Wiring	6
DIL switch settings	7
Mounting	8
Locking & Limiting	9

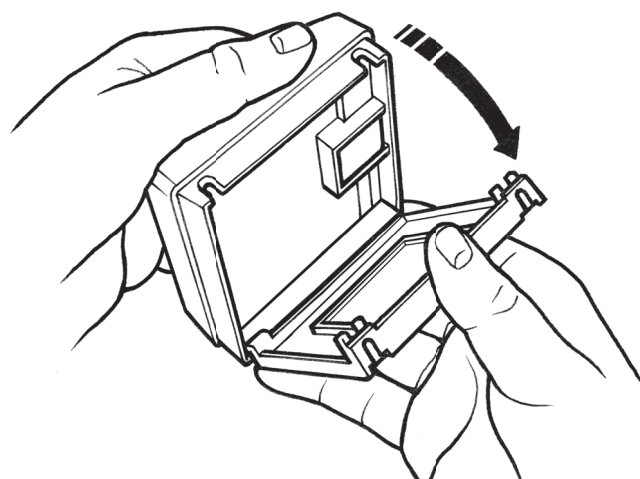
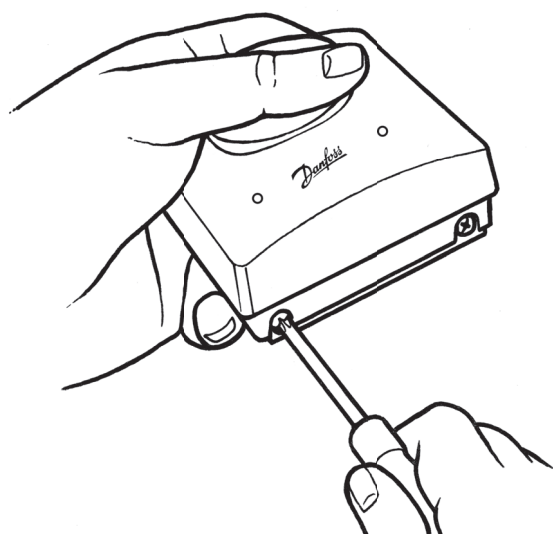
User Instructions **10-12**

Setting the temperature	10
Frost Protection	10
Standby Mode	10
Understanding your thermostat	11

Installation Instructions

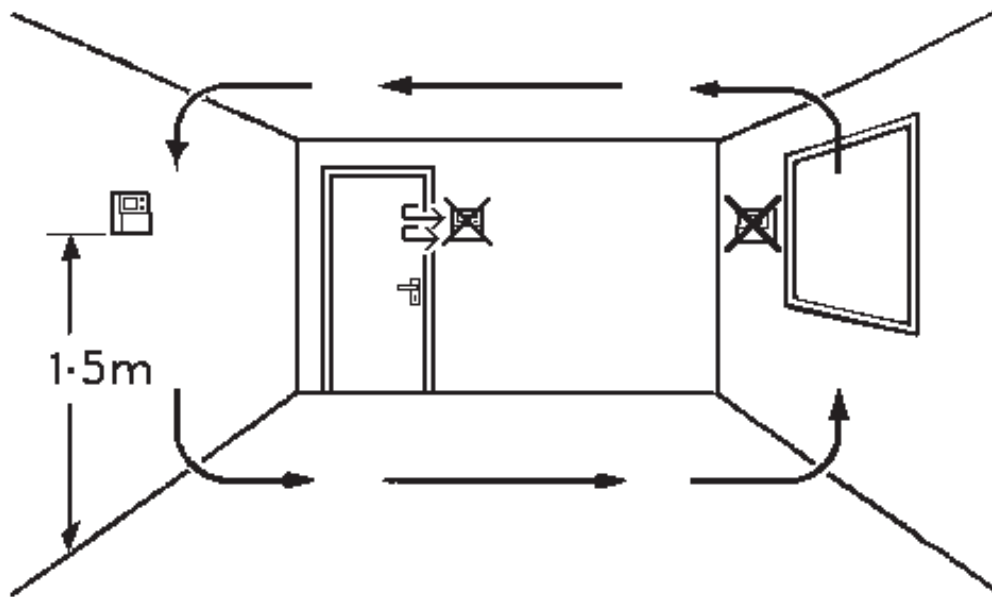
Features	REP24
Power supply	24 Vac, \pm 15%
Control Output	0-10 Vdc
Control Method	P + I
Proportional Band	2° K
Temperature range	10-30°C
Maximum ambient temperature	45°C
Control pollution	Degree 2
Design standard	EN 60730-2-9
Rated impulse voltage	2.5kV
Ball hardness test	75°C
Dimensions (mm)	85 wide x 86 high x 42 deep

Mounting

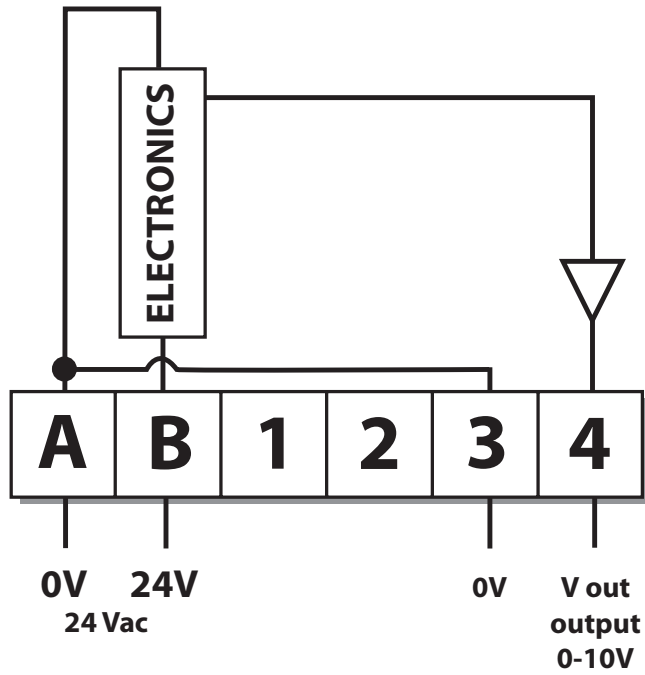
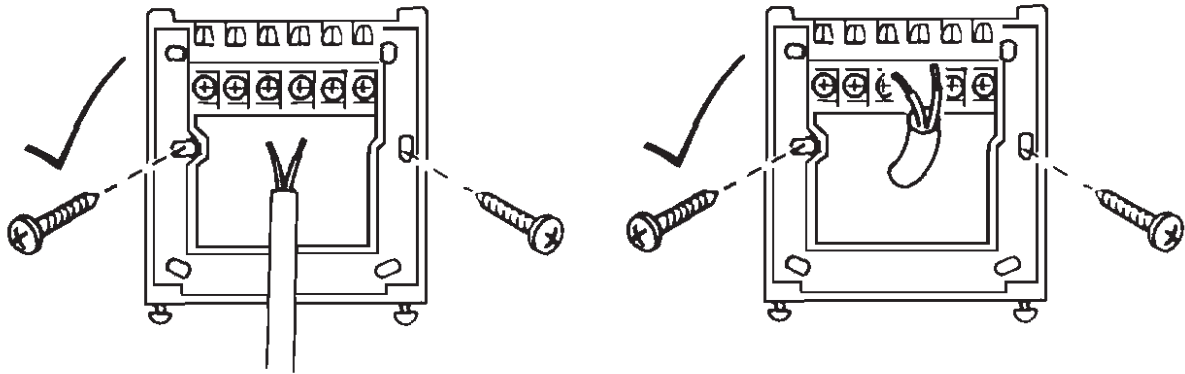


Mounting

Fix at a height of 1.5m approx from the floor, away from draughts or heat sources such as vents, heating elements or direct sunlight.



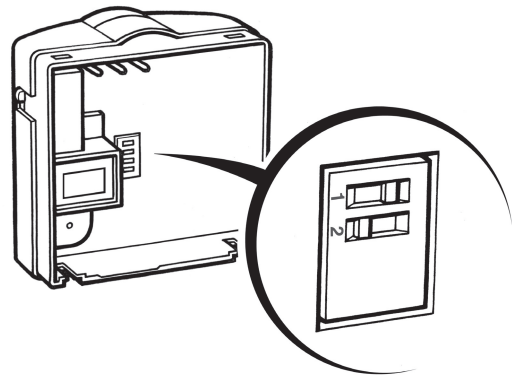
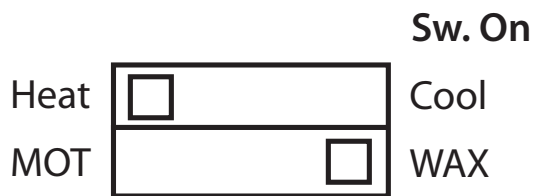
Wiring



Wiring

DIL switch settings

Slide the DIL switches to the settings required.



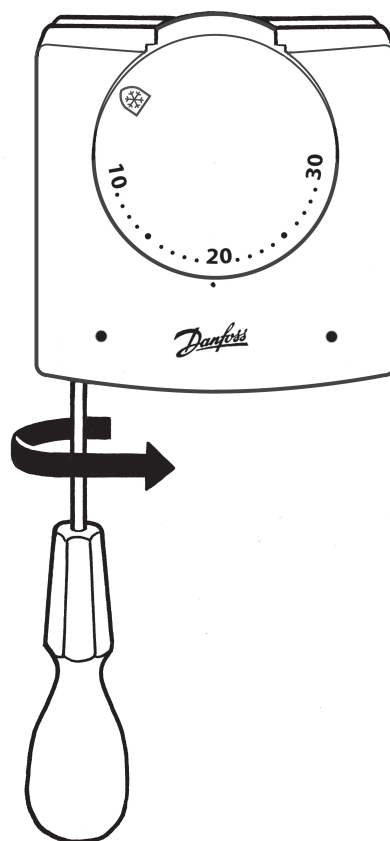
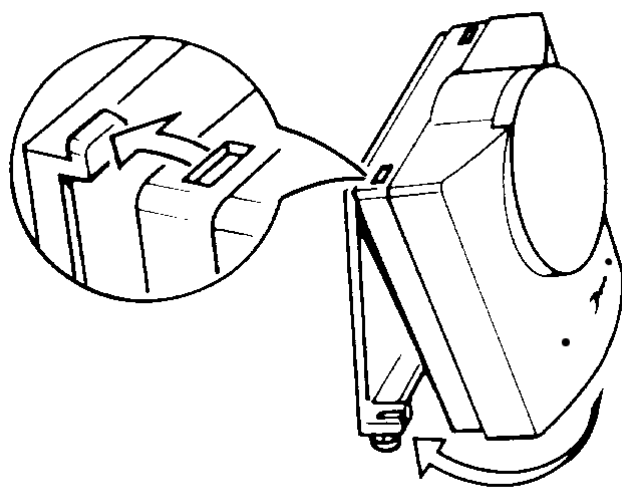
HEAT - proportional output will activate if temperature is below the setpoint. Frost protection mode is available (see page 10).

COOL - proportional output will activate if temperature is above the setpoint. Frost protection not available in cooling mode.

MOT - Motorised valve actuator selection.

WAX - Wax valve actuator selection.

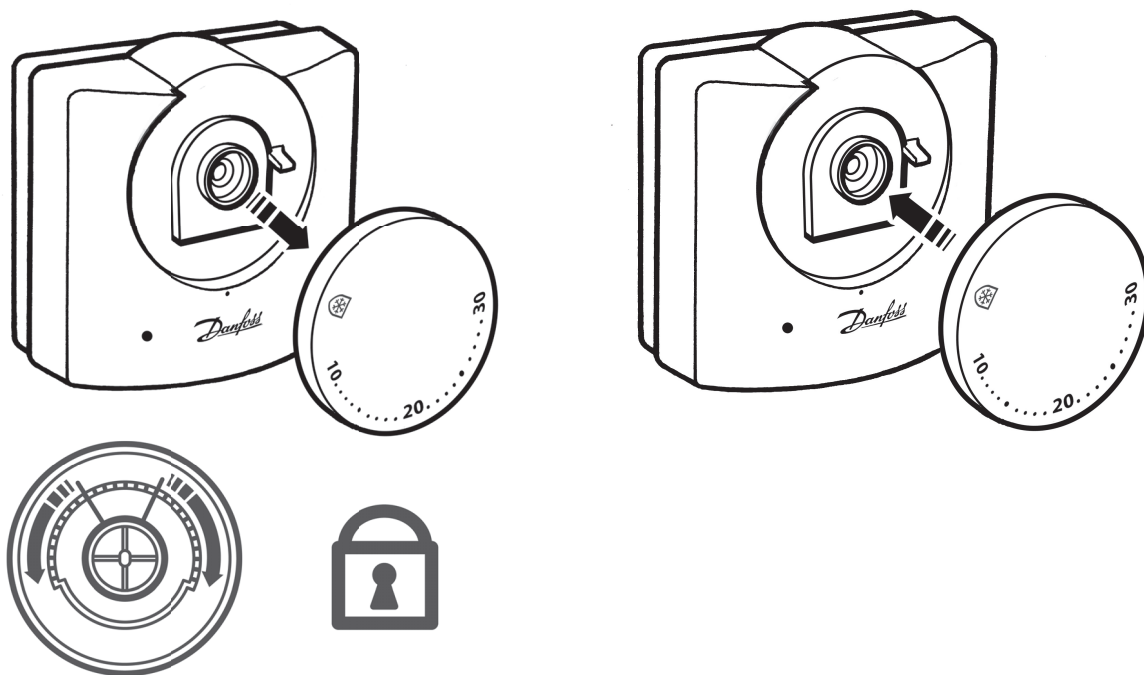
Mounting



Locking & Limiting

Locking - setting the thermostat at a temperature which cannot be altered by the user.

Limiting - allowing the user to alter the temperature within a predefined range, which is less than the full range of the product (i.e. between 18-22°).



User Instructions

Setting the temperature

Turn setting dial to required temperature.

Frost Protection

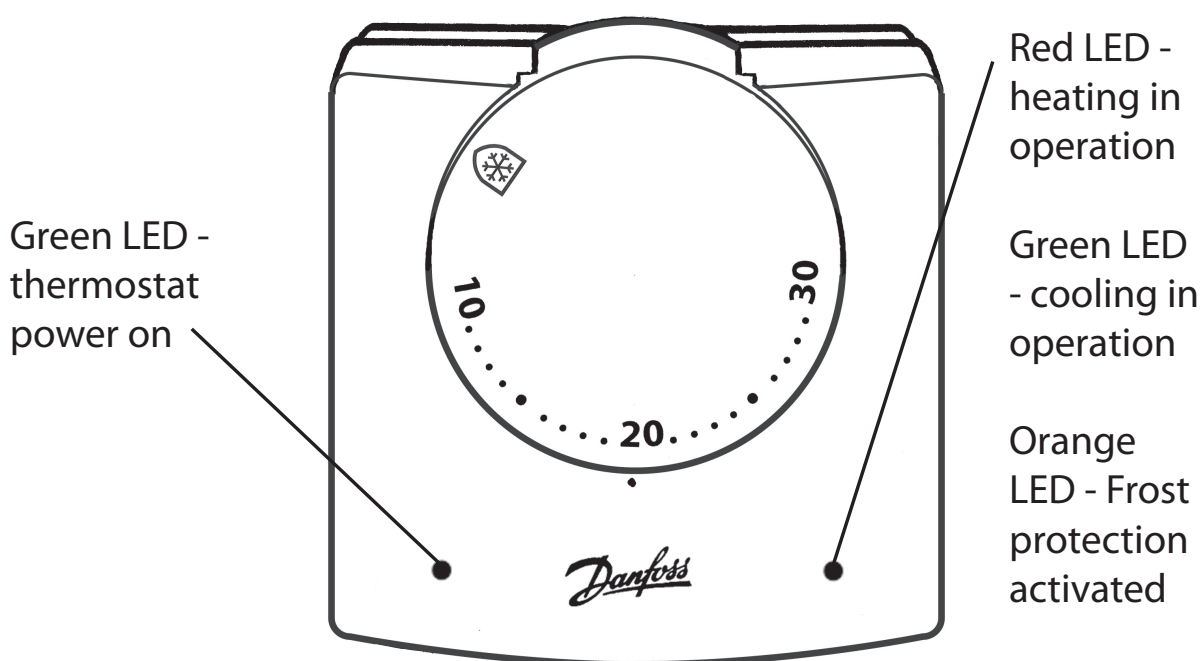
To activate frost protection, turn the dial below 10°C. Frost protection becomes active at 8°C. If the temperature in the room drops below 8°C then the output will activate.

When frost protection is activated the right LED will turn orange.

Standby Mode

In cooling mode, the standard frost protection is not available; instead there is standby mode. When the dial is turned past 10°C the unit enters standby mode and cooling will be inactive until dial is turned up past 10°C.

Understanding your thermostat



- If the left **LED is green** the thermostat has power.
- If the right **LED is red**, the heating function is in operation.
- If the right **LED is green**, the cooling function is in operation.
- If the right **LED is orange**, the frost protection is switched on.

www.danfoss.com/BusinessAreas/Heating

This product complies with the following EC Directives:
Electro-Magnetic Compatibility Directive.
(EMC) (2004/108/EC)
Low Voltage Directive.
(LVD) (2006/95/EC)



Danfoss

Danfoss Randall Ltd

Amphill Road

Bedford

MK42 9ER

Tel: 01234 364621

Fax: 01234 219705

