

Installation and Setting Instructions

Electronic Programmable and Non-Programmable Fan Coil Thermostats 6000 series with independent fan common

Specification

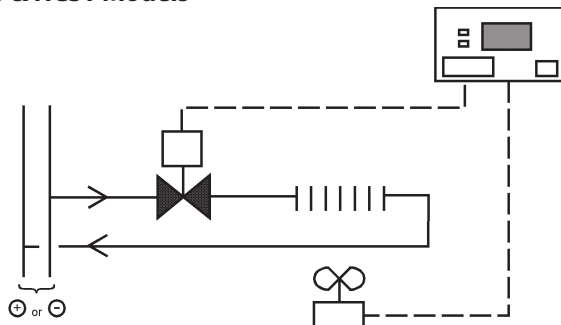
| | |
|------------------------------|---|
| Power supply: | 24 volt powered models - 20-30 Vac, 50/60Hz 230 volt powered models - 210-250 Vac, 50/60Hz |
| Temperature range: | Heating stage - Off-5-30°C Cooling stage - 16-37°C-Off |
| Temperature accuracy: | ± 0.5°C |
| Deadzone adjustment: | 1, 2, 3 or 4°C |
| Voltage rating of contacts: | 20-250 Vac, 50/60Hz |
| Current rating of contacts: | 10mA - 3A resistive, 1A inductive |
| Switching action: | Voltage free SPDT contacts, Type 1B |
| Time accuracy: | ± 1 minute |
| Memory retention: | 24V & 230V models: 15 days Battery model: 1 minute for battery change |
| IP rating: | IP30 |
| Dimensions (mm): | 130 x 100 x 38 (W x H x D) |
| Control pollution situation: | Degree 2 |
| Rated impulse voltage: | 2.5 KV |
| Ball pressure test: | 75°C |

Ordering Details

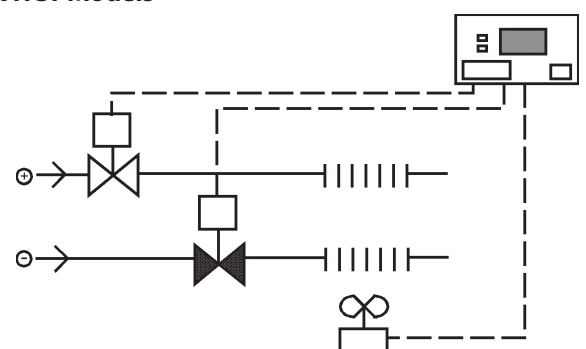
| Features | 24 volt | | 230 volt | |
|--|-----------|------------|-----------|------------|
| | Type | Code | Type | Code |
| Heat or cool operation, selectable at time of installation | | | | |
| 3-speed fan output | HCS6101-3 | 087N722500 | | |
| Heat & cool systems (with auto changeover), for use in 4-pipe systems | | | | |
| 3-speed fan output | | | HCT6113-3 | 087N759326 |

Applications

HCS & HCST Models

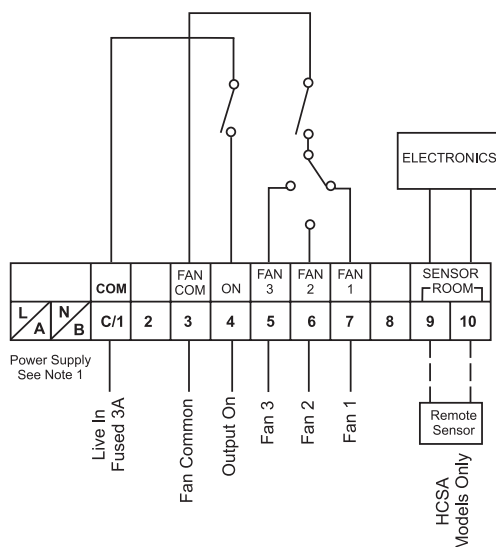


HC & HCT Models

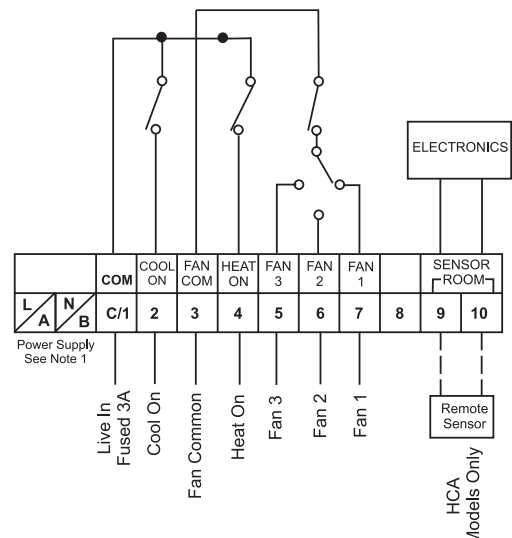


Wiring

HCS & HCST Models with 3 speed fan (Heat or Cool)

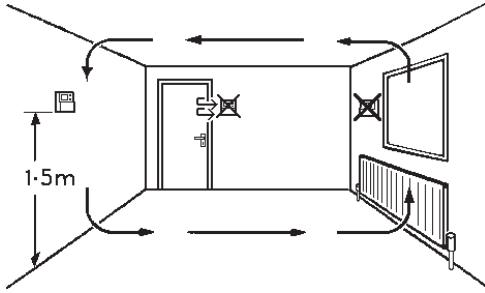


HC & HCT Models with 3 speed fan (4 pipe auto change-over)

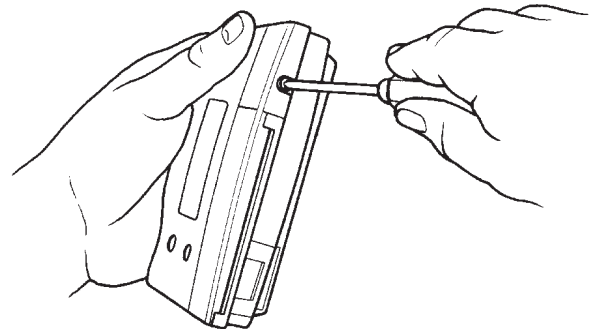


Installation

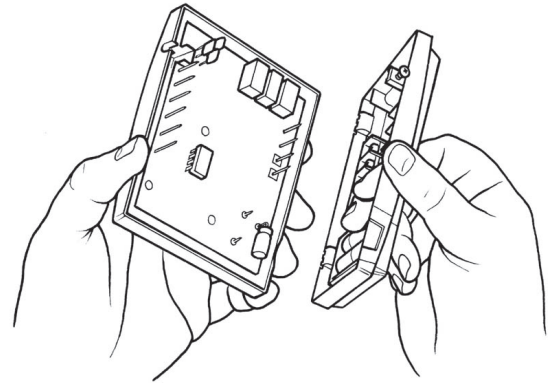
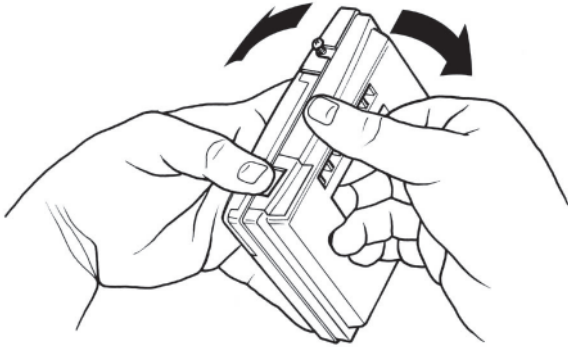
1. Thermostat Location



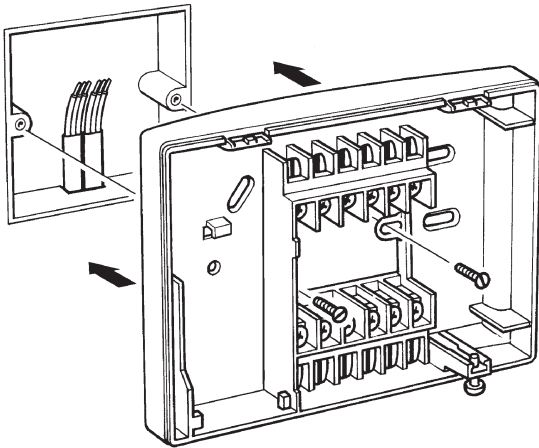
2. Unpacking the Thermostat



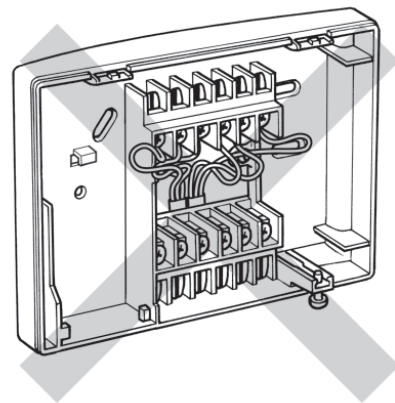
3. Separating the Wallplate



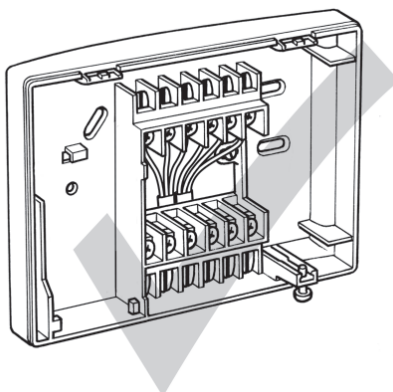
4. Fitting the Thermostat to the Wall



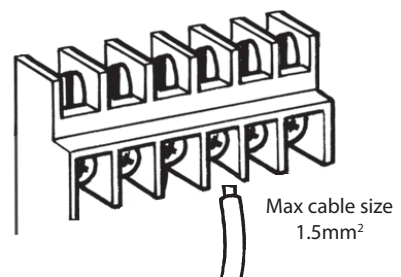
5. Wiring Access - Incorrect



6. Wiring Access - Correct

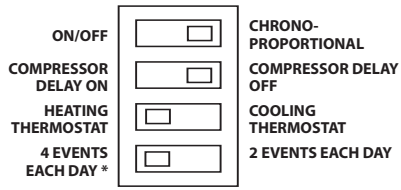


7. Cable Size



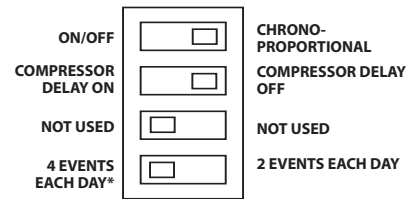
DIL Switch Settings (see rear of circuit board)

HCS Models



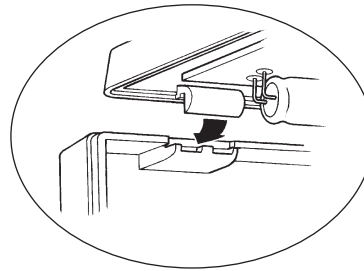
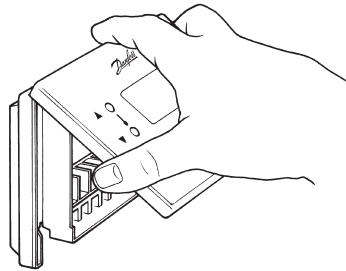
* not used on non-programmable models

HC Models

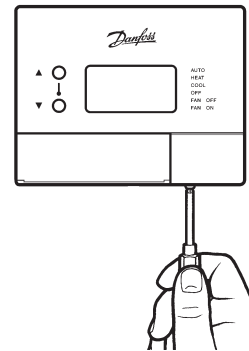
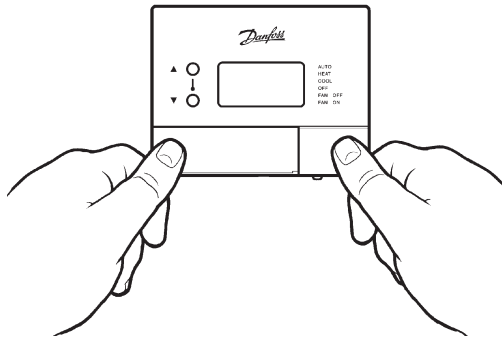


* not used on non-programmable models

Fitting the Thermostat to the Wallplate



Ensure unit is firmly in place





Danfoss can accept no responsibility for possible errors in catalogues, brochures and other printed material. Danfoss reserves the right to alter its products without notice. This also applies to products already on order provided that such alterations can be made without subsequent changes being necessary in specifications already agreed.

Danfoss Randall Limited

Ampthill Road,
Bedford, MK42 9ER
Tel: (01234) 364621 Fax: (01234) 219705
Email: danfosrandall@danfoss.com
Website: www.danfoss-randall.co.uk

