

MAKING MODERN LIVING POSSIBLE

Danfoss

Wireless Heating Control Packs Catalogue



www.danfoss-randall.co.uk

Contact Details

Danfoss Randall Limited



Danfoss Randall's UK based sales and manufacturing site

Danfoss Randall Limited, Amphill Road, Bedford, MK42 9ER

Reception

Tel: 0845 1217 400
Fax: 0845 1217 515

UK Sales

Tel: 0845 1217 500
Fax: 0845 1217 510

Devi Sales

Tel: 0845 434 9990
Fax: 0845 1217 510

Customer Service

Tel: 0845 1217 502

Training

Tel: 0845 1217 431
Fax: 0845 1217 513

Literature

Tel: 0845 1217 431
Fax: 0845 1217 513

Technical Support

Tel: 0845 1217 505
Fax: 0845 1217 510

Republic of Ireland Reception

Tel: 1800 930 242

Sales

Tel: 1800 930 243
Fax: 1800 556 691

Technical Support

Tel: 1800 930 244



Efficient lean production facility



State of the art, temperature controlled auto assembly cell



On-site product testing laboratory used internally and externally for product validation and research



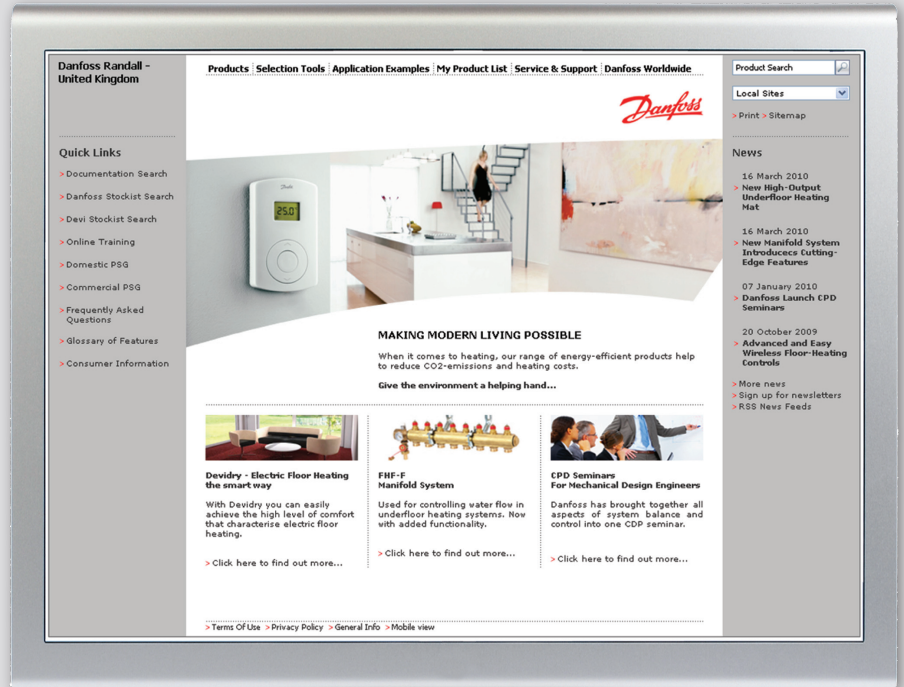
Contents

Wireless Control Packs

<i>Product Selector</i>	6	<i>Mid Position Valve Systems</i>	16
<i>RET B-RF</i>	8	With 2-Channel Programmer and Wireless Dial Setting	
Dial Setting Room Thermostat		Room Thermostat and Hot Water Thermostat	
<i>RT51-RF</i>	9	<i>Mid Position Valve Systems</i>	18
Digital Room Thermostat		With Programmable Heating and Hot Water Thermostats	
<i>TP4000-RF</i>	10	<i>2 Port Valve Systems</i>	20
Programmable Room Thermostat (24 Hour)		With 2-Channel Programmer and Wireless Dial Setting	
<i>TP5000Si-RF</i>	11	Room Thermostat and Hot Water Thermostats	
Programmable Room Thermostat (24 Hour or 5/2 Day)		<i>2 Port Valve Systems</i>	22
<i>TP7000-RF</i>	12	With Programmable Heating and Hot Water Thermostats	
Programmable Room Thermostat		<i>2 Port Valve Systems</i>	20
(24 Hour, 5/2 Day or 24 Hour)		With 2-Channel Programmer and Wireless Room Thermostat	
<i>CET B-RF and WP75-RF</i>	13	and Hot Water Thermostat for Unvented Hot Water Systems	
Hot Water Thermostats		<i>Wiring Diagrams</i>	26
<i>System Information</i>	14-25	<i>General Thermostat Advice</i>	27
<i>Combination Boiler System</i>	14	<i>Installation Tips</i>	28



- Product search
- Product specifications
- Online literature search
- Wiring diagrams
- Online stockist search
- Frequently asked questions
- News and newsletters
- Training
- Literature Ordering
- Contact Information
- Exhibition Information



Today's high demand for energy-saving controls, plus the continual introduction of new products, has left many installers searching for answers. Optimum energy-efficiency in buildings increasingly calls for the use of advanced, more-effective controls. Some installers remain unaware of the latest, ground-breaking products that are essential to their continued professional success.

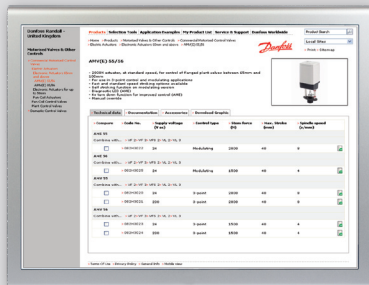
A great starting place for this information is **www.danfoss-randall.co.uk**. After many months of research, dedicated work, structured thought, imagination and unwavering attention to detail an easily navigable on-line encyclopaedia of clear and easily accessible information on controls for domestic, commercial and industrial heating/cooling applications is available. Visitors to the site will also find valuable advice, tips and detailed connection diagrams.

Navigation of the website is extremely quick and easy, and is helped by its cool, uncluttered style. With just a few clicks, product listings, selection tables and illustrations appear on screen instantly. Favourite products can be conveniently saved as a list for future visits.

Datasheets, instructions and user guides may be downloaded in pdf format and printed. Clear wiring connection diagrams for all popular controls are provided.

The 'Understanding Heating Controls' advice section explains controls usage and explodes many of the myths that have grown up surrounding domestic heating controls. This section can be easily downloaded and printed.

Full contact details are given to enable site visitors to obtain Sales Office support, order literature, obtain details of Training Seminars and pose specific controls problems to a Danfoss expert.





78 years

of innovation

Constantly innovating since 1933, Danfoss is a name you can trust to bring you the best in modern controls technology.

Wireless Controls Product Selector



Wireless Room Thermostats Including Control Packs With RX Receivers and Motoris

Contents	Dial Setting		
	2 Port Pack	3 Port Pack	Unvented Pack
2 HP22 2 Port Valves	•		
1 HP11 2 Port Valve			•
1 HS3 Mid Position Valve		•	
1 RET B-RF	•	•	•
1 TP5000Si-RF			
1 TP7000-RF			
1 CET B-RF	•	•	
1 WP75-RF			
1 RX2C Receiver	•	•	
1 RX1 Receiver			•
1 FP715 Si Programmer	•	•	•
1 WC4B Wiring Centre	•	•	•
Order No	087N6500V4	087N6500V3	087N6500V5
Page	20	16	24

Wireless Room Thermostats including Set Solution with RX1 Receivers (Battery Powe

	Dial-setting	Digital
	With LCD	Manual Return to Day
	RET B-RF	RT51-RF
Order No	087N727600	087N729900
Page	8	9

Wireless Hot Water Thermostats including Set Solutions with RX1 Receivers (Battery

	Dial Setting
	With LCD
	CET B-RF
Order No	087N727800
Page	13

Wireless Receivers for use with Wireless Room and Cylinder Thermostats (Mains Powe

	Single Channel	Two Channel	
	Contact Details	1 x SPDT	1 x SPDT 1 x SPST
	RX1	RX2	RX2C
Order No	084N747600	087N747700	087N747900

ed Valves			
Programmable			
5/2 Day		7 Day	
2 Port Pack	3 Port Pack	2 Port Pack	3 Port Pack
.		.	
	.		.
.	.	.	.
.	.	.	.
.	.	.	.
.	.	.	.
087N742500	087N742400	087N742300	087N742200
22	18	22	18



erred)			
Programmable			
24 Hour	5/2 Day	7 Day	
TP4000-RF	TP5000Si-RF	TP7000-RF	
087N792100	087N791400	087N741800	
10	11	12	



y Powered)			
Programmable			
5/2 Day		7 Day	
WP75-RF		WP75-RF	
n/a		n/a	
13		13	



wered)			
Three Channel			
2 x SPST Heat 1 x SPDT		1 x SPDT 2 x SPST	
RX3B		RX3	
087N748400		087N747800	

Battery Powered Room Thermostat with Setting Dial RET B-RF

The RET B-RF is a micro-processor powered room thermostat with many advanced features. The significant difference between it and many other similar thermostats is that it retains the setting dial that so many consumers are fully accustomed to and which, generally speaking, can be set and adjusted by most people intuitively.

The RET B-RF also incorporates an LCD display which in normal operation displays actual room temperature. However, when the setting dial is moved, the display momentarily changes to show set temperature. The display also incorporates icons to indicate output status and low battery indication.

The RET B-RF utilises secure digital wireless signals to communicate with a receiver unit mounted adjacent to the boiler or in the airing cupboard. This removes the need for any fixed wiring between the thermostat and other controls, reducing installation time and eliminating the risk of damaging decoration and furnishing, particularly important when upgrading existing systems, or at time of boiler change.

Thermostats and receivers sold as sets are matched in the factory using a simple commissioning process, details of which can be found at the rear of this publication.

The RET B-RF is factory set for On/Off control normally used when controlling motorised valves. In systems where the thermostat directly controls the operation of the boiler, it can be set by the installer to chrono-proportional output. In this mode, the micro-processor imposes a defined number of operating cycles per hour on the systems, and within each cycle, determines the on and off time of the boiler dependant upon load. This type of control, which utilises an advanced PI control algorithm, significantly improves comfort and economy compared to regular On/Off control.

The RET B-RF is ideally suited for use in combi boiler systems and in systems where an additional time and temperature control zone is added to an existing heating system. All products are available in convenient boxed sets that include a single channel receiver. If the system is zoned and requires more than one thermostat, purchase thermostats as loose items and select a receiver unit with the appropriate number of channels from the table below.



RET B-RF



RX1

- **Easy to use**
- **Utilises secure digital wireless communication**
- **Ideal solution for system upgrades and combi boilers**
- **Advanced microprocessor design**
- **Set solutions include thermostat and receiver**
- **Can be combined with other Danfoss wireless thermostats**

Thermostat Features	RET B-RF	RET B-LS-RF		
Code No - Without Receiver	087N727000	087N727200		
Code No - Set with RX1 Receiver	087N727600	-		
Auto/Off Selector Switch		•		
Temperature Range	Off, 5 - 30°C			
Setting Dial and LCD Display	•			
Chrono-proportional or On/Off Control	•			
Selectable Fahrenheit or Centigrade Scaling	•			
Transmitter Frequency	433.92 MHz			
Transmitter Range	Typically 30 metres ⁽¹⁾			
Power Supply	2 x AA/LR6/MN 1500 Alkaline Batteries			
Dimensions (mm)	85 Wide x 86 High x 42 Deep			
<i>(1) Please ensure there are no large metal objects between thermostat and receiver, as these will interfere with radio signal.</i>				
Receiver Options	RX1	RX2	RX2C	RX3
Order Codes	087N747600	087N747700	087N747900	087N747800
Single Zone Receiver	•			
Two Zone Receiver		•	•	
Three Zone Receiver				•
Power Supply (receivers)	230 Vac ±15%, 50/60 Hz			
Contact Details, Commons Linked Internally	1 x SPDT	1 x SPDT 1 x SPST		2 x SPST 1 x SPDT
Contact Details, Independent Commons, Volt Free			2 x SPDT	
Contact Rating	10-230 Vac, 3 (1) A			
Dimensions (mm)	138 Wide x 88 High x 32 Deep			

Danfoss Digital Room Thermostat RT51-RF



RT51-RF



RX3

The RT51-RF is an easy to use digital thermostat with LCD display.

The unit utilises secure digital wireless signals to communicate with a receiver unit mounted adjacent to the boiler or in the airing cupboard. This removes the need for any fixed wiring between the thermostat and other controls, reducing installation time and eliminating the risk of damaging decoration and furnishing, particularly important when upgrading existing systems, or at time of boiler change. Thermostats and receivers sold as sets are matched in the factory using a simple commissioning process, details of which can be found at the rear of this publication.

The RT51-RF is factory set for On/Off control normally used when controlling motorised valves.

Available in convenient boxed sets that include a single channel receiver. If the system is zoned and requires more than one thermostat, purchase thermostats as loose items and select a receiver unit with the appropriate number of channels from the table.

- **Easy to use**
- **Utilises secure digital wireless communication**
- **Ideal solution for system upgrades**
- **Large easy to read LCD display**
- **Set solutions include thermostat and receiver**
- **Can be combined with other Danfoss wireless thermostats**

Thermostat Features	RT51-RF			
Code No - Without Receiver	087N699900			
Code No - Set with RX1 Receiver	087N729900			
Temperature Range	Off, 5 - 30°C			
Setting Dial and LCD Display	•			
Chrono-proportional or On/Off Control	•			
Selectable Fahrenheit or Centigrade Scaling	•			
Transmitter Frequency	433.92 MHz			
Transmitter Range	Typically 30 metres ⁽¹⁾			
Power Supply	2 x AA/LR6/MN 1500 Alkaline Batteries			
Dimensions (mm)	85 Wide x 86 High x 42 Deep			
<i>(1) Please ensure there are no large metal objects between thermostat and receiver, as these will interfere with radio signal.</i>				
Receiver Options	RX1	RX2	RX2C	RX3
Order Codes	087N747600	087N747700	087N747900	087N747800
Single Zone Receiver	•			
Two Zone Receiver		•	•	
Three Zone Receiver				•
Power Supply (receivers)	230 Vac ±15%, 50/60 Hz			
Contact Details, Commons Linked Internally	1 x SPDT	1 x SPDT 1 x SPST		2 x SPST 1 x SPDT
Contact Details, Independent Commons, Volt Free			2 x SPDT	
Contact Rating	10-230 Vac, 3 (1) A			
Dimensions (mm)	138 Wide x 88 High x 32 Deep			

Programmable Room Thermostat TP4000-RF (24 Hour)

Easy to use programmable thermostat providing different temperatures at different times of the day; ideal for Combi boiler installations.

The TP4000-RF programmable room thermostat combines the functions of a timeswitch and room thermostat into an easy to use unit, which provides up to six time and temperature events per day.

This flexibility allows the operation of the heating system to be matched to the lifestyle of the user, providing different temperatures at different times of the day.

The TP4000-RF is a 24-hour room thermostat, where the demand is for the same programme each day. Temporary adjustments can be made to control temperature but the override is cancelled at the beginning of the next event. It also has an easy to use 'frost protection' setting feature.

The TP4000-RF is designed with modern times in mind.



TP4000-RF



RX1

- **Large, easy to read display**
- **24 hour programming**
- **Easy to programme and operate**
- **Battery powered**
- **Compact design**
- **Factory pre-set programmes**
- **Built-in frost protection**
- **Chrono-proportional or on/off**

Thermostat Features		TP4000-RF				
Code No - Without Receiver		087N792000				
Code No - Set with RX1 Receiver		087N792100				
24 Programming		•				
Temperature Range		Off, 5 - 30°C				
LCD Display		•				
On/Off Control		•				
Selectable Fahrenheit or Centigrade Scaling		•				
Transmitter Frequency		433.92 MHz				
Transmitter Range		Typically 30 metres ⁽¹⁾				
Power Supply		2 x AA/LR6/MN 1500 Alkaline Batteries				
Dimensions (mm)		85 Wide x 86 High x 42 Deep				
<i>(1) Please ensure there are no large metal objects between thermostat and receiver, as these will interfere with radio signal.</i>						
Receiver Options	RX1	RX2	RX2C	RX3	RX3B	
Order Codes	087N747600	087N747700	087N747900	087N747800	087N48400	
Single Zone Receiver	•					
Two Zone Receiver		•	•			
Three Zone Receiver				•	•	
Common Heat Demand Output					•	
Power Supply (receivers)	230 Vac ±15%, 50/60 Hz					
Contact Details, Commons Linked Internally	1 x SPDT	1 x SPDT 1 x SPST		2 x SPST 1 x SPDT	2 x SPST 1 x SPDT	
Contact Details, Independent Commons, Volt Free			2 x SPDT			
Contact Rating	10-230 Vac, 3 (1) A					
Dimensions (mm)	138 Wide x 88 High x 32 Deep					

Programmable Room Thermostat TP5000Si (24 Hour or 5/2 Day)



TP5000Si-RF



RX2

A programmable thermostat which provides different temperatures at different times of the day; ideal for Combi boiler and floor heating installations.

The TP5000Si-RF is one of the easiest to use 5/2 day programmable thermostats on the market today. Providing up to 6 time and temperature events for each week-day, with a separate set of events for weekends, the TP5000Si-RF meets the lifestyle requirements of most households. The thermostat incorporates many useful features including a service interval function, factory set clock, frost setting and temporary temperature overrides.

Aesthetically attractive, with a slim design, the TP5000Si-RF utilises secure digital wireless signals to communicate with a receiver unit mounted adjacent to the boiler or in the airing cupboard. This removes the need for any fixed wiring between the thermostat and other controls, reducing installation time and eliminating the risk of damaging decoration and furnishing, particularly important when upgrading existing systems, or at time of boiler change. Thermostats and receivers sold as sets are matched in the factory using a simple commissioning process.

Chrono-proportional control is the standard setting for the TP5000Si-RF but advanced conventional ON/OFF control is an installer-set option. This modulating control mode uses a cycling pattern within which boiler on/off percentages are varied to satisfy heating requirements. Chrono-proportional cycling rates of 3, 6, 9 or 12 per hour can be selected.

Service Interval Function

The optional Service Interval Function incorporated into the TP5000Si-RF helps landlords meet the boiler servicing requirements of Gas Safety Regulation 36. The unit provides audible and visual warnings from 28 days before servicing is due and ultimately reduces the heating output should the due date pass. Full heating operation can only be restored by an authorised installer.

- Chrono-proportional or on/off
- Easy to programme and operate
- Up to 6 events per day
- Thermostat mode and frost protection
- Utilises secure digital wireless communication
- Ideal solution for system upgrades
- Set solutions include thermostat and receiver
- Can be combined with other Danfoss wireless thermostats
- Service interval function

Wireless versions	TP5000-RF Si	TP5000A-RF Si
Code without receiver	087N791200	087N791300
Code for set c/w single channel receiver	087N791400	
Programmable operation	24 hour or 5/2 day	
Number of events per day	6, 4 or 2	
Temperature range	Off, 5-30°C	
Clock display	24 hour	
Factory pre-set programmes	Yes	
Room temperature override	Yes	Adjustable
Display time or temperature option	Yes	
Thermostat mode and frost protection	Yes	
Weekend into weekday override	Yes	
Control Type	Chrono-proportional or on/off control	
Power supply, thermostats	2 x AA/MN1500/LR6 alkaline batteries ⁽¹⁾	
Maximum ambient temperature	45°C	
Contact type and rating (hard-wired models)	10-230 Vac, 3(1)A	
Transmission frequency (RF models)	433.92 MHz	
Transmission range (RF models)	30 metres max. ⁽²⁾	
Dimensions (mm)	110 wide x 88 high x 28 deep	

Notes:

- (1) Memory is retained for 1 minute during battery change.
- (2) Please ensure there are no large metal objects between thermostat and receiver as these will interfere with radio signal.
- (3) Can be configured for remote temperature sensor, limit sensor, window contact or telephone activated switch contact.
- (4) Remote sensor is supplied as an accessory, if remote sensor is required order TS2 sensor, code 087N681100.

Receivers (RF models)	RX-1	RX-2	RX-2C	RX-3
Code No.	087N747600	087N747700	087N747900	087N747800
Number of zones receiver covers	1	2	2	3
Power supply (receivers)	230 Vac, ±15%, 50/60 Hz			
Contact details	1-SPDT	1-SPDT, 1-SPST	2-SPDT	1-SPDT, 2-SPST
Contact rating	10-230 Vac, 3(1)A			
Dimensions (mm)	138 wide x 88 high x 32 deep			

Programmable Room Thermostat TP7000-RF (7 Day, 5/2 Day or 24 Hour)

For situations where a higher flexibility of control is required.

The TP7000-RF provides full 7-day programming with up to six different time and temperatures each day, ideal for households with more complex lifestyles.

This thermostat incorporates many advanced features including optimum start control and 99 day holiday programming options. This is in addition to many user features including frost setting, timed temporary temperature overrides and customisable LCD display settings.

Aesthetically attractive, with a slim design, the TP7000-RF utilises secure digital wireless signals to communicate with a receiver unit mounted adjacent to the boiler or in the airing cupboard. This removes the need for any fixed wiring between the thermostat and other controls, reducing installation time and eliminating the risk of damaging decoration and furnishing, particularly important when upgrading existing systems, or at time of boiler change. Thermostats and receivers sold as sets are matched in the factory using a simple commissioning process.

Chrono-proportional control is the standard setting for the TP7000-RF but advanced conventional ON/OFF control is an installer-set option. This modulating control mode uses a cycling pattern within which boiler on/off percentages are varied to satisfy heating requirements. Chrono-proportional cycling rates of 3, 6, 9 or 12 per hour can be selected.



TP7000-RF



RX3

- True 7 day programming
- 7 day or 5/2 day operation
- Up to 6 time and temperature changes per day
- Built-in holiday function
- Optimum Start Control
- Chrono-proportional or On/Off Control
- Convenient user overrides
- Wallplate construction

Wireless versions	TP7000-RF	TP7000A-RF
Code No. - wireless model, built-in sensor ⁽²⁾	087N741000	
Code No. - wireless models, remote sensor		087N741100
Code No. - for set c/w RX-1 receiver (single channel)	087N741800	
Temperature range (°C or °F display)	Off, 5-30°C (41-86°F)	
Time and temperature events per day	Up to 6	
Room temperature override	•	
Display time or temperature	•	
Thermostat mode	•	
Extend function 1, 2 or 3 hours	•	
Holiday function, up to 99 days	•	
Control Type	Chrono-proportional or on/off control	
Optimum start control	•	
Voltage rating of contacts (hard-wired models)	10-250 Vac, 50/60 Hz	
Current rating of contacts (hard-wired models) ⁽³⁾	3(1)A	
Switching action of contacts (hard-wired models)	1 SPDT	
Transmitter frequency (wireless models)	433.92 MHz	
Transmitter range (wireless models)	30 metres ⁽⁴⁾	
Power supply (Memory is retained for 1 minute during battery change)	2 x AA/LR6/MN1500 Alkaline batteries ⁽⁴⁾	
Maximum ambient temperature	45°C	
Dimensions (mm)	135 wide x 88 high x 28 deep	
<i>(1) TP7000M has battery back-up based upon Nickel Metal Hydride cell. This takes 6 days to fully charge, with a minimum of 24 hours before back-up service is available.</i>		
<i>(2) Requires RX receiver unit, please see table below.</i>		
<i>(3) When switching low voltage, contacts must carry a minimum of 10mA</i>		
<i>(4) Please ensure no large metal objects between thermostat and receiver, as these will interfere with radio signal</i>		

Receivers (RF models)	RX-1	RX-2	RX-2C	RX-3
Code No.	087N747600	087N747700	087N747900	087N747800
Number of zones receiver covers	1	2	2	3
Power supply (receivers)	230 Vac, ±15%, 50/60 Hz			
Contact details	1-SPDT	1-SPDT, 1-SPST	2-SPDT	1-SPDT, 2-SPST
Contact rating	10-230 Vac, 3(1)A			
Dimensions (mm)	138 wide x 88 high x 32 deep			

Accessories			
TS2 Remote Air Sensor 087N681100		TS3 Remote Floor Sensor 087N678400	
		Table Stand 087N791900	

Hot Water Thermostats CET B-RF and WP75-RF



CET B-RF



WP75-RF

The CET B-RF is a dial setting electronic cylinder thermostat which utilises a clamp-on sensor that is hard-wired to the thermostat control module which is normally mounted on an adjacent wall. The CET B-RF incorporates an LCD which during normal operation displays actual cylinder temperature and thermostat output status. This changes momentarily to display set temperature whenever the setting dial is moved. Time control is provided by conventional time control.

The WP75-RF is a 7-day programmable hot water thermostat that allows up to three different cylinder temperatures to be programmed throughout the day. Different programmes can be set for each day of the week. The WP75-RF utilises a clamp-on sensor that is hard-wired to the thermostat control module which is normally mounted on an adjacent wall. The thermostat incorporates many useful features including a one shot 'boost' feature that re-heats the cylinder, and then turns off. The unit also incorporates a useful hot water status indicator which gives an indication of how much hot water there is in the cylinder.

Wireless hot water thermostats are a new concept and are particularly suited to system boilers which no longer require the heating and hot water zone valves to be located in the airing cupboard. Instead they can be located adjacent to the boiler to reduce the amount of field wiring and associated disruption. Both CET B-RF and WP75-RF utilise secure digital wireless signals to communicate with receiver units that can be mounted up to 30 metres from the thermostat, doing away with the need for hard-wiring between the thermostats and other system components. Thermostats and receivers sold as sets are matched in the factory using a simple commissioning process, details of which can be found at the rear of this publication.

Combined with a wireless room thermostat, this type of control can significantly reduce the installation time and the risk of damage to furnishing and decoration associated with more traditional hard-wired solutions.

CET B-RF is available in a convenient boxed set that includes a single channel receiver. If the system is zoned and requires more than one thermostat, purchase thermostats as loose items and select a receiver unit with the appropriate number of channels.

- **Dial setting and programmable versions**
- **Utilises secure digital wireless communication**
- **Ideal solution for system upgrades**
- **Set solutions include thermostat and receiver**
- **Can be combined with other Danfoss wireless thermostats**

Thermostat Features	CET B-RF	WP75-RF		
Code No - Without Receiver	087N727700	087N685000		
Code No - Set with RX1 Receiver	087N727800			
Dial-setting Thermostat with LCD	•			
Programmable Thermostat with LCD		•		
5/2 Day or 7 Day Programming Options		•		
Up to 3 Time and Temperature changes per Day		•		
Temperature Range	Off, 40-65°C	Off, 35-65°C		
Tank Mounting Temperature Sensor ⁽¹⁾		•		
1 Shot "Boost" Feature		•		
Selectable Fahrenheit or Centigrade Scaling		•		
Transmitter Frequency	433.92 MHz			
Transmitter Range	Typically 30 metres ⁽¹⁾			
Power Supply	2 x AA/LR6/MN 1500 Alkaline Batteries			
Dimensions (width x height x depth) mm	85 x 86 x 51	135 x 88 x 43		
<i>(1) Please ensure there are no large metal objects between thermostat and receiver, as these will interfere with radio signal</i>				
Dimensions (mm)	138 Wide x 88 High x 32 Deep			
Receivers (RF models)	RX-1	RX-2	RX-2C	RX-3
Code No.	087N747600	087N747700	087N747900	087N747800
Number of zones receiver covers	1	2	2	3
Power supply (receivers)	230 Vac, ±15%, 50/60 Hz			
Contact details	1-SPDT	1-SPDT, 1-SPST	2-SPDT	1-SPDT, 2-SPST
Contact rating	10-230 Vac, 3(1)A			
Dimensions (mm)	138 wide x 88 high x 32 deep			

Combination Boiler Systems



TP5000 Si-RF
Programmable Room Thermostat



TP7000-RF
Programmable Room Thermostat
OR



RT51-RF
Digital Room Thermostat
OR



RET B-RF
Dial Setting Room Thermostat

Application

In line with the Building Regulations, a boiler interlock must be provided even in systems fitted with combination boilers. The normal way of achieving compliance is to fit a room thermostat in a reference room, normally the hall or living room. Combination boiler systems are ideally suited to wireless room thermostat control, allowing the installation to be completed without the need for time consuming wiring to the room thermostat location. In addition to saving time, such solutions also reduce the disruption caused to home-owners normally associated with installing hard-wired solutions. There is also the added benefit of eliminating the risk of damage to furnishing, carpets and decoration that may occur during the installation of conventional wired solutions.

Combination Boilers with Built-in Time Controls

For such systems choose either a simple dial-setting thermostat, type RET B-RF, or a digital display, type RT51-RF. The thermostat is located in the reference room and the thermostat receiver unit is mounted adjacent to the boiler. Wiring is limited to providing the RX receiver unit with power (normally looped out of the boiler mains terminals) plus two wires from the thermostat connections of the boiler to the output connections of the RX receiver. Contacts within the RX receiver are voltage free making the units compatible with all boiler types.

Combination Boilers without Built-in Time Controls

For Combination boilers without time control, or in situations where greater programming flexibility is demanded, a programmable room thermostat can be used. For simple 5/2 day operation select a TP5000Si-RF. If additional features including 7-day operation are required select a TP7000-RF model. The thermostat is located in the reference room and the thermostat receiver unit is mounted adjacent to the boiler. Wiring is limited to providing the RX receiver unit with power (normally looped out of the boiler mains terminals) plus two wires from the thermostat connections of the boiler to the output connections of the RX receiver. Contacts within the RX receiver are voltage free making the units compatible with all boiler types.

Pack Contents

Each set of controls for applications referred to above contain a wireless thermostat, (RET B-RF, RT51-RF, TP5000Si-RF or TP7000-RF), and a single channel RX1 receiver.

Installation Advice

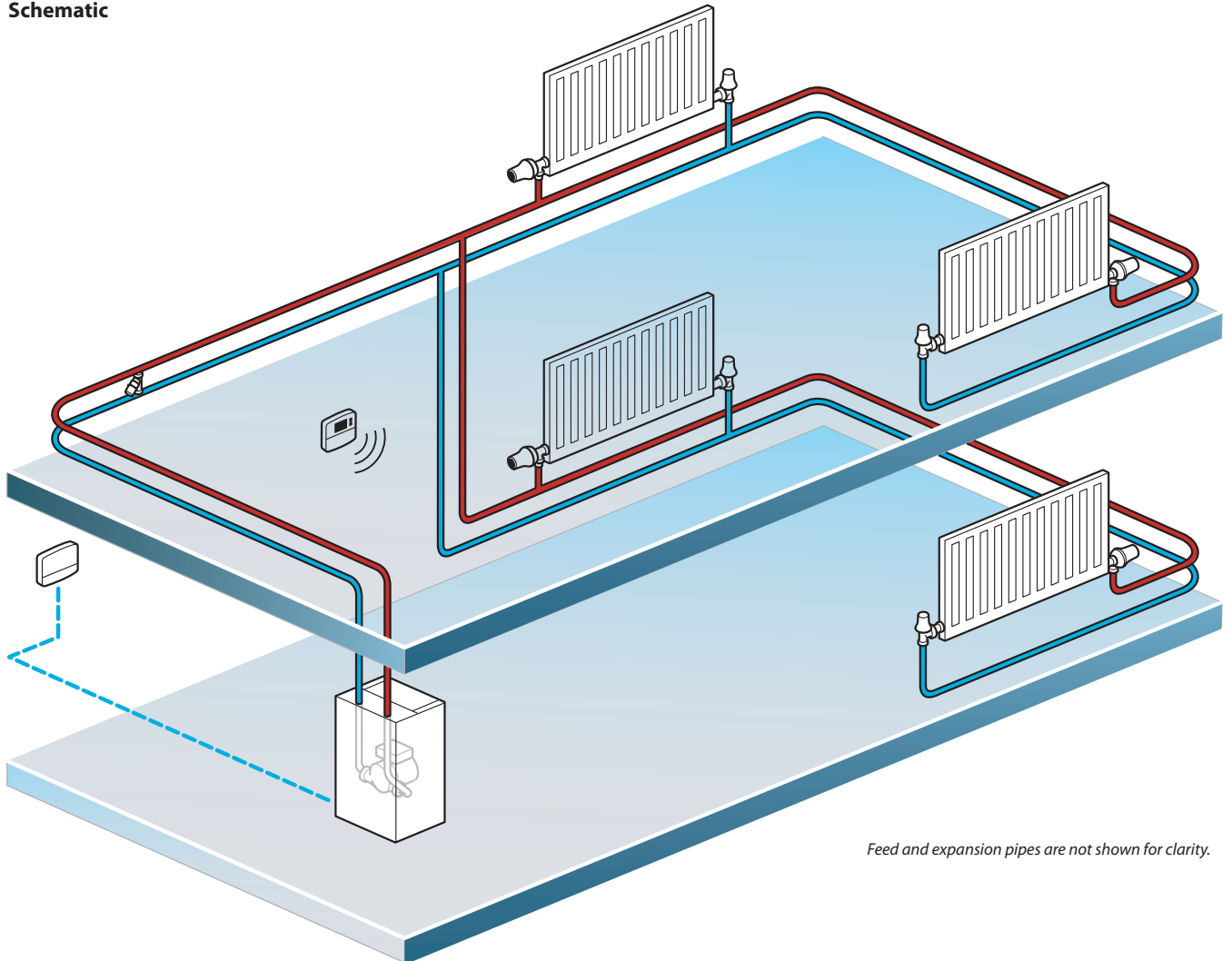
Care must be taken to ensure that there are no large metal objects, such as domestic appliances or indeed the boiler case, sitting in the line between the thermostat and the receiver as these may block the wireless transmission from the thermostat. It is a sensible precaution to install the receiver, pair it to the thermostat (if bought as loose components) and test that the thermostat can communicate with the receiver from the intended installation location before fixing the thermostat to the wall. If communication is not possible, adjust the thermostat location until communication is established.

A detailed write-up of the 'pairing' process is given on page 27, 28 and 29 of this catalogue.

Combi Boiler Thermostat Sets: Wireless Programmable Room and Receiver			
Description ^{(1) (2)}	Order No	Room Thermostat	Wireless Receiver Unit
Set with Setting Dial Thermostat	087N727600	RET B-RF	RX1
Set with Digital Thermostat	087N729900	RT51-RF	RX1
Set with 5/2 Day Programming Options	087N791400	TP5000Si-RF	RX1
Set with 7 Day Programming Option	087N741800	TP7000-RF	RX1

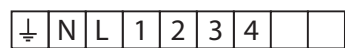
(1) Sets comprise of thermostat and receiver unit only
 (2) For description of individual products refer to pages 8 - 13

Schematic

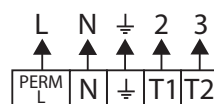


Feed and expansion pipes are not shown for clarity.

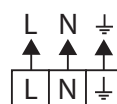
Wiring Diagram



RX1



Boiler



Mains
fused 3A

RX Channel Assignment

Channel 1	Heating
-----------	---------

Mid Position Valve Systems With 2-channel programmer and wireless dial setting



CS1 Sensor



CET B-RF Dial Setting Hot Water Thermostat



RET B-RF Dial Setting Room Thermostat



FP715Si Programmer



WC4B Wiring Centre

Application

In line with the Building Regulations, a control system must provide time and temperature control of both heating and hot-water services. In addition a boiler interlock must be provided to turn off the boiler when no heat demand is present. Traditionally this has been achieved using a conventional programmer, room thermostat and cylinder thermostat, hard-wired to motorised zone valves or a mid-position valve.

In boiler replacement situations, where system boilers are increasingly used, it is often convenient to locate mid-position valves adjacent to the boiler. Using wireless technology, both cylinder and room thermostat are able to communicate with a wireless receiver unit mounted adjacent to the mid-position valve and boiler. This totally eliminates the need for any hard-wiring between the thermostats and other system components. Not only does this reduce installation time, it also reduces the disruption and possible damage associated with normal hard-wired solutions.

Space Heating Controls

Where the customer wishes to retain a conventional programmer and dial-setting thermostats, as opposed to a programmable thermostat, temperature control of heating is achieved using a wireless dial setting thermostat, type RET B-RF. The room thermostat communicates with the heating channel of an RX2C wireless receiver. Time control of the heating is provided by the heating channel of a conventional hard-wired FP715Si programmer mounted adjacent to the receiver unit. Together the RX2C and the FP715Si control the heating operation of the mid-position valve that in turn provides the boiler interlock.

Hot Water Controls

Temperature control is achieved using a wireless dial-setting hot water thermostat, type CET B-RF. This thermostat communicates with the hot water channel of the RX2C. Time control of the hot water is provided by the hot water channel of a conventional hard-wired FP715Si programmer mounted adjacent to the receiver unit. Together the RX2C and the FP715Si control the hot water operation of the mid-position valve that in turn provides the boiler interlock. The thermostat is battery driven and requires no external power supply. Wiring to the thermostat is restricted to a short two-core cable between the wall mounted programming unit and the thermostat sensor which is clamped to the cylinder wall.

Pack Contents

The pack for this application includes an RET B-RF wireless dial setting room thermostat, a CET B-RF wireless hot water thermostat, an RX2C wireless receiver, an FP715Si hard-wired programmer, one 22mm mid-position valve and a WC4B wiring centre.

Installation Advice

Care must be taken to ensure that there are no large metal objects, such as domestic appliances or indeed the boiler case, sitting in the line between the thermostats and the receiver as these may block the wireless transmission from the thermostats. It is a sensible precaution to install the receiver, pair it to the thermostat, (if bought as loose components) and test that the thermostat can communicate to the receiver from the intended installation location before fixing the thermostat to the wall. If communication is not possible, adjust the thermostat location until communication is established.

Important Note: Thermostats and receivers listed on this page are not factory paired.

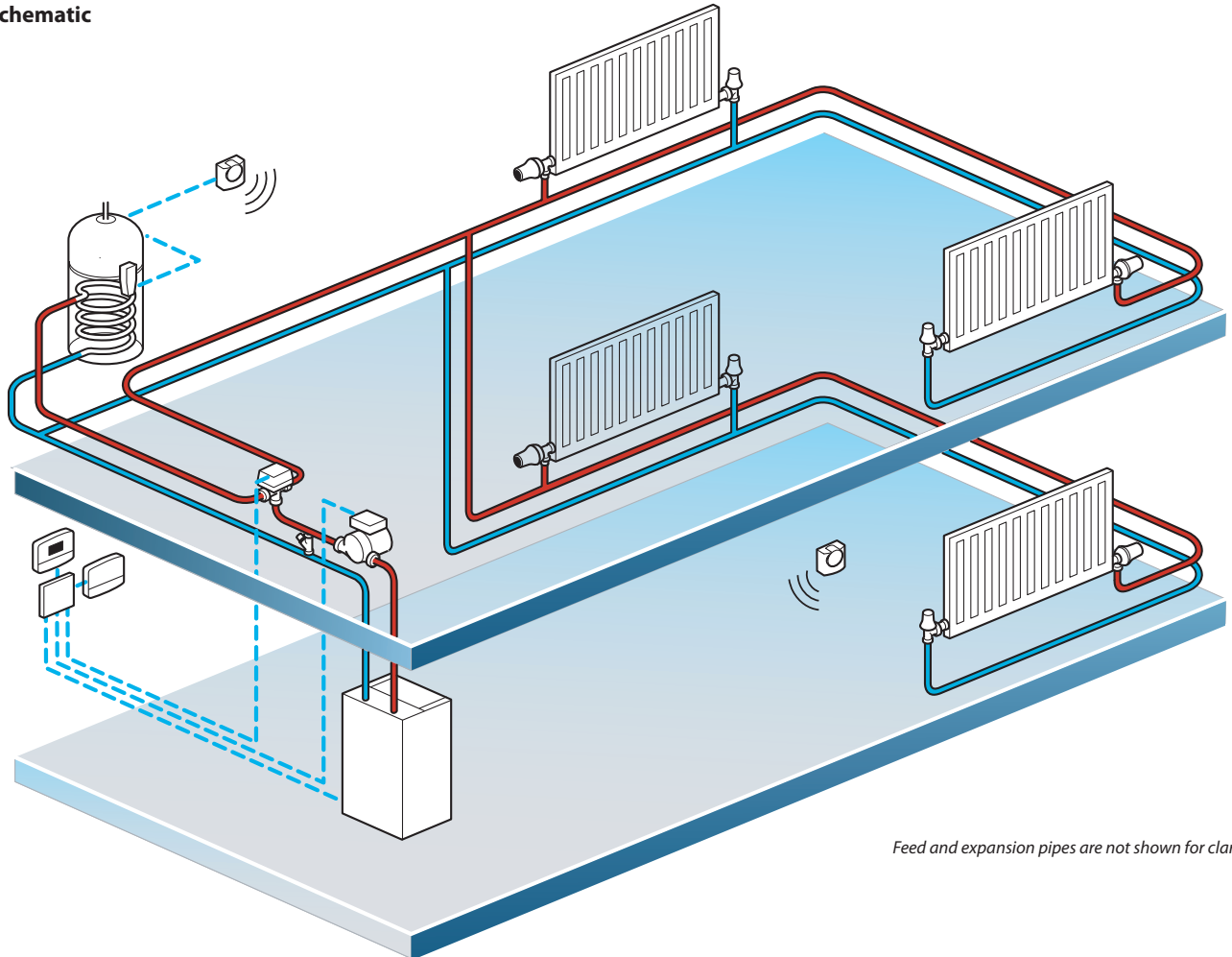
A detailed write-up of the 'pairing' process is given on page 27, 28 and 29 of this catalogue.

3 Port Valve Pack: Wireless Dial-setting Room and Hot Water Thermostats with Hard-wired Programmer							
Description ⁽¹⁾	Order No	Room Thermostat	Hot Water Thermostat	Receiver	Wiring Centre	3 Port Mid Position ⁽²⁾	Programmer
Pack with 24 hour, 5/2 day or 7 day programming options	087N6500V3	RET B-RF	CET B-RF	RX2C	WC4B	1 x HS3	FP715Si

(1) For a description of the individual products please refer to pages 8-13
 (2) All valves are 22mm size

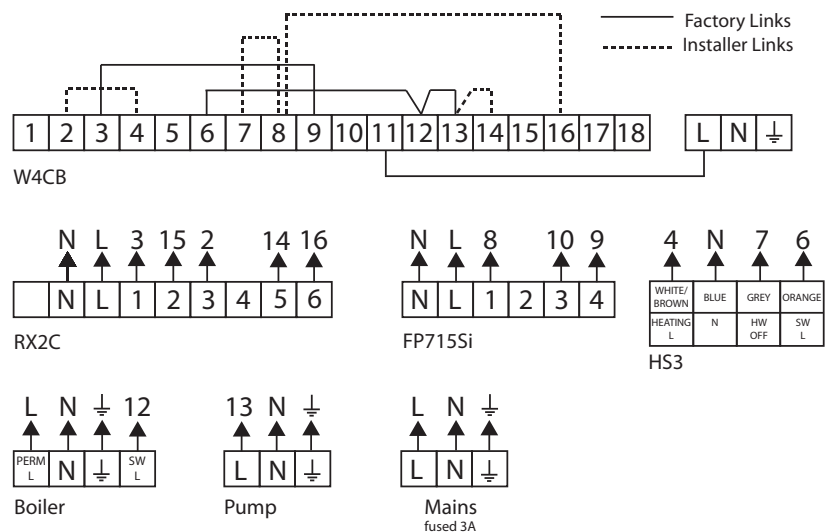
room thermostat and hot water thermostat

Schematic



Feed and expansion pipes are not shown for clarity.

Wiring Diagram



RX Channel Assignment

Channel 1	Heating	Channel 2	Hot Water
------------------	---------	------------------	-----------

Mid Position Valve Systems With programmable heating and hot water thermostats



TP5000 Si-RF
Programmable Room Thermostat
OR



TP7000-RF
Programmable Room Thermostat



CS1 Sensor



FP715Si Programmer



WC4B Wiring Centre

Application

In line with the Building Regulations, a control system must provide time and temperature control of both heating and hot water services. In addition a boiler interlock must be provided to turn off the boiler when no heat demand is present. Traditionally this has been achieved using a conventional programmer, room thermostat and cylinder thermostat, hard-wired to a mid-position valve.

In boiler replacement situations, where system boilers are increasingly used, it is often convenient to locate the motorised valve adjacent to the boiler. Using wireless technology, both cylinder and room thermostat are able to communicate with a wireless receiver unit mounted adjacent to the motorised valve and boiler. This totally eliminates the need for any hard-wiring between the thermostats and other system components. Not only does this reduce installation time, it also reduces the disruption and possible damage associated with normal hard-wired solutions.

Space Heating Controls

Time and temperature control of heating is achieved using a wireless programmable room thermostat. The programmable room thermostat communicates with the heating channel of an RX2C wireless receiver which in turn controls the heating demand operation of the mid-position valve and the boiler interlock. For normal 5/2 day operating requirements select a pack which contains TP5000Si-RF. If 7-day operation is required select a pack which contains TP7000-RF.

Hot Water Controls

Time and temperature control is achieved using a wireless programmable hot-water thermostat, type WP75-RF. This thermostat communicates with the hot water channel of the RX2C which in turn controls the hot water demand operation of the mid-position valve and the boiler interlock. The thermostat is battery driven and requires no external power supply.

Wiring to the thermostat is restricted to a short two-core cable between the wall mounted programming unit and the thermostat sensor which is clamped to the cylinder wall.

Pack Contents

All packs for the application listed on this page include a wireless room thermostat (TP5000Si-RF or TP7000-RF), a WP75-RF wireless hot water thermostat, an RX2C wireless receiver and a 22mm mid-position valve and a wiring centre.

Installation Advice

Care must be taken to ensure that there are no large metal objects, such as domestic appliances or indeed the boiler case, sitting in the line between the thermostats and the receiver as these may block the wireless transmission from the thermostats. It is a sensible precaution to install the receiver, pair it to the thermostat and test that the thermostat can communicate to the receiver from the intended installation location before fixing the thermostat to the wall. If communication is not possible, adjust the thermostat location until communication is established.

Important Note: Thermostats and receivers listed on this page are not factory paired.

A detailed write-up of the 'pairing' process is given on page 27, 28 and 29 of this catalogue.

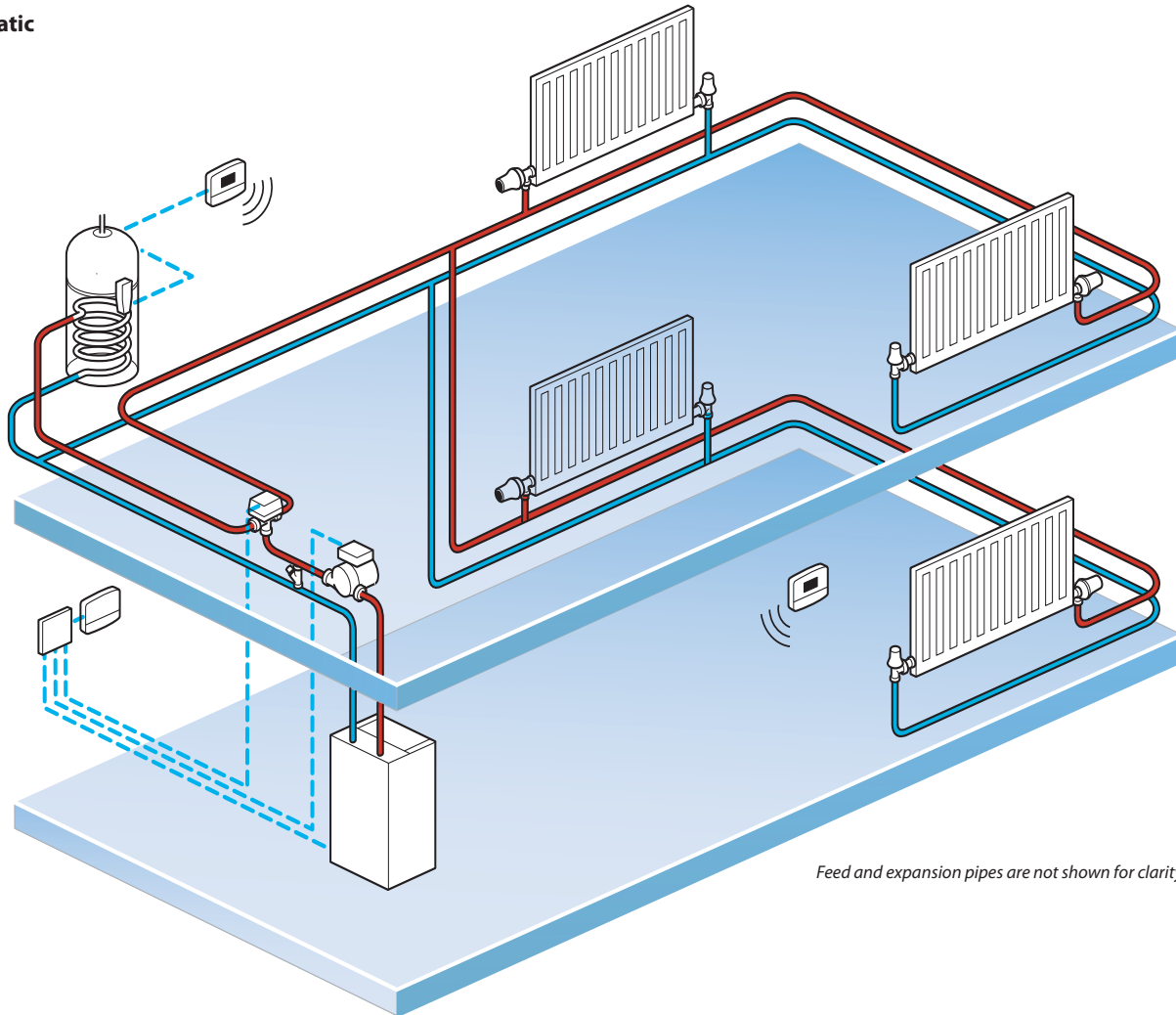


Mid Position Motorised Valve

3 Port Valve Pack: Wireless Programmable Heating and Hot Water Thermostats						
Description ⁽¹⁾	Order No	Room Thermostat	Hot Water Thermostat	Receiver	Wiring Centre	3 Port Mid Position ⁽²⁾
Pack with 7 day programming options	087N742100	TP7000-RF	WP75-RF	RX2C	WC4B	No Valves
Pack with 7 day programming options	087N742200	TP7000-RF	WP75-RF	RX2C	WC4B	1 x HS3
Pack with 5/2 day programming options	087N742400	TP5000Si-RF	WP75-RF	RX2C	WC4B	1 x HS3

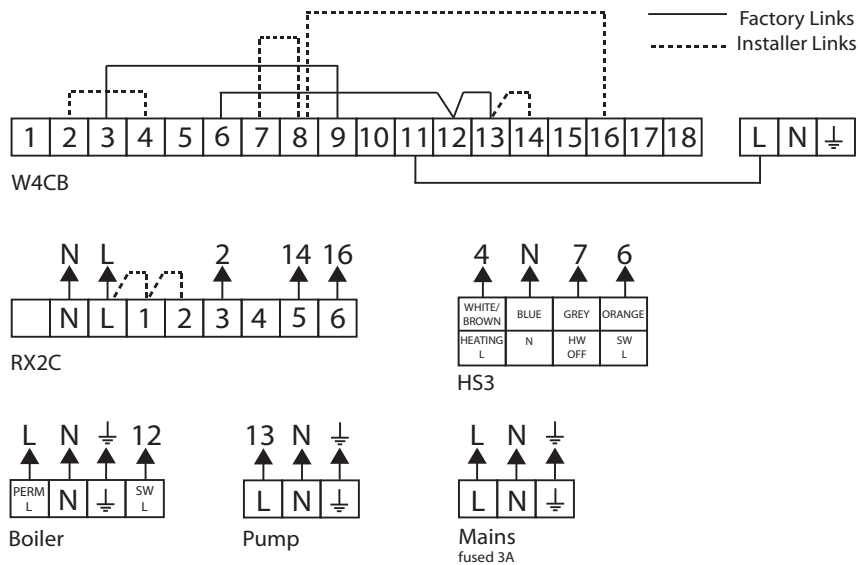
(1) For a description of the individual products please refer to pages 8-13
 (2) All valves are 22mm size

Schematic



Feed and expansion pipes are not shown for clarity.

Wiring Diagram



RX Channel Assignment

Channel 1	Heating	Channel 2	Hot Water
-----------	---------	-----------	-----------

2 Port Valve Systems With 2-channel programmer and wireless dial setting



CS1 Sensor



CET B-RF Dial Setting Hot Water Thermostat



RET B-RF Dial Setting Room Thermostat



FP715Si Programmer



WC4B Wiring Centre

Application

In line with the Building Regulations, a control system must provide time and temperature control of both heating and hot water services. In addition a boiler interlock must be provided to turn off the boiler when no heat demand is present. Traditionally this has been achieved using a conventional programmer, room thermostat and cylinder thermostat, hard-wired to motorised zone valves.

In boiler replacement situations, where system boilers are increasingly used, it is often convenient to locate motorised valves adjacent to the boiler. Using wireless technology, both cylinder and room thermostat are able to communicate with a wireless receiver unit mounted adjacent to the motorised valves and boiler. This totally eliminates the need for any hard-wiring between the thermostats and other system components. Not only does this reduce installation time, it also reduces the disruption and possible damage associated with normal hard-wired solutions

Space Heating Controls

Where the customer wishes to retain a conventional programmer and dial-setting thermostats, as opposed to a programmable thermostat, temperature control of heating is achieved using a wireless dial setting thermostat, type RET B-RF. The room thermostat communicates with the heating channel of an RX2C wireless receiver. Time control of the heating is provided by the heating channel of a conventional hard-wired FP715Si programmer mounted adjacent to the receiver unit. Together the RX2C and the FP715Si control the heating zone valve that in turn provides the boiler interlock.

Hot Water Controls

Temperature control is achieved using a wireless dial-setting hot water thermostat, type CET B-RF. This thermostat communicates with the hot water channel of the RX2C. Time control of the hot water is provided by the hot water channel of a conventional hard-wired FP715Si programmer mounted adjacent to the

receiver unit. Together the RX2C and the FP715Si control the hot water zone valve that in turn provides the boiler interlock.

The thermostat is battery driven and requires no external power supply. Wiring to the thermostat is restricted to a short two-core cable between the wall mounted programming unit and the thermostat sensor which is clamped to the cylinder wall.

Pack Contents

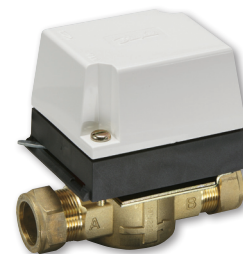
The pack for this application includes an RET B-RF wireless dial setting room thermostat, a CET B-RF wireless hot-water thermostat, an RX2C wireless receiver, an FP715Si hard-wired programmer, two 22mm two-port zone valves and a WC4B wiring centre.

Installation Advice

Care must be taken to ensure that there are no large metal objects, such as domestic appliances or indeed the boiler case, sitting in the line between the thermostats and the receiver as these may block the wireless transmission from the thermostats. It is a sensible precaution to install the receiver, pair it to the thermostat and test that the thermostat can communicate to the receiver from the intended installation location before fixing the thermostat to the wall. If communication is not possible, adjust the thermostat location until communication is established.

Important Note: Thermostats and receivers listed on this page are not factory paired.

A detailed write-up of the 'pairing' process is given on page 27, 28 and 29 of this catalogue.



2 Port Motorised Valve

2 Port Valve Pack: Wireless Dial-setting Room and Hot Water Thermostats with Hard-wired Programmer

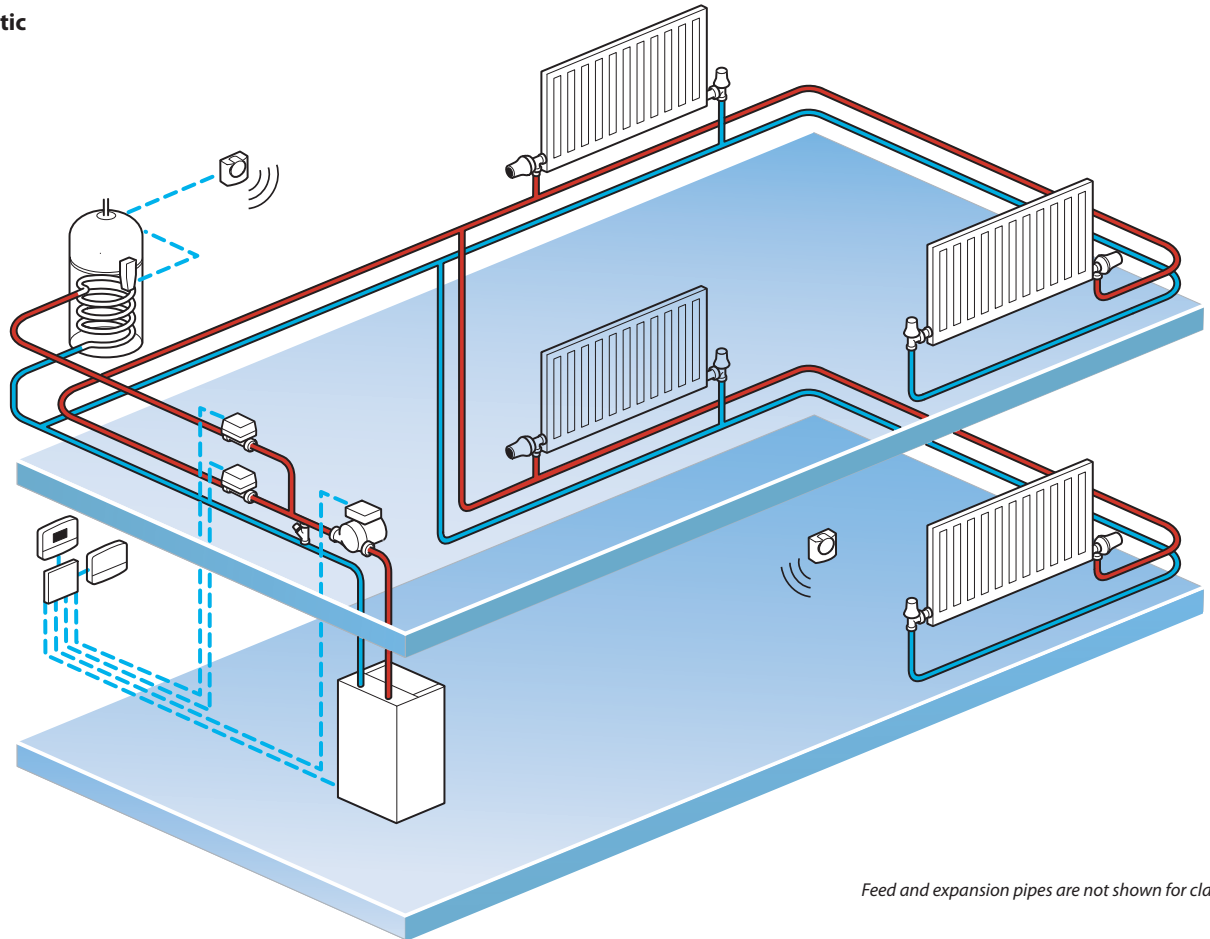
Description ⁽¹⁾	Order No	Room Thermostat	Hot Water Thermostat	Receiver	Wiring Centre	2 Port Zone Valve ⁽²⁾	Programmer
Pack with 24 hour, 5/2 day or 7 day programming options	087N6500V4	RET B-RF	CET B-RF	RX2C	WC4B	2 x HP22	FP715Si

(1) For a description of the individual products please refer to page 8-13

(2) All valves are 22mm size

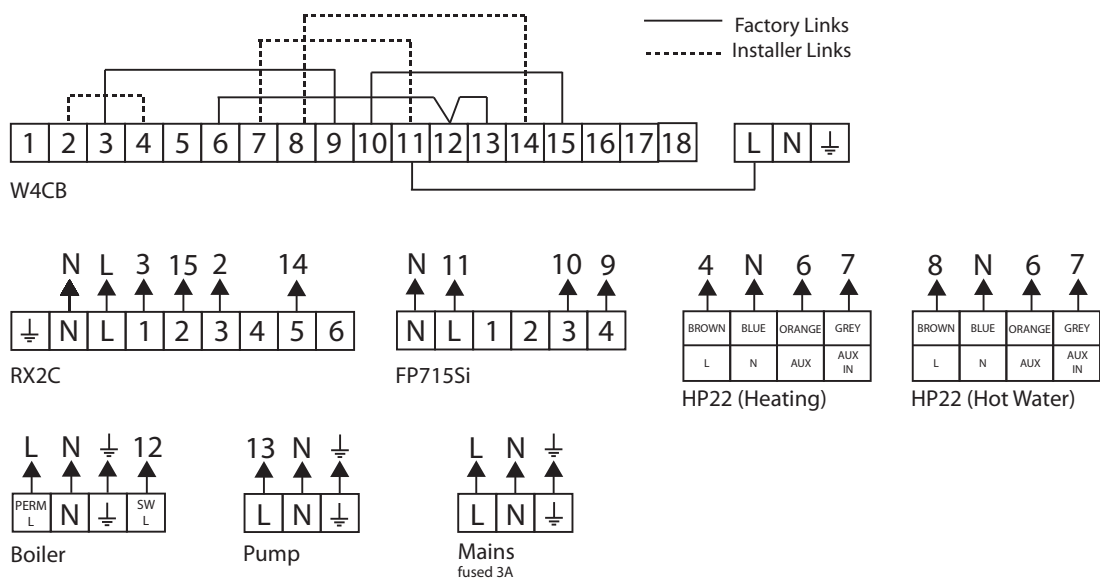
room thermostat and hot water thermostat

Schematic



Feed and expansion pipes are not shown for clarity.

Wiring Diagram



RX Channel Assignment

Channel 1	Heating	Channel 2	Hot Water
-----------	---------	-----------	-----------

2 Port Valve Systems With programmable heating and hot water thermostats



**TP5000 Si-RF
Programmable Room Thermostat**



**TP7000-RF
Programmable Room Thermostat**



CS1 Sensor



**WP75-RF Hot Water
Programmable Thermostat**



WC4B Wiring Centre

Application

In line with the Building Regulations, a control system must provide time and temperature control of both heating and hot-water services. In addition a boiler interlock must be provided to turn off the boiler when no heat demand is present. Traditionally this has been achieved using a conventional programmer, room thermostat and cylinder thermostat, hard-wired to motorised zone valves.

In boiler replacement situations, where system boilers are increasingly used, it is often convenient to locate motorised valves adjacent to the boiler. Using wireless technology, both cylinder and room thermostat are able to communicate with a wireless receiver unit mounted adjacent to the motorised valves and boiler. This totally eliminates the need for any hard-wiring between the thermostats and other system components. Not only does this reduce installation time, it also reduces the disruption and possible damage associated with normal hard-wired solutions.

Space Heating Controls

Time and temperature control of heating is achieved using a wireless programmable room thermostat. The programmable room thermostat communicates with the heating channel of an RX2C wireless receiver which in turn controls the operation of the heating zone valve and the boiler interlock. For normal 5/2 day operating requirements select a pack which contains TP5000Si-RF. If 7-day operation is required select a pack which contains TP7000-RF.

Hot Water Controls

Time and temperature control is achieved using a wireless programmable hot-water thermostat, type WP75-RF. This thermostat communicates with the hot water channel of the RX2C which in turn controls the operation of the motorised valve and the boiler interlock. The thermostat is battery driven and requires no external power supply. Wiring to the thermostat is restricted to a short two-core cable

between the wall mounted programming unit and the thermostat sensor which is clamped to the cylinder wall.

Pack Contents

All packs for the application listed on this page include a wireless room thermostat (TP5000Si-RF or TP7000-RF), a WP75-RF wireless hot water thermostat, an RX2C wireless receiver, two 22mm two-port zone valves and a WC4B wiring centre.

Installation Advice

Care must be taken to ensure that there are no large metal objects, such as domestic appliances or indeed the boiler case, sitting in the line between the thermostats and the receiver as these may block the wireless transmission from the thermostats. It is a sensible precaution to install the receiver, pair it to the thermostat and test that the thermostat can communicate with the receiver from the intended installation location before fixing the thermostat to the wall. If communication is not possible, adjust the thermostat location until communication is established.

Important Note: Thermostats and receivers listed on this page are not factory paired.

A detailed write-up of the 'pairing' process is given on page 27, 28 and 29 of this catalogue.

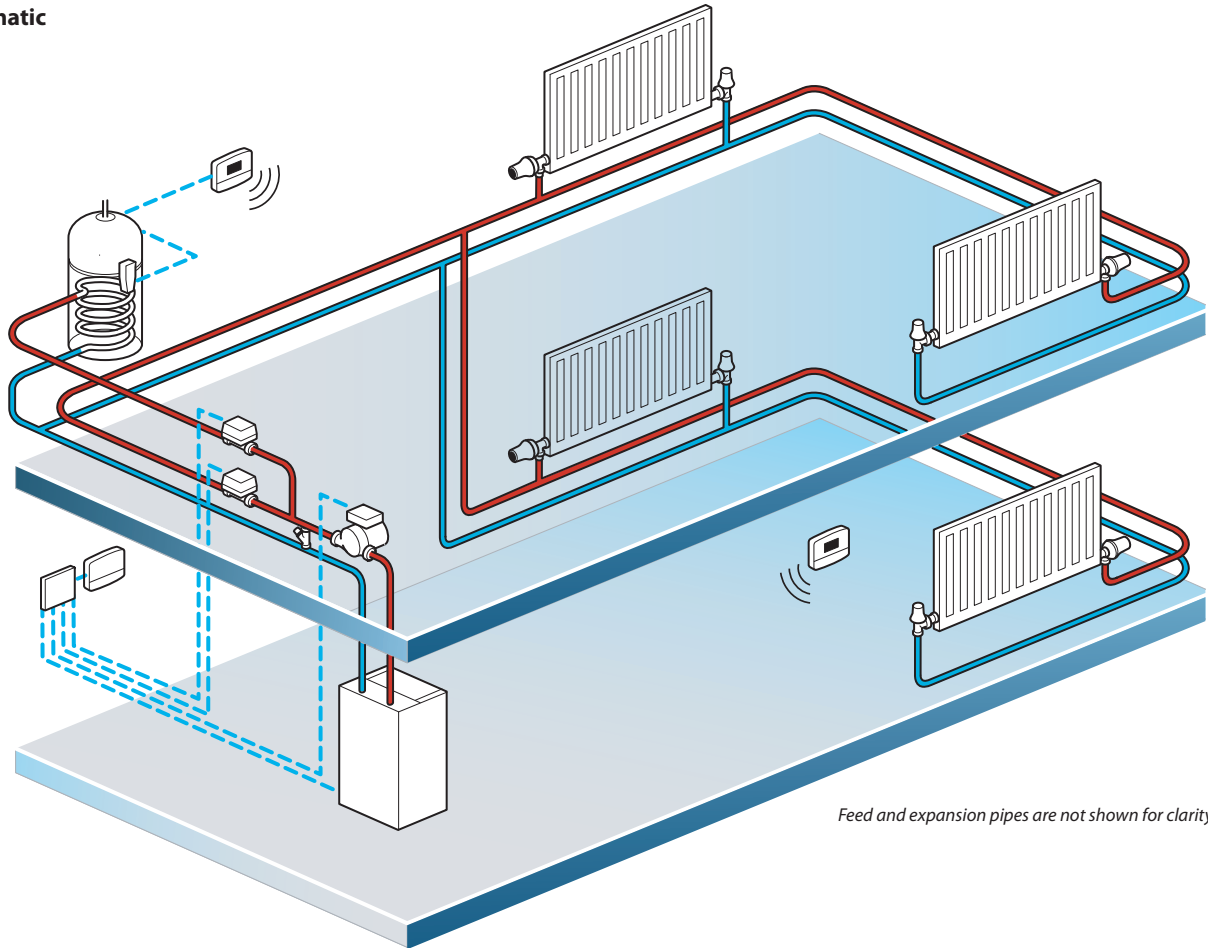


**2 Port
Motorised Valve**

2 Port Valve Pack: Wireless Programmable Heating and Hot Water Thermostats						
Description ⁽¹⁾	Order No	Room Thermostat	Hot Water Thermostat	Receiver	Wiring Centre	2 Port Zone Valves ⁽²⁾
Pack with 7 day programming options	087N742100	TP7000-RF	WP75-RF	RX2C	WC4B	No Valves
Pack with 7 day programming options	087N742300	TP7000-RF	WP75-RF	RX2C	WC4B	2 x HP22
Pack with 5/2 day programming options	087N742500	TP5000Si-RF	WP75-RF	RX2C	WC4B	2 x HP22

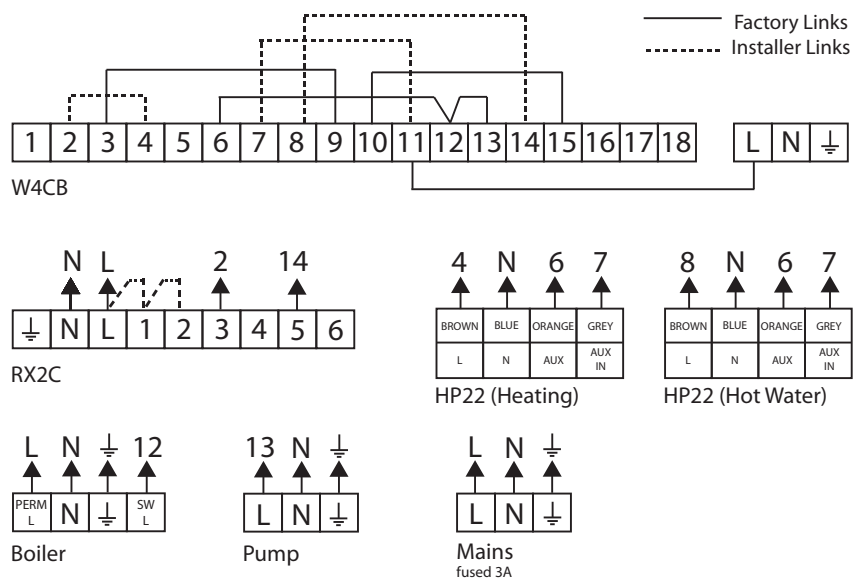
(1) For a description of the individual products please refer to pages 8-13
 (2) All valves are 22mm size

Schematic



Feed and expansion pipes are not shown for clarity.

Wiring Diagram



RX Channel Assignment

Channel 1	Heating	Channel 2	Hot Water
------------------	---------	------------------	-----------

2 Port Valve Systems With 2 channel programmer, wireless room and hot w



RET B-RF Dial Setting Room Thermostat



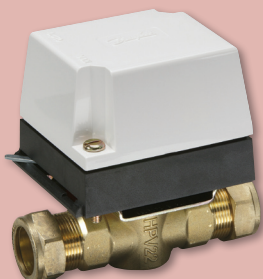
FP715Si Programmer



RX1 Receiver



WC4B Wiring Centre



2 Port Motorised Valve

Application

In line with the Building Regulations, a control system must provide time and temperature control of both heating and hot-water services. In addition a boiler interlock must be provided to turn off the boiler when no heat demand is present. Traditionally this has been achieved using a conventional programmer, room thermostat and cylinder thermostat, hard-wired to motorised zone valves. If an un-vented hot water storage vessel is installed, the motorised valve controlling the flow of water to the primary of the unit is supplied as part of the un-vented unit package and must be mounted in accordance with the manufacturers recommendations. The hot water thermostat is also integrated into the unit.

Space Heating Controls

Where the customer wishes to retain a conventional programmer and dial-setting thermostats, as opposed to a programmable thermostat, temperature control of heating is achieved using a wireless dial setting thermostat, type RET B-RF. The room thermostat communicates with the heating channel of an RX1 wireless receiver. Time control of the heating is provided by the heating channel of a conventional hard-wired FP715Si programmer mounted adjacent to the receiver unit. Together the RX1 and the FP715Si control the heating zone valve that in turn provides the boiler interlock.

Hot Water Controls

Temperature control is provided by the un-vented hot water vessel's built-in thermostat. Time control of the hot water is provided by the hot water channel of the conventional hard-wired FP715Si 2-channel programmer.

Together the built-in thermostat and the FP715Si control the hot water zone valve that is supplied as part of the unit. This in turn provides the boiler interlock. Wiring is required between the un-vented hot water unit and the programmer.

Pack Contents

The pack for this application includes an RET B-RF wireless dial setting room thermostat, an RX1 wireless receiver, an FP715Si hard-wired programmer, one 22mm two-port zone valve and a WC4B wiring centre.

Installation Advice

Care must be taken to ensure that there are no large metal objects, such as domestic appliances or indeed the boiler case, sitting in the line between the thermostats and the receiver as these may block the wireless transmission from the thermostats.

It is a sensible precaution to install the receiver, pair it to the thermostat and test that the thermostat can communicate to the receiver from the intended installation location before fixing the thermostat to the wall.

If communication is not possible, adjust the thermostat location until communication is established.

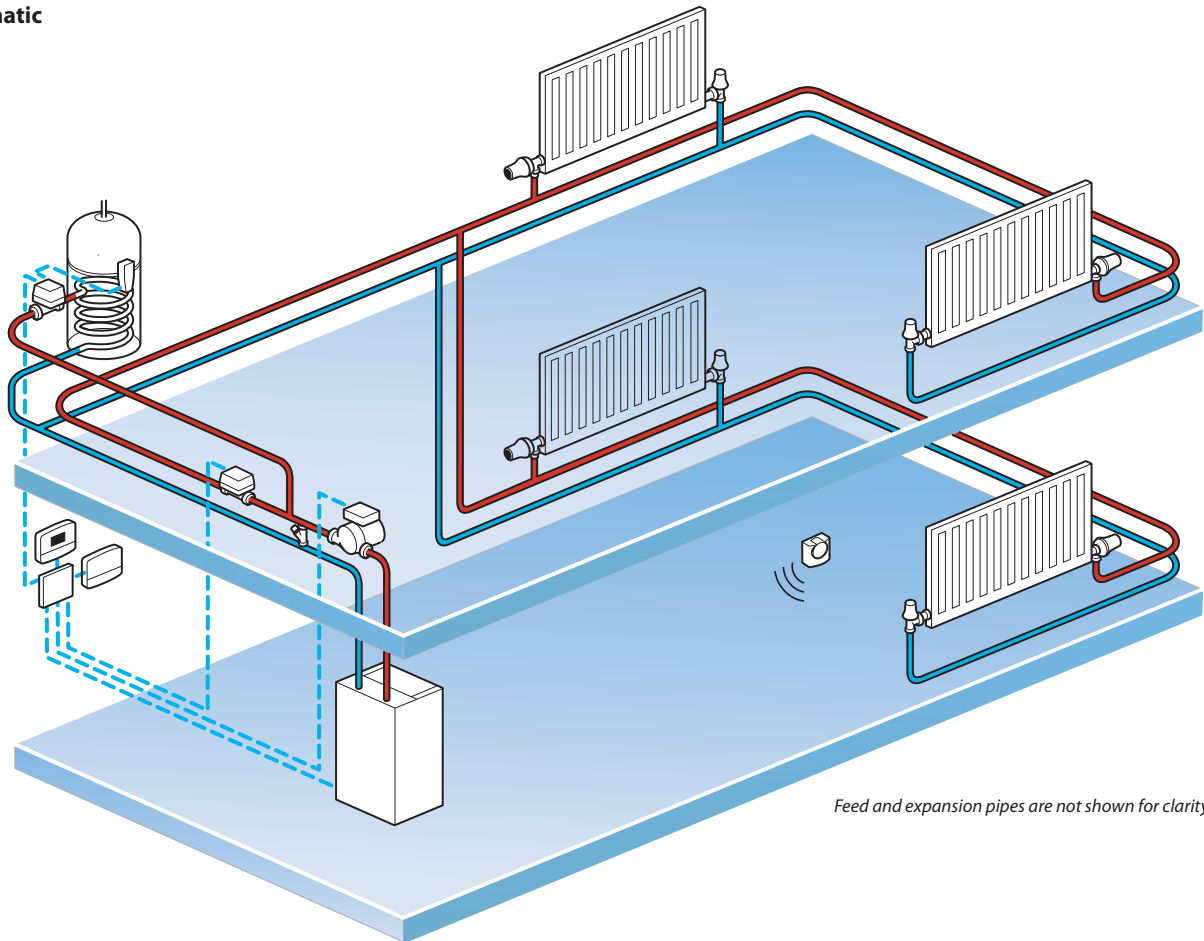
Important Note: Thermostats and receivers listed on this page are not factory paired.

A detailed write-up of the 'pairing' process is given on page 27, 28 and 29 of this catalogue.

2 Port Valve Pack: Wireless Dial-setting Room and Hot Water Thermostats with Hard-wired Programmer							
Description ⁽¹⁾	Order No	Room Thermostat	Hot Water Thermostat	Receiver	Wiring Centre	2 Port Zone Valve ⁽²⁾⁽³⁾	Programmer
Pack with 24 hour, 5/2 day or 7 day programming options	087N6500V5	RET B-RF	(3)	RX1	WC4B	1 x HP22	FP715Si
<p>(1) For a description of the individual products please refer to pages 8-13 (2) Heating valve is 22mm (3) 2 Port valve and cylinder thermostat on unvented HW cylinder are part of unvented package and not included in the Controls Pack</p>							

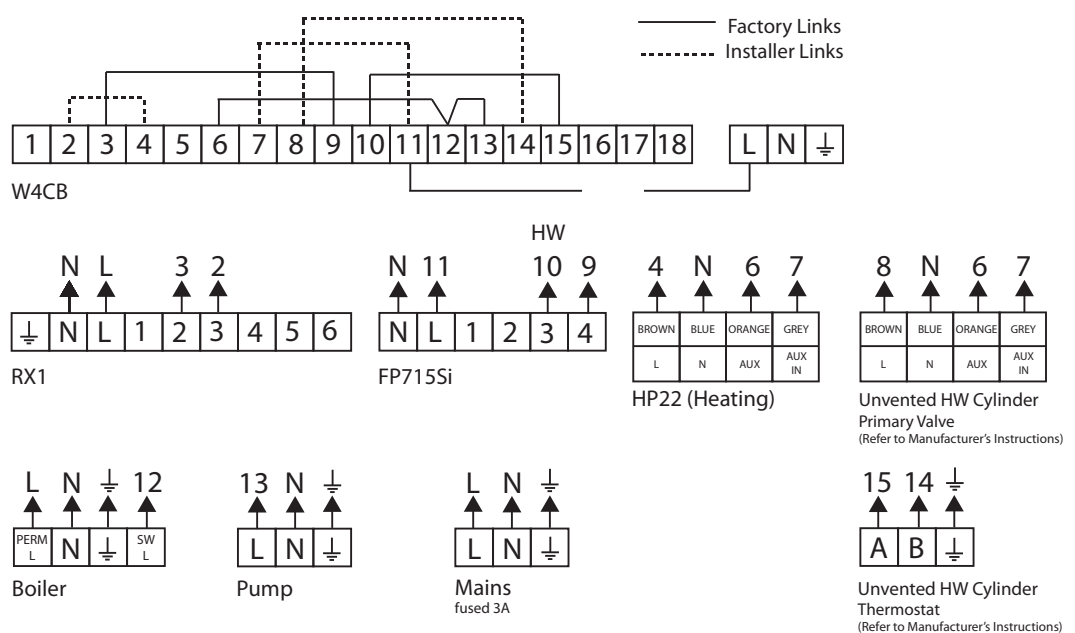
Water thermostats for unvented hot water systems

Schematic



Feed and expansion pipes are not shown for clarity.

Wiring Diagram

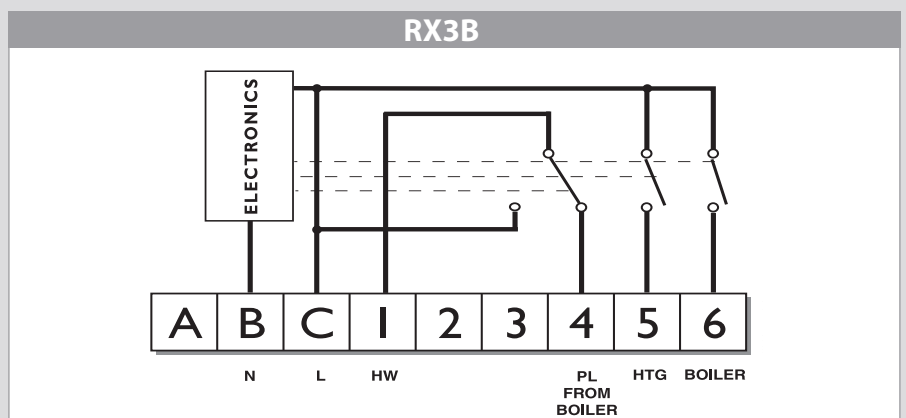
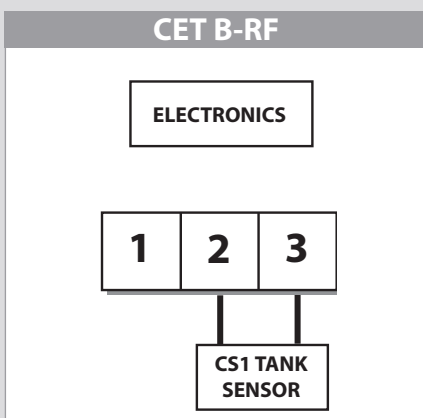
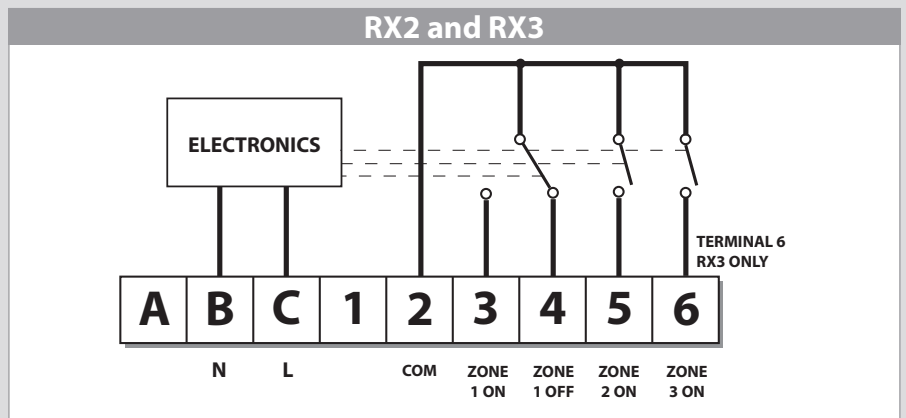
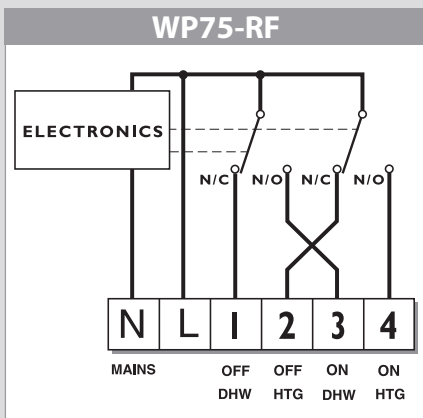
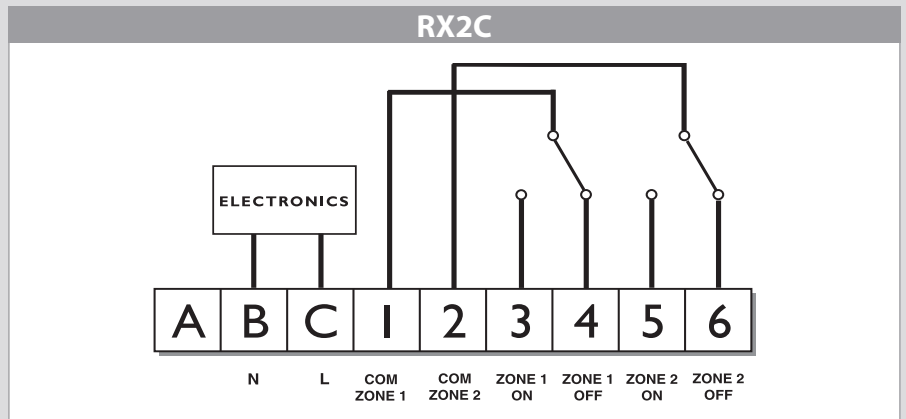
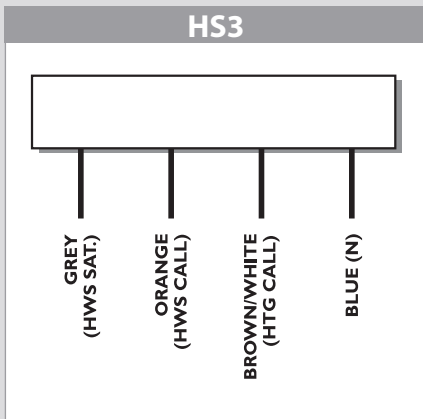
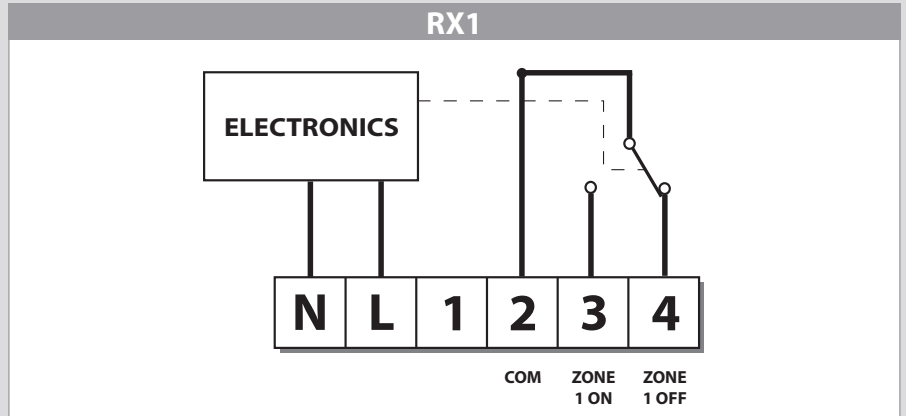
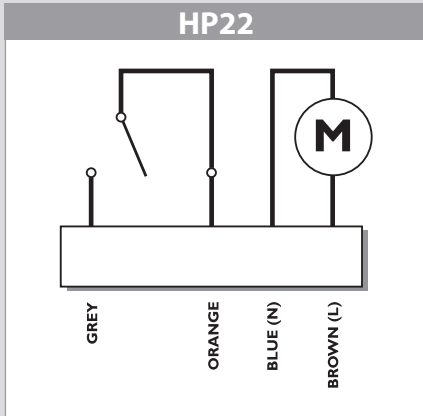


RX Channel Assignment

Channel 1

Heating

Additional Information Wiring Diagrams



Additional Information

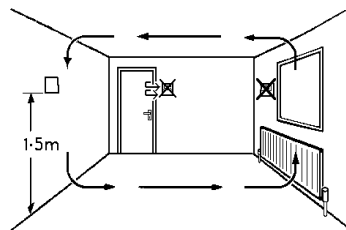
General Advice

Room Thermostats

Room thermostats should be mounted in a typical room, often referred to as the reference room. It should be remembered that in a normal single zone heating system that the room thermostat will shut-off the whole of the heating system when it is satisfied. Locations with secondary heat sources such as gas fires should be avoided if reasonable whole house comfort levels are to be maintained.

Having chosen the room for the thermostat, ensure that the thermostat is not located on a cold outside wall or in a position where it might be unduly affected by draughts or by heat gain from electrical appliances or any other heat source including the sun.

Thermostats should normally be mounted at a height of about 1.5 metres above the floor. However, if the building occupants are for example wheelchair bound, then the thermostat height should be adjusted to sitting height.



Location of Wireless Room Thermostats

Generally the same rules highlighted above apply, however, additional care needs to be taken to ensure that the wireless room thermostat is able to communicate with its receiver module.

The line of sight range of Danfoss wireless thermostats is in excess of 30m, however, this range is reduced by the number of walls, floors and ceilings that the low power transmissions have to pass through before arriving at the receiver unit. It is not possible to put a figure on the range reduction per wall etc, as this will depend entirely on the construction of the wall. For example a partition wall will offer significantly less resistance to radio energy than would a reinforced concrete structure with steel reinforcement. Other large metal objects such as a fridge and boiler cases can also impede the reception if they sit between the thermostat and the receiver unit.

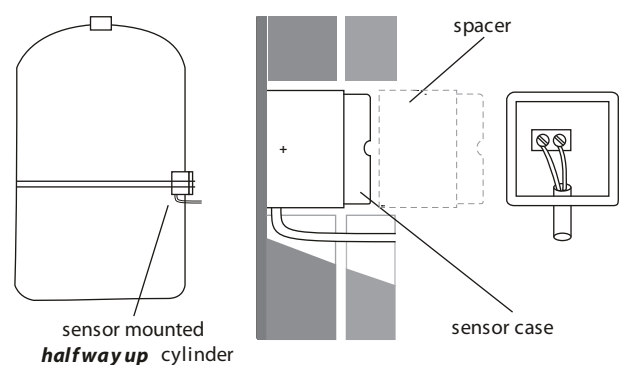


Hot Water Thermostats

All Danfoss wireless hot water thermostats comprise a wall mounting setting unit that includes the wireless transmitter and battery power supply, plus a remote surface mounting sensor that is supplied with a clamping band to attach it to the cylinder wall.

Sensor Unit

The location of this remote sensor should follow the same rules as for a standard electric thermostat, in other words about **half way up** the cylinder wall. Insulation material should be carefully removed and the cylinder wall cleaned. The heat conducting paste supplied with the thermostat should be applied to the cylinder wall. A two-core flexible cable should be wired into the remote sensor and the sensor fixed to the cylinder wall using the clamping spring provided. Wiring from the sensor must be terminated in the wall plate of the setting unit.



For insulation thicker than 25mm (and up to 55mm) use the extra cover supplied as a spacer to ensure that the sensor is held in firm contact with the cylinder wall.

Setting Unit

The setting unit should be fixed to the wall adjacent to the cylinder, care should be taken to ensure that the cylinder does not sit in the line between the setting unit location and the RX receiver unit as it will most likely block the wireless transmissions.

Please note that the hot water thermostat is battery powered and does not require an external electrical supply.

Receiver Options

All boxed sets come complete with the appropriate receiver. If additional zones are required purchase thermostats as loose items and select a receiver unit with the appropriate number of channels from the data table shown on pages 6-7. All Controls Packs include a receiver unit appropriate to the pack application. Please note that the RX3B receiver is a special 2-channel receiver with a common heat demand relay.



Additional Information

Installation Tips

Good Practice Advice

To avoid the potential for communication problems as a result of range, obstructions or large metal objects the following steps should be followed:

- Before mounting the RX receiver unit ensure that the boiler case or other large domestic appliances do not sit in line between it and the proposed thermostat positions.
- The receiver should be mounted and wired to the valve(s) or boiler that it is intended to control.
- The thermostats should be paired to the receiver channel sold as loose components and in control packs that they are intended to communicate to (please refer to the section below on 'thermostat pairing'). This process should be carried out with the thermostats being held in the hand adjacent to the RX receiver unit.
- Once paired the thermostat's ability to communicate with the receiver should be tested whilst standing adjacent to the receiver. This can be done by increasing the thermostat set point to simulate a heat demand and by reducing the set point to simulate a satisfied demand. On a heat demand the appropriate channel of the receiver should switch on. A satisfied demand should switch the channel off.
- Having established that the 'thermostat pairing' has been correctly carried out, the thermostat should be taken to it's intended installation position and the above test repeated. If communication is successful, the thermostat/setting unit can now be mounted to the wall.

Thermostat Pairing

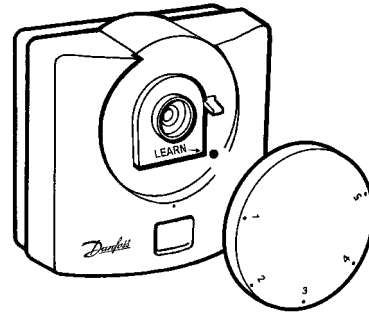
(Loose thermostats and control packs only)

All Danfoss wireless thermostats are assigned a unique number during manufacturing. This number is used in the packet of information transmitted by the thermostat and identifies the thermostat that is transmitting. Receivers and thermostats have to be paired on site as part of the commissioning process; this process writes the thermostat unique ID number into the receiver memory which is retained even if power is removed. Until a receiver is paired to a thermostat it will not react to any incoming signal. Once paired it will only react to the signal transmitted by the thermostat having the same unique ID number held in the receiver memory. This prevents neighbouring thermostats or other wireless devices on the same frequency from activating the receiver.

Pairing RET B-RF and CET B-RF

The following procedure should be followed to pair these products to RX receivers:

Turn the dial clockwise to the maximum setting and remove the setting dial.

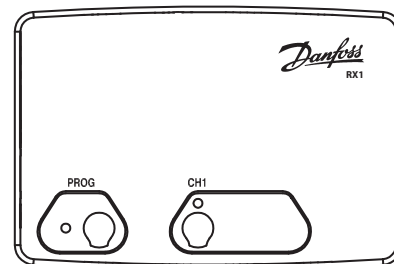


Do not refit the dial until after the pairing process has been completed.

This is important as any movement of the thermostat setting spindle cancels the "Learn" transmission.

Press the "Learn" button. This will force the thermostat to transmit it's ID code for five minutes.

Move to the RX receiver and press the channel button of the channel to which you wish to assign the thermostat. Then press the PROGRAMME button on the RX receiver.



Important: the convention is to use channel 1 for heating and channel 2 for hot water. All wiring diagrams are based on this convention.

The green LED adjacent to the PROG button will flash to confirm that the channel has been assigned as requested.

The pairing process for this thermostat is now complete and the setting dial can be refitted in the maximum position and adjusted to the required set-point.

If the installation has more than one wireless thermostat it is important to ensure that the "Learn" transmission of the thermostat that has just been paired to it's receiver is cancelled before moving on to "Pair" the next thermostat and receiver or receiver channel. To cancel a "Learn" transmission simply move the thermostat setting dial until the LCD display changes.

Pairing the RT51-RF, TP5000Si-RF, TP7000-RF and WP75-RF

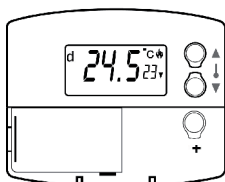
The following procedure should be followed to pair these products to RX receivers:

Drop the setting cover to reveal the programming buttons.

Press the following buttons to force the thermostat into 'learn' mode.

RT51-RF

+ button and ▼



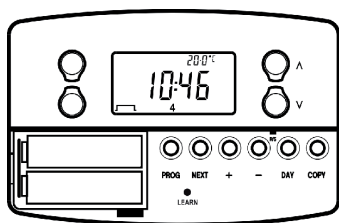
TP5000Si-RF

+ button and ▼



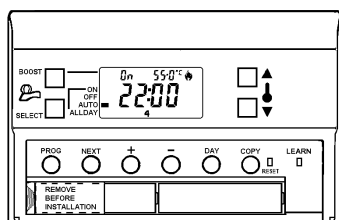
TP7000-RF

'Learn' button

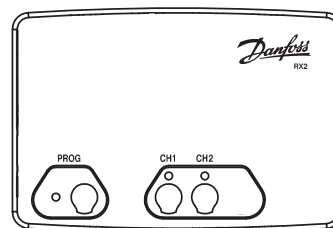


WP75-RF

'Learn' button



Do not touch any other buttons on the thermostat until advised to do so as this will cancel the 'Learn' transmission from the thermostat.



Move to the RX receiver and press the channel button of the channel to which you wish to assign the thermostat. Then press the **PROGRAMME** button on the RX receiver.

Important: the convention is to use channel 1 for heating and channel 2 for hot water. All wiring diagrams are based on this convention.

The green LED adjacent to the **PROGRAMME** button will flash to confirm that the channel has been assigned as requested.

Press either the ▲ or ▼ button on the thermostat, this returns the thermostat to normal operation.

The 'pairing' process is now complete for this thermostat.

If the installation has more than one wireless thermostat it is important to ensure that the "Learn" transmission of the thermostat that has just been paired to its receiver is cancelled before moving on to "Pair" the next thermostat and receiver or receiver channel. To cancel a "Learn" transmission simply press either ▲ or ▼ buttons on the thermostat.



Literature Service Order Form

Product Range	Type	Part No.	Quantity
Domestic Product Selection Guide	Catalogue	028	
Wireless Control Packs	Catalogue	662	
Underfloor Heating Product & System Guide	Catalogue	438	
RA2000 Commercial Radiator Thermostats	Catalogue	410	
Commercial Product Selection Guide	Catalogue	026	
Radiator Thermostats			
RAS-C ² Revolver Radiator Thermostats, incl. push-fit versions	Sales Leaflet*	250	
RAS-D ² Domestic Revolver Radiator Thermostats, incl. push-fit versions	Sales Leaflet*	336	
RA2000 Commercial Radiator Sensors	Datasheet	VDVBE122	
RA-FN and RA-G Commercial Valve Bodies	Datasheet	VD51Q102	
RA-N Commercial Valve Bodies	Datasheet	VD51G802	
RLV-D Domestic Lockshield Valves, including push-fit versions	Datasheet	VD35E202	
RLV Commercial Lockshield Valves	Datasheet	VD35D102	
H Pieces and Sensors	Datasheet	VD35C102	
Bathroom Solutions - RA-URX Towel Rail	Sales Leaflet	580	
Bathroom Solutions - RA-URX Towel Rail	Datasheet	VDUVV202	
Replacement Sensors RA-V & RA-VL	Datasheet	VDULY102	
Time Controls			
MK18 Time Controls - TS715 Si, CP715 Si & FP715 Si	Sales Leaflet	334	
MK18 Time Controls, Compatibility Guide	Sales Leaflet	196	
FP975 Replacement Time Controls	Datasheet	208	
GP Time Controls - 102, 102E7, 103 & 103E7	Sales Leaflet	582	
Set Range - SET1E, SET2E, SET3E & SET3M	Sales Leaflet	188	
MK3 Programmers - 3020P, 3060 & 4033	Datasheet	040	
Commercial Time Controls - MK8	Sales Leaflet	606	
Electric Thermostats			
RT51 and RT51-RF Digital Thermostats	Sales Leaflet*	144	
TP4000 Programmable Room Thermostats	Sales Leaflet*	238	
TP5000 Si Programmable Room Thermostats	Sales Leaflet*	296	
TP7000 Programmable Room Thermostats	Sales Leaflet*	594	
HC6000 Heat/Cool Thermostats	Sales Leaflet*	596	
TP9000 Programmable Thermostat with Hot Water Time Control	Sales Leaflet*	692	
WP75RF Programmable Hot Water Thermostat	Sales Leaflet*	282	
RMT/RET Room Thermostats	Sales Leaflet*	584	
RET230 Electronic Room Thermostats with Function Switches	Sales Leaflet*	592	
RET230 HC and HCW Heat/Cool Thermostats	Datasheet	660	
RET B Battery Room Thermostats plus RF versions	Sales Leaflet*	588	
RET-MD and RET-M Room Thermostats	Sales Leaflet*	590	
RET230P Electronic Room Thermostat	Datasheet	752	
FlatStat Flush Mount Thermostat	Sales Leaflet*	720	
ORT Modulating Thermostats	Sales Leaflet*	150	
Cylinder, Pipe & Frost Thermostats - ATC, ATP, ATF and RET230F	Datasheet	374	
Immersion Thermostats - ITC, ITL and ITD	Datasheet	374	
Underfloor Heating Controls			
Underfloor Heating Product and System Guide	Catalogue	438	
DeviMat Electric Underfloor Warming	Sales Leaflet*	628	
DeviDry Electric Underfloor Warming	Sales Leaflet	812	
DeviLink and DeviReg Thermostat Range	Sales Leaflet	884	
DeviClear, DeviFoil and DeviRail	Sales Leaflet	894	
CF2 2-Way Wireless Floor Heating Control System	Sales Leaflet*	882	
FH-WC Hard Wired Zone Control	Datasheet	620	
FH-BU Wireless Zone Control	Datasheet	622	
FHV Valves for Underfloor Heating	Sales Leaflet*	476	
FHF-F Floor Heating Manifold	Datasheet	VDUDO112	
Motorised Valves and Other Controls			
Control Packs	Sales Leaflet*	120	
Wiring Centre WC4B	Instructions	39917	
Wireless Controls Packs WP75-RF	Datasheet	408	
H Series Motorised Valves	Sales Leaflet*	192	
Domestic Bypass Valves AVDO	Datasheet	062	
Domestic Bypass Valves ARV22	Datasheet	380	
Thermal Actuators TWA	Datasheet	VDSAP112	
AB-QM Balancing Valves	Datasheet	VDA2W712	
AB-QM Balancing Valves	Sales Leaflet	VBA2Z102	
Thermostatic Cylinder Controls RAVI	Datasheet	240	
Climate Control Range - FEK, FEV and FED	Catalogue	346	

Ordering Literature

To obtain copies of individual product sales leaflets and datasheets please photocopy this page and complete your personal details and the literature quantities you require and fax this form to

UK 0845 1217 513
Ireland 1800 930 242

Company Name: _____

Address _____

Postcode _____

Contact Name _____

Datasheets

* Denotes that datasheets are also available. Please use the space below to indicate which datasheet you would like to order.

Datasheet	Quantity



Warranty and Returns Policy

Danfoss offers a no quibble two year warranty from date of manufacture on all products with the exception of DeviMat and cables which carry a 10 year warranty and DeviDry which has a 5 year warranty.

Whatever the nature of the fault or defect, i.e. manufacturing or installer, Danfoss will give a full credit for the product on a one-for-one basis.

All 'in warranty' returns are fully tested to original manufacturing specification. Reports are available within 10 working days.

The warranty expiry details are clearly marked on all products. This warranty does not cover the associated costs of replacing the product in the field with the exception of for DeviMats and DeviCable.

Customer Returns Procedure:

- Customer requests a RMA number from Customer Services - Tel: 0845 1217 502
- Customer confirms details in writing to Customer Services and returns products to Danfoss Randall Ltd, Ampthill Road, Bedford MK42 9ER
- Products are checked and allocated individual identification.
- All products within warranty are tested and reports are generated.

Full details on the warranty and returns policy are available on request.

No Quibble

Returns Policy

on all products in the range.



Danfoss Randall Ltd

Ampthill Road, Bedford, MK42 9ER
Tel: 0845 1217 400
Fax: 0845 1217 515
Email: danfosrandall@danfoss.com
Website: www.danfoss-randall.co.uk

Danfoss can accept no responsibility for possible errors in catalogues, brochures, and other printed material. Danfoss reserves the right to alter its products without notice. This also applies to products already on order provided that such alterations can be made without subsequent changes being necessary in specifications already agreed. All trademarks in this material are property of the respective companies. Danfoss and the Danfoss logotype are trademarks of Danfoss A/S. All rights reserved.