

Our policy is one of continual improvement in design and development, therefore strict accuracy of illustrations and descriptions cannot be guaranteed.

Cannon



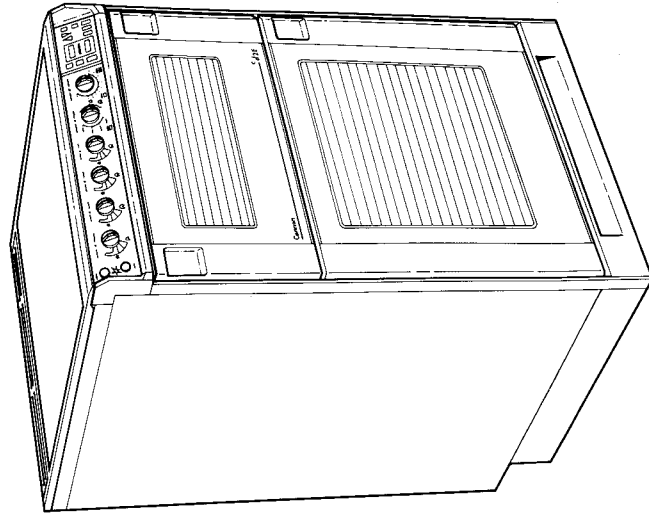
Cannon

THE FIRST NAME IN GAS

Cannon Industries Limited
Gough Road, Coseley, Bilston
West Midlands WV14 8XR

PRINTED BY SIMLEX · WOLVERHAMPTON & STOKE-ON-TRENT

CD2E



Installation and Maintenance Instructions

Data Badge is located below oven base, serial number reference is also located on frame behind lower oven door.

G.C. Appliance Nos. 11 132 29 White
11 132 30 Brown

A Natural Gas Appliance

Leave these instructions with the User.

Part No. 25337

Issue 4

CANNON CD2E INSTALLATION INSTRUCTIONS

This appliance has been tested to British Standards.

This cooker has been built to burn NATURAL GAS ONLY and cannot be used on any other gas.

The installation must be in accordance with the current I.E.E. regulations.

GAS SAFETY (INSTALLATION & USE) REGULATIONS 1984

It is the law that all gas appliances are installed by competent persons in accordance with the above regulations. Failure to install appliances correctly could invalidate the warranty, liability claims and could lead to prosecution. It is in your own interest, and that of safety, to ensure that the law is complied with.

Detailed recommendations are contained in the following British Standard Codes of Practice: BS6891: 1988, BS6172: 1982 and BS5440: Pt 2 1976.

In the U.K., CORGI registered installers work to safe standards of practice.

LOCATION

The cooker may be located in a kitchen, kitchen/diner or a bed-sitting room, but not in a room containing a bath or shower.

PROVISION FOR VENTILATION

The room containing the cooker should have an air supply in accordance with BS5440: Part 2: 1976.

All rooms require a openable window or equivalent, while some rooms require a permanent vent in addition to the openable window. The cooker should not be installed in a bed-sitting room of less than 21m³, and furthermore should not be installed in any room of volume less than 6m³, if it is installed in a room of volume between 6m³ and 9m³ an air vent of effective area 65cm² is required; if it is installed in a room of volume between 9m³ and 11m³, an air vent of effective area 35cm² is required, while if the room volume exceeds 11m³ no air vent is required. However if the room has a door that opens directly to outside, no air vent is required, even when the room volume is between 6m³ and 11m³.

If there are other fuel burning appliances in the same room, BS5440: Part 2: 1976 should be consulted to determine the air vent requirements.

If the cooker is installed in a cellar or basement, it is advisable to provide an air vent of effective area 65cm², irrespective of the room volume.

DIMENSIONS

Height	900mm	Width	595mm	Depth	603mm
--------	-------	-------	-------	-------	-------

CANNON CD2E - BROWN

SHORT SPARES LIST

Key No.	G.C. No.	Part No.	Description	Qty.
31	043 448	23090	Upper Oven Door Handle, L.H.	1
32	043 424	23091	Upper Oven Door Handle, R.H.	1
33	043 480	24946	Upper Door Glass Panel	1
34	043 419	23149	Door Glass Trim	4
35	043 348	23816	Upper Door Inner Panel	1
36	043 032	22654	Large Oven Inner Door	1
37	042 473	20478	Handle Backing Plate	1
38	042 472	20477	Handle Grip	1
39	043 417	23127	Lower Oven Door Handle	1
40	043 418	23128	Lower Oven Door Panel	1
41	043 421	23041	Lower Door Glass Panel	1
42	043 335	24256	Lower Door Inner Panel	1
43	043 315	24045	Upper Oven Door Seal	1
44	043 314	24044	Lower Oven Door Seal	1
45	386 844	24129	Lower Oven Light Switch	1
46	043 404	24035	Food Probe Socket	2
47	043 405	23807	Food Probe	1
48	044 062	29246	Oven Light Bulb	1
49	043 308	23753	Plinth Front Panel	1
50	384 810	14664	Grill Electrode	1
51	398 472	11745	Oven Electrode	1
52	386 846	24357	Upper Oven F.S.D./Solenoid	1
53	382 521	13763	Spark Generator	1
54	381 921	20829	Starter	1
55	381 922	20632	Choke	1
56	043 292	24089	Grill Flap Control Lever	1
57	043 291	24090	Bezel	1
58	043 293	24092	Grill Flap Seal (Rear)	1
59	043 294	24182	Grill Flap Seal (Front)	1
60	397 838	24976	Oven Fan	1
61	397 837	24974	Element	1
62	397 836	24993	Relay	1

SHORT SPARES LIST

Key No.	G.C. No.	Part No.	Description	Qty.
1	043 438	24337	Glass Lid	1
2	043 478	24930	Hotplate Assembly	1
3	043 428	24031	Hotplate Side Trim, L.H.	1
4	043 429	24030	Hotplate Side Trim, R.H.	1
5	042 604	20134	Pan Support	4
6	042 600	21401	Burner Cap Assembly	4
7	042 402	17354	Burner Cap Disc	4
8	381 930	20443	Hotplate Electrode	4
9	043 415	23854	Side Panel	2
10	043 420	23857	Flue Grill	1
11	043 431	23792	Fascia Upper Trim	1
12	043 432	23035	Fascia Glass	1
13	386 848	24308	Timer	1
14	043 436	23842	Lower Fascia Trim	1
15	043 437	24310	Deflector Plate	1
16	043 811	28300	Fascia End Cap L.H.	1
17	043 812	28301	Fascia End Cap R.H.	1
18	042 593	20631	Flourescent Tube 8W	1
19	381 929	20535	Ignition Switch	1
20	381 928	20536	Fascia Panel Light Switch	1
21	042 586	20728	Switch Buttons	2
22	042 587	20444	Control Knobs	6
23	381 924	20411	Hotplate Tap	4
24	386 847	22897	Upper Oven/Grill Tap	1
25	397 820	24987	Thermostat	1
26	041 360	14215	'O' Ring Seal	5
27	043 365	23802	'O' Ring Seal	1
28	043 366	24097	Interlock Disc	1
29	043 412	24186	Vertical Side Trim, L.H.	1
30	043 413	24187	Vertical Side Trim, R.H.	1

GENERAL DATA

Pressure Setting
 Pressure Test Point
 Gas Rate Adjustment
 Aeration Adjustment
 Ignition
 Spark Gap (All Burners)

20 mbar
 Grill Injector
 Fixed
 Fixed
 Spark Generator
 Turnright GL319
 3mm - 4mm

HOTPLATE

Burners

4 Aluminium alloy die cast burner bodies and removeable aluminium alloy caps with vitreous enamelled disc inserts
 125
 2.9kW/burner
 100-230mm (4" - 9")
 Kigass B026A0000

Injector
 Heat Input
 Recommended Pan Size
 Electrode

UPPER OVEN/GRILL

Burner (Grill)

Burner (Oven)

Mixing tube and burner body formed from two steel pressings.
 Mixing tube and burner body formed from two steel pressings, multi hole flame strip

Injector (Grill)
 Injector (Oven)
 Heat Input (Grill)
 Heat Input (Oven)
 Electrode (Grill)
 Electrode (Oven)
 Flame Supervision Device (Oven)

150
 092
 3.45kW
 1.45kW
 BGC5
 BGC13
 FFDXED131N

LOWER OVEN

Heat Input
 Thermostat
 Fan

2.5kW
 Diamond H 47TH 500/FO
 Regesa

CONNECTIONS

Gas
 Electric

Rp 1/2 (1/2" BSP)
 Flexible cord at rear (right hand side)
 Heat resisting PVC 85°C, 1.5mm²
 30 strands 0.25mm dia. Outside dia.
 8.6 nominal. 240V 50Hz 13A fuse.

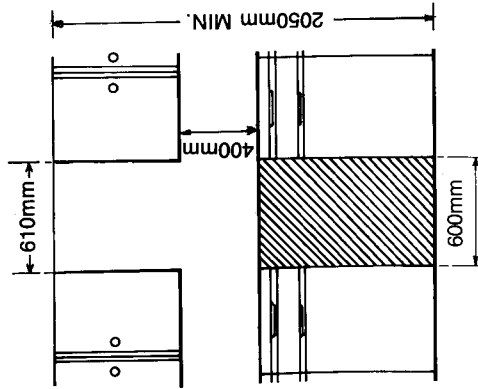
SPACE FOR FITTING

SPACE FOR FIXING

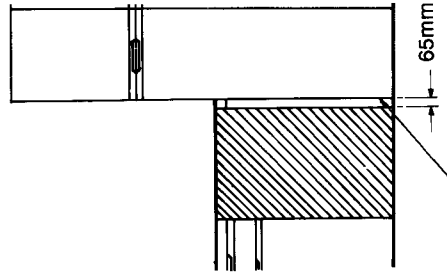
The appliance can be close fitted below hotplate level. This requires a minimum distance of 600mm between cupboard units of hotplate height.

Follow the diagrams below for guidance of fitting. Please take note of all dimensions.

INSTALLATION WITH WALL CUPBOARDS IN LINE WITH SIDES OF APPLIANCE

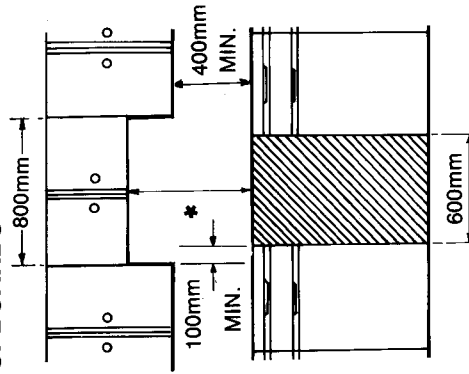


INSTALLATION ALONGSIDE TALL CUPBOARDS OR SIDEWALL



GAP CAN BE INFILLED BELOW HOTPLATE LEVEL

INSTALLATION USING BRIDGING CUPBOARDS



* 750mm For cupboards 300mm deep or less
900mm For cupboards or overhead surfaces deeper than 300mm.

CANNON CD2E - WHITE

SHORT SPARES LIST

Key No.	G.C. No.	Part No.	Description	Qty.
31	043 351	23088	Upper Oven Door Handle, L.H.	1
32	043 352	23089	Upper Oven Door Handle, R.H.	1
33	043 476	24945	Upper Door Glass Panel	1
34	043 342	23148	Door Glass Trim	4
35	043 348	23816	Upper Door Inner Panel	1
36	043 032	22654	Large Oven Inner Door	1
37	042 473	20478	Handle Backing Plate	1
38	042 472	20477	Handle Grip	1
39	043 340	23125	Lower Oven Door Handle	1
40	043 341	23126	Lower Oven Door Panel	1
41	043 343	23040	Lower Door Glass Panel	1
42	043 335	24256	Lower Door Inner Panel	1
43	043 315	24045	Upper Oven Door Seal	1
44	043 314	24044	Lower Oven Door Seal	1
45	386 844	24129	Lower Oven Light Switch	1
46	043 404	24035	Food Probe Socket	2
47	043 405	23807	Food Probe	1
48	044 062	29246	Oven Light Bulb	1
49	043 308	23753	Plinth Front Panel	1
50	384 810	14664	Grill Electrode	1
51	398 472	11745	Oven Electrode	1
52	386 846	24357	Upper Oven F.S.D./Solenoid	1
53	382 521	13763	Spark Generator	1
54	381 921	20829	Starter	1
55	381 922	20632	Choke	1
56	043 292	24089	Grill Flap Control Lever	1
57	043 291	24090	Bezel	1
58	043 293	24092	Grill Flap Seal (Rear)	1
59	043 294	24182	Grill Flap Seal (Front)	1
60	397 838	24976	Oven Fan	1
61	397 837	24974	Element	1
62	397 836	24993	Relay	1

CANNON CD2E - WHITE

SHORT SPARES LIST

Key No.	G.C. No.	Part No.	Description	Qty.
1	043 378	24336	Glass Lid	1
2	043 474	24929	Hotplate Assembly	1
3	043 356	24029	Hotplate Side Trim, L.H.	1
4	043 357	24028	Hotplate Side Trim, R.H.	1
5	042 722	21157	Pan Support	4
6	042 600	21401	Burner Cap Assembly	4
7	042 424	20998	Burner Cap Disc	4
8	381 930	20443	Hotplate Electrode	4
9	043 320	23853	Side Panel	2
10	043 301	23856	Flue Grill	1
11	043 368	23793	Fascia Upper Trim	1
12	043 475	24949	Fascia Glass	1
13	386 864	24307	Timer	1
14	043 375	23843	Lower Fascia Trim	1
15	043 376	24309	Deflector Plate	1
16	043 821	28298	Fascia End Cap L.H.	1
17	043 819	28299	Fascia End Cap R.H.	1
18	042 593	20631	Flourescent Tube 8W	1
19	381 929	20535	Ignition Switch	1
20	381 928	20536	Fascia Panel Light Switch	1
21	042 714	21147	Switch Buttons	2
22	042 715	21149	Control Knobs	6
23	381 924	20411	Hotplate Tap	4
24	386 847	22897	Upper Oven/Grill Tap	1
25	397 820	24987	Thermostat	1
26	041 360	14215	'O' Ring Seal	5
27	043 365	23802	'O' Ring Seal	1
28	043 366	24097	Interlock Disc	1
29	043 306	24184	Vertical Side Trim, L.H.	1
30	043 307	24185	Vertical Side Trim, R.H.	1

UNPACKING AND ASSEMBLY

UNPACK THE COOKER

Unpack the loose items and accessories listed below, from inside the cooker.

- Burner Caps (4)
- Pan Supports (4)
- Grill pan, Handle and Grid (1)
- Lower Oven Shelves (3)
- Upper Oven/Grill Shelf (1)
- Shelf Shield (1)
- Meat Probe (1)
- Meat Tin (1)
- Cake Tray (1)
- Support Feet (2)
- Literature Pack (1)

COOKER MOBILITY AND LEVELLING

Fit the two feet to the front of the cooker, remove plinth front panel (2 screws). Lift the front of the cooker and roll the appliance into position. Place a spirit level across the oven base and set the level by adjusting the front levelling feet and the rear wheels accordingly. The rear wheels are adjusted by means of the levelling screws 'A' (fig. 2). Refit plinth front panel.

Some soft floor coverings may sustain damage if appliance is not moved carefully.

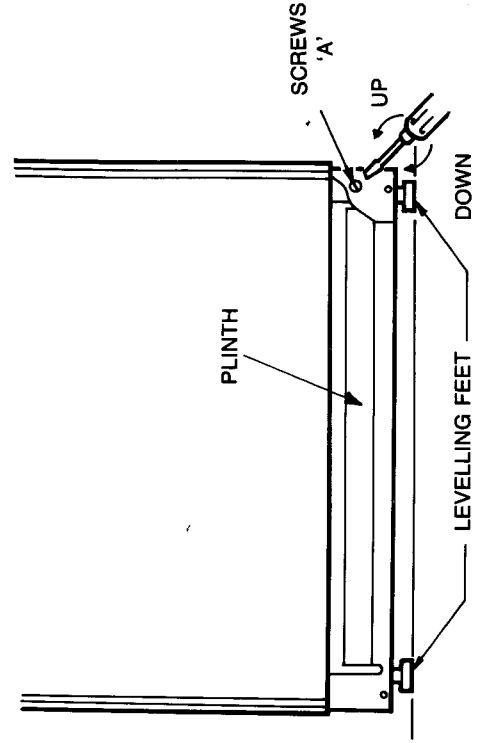
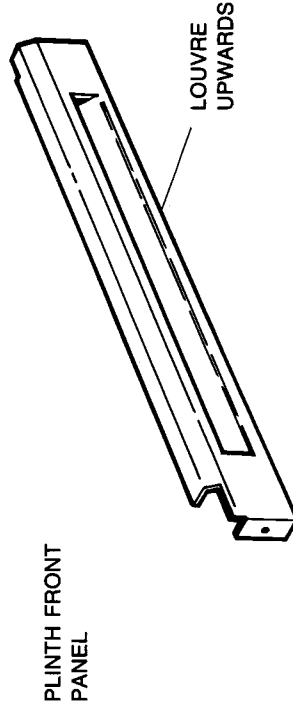


Fig. 2

UNPACKING AND ASSEMBLY

COOKER STABILITY BRACKET

It is recommended that a stability bracket is fitted. The back of the cooker has been designed to accept a bracket for this purpose. The stability bracket can be obtained, at extra cost, from the Appliance Supplier and the leaflet included with the bracket should read in conjunction with the following instructions.

Push the cooker in its intended position.

Draw pencil lines on the floor, one level with the plinth, (fig. 2) and one along the L.H. side of the cooker.

Remove the cooker.

Mark off dimensions 'F' and 'G' (fig. 3a) to locate centre and front edge of the lower bracket and secure to floor.

Measure height from floor level to the bottom of the slot in the back of the cooker, add 23mm to this dimension and assemble the stability bracket to this height (ie. from floor level to the underside of top member) (fig. 3b)

Fig. 3a

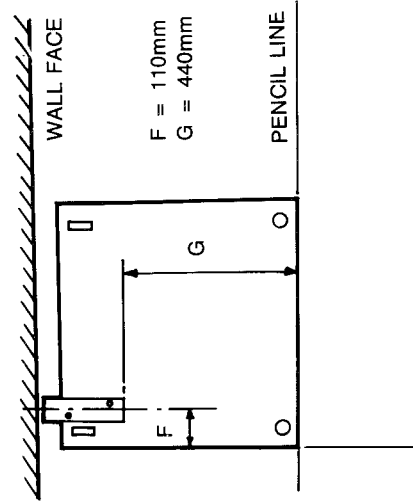
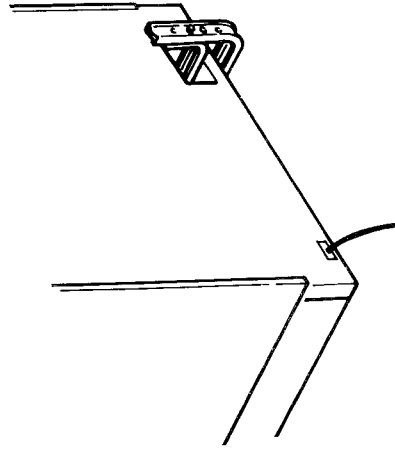
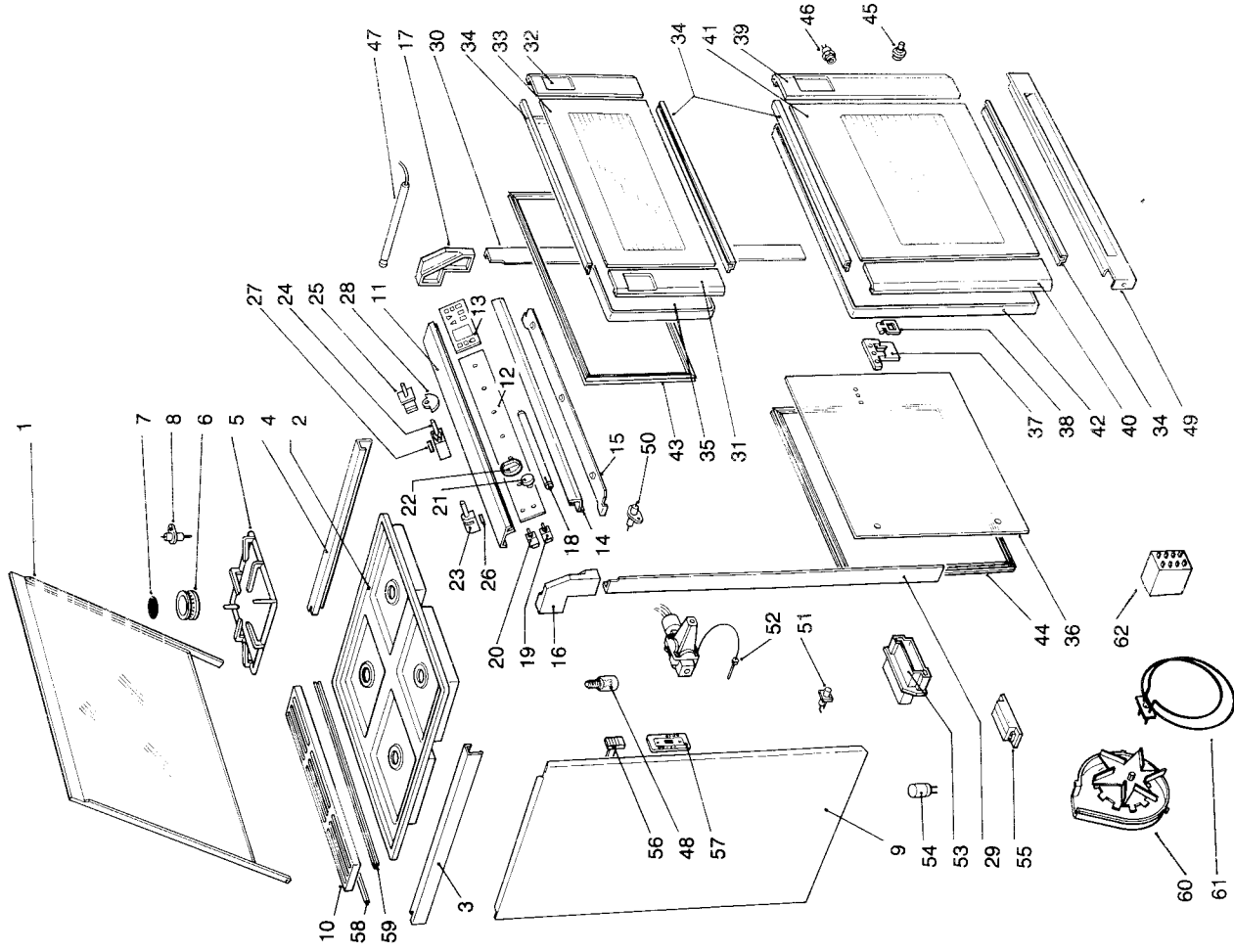


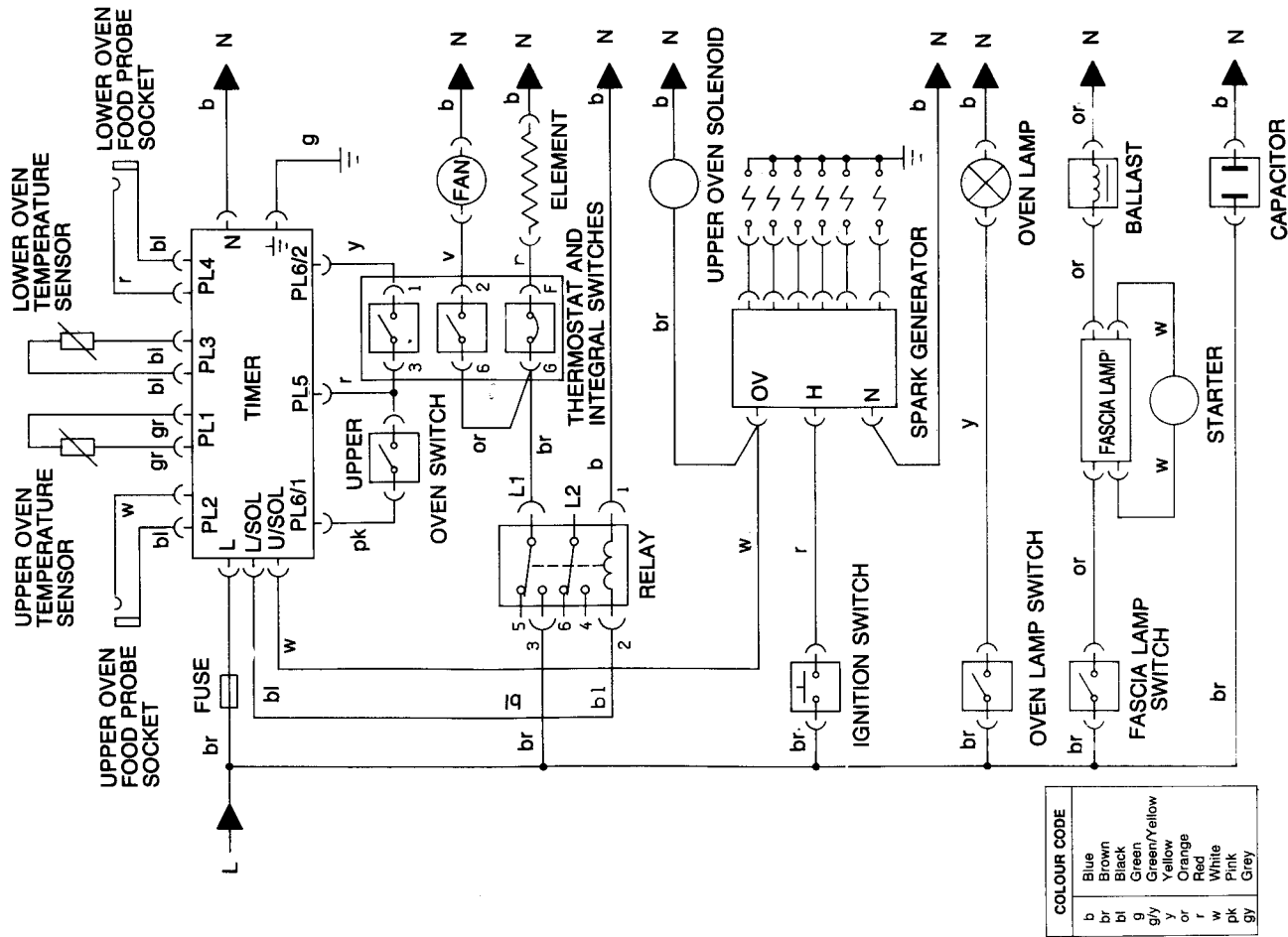
Fig. 3b



SHORT SPARES LIST



FUNCTIONAL FLOW DIAGRAM



GAS CONNECTION

CONNECTION TO GAS SUPPLY

Connection to the appliance should be made with an approved appliance flexible connection to BS669. A length of 1 to 1.25m is recommended.

This cooker is designed to match the depth of standard 600mm worktops. An adaptor backplate (fig. 4) should, therefore, be fitted within the shaded area (shown in Fig. 5) to allow the cooker to be pushed fully to the wall.

Fig. 4

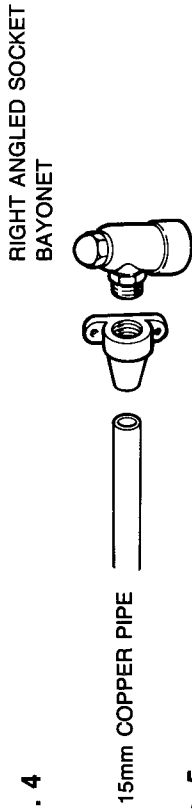
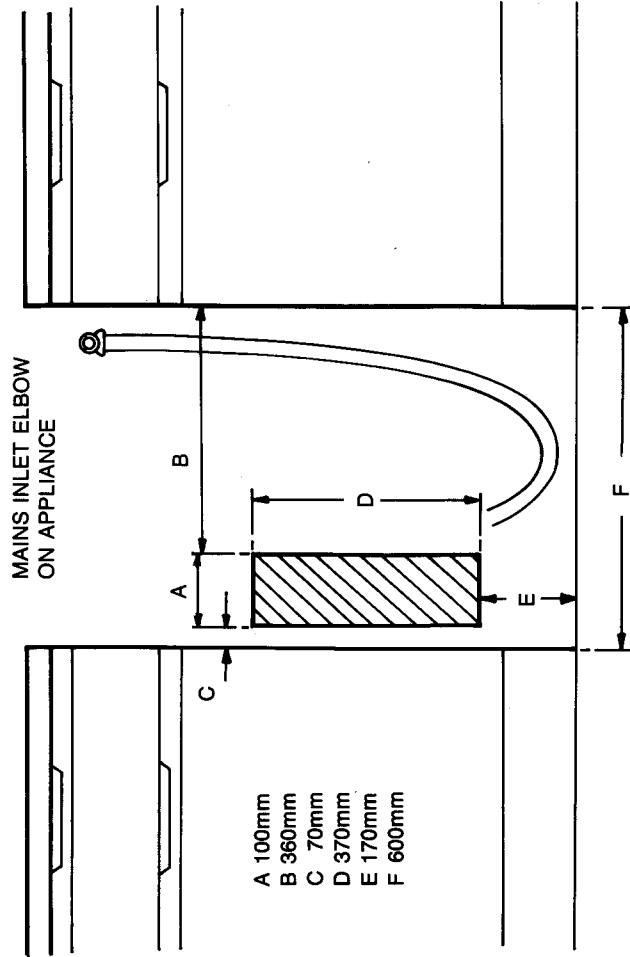


Fig. 5



The temperature of areas at the rear of the cooker which are likely to come in contact with the flexible hose do not exceed 70°C.

After installation check for soundness.

Gas pressure can be checked at the grill injector. See maintenance instructions for removal of grill burner.

ELECTRICAL CONNECTION

ELECTRICAL CONNECTION

Flexible cord at rear (right hand side). Heat resisting PVC 85°C, 1.5mm² (30 strands 0.25mm dia) 240V 50Hz 13A fuse. O/Dia 8.6mm nominal.

The installation must be in accordance with the current I.E.E. Regulations.

Fit a suitable 3-pin plug and ensure that the GREEN/YELLOW coloured core is connected to the earth pin marked with the letter 'E' or by the earth symbol or coloured Green. The Brown coloured core is connected to the pin marked with the letter 'L' or coloured RED (or to the fuse terminal if a fused plug is used). The Blue coloured core is connected to the pin marked 'N' or coloured Black.

NOTE: In houses having ring-main type distribution systems it is essential to use a plug fitted with a fuse cartridge of 13 amp rating.

The cooker should now be plugged into preferably an unswitched socket outlet which is properly connected to the house electricity distribution system and efficiently earthed.

CHECK OPERATION OF COOKER

Fit burner caps, pan supports, top oven/grill shelf, grill pan, handle and grid, lower oven shelves.

Check that the upper oven, grill and the four hotplate burners operate correctly. The hotplate burners should be checked for a steady flame when turned down to the smaller flame symbol marked on the fascia.

With the gas to the upper oven turned full on, the burner will ignite at a bypass low rate, but within 60 seconds should increase to full flame. The flame is observed with the door open.

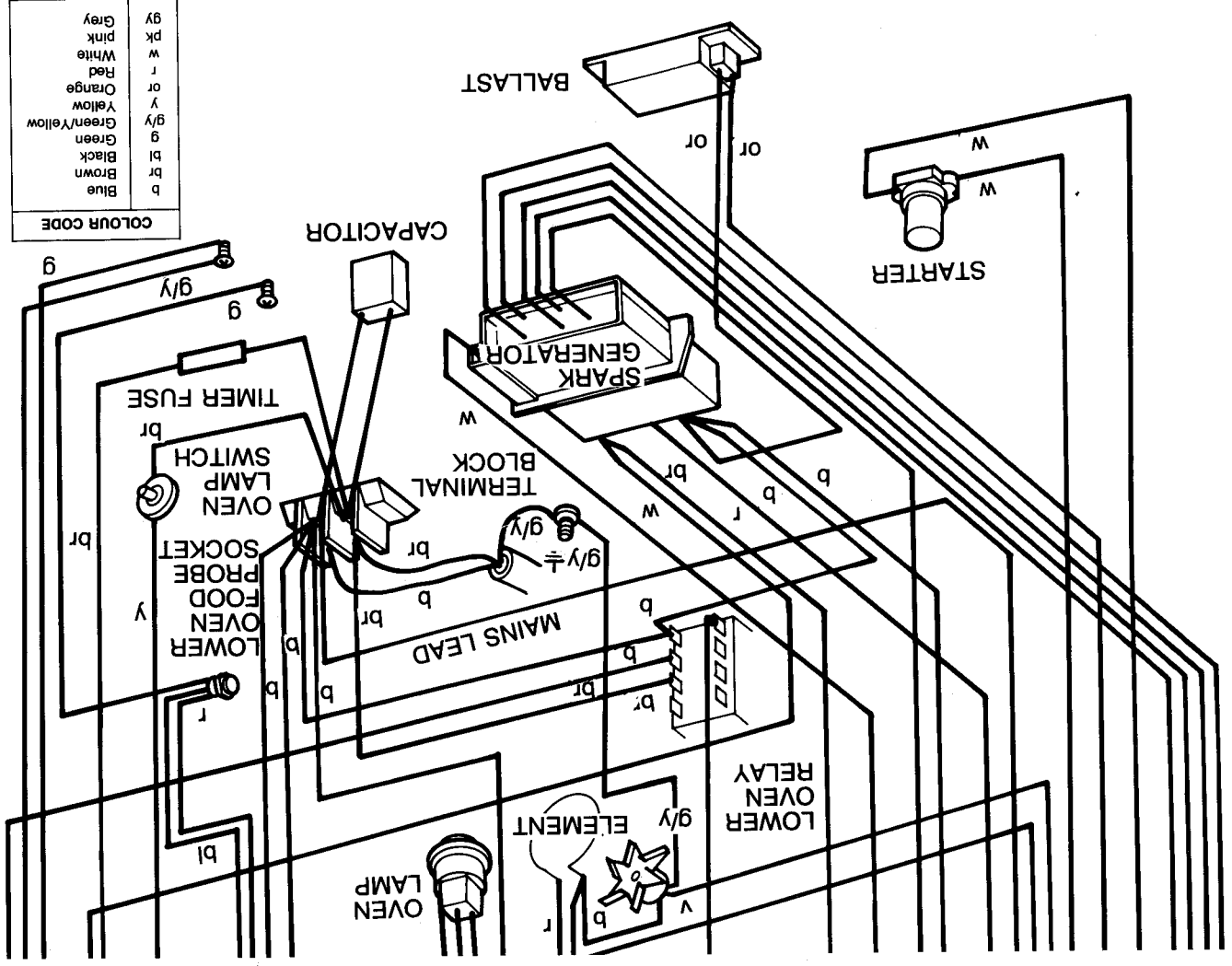
Check Operation of Oven Lamp.

Check Operation of Fascia Lamp.

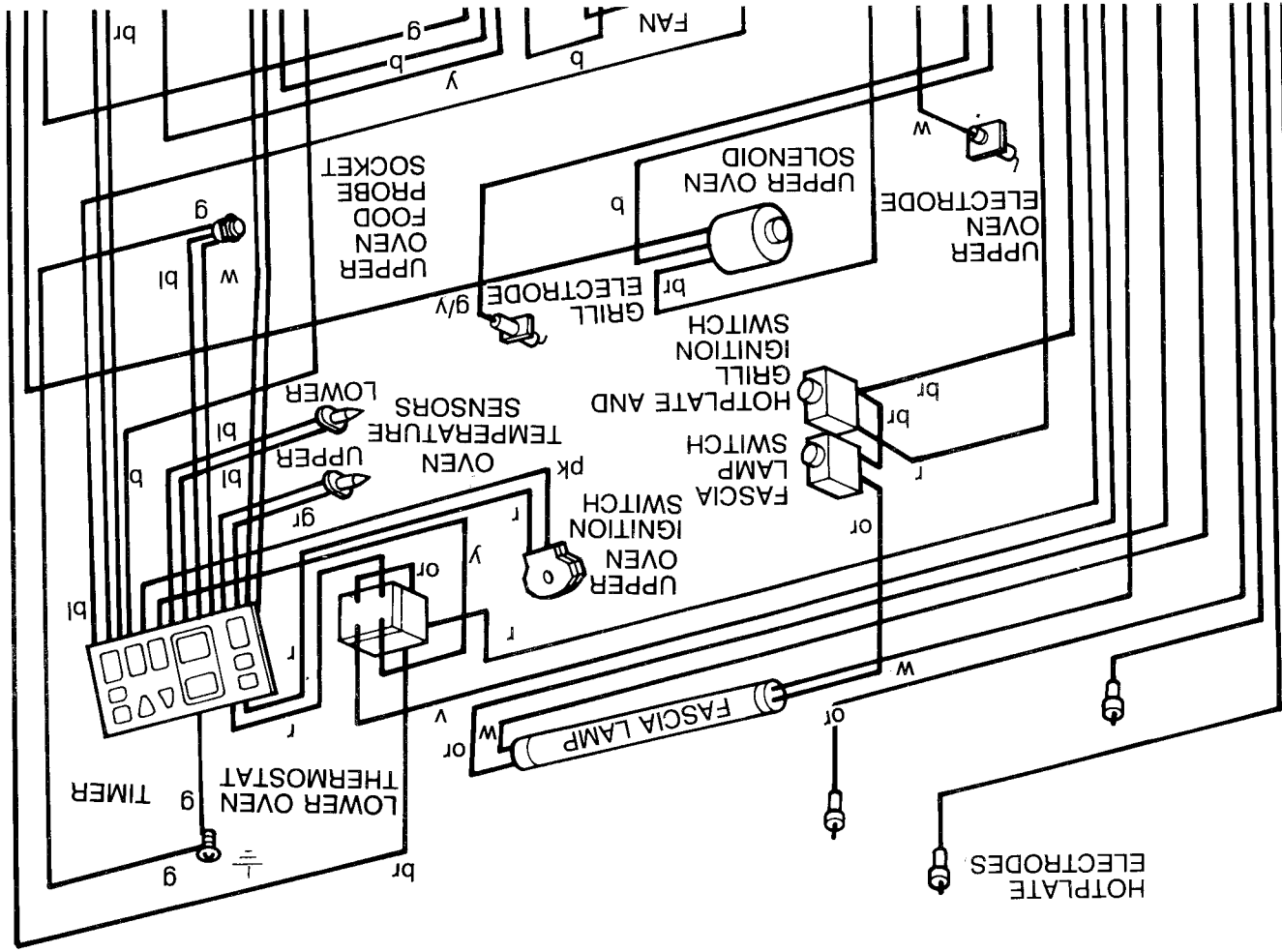
Check that the upper oven/grill control knob will NOT turn in a clockwise direction when the oven/grill selector lever is pushed in. (fig. 6)

Refer to User's Booklet and check operation of timer.

Check that the meat probe is functioning. Set the clock to the correct time of day and into the manual mode. Plug the "Jack" end of the probe into the upper oven socket, turn on the upper oven control and immerse the metal probe in a small container of boiling water. One or more of the L.E.D. lights should illuminate.



ILLUSTRATED WIRING DIAGRAM



ELECTRICAL CONNECTION

Repeat the procedure for the lower oven.

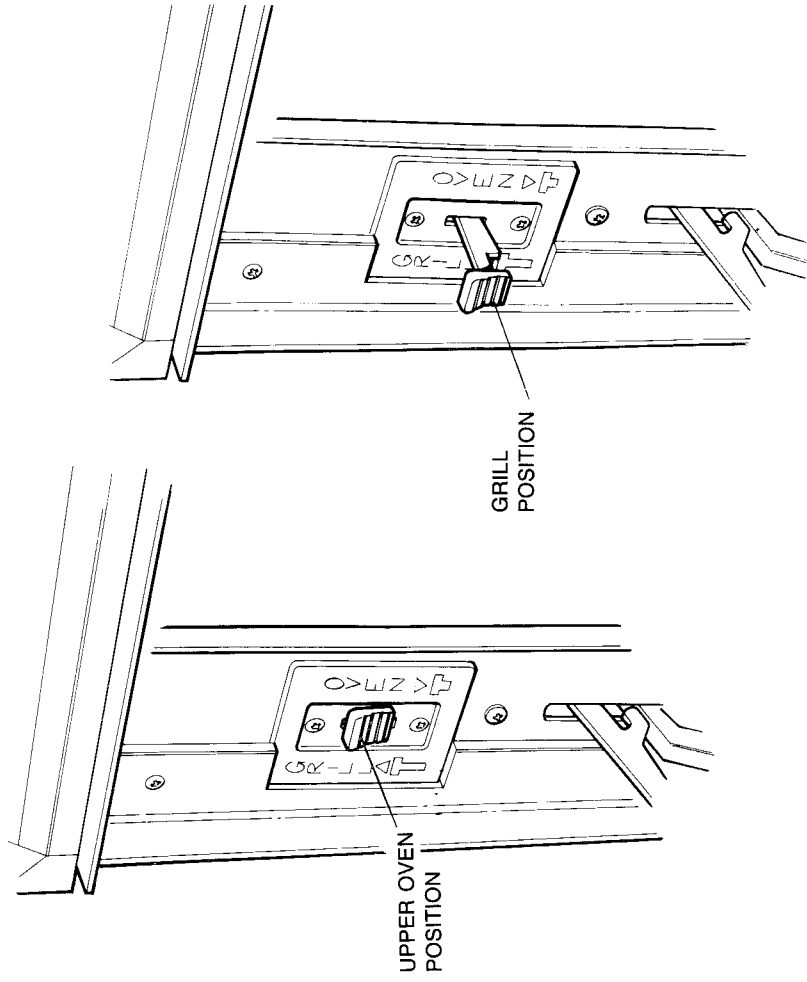
Check operation of lower oven Fan and Element.

In the event of an electrical fault after the installation of the appliance, preliminary electrical system checks should be carried out. (i.e. earth continuity, polarity and resistance to earth as described in the multimeter instruction book).

USER

Instruct the User in the operation of the appliance including the meat probe which is described on page 22 of the User instructions.

Fig. 6

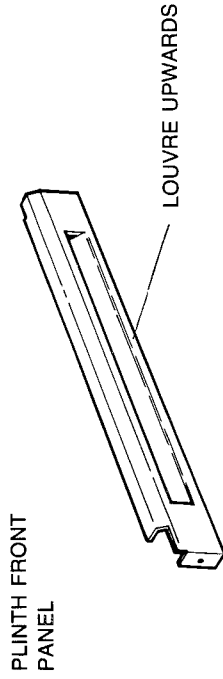


MAINTENANCE INSTRUCTIONS

HOTPLATE ASSEMBLY

REMOVE PLUG OR DISCONNECT MAINS ELECTRICITY, AND BEFORE SERVICING ANY GAS CARRYING COMPONENT, DISCONNECT THE GAS SUPPLY TO THE APPLIANCE. CHECK FOR SOUNDNESS AFTER MAINTENANCE OR DISCONNECTION OF ANY GAS CARRYING COMPONENT.

- SIDE PANELS**
 - Remove plinth front panel (2 screws). Remove front vertical side trims. (3 screws).
 - Holding the side panel in position remove one rear screw. Swing the bottom of the panel outwards and lower the panel sufficiently to free the front upper corner from the fascia end cap.
 - Reassemble in reverse order.

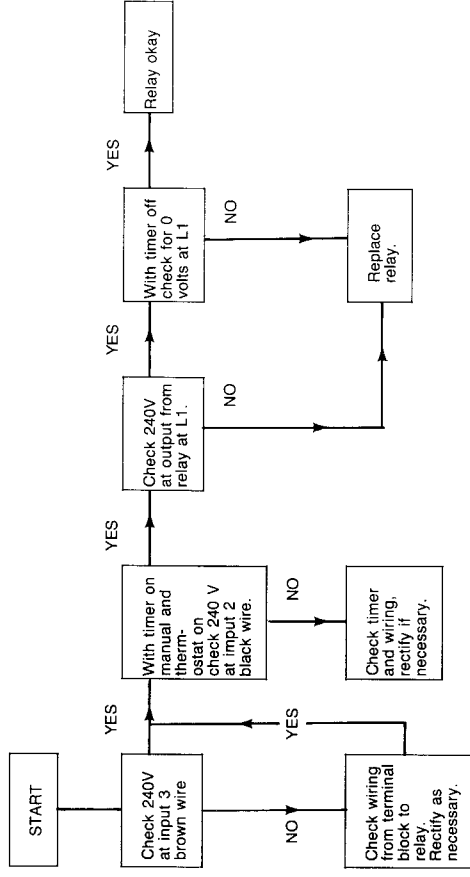


HOTPLATE

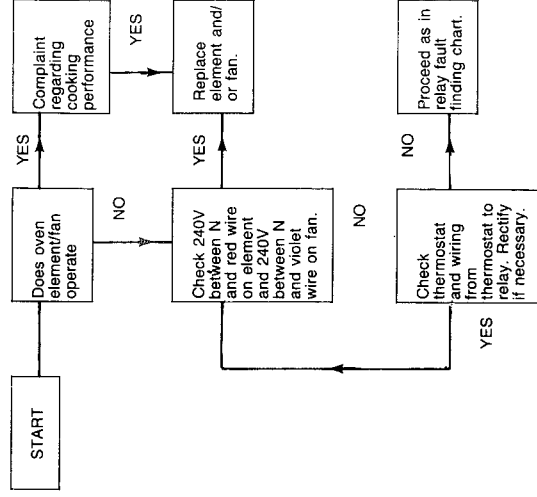
- Remove pan supports, burner caps, control knobs and ignition and panel light switch buttons.
- With the glass lid closed remove the rear flue grill. (2 screws and fibre washers)
- Lift lid and remove hotplate side trims (one rear screw and fibre washer each trim). Lift the rear of the trim slightly and slide rearwards.
- Remove fascia panel end caps. (2 rear facing screws and one vertical screw below end cap)
- NOTE:** – Ensure only short screw is used below timer when refitting end cap. A longer screw WILL damage the Timer P.C.B.
Remove fascia upper trim and place on top of hotplate. Remove plastic moulding from between glass fascia and timer. Loosen lower trim (3 screws) and ease fascia glass over tap spindles and remove. Allow fascia upper trim to hang over grill door by tube cables. Leave timer in situ.
- To remove hotplate release the gas supply pipe to gas rail connection using a 19mm spanner held at a suitable angle for turning. Remove four side screws below hotplate rim. Separate the supply pipe connection and ease the supply pipe backwards sufficiently to allow the front of the hotplate to be lifted, disconnect the electrodes and withdraw RH electrode leads through channel.
- Reassemble in reverse order. Check for soundness after connection of gas supply. Ensure timer shield is in front of hotplate lip, and that side trim clips are attached to underside of trim. (Fig. 1) Also ensure that plastic moulding does not damage timer membrane connection on reassembly. (fig. 8)

FAULT FINDING

LOWER OVEN RELAY



LOWER OVEN HEATING ELEMENT/FAN



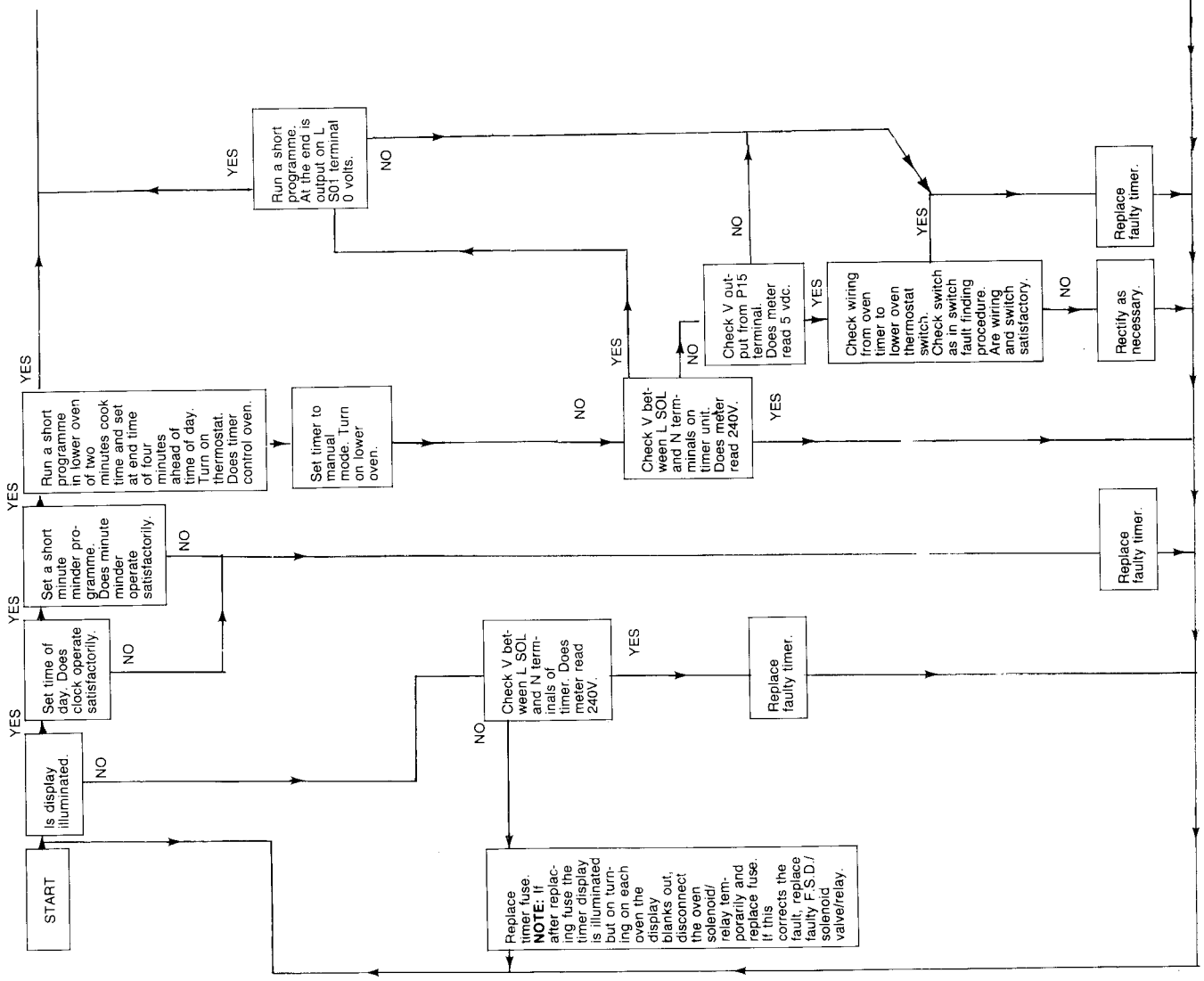


Fig. 7

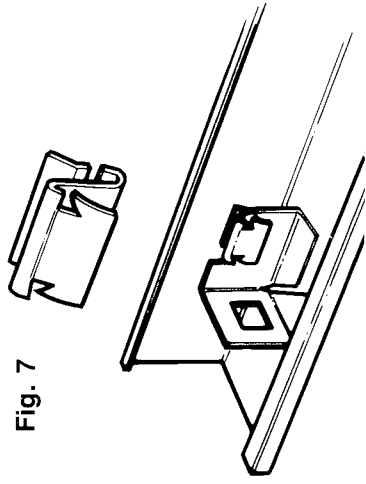
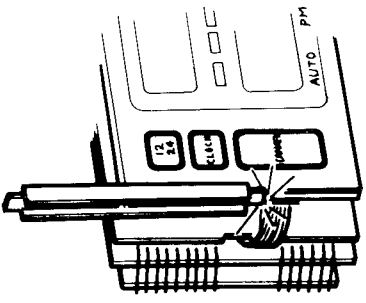


Fig. 8



3. HOTPLATE FACIA GLASS

1. Follow points 2 to 5. HOTPLATE (2), but do not hang fascia upper trim over grill door.
2. Transfer grommets to new glass.
3. Reassemble in reverse order. Ensure that side trim clips are attached to underside of trim (fig. 7) and that plastic moulding does not damage timer membrane connection on reassembly (Fig. 8).

4. TIMER

1. Follow points 2 to 4 HOTPLATE (2).
2. Remove fascia upper trim and place on top of hotplate. Loosen lower fascia trim (3 screws). Remove packing from between timer and fascia glass and ease timer out of location.
3. Unplug or disconnect timer connections.
4. Reassemble in reverse order. Refer to page 22 for timer connections. Ensure timer cables are tucked behind stride shield, also that side trim clips are attached to underside of trim (fig. 7) and that plastic moulding does not damage timer membrane connection on reassembly (fig. 8).

5. LOWER OVEN THERMOSTAT

1. Move cooker to allow access to rear.
2. Remove rear oven lining. Slacken 4 screws adjacent to oven sides. Lift and pull off lining.
3. Release thermostat phial from clips on fan mounting plate and carefully pass phial through hole in fan mounting plate, and rear cover panel.
4. Follow 2-5 HOTPLATE (2).
5. Remove deflector plate (1 vertical screw) and fascia lower trim (2 screws).

HOTPLATE FACIA CONTROLS

Ensure selector lever is in grill position, see fig. 6. Re-fit control knob to upper grill/oven tap and rotate clockwise to position interlock disc on left hand side.

- Remove cable connections from front switch of thermostat, noting positions and routes of cables.
- Remove thermostat fixing nut. Release thermostat location lugs from bracket and move thermostat to the left to free from bracket. Thermostat can now be pulled forward to allow removal of rear cable connections. Note positions.
- Remove R.H. side panel (1). Thermostat, capillary tube and phial can now be removed.
- Re-assemble in reverse order taking care not to trap and damage cables. When refitting thermostat ensure correct orientation, i.e. terminals 1 and 2 must face upwards. Ensure that side trim clips are attached to underside of trim (fig. 7) and that plastic moulding does not damage timer membrane connection on re-assembly. (fig. 8)

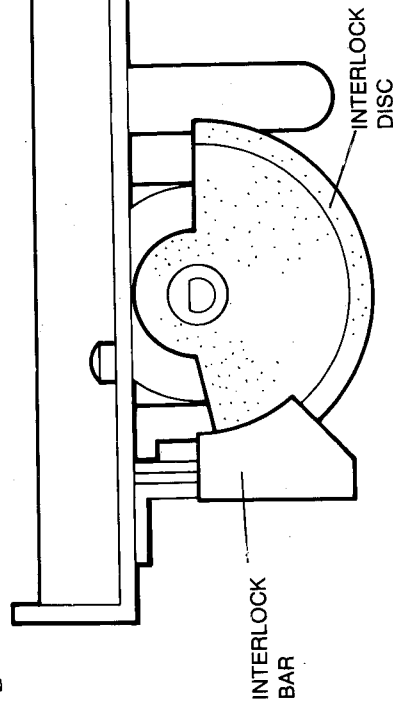
6. UPPER OVEN TAP SWITCH

- Follow points 2 to 5 HOTPLATE (7).
- Follow points 2 UPPER OVEN/GRILL TAP (9).
- Reassemble in reverse order.

7. UPPER OVEN/GRILL TAP

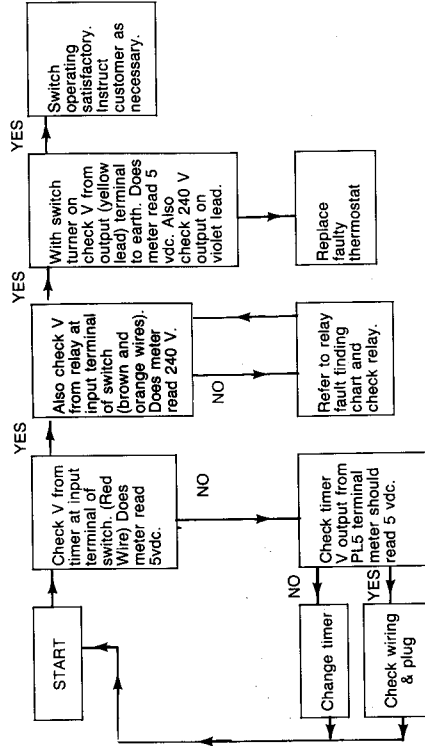
- Remove hotplate (2)
- Refit control knob and turn anti-clockwise until interlock disc (fig. 9) is clear of interlock bar. Remove knob and disc, refit knob and return tap to off position, remove knob and switch.
- Disconnect gas supply pipes, remove 2 tap securing screws and remove tap.
- Refit tap ensuring 'O' ring is correctly seated. Fit switch over spindle and locating pin. Transfer plastic interlock disc ensuring that it is positioned behind the interlock bar. (fig. 9)
- Reconnect supply pipes and reassemble appliance in reverse order.

Fig. 9

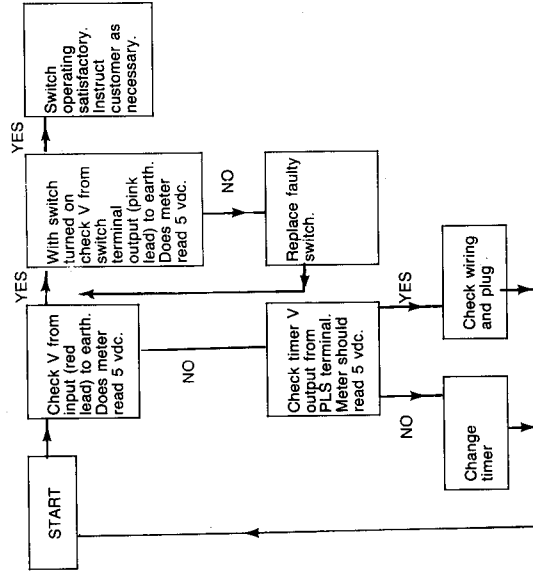


FAULT FINDING

SWITCHES - LOWER OVEN THERMOSTAT

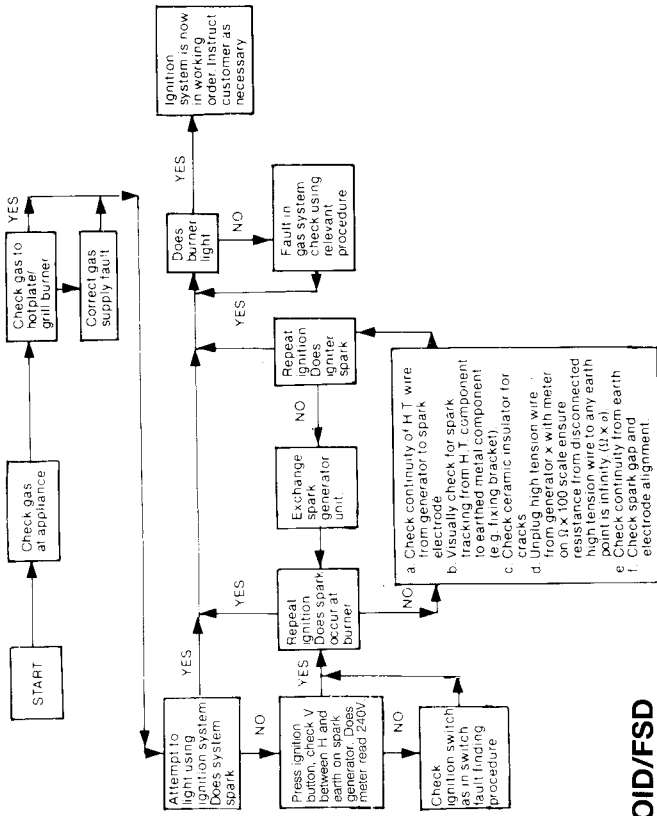


UPPER OVEN TAP SWITCH

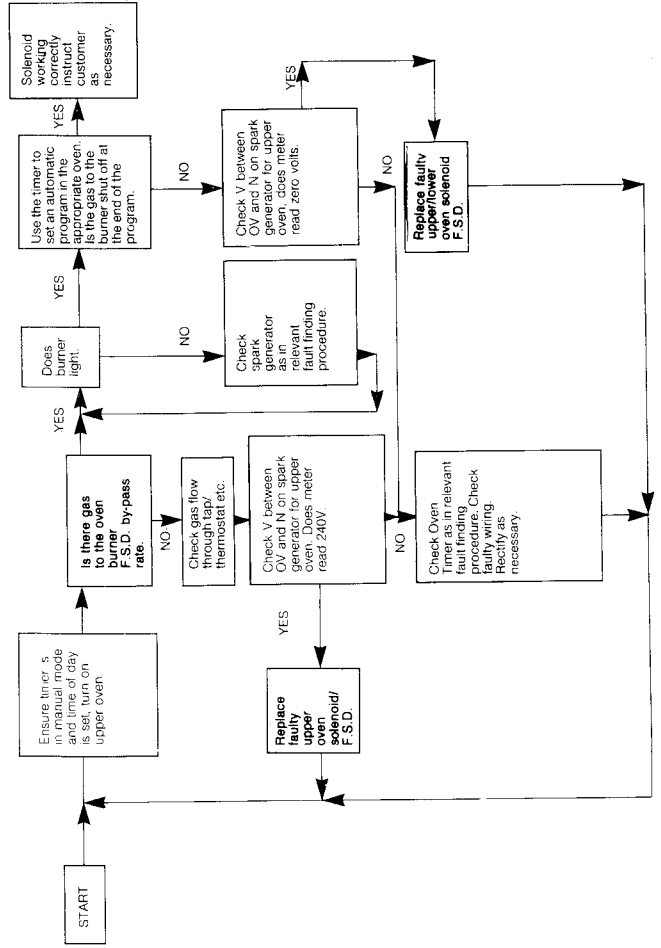


FAULT FINDING

HOTPLATE/GRILL IGNITION



SOLENOID/FSO



HOTPLATE FACIA CONTROLS

8. HOTPLATE TAP (Removal)

1. Remove hotplate (2) and turn upside down.
2. Disconnect gas supply pipe and remove two screws securing tap.
3. Reassemble in reverse order ensuring 'O' ring is correctly seated.

9. IGNITION AND PANEL LIGHT SWITCHES

1. Remove control knobs and buttons and then follow points 2 to 5 HOTPLATE (2).
2. Squeeze or press in 4 wing points holding switch in place and push through bracket hole and disconnect.
3. Reconnect new switch and refit.
4. Reassemble in reverse order.

10. FLUORESCENT TUBE

1. Follow points 2 to 4 HOTPLATE (2)
2. Remove fascia upper front trim
3. Unclip tube and disconnect the 4 connectors.
4. Connect and fit new tube such that the base of the left hand terminals are approximately level with the small slot adjacent to the trim fixing tab. (fig. 10)
5. Reassemble in reverse order.

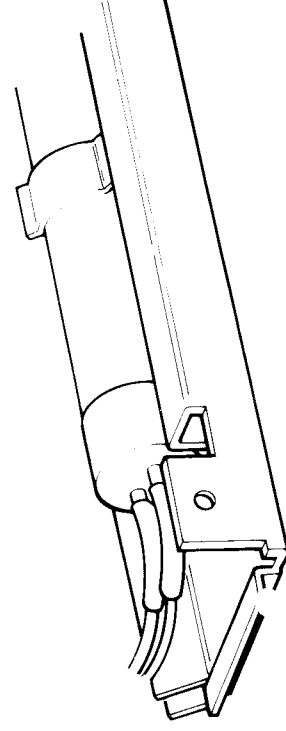


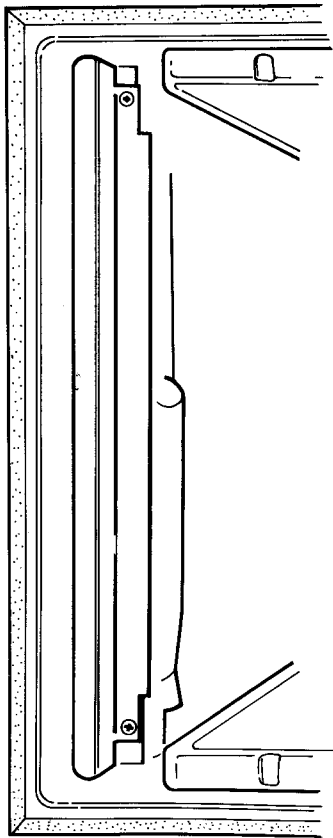
Fig. 10

GRILL ASSEMBLY

11. GRILL BURNER

1. Remove inner baffle. (2 screws and disc washers)
2. Disconnect ignition lead and slacken, but do not remove, single burner fixing screw in compartment roof. Both on RH side.
3. Pull RH side of burner forward to clear fixing screw and slide burner off injector.
4. During reassembly ensure that the burner fixing bracket is pushed fully home onto the fixing screw and screw is fully secured. Also ensure baffle is correctly fitted. (fig. 11)

Fig. 11

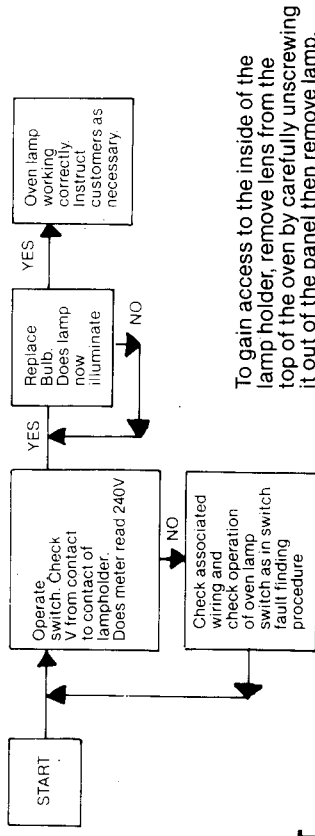


12. GRILL FRET

1. Remove grill burner (13)
2. Remove two inner side screws from front of fret.
3. Slightly lower front of fret and pull forward to disengage from rear location pegs.
4. Reassemble in reverse order.

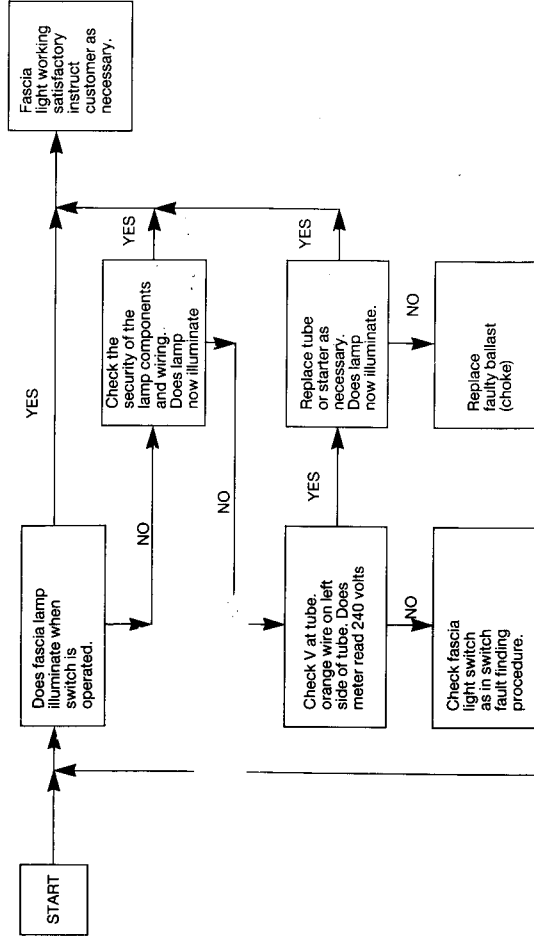
FAULT FINDING

OVEN LAMP

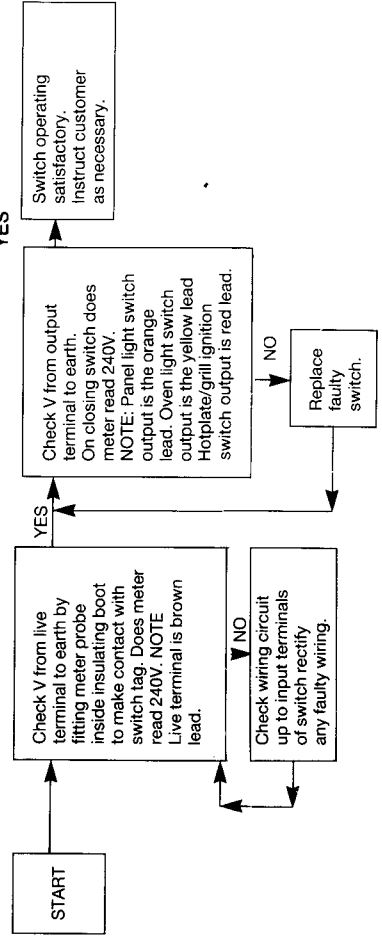


To gain access to the inside of the lamp holder, remove lens from the top of the oven by carefully unscrewing it out of the panel then remove lamp.

PANEL LIGHT



SWITCHES - PANEL LIGHT AND HOTPLATE/GRILL IGNITION



TIMER TEST ROUTINES

Test 2 – FUNCTIONS

Having completed Test 1, the following should be performed.

Press the keys on the keypad in the following order.

12/24

CLOCK

CANCEL



UPPER OVEN

LOWER OVEN

MINUTE TIMER

COOK TIME

END TIME

The keys must be pressed in the above order and after each key pressed a bleep should be heard.

If some of the keys do not result in a bleep being heard then this indicates a fault with the timer.

Switch off power at mains supply and then on again to return to normal operation.

If both these tests are satisfactory then it is likely that the timer is working correctly and that the fault may be elsewhere in the timer circuit, such as the oven switches, solenoid valve etc. (See timer fault finding chart)

Should confusion arise during either of the above tests then switch off the mains supply and start test again.

GLASS AND TRIM

13. GLASS LID AND TRIMS

1. Raise lid to vertical position.
2. Remove 2 side screws securing the front trim and lift the trim clear.
3. Carefully slide the glass upwards until clear of side trims.
4. Remove 4 side screws, 2 each side, to detach side trims from hinge.
5. Remove one screw at each end of rear trim to detach from side trims.
6. Reassemble in reverse order ensuring smooth side of glass is facing upwards.

14. DEFLECTOR PLATE AND FASCIA LOWER TRIM

1. Remove deflector plate. (3 vertical screws)
2. Remove fascia lower trim (2 screws)
3. Refit in reverse order.

OVEN DOORS

15. LOWER OVEN INNER DOOR

1. Remove upper oven/grill door (17). Lift glass door clear of hinges.
2. Remove hinges, one nut, gasket and bush.
3. Remove handle assembly, 2 hexagon studs, nuts and bushes.
4. Reassemble in reverse order ensuring that handle and hinge bushes are fitted. Adjust striker pin if necessary, to achieve door sealing by compression of rubber seal.

16. LOWER OVEN OUTER DOOR

1. Remove upper oven/grill door (17). Lift off inner glass door and then remove top hinge lower screw and slacken upper screw, allowing hinge pin location to swing upwards. Lift door clear and place on flat surface, inner panel upwards.
2. Remove 4 pan head screws and cup washers from inner panel.
3. Remove 3 flange head screws and fibre washers from top and bottom edge and lift inner panel away, leaving all outer panel components loose.
4. Remove top and bottom pin hinges, 2 countersunk screws each. Be careful not to lose nylon spacers.
5. Remove magnet plate, 1 pan head screw.
6. Reassemble in reverse order ensuring that nylon hinge pin spacers are fitted.

OVEN DOOR

17. UPPER OVEN/GRILL DOOR

1. Remove door by turning slotted disc, (fig. 12) a few degrees using a screw driver this will lock strides in such a way that door can be removed easily as follows.

"Tilt door upwards to approx 45° and lift slightly, pulling forward at the same time, this will disengage slot location of hinge. Continue to pull forward whilst further tilting the door upwards until stride slides free".

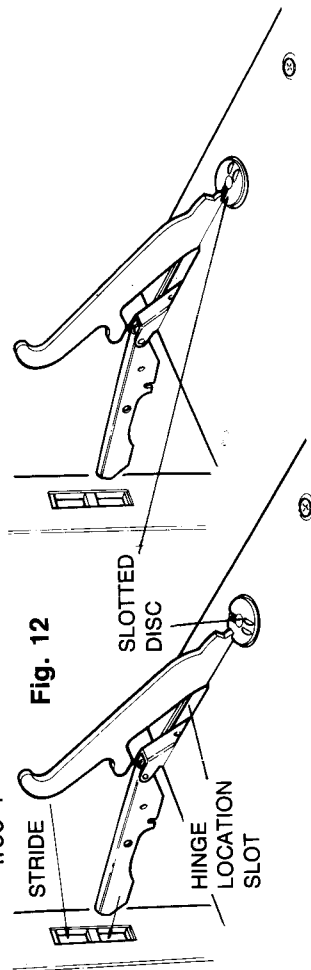


Fig. 12

2. Remove 3 flange head screws along top and bottom edge of door. Lift inner panel away leaving door glass and top and bottom retaining strips loose.
3. Remove door handles, one countersunk screw and dished flanged washer and one pan head screw alongside stride fixing (fig. 13). Remove hinge/strides, 1 countersunk screw through inner panel and 1 pan head through bottom edge.

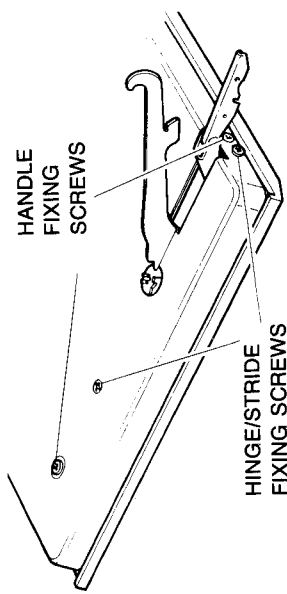


Fig. 13

4. Reassemble door in reverse order and refit as follows (fig. 12). Holding door flat just feed nose of hinge into lower slot, slowly tilt door upwards until stride enters upper slot. Lift door and push rearwards so that hinge locating slot seats correctly in lower slot.

18. DOOR CATCH (FRAME)

1. Remove RH side panel (1).
2. Remove door catch (2 screws)
3. Reassemble in reverse order.

TIMER TEST ROUTINES

TIMER TEST ROUTINES

Where either obvious display or oven operation problems make the timer suspect, the following Test Routines, in addition to the Timer Fault Finding Chart, should be used to establish the exact cause of the problem. Check that all connectors are fitted to the correct points on the terminal. (page 32)

The test should be performed with the control in place in the cooker and all the connectors fitted to the correct points on the control.

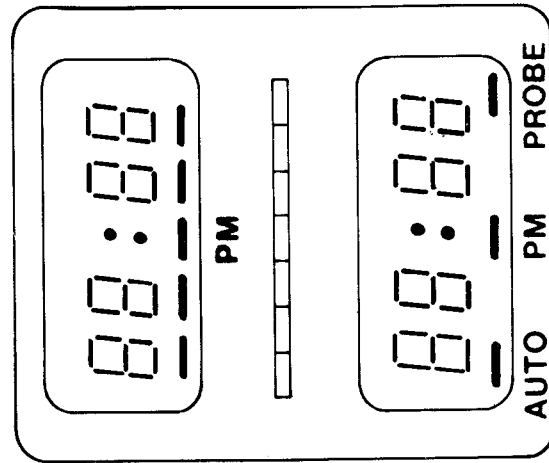
Test 1 - DISPLAYS

Switch off power at mains supply - wait 5 secs.

Switch on power at mains supply.

Press CANCEL and whilst keeping finger on cancel key press MINUTE

TIMER. Upper and lower displays should show full 8s in all positions and all the bar indicators should be illuminated with the exception of the two in the lower display between AUTO & PM and PM & PROBE, see below: -

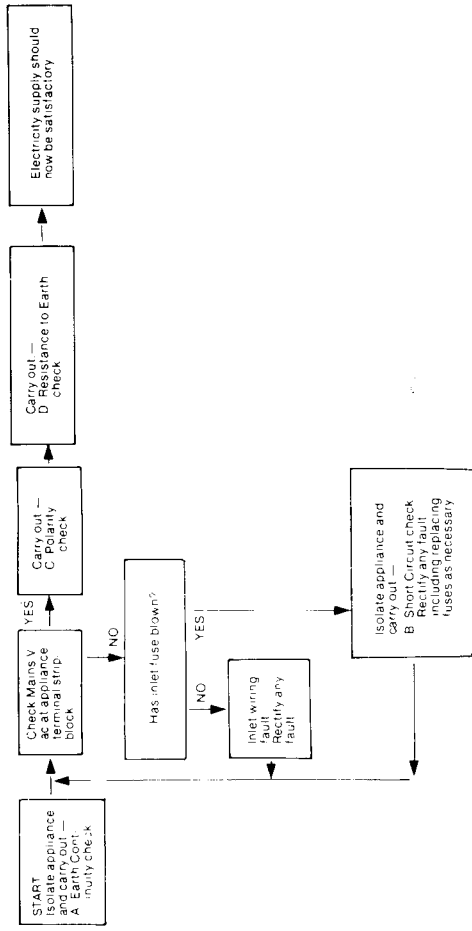


The whole of the temperature bargraph display should be illuminated and also each of the neons behind the switches: COOK TIME, END TIME, MINUTE TIMER, UPPER OVEN, LOWER OVEN.

Failure of any of the above indicates a fault with the timer.

If none of the display is illuminated, switch off the mains supply, check the timer fuse, replace the fuse if necessary and start test again.

PRELIMINARY ELECTRICAL SYSTEM CHECKS



NOTE:

These diagrams will assist in the diagnosis of electrical faults. The meter referred to should be capable of measuring 240V a.c. and a resistance of 100Ω f.s.d.

- A. EARTH CONTINUITY CHECK — appliance must be electrically disconnected — meter set on Ω (ohms); x 1 scale and adjust to zero if necessary.
- Test leads from any appliance earth point to earth pin on plug — resistance should be less than 1Ω (ohm).
 - If the resistance is greater than 1Ω (ohm) check all earth wires for continuity and all contacts clean and tight.
 - If resistance of earth is still greater than 1Ω (ohm) then this should be reported to your supervisor.
- B. SHORT CIRCUIT CHECK — appliance electrically disconnected, all switches ON (including stoves) —
- meter set on Ω (ohms) x 1 scale
 - Test leads from L to N in appliance terminal strip/block — if meter reads 0 then there is a short circuit.
 - meter set on Ω (ohms) x 100 scale.
 - Repeat test with leads from L to E. If meter reads less than ∞ (infinity) there is a fault.
- NOTE — Should it be found that the fuse has failed but no fault is indicated — a detailed continuity check (i.e. by disconnecting and checking each component) is required to trace the faulty component. It is possible that a fault could occur as a result of local burning/arcing but no fault could be found under the test. However a detailed visual inspection should reveal evidence of burning around the fault.

C. POLARITY CHECK

Appliance connected to mains supply and meter set on 300 Vac scale. Test at appliance terminal strip: —

- Test leads from L to N — meter reads approx. 240 Vac
- Test leads from L to E (—) — meter reads approx. 240 Vac
- Test leads from N to E (—) — meter reads from 0.15 Vac

Thus the terminal marked L is the live terminal. If the low Vac reading is given on terminals other than N to E (—) there is an electrical fault.

Repeat the test at the appliance plug/inlet spur to check the wiring system up to the appliance and rectify any fault. If necessary repeat the test at the supply system socket/spur — if the fault also occurs at this stage then there is a house system fault which requires attention by the Electricity Authority. The customer should be warned not to use the appliance until this examination has been carried out.

D. RESISTANCE TO EARTH CHECK

Appliance must be disconnected from mains supply and meter set on Ω (ohms) x 100 scale. All switches, including stoves, ON. Test leads from L to E — if the meter reads other than infinity (∞) there is a fault which should be isolated. A detailed continuity check is required to trace the faulty component.

IMPORTANT This series of checks are the first electrical checks to be carried out during a fault finding procedure. On completion of the service/fault finding task which has required the breaking and remaking of electrical connections then the checks — A. Earth Continuity, C. Polarity and D. Resistance to Earth — must be repeated.

OVEN BURNERS AND FSD

19. UPPER OVEN BURNER

- Remove shelf and compartment side panels. Unhook bottom of oven door seal. Remove compartment base. Utensil stop at rear.
- Disconnect igniter lead and remove forward facing burner fixing stud.
- Withdraw loose burner from injector. Transfer electrode and injector locating bracket to new burner.
- Reassemble in reverse order.

20. UPPER OVEN FSD/SOLENOID VALVE

- Pull cooker away from wall sufficiently to gain good access to rear.
- Remove RH side panel. (1)
- Remove shelf and compartment side linings. Unhook bottom of oven door seal. Remove compartment base. Utensil stop at rear. Release forward facing screw and swing FSD phial catch to the right to release phial.
- Follow points 1 to 3 LOWER OVEN RELAY (21). Disconnect FSD solenoid valve leads and thread through hole in frame.
- Disconnect inlet and outlet supply pipes.
- Remove two FSD bracket fixing screws and remove FSD.
- Fit new FSD and reassemble in reverse order.

21. LOWER OVEN RELAY

- Remove oven shelves and unhook bottom of oven door seal.
- Remove oven base panel, screw at rear. (It may be necessary to slacken the heat clean side panel fixing screws to enable the base panel to slide out.)
- Remove electrics cover. (Remove front screw and slacken rear)
- Disconnect leads from relay.
- Replace relay and re-assemble in reverse order.

INJECTORS AND ELECTRODES

22. INJECTORS

- Hotplate**
1. Remove hotplate. (2)
 2. Remove injector and sealing washer.
- Grill**
1. Remove grill burner (11).
 2. Remove injector and sealing washer.
- Upper Oven**
1. Remove oven burner (19).
 2. Remove injector and sealing washer.

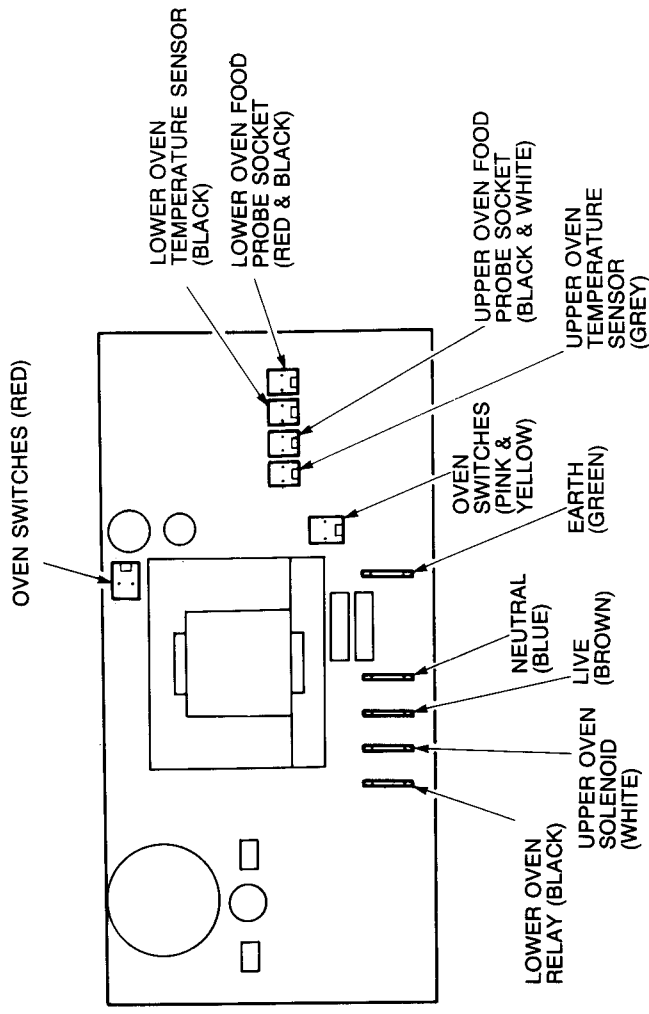
23. ELECTRODES

- Hotplate**
1. Remove hotplate (2).
 2. Remove electrode fixing screw.
- Grill**
1. Remove grill burner. (11)
 2. Remove 2 electrode fixing screws.
- Upper Oven**
1. Follow instruction 1 oven burner (19).
 2. Remove electrode fixing screw.

ELECTRICAL

TIMER REAR CONNECTIONS

Fig. 15



37. LOWER OVEN FAN MOTOR

1. Follow 1 LOWER OVEN ELEMENT (36).
2. Release thermostat phial from clips.
3. Release fan mounting plate (4 screws) and carefully pass phial through hole in fan mounting plate. Pull mounting plate sufficiently forward to allow removal of cable connections from motor and element. Note positions of connectors. Take care not to damage insulation at rear of mounting plate.
4. Remove fan blade by removing central fixing nut (note: left hand thread) undo clockwise, remove washer. Remove washer and circlip from fan motor shaft.
5. Fan motor assembly may now be taken from the mounting plate by removing fixing screws.
6. Re-assembly is reverse procedure.

33. UPPER OVEN TEMPERATURE SENSOR

1. Remove R.H. side panel (1).
2. Carefully lift oven lagging sufficiently to expose sensor.
3. Remove temperature sensor (1 screw).
4. Follow points 2 and 3, Timer (4).
5. Unplug the sensor from the rear of the timer. (fig. 15)
6. Re-assemble in reverse order.

34. LOWER OVEN TEMPERATURE SENSOR

1. Move cooker sufficiently to allow access to rear of cooker.
2. Remove R.H. side panel (1).
3. Follow points 2 and 3, TIMER (4).
4. Unplug sensor from rear of timer (fig. 15).
5. Remove fan motor panel at rear of cooker (4 screws).
6. Working inside oven, remove rear oven lining (slacken 4 screws adjacent to oven sides. Lift and pull off lining)
7. Remove oven sensor and pull through cable (1 screw). (Sensor is located above fan and element mounting plate.)
8. Re-assemble in reverse order.

35. ELECTRICITY SUPPLY CABLE

1. Disconnect cooker from mains electricity.
2. Remove oven base panel. Screw at rear. Follow LOWER OVEN RELAY (21) points 1 to 3.
3. Disconnect brown and blue wires from terminal block and earth wire at earth post.
4. Remove cable restraint and cable from rear of cooker.
5. Reassemble in reverse order.

36. LOWER OVEN ELEMENT

1. Working inside lower oven, slacken 4 screws on rear oven lining adjacent oven sides. Lift and pull off lining.
2. Remove element fixing screw. Release element from lower bracket and pull element forward to reveal cable connections. Pull off connections taking care to prevent cables slipping back through holes.
3. Reverse procedure to re-assemble, centralising element on fixing.

24. HOTPLATE CUT OFF VALVE

1. Remove hotplate (2).
2. Remove flue back panel (3 screws).
3. Using a suitably sized spanner disconnect both supply pipes to gas rails.
4. Disconnect main supply pipe, remove both cut off valve fixing screws.
5. Refit new valve and reassemble in reverse order.

25. INTERLOCK MECHANISM

1. Follow points 1 to 3 Gas cut off valve (24).
2. Disconnect oven/grill and oven taps. Remove Timer (4) and Timer heat shield (1 screw).
3. Remove 4 oven gas rail fixing screws and ease gas rail away from supports, being careful not to damage thermostat capillary.
4. Remove the 3 screws securing the interlock mechanism to the gas rail support and the 2 screws (through elongated holes) attaching the mechanism lever to the flap. This assembly can now be removed and repaired as necessary.

26. (2) GRILL FLAP MECHANISM

- 1a. Pull cooker away from wall sufficiently to gain good access to rear of appliance. Remove flue back panel (3 screws) and flue grille (2 screws and washers).
- 2a. Close grill flap. Remove two screws securing flap swivel bracket and outer split pin from cranked end spindle.
- 3a. Remove two rear facing screws adjacent to each end of the grill flap and slide spindle locating brackets sideways to remove.
- 4a. Lift flap using grill flap control lever and slide to the left to remove.
- 5a. Reassemble in reverse order checking that rubber seal is in good condition and a sound seal is achieved.

27. (3) CONTROL LEVER MECHANISM

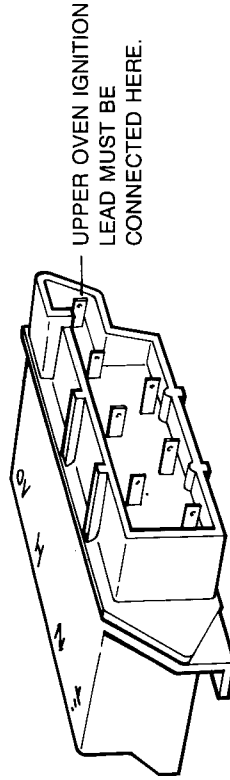
- 1b. Pull cooker away from wall to gain good access to rear.
- 2b. Remove LH side panel (1).
- 3b. Release tension spring and remove 2 side facing screws to release lever from plastic thumb piece.
- 4b. Remove cranked lever split pin referred to in 2a GRILL FLAP MECHANISM (26) above and ease vertical lever off spindle.
- 5b. Remove two screws securing bell crank mechanism to rear of frame. Uncouple linkage and remove mechanism.
- 6b. Remove thumb piece bezel (two screws).
- 7b. Reassemble in reverse order remembering to reattach tension spring. Ensure that grill flap seals correctly.

ELECTRICAL

28. SPARK GENERATOR

1. Follow points 1 and 2 LOWER OVEN RELAY (21).
2. Remove electrics cover (remove front screw, loosen rear screw)
3. Remove leads from spark generator.
4. Remove spark generator (2 screws)
5. Refer to wiring diagram when refitting leads and take care not to trap any wiring under electrics cover. Ensure upper oven ignition lead is connected to terminal shown in Fig. 13A.

Fig. 13a



SPARK GENERATOR

29. CHOKE

1. Follow points 1 and 2 LOWER OVEN RELAY (21).
2. Remove choke 2 screws.
3. Cut both leads to the choke (as near to the choke as possible).
4. Remove 5mm of insulation from the ends of the cut leads and push the wires into the terminals on the replacement choke.
5. Refit in reverse order.

30. STARTER

1. Follow points 1 and 2 LOWER OVEN RELAY (21).
2. Remove electrics cover (remove front screw loosen rear)
3. Turn starter anti-clockwise and remove.
4. Replace in reverse order.

31. OVEN LAMP

1. Unclip lens by pulling and tilting slightly.
2. Unscrew bulb.
3. Fit new bulb and replace lens.

NOTE: - The replacement bulb must be rated for 300°C.

ELECTRICAL

32. FOOD PROBE SOCKETS

1. Remove RH SIDE PANEL (1).
2. Pull back the insulation sleeve and disconnect the 3 electrical connections.
3. Holding the socket firmly, remove the securing nut and washer from within the oven compartments.
4. Reassemble in reverse order ensuring that the Red or White wire goes to terminal 'A', the Black to terminal 'B', Green to terminal 'C' or (fig. 14).

Fig. 14

