

iSense



This could be
the smartest
room thermostat
you've ever used



remeha

creating energy solutions

iSense

This could be the smartest room thermostat you've ever used



With the iSense, Remeha sets a new standard for a comfortable atmosphere in your home or office. The iSense is a high quality thermostat /controller with revolutionary intuitive controls. The iSense combines ease of use with an extensive range of options. And the iSense offers even more benefits when combined with our Remeha Avanta, Gas 110 or Quinta Range.

User-friendly

The intuitive nature of the iSense can be seen from the design. Just like your favourite MP3 player or mobile phone, the iSense has just two buttons and one turn-and-press dial. You do not need a complicated instruction manual, the iSense almost explains itself. It only takes a couple of minutes to familiarise yourself with all the options and settings.

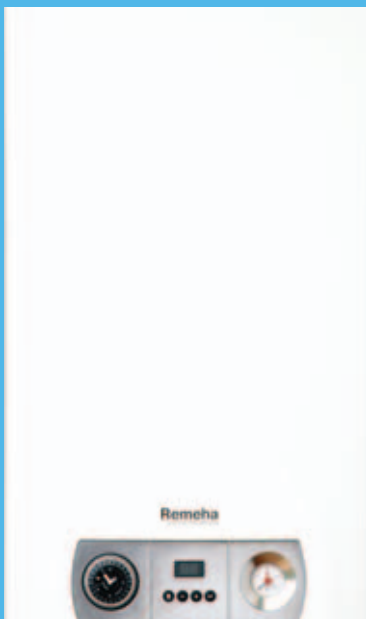
Clear and simple

The iSense has a large LCD screen equipped with a bright blue backlight: it is easy to read and simply designed. The scroll

menu enables you to navigate rapidly through the setting options. For certain functions the menu provides help texts with an explanation at the press of a button. You can then make the required choice.

The large screen with graphic display also makes it possible to set, read and change timer programmes with exceptional ease: the iSense allows you to view the entire timer programme for a day at a glance.

Winning combination



Remeha Avanta Range



Remeha Gas 110 Range



Remeha Quinta Range

Remeha iSense and Remeha Avanta, Gas 110 or Quinta boiler ranges

The iSense can be combined with any model of the Avanta, Gas 110 or Quinta range of boilers.

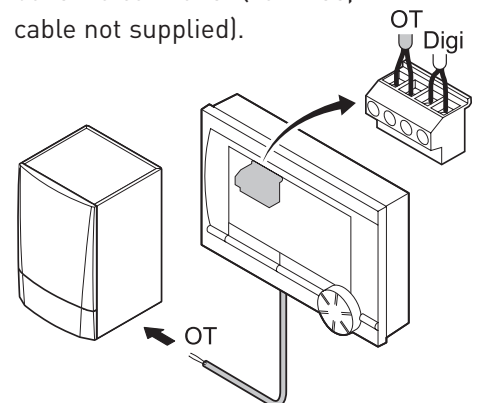
The Remeha iSense offers further possibilities when used in conjunction with the Remeha Avanta, Gas110 and Quinta boiler ranges. The backlight display on both the controller and the boiler is not the only thing they have in common.

The intelligent software which monitors the performance of the boiler also communicates directly with the controller.

Remeha boilers and the iSense together therefore make a useful combination for the consumer, but also for the installer. The Remeha iSense can also be used as a weather-dependent controller and can be fitted into the control panel of the boiler (Gas 110 and Quinta range only).

Connection

Simple two wire connection from boiler to controller (voltage free, cable not supplied).



iSense at a glance



Intuitive:

- Attractive design with simple, intuitive controls (2 buttons, 1 turn-and-press dial)
- Extremely user-friendly: no complex instruction manual required
- Clear LCD display, equipped with a backlight when in use (batteries required)
- Extensive setting options with handy and clear (scrolling) help menu
- 3 user levels (basic, standard and advanced)
- Quick choices (direct temperature setting available: timer programme, continuous day, continuous night, frost protection, summer setting, open hearth)
- Can also be seamlessly integrated into boiler casing for weather-dependent control (Gas 110 and Quinta range only)

Diverse:

- Can be combined with any model of Remeha Avanta, Gas110 or Quinta range
- Suitable for both room control and weather-dependent control
- Automatic switchover from summer time to winter time and vice versa
- Open hearth function
- Multiple languages available (iSense multilingual)

Functional:

- Easy to install and set
- 2 timer programmes, easy to set, view and change
- Customisable standard display - water pressure (not available on all models), outside temperature, desired temperature, measured temperature
- Extra functionality

User Levels



Technical Details



The Remeha iSense can be used in various ways with the aid of three user levels: basic, standard and advanced. These user levels mean that the iSense is very flexible in its use and can be applied in the most varied situations.

Basic

- Only manual operation possible
- Temperature can be changed manually using turn-and-press dial

Standard

- Most functions available, including use of timer programme

Advanced

- All iSense functions available

Programmes

- 2 timer programmes with 6 switching points per day
- Water heater timer programme with 6 switching points per day. Holiday programme with scope for 16 periods, day setting, night setting, frost protection, summer setting, open hearth setting.

Setting accuracy

- Temperature: 0.5 °C
- Timer programme: 10 minutes

Temperature setting range

- 5-35 °C

Connections

- OpenTherm
- Digital input

Display

- Graphic/segments with blue display light (battery operated for certain models)

Summer/winter time switchover

- Automatic



The data published in this technical sales leaflet is based on the latest information (at date of publication) and may be subject to revisions. It should be read in conjunction with our full technical brochure (available on request). We reserve the right to continuous development in both design and manufacture, therefore any changes to the technology employed may not be retrospective, nor may we be obliged to adjust earlier supplies accordingly.

Issue 1 date: 01/10/09



Remeha is committed to carbon offsetting

Broag Ltd. Head Office

Remeha House
Molly Millars Lane
Wokingham
Berkshire RG41 2QP
T: 0118 978 3434
F: 0118 978 6977
E: boilers@remeha.co.uk
www.remeha.co.uk


creating energy solutions

