



**British Gas**



O W N E R G U I D E



**Roma**

**Model 636**

**(GC No. 32 032 05)**

*This Owner Guide is intended to help you care for your Valor gas fire.  
Please read carefully before using your gas fire and keep for future reference.  
This Owner Guide gives sufficient details to enable your gas fire to be operated and  
maintained.*

**IMPORTANT.**  
**Please keep your Owner Guide in a safe place together with the  
Installer Guide.**

Model 636 is for use with natural gas (G20)

This appliance is for use in the United Kingdom (GB) and the Republic of Ireland (IE) only.

C U S T O M E R C A R E

***Thank you for choosing Valor.***

All Valor gas fires are designed to meet the most stringent quality, performance and safety requirements to provide our customers with many years' trouble-free service.

Your owner guide aims to improve your understanding and appreciation of your Valor gas fire by providing simple and informative instructions to ensure that you benefit from the excellent performance and features it has to offer.

If you require further assistance or any advice about gas in general, the **Valor AdviceLine** will be pleased to help.

Please telephone **0345-626341** (local call rates apply in the United Kingdom).

**FOR OTHER USEFUL TELEPHONE NUMBERS SEE INSIDE BACK COVER.**

## SAFETY

### IF YOU SMELL GAS

**DON'T SMOKE**

**EXTINGUISH ALL NAKED FLAMES**

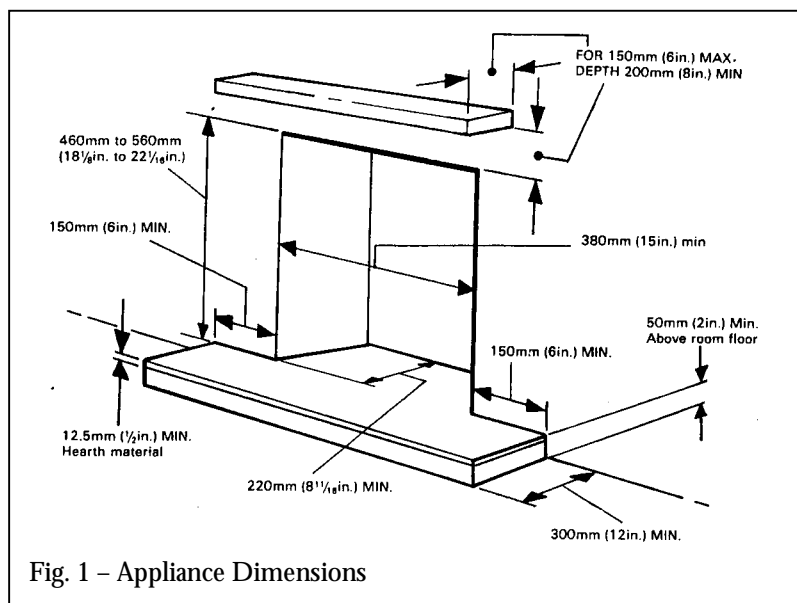
**DON'T TURN ELECTRICAL SWITCHES ON OR OFF**

**TURN OFF THE GAS SUPPLY AT THE METER**

**OPEN DOORS AND WINDOWS TO GET RID OF THE GAS**

**IMMEDIATELY CALL THE GAS EMERGENCY SERVICE - SEE YOUR LOCAL TELEPHONE DIRECTORY**

1. As with any gas appliance, this fire must be installed by a competent person. In the United Kingdom, installation must be in accordance with the latest edition of the Gas Safety (installation & use) Regulations. In the Republic of Ireland, installation must be in accordance with all national and local regulations in force.
2. If the fire is intended to be installed to a chimney which was previously used for solid fuel, please note that the chimney must be swept prior to installation.
3. On no account must the fire stand on carpets or other combustible materials. The fire must stand behind a non-combustible hearth surface. The hearth material must be at least 12.5mm thick. Its top surface should be 50mm above floor level to discourage placing carpets. Rugs or other combustible materials over the hearth. The minimum size of the hearth is shown in figure 1.
4. The minimum height from the top surface of the fireplace to the underside of any shelf made from wood or other combustible material and which is not more than 150mm deep is 200mm. For shelves deeper than 150mm add 12.5mm to the above clearance for every 25mm of additional shelf depth.
5. Never put any paper or other material on the fire. Never add any extra coals above the number stated in these instructions. This could cause a safety hazard.
6. It should be appreciated that although this appliance conforms to all the applicable standards, it is a decorative fuel effect heating appliance and certain parts of its surface will become hot. A suitable guard which complies with BS 6539 or 6778 should be used for the protection of young children, the elderly and the infirm. Such a guard is also recommended for the protection of pet animals.
7. Always switch the fire off and allow to cool before handling. Note that this appliance retains heat for some time after it has been switched off.
8. Never hang clothing, towels or any other fabrics over the fire.
9. This appliance is fitted with a device which will automatically shut off the supply of gas to the fire if, for any reason, the flames go out. If this device does operate or if the fire is turned off accidentally or intentionally, always wait three minutes before attempting to relight.
10. Soft wall coverings (e.g. embossed vinyl etc.) which have a raised pattern, are easily affected by heat. They may, therefore, scorch or become discoloured when close to a heating appliance. Please bear this in mind when having a heating appliance installed and when redecorating.



### PLEASE NOTE

When operating your fire for the first time, some vapours may be given off which may cause a slight odour and could possibly set off any smoke alarms in the immediate vicinity. These vapours are quite normal with new appliances. They are totally harmless and will disappear after a few hours use. This fire is supplied with ceramic "coals" to simulate a real coal fire. These items are designed for easy refitting if removed.

## GAS CONSUMPTION

Model 636 has a maximum natural gas input of 6.85kW (Gross)

## OPERATING THE FIRE

### The flame sensing device.

For your safety, this appliance is fitted with a device which will automatically shut off the gas supply to the fire if the pilot flame goes out. It will also shut off the gas supply if the flue is blocked or if there is not enough ventilation. ***If this device starts to frequently shut off the gas, get expert advice.***

This device incorporates a probe which senses that the heat from the pilot flame is correct. If this probe is cool, the device will prevent any gas flow unless the control is held at the ignition position.

If, for any reason, the flames go out when the fire is hot or if the fire is turned off when hot, always ***wait at least three minutes before attempting to relight.***

### To light the fire

Rotate the control to the pilot position and depress. Press the piezo button repeatedly. There may be a delay before the pilot lights due to air being purged from the system.

When the pilot burner is operating properly, gradually turn the control knob anti-clockwise to HIGH (Depress the knob slightly to get past the LOW position). The main burner should now light. Depress the control knob slightly to release from the HIGH position and turn back (clockwise) to LOW. While turning, the burner flames should gradually become lower but remain alight. Depress the control knob slightly to release from the LOW position and turn back (clockwise) to IGN. The main burner should extinguish but the pilot should remain alight. Depress the control knob slightly and turn back (clockwise) to turn OFF this will extinguish the pilot. See fig 2.

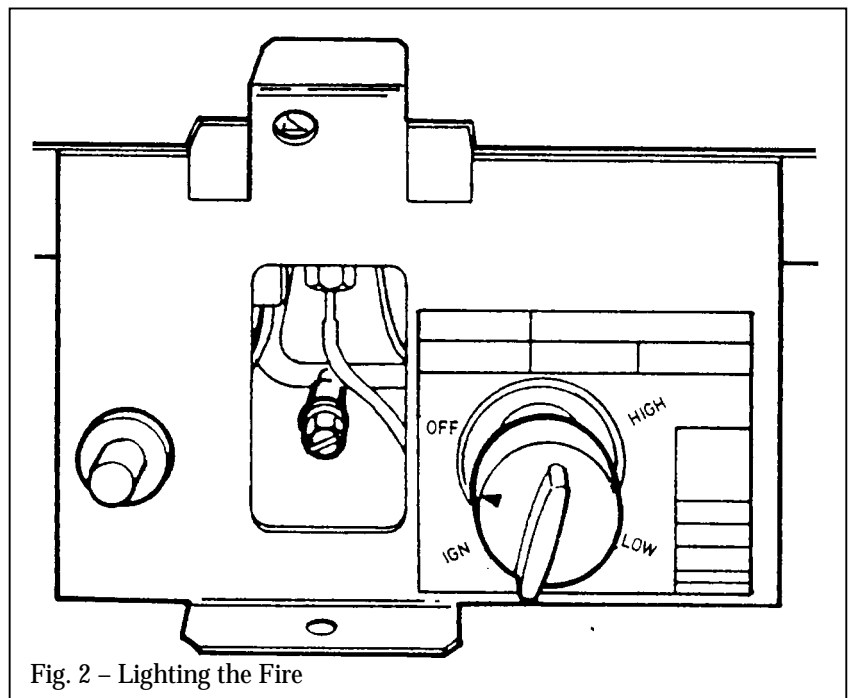


Fig. 2 - Lighting the Fire

## CLEANING

Turn the fire off and allow it to cool before attempting any cleaning. Note that the fire will retain heat for some time after it has been turned off.

***If large pieces of debris are found anywhere in the fireplace, have the chimney inspected before further use.***

### Metal parts

Clean the metal parts with a slightly damp cloth and then dry. ***Do not use abrasive cleaners, they could scratch the surface.***

### Coals

This product uses fuel effect pieces and burner compartment walls containing Refractory Ceramic Fibres (RCF), which are man-made vitreous silicate fibres. Excessive exposure to this material may cause temporary irritation to eyes, skin and respiratory tract. Consequently, it makes sense to take care when handling these articles to ensure that the release of dust is kept to a minimum.

Light coatings of soot will usually be burnt off during the normal operation of the fire. Should any soot accumulation become excessive, the fuel effect pieces and walls should be removed from the fire for cleaning. Cleaning should be carried out in a well ventilated area or in the open air by gently brushing with the pieces held away from your face so that you avoid inhaling the dust. We do not recommend the use of a normal domestic vacuum cleaner which may blow dust back into the air. We suggest that you remove the coals in the reverse order to that shown in the fuel bed refitting instructions.

### Ceramic burner

Remove any deposits of soot or other foreign matter from the solid areas of the burner with a dry soft brush. Be careful not to brush any particles into the open slots. Remove any particles from the slots with a vacuum cleaner fitted with a soft brush attachment. ***Do not poke wire, etc. into the slots in the burner.***

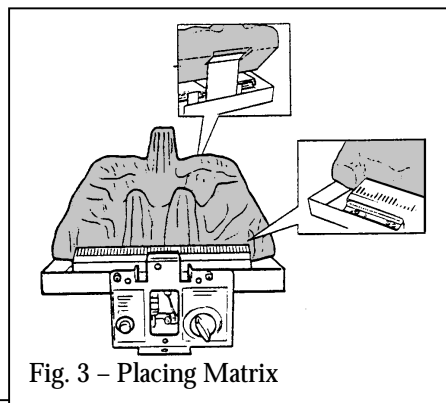
## FUEL BED REFITTING

If the fuel bed components are dislodged or removed, they must be refitted as follows:

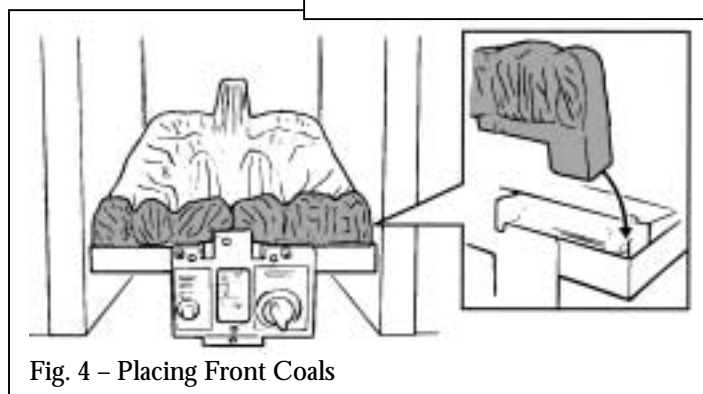
***Only the fuel bed parts supplied with this appliance or authorised Valor replacements must be used. Never add extra coals above the number stated in these instructions.***

### Placement of the ceramic coal matrix.

Position the bottom rear face of the coal matrix resting on the angled ledge of the coal matrix support plate located towards the back of the burner tray. The bottom front edge of the coal base should locate behind the recess in the burner plaques (See figure 3).



Place the ceramic front coals in position in front of the coal matrix. Make sure that the side legs of the front coals are fully seated into the burner tray. (See figure 4).



Install the 14 loose coals as follows. Place 5 of the coals resting between the front coal and the coal matrix. Please note the coals should bridge across the front coal to the coal matrix not placed in between. (See figure 5).

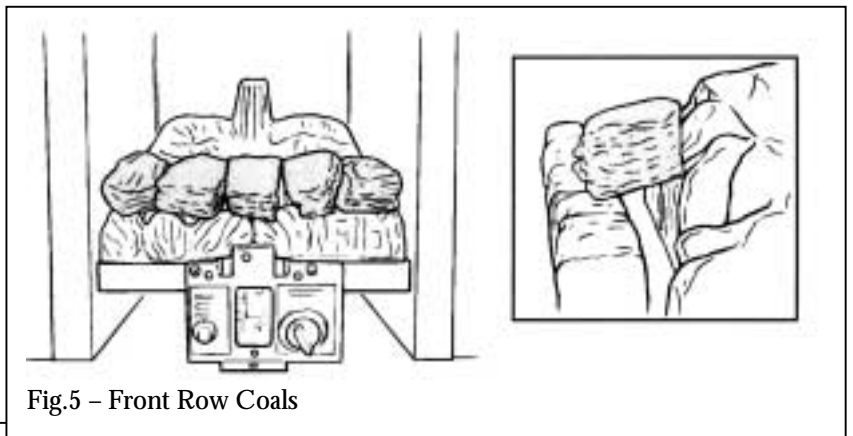


Fig.5 – Front Row Coals

Place a single coal upon the two peaks of the coal matrix directly behind the centre line of the first row of coals. (see figure 6).

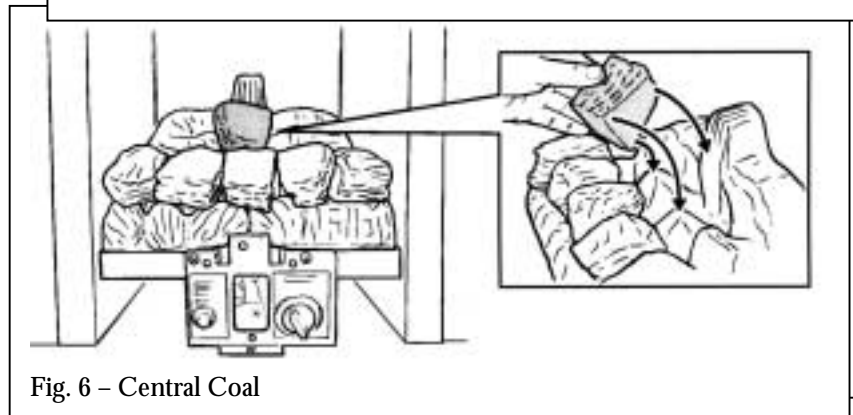


Fig. 6 – Central Coal

Place four further coals, two each side of the centre coal directly behind the front row of coals (see figure 7).

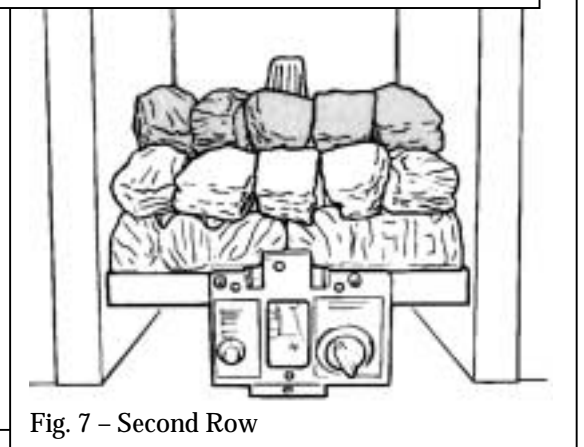


Fig. 7 – Second Row

Place the remaining four coals behind the second row of coals, two each side of the centre coal shape formed within the matrix. (see figure 8).

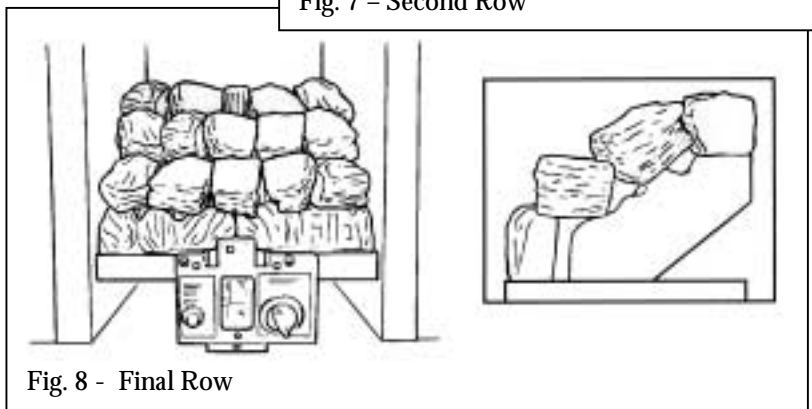


Fig. 8 - Final Row

### Decorative firefront.

Place the decorative firefront on the hearth and centralise to the appliance.

## Regular maintenance

In order to achieve and maintain high levels of personal safety and performance efficiency, it is essential that the opening at the back of the fire and the flue are kept clear of any form of obstruction. It is possible that deposits of mortar or soot could fall and accumulate causing the flue to be blocked or restricted and so preventing proper clearance of dangerous exhaust fumes.

In the United Kingdom it is the law that a landlord must have any gas appliance, flue and pipework which is situated in a tenant's premises checked for safety at least every twelve months by a competent person (In the U.K., a CORGI registered installer).

We recommend that all gas appliances and their flues, wherever situated, are checked annually.

## Servicing

- In the United Kingdom servicing can be carried out either by a Valor Service engineer or a CORGI registered installer.
- If you require your fire to be serviced, please contact **Valor Service** on **0121 386 6203** and quote the following details;
  - a) - model name and number.
  - b) - appliance serial no. (To be found on a chained plate below the burner and behind the bottom front cover)
- If you wish to replace any of the owner replaceable parts listed below, please contact **Valor Sales** on **0121 386 6260** for your nearest stockist of these parts. When ordering please quote the part number shown below.
- From the Republic of Ireland call **0044 121 373 8111** for all enquiries.

<u>Description</u>	<u>Part No</u>
Coal matrix	565739
Front coal RH	563339
Front coal LH	563329
Pack of loose coals	563349

***When fitting replacement parts, follow the instructions contained in this guide. It is important that only Valor approved parts are used for maximum safety.***

### USEFUL TELEPHONE NUMBERS

**To help us quickly help you, please try to have the following information available before you contact us:**

- a) Your Post Code.**
- b) Type of fire.**
- c) Model/Name.**
- d) Serial Number.**
- e) The fault, problem or request.**

**General advice about gas and your gas fire:  
VALOR ADVICELINE 0345 626341.**

**To report faults or arrange for your fire to be serviced:  
VALOR SERVICE 0121 386 6203.**

**To order spares or for sales information:  
VALOR SALES 0121 386 6260.**

**CALLERS IN THE REPUBLIC OF IRELAND  
Call 0044 121 373 8111**

### **Safety First.**

Valor fires are CE Approved and designed to meet the appropriate British Standards and Safety Marks.



### **Quality and Excellence.**

#### **At the heart of every Valor fire.**

All Valor fires are manufactured to the highest standards of quality and excellence and are manufactured under a BS EN ISO 9001 quality system accepted by the British Standards Institute.



### **The Highest Standards**

Valor is a member of the Society of British Gas Industries which works to ensure high standards of safety, quality and performance.



### **Careful Installation**

Valor is a Corgi registered company. All our gas fires must be installed by a competent Corgi Registered Installer in accordance with our Installer Guide and should not be fitted directly on to a carpet or floor of combustible material.

Valor Heating, Erdington, Birmingham B24 9QP

Because our policy is one of constant development and improvement, details may vary slightly from those given in this publication.