

British Gas 

Scottish Gas 

5109304/03

INSTALLER GUIDE

Bauhaus

INSET LIVE FUEL EFFECT GAS FIRE

(G.C No. 32-032-60)



WITH
REMOTE CONTROL

(Manufacturer ref. 042)

**THIS APPLIANCE IS FOR USE WITH NATURAL GAS (G20)
WHEN CONVERTED USING CONVERSION KIT NO. 9500376 THIS
APPLIANCE IS FOR USE WITH PROPANE GAS (G31)
THIS APPLIANCE IS FOR USE IN THE UNITED KINGDOM (GB) AND THE
REPUBLIC OF IRELAND (IE) ONLY.**

Manufactured exclusively for British Gas & Scottish Gas by Valor Heating
For Service Phone 0845 950 0400

Because our policy is one of constant development and improvement, details may vary slightly from those given in this publication

INSTALLER: Please leave this guide with the owner

INSTALLER GUIDE

Safety First.

This fire is CE Approved and designed to meet the appropriate British Standards and Safety Marks.



Quality and Excellence

This fire has been manufactured to the highest standards of quality and excellence and was manufactured under a BS EN ISO 9001 quality system accepted by the British Standards Institute.



The Highest Standards

The manufacturer is a member of the Society of British Gas Industries which works to ensure high standards of safety, quality and performance.



Careful Installation

The manufacturer is a CORGI registered company. This gas fire must be installed by a competent CORGI Registered Installer in accordance with our Installer Guide and should not be fitted directly on to a carpet.

Valor Heating, Erdington, Birmingham B24 9QP
www.valor.co.uk

Because our policy is one of constant development and improvement, details may vary slightly from those given in this publication.

INSTALLER GUIDE

CONTENTS

Section No.	Title	Page No
1.	SAFETY	4
2.	APPLIANCE DATA.....	5
3.	GENERAL INSTALLATION REQUIREMENTS.....	6
4.	PACK CONTENTS	11
5.	FIREPLACE CHECK.....	12
6.	GAS SUPPLY CONNECTION	13
7.	PREPARING APPLIANCE FOR INSTALLATION.....	14
8.	CONVECTION BOX INSTALLATION	15
9.	BURNER & SUPPLY PIPE INSTALLATION.....	18
10.	CERAMIC COALS INSTALLATION	19
11.	FULL OPERATING CHECKS.....	22
12.	APPLIANCE FINALISATION & REVIEW.....	27
13.	SERVICING & PARTS REPLACEMENT	28
14.	FAULT FINDING CHART	31
15.	SHORT LIST OF SPARES	32

INSTALLER GUIDE

1. SAFETY

Installer

- Before continuing any further with the installation of this appliance please read the following guide to manual handling
- The lifting weight of this appliance is: -

<u>Heat engine (kg)</u>	<u>Ceramics (kg)</u>	<u>Casting (kg)</u>	<u>Trim (kg)</u>	<u>Total (kg)</u>
13	2.5	4.5	1.0	21

- One person should be sufficient to lift the fire. If for any reason this weight is considered too heavy then obtain assistance.
- When lifting always keep your back straight. Bend your legs and not your back.
- Avoid twisting at the waist. It is better to reposition your feet.
- Avoid upper body/top heavy bending. Do not lean forward or sideways whilst handling the fire.
- Always grip with the palm of the hand. Do not use the tips of fingers for support.
- Always keep the fire as close to the body as possible. This will minimise the cantilever action.
- Use gloves to provide additional grip.
- Always use assistance if required.

INSTALLER GUIDE

2. APPLIANCE DATA

This product uses fuel effect pieces and gaskets containing Refractory Ceramic Fibres (RCF), which are man-made vitreous silicate fibres. Excessive exposure to these materials may cause irritation to eyes, skin and respiratory tract. Consequently, it is important to take care when handling these articles to ensure that the release of dust is kept to a minimum. To ensure that the release of fibres from these RCF articles is kept to a minimum, during installation and servicing we recommend that you use a HEPA filtered vacuum to remove any dust and soot accumulated in and around the fire before and after working on the fire. When replacing these articles we recommend that the replaced items are not broken up, but are sealed within a heavy duty polythene bag, clearly labelled as RCF waste. This is not classified as “hazardous waste” and may be disposed of at a tipping site licensed for the disposal of industrial waste. Protective clothing is not required when handling these articles, but we recommend you follow the normal hygiene rules of not smoking, eating or drinking in the work area and always wash your hands before eating or drinking.

This appliance does not contain any component manufactured from asbestos or asbestos related products.

The appliance data label is located on the convector box base and is visible when the fire front is removed.

Gas	Natural (G20)	Propane (G31)*
Inlet Pressure	20mbar (8in. w.g.)	37mbar (14.8in. w.g.)
Input - Max. (Gross)	6.95kW (23,710Btu/h)	6.2kW (21,150Btu/h)
Input - Min. (Gross)	4.8kW (16,380Btu/h)	5.8kW (19,790Btu/h)
Burner injector	Stereomatic Cat 82-442	Stereomatic Cat 92-200
Burner Test Pressure-Cold	17.5mbar \pm 0.75mbar (7.0in w.g. \pm 0.3in w.g.)	36 mbar \pm 0.75mbar (14.5in w.g. \pm 0.3in w.g.)
Inlet Pipe Connection	8mm	8mm
Pilot & Atmosphere Sensing Device	OP NG9040	OP LPG9226
Ignition	Integral Piezo Spark	Integral Piezo Spark
Aeration	Adjustable	Non-Adjustable

*When converted using kit 9500376

3. GENERAL INSTALLATION REQUIREMENTS

3.1 The installation must be in accordance with these instructions.

For the user's protection, in the United Kingdom it is the law that all gas appliances are installed by competent persons in accordance with the current edition of the Gas Safety (Installation and Use) Regulations. Failure to install the appliance correctly could lead to prosecution. The Council for the Registration of Gas Installers (CORGI) requires its members to work to recognised standards.

In the United Kingdom the installation must also be in accordance with:

- a) All the relevant parts of local regulations.
- b) All relevant codes of practice.
- c) The relevant parts of the current editions of the following British Standards:-

BS715	BS 1251	BS 1289 Part 1	BS 1289 Part 2
BS4543 Part 2	BS 5440 Part 1	BS 5440 Part 2	BS 5871 Part2
BS 6461 Part 1	BS 6461 Part 2	BS6891	
- d) In England and Wales, the current edition of the Building Regulations issued by the Department of the Environment and the Welsh Office. In Scotland the current edition of the Building Standards (Scotland) Regulations issued by the Scottish Executive. In Northern Ireland, the current edition of the Building Regulations (Northern Ireland) issued by the Department of the Environment for Northern Ireland. In the Republic of Ireland the installation must also conform with the relevant parts of:
 - a) The current edition of IS 813 "Domestic Gas Installations"
 - b) All relevant national and local rules in force.

Where no specific instructions are given, reference should be made to the relevant British Standard Code of Practice.

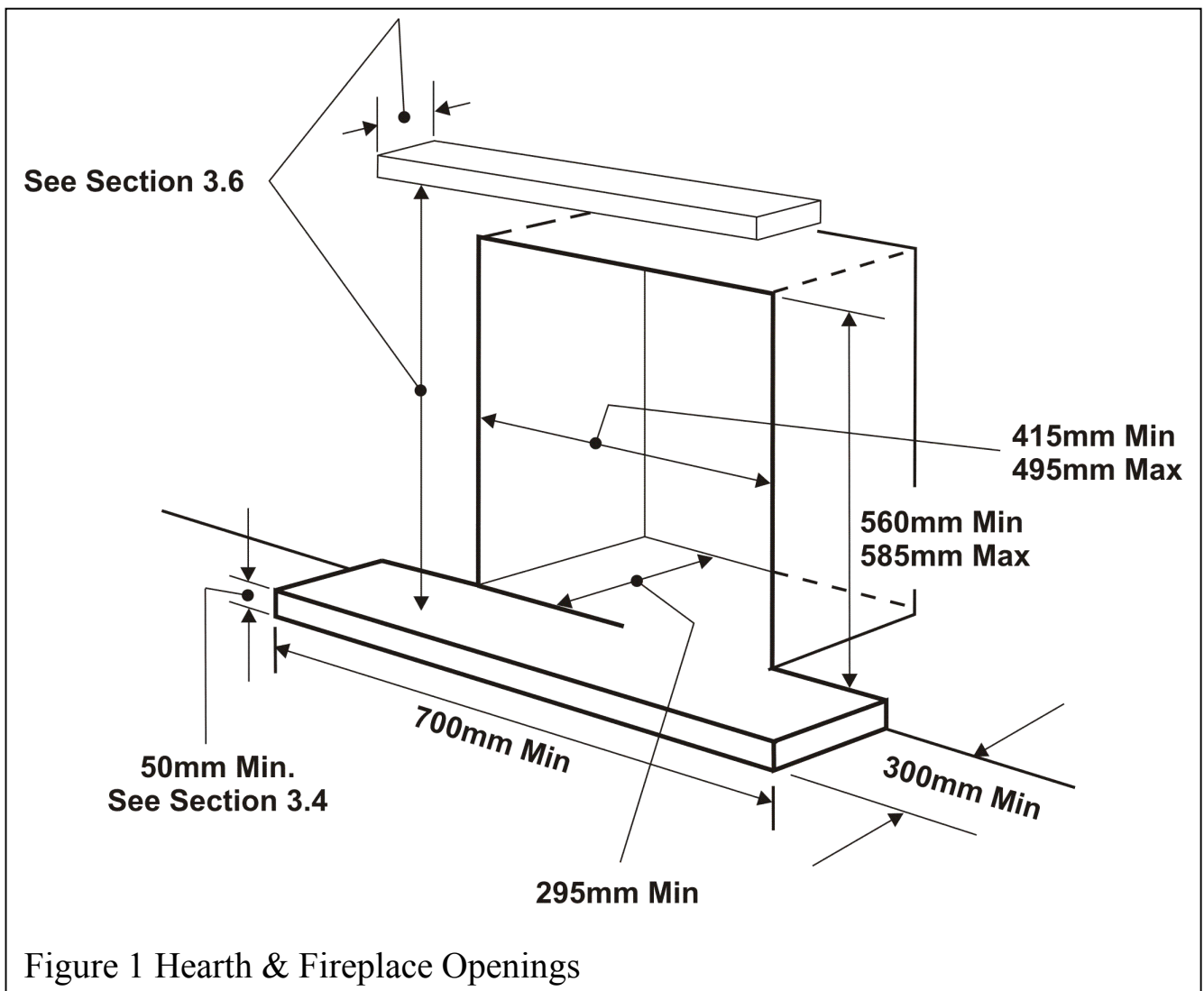
3.2 This appliance is designed to fit into 16" and 18" fireplace openings constructed in accordance with the requirements of BS 1251. Any chairbrick will require removal.

3.3 Normal adventitious ventilation is usually sufficient to satisfy the ventilation requirements of this appliance. In GB reference should be made to BS 5871 Part 2 and in IE reference should be made to the current edition of IS 813 "Domestic Gas Installations which makes clear the conditions that must be met to demonstrate that sufficient ventilation is available.

INSTALLER GUIDE

3.4 The hearth and fireplace opening requirements are shown in figure 1. Removal of the fireback and sufficient material behind the fireback may be required to give the necessary debris catchment space.

The appliance must be mounted behind a non-combustible hearth (N.B. conglomerate marble hearths are considered as non-combustible). The appliance can be fitted to a minimum class “O” – 150°C surround. The hearth material must be at least 12mm thick. The periphery of the hearth (or fender) should be at least 50mm above floor level to discourage the placing of carpets or rugs over it. The surface of the hearth must be sufficiently flat to enable the bottom of the front surround and the bottom front cover to be aligned horizontally. Any excessive unevenness (uneven tiles, Cotswold stone, etc.) should be rectified.

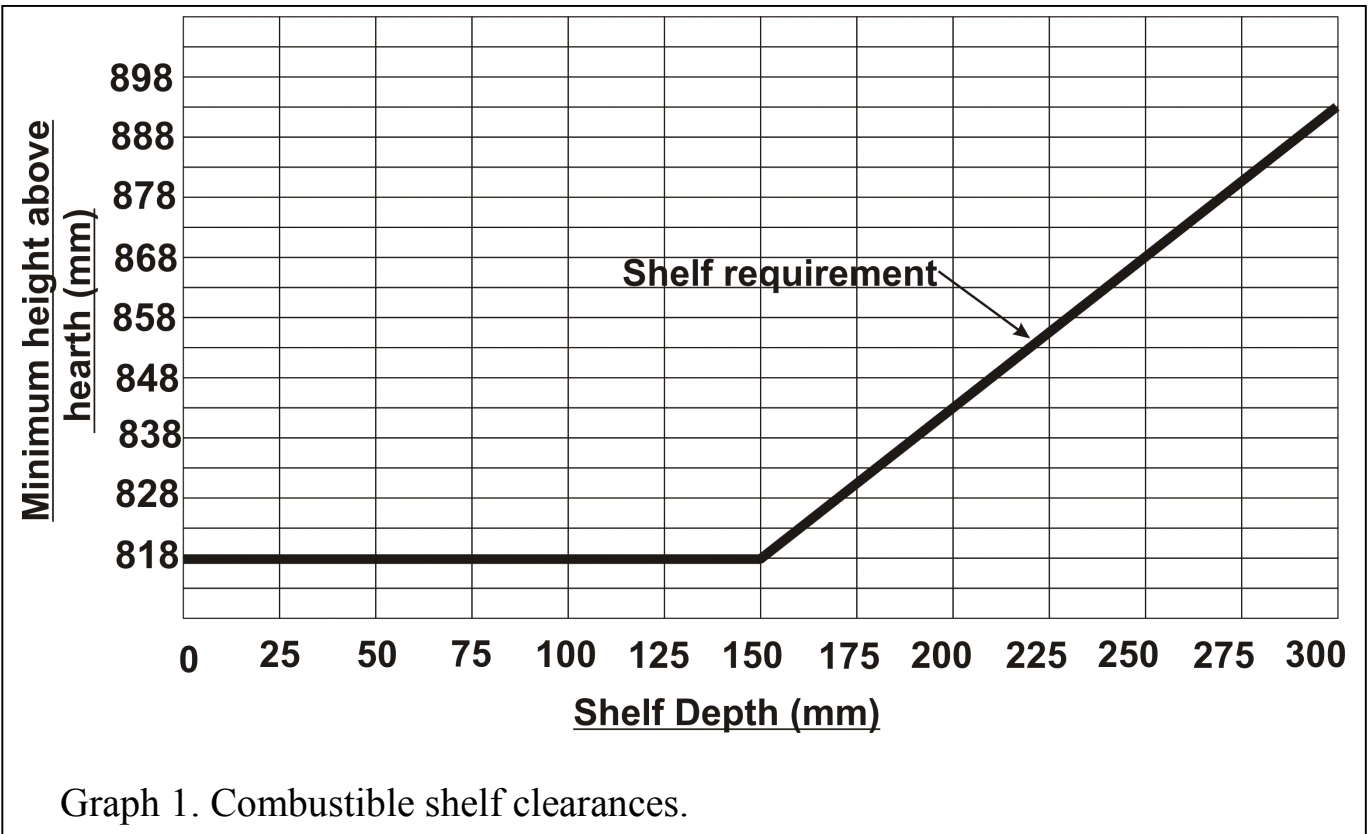


3.5 The appliance must not stand on combustible materials or carpets.

INSTALLER GUIDE

3.6 The minimum height from the top of the hearth to the underside of any shelf made from wood or other combustible materials is as follows (See also Graph 1).

- For a shelf up to 150mm deep: minimum height = 818mm
- For a shelf deeper than 150mm
818mm + 12.5mm for every 25mm shelf depth over 150mm.



3.7 Suitable flues and minimum flue sizes are as follows:-

It should be noted that, as with many appliances, sharp bends or horizontal runs in metal flues at the top of the system can be a cause of problems in these types of installation.

- 225mm x 225mm conventional brick flue.
- 175mm diameter lined brick or stone flue.
- 200mm diameter factory made insulated flue manufactured to BS 4543.
- 175mm diameter flue pipe. See BS 6461 Part 1 for suitable materials.
- Single wall, twin wall or flexible flue liner with a minimum diameter of 125 mm. The materials to be used are stainless steel or aluminium as specified in BS 715. The liner must be sealed to the surrounding area above the fireplace opening and to the top of the chimney. An approved terminal must be fitted. Note: The inner and outer convection box restrictor plates must be removed for liners with a diameter of 125mm. For larger diameter liners removal of the restrictor plates may be necessary depending on the results of the spillage test.

INSTALLER GUIDE

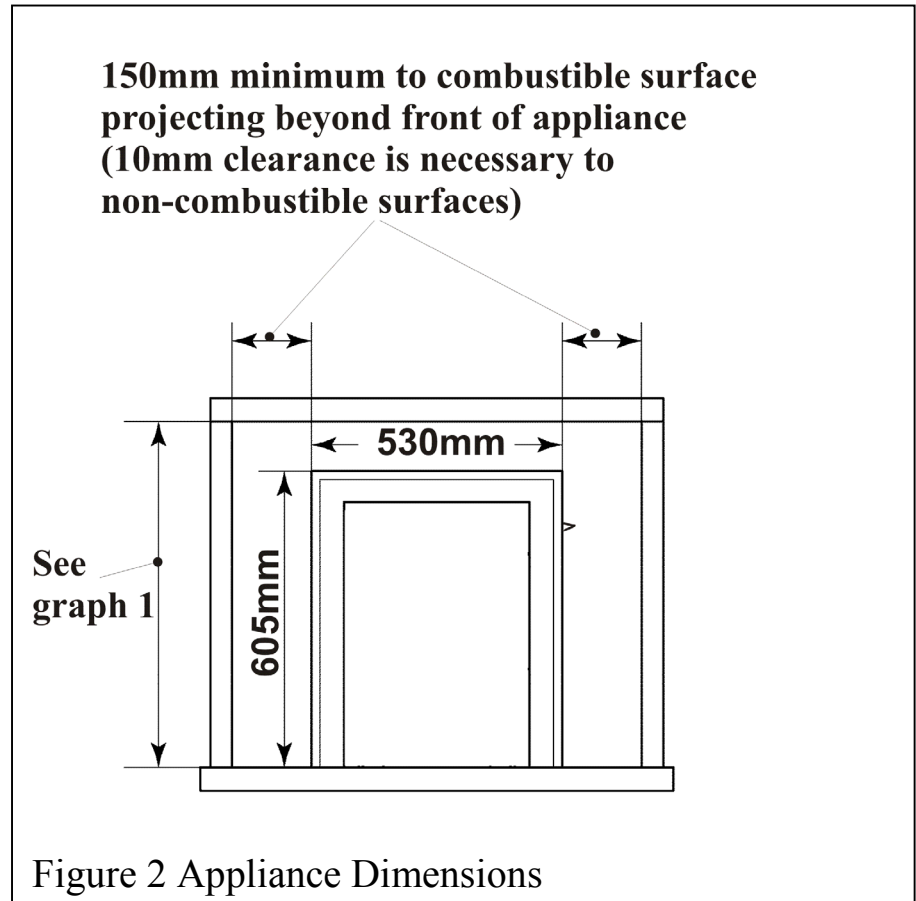
- 3.8** The flue must conform to BS 5440 Part 1 in design and installation. The flue measured from the bottom of the fireplace opening to the bottom of the terminal shall be not less than 3m in actual vertical height. When calculated in accordance with BS 5440 Part 1 Annex A the minimum **equivalent** height of the flue shall be 2.0m of 125mm dia. pipe.
- 3.9** The flue must not be used for any other appliance or application.
- 3.10** Any chimney damper or restrictor should be removed. If removal is not possible, they must be secured in the open position.
- 3.11** If the appliance is intended to be installed to a chimney that was previously used for solid fuel, the flue must be swept clean prior to installation. All flues should be inspected for soundness and freedom from blockages.
- 3.12** If the fireplace opening is an underfloor draught type, it must be sealed to stop any draughts.
- 3.13** The front face of the fireplace should be reasonably flat over the area covered by the convection box top and side flanges to ensure good sealing. These faces should be made good if necessary. The fireplace floor should be reasonably flat to ensure that a good seal with the convection box can be made.
- 3.14** Note that soft wall coverings (e.g. embossed vinyl, etc.) are easily affected by heat. They may scorch or become discoloured when close to a heating appliance. Please bear this in mind when installing.
- 3.15** This appliance must not be installed in any room that contains a bath or shower or where steam is regularly present.
- 3.16** An extractor fan may only be used in the same room as this appliance, or in any area from which ventilation for the appliance is taken, if it does not affect the safe performance of the appliance. Note the spillage test requirements detailed further on in this manual. If the fan is likely to affect the appliance, the appliance must not be installed unless the fan is permanently disconnected.
- 3.17** Propane gas appliances must not be installed in a room that is built entirely below ground level (see BS 5871 Part 2).
- 3.18** If the appliance is to be fitted against a wall with combustible cladding, the cladding must be removed from the area covered by the convection box outer surround flanges. The cladding must also not touch the flanges. We suggest that the

INSTALLER GUIDE

actual convector box be used as a template to mark the area for combustible cladding removal and that this area is increased by at least 2mm all round.

3.19 The minimum allowable distance from the outside of the convection box surround side flanges to a corner wall having combustible material or any other combustible surface which projects beyond the front of the appliance is shown in figure 2.

3.20 Proprietary terminals must comply with BS 715 or BS 1289. Any terminal or termination must be positioned in accordance with BS 5440 Part 1 to ensure that the products of combustion can be safely dispersed to the outside atmosphere. Where the appliance is connected to an unlined brick chimney it is generally unnecessary for the chimney pot to be replaced or for a terminal to be fitted unless the flue has a diameter smaller than 170mm.



3.21 The appliance is fitted with an A.S.D (Atmosphere sensing device). If the appliance closes down after a period of operation for no apparent reason, the consumer should be informed to stop using the appliance until the installation and appliance have been thoroughly checked. The A.S.D will shut the appliance down if an unacceptable amount of harmful products of combustion accumulate. Under no circumstances should the A.S.D be altered or bypassed in any way. Only a genuine manufacturers replacement part should be fitted. The individual A.S.D components are not replaceable.

3.22 A fireguard complying with BS 8423 should be fitted for the protection of young children, the elderly, or the infirm.

INSTALLER GUIDE

4. PACK CONTENTS

The pack contains:

- 1 Convection box complete with burner assembly and front surround
- 1 Ceramics pack containing
 - 1 Front coal
 - 1 Ceramic fuel matrix
 - 2 Packs of top dressing coals
- 1 Smoke match tube
- 1 Remote control handset
- 1 PP3 battery
- 4 AA batteries
- 3 Lengths of adhesive foam seal
- 1 Length of floor sealing tape
- 4 Fibre plugs
- 4 Woodscrews
- 2 Fire retaining cables
- 2 Cable clamps
- 2 Eyebolts
- 1 Literature pack
- 1 Nut & olive for 8mm inlet pipe
- 1 "T" connector
- 1 Bottom fire front casting and "Ash pan" cover

Carefully remove the contents. Take special care in handling the ceramic components. Check that all the listed parts are present and in good condition.

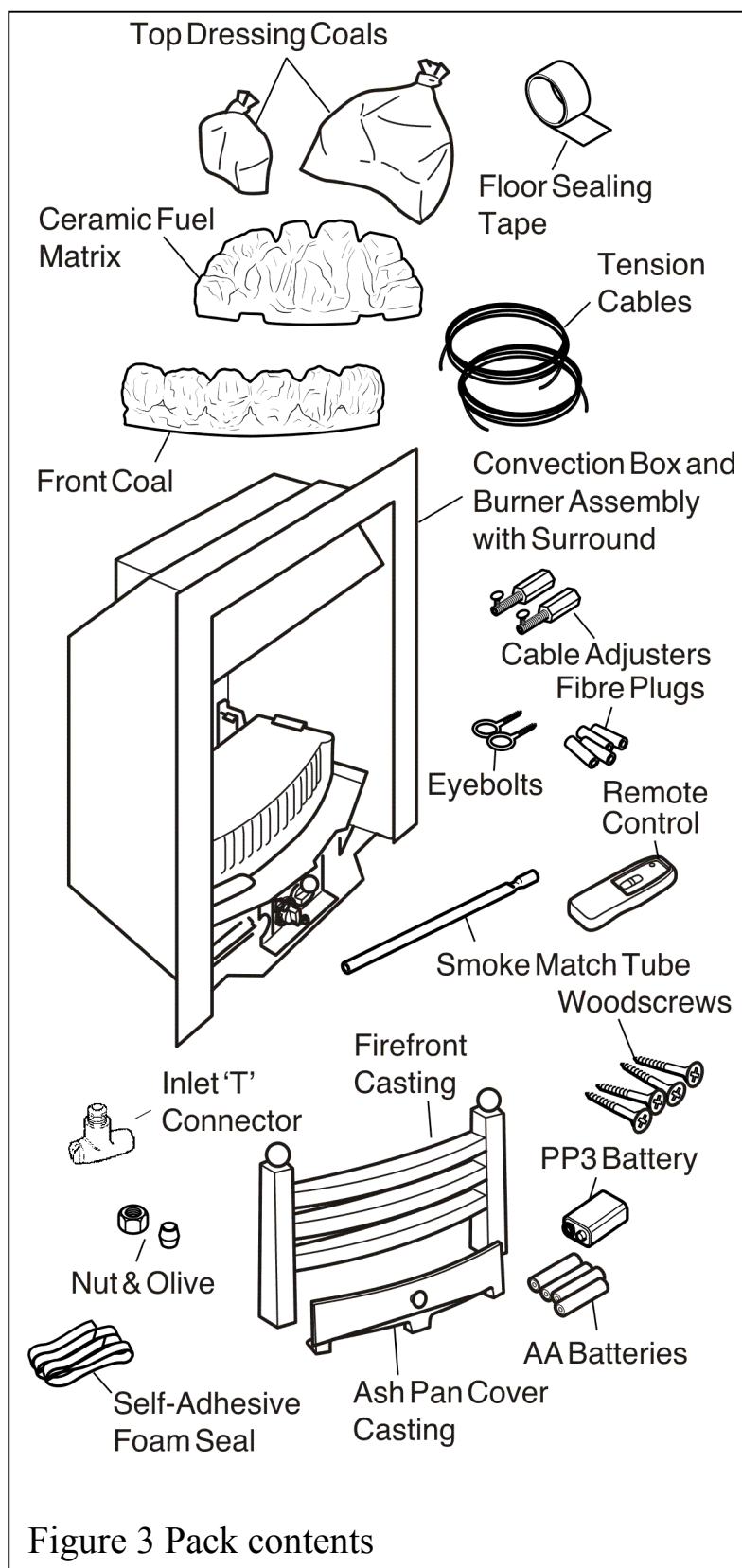


Figure 3 Pack contents

INSTALLER GUIDE

FIREPLACE CHECK

5.1 Fireplace physical requirements

5.1.1 Fireplace size

The fireplace must comply with the requirements described in section 3.4. This will probably entail removing the fireback and infill material behind the fireback. The area shown in figure 1 must be kept clear of obstructions.

5.1.2 Fireplace general condition

The fireplace floor should be reasonably flat to ensure that the convection box can be installed without it rocking and so that a good seal can be made at the bottom front of the box. The front face of the fireplace should be reasonably flat over the area covered by the convection box top and side flange seals to ensure good sealing. These faces should be made good if necessary. If the appliance is to be fitted against a wall with combustible cladding, the cladding must be removed from the area covered by the convection box outer surround. The cladding must also not touch the surround flanges. We suggest that the actual surround is used as a template to mark the area for combustible cladding removal and that this area is increased by at least 2mm all round.

5.1.3 Soundness for appliance attachment

Two primary methods of retaining the appliance are provided: -

- 1) By fixing the convection box front flanges.
- 2) Using concealed tension cables fixed to the rear of the fireplace opening.

Method 2 is provided for instances where drilling holes in the front surface of the fireplace surround is unacceptable to the customer or otherwise impractical.

The methods are detailed in section 8 of this manual. Before selecting the retention method, consult with the customer.

Method 2 is strongly recommended where the appliance is to be fitted against marble in order to prevent any danger of the marble cracking due to drilling. However, if method 1 must be used with a marble surround, be aware that it is unwise to attempt to drill into marble without the proper tools and equipment.

5.2 Fireplace flue pull.

Close all doors and windows in the room in which the appliance is to be installed. After confirming with a match that smoke is drawn into the flue, light a 13 gram smoke pellet and check that there is a definite flow through the flue. Verify outside that the smoke exits from one terminal only and that the termination is suitable. Observe, where possible, upstairs rooms and loft spaces for signs of escaping smoke indicating a defective flue. If there is not a definite flow warm the flue for a few minutes and repeat the smoke pellet test. If there is still no definite flow the flue may need remedial work – **Do not fit the appliance until there is a definite flow through the flue.**

INSTALLER GUIDE

6. GAS SUPPLY CONNECTION

A nut and olive are provided for an 8mm pipe inlet connection to the 'T' connector at the bottom front of the appliance. The 'T' connector can be rotated to allow a connection from any direction. The 'T' connector includes a valve for isolating the gas supply and a pressure test point.

The supply pipe must be rigid material. Flexible pipe must not be used.

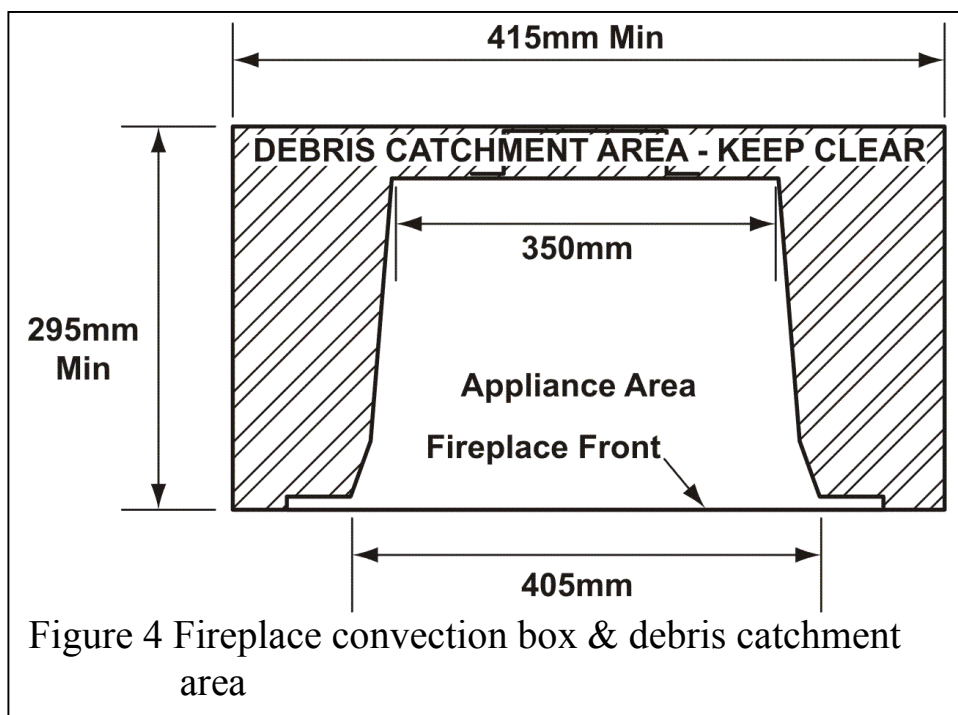
This appliance is designed for a concealed supply pipe connection routed through the opening at the back of the convection box.

Before the appliance is fitted into the fireplace it will be necessary to extend the supply line so that it will project through the hole in the back of the convection

box and run to the 'T' connector at the front. The pipe run from the supply line up to the rear opening in the convection box must be kept away from the area which will be taken by the convection box when it is installed (See figure 4).

Note that the centre of the appliance inlet 'T' connector is 20mm above the fireplace floor.

The inlet 'T' connector should be fitted to the supply pipe at this stage. The access opening at the rear of the convector box is sized to accept the "T" connector.



INSTALLER GUIDE

7. PREPARING APPLIANCE FOR INSTALLATION

- 1 Detach the decorative front surround from the convection box. The surround is attached to the convection box flanges by 8 magnetic plates. Make sure these do not get lost.
- 2 Detach the burner from the convection box by removing one nut. Lift the burner unit clear.
- 3 Pierce the grommet at the back of the convector box to allow the supply pipe to pass through it. The grommet should envelop the pipe. If the hole is larger than the pipe, seal it with tape.
- 4 Only for installations having a flue liner of 125mm (See section 3.7)

1. Detach the outer restrictor plate by removing four screws (See fig. 5).

2. Detach the inner restrictor plate by removing one screw (See fig. 5).

5. Three strips of self adhesive foam sealing material are supplied. Remove the protective backing from the seals and fit them to the rear of the convector box top and side flanges (See figure 6). Ensure that there is no gap between the seals where they meet and that there is full contact with the fireplace front.

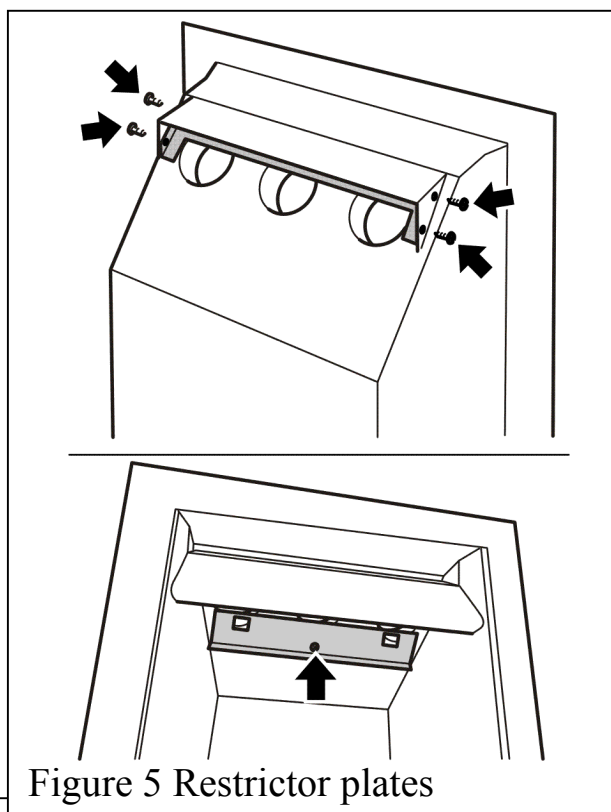


Figure 5 Restrictor plates

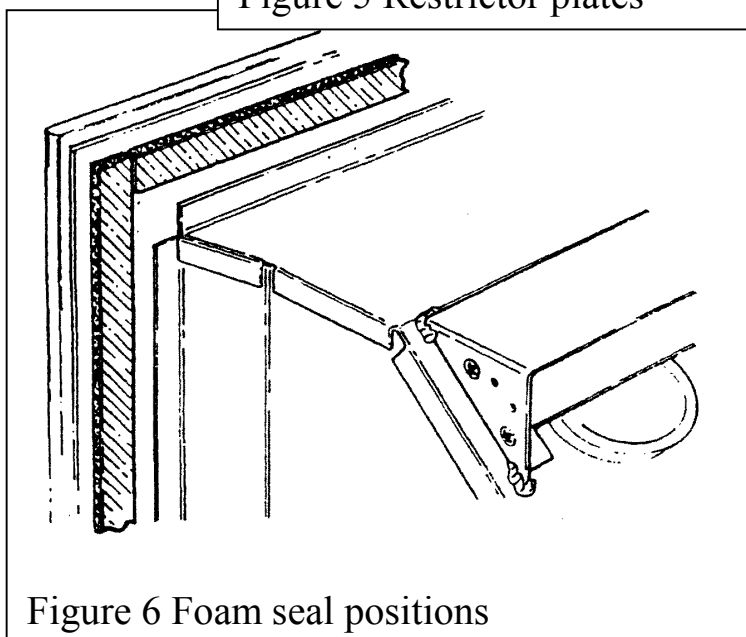


Figure 6 Foam seal positions

INSTALLER GUIDE

8. CONVECTION BOX INSTALLATION

8.1 Method 1 - Front Fixing to Fireplace Surround

This method is not advised where the appliance is to be fitted against a marble surround due to the danger of the marble cracking when drilling.

However, if this method must be used with a marble surround, take extreme care and be aware that it is unwise to attempt to drill into marble without the proper tools and equipment.

1. Make sure that the fireplace front surround area is sound enough to take the rawlplugs and woodscrews. If necessary, make sound with a suitable cement.
2. Place the convection box centrally in the fireplace in the position in which it is to be permanently installed feeding the supply pipe through the pierced hole in the rear seal.
3. Mark the fireplace front surround through the four fixing holes in the side flanges of the convection box. See figure 7.
4. Remove the convection box. Drill four holes in the fireplace front surround at the marked positions using a no.12 masonry drill.
5. Insert a rawlplug into each hole.
6. Place the convection box back in position in the fireplace.
7. Fit a woodscrew through each hole in the convection box flanges and tighten to seal the box to the fireplace surround.

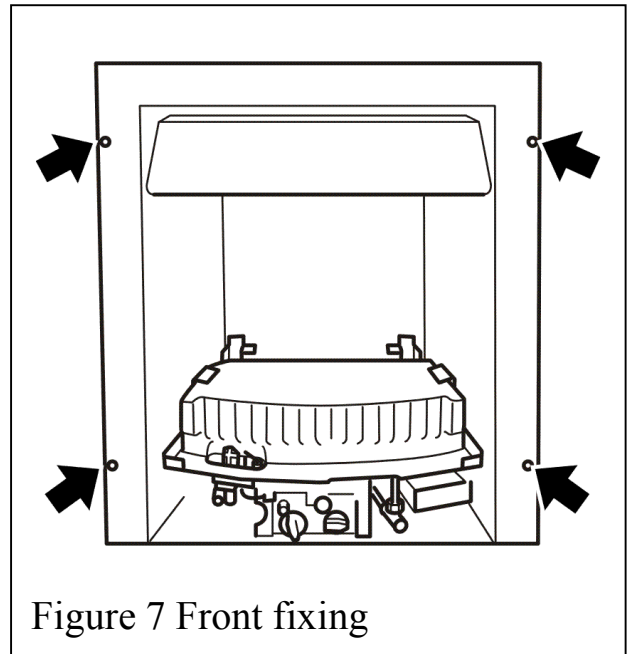


Figure 7 Front fixing

8.2 Method 2 - Cable Retention

1. Make sure that the relevant areas at the fireplace back are sound enough to take the eyebolts. If these areas have deteriorated due to prolonged use they should be made sound with a suitable cement.
2. Drill two holes in the rear wall of the fireplace for the eyebolt plugs. The holes should be drilled in the positions shown in figure 8 using a no.12 masonry drill. The holes should be equidistant each side of the centre line of the fireplace to ensure that the appliance finishes centrally in the opening when tension is applied to the cables.
3. Insert a fibre plug into each hole. Use the fibre plugs supplied with this appliance - **Never use plastic plugs instead of the fibre plugs supplied.** Screw the eyebolts into the plugs. Make sure that the bolts are secure.
4. Place the convection box unit close to the fireplace but allow sufficient access into the fireplace opening so that the cables can be threaded through the eyebolts and returned through the back of the convection box. Insert the convection box into the fireplace feeding the supply pipe through the pierced hole in the rear grommet.

INSTALLER GUIDE

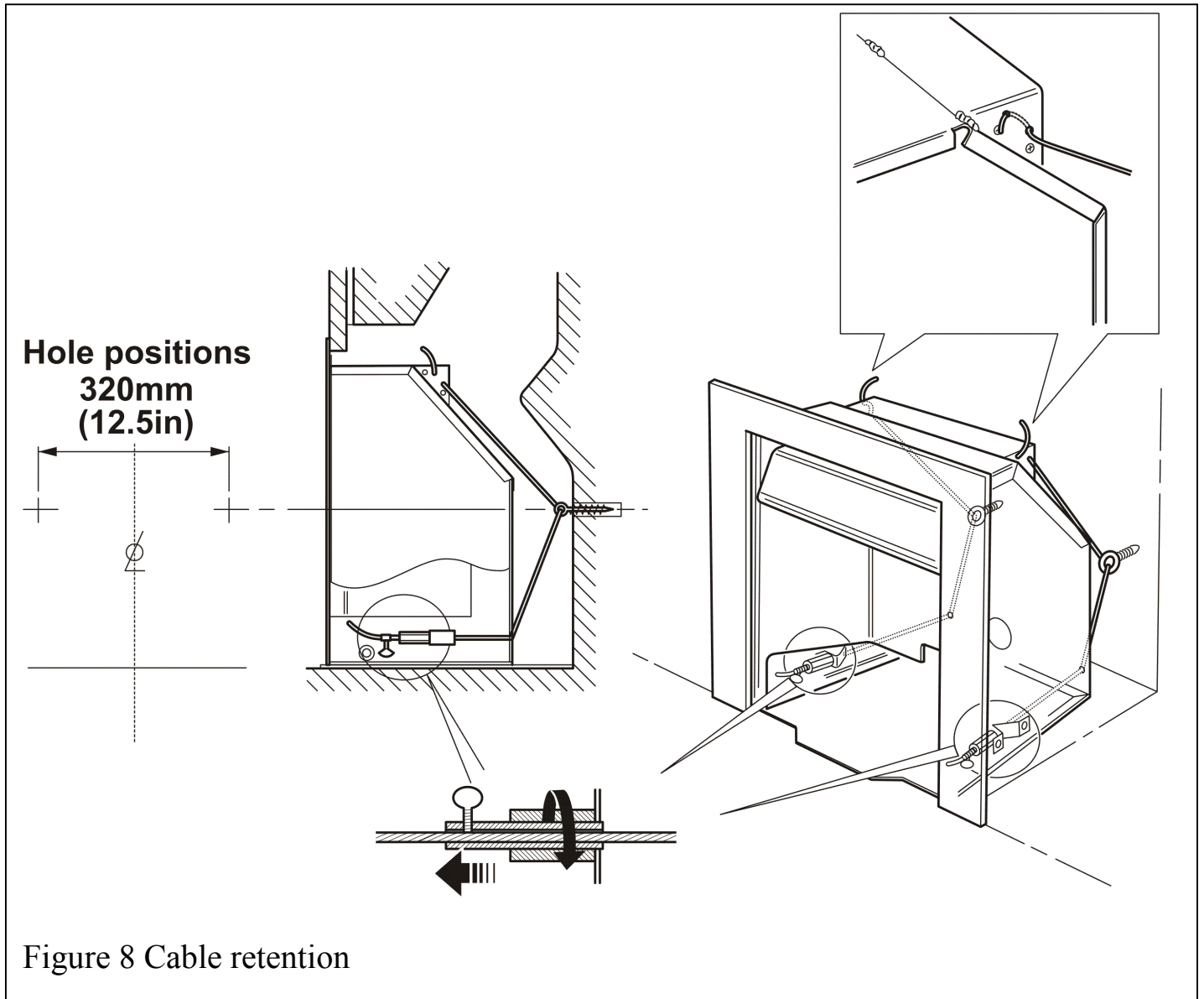


Figure 8 Cable retention

5. The convection box has two holes at each end of the debris deflector (See figure 8). Insert one end of each cable (one cable each side) from the back through the lower of the two holes and return the end through the upper of the holes. See figure 8. Give the cables a pull so that they grip against the debris deflector sides.
6. Thread the cables through the eyebolts. Return the cables through the holes near the bottom of the convection box back panel and through the “V” shaped brackets near the bottom of the convection box sides (See figure 8).
7. Place the convection box fully back into the fireplace opening so that it is sealed against the fireplace front surround.
8. Fit a cable retainer over the bottom end of each cable.
9. Pull each cable taut. Push the cable retainers hard up against the V brackets. Tighten the screws in the retainers so that they clamp the cables in position. Apply tension to the cables by turning the hexagonal adjusters by hand (See figure 8).

INSTALLER GUIDE

10. Inspect the installation of the convection box against the fireplace surround. If the convection box is aligned squarely and the sealing is satisfactory, fully tighten the cable retainers.

11. If the convection box is not correctly aligned, release the tension on the cables by slackening the screws and turning the hexagonal adjusters fully anticlockwise. The convection box should then automatically realign itself. Pull each cable taut again and push the cable retainers back against the “V” brackets. Again, tighten the screws in the retainers and apply tension to the cables by turning the hexagonal adjusters clockwise as far as possible.

12. Keep the free length of the inside the convection box so that they are available to allow easy removal and refitting of the appliance during subsequent service calls. ***Do not cut off the free lengths of cable.***

8.3 Sealing Floor Front - All installations

Using the floor sealing tape supplied, seal the bottom of the convection box to the fireplace and hearth floor - See figure 9.

Make sure that the whole length of the front edge of the convection box is fully sealed.

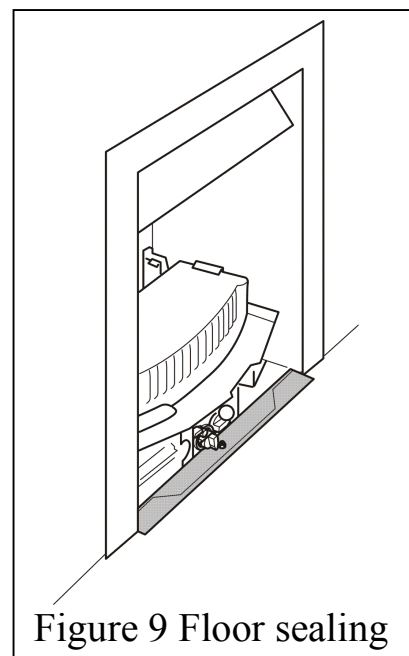


Figure 9 Floor sealing

INSTALLER GUIDE

9. BURNER & SUPPLY PIPE INSTALLATION

9.1 Burner & Supply Pipe Installation

The burner is produced from a soft ceramic material and should be handled carefully. There are two sets of burner ports. One set are located on the top face of the burner, and the other, on the front face. Each unit is flame tested before it leaves the factory, and as a result, some slight discoloration may be evident around the burner ports. There may also be some slight surface cracking evident on the burner, which is completely normal and is not detrimental to performance. The burner is retained by two clamps and set in position before it leaves the factory.

1. Check that the injector is aligned straight and central to the venturi. Check that the pilot unit is clear of the front face of the burner by 2-4mm.
2. Refit the burner unit to the convection box with one nut.
3. Connect the supply line to the appliance.
4. Turn on the gas supply and pressure check the installation pipework for gas soundness. In the United Kingdom (GB) check in accordance with the current edition of BS 6891. In the Republic of Ireland check in accordance with the current edition of IS 813 “Domestic Gas Installations”.

9.2 Reference Pressure Check

The appliance is pre-set to give the correct heat input at the inlet pressure shown in section 2 of this manual. No adjustment is necessary.

1. Attach a pressure gauge to the pressure test point (see figure 10).
2. If closed, open the isolating valve at the inlet ‘T’ connector.
3. Follow the lighting procedure (described further on in this manual) to establish the pilot and then turn to maximum setting. Check the gas pressure against the setting pressures (see Appliance Data).
4. After checking, turn off the appliance. Remove the pressure gauge and replace the test point sealing screw.
5. Relight the appliance. Turn to the maximum output position and test around the sealing screw for gas soundness with a suitable leak detection fluid.

When the above checks have been completed close the isolating valve on the inlet ‘T’ connector and allow the fire to cool.

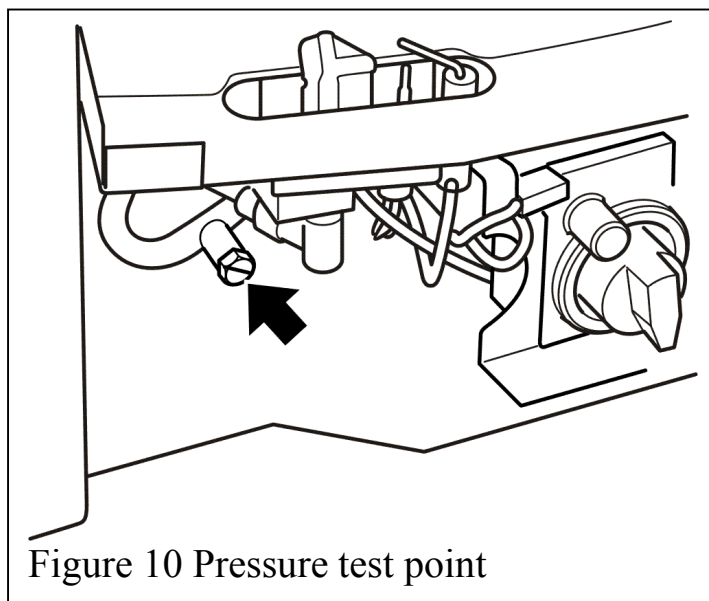


Figure 10 Pressure test point

10. CERAMIC COALS INSTALLATION

1. Remove the front coal from its protective packaging and position in front of the burner as shown in figure 11. The front coal should fit snugly between the burner and the two raised tabs on the front edge of the tray.

2. Remove the fuel matrix from its protective packaging and position on top of the burner as shown in figure 12. The bottom of the matrix rear wall should drop behind the two square flanges at the top of the rear legs. Ensure that the matrix sits flatly on the top of the burner.

3. There are two bags containing the top dress coals:-

- A bag with 4 square coals and 2 “finger” coals
- A bag with 15 random shape coals.

Open the bags and keep the different types of coals separate.

Do not let the dress coals fall into the holes and valleys in the fuel matrix and front coal.

3.1 Begin the coal build by placing a square coal in the centre of the front coal, ensuring that it bridges across to the matrix as shown in figure 13.

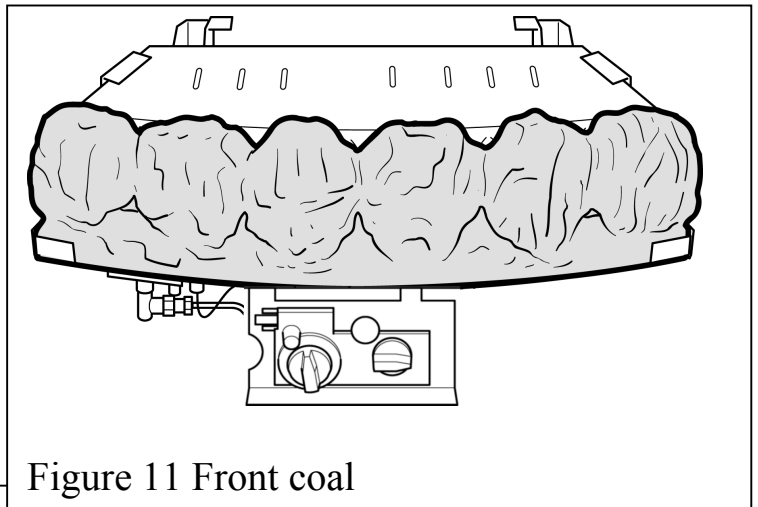


Figure 11 Front coal

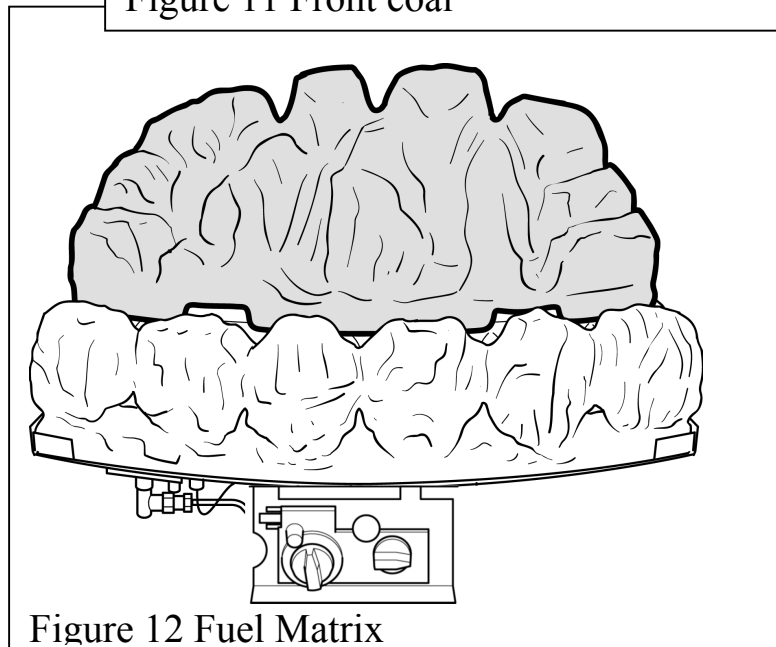


Figure 12 Fuel Matrix

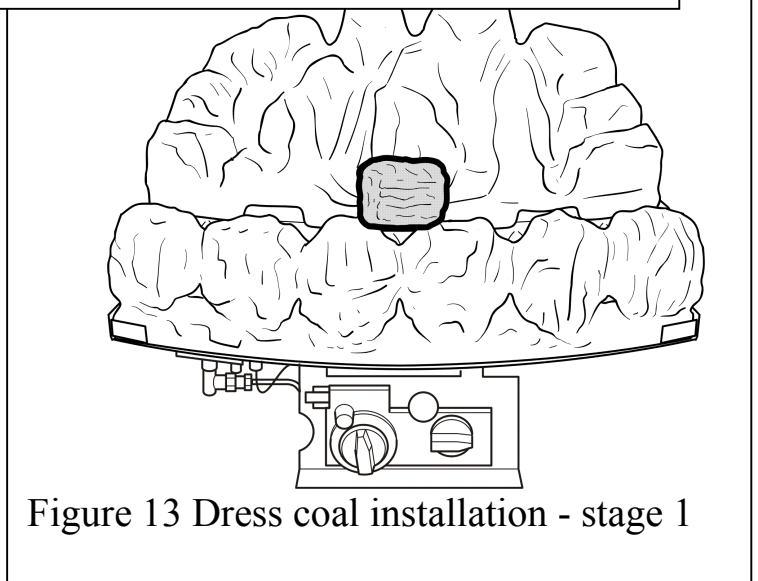


Figure 13 Dress coal installation - stage 1

INSTALLER GUIDE

3.2. Take four random coals and place along the front coal as shown in figure 14. Ensure that these coals bridge across from the front coal to the matrix.

In order to get the best flame effect, it is important that the coals are evenly spaced, and have roughly equal gaps between them.

3.3. Take both finger coals and place one at each end of the front row of coals as shown in figure 15. Make sure that they bridge across from the front coal to the matrix.

3.4. Take six random shaped coals and position as shown in figure 16. This second row of coals should rest on top of the first row, overlapping by 5-10mm. In order to get the best flame effect, it is important that the coals are evenly spaced, and have roughly equal gaps between them.

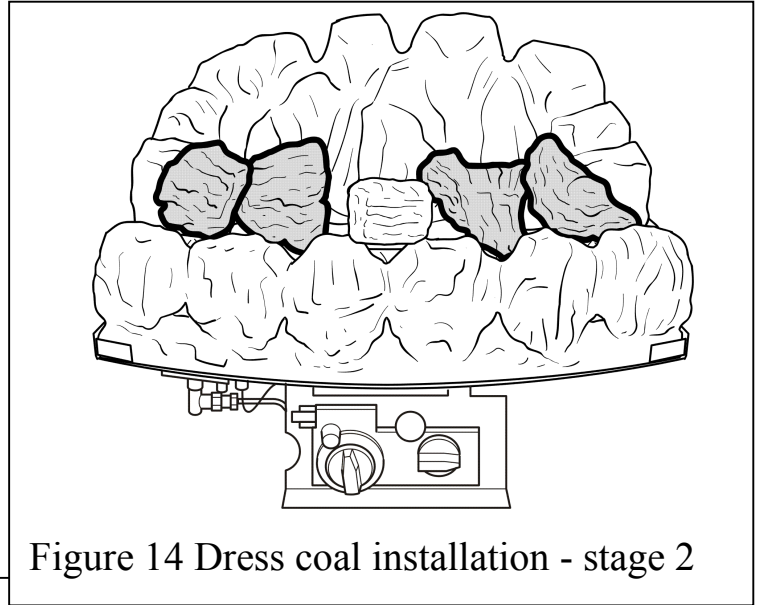


Figure 14 Dress coal installation - stage 2

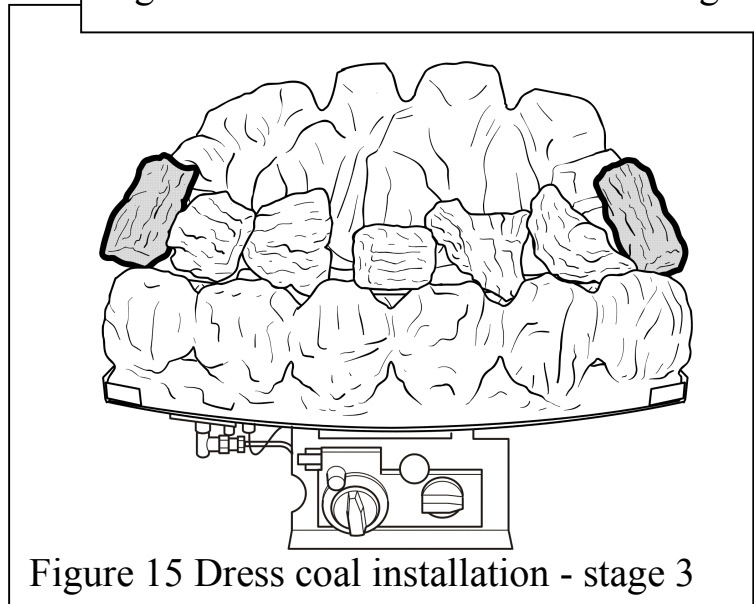


Figure 15 Dress coal installation - stage 3

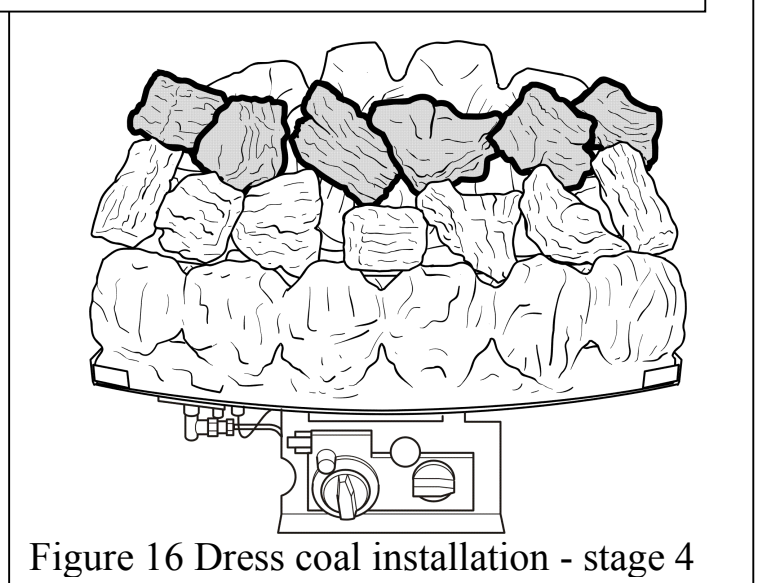


Figure 16 Dress coal installation - stage 4

INSTALLER GUIDE

3.5. NATURAL GAS

MODELS ONLY: Take **five** random shaped coals and arrange as shown in figure 17. These coals should overlap the previous row by 5-10mm. In order to get the best flame effect, it is important that the coals are evenly spaced, and have roughly equal gaps between them.

LPG MODELS ONLY:

Take **three** random coals and position in the centre of the matrix, spaced 10-15mm from each other to make the third row (See figure 17). Discard the two remaining random coals.

3.6. Finally, take the three remaining square coals and position at the back of the matrix as shown in figure 18. These coals should also overlap the previous row by 5-10mm. In order to get the best flame effect, it is important that the coals have roughly equal gaps between them.

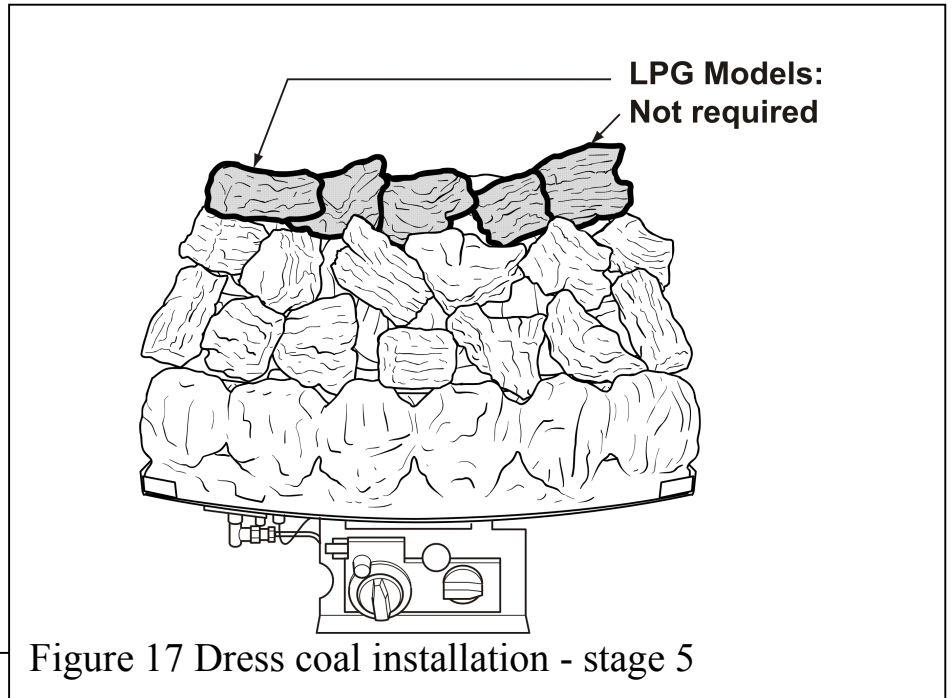


Figure 17 Dress coal installation - stage 5

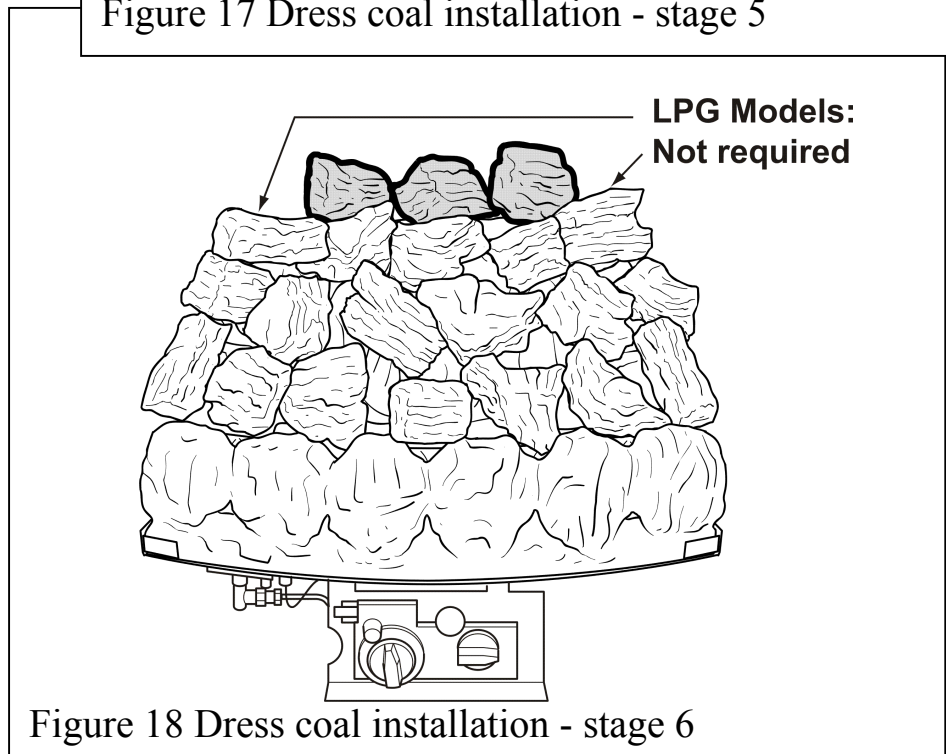


Figure 18 Dress coal installation - stage 6

INSTALLER GUIDE

11. FULL OPERATING CHECKS

- *When operating the fire for the first time, some vapours may be given off which could set off smoke alarms in the vicinity. These vapours are quite normal with new appliances. They are totally harmless and will disappear after a few hours use.*

- *This fire may be controlled manually, by use of the controls mounted on the appliance. The flame settings may also be controlled by means of the remote control handset*

11.1 Preliminaries

1. Remove the elastic band retaining the remote control receiver.
2. Slide the remote control receiver out of its retention housing. Remove the receiver top cover and fit the four AA batteries as indicated inside the receiver base. Replace the receiver top cover. Slide the receiver back into its housing. **The ultrasonic sensor must face towards the centre of the appliance and the supply cable must be routed as shown in figure 19.**

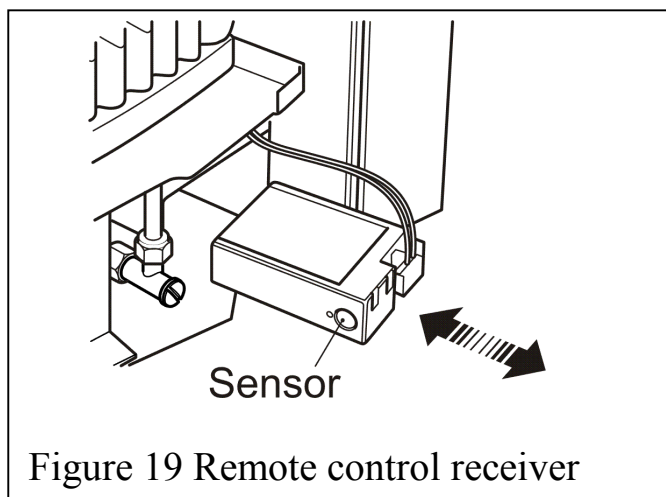


Figure 19 Remote control receiver

3. Fit the PP3 battery to in the remote control handset.
4. Open the isolating valve on the inlet connector.

11.2 Aeration control system

This appliance is fitted with an aeration control (See figure 20). Its operation should be noted and set as required when carrying out the operating checks and generally operating the appliance.

To operate the aeration control system, the following procedure should be followed:

- Allow the appliance to warm up, (for at least fifteen minutes) in the fully aerated position, with the aeration control lever pushed in to the locked position (See figure 20, & 6 in figure 21).

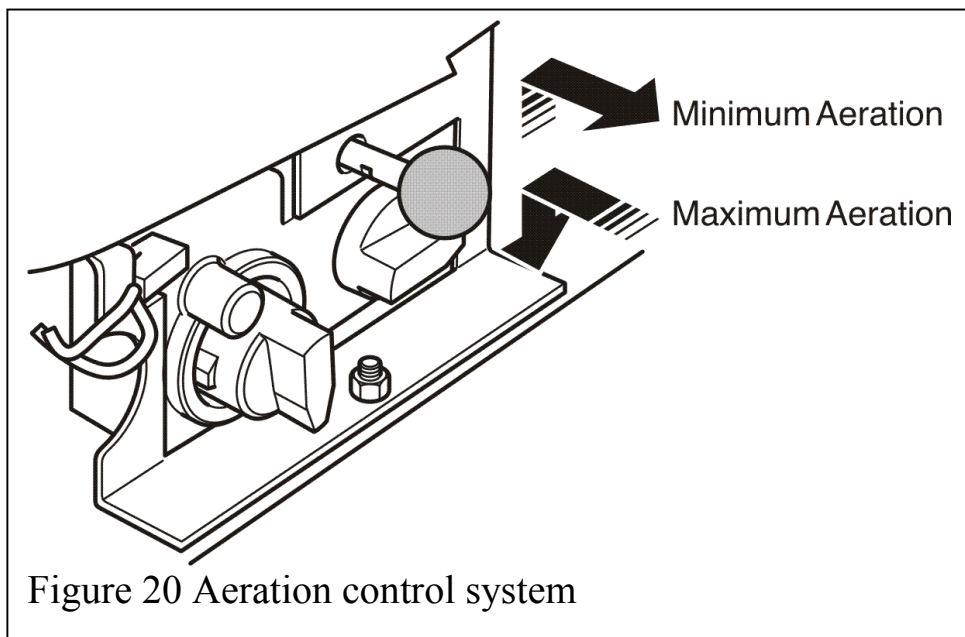


Figure 20 Aeration control system

INSTALLER GUIDE

- To switch to the minimum aerated position slightly lift the control lever. A spring mechanism will close the aeration shutter.
- Please note : It is advisable to run the fire in its fully aerated mode (control knob pushed in) at the beginning of each operation and if running at the minimum rate setting, or to burn off any carbon deposits which may have built up after prolonged use of the minimum aerated setting.

11.3 Manual controls check

1. Ensure that the pilot burner control knob is in the OFF position (1 in figure 21).

2. Depress the pilot burner control knob and turn anti-clockwise to the ignition position (2 in figure 21) to activate the piezo ignition system. A 'click' will be heard and the pilot should light. Observe if it is alight by looking through the slots to the left hand end of the front coals. If the pilot does not light immediately, repeat the above procedure, keeping the knob depressed for several seconds in order to purge any air from the system.

If after ten seconds, ignition has not occurred, turn the control knob back to the OFF position. Wait 30 seconds and then repeat the ignition procedure.

3. When the pilot is alight keep the knob depressed for ten seconds to allow the pilot flame to stabilise.

4. Release the knob. When the knob is released, the pilot should remain alight. If the pilot fails to remain alight, repeat the ignition procedure, this time keeping the knob depressed for a longer period of time.

5. Once the pilot light is established, light the main burner by turning the pilot burner control knob anti-clockwise to the "main burner on" position (3 in figure 21), and by then turning the main burner control knob to the high position (5 in figure 21).

6. Check the full range of heat settings by turning the main burner control knob slowly between the high position and the low position (4 in figure 21).

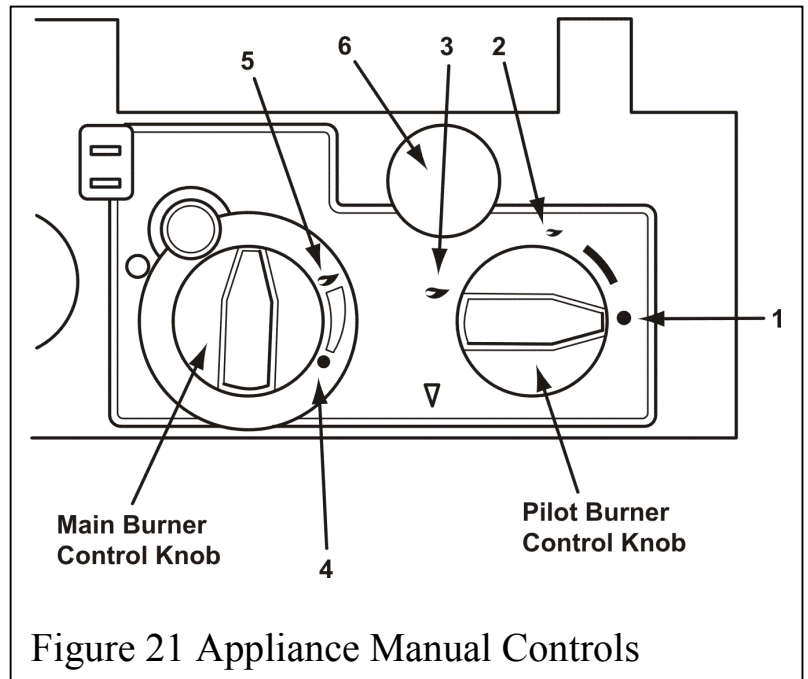


Figure 21 Appliance Manual Controls

11.4 Remote Control Check

1. Keep the pilot burner at the “main burner on” position. Check the full range of main burner heat settings using the remote control handset. In order to vary the flame effect between High and Low positions, press, and keep depressed, either the High button, or the Low button as appropriate (See figure 22).

The handset operates on ultrasonic principles, and as such it is not necessary to point it directly at the fire.

2. Use the handset to switch to the pilot only setting by depressing the Low button until only the pilot flame remains alight.
3. In order to disable the handset, but still leave the pilot alight, turn the pilot burner control knob to the ignition position (2 in figure 21).
4. Turn the fire off by rotating the pilot burner control knob to the OFF position (1 in figure 21).

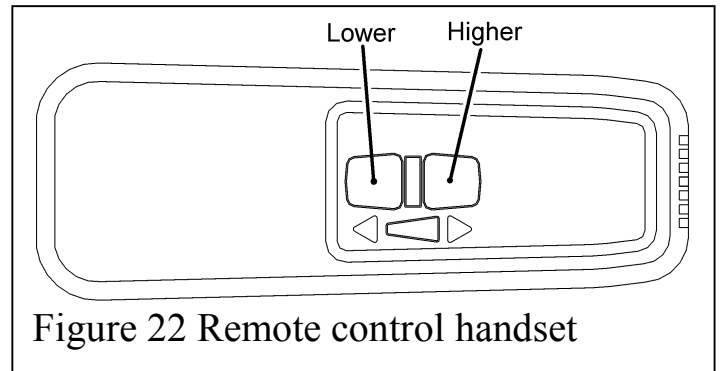


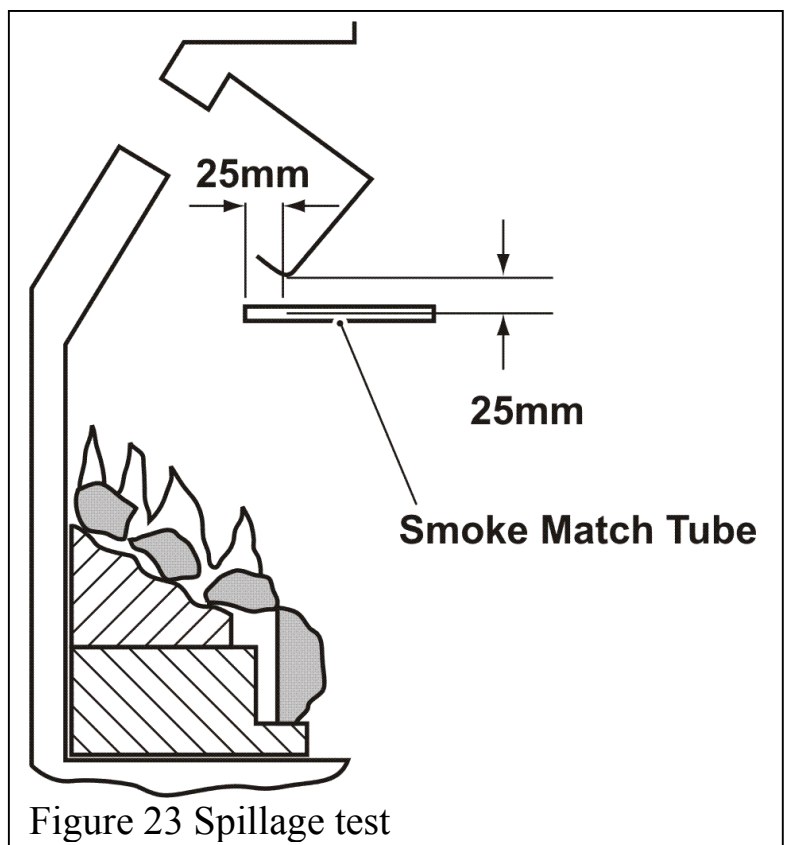
Figure 22 Remote control handset

INSTALLER GUIDE

11.5. Check for spillage

A spillage check must be made before leaving the installed appliance with the customer. Make this with all the ceramic coals in position.

1. Close all doors and windows in the room containing the appliance.
2. Set the aeration control to the fully aerated position.
3. Light the appliance and set at the maximum burning position.
4. Place the bottom fire front casting and “ash pan” cover in position.
5. Leave the appliance on for ten minutes.
6. The smoke match (inserted in the tube supplied) should be placed in the convection box 30mm from either end of the convection box opening as shown in figure 23.
 - The installation is satisfactory if smoke is drawn into the appliance.
 - If smoke is not drawn into the appliance leave the appliance alight at the maximum setting for a further 15 minutes and then repeat the test.
 - If the smoke is still not drawn into the appliance inspect the sealing to the fireplace surround.
 - If the sealing is satisfactory turn the appliance off, allow to cool, remove the internal restrictor plate (See figure 5) and retest. *This is not applicable for installations having a flue liner of 125mm since the restrictors should already have been removed (See section 3.7).*
 - If the smoke is still not drawn into the appliance turn the appliance off, allow to cool, remove the appliance from the fireplace, and detach the outer restrictor plate (See figure 5). Reinstall the appliance and retest. *This is not applicable for installations having a flue liner of 125mm since the restrictors should already have been removed (See section 3.7).*
 - If smoke is still not drawn into the appliance **disconnect the appliance and seek expert advice.**
7. If the above test is satisfactory repeat the spillage check with the aeration control set at the minimum aeration position.



INSTALLER GUIDE

8. If the above tests are satisfactory open all internal connecting doors, hatches etc. in the room. Keep all doors and windows that open to the outside of the window closed. Recheck for spillage as above. If an extractor fan is installed in the same room as the appliance or a connecting room check that spillage does not occur with the fan operating and all doors and other openings between the fire and the appliance open. If the smoke is drawn into the appliance continue with the installation. If the test is not satisfactory **disconnect the appliance and advise the customer of the cause of failure.**

11.6 Flame supervision & spillage monitoring system

The pilot unit includes a system that will automatically shut off the gas supply if the pilot flame goes out or if there is insufficient oxygen due to spillage or poor ventilation.

Check that the system operates properly as follows;

1. Light the appliance. Set to the maximum burning position and leave for one minute.
2. Set to the low burning position. Isolate the gas supply at the inlet "T" connector. The pilot and main burner will go out. **Note the time when the pilot goes out.** Listen for a snap sound at the gas tap. **Note the time when the sound is heard.** This sound is caused by an electromagnetic valve shutting off the gas supply through the tap. The valve is located in the body of the tap. The valve should operate **within 60 seconds of the pilot going out.** If the pilot does not operate within this time do not allow the appliance to be used until the fault has been corrected.

This monitoring system must not be adjusted, bypassed or put out of operation.

This monitoring system or any of its parts must only be exchanged using authorised parts.

3. Open the isolating valve on the inlet "T" connector. Screw in the end cap and test for leaks.
4. Turn the fire off.

12. APPLIANCE FINALISATION & REVIEW

1. Fit the decorative front surround to the front of the convection box using the eight magnetic plates roughly evenly spaced.
2. Place the bottom fire front casting and “ash pan” cover in position.
3. Visually inspect the appliance. Clean off any marks incurred during installation.
4. Advise the customer how to operate the appliance. Explain to the customer that the appliance has a flame failure and spillage monitoring system. Point out the explanation of this system shown in the Owner Guide under “Operating your fire”. Advise that if the fire goes out for any reason wait at least three minutes before relighting. Stress that if the monitoring system repeatedly shuts off the fire the appliance should be switched off and a specialist should be consulted.
5. Advise the customer that the Owner Guide should be read before operating the fire for the first time.
6. Advise the customer that, when cleaning the appliance, the methods given in the Owner Guide should be followed.
7. **Stress that no extra ceramic fuel effect pieces must be added over and above those supplied with the appliance and that any replacements must only be the authorised spares. Warn that ignoring this advice could cause incomplete clearance of the products of combustion with consequent health hazards.**
8. Advise the customer that the appliance will operate to its maximum potential if the flue is primed during the first 15-30 minutes of use. To do this simply set the fire to its highest setting. The aeration control should also be set at the maximum aeration position. This will also burn off any carbon deposits that may have formed during previous use. If using the appliance for long periods it is beneficial to change between settings. This will also help to remove any carbon deposits that may have formed during use.
9. Recommend that the appliance should be serviced by a competent person at least annually.
10. If the appliance is in premises in the United Kingdom occupied by a tenant, point out that, by law, a landlord must have any gas appliance, flue and pipework which is situated in a tenant’s premises checked for safety at least every twelve months.
11. Advise that the fire may give off a slight odour while new. This is quite normal and it will disappear after a short period of use.
12. Inform the customer that the serial number for the appliance is located on the label at the front of the convection box.
13. Hand the literature pack with this guide to the customer.

13. SERVICING & PARTS REPLACEMENT

- Always turn off the gas supply before commencing any servicing (The appliance inlet “T” connector incorporates an isolating valve).
- Never attempt to inspect or remove the fire unless it has been allowed to cool for at least 15 minutes.
- Always test for gas soundness and spillage after servicing the appliance.
- It is recommended that, at least once a year, the appliance is disconnected and the fireplace opening checked and cleared of any debris.
- This product uses fuel effect and burner items containing Refractory Ceramic Fibres (RCF) which are man-made vitreous silicate fibres. Excessive exposure to these materials may cause temporary irritation to eyes, skin and respiratory tract. Consequently, it is important to take care when handling these articles to ensure that the release of dust is kept to a minimum. To ensure that the release of fibres from these RCF articles is kept to a minimum, during installation and servicing we recommend that you use a HEPA filtered vacuum to remove any dust and soot accumulated in and around the fire before and after working on the fire. When replacing these articles we recommend that the replaced items are not broken up, but are sealed within a heavy duty polythene bag, clearly labelled as RCF waste. This is not classified as “hazardous waste” and may be disposed of at a tipping site licensed for the disposal of industrial waste. Protective clothing is not required when handling these articles, but we recommend you follow the normal hygiene rules of not smoking, eating or drinking in the work area and always wash your hands before eating or drinking.

13.1 Annual Maintenance

- The coals should be removed and any sooting carefully brushed from the surface with a soft brush.
- The coal matrix should be removed and any debris shaken off.
- The burner should be removed from the convection box and any debris carefully removed using a soft brush. Inspect the burner for any damage and repair or replace if necessary. Please note surface cracking of the burner is quite normal.
- Check the venturi and injector for linting and clean if necessary.
- Clean any debris or carbon from around the pilot unit and check the correct operation of the gas control.
- Refit the burner into the convection box. Reconnect the gas supply and check the soundness of all gas connections.
- Refit the coals as described in section 10 of this guide “Ceramic coals installation”.
- Follow the lighting procedure and check for spillage as described in section 11 of this guide. If spillage is found the cause should be identified and remedied.

INSTALLER GUIDE

13.2 To remove the injector

1. Remove the bottom front cover and “ash pan” cover.
2. Remove the coals, fuel matrix and front coal.
3. Shut off the gas supply and disconnect the inlet at the “T” connector.
4. Detach the burner unit by removing the fixing nut.
5. Carefully invert the burner assembly ensuring that the ceramic surfaces are not damaged. Disconnect the injector/supply pipe union.
6. Place the burner assembly upright. Remove the injector.
7. Replace in the reverse order.

13.3 To remove the thermocouple & pilot unit

1. Remove the bottom front cover and “ash pan” cover.
2. Remove the coals, fuel matrix and front coal.
3. Shut off the gas supply and disconnect the inlet at the “T” connector.
4. Detach the burner unit by removing the fixing nut.
5. Disconnect the pilot gas feed pipe at the union with the pilot elbow.
6. Disconnect the H.T. lead from the pilot unit.
7. Disconnect the thermocouple from the gas valve.
8. Remove the screw securing the dust cage to the pilot/burner.
9. Carefully remove the dust cage and place aside.
10. Remove the second retaining screw and withdraw the pilot unit.
11. Replace in the reverse order.

Note: The pilot unit is an atmosphere sensing device. It must be replaced as a whole assembly. Its individual components are not separately replaceable.

13.4 To remove the gas valve unit

1. Remove the bottom front cover and “ash pan” cover.
2. Remove the coals, fuel matrix and front coal.
3. Shut off the gas supply and disconnect the inlet at the “T” connector.
4. Detach the burner unit by removing the fixing nut.
5. Carefully invert the burner assembly ensuring that the ceramic surfaces are not damaged. Disconnect the inlet pipe union, pilot supply union, manifold pipe union, H.T. lead, and thermocouple connecting nut from the valve end.
6. Remove two retaining screws and withdraw the valve from the front leg.
7. Replace in the reverse order.

13.5 To remove the convection box from the fireplace

1. Detach the decorative front surround from the convection box.
The surround is attached to the convection box flanges by 8 magnetic plates. Make sure these do not get lost.
2. Remove the bottom front cover and “ash pan” cover.

INSTALLER GUIDE

3. Remove the coals, fuel matrix and front coal.
4. Shut off the gas supply and disconnect the inlet at the “T” connector.
5. Detach the burner unit by removing the fixing nut.
6. If the convection box retention by front fixing screws (See section 8 Method 1) remove the screws.

If the convection box retention is by cables (See section 8 Method 2) slacken the hexagonal adjusters on the cable retainers and unscrew the thumbscrews to release the cables.

7. Refit the convection box as described in the relevant section of this guide.
8. Refit the rest of the components in the reverse order to their removal.

INSTALLER GUIDE

14. FAULT FINDING CHART

Problem	Remedy
Pilot light will not light when ignition button is pressed.	<p>Check that the lighting instructions are being followed.</p> <p>Check that the spark is jumping between the electrode and the pilot head. If not, check for debris around the electrode, condition of the wiring and any possible short circuit.</p> <p>Check that the gas is passing through the pilot injector. If not, check pipe, injector and tap for possible blockage and rectify.</p> <p>Purge the system.</p>
Pilot light ignites, but will not establish after holding the tap knob in for ten seconds.	<p>Ensure that the pilot flame is impinging on the thermocouple probe.</p> <p>Check that the thermocouple butts are tight on both the tap and the pilot unit assembly.</p> <p>If steps 1) and 2) do not cure the problem it is likely that the thermocouple is faulty. Remove and replace.</p>
Fire operates well, but 'pops'.	<p>Popping is usually caused by the coals being placed too closely together. Ensure that the coal arrangement instructions given in this manual have been followed precisely.</p> <p>If the injector has been removed or disturbed during the installation, ensure that the compression joint has been assembled correctly and is gas tight.</p>
Excessive sooting.	<p>A small amount of sooting can occur on any fire of this type, especially those operating on LPG.</p> <p>Excessive sooting can be caused by incorrect arrangement of the coals. Ensure that the coal arrangement instructions given in this manual have been followed precisely.</p> <p>The position of the injector is set in the factory, but if this has been disturbed during installation, then it should be reset. The correct position is when the injector points directly down the centre of the venturi. A blue flame with yellow tips should be produced in this position.</p> <p>Check the flue pull. A 'lazy' chimney will not exhaust all of the soot particles from the burner.</p> <p>Prolonged use of the minimum aeration setting on models with adjustable aeration. Return to the full aeration setting after cleaning.</p>

Chart continued on next page

INSTALLER GUIDE

Fire glows, but little or no flame is produced.	<p>This type of fire is designed to be efficient, and produce radiant heat in favour of expensive flames. The flames that are produced are 40-60mm long. If the flames are significantly shorter than this after the fire has been allowed to burn on MAX for 30 minutes, check the following.</p> <p>Ensure that the injector is clear from obstruction.</p> <p>Ensure that the correct injector is fitted (see gas data).</p> <p>Measure the gas pressures with the fire operating at MAX setting. The reading at the pressure test point should be as laid down in the gas data section of this manual. If the pressure is low, check the gas run for kinks, fiction producing fittings etc. Do not install more than 1.2 metres of 8mm gas line with natural gas fires.</p> <p>Check that any restrictor elbow is fully open.</p>
---	---

15. SHORT LIST OF SPARES

Description	Makers Part number
Main injector – Natural gas	0576519
Main injector - LPG	0568869
Pilot unit - NG	0576589
Pilot unit - LPG	0577309
Ceramic burner	0576649
Front coal	0576669
Coal matrix	0576679
Pack of dress coals	0576689
Lint guard/dust cage	0567619
Piezo Unit	0525339
Remote control handset	0572149
Receiver unit	0579479