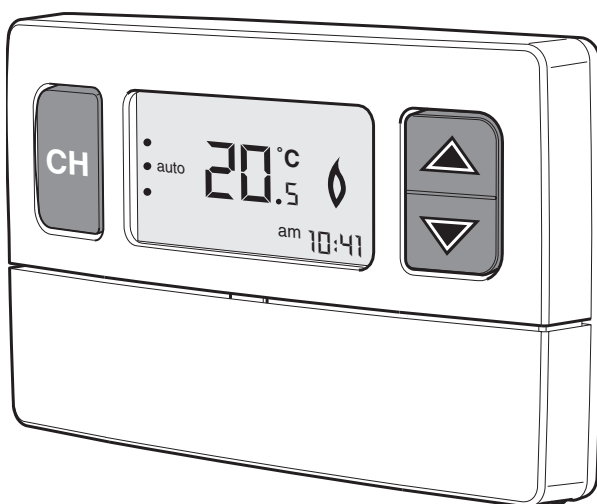


Users manual

ModuLink 250 RF - Single channel modulating programmable room thermostat



24 Volt only



Buderus

**Please read thoroughly before operating the unit
See boiler installation instructions for more details**

Overview (fig. 1)

Item 1. Central Heating button **CH**

With this button you select whether you want the thermostat **on**, **off** or on **auto**.

on: The boiler is now continuously 'on'.
Set the temperature with the  and  keys.

auto: The boiler will now operate according to the set CH program.

off: Continuously off, but the frost protection programme is active. This means that when the temperature drops below 5° Celsius the boiler will be activated.

Item 2. Display

The display shows the current setting of the thermostat (fig. 2, item 5), the current temperature during standby (fig. 2, item 1), and the current time (fig. 2, item 2).

Item 3. and buttons

Use these buttons to adjust the temperature. This is permanent when the thermostat is set to 'on'. When the thermostat is set to 'auto', you can temporarily change the temperature of a setpoint. The thermostat reverts back to its CH program when the next set point begins. The buttons can also be used to navigate within the menu.

Item 4. OK button **ok**

This button is pressed to confirm/save settings.

Item 5. Cover

To open the cover, pull on the side.

Item 6. Batteries

The thermostat runs on two 1.5V type AA **Alkaline** batteries. The batteries will last for at least one year. A symbol of a battery (fig. 2, item 4) will appear if the batteries should be replaced. Once the battery replacement is carried out, you need to reset the time. All other settings are kept.

Item 7. Menu button **m**

Press this button to enter and exit the menu.

Item 8. Back button

This button allows you to go back one menu level.

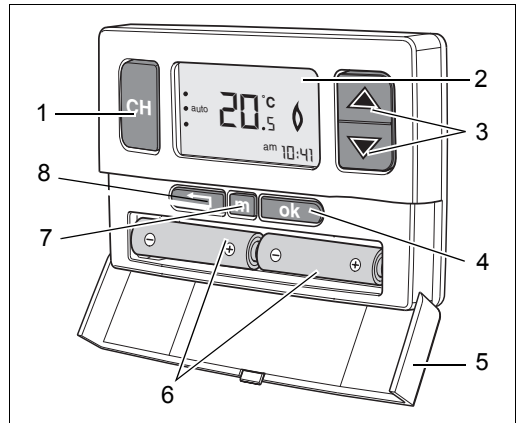


fig. 1 Thermostat overview

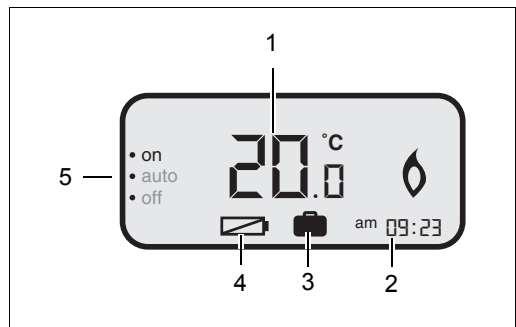


fig. 2 Display

Setting the time

Press **m**. Press **ok** and use the **▲** and **▼** keys to set the hours. The range is from 0-24 hours or 1-12 a.m. and 1-11 p.m.. Once you scrolled through the 24h format using the up key, it changes to the 12h format.

Press **ok** again. Use the **▲** and **▼** keys to set the minutes and press **ok** to confirm. Press **m** to return to the regular display.

View/edit set point(s)

There are six set points possible. These set points are for a 24 hour period and are repeated each day of the week. Factory setting:

6:30 – 21.0° Celsius
 8:30 – 15.0° Celsius
 12:30 – 21.0° Celsius
 14:00 – 15.0° Celsius
 16:30 – 21.0° Celsius
 22:30 – 15.0° Celsius.

1. Press **m** to enter the menu.
2. Press **▼** to go to the 2nd menu item 'CH prog' then press **ok**.
3. Press **ok** again to view/edit the set points. Use the **▲** and **▼** keys to scroll through the set points.
4. Press **ok** when you want to edit a set point.
5. Use the **▲** and **▼** keys to adjust the time and confirm with **ok**.
6. Adjust the temperature using the **▲** and **▼** keys and confirm with **ok**.
7. Press **m** to return to the regular display.

Current set point

To see what the current set point is press the CH button once.

Insert a set point

1. Press **m** to enter the menu.
2. Press **▼** to go to the 2nd. menu item 'CH prog' then press **ok**.
3. Press **▼** to go to 'insert' then press **ok**.

4. Use the **▲** and **▼** keys to enter the time and press **ok**.
5. Use the **▲** and **▼** keys to enter the desired temperature and press **ok**.
6. Press **ok** to insert another set point as starting from step 4 or press **m** to return to the regular display.

The set point will automatically arrange itself to the correct position within the CH program.

Delete a set point

1. Press **m** to enter the menu.
2. Press **▼** to go to the 2nd menu item 'CH prog' then press **ok**.
3. Press **▼** to go to 'delete' then press **ok**.
4. Select the set point you want to delete using the **▲** and **▼** keys then press **ok**.
5. Press **ok** to delete another set point starting from step 4 or press **m** to return to the regular display.

Holiday function

The holiday function allows you to set the temperature to frost protection (5° Celsius) for up to 99 days. Afterwards the thermostat automatically reverts back to the CH program.

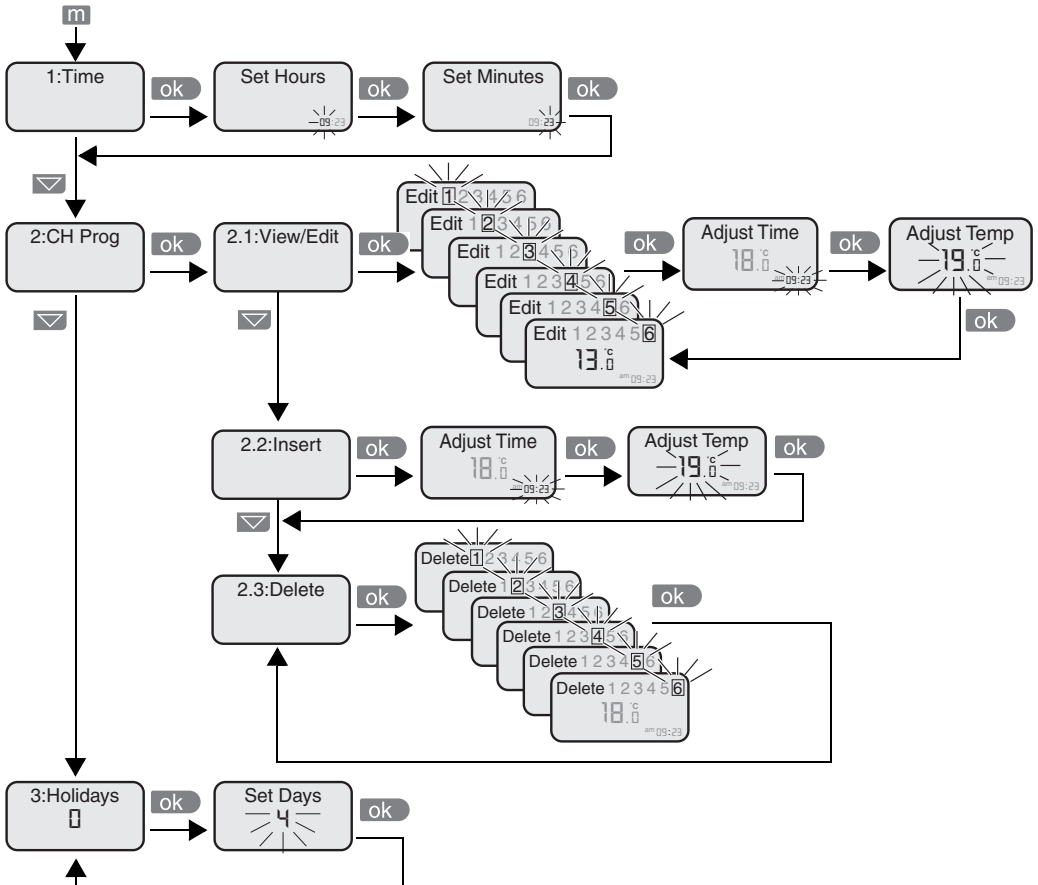
1. Press **m** to enter the menu.
2. Press **▼** to go to 'Holiday' then press **ok**.
3. Enter the number of days using the **▲** and **▼** keys then press **ok**.
4. Press **m** to return to regular display.

A suitcase can be seen in the display when the Holiday function is active (see fig. 2, item 3).

To terminate the holiday function set the number of days to '0'.

It is possible to temporarily interrupt the Holiday function. Set the thermostat to 'on' using the **CH** button. Set the thermostat back to 'auto' using the **CH** button to return to the Holiday function.

Menu overview:



This product complies to the following regulations:

- EC directives: Low Voltage Directive (73/23/EEC)
Electro Magnetic Compatibility Directive (89/336/EEC)
CE Marking Directive (93/68/EEC)
- Related Standards: BS EN607730-1.

Buderus

Buderus

Cotswold Way, Warndon, Worcester, WR4 9SW

Telephone: 01905 - 752 936 • Fax: 01905 - 753 130

Customer Services: Tel: 0870 - 421 5933

Technical Product Support: Tel: 0870 - 421 5944

Sales: Tel: 01905 - 752 640 • Fax: 01905 - 456 445/455 394

Returns: Tel: 01905 - 752 531 • Fax: 01905 - 455 392

Spares: Tel: 01905 - 752 576 • Fax: 01905 - 754 620

www.buderus-domestic.co.uk

Buderus is a trading name of BBT Thermotechnology UK Ltd.