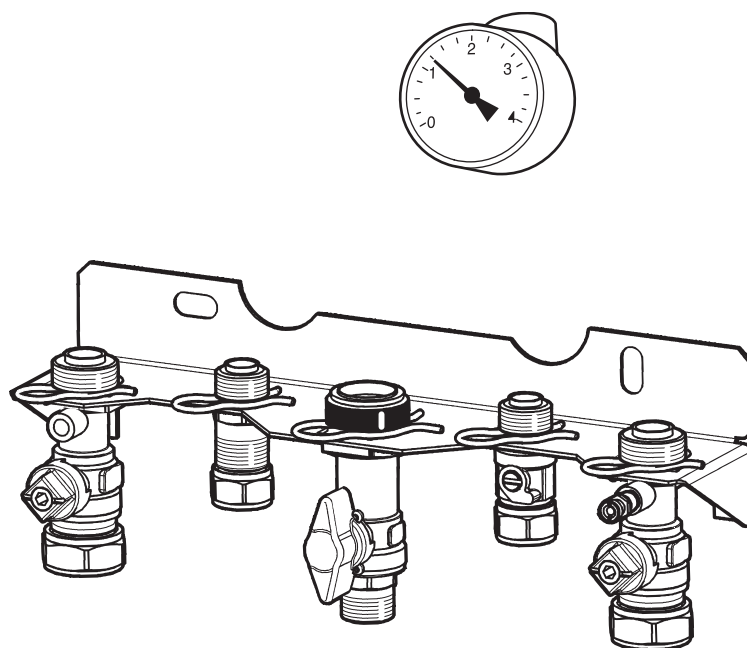


Installation instructions

Manifold assembly and pressure meter

Buderus 600 - 28C



Buderus

1 Hanging the boiler

The manifold assembly is located on top of the boiler.

- Attach the manifold assembly to the wall according to the 'Installation and servicing instructions of the 600 - 28C' at subsection 1.5 on page 10.

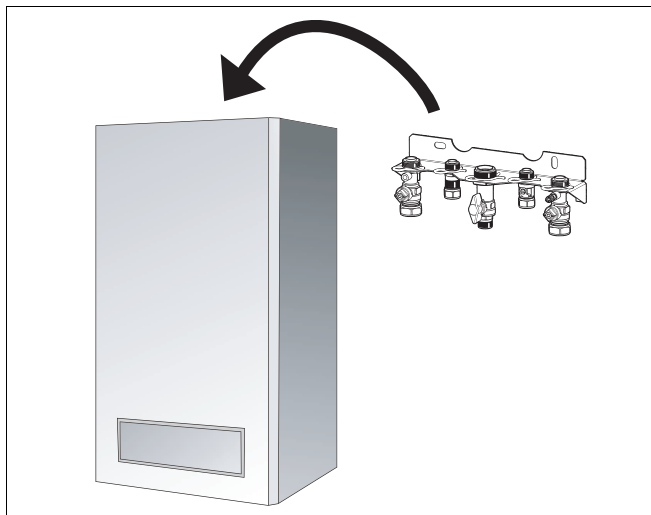


fig. 1 manifold assembly

2 Installing the pressure meter

Scope of delivery:

1. pressure meter
2. Installation instructions.

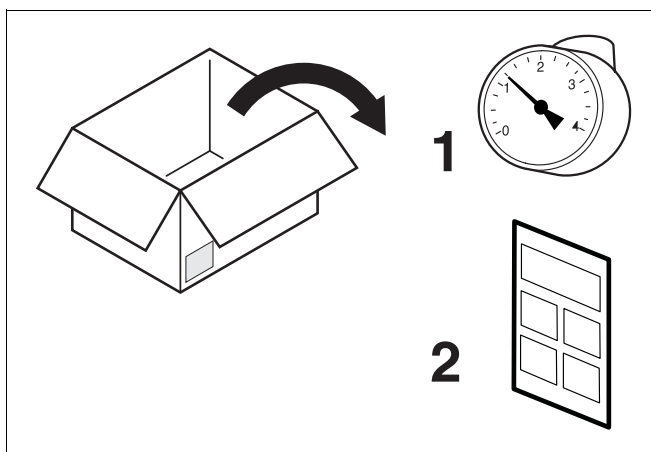


fig. 2 Scope of delivery

- Remove the safety pin (fig. 3, item 1).
- Remove the plug (fig. 3, item 2).
- Fit the pressure meter (fig. 3, item 3).
- Refit the safety pin.

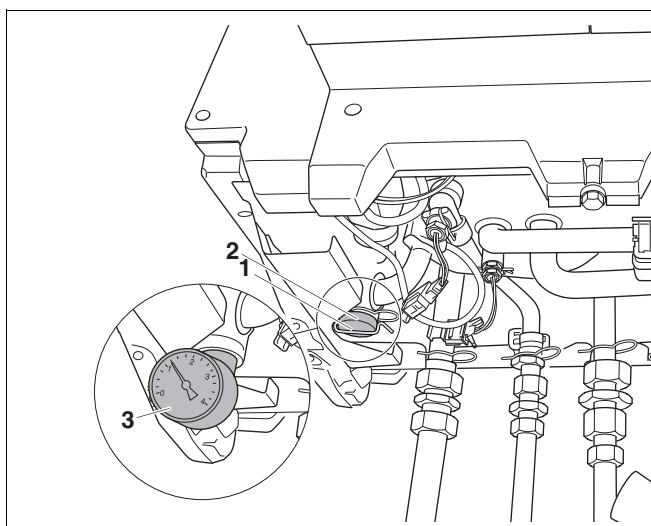


fig. 3 Install pressure meter