

This is an addendum to the installation and maintenance instructions of the Buderus 500 series 721.531A - 4500. Install the protection filter when making the pipe connections (see 1.6 pipe connections of the installation and maintenance instructions).

Protection filter

In the items supplied with the boiler is an extra protection filter. This protection filter protects the DHW sensor of your boiler.

- Disconnect the MCW from the hydro frame.
- Push the piping down, so there is enough room to fit the protection filter (see fig. 1).

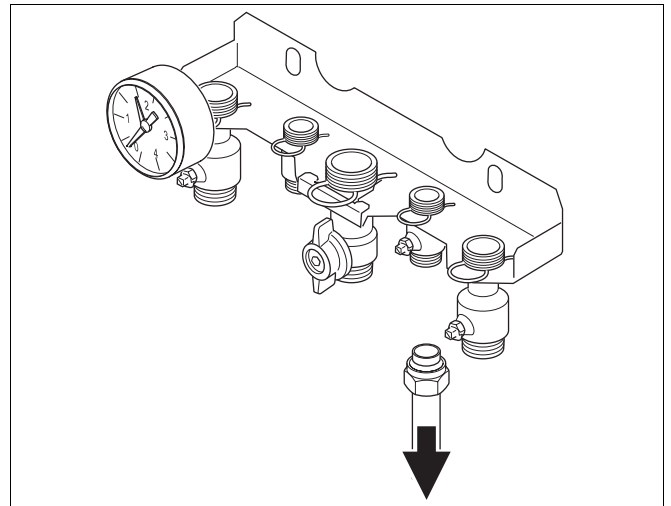


fig. 1 Make room between the MCW pipe and the hydro frame.

- Place the protection filter in the pipe (see fig. 2).

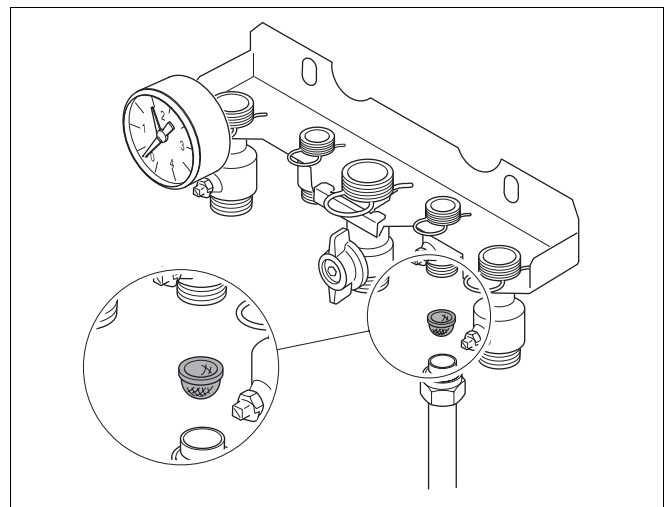


fig. 2 Place the protection filter in the MCW pipe

- Place the pipe back into its original position (see fig. 3).
- Tighten the swivel nut.

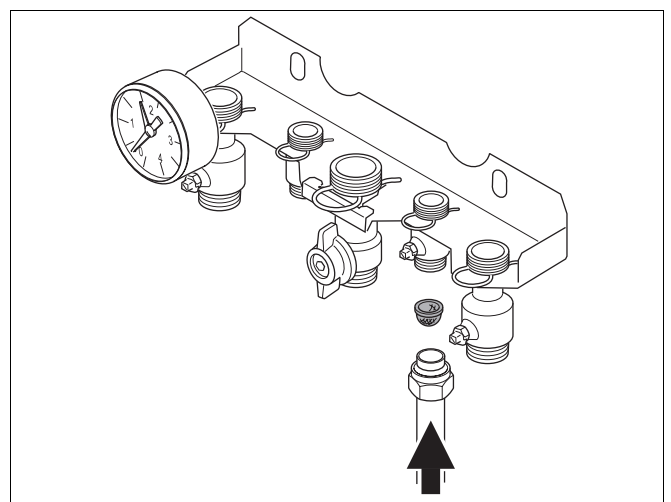


fig. 3 Reconnect the MCW pipe