



17562.0005.0

Spare parts list

Edition December 2000



Spare parts list

1 REPLACEMENT PARTS CATALOGUE

This catalogue includes all the replacement parts required for the maintenance and service of Biasi boilers. This edition of the catalogue supercedes all previous editions.

2 MODELS AND SPECIFICATIONS

Biasi produces a number of boilers to satisfy a wide range of user needs and installation requirements.

All boilers are wall mounted, with instantaneous operation and modulating heat regulation; that is, the amount of heat from gas combustion is automatically varied according to the heat required by the heating system.

Biasi boilers differ in two basic characteristics:

2.1 Maximum useful heating power during operation as a building heat source

Two models are available with different maximum useful heating power when used as a building heat source. Each of these models is identified by its own model number:

Models 24, 28

2.2 Mixed-type operation/operation as a building heat source only

Mixed-type boilers are used to heat water for use in a building heating system, and can also heat hot water for domestic use. This type of boiler alternates between the two operating modes, with the "domestic hot water" function taking precedence over the "building heat source" function.

The boilers for "central heating only" operation are identified with the letter "R".

3 MODEL IDENTIFICATION CODE/SERIAL NUMBER

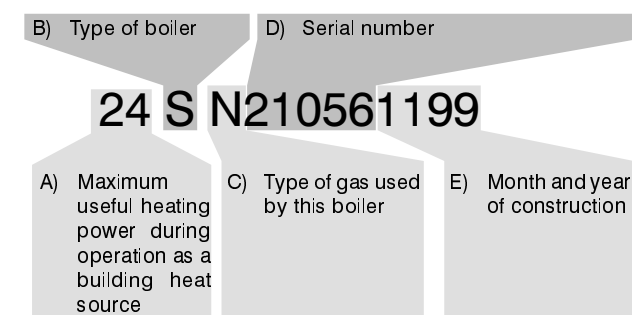
Every boiler produced by Biasi carries its own model identification code/serial number.

It is important for the service centre to mention this number when contacting the factory (the number must be listed on guarantee claims and service reports; when making requests for technical information, etc.).

The following is a breakdown of the model identification code/serial number and its meaning (reading from left to right):

- The maximum useful heating power during operation as a building heat source (see 2.1).
- The type of boiler according to its functions (see 2.2)
- The type of gas used by this boiler. The letter "N" is used for Natural; the letter "G" is used for liquefied petroleum gas (LPG).
- The first five numbers are the actual serial number.
- The last four numbers indicate the month (first two numbers) and the year of construction.

These numbers are used in this catalogue to distinguish between versions of the same model with different modifications.



4 REPLACEMENT PARTS CODE

Each currently available replacement part is uniquely identified by its own replacement parts code. The replacement parts code consists of a table code and a position code.

4.1 Table code

The table code is a sequence of letters and numbers which uniquely and clearly identify each table. The table code can be found on the upper right of each table (see 4.3).

A validity chart for the table is located at the bottom of the table. This chart lists the models covered by the table.

				24 SE	
				28 SE	

4.2 Position Code

The position code is a number which is used to identify a particular object on the table.

To make identification easier, position codes for kits have a different format from position codes for individual parts.

515	Position code for a kit (or assembly)	Position code for an individual part	125
-----	---------------------------------------	--------------------------------------	-----

A label can be found next to the position code. This label is used to provide additional information on the replacement part and makes identification of the part easier:

<i>A – Type of gas</i>			
515 _{G20}	125 _{G20}	G20 = Methane (natural gas)	

515 _{G30-G31}	125 _{G30-G31}	G30 – G31 = Butane – Propane	
------------------------	------------------------	------------------------------	--

B – Validity restrictions

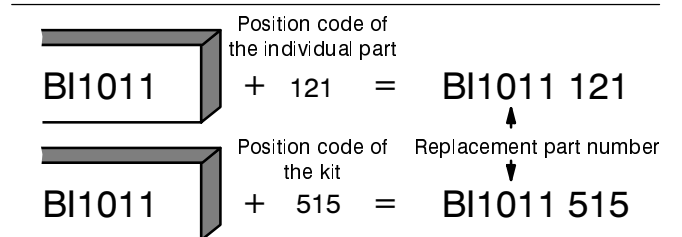
515 ⁽²⁴⁾	125 ⁽²⁴⁾	For model 24 KW, only	
---------------------	---------------------	-----------------------	--

515 ^(S)	125 ^(S)	For mixed-type models (S), only	
--------------------	--------------------	---------------------------------	--

4.3 Composition of the replacement part code

Each replacement part code includes a table identification code and a position code. A position code is only listed for replacement parts which are currently available.

The replacement part code consists of the table code (which can be found on the upper right of the table) plus the position code (in two formats: individual part or kit).



The components of a kit are enclosed in a broken line. A kit may contain other complete kits, or portions of other kits.

In some tables, a replacement part may be identified with an arrow and a complete replacement part code (table code + position code). This means that the part is available, but must be ordered with the code listed. Also, any explanatory notes must be read before ordering.

→ =BI1011 515

→ 24 S =BI1011 515

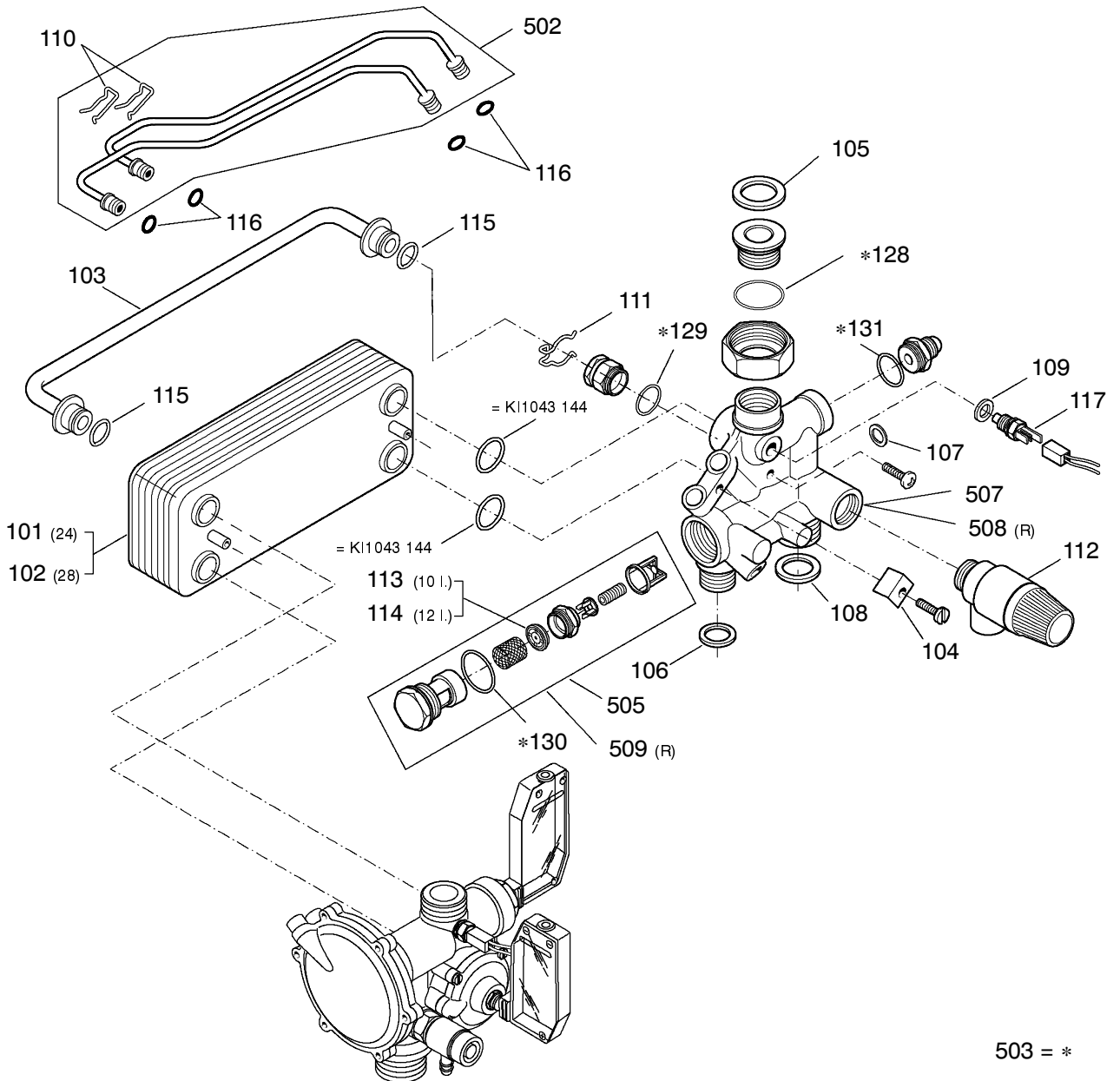
→ 24 SR =BI1011 516

4.4 Using the replacement parts code

The replacement parts code must be included on all documents which are used in service reports, orders for replacement parts, guarantee claims, etc.

Spare parts list

Table		Edition	N° of pages
BI1001 Part 1	Water group	0698	1
BI1011 Part 1	Water group	0698	1
BI1002 Part 2	Water group	1200	1
BI1152 Part 2	Water group	1200	1
BI1013 Part 3	Gas group	1200	1
BI1153 Part 3	Gas group	1200	1
BI1004 Part 4	Template and connection group	0698	1
BI1014 Part 4	Template and connection group	0698	1
BI1015 Part 5	Driving panel and electric parts	0800	1
BI1035 Part 5	Driving panel and electric parts	0500	1
BI1355 Part 5	Driving panel and electric parts	0800	1
BI1365 Part 5	Driving panel and electric parts	0500	1
BI1016 Part 6	External panels, fire chamber	1200	1
BI1276 Part 6	External panels, fire chamber	1200	1
BI1901 Part 1	Spares	0698	1
BI1902 Parte 2	Spares	1200	1

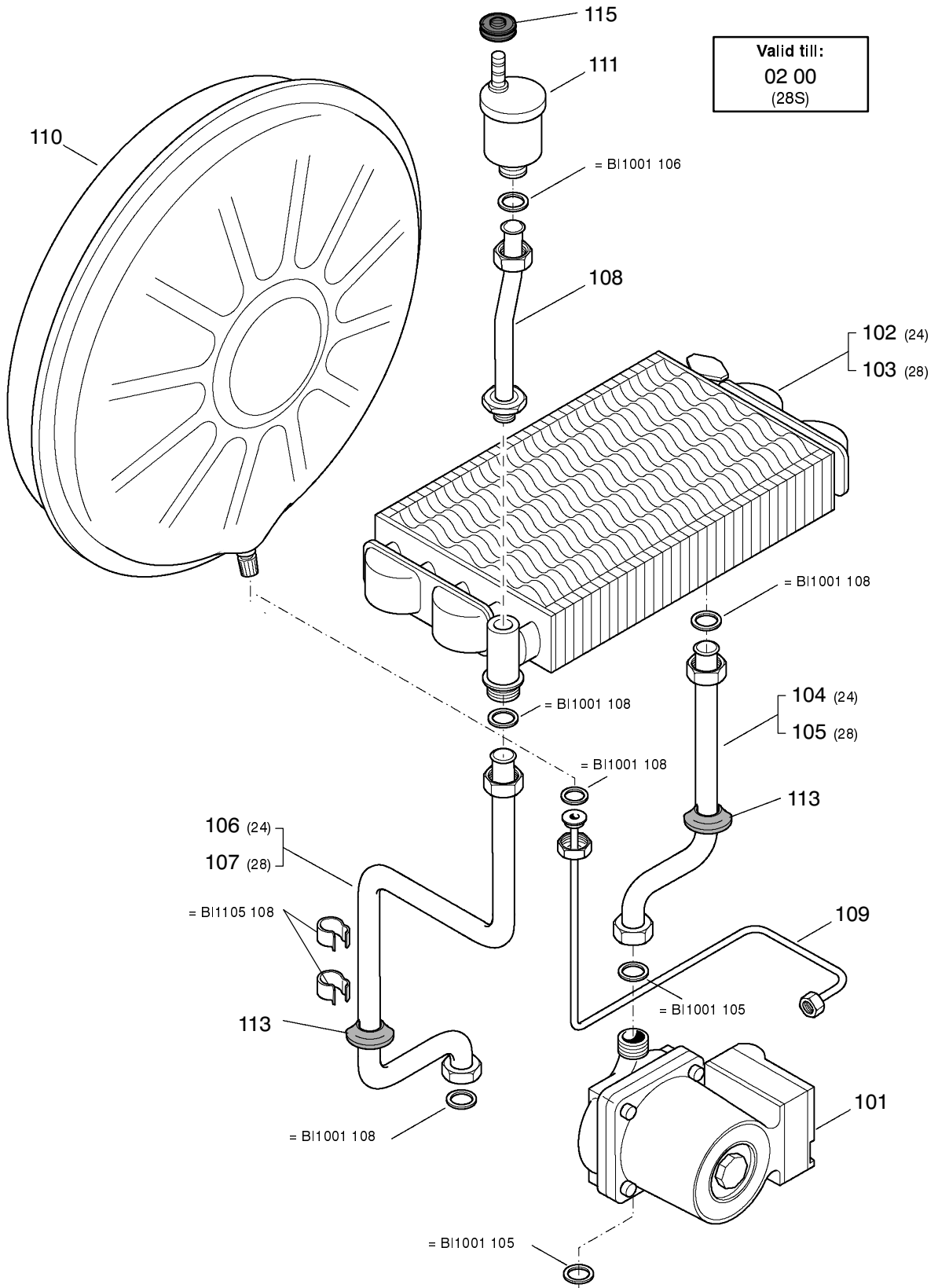


0698

				24 SE				24 SER
				28 SE				
				24 S				24 SR
				28 S				



Valid till:
02 00
(28S)

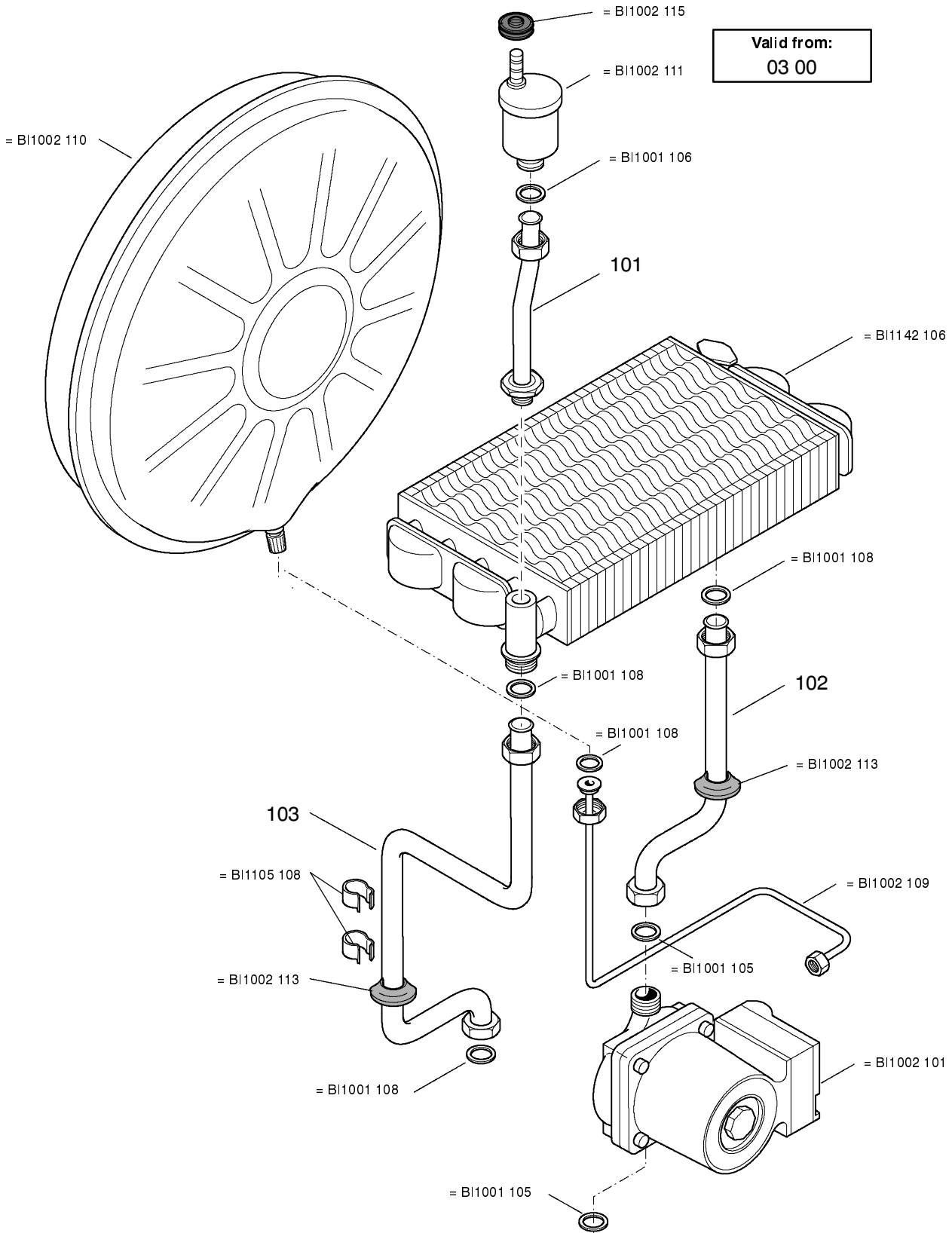


1200

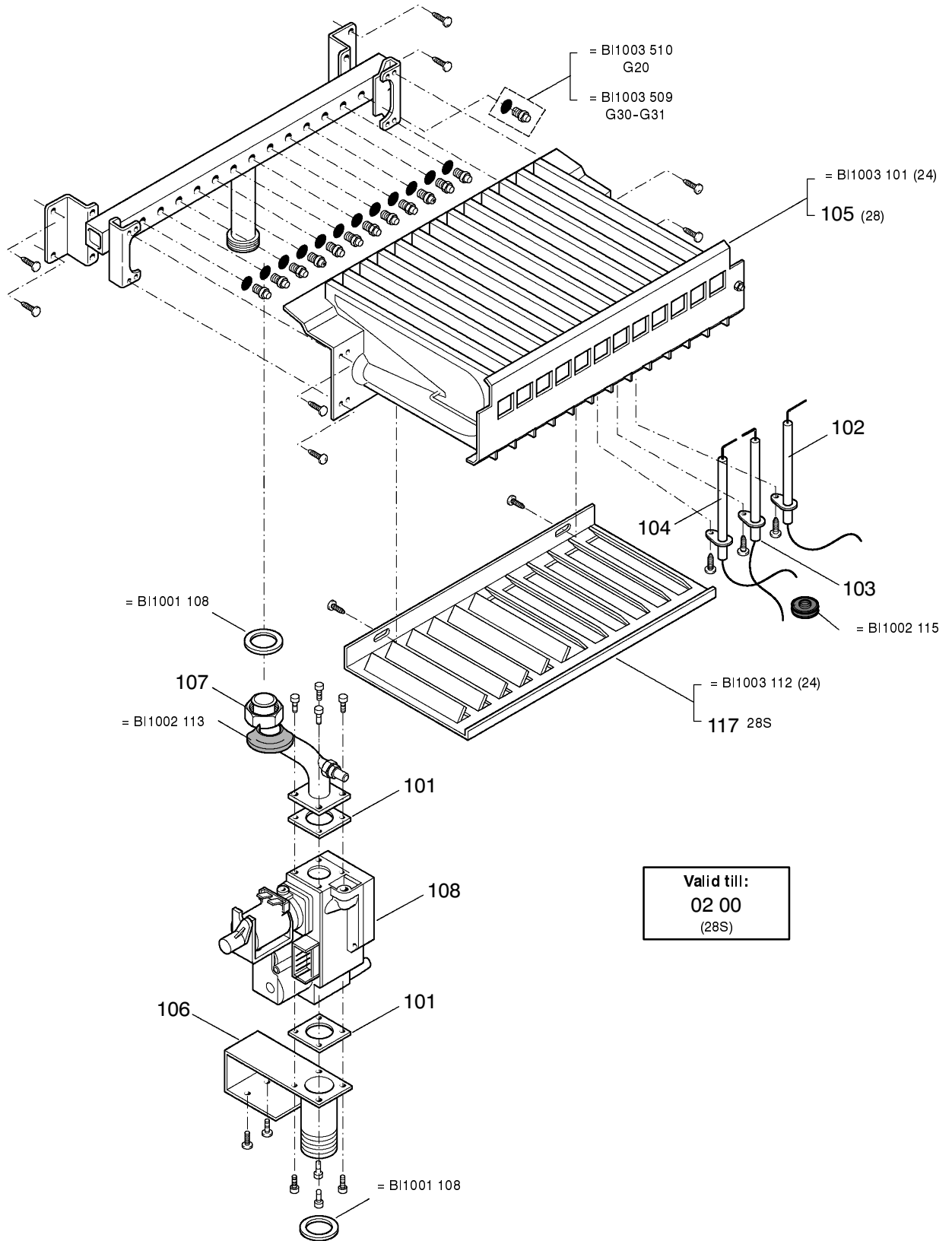
				24 SE				24 SER
				28 SE				
				24 S				24 SR
				28 S				



Valid from:
03 00



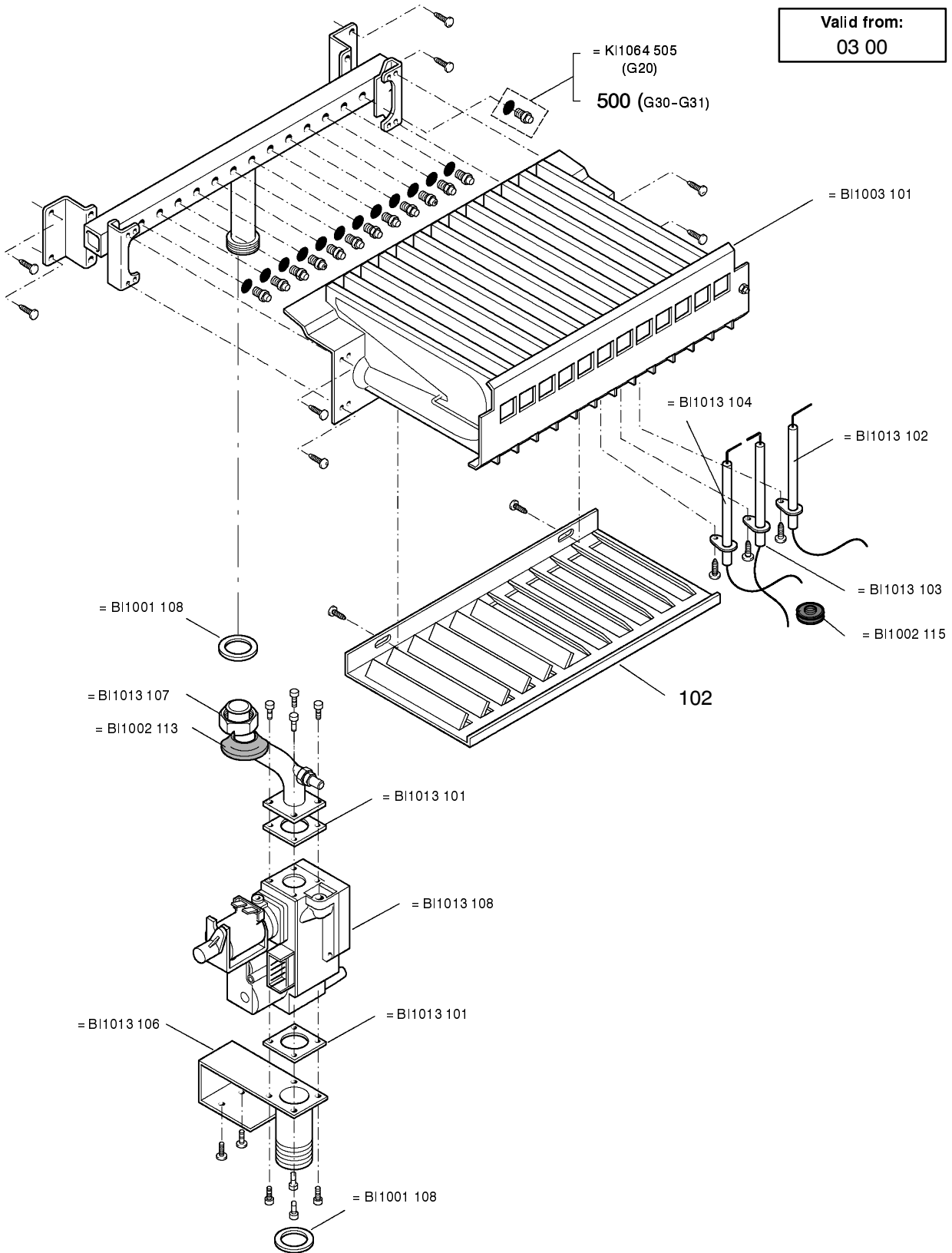
1200



				24 SE			24 SER
				28 SE			
				24 S			24 SR
				28 S			



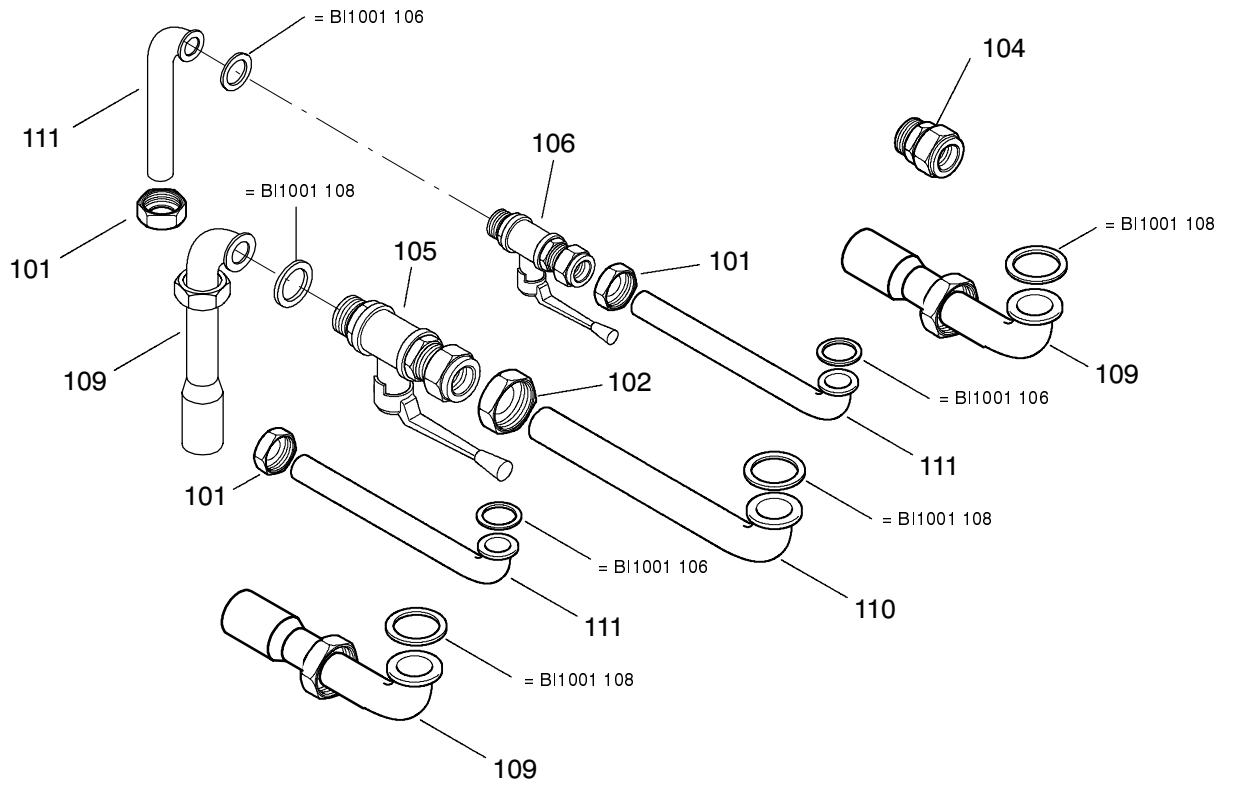
Valid from:
03 00



1200

28 S

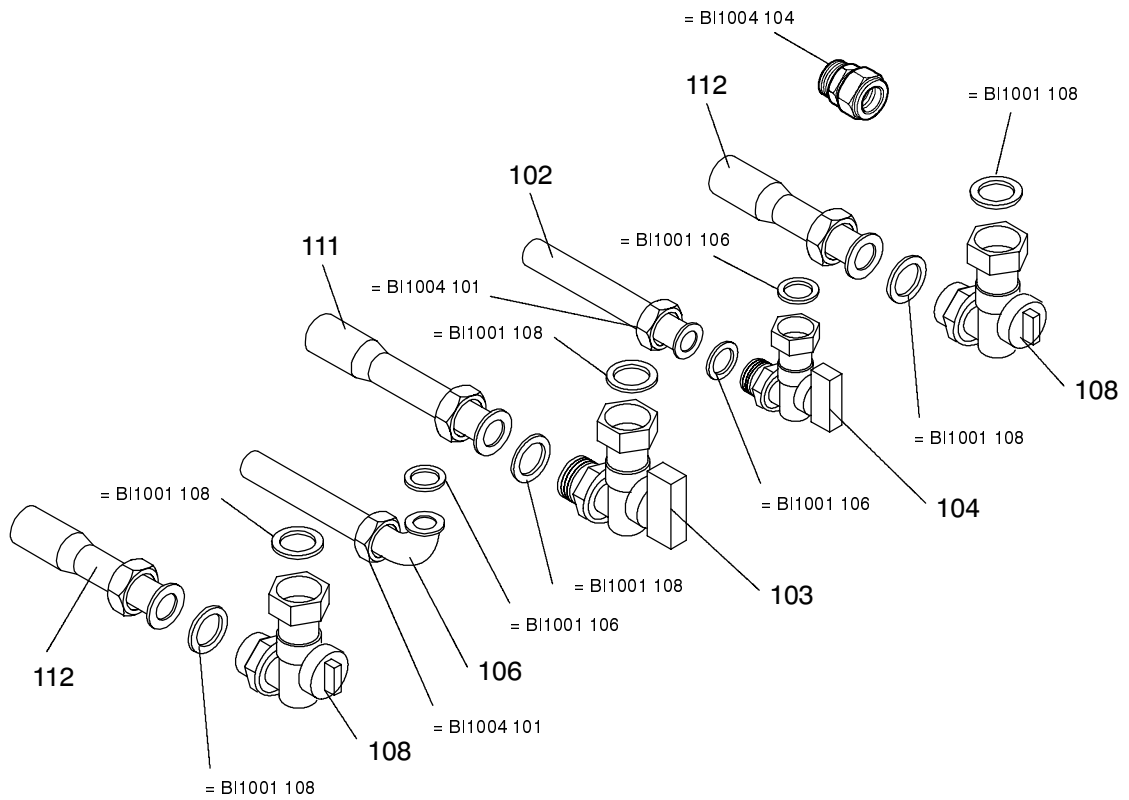




0698

				24 SE				24 SER	
				28 SE					
				24 S				24 SR	
				28 S					





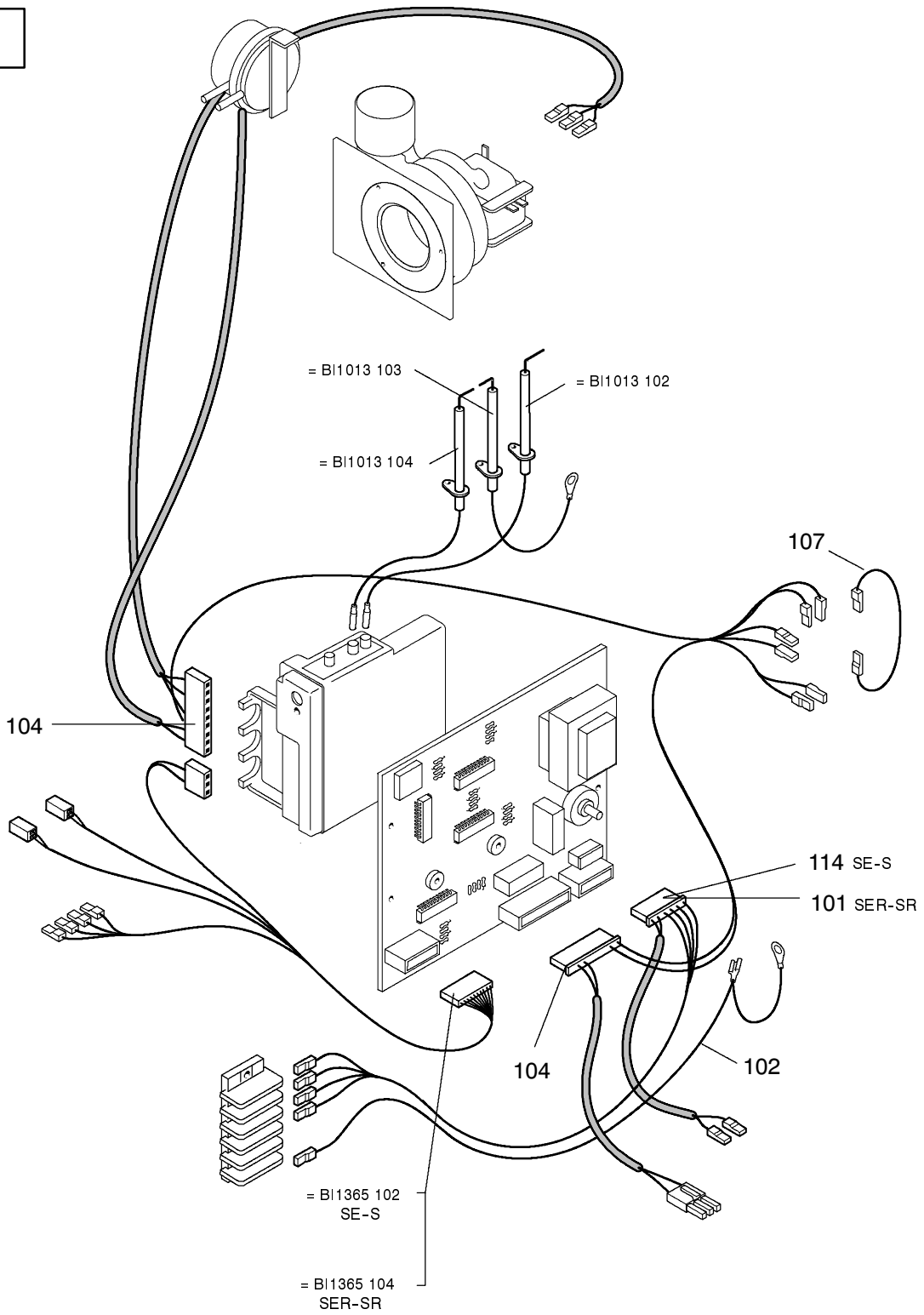
0698

24 S
28 S

24 SR



Valid till:
02 00

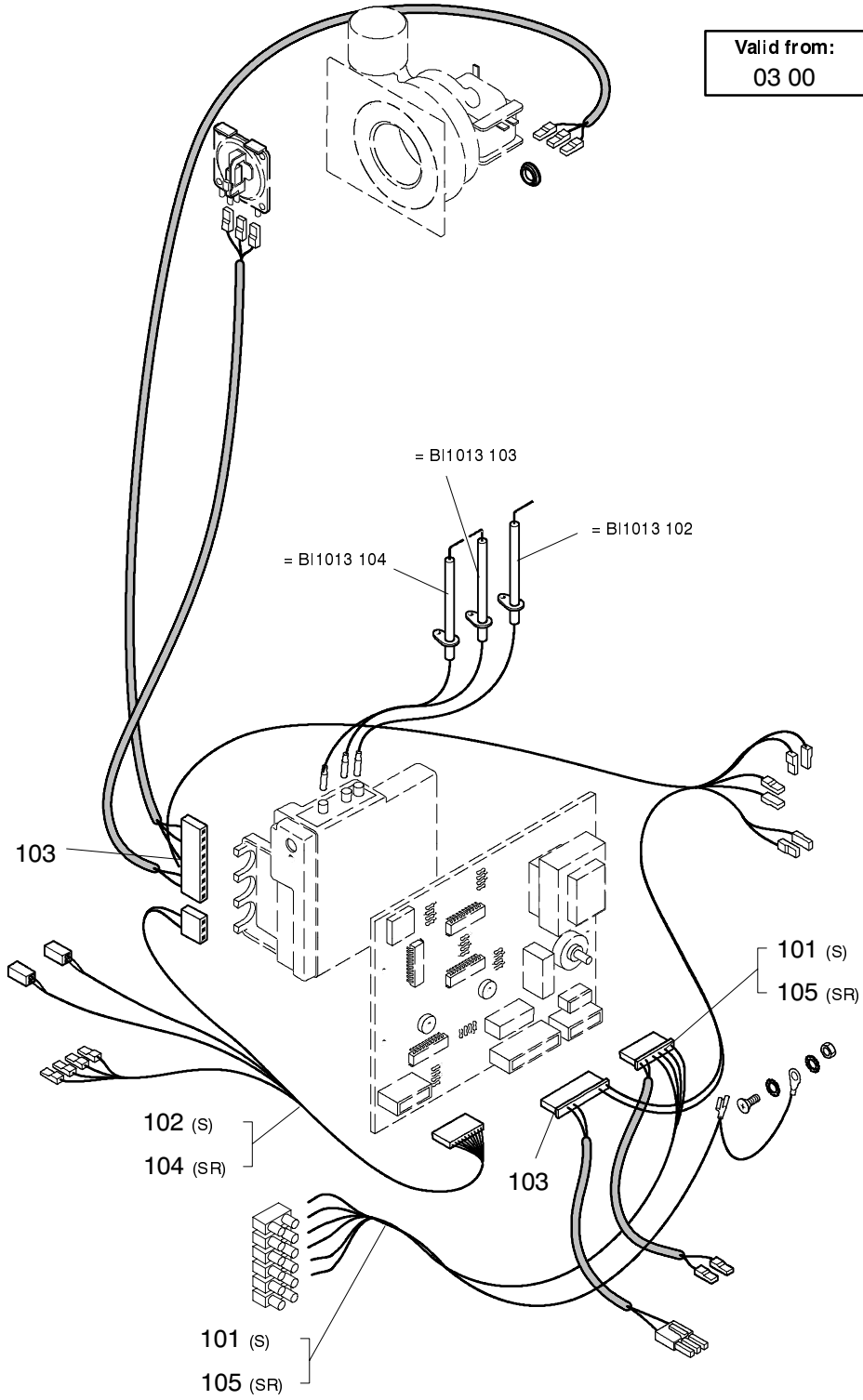


0500

			24 SE				24 SER
			28 SE				
			24 S				24 SR
			28 S				



Valid from:
03 00

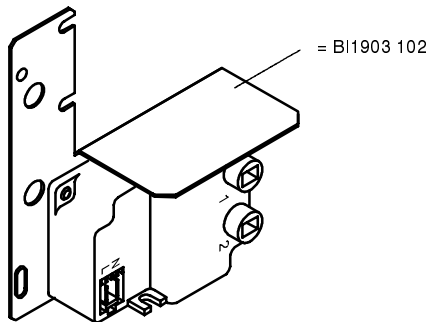
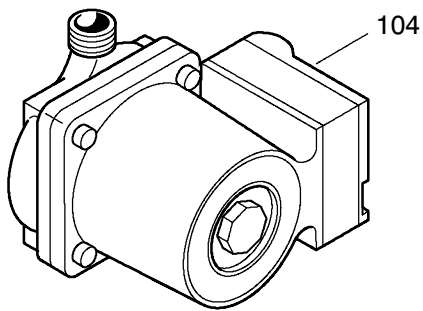
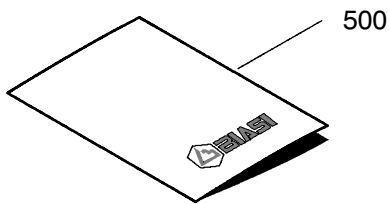
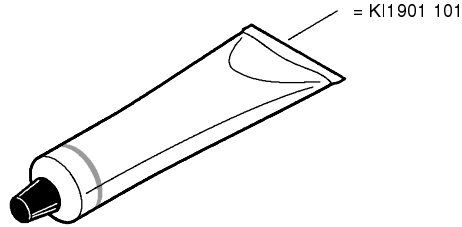


0500

24 S
28 S

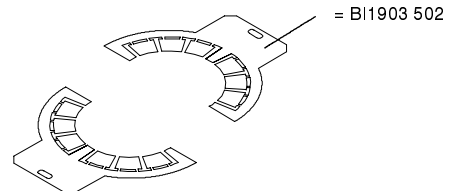
24 SR





803 O-ring packing set			
Part	Pos. N.	T.	Size
BI1001	115	10	12,42 x 1,78
KI1043	144	10	18,64 x 3,53
BI1001	503	10	
BI1013	101	10	

802 Flat packing set			
Part	Pos. N.	T.	Size
BI1001	107	10	P 1/4"
BI1001	109	10	P 3/8"
BI1001	106	10	P 1/2"
BI1001	108	10	P 3/4"
BI1001	105	10	P 1"



				24 SE				24 SER	
				28 SE					
				24 S				24 SR	
				28 S					



806 Basic spares

Part	Pos. N.	Description
BI1001	101	1 D.H.W. exchanger 24KW
BI1001	104	5 D.H.W. pressure switch pipe fixing clamp
BI1001	110	5 D.H.W. pressure switch pipes fixing fork
BI1001	111	5 By-pass pipe fixing fork
BI1001	112	1 3 bar safety valve
BI1001	117	2 NTC temperature probe
BI1001	505	1 D.H.W. filter and pressure reducing valve kit
BI1011	102	1 D.H.W. pressure switch membrane
BI1011	103	1 Central heating pressure switch membrane
BI1011	105	5 Microswitch box fixing clip
BI1011	501	1 By-pass kit
BI1011	504	1 Directional valve actuators kit
BI1011	505	1 Microswitch kit
BI1002	101	1 MYSON pump CP 35W
BI1002	102	1 Main exchanger 24KW
BI1002	111	1 Air purger valve
BI1003	509	1 LPG conversion kit
BI1003	510	1 Natural gas conversion kit
BI1013	102	1 Detection electrode
BI1013	103	1 Ignition electrode right
BI1013	104	1 Ignition electrode left
BI1013	108	1 Honeywell VK4105 gas valve regulator
BI1005	105	10 Delayed fuse 250V-1,6A
KI1006	530	1 Pressure/temp gauge kit
BI1045	133	1 Electronic circuit board
KI1066	104	1 Overheat thermostat
BI1015	112	1 Clock
BI1015	501	1 Ignition board kit
BI1036	102	1 Flue pressure switch 24 KW
BI1036	103	1 Flue pressure switch 28 KW
BI1016	108	1 Fan 24 KW
KI1901	101	1 Grease
BI1901	803	1 O-ring gaskets set
BI1901	802	1 Flat gaskets set

				24 SE				24 SER	
				28 SE					
				24 S				24 SR	
				28 S					

