



Spare Parts List

Activ A 25C

Activ A 30C

Activ A 35C

Activ A 18S

Activ A 25S

Activ A 30S

Issue 06/2009

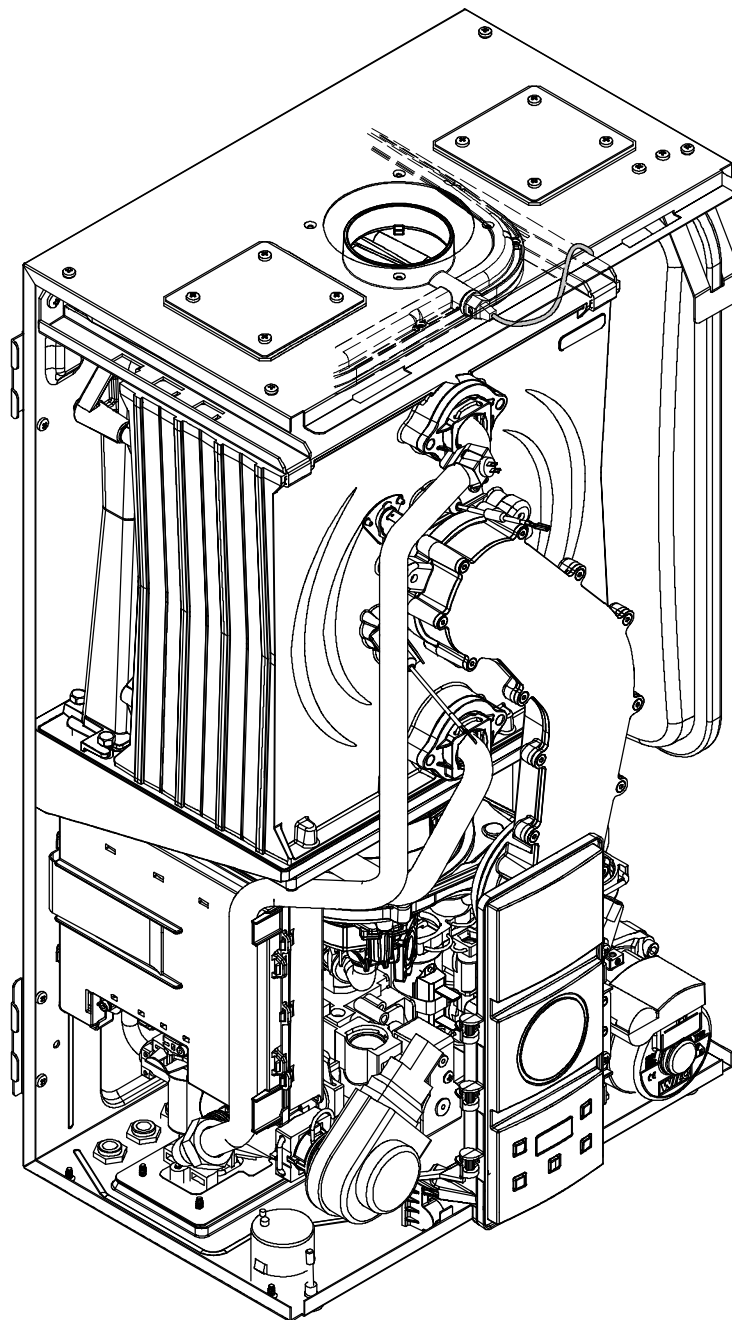
Table description	Issue	n. of pages
Overall view	06/2009	1
C.h. return group and d.h.w. heat exchanger	06/2009	1
C.h. flow group and three way diverter valve	06/2009	1
C.h. flow and return groups	06/2009	1
Pump and main circuit assembly combi	06/2009	1
Pump and main circuit assembly system	06/2009	1
Gas assembly	06/2009	1
Valves and connection pipes combi	06/2009	1
Valves and connection pipes system	06/2009	1
Control panel and ignition device	06/2009	1
Wiring	06/2009	1
Fan, combustion chamber and case panels	06/2009	1
List of parts combi	06/2009	8
List of parts system	06/2009	6

Activ A 25C
Activ A 30C
Activ A 35C
Activ A 18S
Activ A 25S
Activ A 30S

47-583-21
47-583-22
47-583-23
41-583-11
41-583-12
41-583-13

Overall view

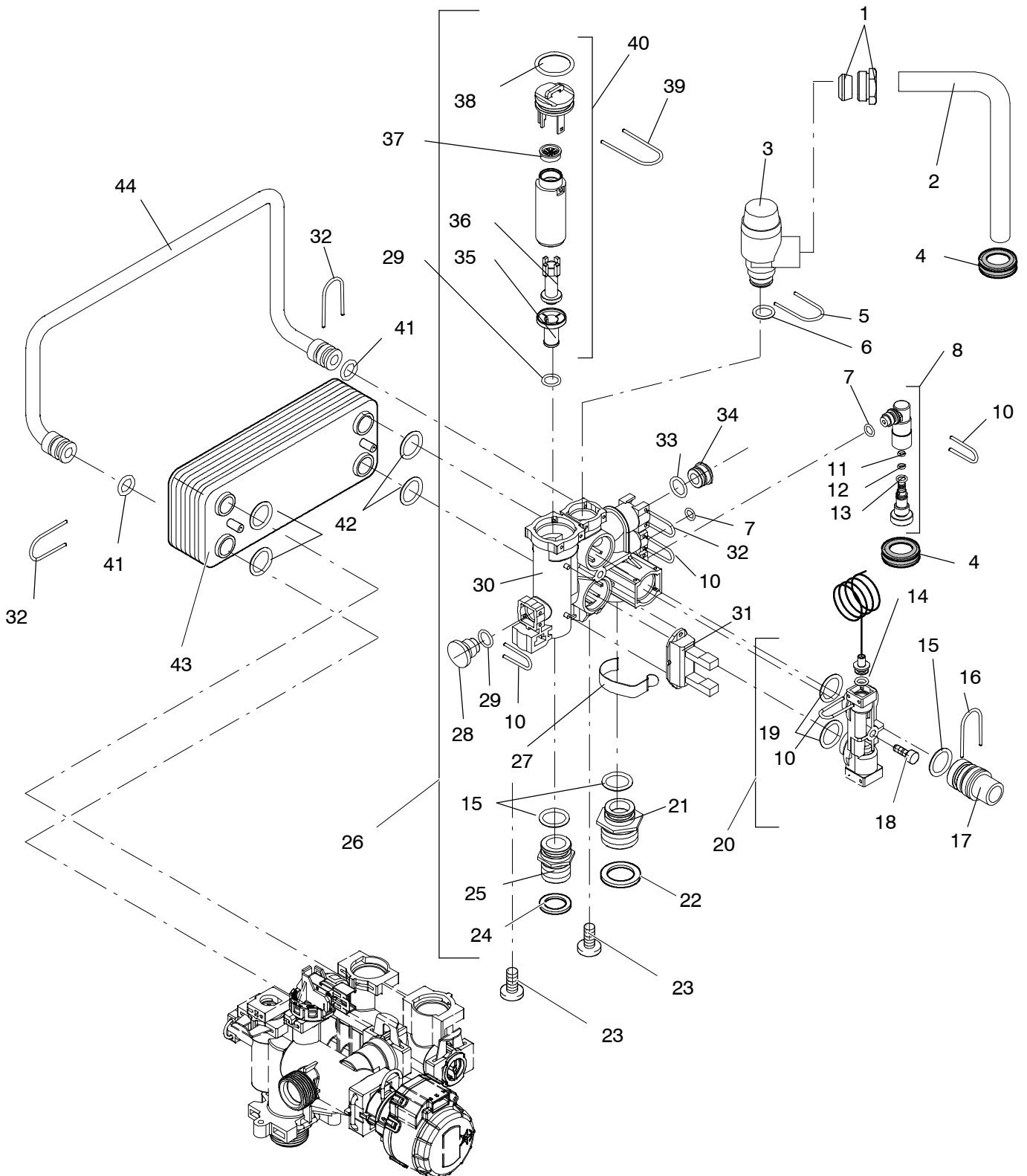
DATA BADGE: inner side of left case panel



Activ A 25C
Activ A 30C
Activ A 35C

47-583-21
47-583-22
47-583-23

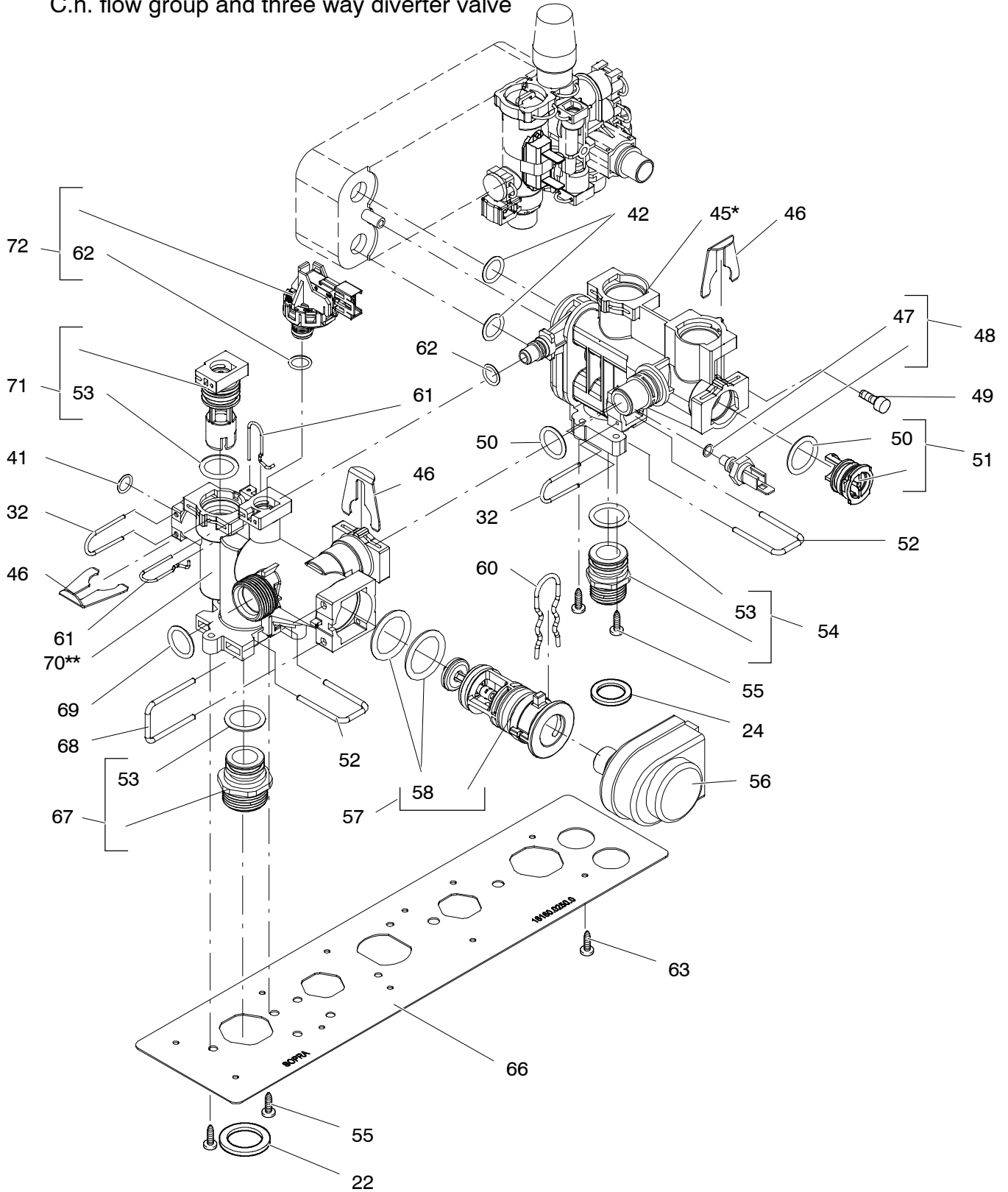
C.h. return group and d.h.w. heat exchanger



Activ A 25C
Activ A 30C
Activ A 35C

47-583-21
47-583-22
47-583-23

C.h. flow group and three way diverter valve



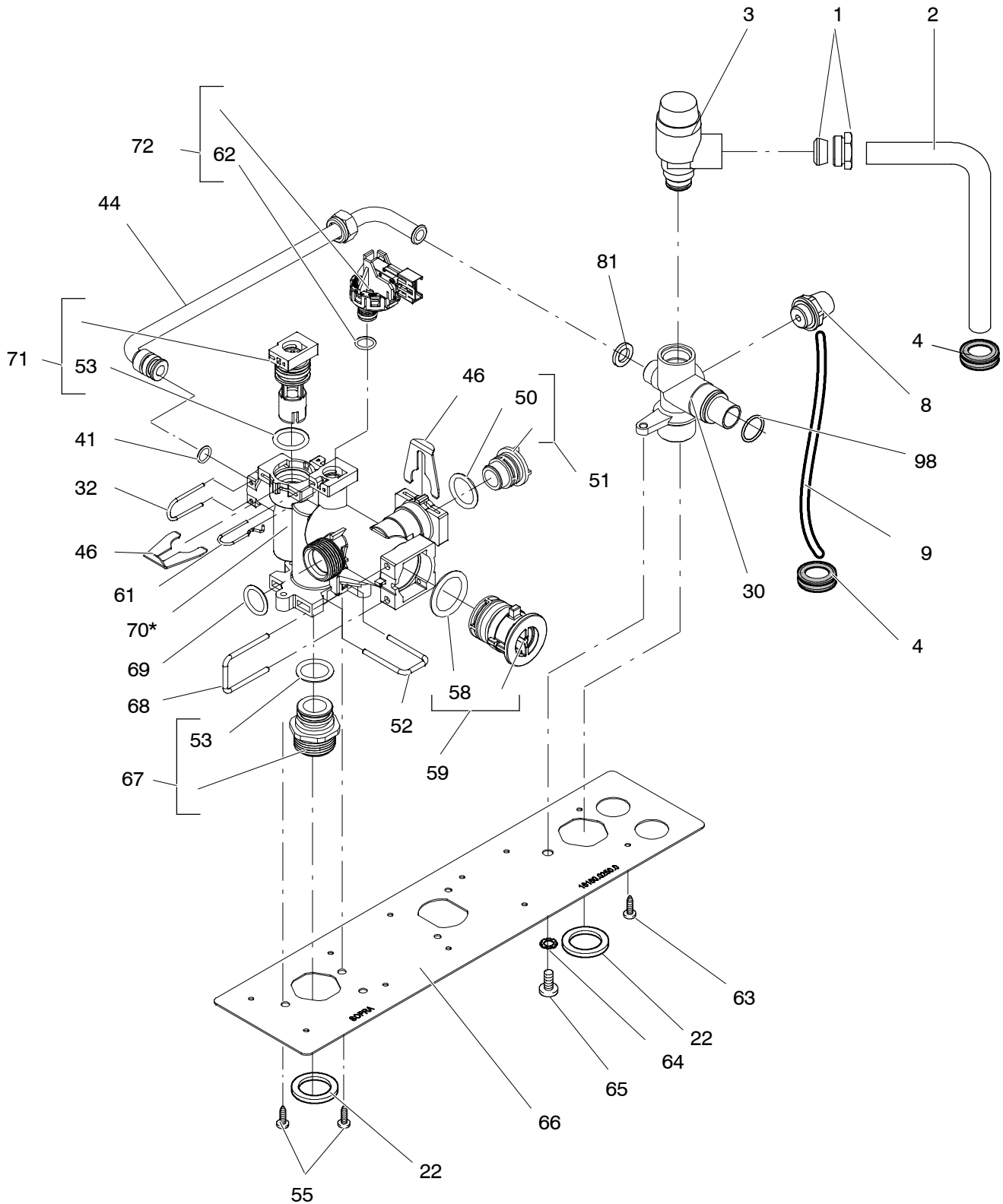
* Includes items 42, 47, 50, 53, 62

** Includes items 69, 41, 50, 53, 58, 62

Activ A 18S
Activ A 25S
Activ A 30S

41-583-11
41-583-12
41-583-13

C.h. flow and return groups

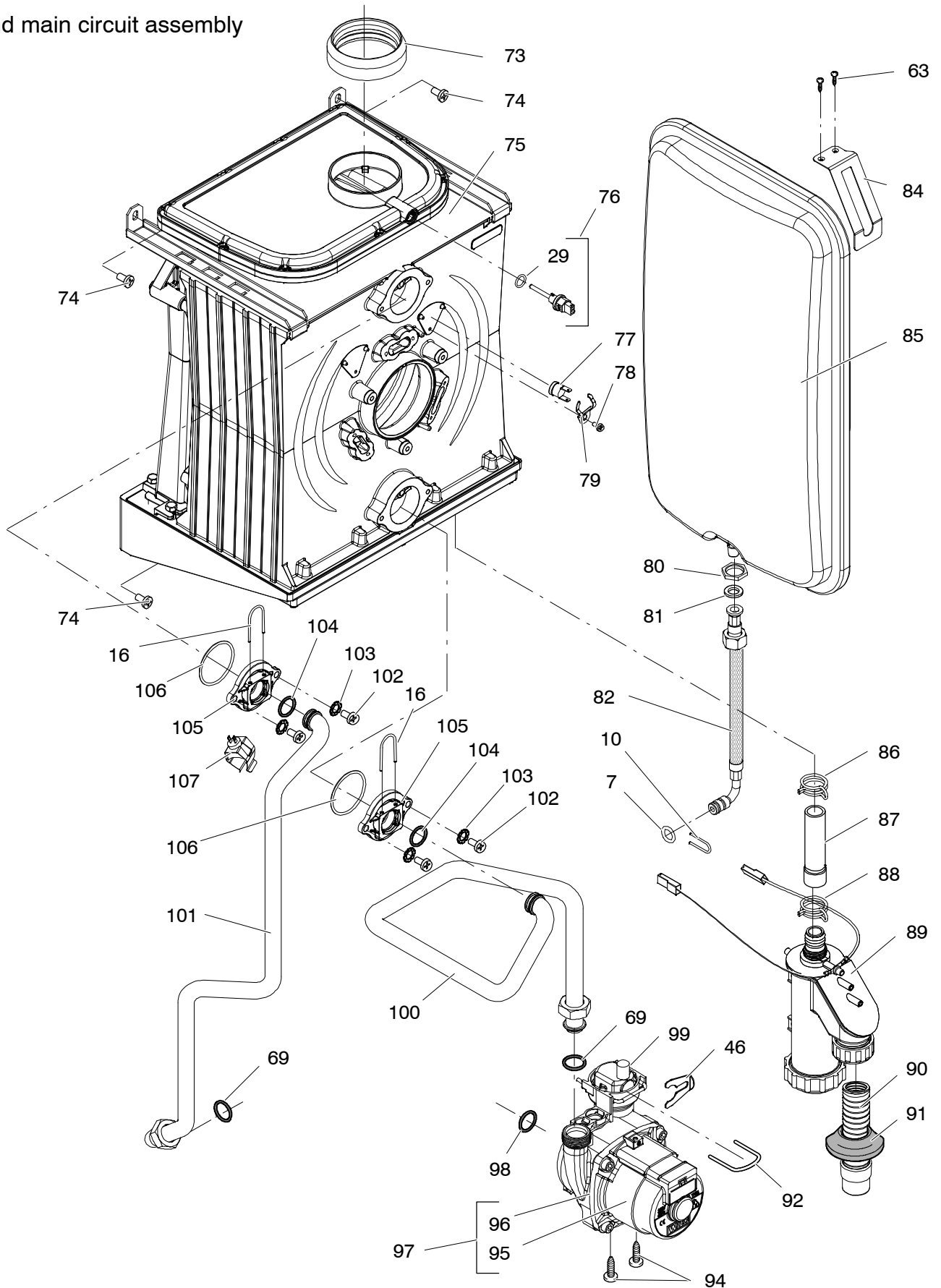


* Includes items 69, 41, 50, 53, 58, 62, 51, 59

Activ A 25C
Activ A 30C
Activ A 35C

47-583-21
47-583-22
47-583-23

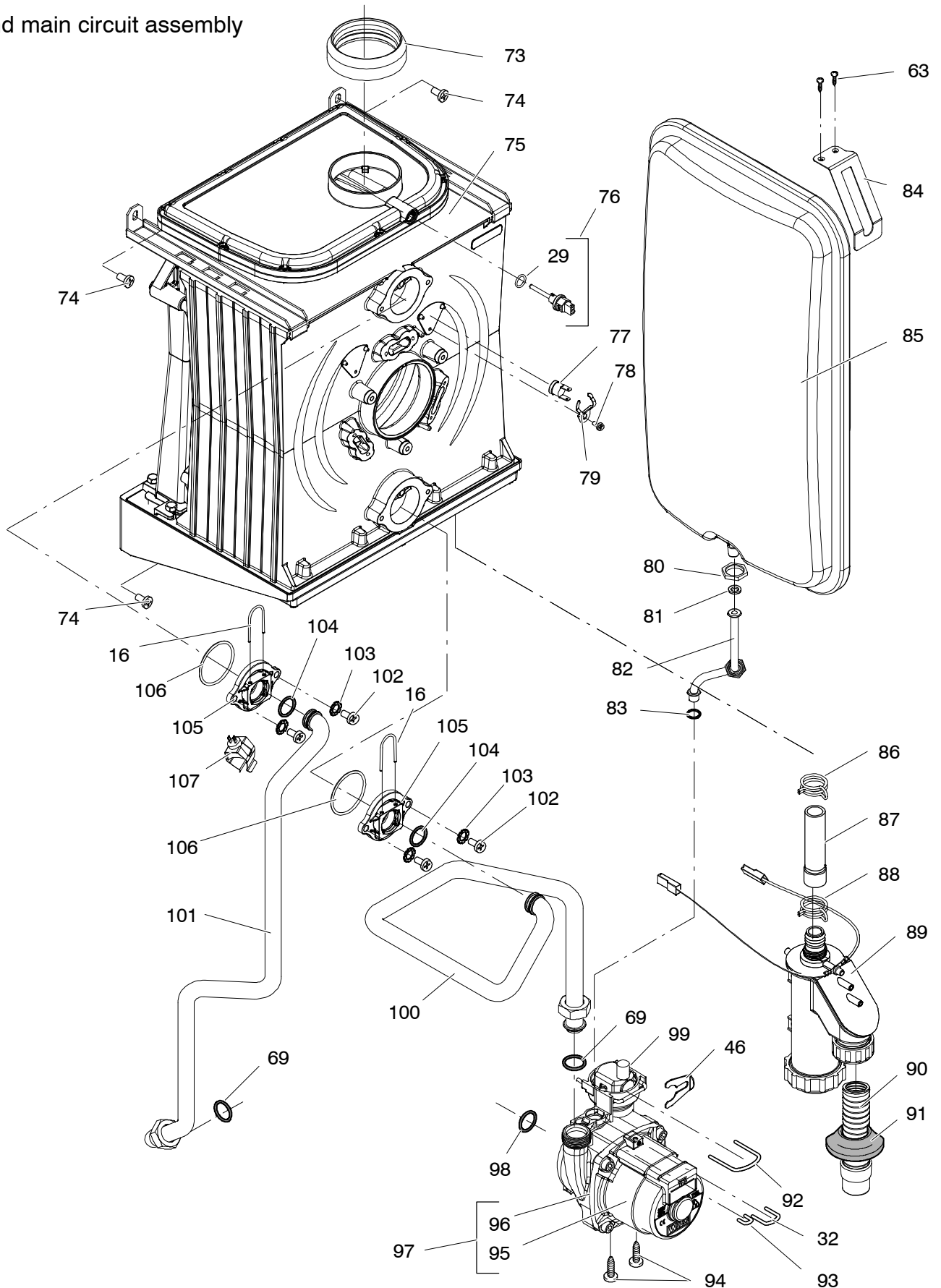
Pump and main circuit assembly



Activ A 18S
Activ A 25S
Activ A 30S

41-583-11
41-583-12
41-583-13

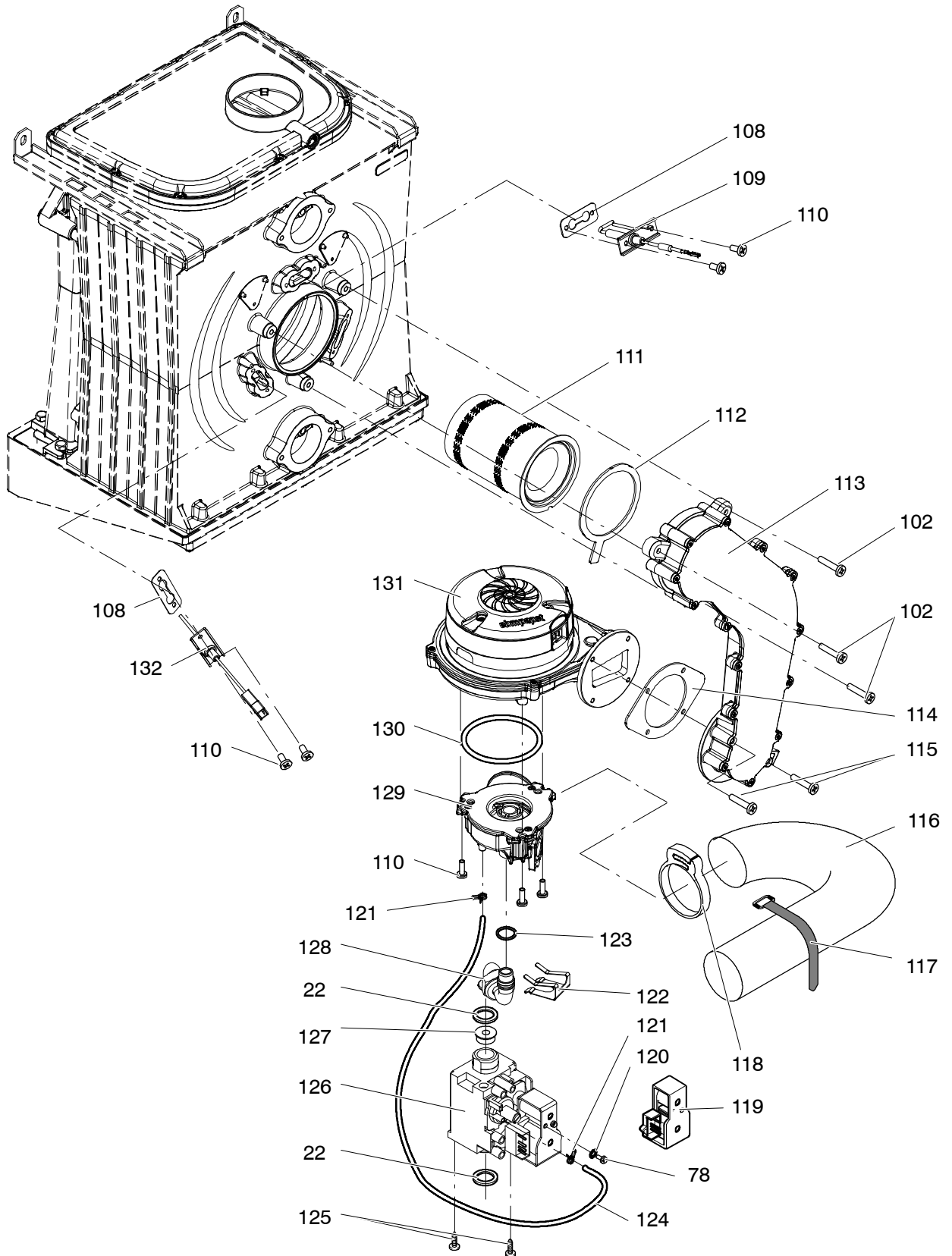
Pump and main circuit assembly



Activ A 25C
 Activ A 30C
 Activ A 35C
 Activ A 18S
 Activ A 25S
 Activ A 30S

47-583-21
 47-583-22
 47-583-23
 41-583-11
 41-583-12
 41-583-13

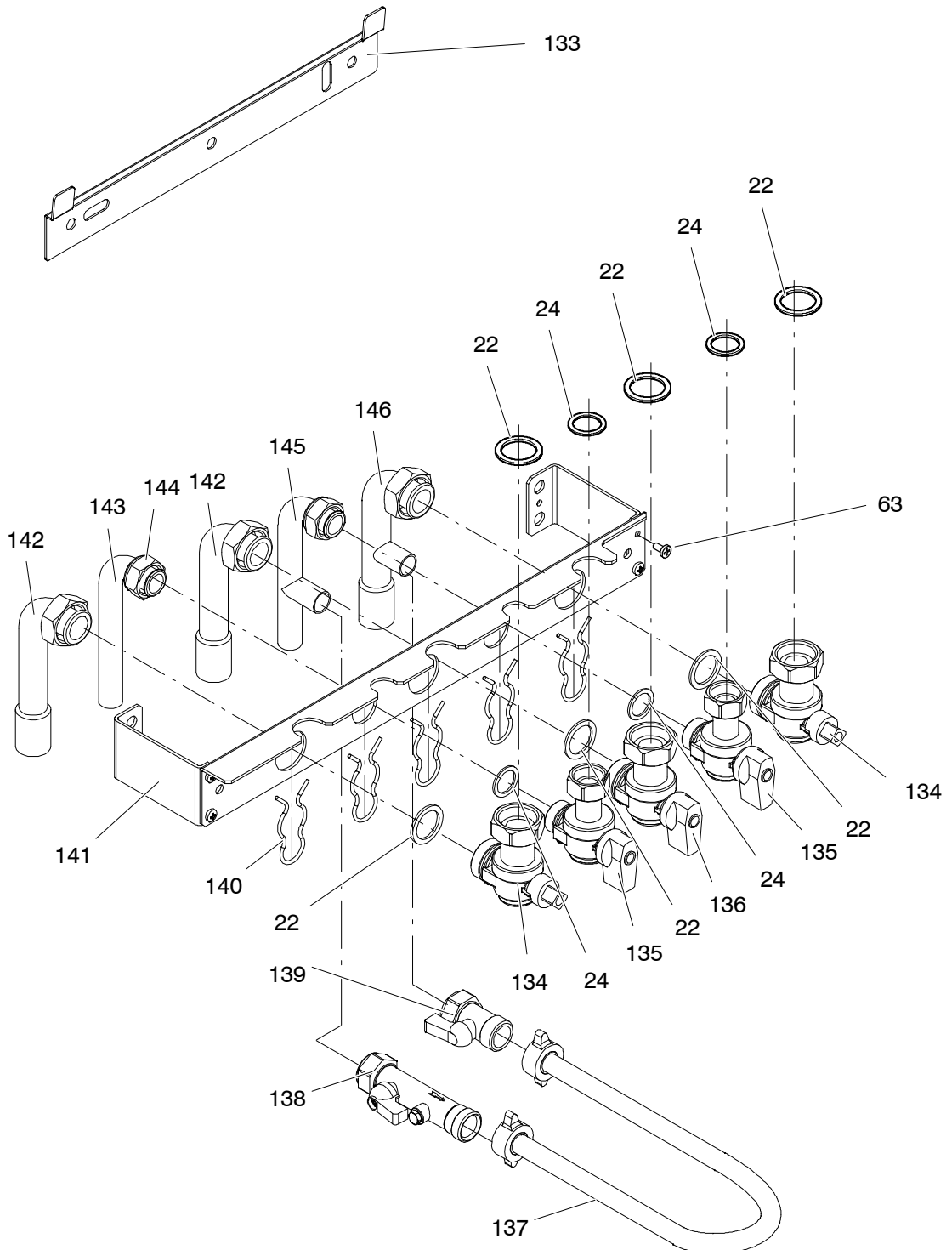
Gas assembly



Activ A 25C
Activ A 30C
Activ A 35C

47-583-21
47-583-22
47-583-23

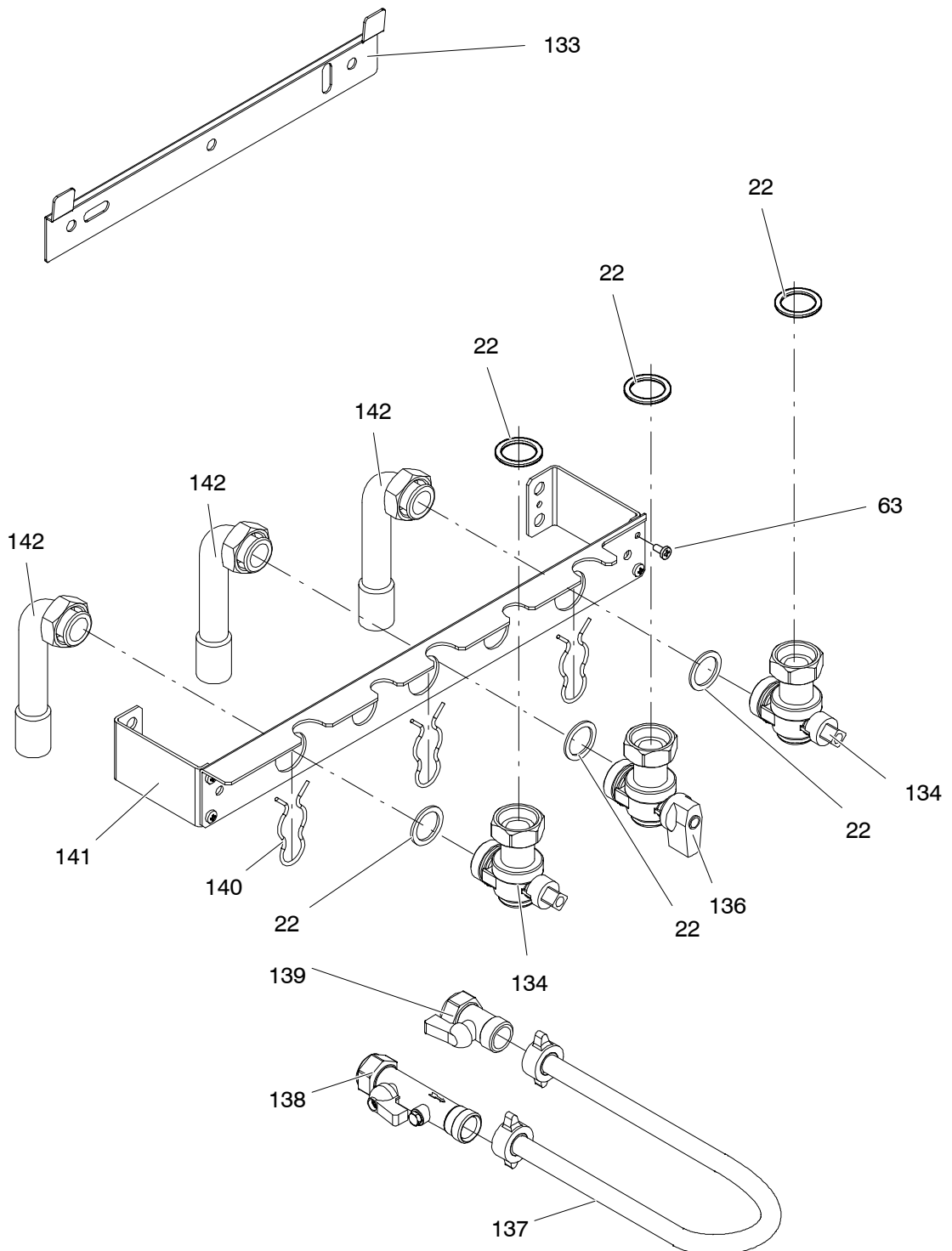
Valves and connection pipes



Activ A 18S
Activ A 25S
Activ A 30S

41-583-11
41-583-12
41-583-13

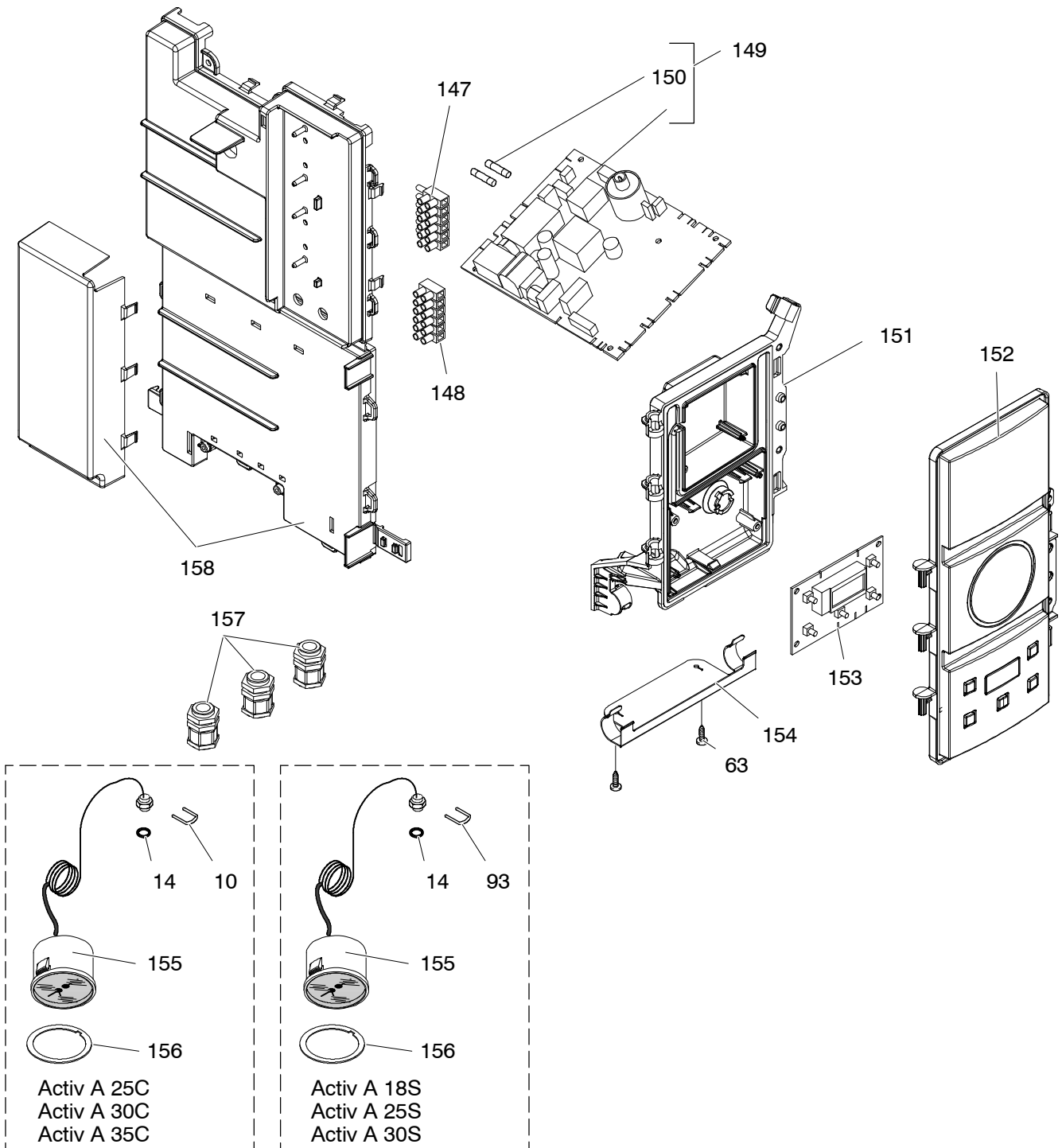
Valves and connection pipes



Activ A 25C
 Activ A 30C
 Activ A 35C
 Activ A 18S
 Activ A 25S
 Activ A 30S

47-583-21
 47-583-22
 47-583-23
 41-583-11
 41-583-12
 41-583-13

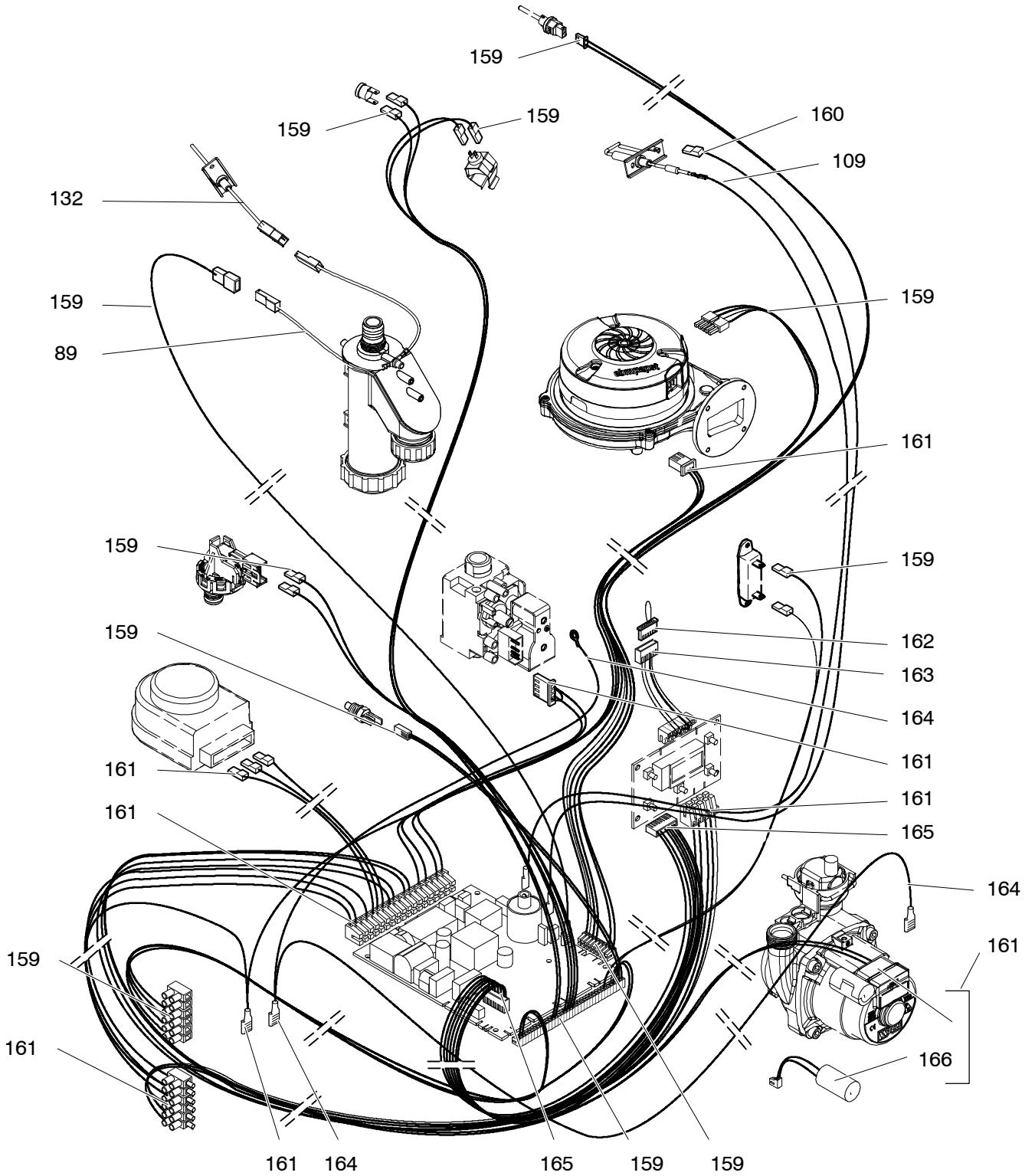
Control panel and ignition device



Activ A 25C
 Activ A 30C
 Activ A 35C
 Activ A 18S
 Activ A 25S
 Activ A 30S

47-583-21
 47-583-22
 47-583-23
 41-583-11
 41-583-12
 41-583-13

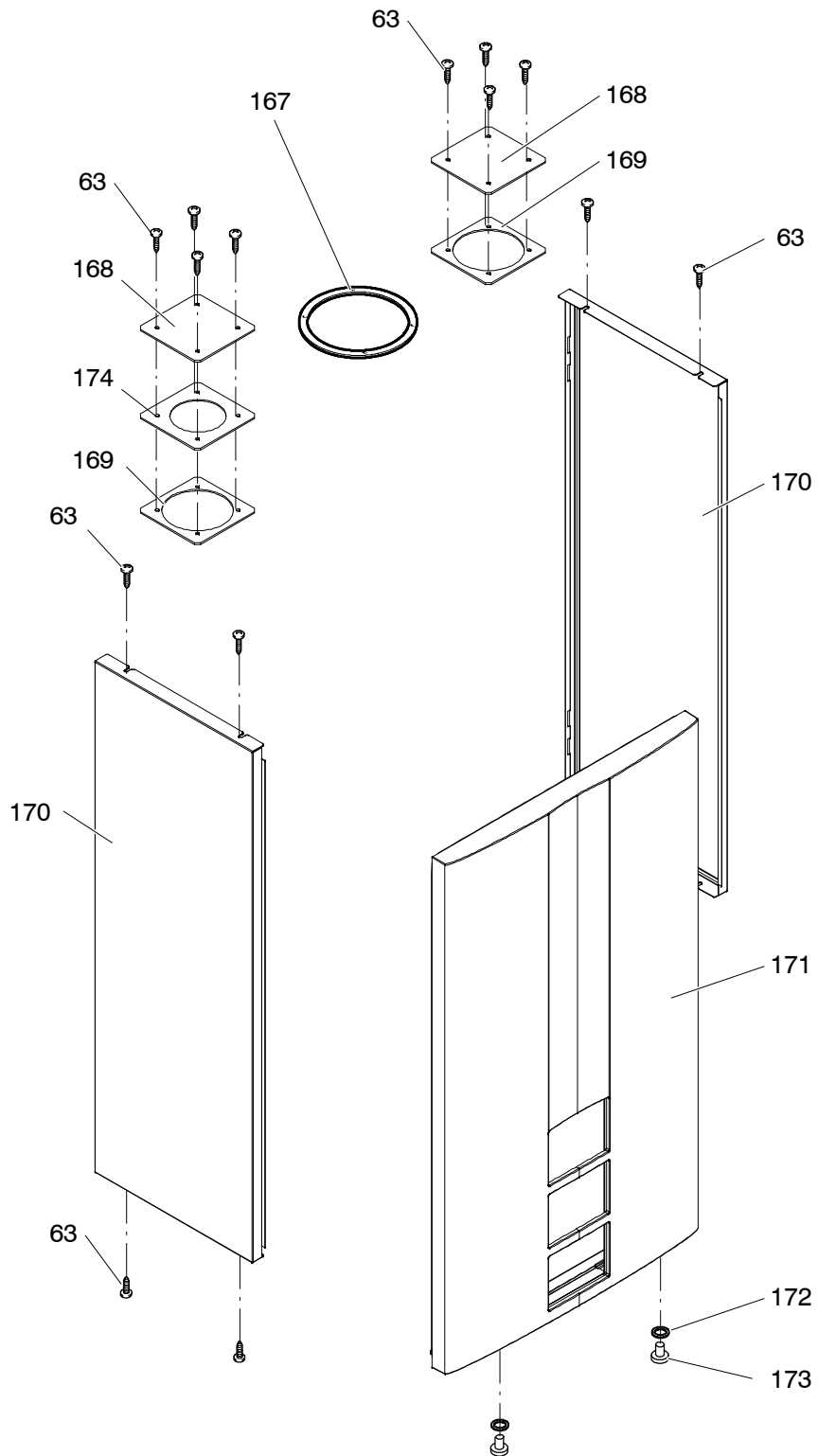
Wiring



Activ A 25C
Activ A 30C
Activ A 35C
Activ A 18S
Activ A 25S
Activ A 30S

47-583-21
47-583-22
47-583-23
41-583-11
41-583-12
41-583-13

Sealed chamber and case panels



DRAFT BRITISH GAS PART LIST

Date _____
 Sheet 1 of 8
 Manufacturer Biasi SpA – Italy
 Appliance(s) Activ A 25C, Activ A 30C, Activ A 35C
 GC Appliance Number(s) 47–583–21, 47–583–22, 47–583–23
 Contract Name _____
 Telephone Number _____

(a)	(b)	(c)	(d)	(e)	(f)	(g)	(h)	(i)	(j)	(k)
Key no.	GC Part Number	Description	No. Off	Makers part number which have a CG number	Maker's old part number which have since been changed	Maker's new part number which DO NOT have a GC number	M B F	Original Supplier	Original Supplier part number	Retail price excl. VAT
		Position of data badge: inner side of left case panel								
		Instructions booklets set	1			BI1913 516	M			
1	E23–759	Safety valve connection	1	BI1001 127			M			
2		Safety valve connection pipe	1			BI1301 111	M			
3	H50–189	Safety valve 3 bar	1	BI1181 100			B	Watts Intermes	3 bar	
4		Grommet	2			BI1301 109	M			
5	H50–480	Fork P.18,5	1	BI1181 101			M			
6	H50–481	O–ring gasket 2,62x15,08	1	BI1181 102			M			
7	H50–484	O–ring gasket 1,78x7,66	2	BI1182 108			M			
8	H50–398	Drainage valve	1	BI1181 501			M			
10	H50–473	Fork P.14	4	BI1181 107			M			
11	169–050	O–ring gasket 1,78x2,9	1	KI1043 145			M			
12	H50–488	O–ring gasket 1,78x3,69	1	BI1181 120			M			
13	169–014	O–ring gasket 1,78x6,07	1	KI1002 119			M			
14	E83–144	O–ring gasket 1,78 x 6,75	1	BI1475 119			M			
15	H50–467	O–ring gasket 2,62x17,13	3	BI1181 112			M			
16	169–026	Fork P.20.5	3	KI1031 101			M			
17	H50–487	Pump connection	1	BI1301 102			M			
18	H58–648	Screw M5x55 – Hexagon socket cap	1	BI1301 105			M			
19	H74–606	O–ring gasket 3x17	2	KI1003 114			M			
20	H50–491	Filling group kit	1	BI1181 507			M			
21	H50–470	Threaded connection c.h.	1	BI1181 114			M			
22	169–033	Flat gasket 3/4"	7	BI1001 108			M			
23	402–325	Screw M6x10 – BZP RPH	2	BI1172 115			F			
24	169–141	Gasket 1/2"	3	BI1001 106			M			

CONTINUATION SHEET

Sheet 2 of 8

Appliance number(s) 47-583-21, 47-583-22, 47-583-23

(a)	(b)	(c)	(d)	(e)	(f)	(g)	(h)	(i)	(j)	(k)
Key no.	GC Part Number	Description	No. Off	Makers part number which have a CG number	Maker's old part number which have since been changed	Maker's new part number which DO NOT have a GC number	M B F	Original Supplier	Original Supplier part number	Retail price excl. VAT
25	H50-468	Threaded connection d.h.w.	1	BI1181 115			M			
26	H50-492	Return group kit	1	BI1301 501			M			
27	H50-471	Reed fixing clip	1	BI1181 116			M			
28	H50-478	Return group plug	1	BI1181 117			M			
29	H50-475	O-ring gasket 1,78x10,82	3	BI1181 110			M			
30	H50-399	Return group	1	BI1301 100			M			
31	169-010	D.h.w. flow switch	1	KI1042 107			M			
32	169-015	Fork P.14	4	KI1042 101			M			
33	E00-668	O-ring gasket 1,78x12,42	1	BI1001 115			M			
34	H50-482	Return group plug	1	BI1181 104			M			
35	H50-490	Filter	1	BI1181 106			M			
36	169-008	Float	1	KI1042 106			M			
37	H58-649	Flow limiter 10 Litres/min	1	BI1301 103			M			
37 A		Flow limiter 12 Litres/min	1			BI1301 108	M			
37 B	H74-526	Flow limiter 14 Litres/min	1	BI1301 106			M			
38	E00-680	O-ring gasket 2,62x23,47	1	BI1011 107			M			
39	H50-479	Fork P.20	1	BI1181 103			M			
40	H50-400	Magnetic flow switch and filter kit	1	BI1181 500			M			
41		O-ring gasket 2,62x11,91	2			BI1301 112	M			
42	169-060	O-ring gasket 18,64x3,53	4	KI1043 144			M			
43	H22-543	Exchanger DHW - Activ A 25C	1	BI1181 122			M			
43 A	E01-204	Exchanger DHW - Activ A 30C, Activ A 35C	1	BI1001 101			M			
44		By-pass pipe	1			BI1301 110	M			
45	H74-527	Flow group kit d.h.w.	1	BI1351 100			M			
46	H20-987	Pump connection fork	4	BI1262 116			M			

CONTINUATION SHEET

Sheet 3 of 8

Appliance number(s) 47-583-21, 47-583-22, 47-583-23

(a)	(b)	(c)	(d)	(e)	(f)	(g)	(h)	(i)	(j)	(k)
Key no.	GC Part Number	Description	No. Off	Makers part number which have a CG number	Maker's old part number which have since been changed	Maker's new part number which DO NOT have a GC number	M B F	Original Supplier	Original Supplier part number	Retail price excl. VAT
47	169-102	O-ring gasket 1,9x5,7	1	KI1042 102			M			
48	169-016	Temperature probe NTC d.h.w.	1	KI1042 501			M			
49	H74-528	Screw M5x35 - Hexagon socket cap	1	BI1351 101			F			
50	H74-529	O-ring gasket 2,62x15,54	2	BI1351 102			M			
51	H74-530	Flow group kit d.h.w. plug	1	BI1351 103			M			
52	H74-531	Fork P21,6	2	BI1351 104			M			
53	H74-532	O-ring gasket 2,62x17,96	3	BI1351 105			M			
54	H74-533	Threaded connection d.h.w.	1	BI1351 106			M			
55	H74-535	Tapping screw 5x12	5	BI1351 107			F			
56	H74-535	Diverter valve actuator	1	BI1351 108			M			
57	H74-536	Diverter valve kit	1	BI1351 109			M			
58	E00-680	O-ring gasket 2,62x23,47	2	BI1011 107			M			
58	E00-680	O-ring gasket 2,62x23,47	1	BI1011 107			M			
59		Flow group kit plug	1			BI1371 105	M			
60	H74-538	Diverter valve actuator fixing spring	1	BI1351 111			M			
61	H74-539	Fork P11	2	BI1351 112			M			
62	H74-540	O-ring gasket 1,90x8,90	2	BI1351 113			M			
63	409-722	Tapping Screw ISO No8 B 4,2x9,5 Recessed Pan Head	34	BI1013 110			F			
		Hardened Steel BS4174 Bright Zinc plate BS1706 Clear								
		Passivated								
66		Water groups assembling plate	1			BI1351 120	M			
67	H74-541	Threaded connection c.h.	1	BI1351 114			M			
68	H74-542	Fork P26	1	BI1351 115			M			
69	H20-981	O-ring gasket 2X17	2	BI1262 114			M			
70	H74-543	Flow group kit c.h.	1	BI1351 116			M			

CONTINUATION SHEET

Sheet 4 of 8

Appliance number(s) 47-583-21, 47-583-22, 47-583-23

(a) Key no.	(b) GC Part Number	(c) Description	(d) No. Off	(e) Makers part number which have a CG number	(f) Maker's old part number which have since been changed	(g) Maker's new part number which DO NOT have a GC number	(h) M B F	(i) Original Supplier	(j) Original Supplier part number	(k) Retail price excl. VAT
71	H74-544	By-pass kit	1	BI1351 117			M			
72	H74-545	Primary circuit pressure switch	1	BI1351 118			M			
73	H74-575	Flue outlet gasket	1	BI1536 101			M			
74		Screw M6x14 - BZP RPH	4			BI1462 118	F			
75		Condensing heat exchanger Activ A 25C	1			BI1462 101	M			
75 A		Condensing heat exchanger Activ A 30C, Activ A 35C	1			BI1462 102	M			
76	H58-661	Flue temperature probe NTC	1	BI1432 102			M			
77	E83-101	Overheat thermostat	1	BI1172 105			B	Elth	261 105°C	
78	402-049	Screw M3x8 - BZP RPH	2	BI1462 115			F			
79		Overheat thermostat fixing clamp	1			BI1462 114	M			
80		Lock-nut	1			BI1462 106	M			
81	H03-727	Flat gasket 3/8" O.D 15 mm, i.d. 8.5 mm	2	BI1202 105			M			
82	H50-811	Expansion vessel connection pipe	1	BI1212 111			M			
84		Expansion vessel holder	1			BI1462 105	M			
85		Expansion vessel	1			BI1462 100	B	Zilmet - Italy	13S0000706	
86		Connection spring	1			BI1282 112	F			
87		Condensate discharge pipe	1			BI1462 108	M			
88	H20-972	Connection spring	1	BI1262 117			F			
89		Condensate trap	1			BI1462 104	M			
90	H38-903	Condensate connection hose	1	BI1253 104			M			
91	169-104	Grommet	4	BI1002 113			M			
92	H20-990	Fork	1	BI1262 120			M			
94	H20-992	Screw 5X16	2	BI1262 115			F			
95		Pump (motor)	1			BI1462 109	B			
96	E83-114	Pump gasket	1	BI1172 113			M			

CONTINUATION SHEET

Sheet 5 of 8

Appliance number(s) 47-583-21, 47-583-22, 47-583-23

(a)	(b)	(c)	(d)	(e)	(f)	(g)	(h)	(i)	(j)	(k)
Key no.	GC Part Number	Description	No. Off	Makers part number which have a CG number	Maker's old part number which have since been changed	Maker's new part number which DO NOT have a GC number	M B F	Original Supplier	Original Supplier part number	Retail price excl. VAT
97		Pump (complete)	1			BI1462 103	M	Wilo	INTNFSL12/5-HE-1-12 59W	
98	H20-945	O-ring gasket 17,04x4,00	1	BI1212 112			M			
99	H20-986	Automatic air purger valve	1	BI1212 107			M			
100		Condensing heat exchanger inlet pipe	1			BI1462 110	M			
101		Condensing heat exchanger outlet pipe	1			BI1462 116	M			
102	402-255	Screw M5x12 - BZP RPH	7	BI1462 111			F			
103	405-123	Washer zinc plated 5,3x10 mm	4	BI1462 112			F			
104	H20-970	O-ring gasket 2,62x17.86	2	BI1262 112			M			
105		Coupling flange	2			BI1462 113	M			
106		O-ring gasket 2,62x44,16	2			BI1462 117	M			
107	H74-553	Spring mounting temperature probe	1	BI1442 106			M			
108		Electrode gasket	2			BI1313 109	M			
109		Ignition electrode	1			BI1313 105	M			
110	402-155	Screw M4x10 - BZP RPH	7	KI1022 204			F			
111		Burner Activ A 25C	1			BI1313 100	B	Polidoro		
111 A		Burner Activ A 30C, Activ A 35C	1			BI1313 101	B	Worgas		
112		Air-gas gasket	1			BI1313 108	M			
113		Air-gas manifold	1			BI1313 107	M			
114		Fan gasket	1			BI1313 111	M			
115	402-219	Screw M4x10 - BZP Countersunk recessed	2	BI1313 112			F			
116	H38-903	Air hose	1	BI1253 104			M			
117		Air hose wrapper	2			BI1341 107	B			
118	H38-905	Air hose clamp	1	BI1253 115			B			
119	H08-602	Gas valve on-off operator coils	1	BI1093 107			B	Sit	0.967.158	
120	405-406	Toothed lock washer ET zinc plated 4,5x8 mm	1	KI1066 209			F			

CONTINUATION SHEET

Sheet 6 of 8

Appliance number(s) 47-583-21, 47-583-22, 47-583-23

(a)	(b)	(c)	(d)	(e)	(f)	(g)	(h)	(i)	(j)	(k)
Key no.	GC Part Number	Description	No. Off	Makers part number which have a CG number	Maker's old part number which have since been changed	Maker's new part number which DO NOT have a GC number	M B F	Original Supplier	Original Supplier part number	Retail price excl. VAT
121	H38-937	Connection spring	2	BI1253 116			F			
122	H58-691	Gas pipe fixing fork	1	BI1273 102			M			
123	H58-703	O-ring gasket 2x13 NBR	1	BI1273 104			M			
124	E01-187	Flue pressure switch tube	1	BI1016 107			M			
125	402-124	Screw M4x8 mm Recessed pan head Mild steel BS4183	2	BI1013 114			F			
		Bringht zinc plate BS3382 Clear passiv.								
126		Gas valve	1			BI1313 103	B	Sit	0.848.135	
127		Gas restrictor Activ A 25C NG (natural gas)	1			BI1313 504	M			
127 A		Gas restrictor Activ A 25C Propane	1			BI1313 503	M			
127 B		Gas restrictor Activ A 30C NG (natural gas)	1			BI1273 109	M			
127 C		Gas restrictor Activ A 30C Propane	1			BI1313 502	M			
127 D		Gas restrictor Activ A 35C NG (natural gas)	1			BI1313 501	M			
127 E		Gas restrictor Activ A 35C Propane	1			BI1313 500	M			
128		Gas pipe	1			BI1313 106	M			
129	H58-705	Air-box assembly Activ A 25C	1	BI1273 100			M			
129 A		Air-box assembly Activ A 30C	1			BI1313 110	M			
129 B	H58-707	Air-box assembly Activ A 35C	1	BI1273 101			M			
130	H38-956	O-ring gasket 3,53x61,91 NBR	1	BI1253 114			M			
131		Fan	1			BI1313 102	B	EBM PAPST	NRG118-080	
132		Detection electrode	1			BI1313 104	M			
133	E90-690	Wall mounting plate	1	BI1084 113			M			
134	E83-136	Tap 3/4" - c.h.	2	BI1084 105			B			
135	E83-137	Tap 1/2" - d.h.w.	2	BI1084 101			B			
136	E83-138	Tap 3/4" - gas	1	BI1084 100			B			
137		Filling loop flexible hoose	1			BI1164 107	M			

CONTINUATION SHEET

Sheet 7 of 8

Appliance number(s) 47-583-21, 47-583-22, 47-583-23

(a)	(b)	(c)	(d)	(e)	(f)	(g)	(h)	(i)	(j)	(k)
Key no.	GC Part Number	Description	No. Off	Makers part number which have a CG number	Maker's old part number which have since been changed	Maker's new part number which DO NOT have a GC number	M B F	Original Supplier	Original Supplier part number	Retail price excl. VAT
138		Filling loop double check valve	1			BI1164 105	M			
139		Filling loop stop valve	1			BI1164 106	M			
140		Fork	5			BI1044 101	M			
141		Prefitting plate	1			BI1164 100	M			
142		Pipe 22 mm dia gas and c.h. flow	1			BI1164 102	M			
143		Pipe 15 mm dia (bent) d.h.w.	1			BI1164 101	M			
144	E01-226	Nut 1/2"	1	BI1004 101			M			
145		Pipe 15 mm dia d.c.w.	1			BI1164 103	M			
146		C.h. connection return pipe	1			BI1164 104	M			
147		Remote/External temp. probe terminal block	1			BI1805 107	B	Odoardo Korner	OK-433/6-NY-LP-SPM	
148		Electric supply/room thermostat terminal block	1			BI2035 108	B	Odoardo Korner	OK-433-FV-LP-SPM 06	
149		Main electronic control - ignition p.c.b.	1			BI2035 100	M			
150	E23-792	Fuse 2 AF 250VAC 5x20	2	BI1165 112			B			
151		Control panel box	1			BI2035 102	M			
152		Control panel lid	1			BI2035 103	M			
153		Control panel electronic p.c.b.	1			BI2035 101	M			
154		Control panel bracket	1			BI2035 104	M			
155		Pressure gauge	1			BI1695 101	M			
156		Pressure gauge gasket	1			BI2035 105	M			
157		Cable gland	3			BI2035 106	M			
158		Main electronic p.c.b. box	1			BI2035 107	M			
159		Sensors cable	1			BI2045 101	M			
160		Ignition electrode earth cable	1			BI2045 102	M			
161		Electricity supply and electrical equipment to 230V cable	1			BI2045 100	M			
162		Dummy jumper cable	1			BI2045 105	M			

DRAFT BRITISH GAS PART LIST

Date _____
 Sheet 1 of 6
 Manufacturer Biasi SpA – Italy
 Appliance(s) Activ A 18S, Activ A 25S, Activ A 30S
 GC Appliance Number(s) 41–583–11, 41–583–12,41–583–13
 Contract Name _____
 Telephone Number _____

(a)	(b)	(c)	(d)	(e)	(f)	(g)	(h)	(i)	(j)	(k)
Key no.	GC Part Number	Description	No. Off	Makers part number which have a CG number	Maker's old part number which have since been changed	Maker's new part number which DO NOT have a GC number	M B F	Original Supplier	Original Supplier part number	Retail price excl. VAT
		Position of data badge: inner side of left case panel								
		Instructions booklets set	1			BI1913 517	M			
1	E23–759	Safety valve connection	1	BI1001 127			M			
2		Safety valve connection pipe	1			BI1371 101	M			
3	E83–013	Safety valve 3 bar	1	BI1131 100			B	Watts Intermes	3 bar	
4		Grommet	2			BI1301 109	M			
8	E00–669	Drainage valve	1	BI1011 104			B	Watts Intermes – Caldaro Italy	RSR8 1/4"	
9		Drainage pipe	1			BI1371 106	M			
14	E83–144	O–ring gasket 1,78 x 6,75	1	BI1475 119			M			
16	169–026	Fork P.20.5	3	KI1031 101			M			
22	169–033	Flat gasket 3/4"	7	BI1001 108			M			
23	402–325	Screw M6x10 – BZP RPH	2	BI1172 115			F			
24	169–141	Gasket 1/2"	3	BI1001 106			M			
29	H50–475	O–ring gasket 1,78x10,82	1	BI1181 110			M			
30		Return group	1			BI1371 102	M			
32	169–015	Fork P.14	1	KI1042 101			M			
41		O–ring gasket 2,62x11,91	1			BI1301 112	M			
44		By–pass pipe	1			BI1371 103	M			
46	H20–987	Pump connection fork	3	BI1262 116			M			
50	H74–529	O–ring gasket 2,62x15,54	1	BI1351 102			M			
51	H74–530	Flow group kit d.h.w. plug	1	BI1351 103			M			
53	H74–532	O–ring gasket 2,62x17,96	2	BI1351 105			M			
55	H74–535	Tapping screw 5x12	3	BI1351 107			F			
61	H74–539	Fork P11	1	BI1351 112			M			
62	H74–540	O–ring gasket 1,90x8,90	1	BI1351 113			M			

CONTINUATION SHEET

Sheet 2 of 6

Appliance number(s) 41-583-11, 41-583-12, 41-583-13

(a)	(b)	(c)	(d)	(e)	(f)	(g)	(h)	(i)	(j)	(k)
Key no.	GC Part Number	Description	No. Off	Makers part number which have a CG number	Maker's old part number which have since been changed	Maker's new part number which DO NOT have a GC number	M B F	Original Supplier	Original Supplier part number	Retail price excl. VAT
63	409-722	Tapping Screw ISO No8 B 4,2x9,5 Recessed Pan Head	34	BI1013 110			F			
		Hardened Steel BS4174 Bright Zinc plate BS1706 Clear								
		Passivated								
64	E23-757	Toothed lock washer external 6,4 mm	1	BI1001 124			F			
65	E00-670	Screw M6x8 - BZP RPH	1	BI1001 123			F			
66		Water groups assembling plate	1			BI1371 104	M			
67	H74-541	Threaded connection c.h.	1	BI1351 114			M			
68	H74-542	Fork P26	1	BI1351 115			M			
69	H20-981	O-ring gasket 2X17	2	BI1262 114			M			
70	H74-543	Flow group kit c.h.	1	BI1351 116			M			
71	H74-544	By-pass kit	1	BI1351 117			M			
72	H74-545	Primary circuit pressure switch	1	BI1351 118			M			
73	H74-575	Flue outlet gasket	1	BI1536 101			M			
74		Screw M6x14 - BZP RPH	4			BI1462 118	F			
75		Condensing heat exchanger Activ A 18S	1			BI1462 101	M			
75 A		Condensing heat exchanger Activ A 25S, Activ A 30S	1			BI1462 102	M			
76	H58-661	Flue temperature probe NTC	1	BI1432 102			M			
77	E83-101	Overheat thermostat	1	BI1172 105			B	Elth	261 105°C	
78	402-049	Screw M3x8 - BZP RPH	2	BI1462 115			F			
79		Overheat thermostat fixing clamp	1			BI1462 114	M			
80		Lock-nut	1			BI1462 106	M			
81	H03-727	Flat gasket 3/8" O.D 15 mm, i.d. 8.5 mm	2	BI1202 105			M			
82		Expansion vessel connection pipe	1			BI1472 101	M			
83	H20-996	O-ring gasket 2,62X9,92	1	BI1262 113			M			
84		Expansion vessel holder	1			BI1462 105	M			

CONTINUATION SHEET

Sheet 3 of 6

Appliance number(s) 41-583-11, 41-583-12, 41-583-13

(a)	(b)	(c)	(d)	(e)	(f)	(g)	(h)	(i)	(j)	(k)
Key no.	GC Part Number	Description	No. Off	Makers part number which have a CG number	Maker's old part number which have since been changed	Maker's new part number which DO NOT have a GC number	M B F	Original Supplier	Original Supplier part number	Retail price excl. VAT
85		Expansion vessel	1			BI1462 100	B	Zilmet - Italy	13S0000706	
86		Connection spring	1			BI1282 112	F			
87		Condensate discharge pipe	1			BI1462 108	M			
88	H20-972	Connection spring	1	BI1262 117			F			
89		Condensate trap	1			BI1462 104	M			
90	H38-903	Condensate connection hose	1	BI1253 104			M			
91	169-104	Grommet	4	BI1002 113			M			
92	H20-990	Fork	1	BI1262 120			M			
93	169-040	Fork	1	KI1042 115			M			
94	H20-992	Screw 5X16	2	BI1262 115			F			
95		Pump (motor)	1			BI1462 109	B			
96	E83-114	Pump gasket	1	BI1172 113			M			
97		Pump (complete)	1			BI1472 100	M	Wilo	INTNFSL12/5-HE-1-12 59W U/W open	
98	H20-945	O-ring gasket 17,04x4,00	1	BI1212 112			M			
99	H20-986	Automatic air purger valve	1	BI1212 107			M			
100		Condensing heat exchanger inlet pipe	1			BI1462 110	M			
101		Condensing heat exchanger outlet pipe	1			BI1462 116	M			
102	402-255	Screw M5x12 - BZP RPH	7	BI1462 111			F			
103	405-123	Washer zinc plated 5,3x10 mm	4	BI1462 112			F			
104	H20-970	O-ring gasket 2,62x17,86	2	BI1262 112			M			
105		Coupling flange	2			BI1462 113	M			
106		O-ring gasket 2,62x44,16	2			BI1462 117	M			
107	H74-553	Spring mounting temperature probe	1	BI1442 106			M			
108		Electrode gasket	2			BI1313 109	M			

CONTINUATION SHEET

Sheet 4 of 6

Appliance number(s) 41-583-11, 41-583-12, 41-583-13

(a)	(b)	(c)	(d)	(e)	(f)	(g)	(h)	(i)	(j)	(k)
Key no.	GC Part Number	Description	No. Off	Makers part number which have a CG number	Maker's old part number which have since been changed	Maker's new part number which DO NOT have a GC number	M B F	Original Supplier	Original Supplier part number	Retail price excl. VAT
109		Ignition electrode	1			BI1313 105	M			
110	402-155	Screw M4x10 – BZP RPH	7	KI1022 204			F			
111		Burner Activ A 18S	1			BI1313 100	B	Polidoro		
111 A		Burner Activ A 25S, Activ A 30S	1			BI1313 101	B	Worgas		
112		Air – gas gasket	1			BI1313 108	M			
113		Air – gas manifold	1			BI1313 107	M			
114		Fan gasket	1			BI1313 111	M			
115	402-219	Screw M4x10 – BZP Countersunk recessed	2	BI1313 112			F			
116	H38-903	Air hose	1	BI1253 104			M			
117		Air hose wrapper	2			BI1341 107	B			
118	H38-905	Air hose clamp	1	BI1253 115			B			
119	H08-602	Gas valve on – off operator coils	1	BI1093 107			B	Sit	0.967.158	
120	405-406	Toothed lock washer ET zinc plated 4,5x8 mm	1	KI1066 209			F			
121	H38-937	Connection spring	2	BI1253 116			F			
122	H58-691	Gas pipe fixing fork	1	BI1273 102			M			
123	H58-703	O – ring gasket 2x13 NBR	1	BI1273 104			M			
124	E01-187	Flue pressure switch tube	1	BI1016 107			M			
125	402-124	Screw M4x8 mm Recessed pan head Mild steel BS4183	2	BI1013 114			F			
		Bringht zinc plate BS3382 Clear passiv.								
126		Gas valve	1			BI1313 103	B	Sit	0.848.135	
127		Gas restrictor Activ A 18S NG (natural gas)	1			BI1313 504	M			
127 A		Gas restrictor Activ A 18S Propane	1			BI1313 503	M			
127 B		Gas restrictor Activ A 25S NG (natural gas)	1			BI1273 109	M			
127 C		Gas restrictor Activ A 25S Propane	1			BI1313 502	M			
127 D		Gas restrictor Activ A 30S NG (natural gas)	1			BI1313 501	M			

CONTINUATION SHEET

Sheet 5 of 6

Appliance number(s) 41-583-11, 41-583-12,41-583-13

(a)	(b)	(c)	(d)	(e)	(f)	(g)	(h)	(i)	(j)	(k)
Key no.	GC Part Number	Description	No. Off	Makers part number which have a CG number	Maker's old part number which have since been changed	Maker's new part number which DO NOT have a GC number	M B F	Original Supplier	Original Supplier part number	Retail price excl. VAT
127 E		Gas restrictor Activ A 30S Propane	1			BI1313 500	M			
128		Gas pipe	1			BI1313 106	M			
129	H58-705	Air-box assembly Activ A 18S	1	BI1273 100			M			
129 A		Air-box assembly Activ A 25S	1			BI1313 110	M			
129 B	H58-707	Air-box assembly Activ A 30S	1	BI1273 101			M			
130	H38-956	O-ring gasket 3,53x61,91 NBR	1	BI1253 114			M			
131		Fan	1			BI1313 102	B	EBM PAPST	NRG118-080	
132		Detection electrode	1			BI1313 104	M			
133	E90-690	Wall mounting plate	1	BI1084 113			M			
134	E83-136	Tap 3/4" - c.h.	2	BI1084 105			B			
136	E83-138	Tap 3/4" - gas	1	BI1084 100			B			
137		Filling loop flexible hoose	1			BI1164 107	M			
138		Filling loop double check valve	1			BI1164 105	M			
139		Filling loop stop valve	1			BI1164 106	M			
140		Fork	3			BI1044 101	M			
141		Prefitting plate	1			BI1164 100	M			
142		Pipe 22 mm dia gas and c.h.	2			BI1164 102	M			
147		Remote/External temp. probe terminal block	1			BI1805 107	B	Odoardo Korner	OK-433/6-NY-LP-SPM	
148		Electric supply/room thermostat terminal block	1			BI2035 108	B	Odoardo Korner	OK-433-FV-LP-SPM 06	
149		Main electronic control - ignition p.c.b.	1			BI2035 100	M			
150	E23-792	Fuse 2 AF 250VAC 5x20	2	BI1165 112			B			
151		Control panel box	1			BI2035 102	M			
152		Control panel lid	1			BI2035 109	M			
153		Control panel electronic p.c.b.	1			BI2035 101	M			
154		Control panel bracket	1			BI2035 104	M			

CONTINUATION SHEET

Sheet 6 of 6

Appliance number(s) 41-583-11, 41-583-12, 41-583-13

(a)	(b)	(c)	(d)	(e)	(f)	(g)	(h)	(i)	(j)	(k)
Key no.	GC Part Number	Description	No. Off	Makers part number which have a CG number	Maker's old part number which have since been changed	Maker's new part number which DO NOT have a GC number	M B F	Original Supplier	Original Supplier part number	Retail price excl. VAT
155		Pressure gauge	1			BI1695 101	M			
156		Pressure gauge gasket	1			BI2035 105	M			
157		Cable gland	3			BI2035 106	M			
158		Main electronic p.c.b. box	1			BI2035 107	M			
159		Sensors cable	1			BI2045 109	M			
160		Ignition electrode earth cable	1			BI2045 102	M			
161		Electricity supply and electrical equipment to 230V cable	1			BI2045 108	M			
162		Dummy jumper cable	1			BI2045 105	M			
163		Time switch cable	1			BI2045 104	M			
164		Earth wiring	1			BI2045 103	M			
165		Main electronic control p.c.b. – Control panel electronic	1			BI2045 106	M			
		p.c.b. controls wiring								
166		Pump capacitor	1			BI2045 107	M			
167	169-110	Flue pipe gasket	1	BI1016 104			M			
168	H40-757	Twin flue cover plate	2	BI1366 114			M			
169	E01-184	Gasket – Air intake twin kit	2	BI1016 101			M			
170		Side case panel	2			BI1556 100	M			
171		Front case panel	1			BI1556 101	M			
172	405-274	Washer zinc plated 5,5x15 mm	2	BI1556 102			F			
173	402-230	Screw M5x30 – BZP Pan head recessed	2	KI1093 120			F			
174	H21-070	Air restrictor d. 50	1	BI1406 115			M			