



# Spare Parts List

M96.24SM/P

M96.28SM/P

M96.32SM/P

M96.28SR/P

M96.32SR/P

**Issue 03/2008**

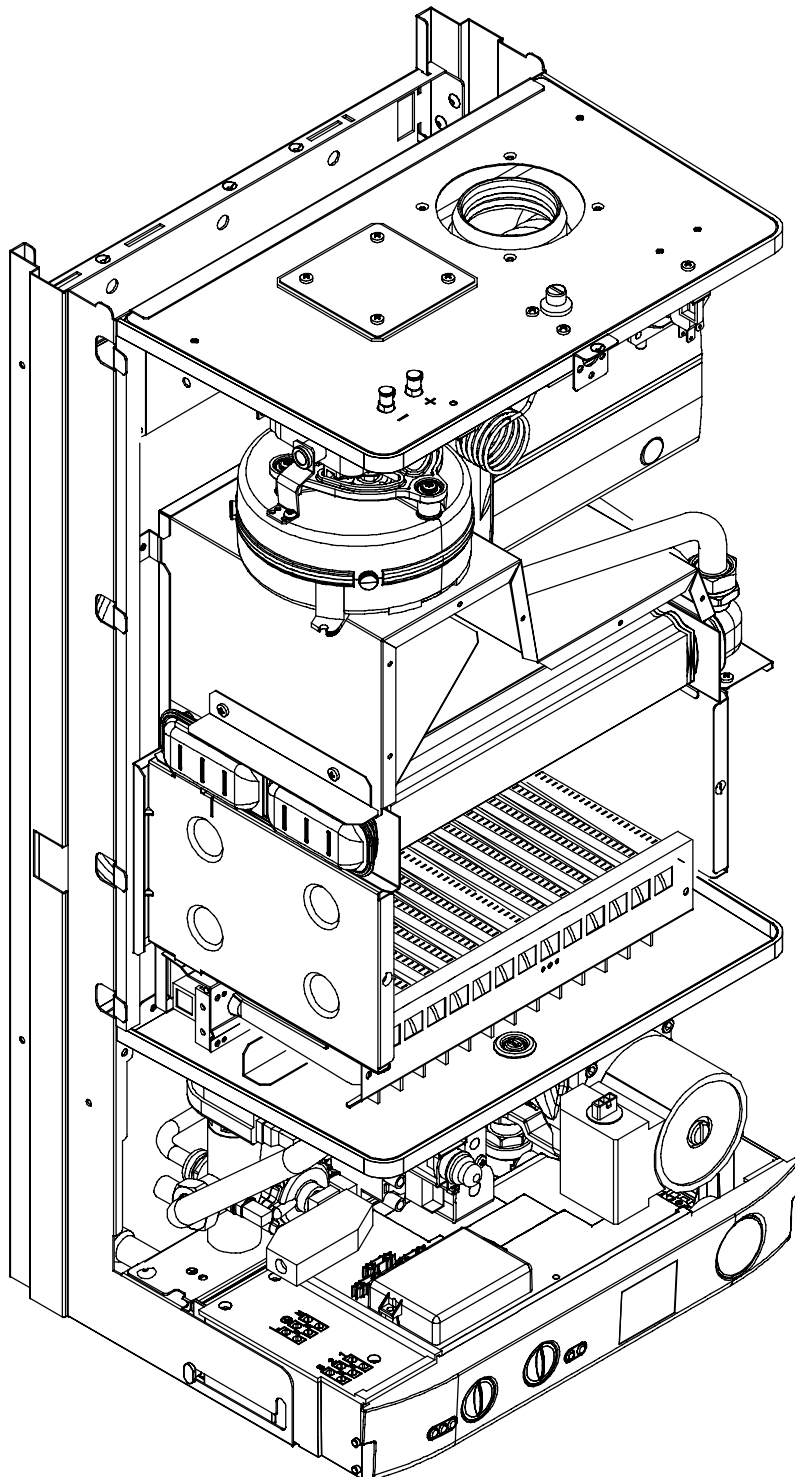
Table description	Issue	n. of pages
Overall view	03/2008	1
C.h. return group and d.h.w. heat exchanger	03/2008	1
C.h. flow group and three way diverter valve	03/2008	1
C.h. flow and return groups M96.28SR/P M96.32SR/P	03/2008	1
Pump and main circuit assembly	03/2008	1
Pump and main circuit assembly M96.28SR/P M96.32SR/P	03/2008	1
Gas assembly	03/2008	1
Valves and connection pipes	03/2008	1
Control panel and ignition device	03/2008	1
Wiring	03/2008	1
Fan, combustion chamber and case panels	03/2008	1
List of parts M96.24SM/P M96.28SM/P M96.32SM/P	03/2008	9
List of parts M96.28SR/P M96.32SR/P	03/2008	7

M96.24SM/P  
M96.28SM/P  
M96.32SM/P  
M96.28SR/P  
M96.32SR/P

47-583-08  
47-583-09  
47-583-10  
41-583-05  
47-583-06

Overall view

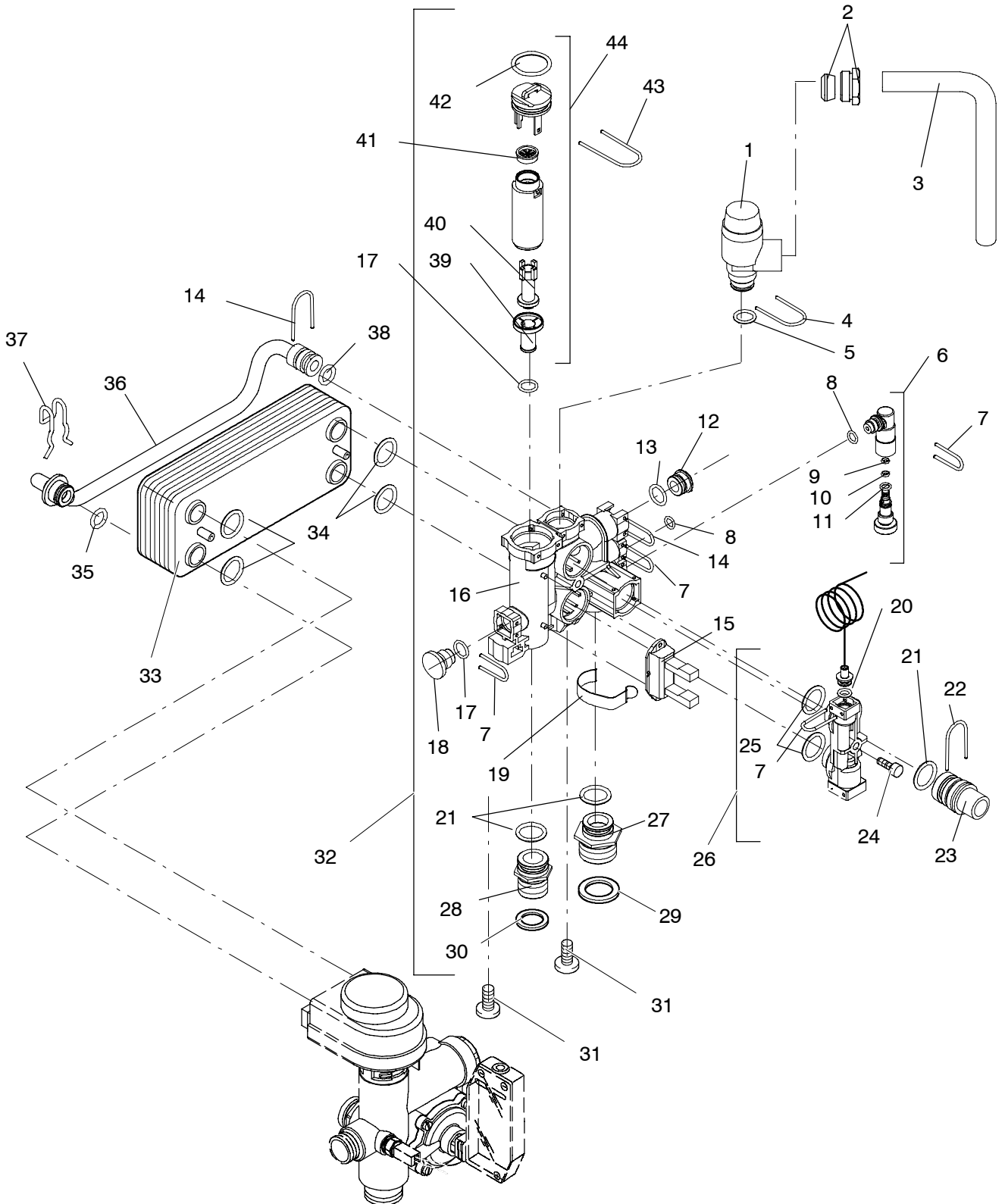
DATA BADGE: inner side of left case panel



M96.24SM/P  
M96.28SM/P  
M96.32SM/P

47-583-08  
47-583-09  
47-583-10

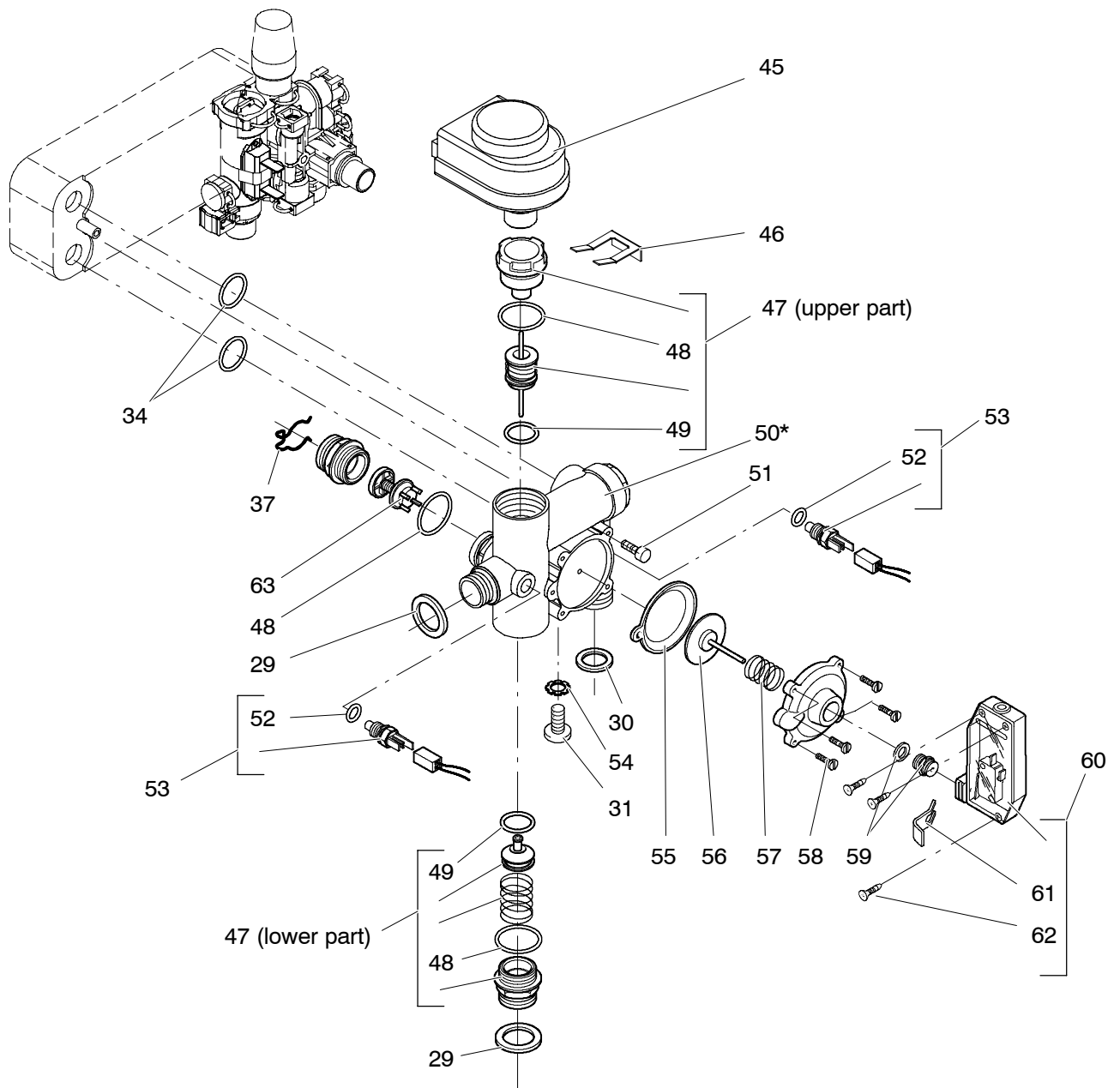
C.h. return group and d.h.w. heat exchanger



M96.24SM/P  
M96.28SM/P  
M96.32SM/P

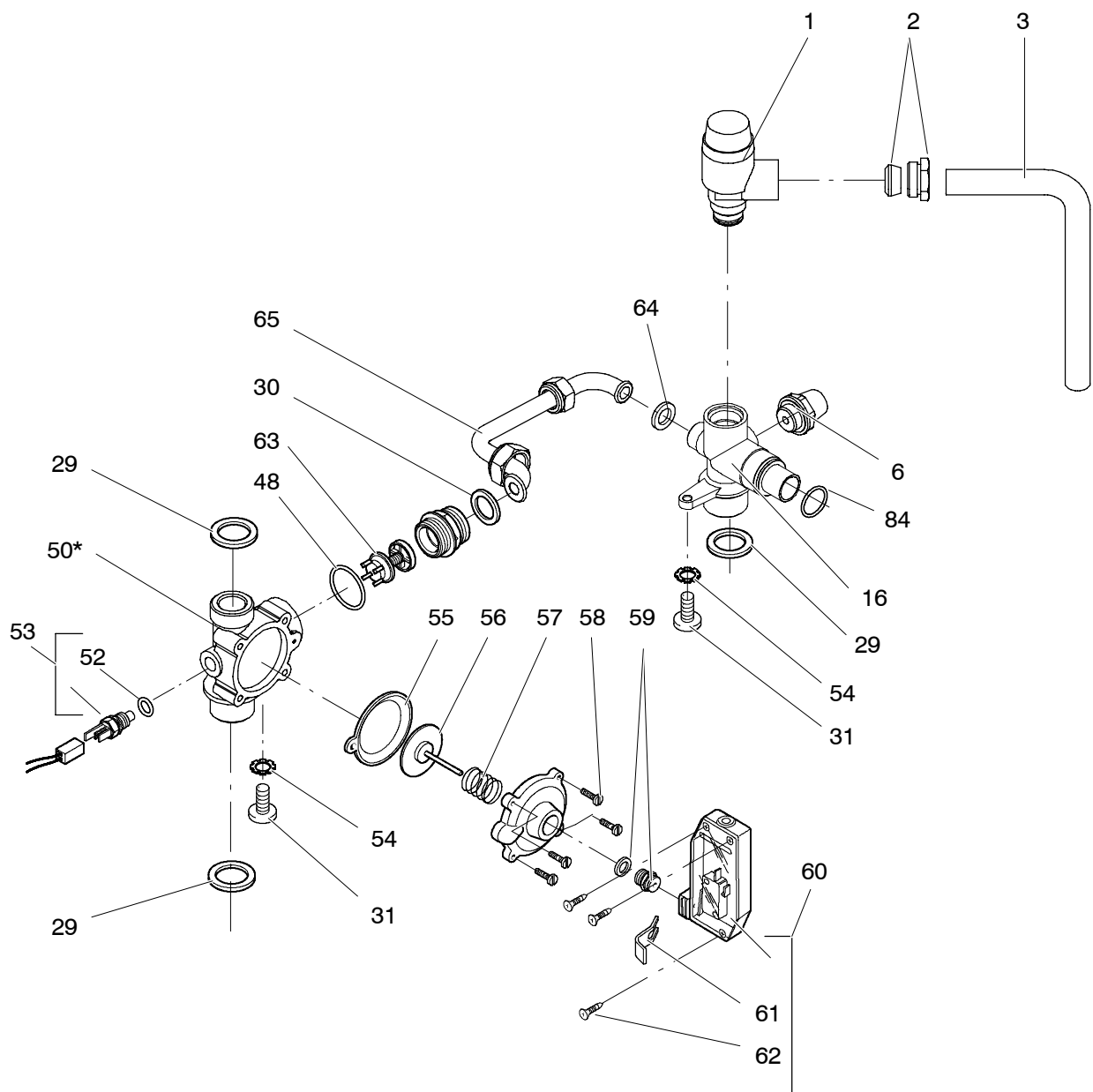
47-583-08  
47-583-09  
47-583-10

C.h. flow group and three way diverter valve



\* Includes items 47, 55, 56, 57, 58, 59, 48, 63

C.h. flow and return groups

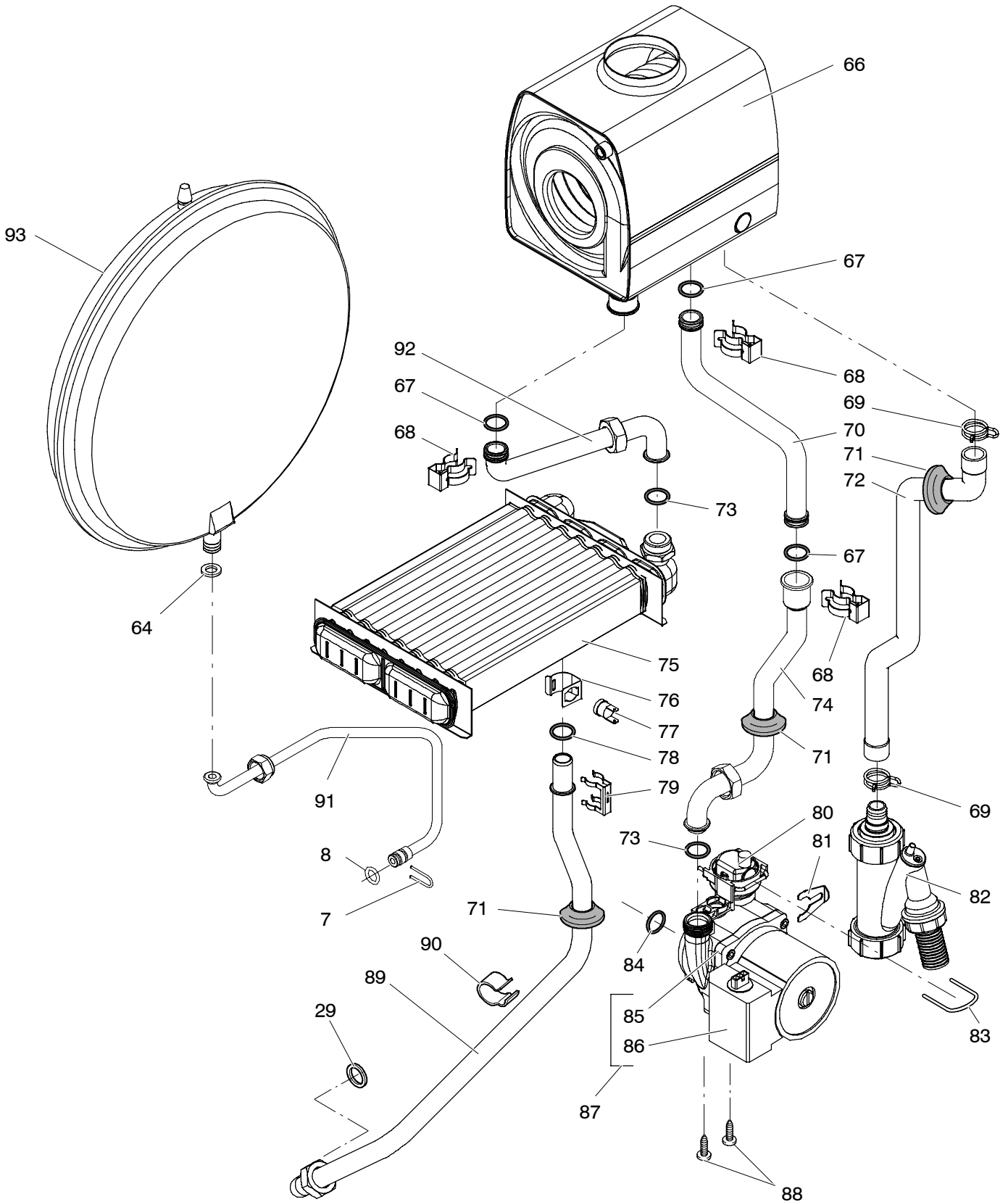


\* Includes items 48, 55, 56, 57, 58, 59, 63

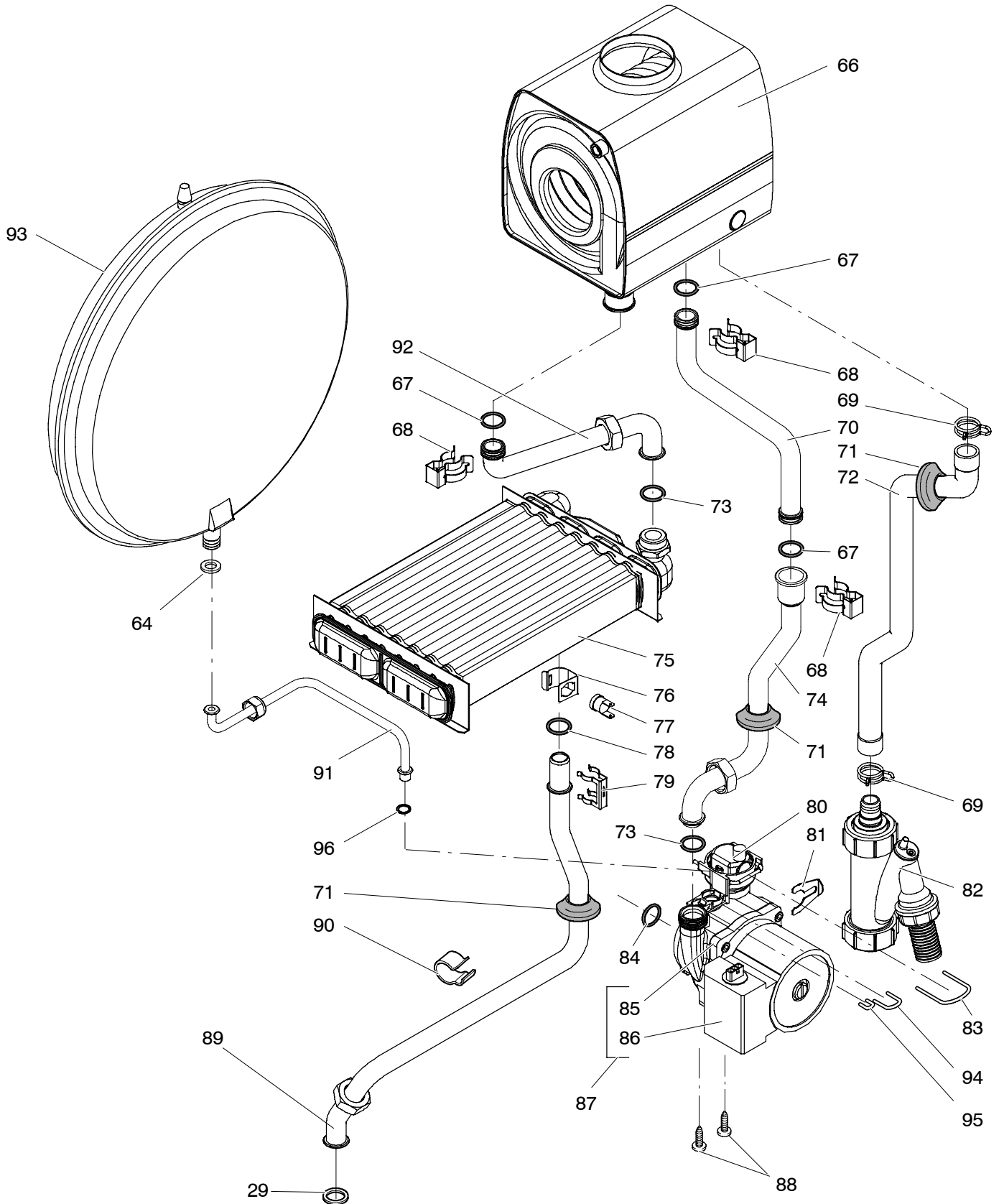
M96.24SM/P  
M96.28SM/P  
M96.32SM/P

47-583-08  
47-583-09  
47-583-10

### Pump and main circuit assembly



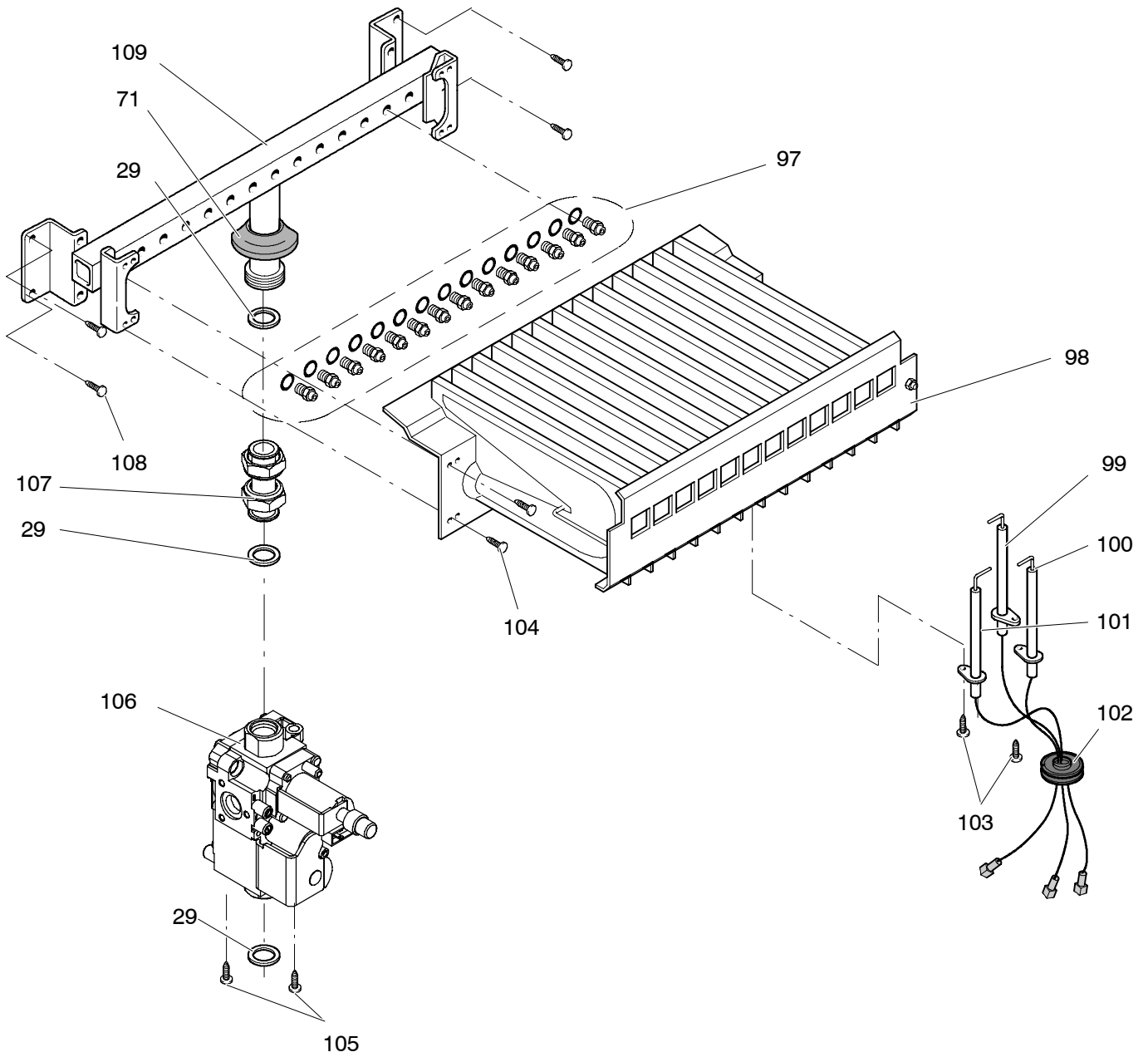
Pump and main circuit assembly



M96.24SM/P  
M96.28SM/P  
M96.32SM/P  
M96.28SR/P  
M96.32SR/P

47-583-08  
47-583-09  
47-583-10  
41-583-05  
47-583-06

### Gas assembly

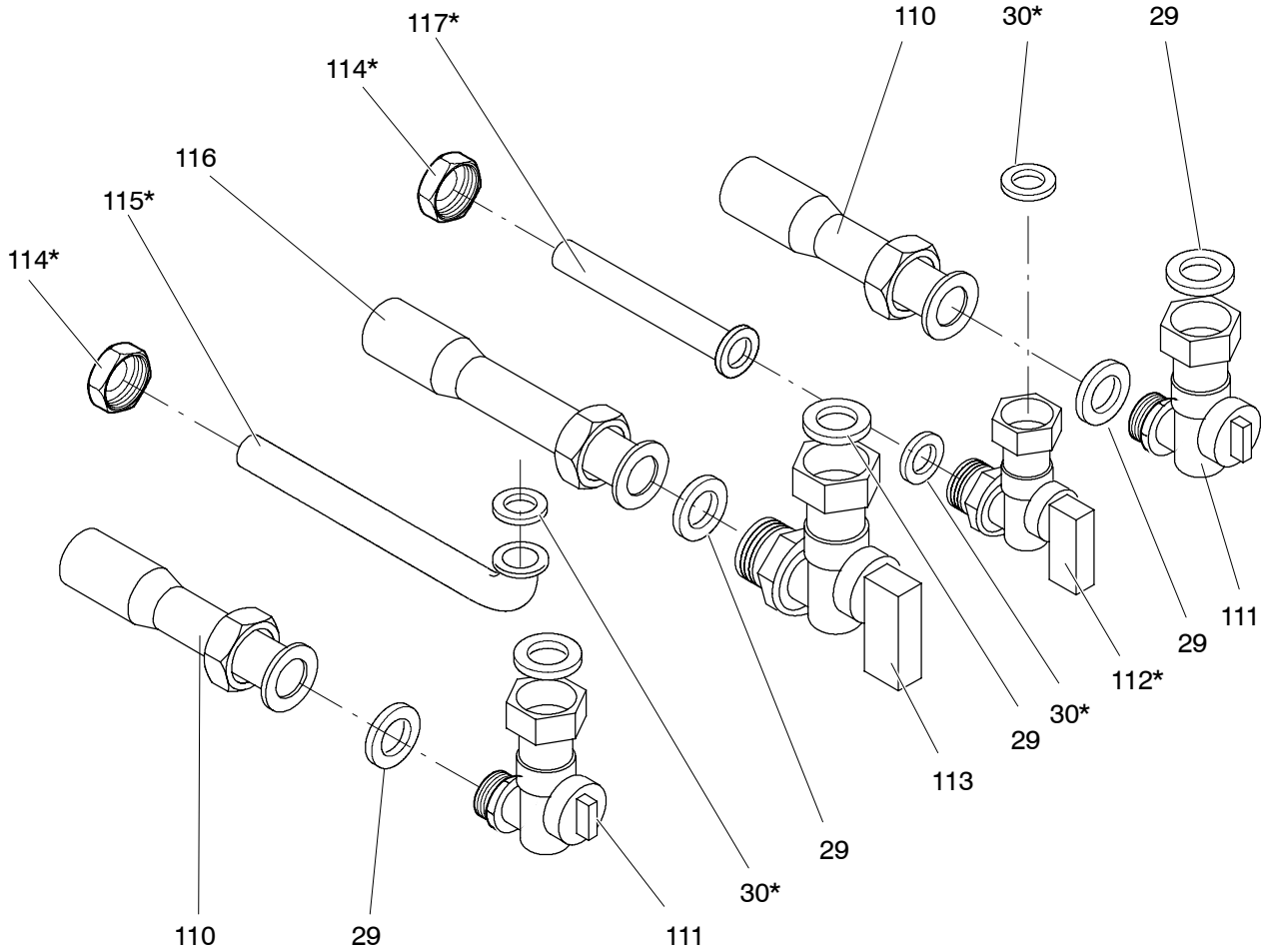




M96.24SM/P  
M96.28SM/P  
M96.32SM/P  
M96.28SR/P  
M96.32SR/P

47-583-08  
47-583-09  
47-583-10  
41-583-05  
47-583-06

### Valves and connection pipes

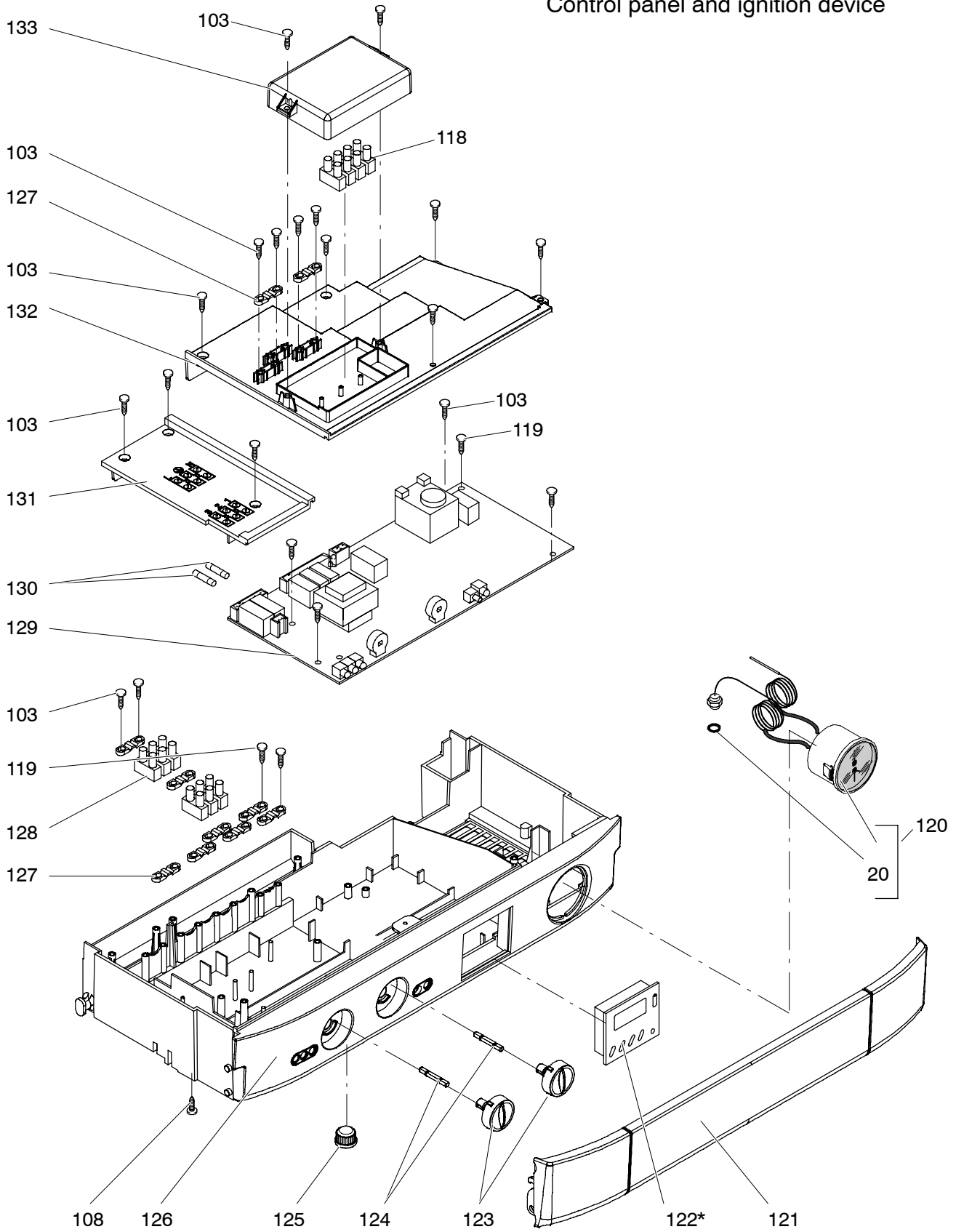


\* Not for model M96.28SR/P, M96.32SR/P

M96.24SM/P  
M96.28SM/P  
M96.32SM/P  
M96.28SR/P  
M96.32SR/P

47-583-08  
47-583-09  
47-583-10  
41-583-05  
47-583-06

Control panel and ignition device

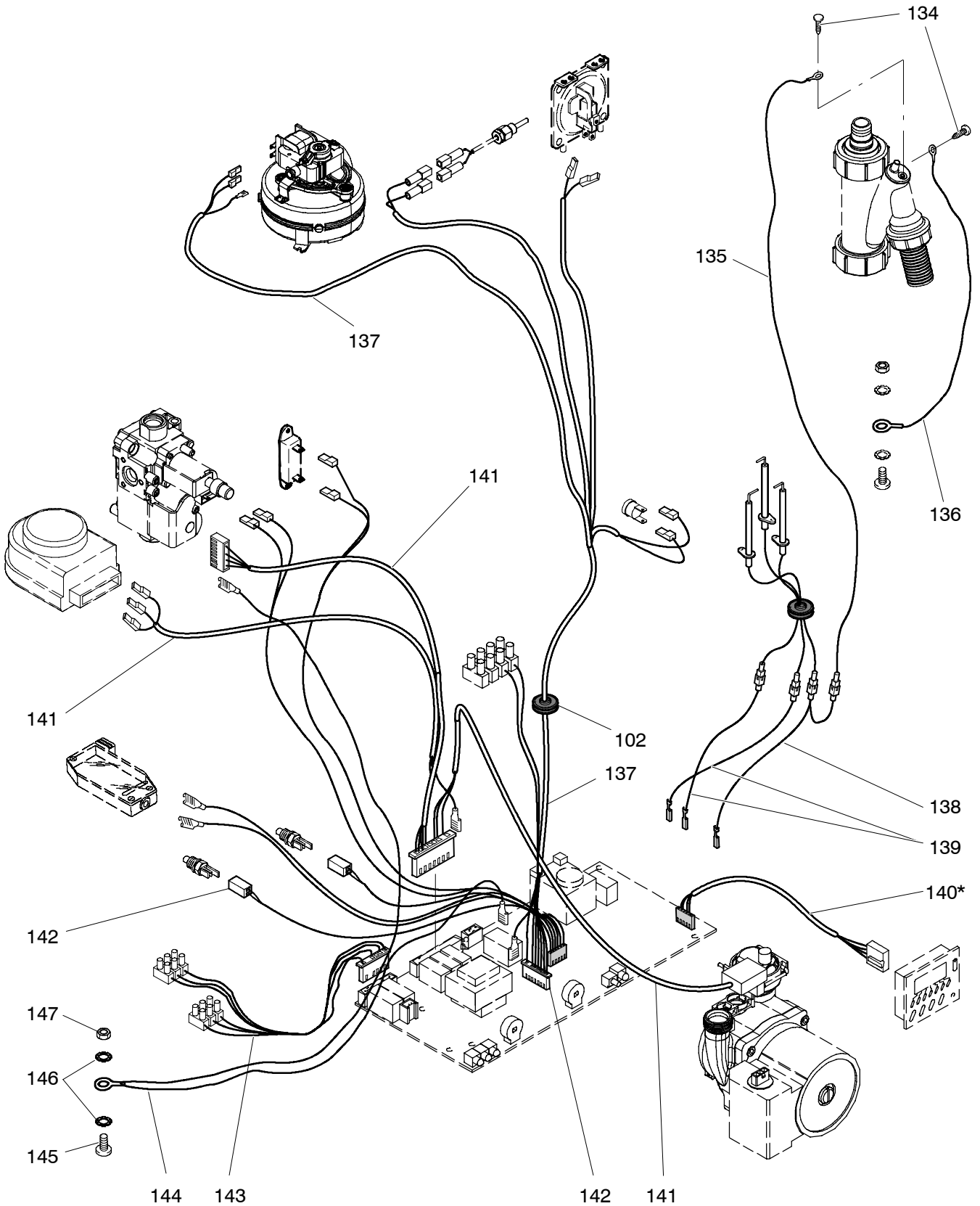


\* Not for model M96.28SR/P, M96.32SR/P

M96.24SM/P  
M96.28SM/P  
M96.32SM/P  
M96.28SR/P  
M96.32SR/P

47-583-08  
47-583-09  
47-583-10  
41-583-05  
47-583-06

Wiring

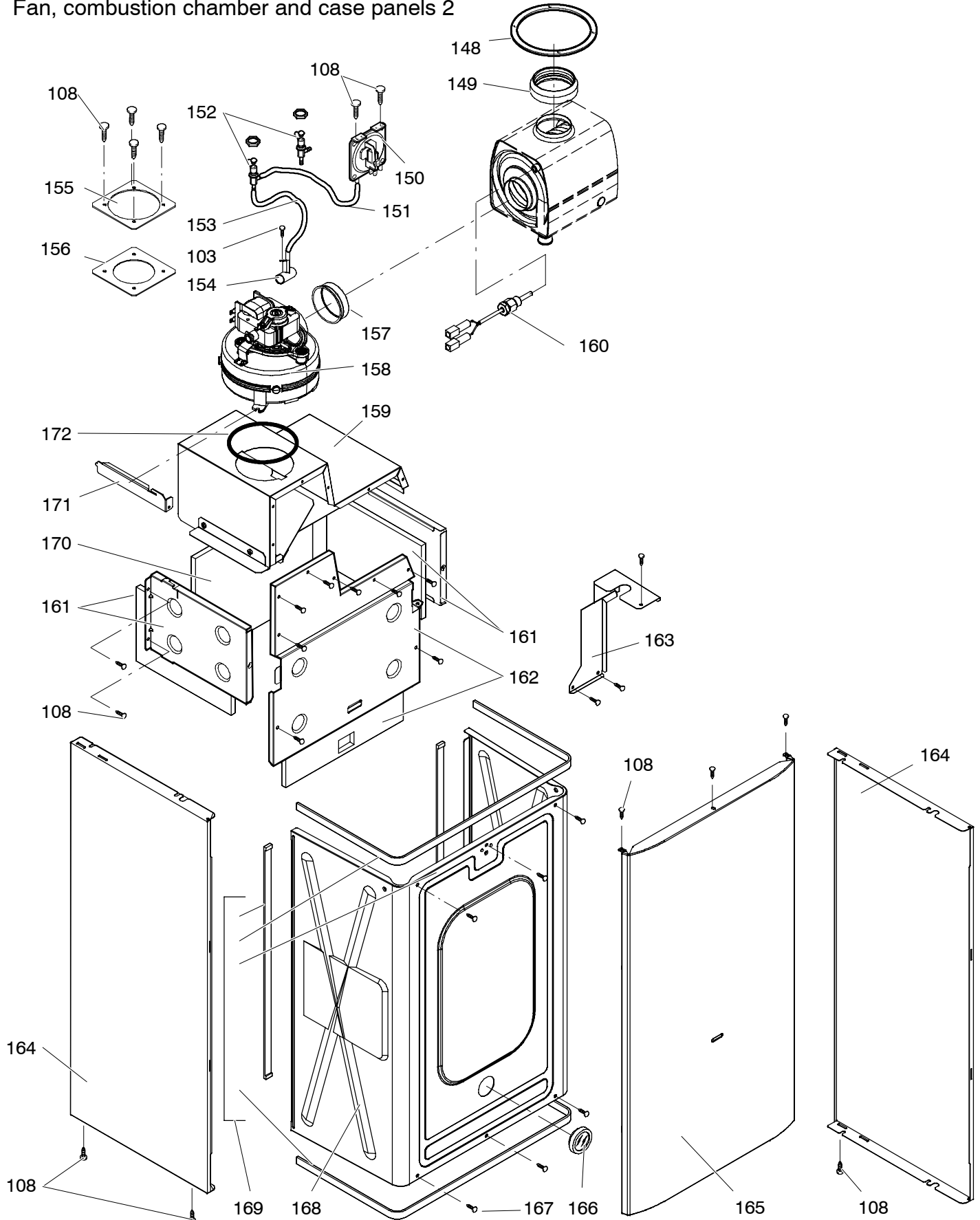


\* Not for model M96.28SR/P, M96.32SR/P

M96.24SM/P  
M96.28SM/P  
M96.32SM/P  
M96.28SR/P  
M96.32SR/P

47-583-08  
47-583-09  
47-583-10  
41-583-05  
47-583-06

### Fan, combustion chamber and case panels 2



# DRAFT BRITISH GAS PART LIST

Date \_\_\_\_\_  
 Sheet 1 of 9  
 Manufacturer Biasi SpA – Italy  
 Appliance(s) M96.24SM/P M96.28SM/P M96.32SM/P M96.32SR/P  
 GC Appliance Number(s) 47-583-08 47-583-09 47-583-10 47-583-06  
 Contract Name \_\_\_\_\_  
 Telephone Number \_\_\_\_\_

(a)	(b)	(c)	(d)	(e)	(f)	(g)	(h)	(i)	(j)	(k)
Key no.	GC Part Number	Description	No. Off	Makers part number which have a CG number	Maker's old part number which have since been changed	Maker's new part number which DO NOT have a GC number	M B F	Original Supplier	Original Supplier part number	Retail price excl. VAT
		Position of data badge: inner side of left case panel								
		Instructions booklets set	1			BI1913 510	M			
1	H50-189	Safety valve 3 bar	1	BI1181 100			B	Watts Intermes – Caldaro Italy		
								Orkli (alternative)		
2	E23-759	Safety valve connection	1	BI1001 127			M			
3	H05-158	Safety valve connection pipe	1	BI1131 106			M			
4	H50-480	Fork P.18,5	1	BI1181 101			M			
5	H05-481	O-ring 2,62 X 15,08	1	BI1181 102			M			
6	H50-398	Drainage valve	1	BI1181 501			B			
7	H50-473	Fork P.10,5	4	BI1181 107			M			
8	H50-484	O-ring 1,78 X 7,66	2	BI1182 108			M			
9	169-050	O-ring 1,78 X 2,9	1	KI1043 145			M			
10	H50-488	O-ring 1,78 X 3,69	1	BI1181 120			M			
11	169-014	O-ring 1,78 X 6,07	1	KI1002 119			M			
12	H50-482	Return group plug NTC	1	BI1181 104			M			
13	E00-668	O-ring 1,78 X 12,42	2	BI1001 115			M			
14	H50-477	Fork P.14	3	BI1181 105			M			
15	169-010	D.h.w. flow switch	1	KI1042 107			M			
16	H50-399	Return group kit	1	BI1301 100			M			
17	H50-475	O-ring 1,78 X 10,82	1	BI1181 110			M			
18	H50-478	Return group plug	1	BI1181 117			M			
19	H50-471	Reed fixing clip	1	BI1181 116			M			
20	E83-144	O-ring gasket 1,78 x 6,75	1	BI1475 119			M			
21	H50-467	O-ring 2,62 X 17,13	5	BI1181 112			M			
22	169-026	Fork P.20,5	1	KI1031 101			M			

# CONTINUATION SHEET

Sheet 2 of 9

Appliance number(s) 47-583-08 47-583-09 47-583-06 47-583-10

(a)	(b)	(c)	(d)	(e)	(f)	(g)	(h)	(i)	(j)	(k)
Key no.	GC Part Number	Description	No. Off	Makers part number which have a CG number	Maker's old part number which have since been changed	Maker's new part number which DO NOT have a GC number	M B F	Original Supplier	Original Supplier part number	Retail price excl. VAT
23	H50-487	Pump connection	1	BI1301 102			M			
24	H58-648	Screw M5x55 - Hexagon socket cap	1	BI1301 105			M			
25	H50-483	O-ring 2,62 X 18,72	2	BI1181 108			M			
26	H50-491	Filling group kit	1	BI1181 507			M			
27	H50-470	Threaded connection c.h.	2	BI1181 114			M			
28	H50-468	Threaded connection d.h.w	2	BI1181 115			M			
29	169-033	Flat gasket 3/4"	9	BI1001 108			M			
30	169-141	Gasket 1/2"	3	BI1001 106			M			
31	402-325	Screw M6x10 - BZP RPH	3	BI1172 115			F			
32	H50-492	Return group kit	1	BI1301 501			M			
33	E01-204	Exchanger DHW - M96.24SM/P	1	BI1001 101			M			
33 A	E01-205	Exchanger DHW - M96.28SM/P, M96.32SM/P	1	BI1001 102			M			
34	169-060	O-ring gasket 3,53x18,64	4	KI1043 144			M			
35	E00-668	O-ring gasket 1,78x12,42 by-pass pipe	2	BI1001 115			M			
36	H58-651	By-pass pipe	1	BI1301 104			M			
37	E00-672	By-pass pipe fixing fork	2	BI1001 111			M			
38	164-036	O-ring gasket 2,62x10,78	2	KI1002 121			M			
39	H50-490	Filter	1	BI1181 106			M			
40	169-008	Float	1	KI1042 106			M			
41	H58-649	Flow limiter 10 Litres/min	1	BI1301 103			M			
42	E00-680	O-ring 2,62 X 23,47	1	BI1011 107			M			
43	H50-479	Fork P.20	1	BI1181 103			M			
44	H50-400	Magnetic flow switch and filter kit	1	BI1181 500			M			
45	E83-086	Diverter valve actuator	1	BI1101 102			B	Elbi International SpA Collegno italy	1650/6/0	
46	E83-090	Diverter valve actuator fixing spring	1	BI1101 101			M			

# CONTINUATION SHEET

Sheet 3 of 9

Appliance number(s) 47-583-08 47-583-09 47-583-06 47-583-10

(a)	(b)	(c)	(d)	(e)	(f)	(g)	(h)	(i)	(j)	(k)
Key no.	GC Part Number	Description	No. Off	Makers part number which have a CG number	Maker's old part number which have since been changed	Maker's new part number which DO NOT have a GC number	M B F	Original Supplier	Original Supplier part number	Retail price excl. VAT
47	E83-091	Diverter valve kit	1	BI1141 501			M			
48	E00-680	O-ring gasket 2,62x23,47	4	BI1011 107			M			
49	E83-092	O-ring gasket 2,7x13,6	2	BI1011 117			M			
50	H32-555	Flow group kit	1	BI1251 501			M			
51	H44-143	Screw M5x25 - Hexagon socket cap	2	BI1131 107			F			
52	H23-733	O-ring gasket 9,25x1,78 (NTC)	2	KI1001 128			M			
53	164-026	Temperature probe (NTC)	2	BI1001 117			M			
54	E23-757	Toothed lock washer external 6,4 mm	2	BI1001 124			F			
55	E00-688	Central heating pressure switch membrane	1	BI1011 103			M			
56	E00-687	Central heating pressure switch disk	1	BI1011 111			M			
57	E00-686	Central heating pressure switch spring	1	BI1011 110			M			
58	E00-685	Screw M4x12 mm Stainless steel SCH	4	BI1011 109			F			
59	E00-681	Microswitch guide bush	1	BI1011 502			M			
60	E00-684	Microswitch kit	1	BI1011 505			M			
61	E00-683	Microswitch box fixing clip	1	BI1011 105			M			
62	E00-682	Screw 2,9x13 mm AB self tapping BZP - RCH	3	BI1011 108			F			
63	H20-966	By-pass kit	1	BI1141 505			M			
64	H03-727	Flat gasket 3/8" O.D 15 mm, i.d. 8.5 mm	2	BI1202 105			M			
66	H07-112	Condensing heat exchanger	1	BI1262 122			M			
67	H20-970	O-ring gasket 2,62x17,86	3	BI1262 112			M			
68	E83-108	Condensing heat exchanger connection clip	3	BI1172 101			M			
69	H20-972	Connection spring	2	BI1262 117			F			
70	H20-977	Condensing heat exchanger inlet pipe - upper	1	BI1262 109						
71	169-104	Grommet	4	BI1002 113			M			
72	H20-980	Condensate discharge pipe	1	BI1262 110			M			

# CONTINUATION SHEET

Sheet 4 of 9

Appliance number(s) 47-583-08 47-583-09 47-583-06 47-583-10

(a)	(b)	(c)	(d)	(e)	(f)	(g)	(h)	(i)	(j)	(k)
Key no.	GC Part Number	Description	No. Off	Makers part number which have a CG number	Maker's old part number which have since been changed	Maker's new part number which DO NOT have a GC number	M B F	Original Supplier	Original Supplier part number	Retail price excl. VAT
73	H20-981	O-ring gasket 1,9X16	2	BI1262 114			M			
74	H20-982	Condensing heat exchanger inlet pipe - lower	1	BI1262 108			M			
75	H20-984	Main exchanger M96.24SM/P	1	BI1262 101			M			
75 A	H20-985	Main exchanger M96.28SM/P M96.28SR/P	1	BI1262 102			M			
75 B	H50-420	Main exchanger M96.32SM/P M96.32SR/P	1	BI1262 130			M			
76	E94-723	Overheat thermostat fixing clip	1	BI1182 100			M			
77	E83-101	Overheat thermostat	1	BI1172 105			B	Elth	261 105°C	
78	169-025	O-ring gasket 17,04x3,53	1	KI1043 114			M			
79	E94-737	Main exchanger connection clip	1	BI1182 106			M			
80	H20-986	Automatic air purger valve	1	BI1212 107			M			
81	H20-987	Pump connection fork	1	BI1262 116			M			
82	H20-989	Condensate trap	1	BI1262 118			M			
83	H20-990	Fork	1	BI1262 120			M			
84	H20-945	O-ring gasket 17,04x4,00	5	BI1212 112			M			
85	E83-114	Pump gasket	1	BI1172 113			M			
86	H20-994	Pump (motor)	1	BI1262 119			B			
87	H58-670	Pump (complete)	1	BI1911 103			M	Wilo	NFSL12/6 HEP1 CRF9 83W	
88	H20-992	Screw 5X16	2	BI1262 115			F			
89	H20-995	Main exchanger outlet pipe	1	BI1262 106			M			
90	169-045	Probe holder	1	BI1105 108			M			
91	H63-536	Expansion vessel connection pipe	1	BI1432 110			M			
92	H27-566	Condensing heat exchanger outlet pipe	1	BI1262 107			M			
93	E83-121	Expansion vessel	1	BI1172 103			B	CIMM Srl - Castello di Godego Italy	CP387 6L	
								Zilmet - Italy (alternative)	13C0000600	
97	169-069	Injectors with gaskets 130 - NG	14	KI1064 505			B	Polidoro		



# CONTINUATION SHEET

Sheet 5 of 9

Appliance number(s) 47-583-08 47-583-09 47-583-06 47-583-10

(a)	(b)	(c)	(d)	(e)	(f)	(g)	(h)	(i)	(j)	(k)
Key no.	GC Part Number	Description	No. Off	Makers part number which have a CG number	Maker's old part number which have since been changed	Maker's new part number which DO NOT have a GC number	M B F	Original Supplier	Original Supplier part number	Retail price excl. VAT
97	A E01-156	Injectors with gaskets 75 - LPG	14	BI1003 509			B	Polidoro		
98	173-148	Burner M96.24SM/P	1	KI1004 102			B	Polidoro		
98	A 173-149	Burner M96.28SM/P M96.28SR/P M96.32SM/P	1	KI1004 147			B	Polidoro		
		M96.32SR/P								
99	E83-122	Detection electrode	1	BI1123 102			M			
100	E83-126	Ignition electrode - right	1	BI1123 103			M			
101	E83-127	Ignition electrode - left	1	BI1123 101			M			
102	169-125	Grommet	1	BI1002 115			M			
103	409-736	Tapping screw 3,5x9,5 recessed pan head	28	BI1013 115			F			
104	409-531	Taptite screw M4x8 Recessed pan head Hardened steel	4	BI1013 111			F			
		Bright Zinc Plated BS3382 Clear passivated and lanolin								
		Dipped								
105	E01-157	Screw self tapping 3,9x9,5 mm type AB Recessed Pan	2	BI1013 112			F			
		Head Bright Zinc Plated								
106	H32-602	Gas valve	1	BI1243 100			B	Honeywell	VK4105M	
107	H32-558	Gas pipe to the manifold	1	BI1243 101			M			
108	409-722	Tapping Screw ISO No8 B 4,2x9,5 Recessed Pan Head	83	BI1013 110			F			
		Hardened Steel BS4174 Bright Zinc plate BS1706 Clear								
		Passivated								
109	E83-131	Gas manifold with injectors NG M96.24SM/P	1	BI1183 103			B	Polidoro		
109	A H21-021	Gas manifold with injectors LPG M96.24SM/P	1	BI1213 101			B	Polidoro		
109	B E83-133	Gas manifold with injectors NG M96.28SM/P M96.28SR/P	1	BI1183 105			B	Polidoro		
		M96.32SM/P M96.32SR/P								
109	C H21-023	Gas manifold with injectors LPG M96.28SM/P M96.28SR/P	1	BI1213 102			B	Polidoro		
		M96.32SM/P M96.32SR/P								

# CONTINUATION SHEET

Sheet 6 of 9

Appliance number(s) 47-583-08 47-583-09 47-583-06 47-583-10

(a)	(b)	(c)	(d)	(e)	(f)	(g)	(h)	(i)	(j)	(k)
Key no.	GC Part Number	Description	No. Off	Makers part number which have a CG number	Maker's old part number which have since been changed	Maker's new part number which DO NOT have a GC number	M B F	Original Supplier	Original Supplier part number	Retail price excl. VAT
110	H21-025	C.h. connection pipe	2	BI1124 100			M			
111	E83-136	Tap 3/4" - c.h.	2	BI1084 105			B			
112	E83-137	Tap 1/2" - d.h.w.	1	BI1084 101			B			
113	E83-138	Tap 3/4" - gas	1	BI1084 100			B			
114	E01-226	Nut 1/2"	2	BI1004 101			M			
115	H21-027	Pipe 15 mm dia (bent) d.h.w.	1	BI1124 102			M			
116	E05-387	Pipe 22 mm dia gas	1	BI1014 112			M			
117	H21-030	Pipe 15 mm dia (straight) d.h.w.	1	BI1124 103			M			
118	H32-597	4 poles terminal block	1	BI1665 102			B	Odoardo Korner	OK 433-PLP-SPF	
119	409-727	Screw 3,5x16 mm self tap RPH	4	BI1165 101			F			
120	E83-145	Temperature-pressure gauge	1	BI1475 108			M			
121	H63-601	Cover panel	1	BI1715 110			M			
122	E94-738	Time switch	1	BI1525 101			B	Flash	Monotron 200 23011	
123	E94-887	Knob	2	BI1535 101			M			
124	E83-149	Shaft	2	BI1475 105			M			
125	E83-150	Control panel plug	1	BI1475 110			M			
126	H38-981	Control panel box M96.24SM/P M96.28SM/P M96.32SM/P	1	BI1715 101			M			
127	E83-152	Cable holder	10	KI1066 208			B	Fastpoint S.r.l.	1207.BB01 XS	
		Replacement for discontinued KI1066 102								
128	E83-153	Terminal block	2	BI1475 109			B	Elettrogibi	PA27	
								Odoardo Korner (alternative)	OK-433-FV	
129	H44-169	Electronic control - ignition p.c.b.	1	BI1715 105			M			
130	H44-170	Fuse 3,15AF	2	BI1295 108			B			
131	E83-155	Service panel cover	1	BI1475 111			M			
132	H21-038	Control panel cover	1	BI1605 101			M			

# CONTINUATION SHEET

Sheet 7 of 9

Appliance number(s) 47-583-08 47-583-09 47-583-06 47-583-10

(a)	(b)	(c)	(d)	(e)	(f)	(g)	(h)	(i)	(j)	(k)
Key no.	GC Part Number	Description	No. Off	Makers part number which have a CG number	Maker's old part number which have since been changed	Maker's new part number which DO NOT have a GC number	M B F	Original Supplier	Original Supplier part number	Retail price excl. VAT
133	H21-039	External controls cover	1	BI1605 102			M			
134	409-902	Screw 3,5X9,5 mm self tap RPH stainless steel	2	BI1615 104			F			
135	H21-042	Detection to trap wiring	1	BI1615 101			M			
136	H21-043	Trap to earth wiring	1	BI1615 102			M			
137	H32-567	Fan cable	1	BI1765 100			M			
138	H32-568	Flame detection electrode cable	1	BI1765 101			M			
139	H32-570	Ignition electrode cable	2	BI1765 102			M			
140	E83-163	Time switch cable	1	BI1485 111			M			
141	H32-571	Pump-diverter valve-gas valve cable	1	BI1765 103			M			
142	H63-610	Flow switches, temp. probes and modulator cable	1	BI1985 100			M			
143	H39-041	Power supply and external control cable	1	BI1675 106			M			
144	H32-583	Earth wiring	1	BI1765 108			M			
145	402-225	Machine Screw M5x10 Recessed Pan Head Mild steel	1	BI1035 109			F			
		BS4183 Bright zinc plate BS3382 Clear Passivated								
146	164-133	Toothed lock washer external 5,3x10 mm stainless	2	BI1035 110			F			
147	404-609	Full nut M5 Hexagon Steel grade 8 BS3692 Bright zinc	1	BI1035 111			F			
		plate BS3382 clear passivated								
148	169-110	Flue pipe gasket	1	BI1016 104			M			
149	H21-045	Flue outlet gasket	1	BI1406 112			M			
150	169-127	Air pressure switch M96.24SM/P M96.32SM/P	1	KI1267 103			B	Yamatake-Honeywell	C6065 0,88 mbar	
		M96.32SR/P								
150 A	H08-605	Air pressure switch M96.28SM/P M96.28SR/P	1	BI1376 104			B	Yamatake-Honeywell	C6065 1,38 mbar	
151	E83-188	Venturi device tube	1	BI1256 101			M			
152	E05-424	Air switch pressure test point	2	BI1036 101			M			
153	E01-187	Flue pressure switch tube	1	BI1016 107			M			

# CONTINUATION SHEET

Sheet 8 of 9

Appliance number(s) 47-583-08 47-583-09 47-583-06 47-583-10

(a)	(b)	(c)	(d)	(e)	(f)	(g)	(h)	(i)	(j)	(k)
Key no.	GC Part Number	Description	No. Off	Makers part number which have a CG number	Maker's old part number which have since been changed	Maker's new part number which DO NOT have a GC number	M B F	Original Supplier	Original Supplier part number	Retail price excl. VAT
154	H03-695	Venturi	1	BI1366 100			M			
155	E01-184	Gasket - Air intake twin kit	1	BI1016 101			M			
156	H21-070	Air restrictor d. 50	1	BI1406 115			M			
156 A	H21-071	Air restrictor d. 55	1	BI1406 116			M			
157	H21-047	Fan outlet gasket	1	BI1406 113			M			
158	H21-048	Fan M96.24SM/P	1	BI1406 100			B	FIME	GR 02445 47W	M
158 A	H21-049	Fan M96.28SM/P M96.28SR/P M96.32SM/P M96.32SR/P	1	BI1406 101			B	FIME	GR 02440 60W	
159	H07-876	Flue hood M96.24SM/P	1	BI1406 121			M			M
159 A	H07-877	Flue hood M96.28SM/P M96.28SR/P M96.32SM/P M96.32SR/P	1	BI1406 122			M			
160	H32-598	Flue temperature probe NTC	1	BI1342 100			M			
161	E83-178	Combustion chamber side panel	2	BI1326 100			M			
162	H07-879	Combustion chamber front panel M96.24SM/P	1	BI1406 118			M			M
162 A	H07-881	Combustion chamber front panel M96.28SM/P M96.28SR/P M96.32SM/P M96.32SR/P	1	BI1406 119			M			
163	H21-054	Air deflector - right	1	BI1406 114			M			
164	H21-052	Side case panel	2	BI1406 106			M			
165	H21-057	Front case panel	1	BI1406 107			M			
166	E69-243	Window (glass + rubber frame)	1	BI1206 118			M			
167	409-747	Screw 4,8x13 mm AB self tapping RPH BZP	4	BI1336 114			F			
168	H21-059	Sealed chamber lid	1	BI1406 105			M			
169	H21-060	Sealed chamber gaskets kit	1	BI1406 500			M			
170	E83-180	Combustion chamber rear panel M96.24SM/P	1	BI1326 107			M			
170 A	E83-181	Combustion chamber rear panel M96.28SM/P M96.28SR/P M96.32SM/P M96.32SR/P	1	BI1326 108			M			



# DRAFT BRITISH GAS PART LIST

Date \_\_\_\_\_  
 Sheet  1  of  7   
 Manufacturer  Biasi SpA – Italy   
 Appliance(s)  M96.28SR/P M96.32SR/P   
 GC Appliance Number(s)  41–583–05 47–583–06   
 Contract Name \_\_\_\_\_  
 Telephone Number \_\_\_\_\_

(a)	(b)	(c)	(d)	(e)	(f)	(g)	(h)	(i)	(j)	(k)
Key no.	GC Part Number	Description	No. Off	Makers part number which have a CG number	Maker's old part number which have since been changed	Maker's new part number which DO NOT have a GC number	M B F	Original Supplier	Original Supplier part number	Retail price excl. VAT
		Position of data badge: inner side of left case panel								
		Instructions booklets set	1			BI1913 510	M			
1	E83–013	Safety valve 3 bar	1	BI1131 100			B	Watts Interme – Caldaro Italy	3 bar	
								Orkli (alternative)	3 bar	
2	E23–759	Safety valve connection	1	BI1001 127			M			
3	H05–158	Safety valve connection pipe	1	BI1131 106			M			
6	E00–669	Drainage valve	1	BI1011 104			B	Watts Interme – Caldaro Italy	RSR8 1/4"	
16	H63–673	Return group kit	1	BI1171 105			M			
20	E83–144	O–ring gasket 1,78 x 6,75	1	BI1475 119			M			
29	169–033	Flat gasket 3/4"	9	BI1001 108			M			
30	169–141	Gasket 1/2"	3	BI1001 106			M			
31	402–325	Screw M6x10 – BZP RPH	3	BI1172 115			F			
48	E00–680	O–ring gasket 2,62x23,47	1	BI1011 107			M			
50	H27–556	Flow group kit	1	BI1171 103			M			
52	H23–733	O–ring gasket 9,25x1,78 (NTC)	1	KI1001 128			M			
53	164–026	Temperature probe (NTC)	1	BI1001 117			M			
54	E23–757	Toothed lock washer external 6,4 mm	2	BI1001 124			F			
55	E00–688	Central heating pressure switch membrane	1	BI1011 103			M			
56	E00–687	Central heating pressure switch disk	1	BI1011 111			M			
57	E00–686	Central heating pressure switch spring	1	BI1011 110			M			
58	E00–685	Screw M4x12 mm Stainless steel SCH	4	BI1011 109			F			
59	E00–681	Microswitch guide bush	1	BI1011 502			M			
60	E00–684	Microswitch kit	1	BI1011 505			M			
61	E00–683	Microswitch box fixing clip	1	BI1011 105			M			
62	E00–682	Screw 2,9x13 mm AB self tapping BZP – RCH	3	BI1011 108			F			

# CONTINUATION SHEET

Sheet 2 of 7

Appliance number(s) 41-583-05 47-583-06

(a)	(b)	(c)	(d)	(e)	(f)	(g)	(h)	(i)	(j)	(k)
Key no.	GC Part Number	Description	No. Off	Makers part number which have a CG number	Maker's old part number which have since been changed	Maker's new part number which DO NOT have a GC number	M B F	Original Supplier	Original Supplier part number	Retail price excl. VAT
63	H20-966	By-pass kit	1	BI1141 505			M			
64	H03-727	Flat gasket 3/8" O.D 15 mm, i.d. 8.5 mm	2	BI1202 105			M			
65	H63-681	By-pass pipe	1	BI1171 106			M			
66	H07-112	Condensing heat exchanger	1	BI1262 122			M			
67	H20-970	O-ring gasket 2,62x17.86	3	BI1262 112			M			
68	E83-108	Condensing heat exchanger connection clip	3	BI1172 101			M			
69	H20-972	Connection spring	2	BI1262 117			F			
70	H20-977	Condensing heat exchanger inlet pipe - upper	1	BI1262 109						
71	169-104	Grommet	4	BI1002 113			M			
72	H20-980	Condensate discharge pipe	1	BI1262 110			M			
73	H20-981	O-ring gasket 1,9X16	2	BI1262 114			M			
74	H20-982	Condensing heat exchanger inlet pipe - lower	1	BI1262 108			M			
75 A	H20-985	Main exchanger M96.28SM/P M96.28SR/P	1	BI1262 102			M			
75 B	H50-420	Main exchanger M96.32SM/P M96.32SR/P	1	BI1262 130			M			
76	E94-723	Overheat thermostat fixing clip	1	BI1182 100			M			
77	E83-101	Overheat thermostat	1	BI1172 105			B	Elth	261 105°C	
78	169-025	O-ring gasket 17,04x3,53	1	KI1043 114			M			
79	E94-737	Main exchanger connection clip	1	BI1182 106			M			
80	H20-986	Automatic air purger valve	1	BI1212 107			M			
81	H20-987	Pump connection fork	1	BI1262 116			M			
82	H20-989	Condensate trap	1	BI1262 118			M			
83	H20-990	Fork	1	BI1262 120			M			
84	H20-945	O-ring gasket 17,04x4,00	5	BI1212 112			M			
85	E83-114	Pump gasket	1	BI1172 113			M			
86	H20-994	Pump (motor)	1	BI1262 119			B			

# CONTINUATION SHEET

Sheet 3 of 7

Appliance number(s) 41-583-05 47-583-06

(a)	(b)	(c)	(d)	(e)	(f)	(g)	(h)	(i)	(j)	(k)
Key no.	GC Part Number	Description	No. Off	Makers part number which have a CG number	Maker's old part number which have since been changed	Maker's new part number which DO NOT have a GC number	M B F	Original Supplier	Original Supplier part number	Retail price excl. VAT
87	H20-993	Pump (complete)	1	BI1262 103			M	Wilo	NFSL12/6-1 HE CRF9-S 82W	R
88	H20-992	Screw 5X16	2	BI1262 115			F			
89	H27-563	Main exchanger outlet pipe	1	BI1262 121			M			
90	169-045	Probe holder	1	BI1105 108			M			
91	H20-997	Expansion vessel connection pipe	1	BI1262 105			M			
92	H27-566	Condensing heat exchanger outlet pipe	1	BI1262 107			M			
93	E83-121	Expansion vessel	1	BI1172 103			B	CIMM Srl - Castello di Godego Italy Zilmet - Italy (alternative)	CP387 6L 13C0000600	
94	169-015	Fork	1	KI1042 101			M			R
95	169-040	Fork	1	KI1042 115			M			R
96	H20-996	O-ring gasket 2,62X9,92	1	BI1262 113			M			
97	169-069	Injectors with gaskets 130 - NG	14	KI1064 505			B	Polidoro		
97 A	E01-156	Injectors with gaskets 75 - LPG	14	BI1003 509			B	Polidoro		
98 A	173-149	Burner M96.28SM/P M96.28SR/P M96.32SM/P M96.32SR/P	1	KI1004 147			B	Polidoro		
99	E83-122	Detection electrode	1	BI1123 102			M			
100	E83-126	Ignition electrode - right	1	BI1123 103			M			
101	E83-127	Ignition electrode - left	1	BI1123 101			M			
102	169-125	Grommet	1	BI1002 115			M			
103	409-736	Tapping screw 3,5x9,5 recessed pan head	28	BI1013 115			F			
104	409-531	Taptite screw M4x8 Recessed pan head Hardened steel Bright Zinc Plated BS3382 Clear passivated and lanolin Dipped	4	BI1013 111			F			
105	E01-157	Screw self tapping 3,9x9,5 mm type AB Recessed Pan Head Bright Zinc Plated	2	BI1013 112			F			



# CONTINUATION SHEET

Sheet 4 of 7

Appliance number(s) 41-583-05 47-583-06

(a)	(b)	(c)	(d)	(e)	(f)	(g)	(h)	(i)	(j)	(k)
Key no.	GC Part Number	Description	No. Off	Makers part number which have a CG number	Maker's old part number which have since been changed	Maker's new part number which DO NOT have a GC number	M B F	Original Supplier	Original Supplier part number	Retail price excl. VAT
106	H32-602	Gas valve	1	BI1243 100			B	Honeywell	VK4105M	
107	H32-558	Gas pipe to the manifold	1	BI1243 101			M			
108	409-722	Tapping Screw ISO No8 B 4,2x9,5 Recessed Pan Head	83	BI1013 110			F			
		Hardened Steel BS4174 Bright Zinc plate BS1706 Clear								
		Passivated								
109 B	E83-133	Gas manifold with injectors NG M96.28SM/P M96.28SR/P	1	BI1183 105			B	Polidoro		
		M96.32SM/P M96.32SR/P								
109 C	H21-023	Gas manifold with injectors LPG M96.28SM/P M96.28SR/P	1	BI1213 102			B	Polidoro		
		M96.32SM/P M96.32SR/P								
110	H21-025	C.h. connection pipe	2	BI1124 100			M			
111	E83-136	Tap 3/4" - c.h.	2	BI1084 105			B			
113	E83-138	Tap 3/4" - gas	1	BI1084 100			B			
116	E05-387	Pipe 22 mm dia gas	1	BI1014 112			M			
118	H32-597	4 poles terminal block	1	BI1665 102			B	Odoardo Korner	OK 433-PLP-SPF	
119	409-727	Screw 3,5x16 mm self tap RPH	4	BI1165 101			F			
120	E83-145	Temperature-pressure gauge	1	BI1475 108			M			
121	H63-601	Cover panel	1	BI1715 110			M			
123	E94-887	Knob	2	BI1535 101			M			
124	E83-149	Shaft	2	BI1475 105			M			
125	E83-150	Control panel plug	1	BI1475 110			M			
126	H63-682	Control panel box M96.28SR/P M96.32SR/P	1	BI1715 109			M			
127	E83-152	Cable holder	10	KI1066 208			B	Fastpoint S.r.l.	1207.BB01 XS	
		Replacement for discontinued KI1066 102								
128	E83-153	Terminal block	2	BI1475 109			B	Elettrogibi	PA27	
								Odoardo Korner (alternative)	OK-433-FV	

# CONTINUATION SHEET

Sheet 5 of 7

Appliance number(s) 41-583-05 47-583-06

(a)	(b)	(c)	(d)	(e)	(f)	(g)	(h)	(i)	(j)	(k)
Key no.	GC Part Number	Description	No. Off	Makers part number which have a CG number	Maker's old part number which have since been changed	Maker's new part number which DO NOT have a GC number	M B F	Original Supplier	Original Supplier part number	Retail price excl. VAT
129	H44-169	Electronic control – ignition p.c.b.	1	BI1715 105			M			
130	H44-170	Fuse 3,15AF	2	BI1295 108			B			
131	E83-155	Service panel cover	1	BI1475 111			M			
132	H21-038	Control panel cover	1	BI1605 101			M			
133	H21-039	External controls cover	1	BI1605 102			M			
134	409-902	Screw 3,5X9,5 mm self tap RPH stainless steel	2	BI1615 104			F			
135	H21-042	Detection to trap wiring	1	BI1615 101			M			
136	H21-043	Trap to earth wiring	1	BI1615 102			M			
137	H32-567	Fan cable	1	BI1765 100			M			
138	H32-568	Flame detection electrode cable	1	BI1765 101			M			
139	H32-570	Ignition electrode cable	2	BI1765 102			M			
141	H63-683	Pump-gas valve cable	1	BI1765 104			M			
142	H50-439	Flow switch, temp. probe and modulator cable	1	BI1765 106			M			
143	H39-041	Power supply and external control cable	1	BI1675 106			M			
144	H32-583	Earth wiring	1	BI1765 108			M			
145	402-225	Machine Screw M5x10 Recessed Pan Head Mild steel	1	BI1035 109			F			
		BS4183 Bright zinc plate BS3382 Clear Passivated								
146	164-133	Toothed lock washer external 5,3x10 mm stainless	2	BI1035 110			F			
147	404-609	Full nut M5 Hexagon Steel grade 8 BS3692 Bright zinc	1	BI1035 111			F			
		plate BS3382 clear passivated								
148	169-110	Flue pipe gasket	1	BI1016 104			M			
149	H21-045	Flue outlet gasket	1	BI1406 112			M			
150	169-127	Air pressure switch M96.24SM/P M96.32SM/P	1	KI1267 103			B	Yamatake – Honeywell	C6065 0,88 mbar	
		M96.32SR/P								
150 A	H08-605	Air pressure switch M96.28SM/P M96.28SR/P	1	BI1376 104			B	Yamatake – Honeywell	C6065 1,38 mbar	

# CONTINUATION SHEET

Sheet 6 of 7

Appliance number(s) 41-583-05 47-583-06

(a)	(b)	(c)	(d)	(e)	(f)	(g)	(h)	(i)	(j)	(k)
Key no.	GC Part Number	Description	No. Off	Makers part number which have a CG number	Maker's old part number which have since been changed	Maker's new part number which DO NOT have a GC number	M B F	Original Supplier	Original Supplier part number	Retail price excl. VAT
151	E83-188	Venturi device tube	1	BI1256 101			M			
152	E05-424	Air switch pressure test point	2	BI1036 101			M			
153	E01-187	Flue pressure switch tube	1	BI1016 107			M			
154	H03-695	Venturi	1	BI1366 100			M			
155	E01-184	Gasket - Air intake twin kit	1	BI1016 101			M			
156	H21-070	Air restrictor d. 50	1	BI1406 115			M			
156 A	H21-071	Air restrictor d. 55	1	BI1406 116			M			
157	H21-047	Fan outlet gasket	1	BI1406 113			M			
158 A	H21-049	Fan M96.28SM/P M96.28SR/P M96.32SM/P M96.32SR/P	1	BI1406 101			B	FIME	GR 02440 60W	
159 A	H07-877	Flue hood M96.28SM/P M96.28SR/P M96.32SM/P	1	BI1406 122			M			
		M96.32SR/P								
160	H32-598	Flue temperature probe NTC	1	BI1342 100			M			
161	E83-178	Combustion chamber side panel	2	BI1326 100			M			
162 A	H07-881	Combustion chamber front panel M96.28SM/P	1	BI1406 119			M			
		M96.28SR/P M96.32SM/P M96.32SR/P								
163	H21-054	Air deflector - right	1	BI1406 114			M			
164	H21-052	Side case panel	2	BI1406 106			M			
165	H21-057	Front case panel	1	BI1406 107			M			
166	E69-243	Window (glass + rubber frame)	1	BI1206 118			M			
167	409-747	Screw 4,8x13 mm AB self tapping RPH BZP	4	BI1336 114			F			
168	H21-059	Sealed chamber lid	1	BI1406 105			M			
169	H21-060	Sealed chamber gaskets kit	1	BI1406 500			M			
170 A	E83-181	Combustion chamber rear panel M96.28SM/P	1	BI1326 108			M			
		M96.28SR/P M96.32SM/P M96.32SR/P								
171	H07-883	Fan holder bracket	1	BI1406 120			M			

